

Max. cutting capacity (with 255/ 260mm saw blade)

Miter saw (height x width)				Table saw (height)	
Cross Cut 	Miter Cut (left & right) 	Bevel Cut (left & right) 	Compound Cut 	Rip Cut 	
69 mm x 130 mm (2-3/4" x 5-1/8") ^{*1} 93 mm x 95 mm (3-5/8" x 3-3/4") ^{*2}	Miter 45° left / right 69 mm x 85 mm (2-3/4" x 3-3/8") ^{*1} 93 mm x 67 mm (3-5/8" x 2-5/8") ^{*2}	Bevel 45° left 35 mm x 130 mm (1-3/8" x 5-1/8") ^{*1} 53 mm x 95 mm (2-1/16" x 3-3/4") ^{*2}	Bevel 45° left Miter 45° left 35 mm x 65 mm (1-3/8" x 2-9/16") ^{*1} 49 mm x 42 mm (1-15/16" x 1-5/8") ^{*2}	Bevel 45° left Miter 45° right 35 mm x 91 mm (1-3/8" x 3-5/8") ^{*1} 49 mm x 67 mm (1-15/16" x 2-5/8") ^{*2}	40 mm (1-9/16")

*1: When the workpiece is positioned to maximum horizontal cutting width.
*2: When the workpiece is positioned to maximum vertical cutting height.

Accessories

TCT saw blade for table top miter saw



★★★★★



Outer (mm)	No. teeth	Kerf (mm)	Hole (mm)	Ring (mm)	Sales pkg q'ty	Part No.
260	45	2.15	25.4	15.88	1	E-27779
	60	2.15	25.4	-	1	E-29555
	80	2.15	25.4	-	1	E-29583



Charging Time

		DC40RA 	DC40RC
^{**} BL4020 191L47-0	2.0Ah	22 min	30 min
^{**} BL4025 191B36-3	2.5Ah	28 min	38 min
^{**} BL4040/F 1910N6-8	4.0Ah	45 min	67 min
^{**} BL4050F 191L47-8	5.0Ah	50 min	85 min
^{**} BL4080F/H 191X65-8/ 191G74-4	8.0Ah	76 min	170 min

^{**} Recommended battery

Cordless Table Top Miter Saw

LH001G

Brake	Wheel diameter	255 mm (10"), 260 mm (10-1/4")
Anti - Restart Function	No load speed	4,300 min ⁻¹
Constant Speed	Miter saw specifications / Bevel range	0° - Left: 45°
Soft Start	Miter saw specifications / Miter range	Left: 45° / Right: 52°
Bevel Cutting 45° Left	Miter saw specifications / Cutting capacity	Bevel 0° / Miter 0°: 69 x 130 mm (2-3/4 x 5-1/8"), 93 x 95 mm (3-5/8 x 3-3/4") Bevel 0° / Miter 45°LR: 69 x 85 mm (2-3/4 x 3-3/8"), 93 x 67 mm (3-5/8 x 2-5/8")
LED Marker	Sound pressure level	91 dB(A) (EN62841-3-11)
Dust Collection	Sound power level	103 dB(A) (EN62841-3-11)
Built-in Job Light	Uncertainty (K) for Noise	3 dB(A) (EN62841-3-11)
	Table saw, Max cutting capacity	40 mm (1-9/16")
	Table saw, Table size	260 x 415 mm (10-1/4 x 16-3/8")
	Dimensions (L x W x H) (Battery)	545 x 476 x 585 mm (21-1/2 x 18-3/4 x 23") (BL4040)
	Net weight (Battery)	14.8 - 16.0 kg (32.6 - 35.3 lbs.) (BL4020 - BL4080F)

Standard Equipment : TCT saw blade, Rip fence, Push stick, Blade cover, Hex wrench, Ring, Set plate, Vertical vise, Holder, Dust bag

The net weight value includes the lightest and heaviest combination of the attachment(s) for normal and safe use and battery cartridge(s) which are specified in the instruction manual.
Items of standard equipment and specifications may vary by country or area.

Makita Singapore Pte Ltd

7, Changi South Street 3, Singapore 486348
Phone : +65-6546-8700 Fax : +65-6546-8711
Email : msgproductteam@makita.com.sg
Website : www.makita.com.sg
Facebook : www.facebook.com/MakitaSG



MakitaSG



VISIT OUR WEBSITE



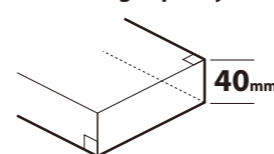
DOWNLOAD LEAFLET

PRINTED IN SINGAPORE



**Miter saw and Table saw in one tool
with cordless convenience**

Max cutting capacity



Miter saw

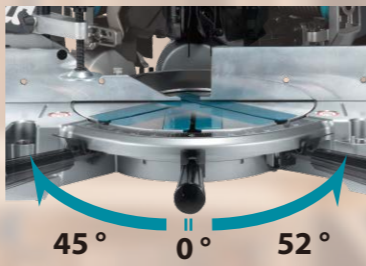
Work amount on a full battery charge

122 cuts

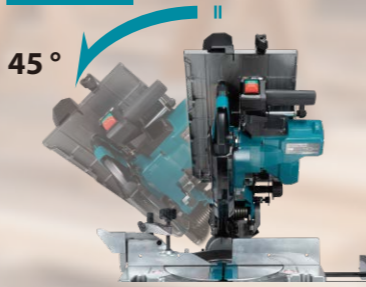
Cut 62 x 130 mm Melapi with BL4040 battery



Miter cut



Bevel cut



XGT 40V L⁺ Li-ion max + BL MOTOR

With an XGT battery, BL motor, and EFFICUT blade, the tool delivers power and efficiency that exceed those of corded models equipped with a general-purpose blade.



Lightweight at only 12.5kg (tool only)



Work efficiency*

LH001G (EFFICUT blade)

285% (3.2 sec)

Our AC model (General-purpose blade)

100%

*Test condition: Table saw mode, Test material: Melapi (40 x 500mm)



Auto-start Wireless System

Connects to a compatible vacuum cleaner with Bluetooth. The vacuum cleaner automatically runs while the switch is on.

Table saw

Work amount on a full battery charge

60 cuts

Cut 40 x 500mm Melapi with BL4040 battery



Rip fence secured at both ends

Minimizes bending when the workpiece is pressed against it, enhancing cutting accuracy in table saw mode.

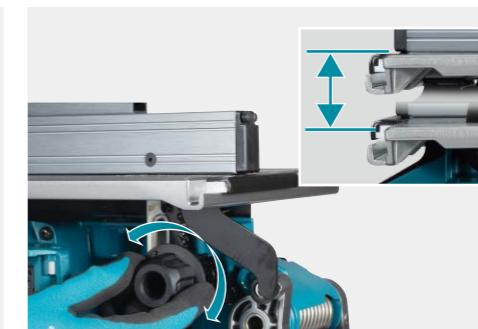
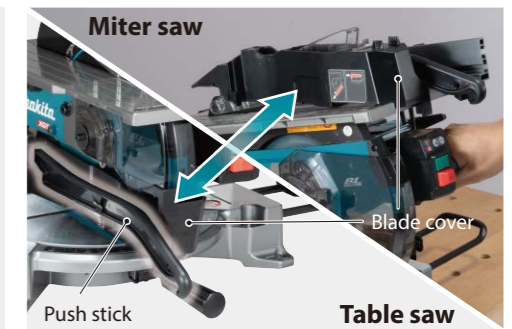


Table height adjustment

A rack-and-pinion mechanism allows easy fine adjustment of the table height by simply turning the knob.



Blade cover for both modes

The blade cover is used in Miter saw and Table saw modes. The push stick can be stored on the side of the blade cover to help avoid loss.



Enhanced dust-collection efficiency

A redesigned airflow path minimizes the dust ejected from the blade cover, enhancing dust-collection efficiency in table saw mode.



Vacuum cleaner activation switch

The switch that activates only the vacuum cleaner via AWS makes it easier to clean the tool after use.



LED job light with cut line guide

An LED light casts the blade's shadow on the workpiece, allowing the blade to be aligned with the marked cut line.