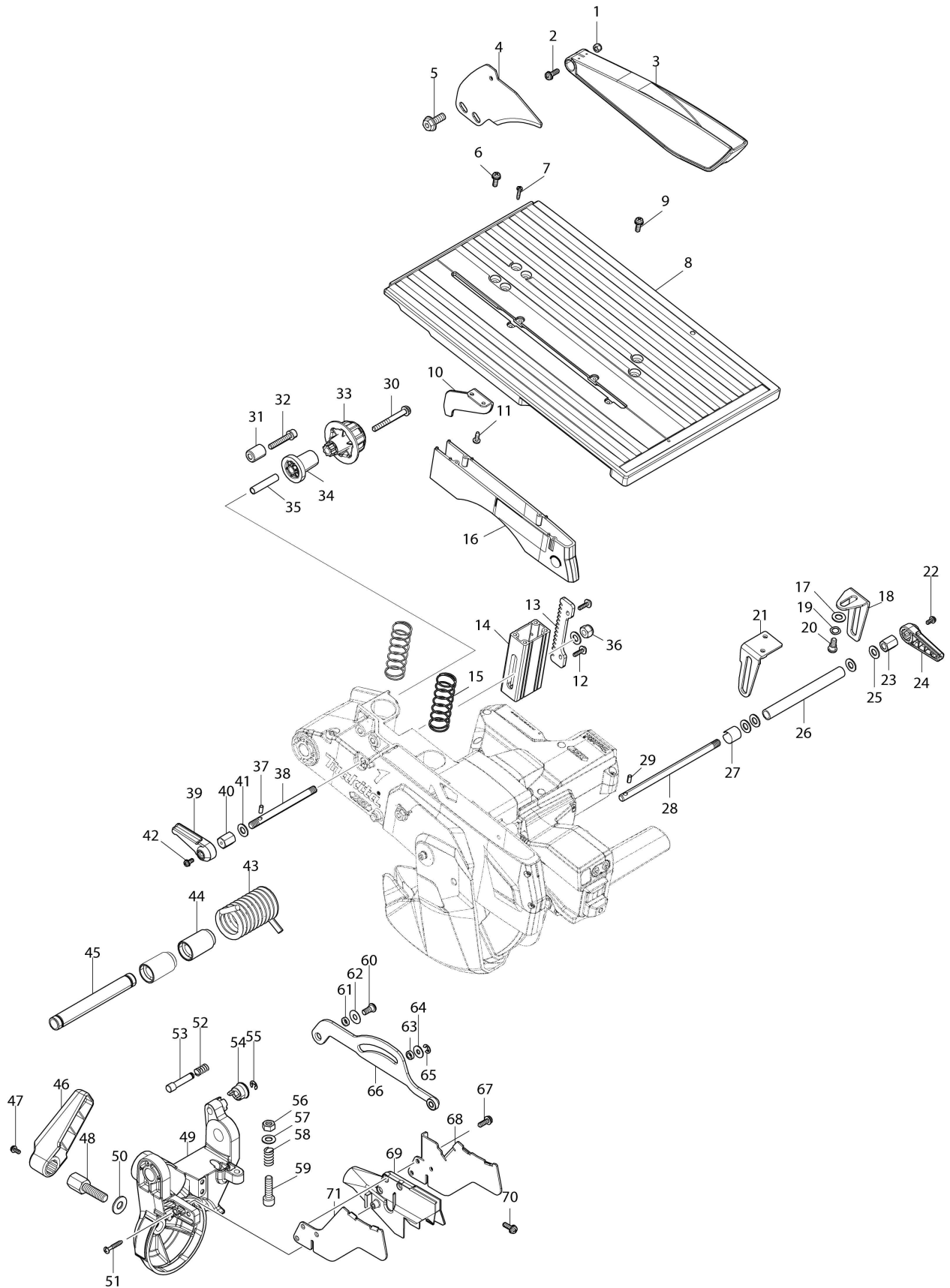
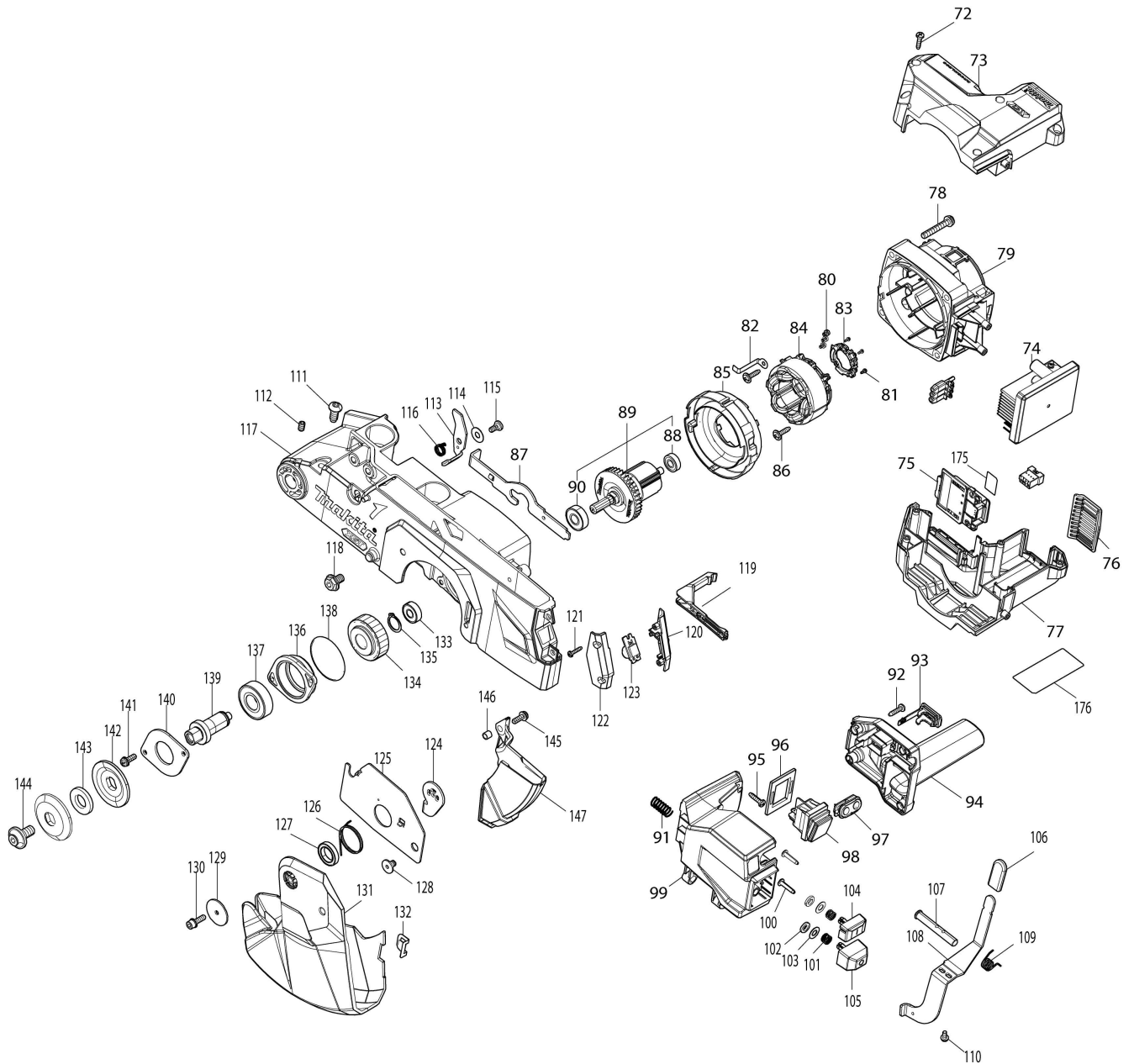


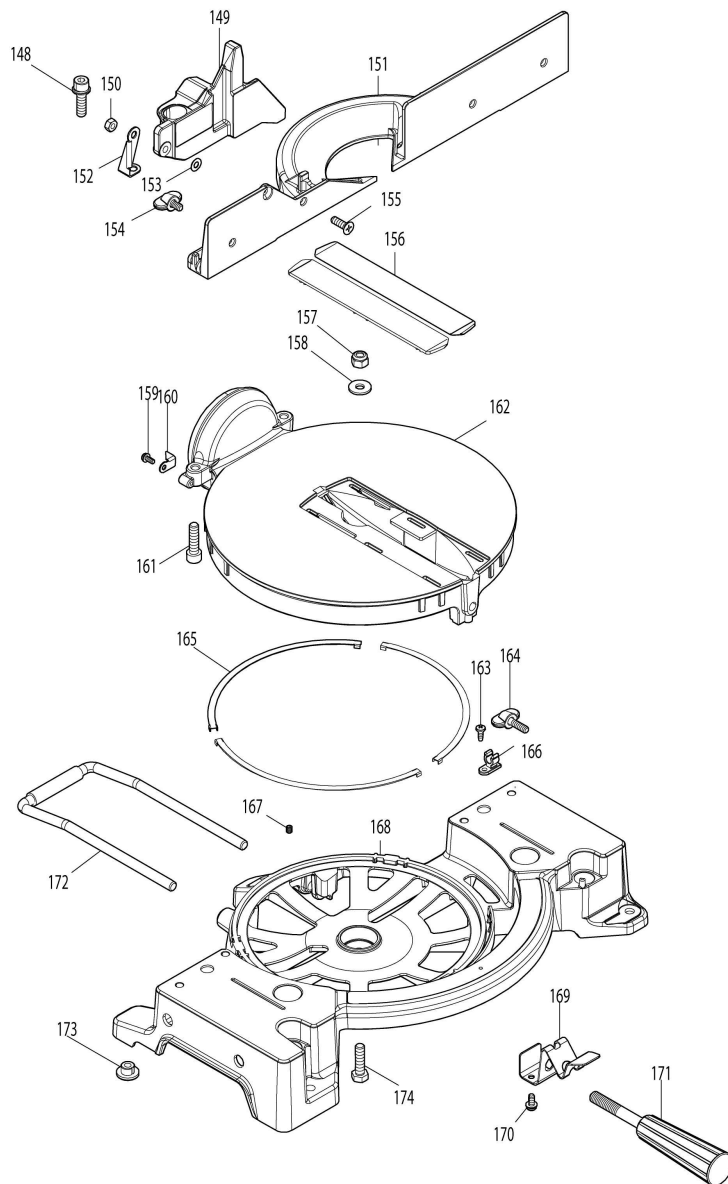
(SG) LH001G / Cordless Table Top Miter Saw



(SG) LH001G / Cordless Table Top Miter Saw



(SG) LH001G / Cordless Table Top Miter Saw



LH001G / Cordless Table Top Miter Saw

Item	Sub	Parts No.	Parts Description	Qty	I/C	E/C No.	Close No.	Remark
001		252103-8	Hex. lock nut M5-8	1				
002		911223-4	Pan head screw M5X16 WR	1				
003		1412K6-9	COVER COMPLETE	1				
	C10	817283-3	Caution label	1				
	C20	890408-4	Caution label	1				
004		345423-8	Riving knife	1				
005		266283-4	Hex. socket hex. head flange bolt ...	2				
006		911223-4	Pan head screw M5X16 WR	4				
007		266130-9	Binding head tapping screw 3X16	4				
008		1412K4-3	TABLE COMPLETE	1				
009		911223-4	Pan head screw M5X16 WR	2				
010		347E72-7	GUARD PLATE	1				
011		266026-4	Binding head tapping screw 4X12	2				
012		911129-6	Pan head screw M4X16 WG	2				
013		347E59-9	RACK PLATE	1				
014		327G16-5	TABLE SUPPORT	1				
015		232973-1	COMPRESSION SPRING 21	2				
016		1412K8-5	UPPER GUARD COMPLETE	1				
	C10	8024V4-4	Caution label	1				
	C20	810063-6	Caution label	1				
017		941202-8	Flat washer 8	1				
018		347E60-4	SUPPORT PLATE B	1				
019		253948-7	Wave washer 8	1				
020		251267-5	Pan head shoulder screw M6	1				
021		162E33-4	SUPPORT PLATE A	1				
022		911113-1	Pan head screw M4X10 WR	1				
023		252362-4	HEX.NUT M8-13	1				
024		271488-3	LEVER 54	1				
025		941202-8	Flat washer 8	4				
026		331683-8	Pipe 9-126	1				
027		347E61-2	COLLER	1				
028		327G14-9	FRONT LOCK BOLT M8	1				
029		256226-4	Pin 4	1				
030		911378-5	Pan head screw M6X55 WR	1				
031		257A66-9	SLEEVE 7	1				
032		922356-0	Hex. socket head bolt M6X35 W	1				
033		273043-7	GRIP 42	1				
034		227C54-2	SPUR GEAR 15	1				
035		257734-8	Sleeve 6	1				
036		252105-4	Hex. lock nut M8-13	1				
037		256226-4	Pin 4	1				
038		327G15-7	REAR LOCK BOLT M8	1				
039		271488-3	LEVER 54	1				
040		252362-4	HEX.NUT M8-13	1				
041		941202-8	Flat washer 8	2				
042		911113-1	Pan head screw M4X10 WR	1				
043		232974-9	TORSION SPRING 28	1				
044		4134D6-5	SLEEVE 17-40	2				
045		327G12-3	ROD 16	1				
046		416006-2	Lever 100	1				
047		911113-1	Pan head screw M4X10 WR	1				
048		265437-0	Hex. head bolt M10	1				
049		1412K2-7	ARM COMPLETE	1				
050		253024-7	Flat washer 10	1				
051		266374-1	Binding head tapping screw 4X25	1				
052		234316-3	Compression spring 7	1				
053		327702-6	Lock pin 7-9	1				
054		271428-1	Knob 20	1				
055		961018-5	Stop ring (EXT) E-5	1				
056		931401-0	Hex. nut M8	1				
057		941202-8	Flat washer 8	1				
058		231025-5	Compression spring 8	1				
059		265681-9	Hex. socket head bolt M8X30	1				
060		265984-1	Hex. socket button head bolt M6X14	1				
061		257162-7	Ring 7	1				

Interchange
O : Yes
X : No
< : the new part can be substituted for the current.
> : the current part can be substituted for the new.
S : Interchangeable as a set.

SG	SINGAPORE
-----------	------------------

LH001G / Cordless Table Top Miter Saw

Item	Sub	Parts No.	Parts Description	Qty	I/C	E/C No.	Close No.	Remark
062		253823-7	Flat washer 7	1				
063		257163-5	Ring 6	1				
064		253804-1	Flat washer 6	1				
065		961018-5	Stop ring (EXT) E-5	1				
066		1412K0-1	LINK PLATE COMPLETE	1				
067		911223-4	Pan head screw M5X16 WR	3				
068		347E55-7	REAR GUARD R	1				
069		4134D7-3	REAR GUARD HOLDER	1				
070		911223-4	Pan head screw M5X16 WR	2				
071		347E54-9	REAR GUARD L	1				
072		265995-6	Binding head tapping screw 4X18	5				
073		1831X8-4	BATTERY HOUSING SET	1				
	C10	263005-3	Rubber pin 6	2				
	D10		INC. 77					
074		620591-5	CONTROLLER	1				
075		632P65-6	Terminal unit	1				
076		4134E4-6	INLET PLATE	1				
077		1831X8-4	BATTERY HOUSING SET	1				
	C10	263005-3	Rubber pin 6	2				
	D10		INC. 73					
078		911363-8	Pan head screw M6X40 WR	4				
079		4134D2-3	MOTOR HOUSING	1				
080		652031-1	Pan head screw M3X6	3				
081		652119-7	Pan head screw M2X6	3				
083		620P30-7	Sensor unit	1				
084		629C70-4	Stator	1				
085		4134D5-7	BAFFLE PLATE	1				
086		251530-6	Binding head tapping screw 4X18	2				
087		347E57-3	SHAFT LOCK	1				
088		210169-4	Ball bearing 607LLB	1				
089		519932-5	ROTOR ASS'Y	1				
	D10		INC. 88,90					
090		210332-9	Ball bearing 600DDW	1				
091		231297-2	Compression spring 9	1				
092		265995-6	Binding head tapping screw 4X18	4				
093		140G30-2	Cap complete	1				
	C10	213A05-9	O-ring 16	1				
094		1412K5-1	HANDLE COMPLETE	1				
095		265995-6	Binding head tapping screw 4X18	4				
096		4134E3-8	SWITCH HOLDER	1				
097		620T56-3	SWITCH CIRCUIT COMPLETE	1				
098		650082-8	SWITCH DRH-03S-DDK32-03R	1				
099		1412K9-3	SWITCH BOX COMPLETE	1				
100		4134E7-0	PIN	2				
101		231025-5	Compression spring 8	2				
102		443103-1	Felt ring 6	2				
103		253186-1	Flat washer 7	2				
104		4134E2-0	SWITCH BUTTON ON	1				
105		418617-9	Switch button off	1				
106		421589-9	Cap	1				
107		324496-4	Lock pin 8	1				
108		347E58-1	LOCK LEVER	1				
109		231674-8	Torsion spring 9	1				
110		911113-1	Pan head screw M4X10 WR	2				
111		265E73-2	H.S.BUTTON HEAD BOLT M8X19	1				
112		251961-9	Hex. socket set screw (flat point) M- ...	1				
113		346605-5	Cam plate	1				
114		253823-7	Flat washer 7	1				
115		265011-4	Binding head shoulder screw M5	1				
116		231684-5	Torsion spring 11	1				
117		137380-2	BLADE CASE ASSEMBLY	1				
	C10	263005-3	Rubber pin 6	1				
118		265682-7	Hex. socket hex. head bolt M8X12	1				
119		4134E1-2	LEAD COVER	1				
120		4134E0-4	LED COVER R	1				

Interchange
O : Yes
X : No
< : the new part can be substituted for the current.
> : the current part can be substituted for the new.
S : Interchangeable as a set.

LH001G / Cordless Table Top Miter Saw

Item	Sub	Parts No.	Parts Description	Qty	I/C	E/C No.	Close No.	Remark
121		266130-9	Binding head tapping screw 3X16	2				
122		4134D9-9	LED COVER L	1				
123		620S92-3	LED CIRCUIT	1				
124		347E62-0	CENTER PLATE	1				
125		347E56-5	CENTER COVER	1				
126		232311-7	Torsion spring 30	1				
127		210322-2	Ball bearing 6803DDW	1				
128		265985-9	Hex. socket shoulder head bolt M6X9	1				
129		267136-0	Flat washer 5	1				
130		922228-9	Hex. socket head bolt M5X18 WR	1				
131		4134E5-4	SAFETY COVER	1				
132		347E63-8	HOOK PLATE	1				
133		211031-6	Ball bearing 608LLB	1				
134		227C53-4	HELICAL GEAR 45	1				
135		961057-5	Retaining ring (EXT) S-17	1				
136		316821-3	Bearing box	1				
137		211278-2	Ball bearing 6203DDW	1				
138		213621-1	O-ring 46	1				
139		327G13-1	SPINDLE	1				
140		285685-5	Bearing retainer 64	1				
141		911223-4	Pan head screw M5X16 WR	2				
142		224432-9	Outer flange 53	2				
143		257060-5	Ring 15.88	1				
144		266755-9	Hex. socket head flange bolt M10X20	1				
145		911223-4	Pan head screw M5X16 WR	1				
146		257539-6	Sleeve 5	1				
147		4134D8-1	FRONT GUARD	1				
148		922453-2	Hex. socket head bolt M8X30 WR	4				
149		1412K7-7	SUB FENCE COMPLETE	1				
	C10	810967-2	Caution label	1				
150		252268-6	Hex. nut M6	1				
151		312J61-1	GUIDE FENCE	1				
152		344476-4	Sub fence plate	1				
153		253715-0	Flat washer 6	1				
154		251887-5	Thumb screw M6X10	1				
155		265031-8	Countersunk head screw M6X20	1				
156		4134E6-2	KERF BOARD	2				
157		252105-4	Hex. lock nut M8-13	1				
158		253762-1	Flat washer 8	1				
159		911113-1	Pan head screw M4X10 WR	1				
160		344385-7	Pointer	1				
161		265681-9	Hex. socket head bolt M8X30	2				
162		312J60-3	TURN BASE	1				
163		266026-4	Binding head tapping screw 4X12	1				
164		265708-5	Thumb screw M6X20	1				
165		343799-7	Slide plate	3				
166		416536-3	Wrench holder	1				
167		266264-8	Hex. socket set screw (flat point) M- ...	1				
168		1412K1-9	BASE COMPLETE	1				
	C10	817283-3	Caution label	1				
169		344381-5	Knock spring	1				
170		911213-7	Pan head screw M5X12 WR	2				
171		273495-2	Grip 32	1				
172		162E48-1	HOLDER 90	1				
173		286212-1	Cap 20	4				
174		921452-1	Hex. head bolt M8X30	1				
175		8154B8-7	LH001G SERIAL NO. LABEL	1				
176		8154B4-5	LH001G NAME PLATE	1				
A01		122K39-0	RIP FENCE ASSEMBLY	1				
A02		122K40-5	BLADE COVER ASSEMBLY	1				
A03		345709-0	Set plate	1				
A04		251887-5	Thumb screw M6X10	1				
A05		122536-0	Vise assembly	1				
	C10	251370-2	Pan head shoulder screw M5X15.5	1				
	C20	251887-5	Thumb screw M6X10	1				
				Interchange O : Yes X : No < : the new part can be substituted for the current. > : the current part can be substituted for the new. S : Interchangeable as a set.				

