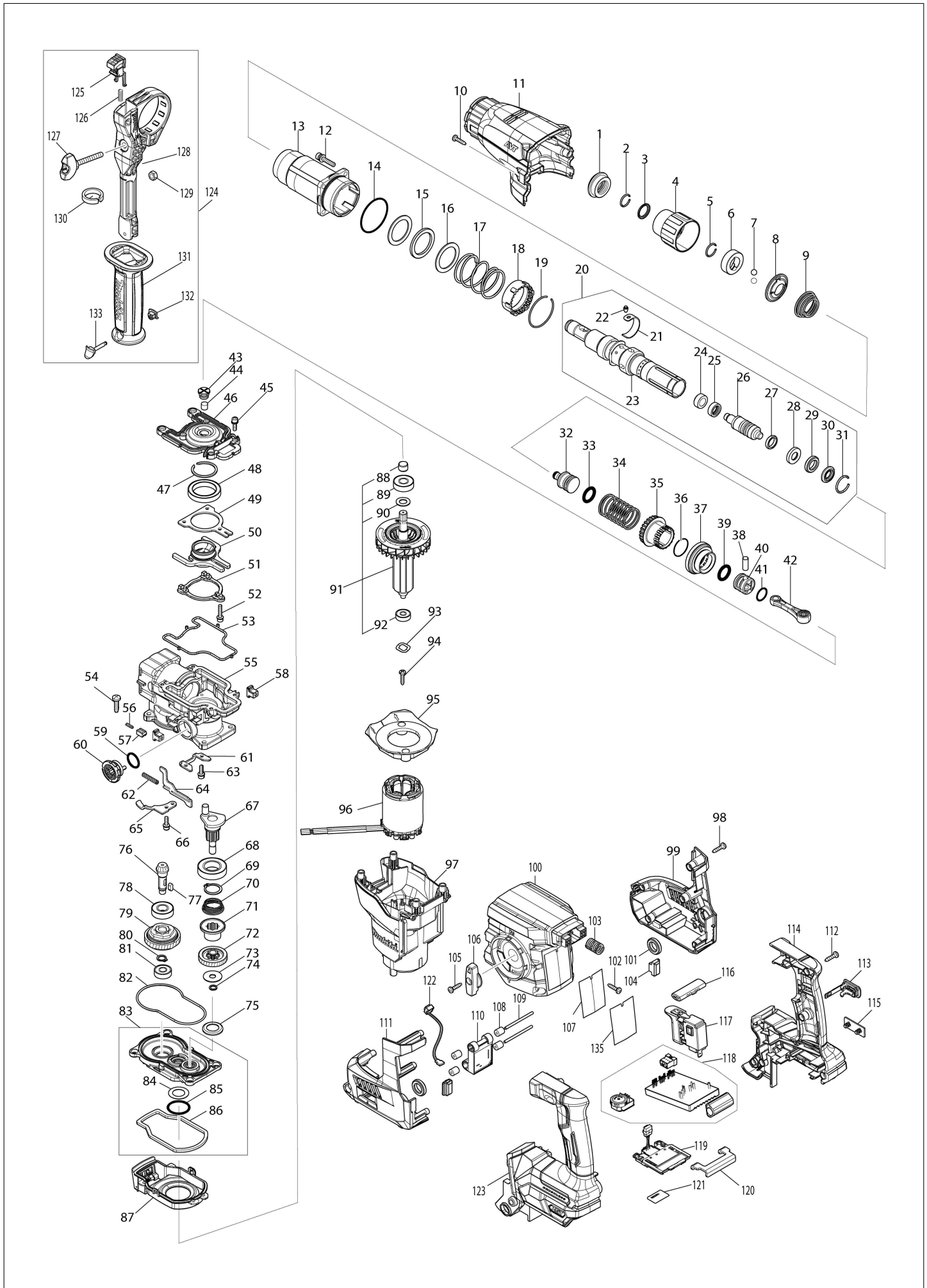


# (SG) HR008G / Cordless Combination Hammer



<b>SG</b>	<b>SINGAPORE</b>
-----------	------------------

## HR008G / Cordless Combination Hammer

Item	Sub	Parts No.	Parts Description	Qty	I/C	E/C No.	Close No.	Remark
001		286288-8	Cap 35	1				
002		233989-9	Ring spring 14	1				
003		346834-0	Washer 16	1				
004		459685-3	Chuck cover	1				
005		233992-0	Ring spring 15	1				
006		327269-4	Ring 17	1				
007		216022-2	Steel ball 7.0	2				
008		347944-6	Guide washer	1				
009		232503-8	Conical compression spring 21-34	1				
010		266326-2	Binding head tapping screw 4X18	2				
011		459167-5	Barrel cover	1				
012		266793-1	Hex. socket head bolt M5X25 WR	4				
013		140J35-0	Barrel complete	1				
	C10	213636-8	Oil seal 25	1				
014		213620-3	O-ring 46	1				
015		422493-5	Rubber ring 31	1				
016		267354-0	Flat washer 31	2				
017		232496-9	Compression spring 37	1				
018		419986-1	Lock sleeve	1				
019		233952-2	Ring spring 41	1				
020		136312-6	Tool holder assembly	1				
	D10		INC. 21-31					
021		347501-0	Leaf spring	1				
022		256598-7	Shoulder pin 4	1				
023		327277-5	Tool holder	1				
024		327515-5	Sleeve 11	1				
025		327516-3	Ring 11	1				
026		140S89-1	Impact bolt A complete	1				
027		213880-7	Seal ring 12	1				
028		327268-6	Ring 11	1				
029		424267-0	Cushion ring 12	1				
030		327271-7	Washer 11	1				
031		231987-7	Ring spring 21	1				
032		327266-0	Striker	1				
033		213881-5	O-ring 16	1				
034		232497-7	Compression spring 27	1				
035		327276-7	Driving sleeve	1				
036		232501-2	Ring spring 24	1				
037		226868-8	Spiral bevel gear 31	1				
038		268122-4	Pin 7	1				
039		213881-5	O-ring 16	1				
040		319807-6	Piston	1				
041		213226-7	O-ring 16	1				
042		140J36-8	Connecting rod complete	1				
043		459180-3	Filter cap	1				
044		443153-6	Felt	1				
045		922123-3	Hex. socket head bolt M4X14 WR	4				
046		319802-6	Crank cap	1				
047		961140-8	Retaining ring (EXT) WR-30	1				
048		211423-9	Ball bearing 6806DDW	1				
049		347500-2	Bearing retainer B	1				
050		140J31-8	Counter weight complete	1				
051		310927-9	Weight retainer	1				
052		266948-8	Hex. socket head bolt M4X20 WR	3				
053		459182-9	Seal ring B	1				
054		266021-4	Binding head tapping screw 5X20	4				
055		140J33-4	Crank housing complete	1				
056		232499-3	Compression spring 2	1				
057		310929-5	Push cone	1				
058		455165-7	Fix guide	2				
059		213262-3	O-ring 18	1				
060		459175-6	Link lever	1				
061		347497-5	Bearing retainer A	1				
062		234019-9	Compression spring 4	1				
063		922123-3	Hex. socket head bolt M4X14 WR	2				

B:HR008GM201(H)

Interchange

O: Yes

X: No

<: the new part can be substituted for the current.

>: the current part can be substituted for the new.

S: Interchangeable as a set.

<b>SG</b>	<b>SINGAPORE</b>
-----------	------------------

## HR008G / Cordless Combination Hammer

Item	Sub	Parts No.	Parts Description	Qty	I/C	E/C No.	Close No.	Remark
064		345814-3	Link plate	1				
065		347498-3	Guide plate	1				
066		922123-3	Hex. socket head bolt M4X14 WR	1				
067		140M22-7	Crankshaft complete	1				
068		211323-3	Ball bearing 6904LLU	1				
069		961060-6	Retaining ring (EXT) S-20	1				
070		232498-5	Conical compression spring 21-26	1				
071		327273-3	Clutch	1				
072		226869-6	Helical gear 31	1				
073		267353-2	Flat washer 8	1				
074		961034-7	Retaining ring (EXT) WR-8	1				
075		345818-5	Cup washer 16	1				
076		226867-0	Spiral bevel gear 8	1				
077		254239-9	Key 4	1				
078		211131-2	Ball bearing 6001DDW	1				
079		125386-2	Torque limiter assembly	1				
080		961006-2	Retaining ring (EXT) S-10	1				
081		210005-4	Ball bearing 608DDW	1				
082		459181-1	Seal ring A	1				
083		136330-4	Gear housing assembly	1				
	D10		INC. 84-86					
084		253749-3	Flat washer 16	1				
085		213445-5	O-ring 26	1				
086		459183-7	Sponge sheet	1				
087		140J32-6	Air duct complete	1				
088		331775-3	Sleeve 10	1				
089		211097-6	Ball bearing 6000LLB	1				
090		253828-7	Flat washer 10	1				
091		519722-6	Rotor assembly	1				
	D10		INC. 88-90,92					
092		210022-4	Ball bearing 626DDW	1				
093		253555-6	Wave washer 12	1				
094		266326-2	Binding head tapping screw 4X18	2				
095		413F13-2	Baffle plate	1				
096		629A96-4	Stator	1				
097		141H81-4	Motor housing complete	1				
	C10	263027-3	Rubber pin 4	1				
098		266326-2	Binding head tapping screw 4X18	5				
099		183V77-3	Housing set	1				
	D10		INC. 111					
100		413F12-4	Handle base	1				
101		459184-5	Cushion ring 12	2				
102		266326-2	Binding head tapping screw 4X18	4				
103		232500-4	Compression spring 10	1				
104		422863-8	Battery cushion	2				
105		266326-2	Binding head tapping screw 4X18	1				
106		459174-8	Change lever	1				
107		8119V9-3	Name plate HR008G	1				
108		422472-3	Sponge sleeve 3	4				
109		256886-2	Rod 3	2				
110		620J19-9	Accelerometer circuit	1				
111		183V77-3	Housing set	1				
	D10		INC. 99					
112		266326-2	Binding head tapping screw 4X18	6				
113		140G30-2	Cap complete	1				
	C10	213A05-9	O-ring 16	1				
114		183V96-9	Handle set	1				
	C10	263005-3	Rubber pin 6	2				
	C20	8005T5-8	XGT logo label	1				
	D10		INC. 123					
115		459753-2	Cap	1				
116		453124-5	F/R change lever	1				
117		651439-6	Switch C3JR-4B-2	1				
118		620J18-1	Controller	1				
119		632P65-6	Terminal unit	1				

B:HR008GM201(H)

Interchange  
 O : Yes  
 X : No  
 < : the new part can be substituted for the current.  
 > : the current part can be substituted for the new.  
 S : Interchangeable as a set.

