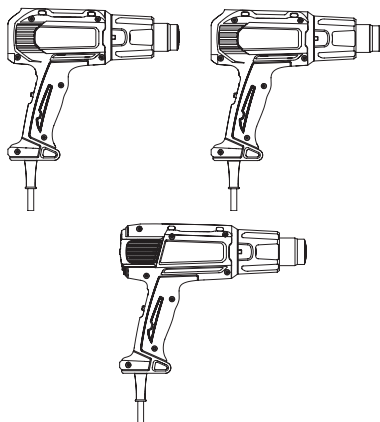


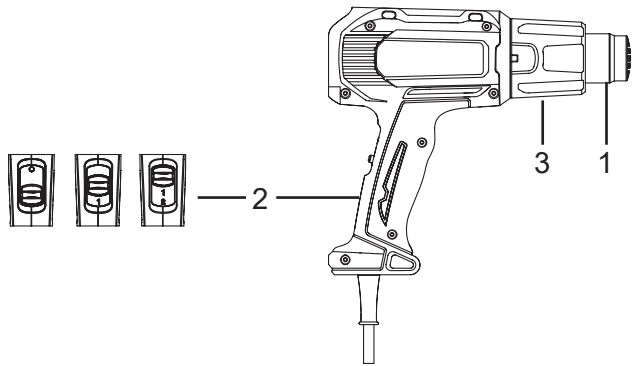


EN	Heat Gun	INSTRUCTION MANUAL	3
RU	Термовоздуходувка	РУКОВОДСТВО	8
ES	Pistola de Calor	MANUAL DE INSTRUCCIONES	14
PTBR	Soprador Térmico	MANUAL DE INSTRUÇÕES	20
KZ	Термоауа үрлегіш	ПАЙДАЛАНУ НҰСҚАУЛЫҒЫ	26

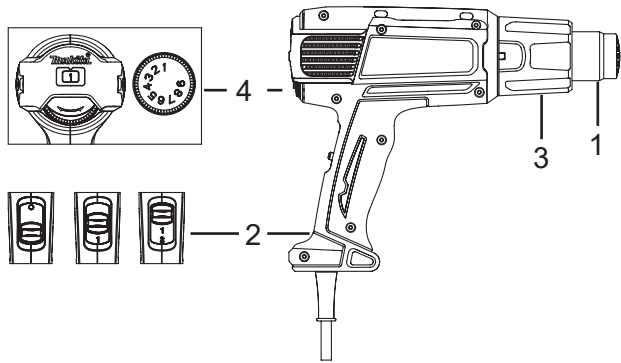
**HG5030**  
**HG6031V**  
**HG6030**



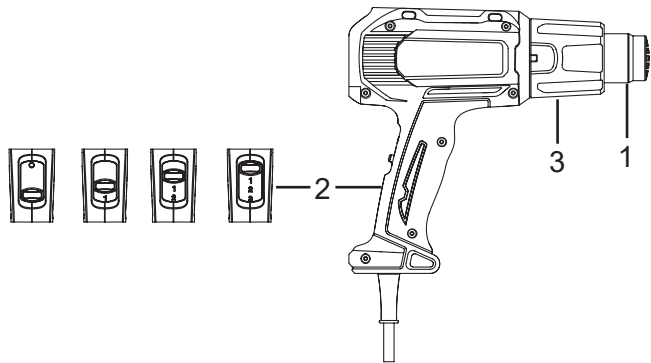
# HG5030



# HG6031V



# HG6030



# ORIGINAL INSTRUCTIONS

## INTENDED USE

Your heat gun has been designed for stripping paint, soldering pipes, shrinking PVC, welding and bending plastic as well as general drying and thawing purposes.



**WARNING:** Read this manual and general safety Instructions carefully before using the appliance, for your own safety. Your power tool should only be passed on together with these instructions.



The tool should be connected only to a power supply of the same voltage as indicated on the nameplate, and can only be operated on single-phase AC supply. They are double-insulated and can, therefore, also be used from sockets without earth wire.



Hot surfaces - Burns to fingers or hands.

## DESCRIPTION

- ① Nozzle
- ② On/off switch (0/1/2) HG5030 & HG6031V  
On/off switch (0/1/2/3) HG6030
- ③ Front cover
- ④ Dial

## PACKAGE CONTENT LIST

- Check the appliance, the power cord, the power plug and all accessories for transportation damages.



**WARNING:** Packing materials are not toys! Children must not play with plastic bags! Danger of suffocation!

- 1 Heat gun
- 1 Set of accessories (Accessories may not be necessarily be included)
- 1 Instruction manual



When parts are missing or damaged, please contact your dealer.

## GENERAL POWER TOOLS SAFETY WARNINGS

Read all safety warnings and all instructions. Failure to follow all warnings and instructions may result in electric shock, fire and/or serious injury.

Save all warnings and instructions for future reference.

The term "power tool" in the warnings refers to your mains operated (corded) power tool or battery operated (cordless) power tool.

### Work area

- **Keep work area clean and well lit.** Cluttered and dark areas invite accidents.
- **Do not operate power tools in explosive atmospheres, such as in the presence of flammable liquids, gases or dust.** Power tools create sparks which may ignite the dust or fumes.
- **Keep children and bystanders away while operating a power tool.** Distractions can cause you to lose control.

### Electrical safety

- **Power tool plugs must match the outlet. Never modify the plug in any way. Do not use any adapter plugs with earthed (grounded) power tools.** Unmodified plugs and matching outlets will reduce risk of electric shock.
- **Avoid body contact with earthed or grounded surfaces such as pipes, radiators, ranges and refrigerators.** There is an increased risk of electric shock if your body is earthed or grounded.
- **Do not expose power tools to rain or wet conditions.** Water entering a power tool will increase risk of electric shock.
- **Do not abuse the cord. Never use the cord for carrying, pulling or unplugging the power tool. Keep cord away from heat, oil, sharp edges or moving parts.** Damaged or entangled cords increase the risk of electric shock.
- **When operating a power tool outdoors, use an extension cord suitable for outdoor use.** Use of a cord suitable for outdoor use reduces the risk of electric shock.
- **If operating a power tool on a damp location is unavoidable, use a residual current device (RCD) protected supply.** Use of an RCD reduces the risk of electric shock.

### Personal safety

- **Stay alert, watch what you are doing and use common sense when operating a power tool. Do not use a power tool while you are tired or under the influence of drugs, alcohol or medication.** A moment of inattention while operating power tools may result in serious personal injury.
- **Use safety equipment. Always wear eye protection.** Safety equipment such as dust mask, non-skid safety shoes, hand hat, or hearing protection used whenever conditions require will reduce personal injuries.
- **Avoid accidental starting. Ensure the switch is in the off position before plugging in.** Carrying power tools with your finger on the switch or plugging in power tools that have the switch on invites accidents.
- **Remove any adjusting key or wrench before turning the power tool on.** A wrench or a key left attached to a rotating part of the power tool may result in personal injury.
- **Do not overreach. Keep proper footing and balance at all times.** This enables better control of the power tool in unexpected situations.

- **Dress properly. Do not wear loose clothing or jewellery. Keep your hair, clothing and gloves away from moving parts.** Loose clothes, jewellery or long hair can be caught in moving parts.
- **If devices are provided for the connection of dust extraction and collection facilities, ensure these are connected and properly used.** Use of these devices can reduce dust related hazards.

#### **Power tool use and care**

- **Do not force the power tool. Use the correct power tool for your application.** The correct power tool will do the job better and safer at the rate of which it was designed.
- **Do not use the power tool if the switch does not turn it on and off.** Any power tool that cannot be controlled with the switch is dangerous and must be repaired.
- **Disconnect the plug from the power source before making any adjustments, changing accessories, or storing power tools.** Such preventive safety measures reduce the risk of starting the power tool accidentally.
- **Store idle power tool out of the reach of children and do not allow persons unfamiliar with the power tool of these instructions to operate the power tool.** Power tools are dangerous in the hands of untrained users.
- **Maintain power tools. Check for misalignment or sticking of moving parts, breakage of parts and other condition that may affect the power tool's operation.** If damaged, have the power tool repaired before use. Many accidents are caused by poorly maintained power tools.
- **Keep cutting tools sharp and clean.** Properly maintained cutting tools with cutting edges are less likely to stick and are easier to control.
- **Use the power tool, accessories and tool bits etc., in accordance with these instructions and in the manner intended for the particular type of power tool, taking into account the working conditions and the work to be performed.** Use of the power tool for operations different from intended could lead to a hazardous situation.

#### **Service**

- **Have your power tool serviced by qualified repair person using only identical replacement parts.** This will ensure that the safety of the power tool is maintained.

### **ADDITIONAL SAFETY INSTRUCTIONS FOR HEAT GUN**

- **This appliance is not intended for use by persons (including children) with reduced physical, sensory or mental capabilities, or lack of experience and knowledge. Children should be supervised to ensure that they do not play with the appliance.**
- **A fire may result if the appliance is not used with care, therefore**
  - **be careful when using the appliance in places where there are combustible materials;**

- **do not apply to the same place for a long time;**
- **do not use in presence of an explosive atmosphere;**
- **be aware that heat may be conducted to combustible materials that are out of sight;**
- **place the appliance on its stand after use and allow it to cool down before storage;**
- **do not leave the appliance unattended when it is switched on.**
- **Do not place your hand over the air vents or block the vents in any way.**
- **The nozzle and accessories of this tool become extremely hot during use. Let these parts cool down before touching.**
- **Always switch the tool off before putting it down.**
- **Do not leave the tool unattended while it is switched on.**
- **A fire may arise if the appliance is not used with care.**
- **Heat may be conducted to combustible materials that are out of sight. Do not use in a damp atmosphere, where flammable gases may be present or near combustible materials.**
- **Allow the tool to cool fully before storing.**
- **Ensure adequate ventilation as toxic fumes may be produced.**
- **Do not use as a hairdryer.**
- **Do not obstruct either the air intake or nozzle outlet, as this may cause excessive heat build-up resulting in damage to the tool.**
- **Do not direct the hot air blast at other people.**
- **Do not touch the metal nozzle as it becomes very hot during use and remains hot for up to 30 minutes after use.**
- **Do not place the nozzle against anything while using or immediately after use.**
- **Do not poke anything down the nozzle as it could give you an electric shock. Do not look down the nozzle while the unit is working because of the high temperature being produced.**
- **Do not allow paint to adhere to the nozzle or scraper as it could ignite after some time.**

#### **Removing paint**

- **Do not use this tool to remove paint containing lead. The peelings, residue and vapors of paint may contain lead, which is poisonous. Any pre-1960 building may have been painted in the past with paint containing lead and covered with additional layers of paint. Once deposited on surfaces, hand to mouth contact can result in the ingestion of lead. Exposure even to low levels of lead can cause irreversible damage to the brain and nervous system. Young and unborn children are particularly vulnerable.**
- **When removing paint, ensure that the work area is enclosed. Preferably wear a dust mask.**
- **Do not burn the paint. Use the scraper and keep the nozzle at least 25 mm away from the**

Painted surface. When working in a vertical direction, work downwards to prevent paint from falling into the tool and burning.

- Dispose of all paint debris safely and ensure that the work area is thoroughly cleaned after completing the work.

## ASSEMBLY AND ADJUSTMENT



**Prior to assembly and adjustment, always unplug the tool.**



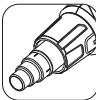


The air temperature can be adjusted to suit a wide range of applications. The table below suggests settings for different applications.

Setting	Applications
HG6030: 1	<ul style="list-style-type: none"> <li>■ Cooling the hot parts.</li> <li>■ Cooling the machines before changing the nozzle.</li> </ul>
HG5030: 1	<ul style="list-style-type: none"> <li>■ Drying paint and varnish.</li> </ul>
HG6031V: 1	<ul style="list-style-type: none"> <li>■ Removing stickers.</li> </ul>
HG6030: 2	<ul style="list-style-type: none"> <li>■ Waxing and de-waxing.</li> <li>■ Drying wet timber prior to filling.</li> <li>■ Shrinking PVC wrapping and insulation tubes.</li> <li>■ Thawing frozen pipes.</li> </ul>
HG5030: 2	<ul style="list-style-type: none"> <li>■ Welding plastics.</li> </ul>
HG6031V: 2	<ul style="list-style-type: none"> <li>■ Bending plastic pipes and sheets.</li> </ul>
HG6030: 3	<ul style="list-style-type: none"> <li>■ Loosening rusted or tightly fastened nuts and bolts.</li> <li>■ Removing paint and lacquer.</li> <li>■ Soldering plumbing joints.</li> </ul>



**If you are not sure about the correct setting, start with a low temperature setting and gradually increase the temperature until you achieve optimum results.**

## MOUNTING THE CORRECT ACCESSORY (IF APPLICABLE)

Icon	Description	Purpose
	Glass protection nozzle	Protection windows when stripping frames
	Reflector nozzle	Soldering pipes
	Reduction nozzle	Welding, sleeve shrinking (heat concentrated over small area)
	Wide-slot nozzle	Drying, thawing (heat spread over wider area)
	Scraper	Stripping paint and varnish



- Make sure that the tool is switched off and the nozzle has cooled down.
- Falling down nozzle may ignite objects on the floor. Nozzles must be mounted firmly and secure on the unit.
- Touching a hot nozzle can lead to serious burn. Before attaching or replacing a nozzle, allow the unit to cool down completely or use a suitable tool.
- A hot nozzle can set a surface on fire. Place down hot nozzles only on fire-proof surfaces.
- An incorrect or defective nozzle can lead to heat accumulation and damage the unit. Use only original nozzles according to the table that are suitable for your unit.

## INSTRUCTIONS FOR USE

- Always observe the safety instructions and applicable regulations.
- Use only one hand to hold the tool, do not place your other hand over the air vents prior to operation.
- Mount the correct accessory for the application.
- Set the desired air temperature.

### Switching on and off

- To switch the tool on, set the on/off switch to position 1/2/3. Some smoke may be emitted after switching on, this does not indicate a problem.
- To switch the tool off, adjust the lowest temperature to cool off, then set the on/off switch to position 0. Let the tool cool down before moving or storing it.

### Temperature setting

- Turn ON/OFF switch to 1/2/3, depending on temperature you need.

### Detachable front cover

- The front cover can be removed when working at a narrow area.



**Be careful of the hot nozzle.**  
Removing the front cover increases the risk of burn with the bare hot nozzle.

### Stripping paint

- Mount an appropriate accessory.
- Set a high air temperature.
- Switch the tool on.
- Direct the hot air onto the paint to be removed.
- When the paint softens, scrape the paint away using a hand scraper.



**Do not strip metal window frames, as the heat may be conducted onto the glass and crack it. When stripping other window frames, use the glass protection nozzle.**



**Do not keep the tool directed at one spot too long to prevent igniting the surface.**



**Avoid collecting paint on the scraper accessory, as it may ignite. If necessary, carefully remove paint debris from the scraper accessory using a knife.**

### Stationary use

This tool can also be used in stationary mode.

- Place the tool onto a stable workbench.
- Secure the cable to prevent pulling the tool off the workbench.
- Carefully switch the tool on.



**Make sure that the nozzle always points away from you and any bystanders.**



**Make sure not to drop anything into the nozzle.**

### Cooling down

The nozzle and accessory become very hot during use. Let them cool down before attempting to move or store the tool.

- To reduce the cooling time, switch the tool on at the lowest air temperature setting and let it run for a few minutes.
- Switch the tool off and let it cool down for at least 30 minutes. Always place it vertical and standing.

## MAINTENANCE AND CLEANING



**Attention! Before performing any work on the equipment, pull the power plug.**

### Maintenance

- Your Power Tool has been designed to operate over a long period of time with a minimum of maintenance. Continuous satisfactory operation depends upon proper tool care and regular cleaning.
- If the supply cord is damaged, it must be replaced by the manufacturer, its service agent or similarly qualified persons in order to avoid a hazard.

### Lubrication

- Your power tool requires no additional lubrication.

### Cleaning

- Keep the ventilation slots clear and regularly clean the housing with a soft cloth.

### Cleaning

- Keep the ventilation slots of the machine clean to prevent overheating of the motor.
- Regularly clean the machine housing with a soft cloth, preferably after each use.
- Keep the ventilation slots free from dust and dirt.
- If the dirt does not come off use a soft cloth moistened with soapy water.



Never use solvents such as petrol, alcohol, ammonia water, etc. These solvents may damage the plastic parts.

## TECHNICAL DATA

*Except for South American countries*

Model No:	HG5030	HG6031V	HG6030
<b>Voltage</b>	220-240V~	220-240V~	220-240V~
<b>Power</b>	1600W	1800W	1800W
<b>Temperature</b>	I 350°C 300L/M	I See 250L/M	I 50°C 250L/M
<b>Air flow</b>	II 500°C 500L/M	II below 500L/M	II 300°C 250L/M III 600°C 500L/M
<b>Overall length</b>	233mm	257mm	233mm
<b>Net weight</b>	0.56kg	0.67kg	0.57kg

### Temperature (HG6031V)

Voltage		220-240V~	
On/off switch		I	II
Dial	1	50°C	100°C
	2	100°C	150°C
	3	120°C	200°C
	4	150°C	250°C
	5	200°C	300°C
	6	250°C	400°C
	7	300°C	500°C
	8	350°C	550°C
	9	400°C	600°C

**NOTE:** Each temperature value is for reference only since it changes depending on the ambient temperature.

## ENVIRONMENT



Should your appliance need replacement after extended use, do not discard it with the household rubbish but dispose of it in an environmentally safe way.

Waste produced by electrical machine items should not be handled like normal household rubbish. Please recycle where facilities exist. Check with your Local Authority or retailer for recycling advice.

Subject to change without notice.

## ПРЕДПОЛАГАЕМОЕ ИСПОЛЬЗОВАНИЕ

Термовоздуховка предназначена для удаления лакокрасочного покрытия, запаивания труб, усадки ПВХ, сварки и гибки пластика, а также является универсальным средством для сушки и отогревания.



**ОСТОРОЖНО:** В целях обеспечения безопасности, перед началом эксплуатации инструмента внимательно прочитайте это руководство и общие правила техники безопасности. Электроинструмент разрешается передавать только вместе с этими инструкциями.

Инструмент разрешается подключать только к сети питания с указанным на паспортной табличке напряжением, а для питания подается однофазный переменный ток. Инструмент имеет двойную изоляцию, поэтому его можно подключать к розеткам без заземляющего провода.

Горячие поверхности - возможен ожог рук и пальцев.



## ОПИСАНИЕ

- 1 Сопло
- 2 Переключатель питания (0/1/2) HG5030 и HG6031V
- 3 Переключатель питания (0/1/2/3) HG6030
- 4 Передняя крышка
- 5 Поворотный регулятор

## СОДЕРЖИМОЕ КОМПЛЕКТА

- Проверьте инструмент, кабель питания, разъем и все приспособления на предмет повреждений при транспортировке.



**ОСТОРОЖНО:** Упаковочные материалы не являются игрушками! Не позволяйте детям играть с пластиковой упаковкой! Существует риск удушья!

- 1 термовоздуховка
- 1 набор приспособлений (могут не входить в комплект поставки)
- 1 руководство



Свяжитесь с поставщиком при обнаружении недостающих или поврежденных компонентов.

## ОБЩИЕ ПРАВИЛА ТЕХНИКИ БЕЗОПАСНОСТИ ПРИ РАБОТЕ С ЭЛЕКТРОИНСТРУМЕНТОМ

Прочитайте все предупреждения и инструкции по технике безопасности. Несоблюдение всех предупреждений и инструкций может привести к поражению электротоком, пожару и/или серьезной травме.

**Храните все предупреждения и инструкции в доступном месте.**

Используемый в предупреждениях термин «электроинструмент» относится к используемому вами электроинструменту, питание которого осуществляется от сети питания (через кабель) или от аккумуляторов (без кабеля).

### Рабочая зона

- **Обеспечьте в рабочей зоне чистоту и хорошее освещение.** В беспорядке и плохом освещении вероятность несчастного случая возрастает.
- **Запрещается эксплуатировать электроинструмент во взрывоопасных средах (например, в присутствии горючих жидкостей, газов или пыли).** В процессе работы электроинструмента появляются искры, которые могут стать причиной возгорания пыли или паров.
- **Не допускайте в зону эксплуатации электроинструмента детей и посторонних.** Отвлекающие факторы могут привести к потере контроля ситуации.

### Электробезопасность

- **Разъемы питания электроинструментов должны идеально подходить к розетке.** Запрещается вносить модификации в конструкцию разъемов. Запрещается использовать адаптеры для разъемов с заземленными на массу или на землю электроинструментами. Сохранение оригинальной конструкции разъемов и использование соответствующих розеток позволяет снизить риск поражения электротоком.
- **Избегайте контакта с заземленными на массу или землю поверхностями, такими, как трубы, радиаторы отопления, кухонные плиты и холодильники.** При заземлении тела на массу или землю значительно возрастает риск поражения электротоком.
- **Запрещается использовать электроинструменты под дождем или в условиях повышенной влажности.** Попадание в электроинструмент воды повышает риск поражения электротоком.
- **Запрещается использовать кабель не по назначению.** Запрещается использовать кабель для переноски, перемещения электроинструмента или отключения его от сети питания. Не давайте кабелю попадать в условия повышенной температуры, избегайте его контакта с маслом и острыми краями или движущимися деталями. Повреждение или перекручивание кабеля приводит к риску поражения электротоком.

- При эксплуатации электроинструмента вне помещения используйте только пригодный для этих целей удлинитель. Использование надлежащего удлинителя позволяет значительно снизить риск поражения электротоком.
- При необходимости использования электроинструмента в условиях повышенной влажности обеспечьте наличие устройства защитного отключения (УЗО) в источнике питания. Использование УЗО позволяет снизить риск поражения электротоком.

#### **Личная безопасность**

- При работе с электроинструментом соблюдайте осторожность, следите за своими действиями и руководствуйтесь здравым смыслом. Запрещается использовать электроинструмент в состоянии усталости или под воздействием наркотиков, алкоголя или лекарственных средств. Секундная потеря внимания при эксплуатации электроинструмента может привести к получению серьезной травмы.
- Используйте защитные приспособления. Обязательно используйте средства защиты органов зрения. Использование таких защитных приспособлений, как респиратор, обуви с защитой от скольжения, специальных перчаток или средств защиты органов слуха позволяет значительно снизить вероятность получения травмы.
- Примите меры по предотвращению случайного включения. Перед подключением к сети питания убедитесь, что переключатель установлен в положение выключения. Ношение электроинструмента с положенным на переключатель пальцем или подключением его к сети питания с переключателем, установленным в положение включения, увеличивает вероятность несчастного случая.
- Перед включением электроинструмента снимите с него все регулировочные ключи. Оставшийся на вращающейся детали электроинструмента регулировочный ключ может стать причиной получения травмы.
- Не выполняйте непосильные задачи. Старайтесь всегда сохранять равновесие и устойчивость. Это позволит контролировать электроинструмент в неожиданных ситуациях.
- Надевайте подходящую одежду. Не носите свободную одежду и украшения. Не позволяйте волосам, одежде и перчаткам контактировать с подвижными деталями. Подвижные детали могут зацепиться за свободную одежду, украшения или длинные волосы.
- Если инструмент снабжается приспособлениями для удаления и сбора пыли, то обеспечьте надлежащее использование этих приспособлений. Их использование позволяет снизить риски, связанные с образованием пыли.

#### **Эксплуатация и уход за электроинструментом**

- Не перегружайте электроинструмент. Используйте подходящий для каждой задачи инструмент. Использование соответствующего электроинструмента позволяет более качественно и безопасно выполнять соответствующие его характеристикам задачи.
- Запрещается использование

электроинструмента с неработающим переключателем питания. Использование электроинструмента без рабочего переключателя питания опасно, поэтому такой инструмент подлежит ремонту.

- Перед регулировкой, сменой приспособлений или хранением электроинструмента обязательно отсоедините разъем питания от источника питания. Эти меры предосторожности позволяют снизить риск случайного включения электроинструмента.
- Храните электроинструмент в недоступном для детей месте и не позволяйте эксплуатировать инструмент лицам, не знакомым с инструкциями по его эксплуатации. В неумелых руках электроинструмент представляет серьезную опасность.
- Обеспечьте регулярное обслуживание электроинструмента. Проверьте на предмет смещенных или выступающих вращающихся деталей, сломанных деталей и других условий, которые могут влиять на работу электроинструмента. При обнаружении поломок, обязательно отремонтируйте электроинструмент перед повторным использованием. Множество несчастных случаев происходит по причине плохого обслуживания электроинструмента.
- Обеспечьте своевременную заточку и очистку режущих инструментов. Надлежащее обслуживание режущих инструментов позволяет избежать появления выступающих режущих краев и обеспечить более удобное управление.
- При эксплуатации электроинструмента, приспособлений, насадок и т.д. обязательно соблюдайте эти инструкции и правила эксплуатации определенного типа электроинструмента, принимая во внимание все требования к рабочим условиям и порядку проведению работ. Использование электроинструмента не по назначению может привести к возникновению опасных ситуаций.

#### **Обслуживание**

- К обслуживанию электроинструмента допускается только квалифицированный специалист по ремонту, использующий в работе идентичные запасные части. Это позволит обеспечить безопасную эксплуатацию электроинструмента.

### **ДОПОЛНИТЕЛЬНЫЕ ПРАВИЛА ТЕХНИКИ БЕЗОПАСНОСТИ ПРИ ЭКСПЛУАТАЦИИ ТЕРМОВОЗДУХОДУВКИ**

- К эксплуатации этого инструмента не допускаются лица (включая детей) с физическими, сенсорными и умственными ограничениями или недостаточным опытом и знаниями. Следите за детьми и не позволяйте им играть с инструментом.
- Неосторожное обращение с инструментом может привести к пожару, поэтому
  - соблюдайте осторожность при работе

с инструментом в местах с горючими материалами;

- не воздействуйте инструментом на одну и ту же точку в течение слишком долгого времени;
  - не используйте инструмент во взрывоопасных средах;
  - помните, что тепло может передаваться горючим материалам, которые находятся вне поля вашего зрения;
  - после работы поставьте инструмент на стойку и дайте ему остыть перед началом хранения;
  - не оставляйте включенный инструмент без присмотра.
- Не кладите руки на вентиляционные отверстия и следите за тем, чтобы отверстия не оказались закрытыми.
  - Во время работы сопло и приспособления сильно нагреваются. Не касайтесь этих деталей, пока они не остынут.
  - Обязательно отключайте питание инструмента перед возвращением его на место.
  - Не оставляйте включенный инструмент без присмотра.
  - Неосторожное обращение с инструментом может привести к пожару.
  - Тепло может передаваться горючим материалам, которые находятся вне поля вашего зрения. Запрещена эксплуатация инструмента в условиях повышенной влажности, где могут присутствовать горючие газы, или рядом с горючими материалами.
  - Перед началом хранения дайте инструменту остыть.
  - Обеспечьте надлежащую вентиляцию, так как во время работы могут выделяться токсичные пары.
  - Инструмент запрещено использовать в качестве фена для волос.
  - Избегайте блокировки воздуховоронников или сопла, так как это может привести к чрезмерному повышению температуры и повреждению инструмента.
  - Не направляйте струю горячего воздуха на других людей.
  - Не касайтесь металлического сопла, так как во время работы оно очень сильно нагревается, а на его остывание может потребоваться до 30 минут.
  - Во время работы или сразу после ее окончания не касайтесь соплом других предметов.
  - Не опускайте ничего внутрь сопла, так как это может привести к поражению электрическим током. Не заглядывайте в сопло во время работы, так как из него выходит очень горячий воздух.
  - Не позволяйте краске прилипнуть к соплу или скребку, так как через некоторое время она может воспламениться.
- Удаление краски**
- Не пользуйтесь инструментом для удаления содержащей свинец краски. В слоях,

остатках и парах краски может содержаться ядовитый свинец. Здания, построенные до 1960 года могли быть покрашены содержащей свинец краской, поверх которой был нанесен слой другой краски.

После попадания краски на поверхность свинец может попасть в рот через руки. Воздействие даже небольшого количества свинца может привести к необратимому повреждению мозга и нервной системы. Особенно восприимчивы к нему маленькие и еще не рожденные дети.

- При снятии краски убедитесь, что рабочая зона изолирована. Рекомендуется надевать респиратор.
- Не сжигайте краску. Воспользуйтесь скребком и держите сопло на расстоянии не менее 25 мм от окрашенной поверхности. При работе в вертикальном направлении двигайтесь вниз, чтобы не допустить падения краски в инструмент и ее горения.
- Осторожно утилизируйте все остатки краски с соблюдением норм и убедитесь, что рабочая зона тщательно очищена после завершения работы.

## СБОРКА И РЕГУЛИРОВКА



**Обязательно отключайте инструмент от сети питания перед сборкой и регулировкой.**






Температуру воздуха можно настроить для различных областей применения. В таблице ниже указаны настройки для различных ситуаций.

Настройка	Применение
HG6030: 1	■ Охлаждение горячих деталей.
	■ Охлаждение оборудования перед сменой сопла.
HG5030: 1	■ Сушка краски и лака.
HG6031V: 1	■ Снятие наклеек.
HG6030: 2	■ Нанесение и снятие воска.
	■ Просушивание влажной древесины перед закладкой.
HG5030: 2	■ Усадка упаковки из ПВХ и изоляционных труб.
	■ Отогревание замерзших труб.
	■ Сварка пластиков.
HG6031V: 2	■ Гибка пластиковых труб и листов.
HG6030: 3	■ Ослабление ржавых или туго затянутых гаек и болтов.
	■ Снятие краски и лака.
	■ Запайка сантехнических соединений.



**Если вы не уверены в выборе необходимой настройки, то начните с низкой температуры и постепенно увеличивайте ее до достижения необходимого результата.**

## УСТАНОВКА НЕОБХОДИМОГО ПРИСПОСОБЛЕНИЯ (ПРИ НАЛИЧИИ)

Символ	Описание	Назначение
	Сопло для защиты стекла	Защита окон при снятии краски с рам
	Сопло с рефлектором	Запаивание труб
	Суженное сопло	Сварка, усадка рукавов (концентрация тепла на небольшой площади)
	Сопло с широкой прорезью	Сушка, отогрев (распределение тепла по большей площади)
	Скребок	Снятие краски и лака



- Убедитесь, что инструмент выключен, а сопло остыло.
- Упавшее сопло может воспламенить предметы на полу. Сопла должны быть надежно закреплены на инструменте.
- Контакт с горячим соплом может привести к получению сильных ожогов. Перед установкой или снятием сопла дайте инструменту полностью остыть или воспользуйтесь специальным инструментом.
- Горячее сопло может прожечь поверхность. Кладите горячие сопла только на огнеупорные поверхности.
- Использование ненадлежащего или поврежденного сопла может привести к аккумуляции тепла и повреждению инструмента. Пользуйтесь только оригинальными соплами, подходящими для вашего инструмента согласно таблице.

## ИНСТРУКЦИИ ПО ЭКСПЛУАТАЦИИ

- Обязательно соблюдайте правила техники безопасности и применимые нормы.
- Всегда держите инструмент одной рукой, не кладите вторую руку на вентиляционные отверстия до начала работы:
- установите приспособление, соответствующее поставленной задаче.
- Установите необходимую температуру воздуха.

### Включение и выключение питания

- Для включения питания переведите переключатель в положение 1/2/3. После включения может появиться немного дыма, но это не является неисправностью.
- Для выключения инструмента установите минимальную температуру, чтобы инструмент остыл, а затем переведите переключатель в положение 0. Дайте инструменту остыть перед транспортировкой или хранением.

### Регулировка температуры

- Переведите переключатель питания в положение 1/2/3, в зависимости от требуемой температуры.

### Съемная передняя крышка

- При работе в тесном пространстве переднюю крышку можно снять.



### Помните о нагревании сопла.

Снятие передней крышки повышает риск получения ожога, так как раскаленное сопло не будет закрыто.

### Удаление лакокрасочного покрытия

- Установите необходимое приспособление.
- Установите высокую температуру воздуха.
- Включите инструмент.
- Направьте струю горячего воздуха на снимаемую краску.
- После размягчения краски снимите ее слой с помощью ручного скребка.



Не пользуйтесь таким способом для снятия краски с металлических оконных рам, так как стекло может нагреться и треснуть. При снятии краски с оконных рам из другого материала воспользуйтесь соплом для защиты стекла.



Не направляйте инструмент в одну точку в течение слишком долгого времени, так как поверхность может воспламениться.



Избегайте скопления краски на скребке, так как она может загореться. При необходимости аккуратно снимите скопившуюся на скребке краску с помощью ножа.

#### **Использование в стационарных условиях**

Этот инструмент также можно использовать в стационарных условиях.

- Установите инструмент на устойчивый верстак.
- Зафиксируйте кабель, чтобы за него нельзя было дернуть и уронить инструмент с верстака.
- Осторожно включите питание инструмента.



Убедитесь, что сопло направлено в сторону от вас и других присутствующих.



Старайтесь ничего не уронить в сопло.

#### **Охлаждение**

Во время работы сопло и принадлежности сильно нагреваются. Перед транспортировкой или хранением инструмента дайте им остыть.

- Для сокращения времени остывания включите инструмент на самой низкой температуре и дайте ему поработать несколько минут.
- Выключите инструмент и дайте ему остыть в течение не менее 30 минут. Обязательно устанавливайте его в вертикальном положении.

## **ОБСЛУЖИВАНИЕ И ОЧИСТКА**



**Внимание!** Перед проведением работ на оборудовании обязательно отключите его от сети питания.

#### **Техническое обслуживание**

- Конструкция вашего электроинструмента предполагает его продолжительное использование без необходимости в проведении обслуживания. Для долгой и качественной работы инструмента необходимо обеспечить надлежащий уход и регулярную очистку.
- В случае если сетевой шнур поврежден, он должен быть заменен производителем, его сервисным агентом или таким же уполномоченным представителем во избежание опасной ситуации.

#### **Смазка**

- Ваш электроинструмент не требует дополнительной смазки.

#### **Очистка**

- Поддерживайте чистоту вентиляционных отверстий и регулярно протирайте корпус мягкой тканью.

#### **Очистка**

- Поддерживайте вентиляционные отверстия инструмента в чистоте, что поможет предотвратить перегрев двигателя.
- Регулярно (желательно после каждого использования) очищайте корпус инструмента мягкой тканью.
- Очищайте вентиляционные отверстия от пыли и загрязнений.
- Для удаления сильных загрязнений можно воспользоваться мягкой тканью, смоченной в мыльной воде.



**Запрещено использовать такие растворители, как бензин, спирт, водный раствор аммиака и др. Это может привести к повреждению пластиковых деталей.**

## ТЕХНИЧЕСКИЕ ХАРАКТЕРИСТИКИ

Кроме стран Южной Америки

Номер модели:	Напряжение	Мощность	Температура	воздушного потока	Общая длина	Масса нетто
HG5030	220-240 В~	1600 Вт	I 350°C II 500°C	300 л/мин 500 л/мин	233мм	0,56кг
HG6031V	220-240 В~	1800 Вт	I II См. ниже	250 л/мин 500 л/мин	257мм	0,67кг
HG6030	220-240 В~	1800 Вт	I 50°C II 300°C III 600°C	250 л/мин 250 л/мин 500 л/мин	233мм	0,57кг

Температура (HG6031V)

Напряжение		220-240 В~	
Переключатель питания		I	II
Поворотный регулятор	1	50°C	100°C
	2	100°C	150°C
	3	120°C	200°C
	4	150°C	250°C
	5	200°C	300°C
	6	250°C	400°C
	7	300°C	500°C
	8	350°C	550°C
	9	400°C	600°C

**ПРИМЕЧАНИЕ:** Каждое значение температуры носит исключительно информативный характер, поскольку оно меняется в зависимости от температуры окружающей среды.

## ЗАЩИТА ОКРУЖАЮЩЕЙ СРЕДЫ



В случае необходимости замены инструмента после длительного использования, не утилизируйте старый инструмент вместе с бытовыми отходами, а сделайте это экологически безопасным способом.

Отходы, производимые электрическим оборудованием, нельзя утилизировать вместе с бытовыми отходами. Отдайте инструмент на переработку в специальное учреждение. Консультацию по вопросам переработки можно получить у местных органов власти или поставщика инструмента.

Возможно внесение изменений без уведомления.

# INSTRUCCIONES ORIGINALES

## USO PREVISTO

Su pistola térmica ha sido diseñada para trabajos de pelado de pintura, soldado de tuberías, retracción de PVC, soldadura y flexión de plástico, así como fines generales de secado y descongelación.



**ADVERTENCIA:** Lea atentamente este manual y las instrucciones generales de seguridad antes de utilizar el aparato, para salvaguardar su propia seguridad. Su herramienta eléctrica sólo debe transmitirse junto con estas instrucciones.

La herramienta debe estar conectada solamente a una fuente de alimentación con la misma tensión que la indicada en la placa de características, y solamente puede utilizarse conectada a una fuente de CA monofásica. La herramienta cuenta con doble aislamiento y por lo tanto, también se puede utilizar con tomas sin cable de conexión a tierra. Superficies calientes - Quemarán sus dedos o manos.



## DESCRIPCIÓN

- 1 Boquilla
- 2 Interruptor de encendido/apagado (0/1/2)  
HG5030 & HG6031V  
Interruptor de encendido/apagado (0/1/2/3)  
HG6030
- 3 Cubierta frontal
- 4 Selector

## LISTA DE CONTENIDOS DEL EMBALAJE

- Compruebe el aparato, el cable de alimentación, la clavija de alimentación y todos los accesorios para comprobar que no presenten ningún tipo de daño.



**ADVERTENCIA:** ¡Los materiales de embalaje no son juguetes! ¡Los niños no deben jugar con bolsas de plástico! ¡Peligro de asfixia!

- 1 pistola de calor
- 1 juego de accesorios (no siempre se incluyen todos los accesorios)
- 1 manual de instrucciones



Si faltan piezas o están dañadas, póngase en contacto con su distribuidor.

## ADVERTENCIAS DE SEGURIDAD PARA HERRAMIENTAS ELÉCTRICAS

Lea todas las advertencias de seguridad y todas las instrucciones. El incumplimiento de las advertencias e instrucciones puede provocar descargas eléctricas, incendio y/o lesiones graves.

**Guarde todas las advertencias e instrucciones para futuras consultas.**

El término "herramienta eléctrica" en las advertencias se refiere a su herramienta eléctrica accionada por corriente (con cable) o a una herramienta eléctrica accionada por batería (inalámbrica).

### Área de trabajo

- **Mantenga limpia y ordenada el área de trabajo.** Las áreas desordenadas y oscuras crean el riesgo de que se produzcan accidentes.
- **No utilice herramientas eléctricas en atmósferas explosivas, ni en presencia de líquidos inflamables, gases o polvo.** Las herramientas eléctricas generan chispas que pueden prender fuego en contacto con polvo o vapores.
- **Mantenga alejados a los niños y transeúntes mientras utiliza la herramienta eléctrica.** Las distracciones pueden hacer que pierda el control sobre la herramienta.

### Seguridad eléctrica

- **Los enchufes de la herramienta eléctrica deben encajar perfectamente en la toma de corriente. Nunca modifique el enchufe de la herramienta. No utilice enchufes adaptadores con herramientas eléctricas conectadas a tierra.** El hecho de utilizar enchufes sin modificar y tomas de corriente adecuadas reducirá el riesgo de que se produzca una descarga eléctrica.
- **Evite el contacto corporal con superficies conectadas a tierra, tales como tuberías, radiadores, estufas y refrigeradores.** Existe un mayor riesgo de que se produzca una descarga si su cuerpo está en contacto con una superficie conectada a tierra.
- **No exponga las herramientas eléctricas a la lluvia o a condiciones de humedad.** Si entra agua en el interior de la herramienta aumentará el riesgo de que se produzca una descarga eléctrica.
- **No fuerce el cable. No utilice nunca el cable para transportar, tirar o desenchufar la herramienta eléctrica. Mantenga el cable alejado de fuentes de calor, aceite, bordes afilados o piezas móviles.** Los cables dañados o enredados aumentan el riesgo de que se produzca una descarga eléctrica.
- **Cuando utilice una herramienta eléctrica al aire libre, utilice un cable de extensión adecuado para su uso en exteriores.** El uso de un cable adecuado para uso en exteriores reduce el riesgo de que se produzca una descarga eléctrica.
- **Si es inevitable utilizar la herramienta eléctrica en un ambiente con humedad, utilice una fuente protegida con un dispositivo de**

**corriente residual (RCD).** El uso de un RCD reduce el riesgo de que se produzca una descarga eléctrica.

### **Seguridad personal**

- **Manténgase alerta, observe lo que está haciendo y utilice el sentido común al manejar una herramienta eléctrica. No use una herramienta eléctrica cuando esté cansado o bajo la influencia de drogas, alcohol o medicamentos.** Un momento de despiste al utilizar herramientas eléctricas puede resultar en lesiones personales graves.
- **Utilice los equipos de seguridad personal adecuados Utilice siempre protección para los ojos.** El uso de equipos de seguridad tales como mascarillas contra el polvo, calzado de seguridad antideslizante, casco, guantes o protección auditiva, cuando las condiciones lo requieran, reducirán el riesgo de sufrir lesiones personales.
- **Evite que se produzca un encendido accidental. Asegúrese de que el interruptor esté en la posición de apagado antes de enchufar la herramienta.** Cargar las herramientas eléctricas con el dedo en el interruptor o enchufar las herramientas eléctricas con el interruptor encendido invita a sufrir accidentes.
- **Quite cualquier llave inglesa o llave de ajuste antes de encender la herramienta eléctrica.** Una llave de ajuste o una llave inglesa unida a una parte giratoria de la herramienta eléctrica puede resultar en lesiones personales.
- **No extralimite su capacidad. Mantenga una postura correcta y el equilibrio en todo momento.** Esto le permite mantener un mejor control de la herramienta eléctrica en situaciones inesperadas.
- **Utilice vestimenta adecuada. No use ropa floja ni joyas. Mantenga el cabello, la ropa y los guantes alejados de las piezas móviles.** La ropa floja, las joyas o el pelo largo pueden quedar atrapados en las piezas móviles.
- **Si se proporcionan dispositivos para la extracción y recolección de polvo, asegúrese de que estén conectados y de que se utilicen correctamente.** El uso de estos dispositivos puede reducir los peligros relacionados con el polvo.

### **Uso y cuidado de la herramienta eléctrica**

- **No fuerce la herramienta eléctrica. Utilice la herramienta eléctrica adecuada para su aplicación.** Una herramienta eléctrica correcta realizará mejor el trabajo y de forma más segura a la velocidad para la cual se ha diseñado.
- **No utilice la herramienta eléctrica si el interruptor no enciende y apaga.** Cualquier herramienta eléctrica que no pueda ser controlada con el interruptor es peligrosa y debe ser reparada.
- **Desconecte el enchufe de la fuente de alimentación antes de realizar cualquier ajuste, cambio de accesorios o guardar las herramientas eléctricas.** Estas medidas preventivas de seguridad reducen el riesgo de que la herramienta se pueda encender accidentalmente.
- **Guarde la herramienta eléctrica inactiva fuera del alcance de los niños y no permita nunca que la utilicen personas que no estén familiarizadas con las instrucciones de uso de la**

**herramienta.** Las herramientas eléctricas son peligrosas en manos de usuarios inexpertos.

- **Mantenimiento de las herramientas eléctricas. Compruebe que la herramienta no presente desalineación o adherencia de las piezas móviles, que no presente roturas ni otras condiciones que puedan afectar el funcionamiento de la herramienta eléctrica.** Si presenta algún daño, lleve la herramienta a utilizar antes de usarla. Muchos accidentes se deben al uso de herramientas eléctricas sin el mantenimiento correcto.
- **Mantenga las herramientas de corte afiladas y limpias.** Las herramientas de corte adecuadamente mantenidas con bordes de corte afilados tienen menos probabilidades de pegarse y son más fáciles de controlar.
- **Utilice la herramienta eléctrica, los accesorios y los soportes de la herramienta, etc., de acuerdo con estas instrucciones y de la manera prevista para el tipo particular de herramienta eléctrica, teniendo en cuenta las condiciones de trabajo y el trabajo a realizar.** El uso de una herramienta eléctrica para tareas diferentes a las previstas podría conducir a una situación peligrosa.

### **Reparaciones**

- **Lleve su herramienta a reparar solamente a centros de reparación cualificados y utilice solamente piezas de recambio idénticas.** Esto asegurará que se mantiene la seguridad de la herramienta eléctrica.

## **INSTRUCCIONES ADICIONALES DE SEGURIDAD PARA LA PISTOLA DE CALOR**

- **Este aparato no está diseñado para ser utilizado por personas (incluyendo niños) con capacidades físicas, sensoriales o mentales reducidas, o con falta de experiencia y conocimiento.** Los niños deben ser supervisados para asegurarse de que no juegan con la unidad.
- **Si la herramienta no se utiliza con cuidado, puede provocar un incendio.**
  - **tenga cuidado al utilizar la herramienta en lugares donde haya materiales combustibles;**
  - **no aplique la pistola sobre el mismo lugar durante mucho tiempo;**
  - **no utilice la pistola en presencia de una atmósfera explosiva;**
  - **tenga en cuenta que el calor puede ser conducido a materiales combustibles que están fuera de la vista;**
  - **coloque la pistola en su soporte después del uso y deje que se enfríe antes de guardarla;**
  - **No deje la pistola sin vigilancia cuando esté encendida.**
- **No coloque la mano sobre las rejillas de ventilación ni bloquee las rejillas de ventilación de ninguna manera.**
- **La boquilla y los accesorios de esta herramienta estarán extremadamente calientes**

durante su uso. Deje que estas partes se enfrien antes de tocarlas.

- Apague siempre la herramienta antes de colocarla en el soporte.
- No deje nunca la herramienta desatendida mientras está encendida.
- Si la herramienta no se utiliza con cuidado, puede provocar un incendio.
- El calor puede ser conducido a materiales combustibles que están fuera de la vista. No utilice la pistola en atmósferas húmedas donde puedan existir gases inflamables o cerca de materiales combustibles.
- Deje que la herramienta se enfríe completamente antes de guardarla.
- Asegúrese de que haya suficiente ventilación, ya que se pueden producir vapores tóxicos.
- No lo utilice nunca esta herramienta como secador de pelo.
- No obstruya ni la entrada de aire ni la salida de la boquilla, ya que puede causar una acumulación excesiva de calor que daña la herramienta.
- No dirija la salida de aire caliente hacia otras personas.
- No toque la boquilla de metal, ya que se calienta mucho durante el uso y permanece caliente durante 30 minutos después del uso.
- No coloque la boquilla contra nada mientras la esté utilizando o inmediatamente después de usarla.
- No empuje nada por el interior de la boquilla ya que podría causar una descarga eléctrica. No dirija hacia abajo la boquilla mientras la unidad está funcionando debido a la alta temperatura que se produce.
- No permita que la pintura se adhiera a la boquilla o al rascador ya que podría causar llamas después de algún tiempo.

#### Eliminación de pintura

- No utilice esta herramienta para eliminar pintura que contenga plomo. Las peladuras, residuos y vapores de pintura pueden contener plomo, que es venenoso. Cualquier edificio anterior a 1960 puede haber sido pintado en el pasado con pintura que contiene plomo y cubierto con capas adicionales de pintura. Una vez depositado sobre las superficies, el contacto de la mano con la boca puede resultar en la ingestión de plomo. La exposición a plomo, incluso a niveles muy bajos, puede causar daños irreversibles en el cerebro y el sistema nervioso. Los niños

pequeños y nonatos son particularmente vulnerables.

- Cuando quite la pintura, asegúrese de que el área de trabajo esté cerrada. Preferiblemente utilice una mascarilla para protegerse frente al polvo.
- No queme la pintura. Utilice el rascador y mantenga la boquilla a una distancia mínima de 25 mm de la superficie pintada. Cuando trabaje en dirección vertical, trabaje hacia abajo para evitar que la pintura caiga en la herramienta y se queme.
- Deseche todos los residuos de pintura de forma segura y asegúrese de que el área de trabajo se limpie a fondo después de completar el trabajo.

## MONTAJE Y ASJUSTES



**Antes de montar y ajustar la herramienta, asegúrese siempre de que esté desenchufada.**


La temperatura del aire se puede ajustar para adaptarse a una amplia gama de aplicaciones. La siguiente tabla sugiere los ajustes a utilizar para las diferentes aplicaciones.


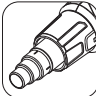
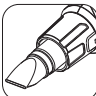

Configuración	Aplicaciones
HG6030: 1	<ul style="list-style-type: none"> <li>■ Enfriar las partes calientes.</li> <li>■ Enfriar las máquinas antes de cambiar la boquilla.</li> </ul>
HG5030: 1	<ul style="list-style-type: none"> <li>■ Secado de pintura y barniz.</li> </ul>
HG6031V: 1	<ul style="list-style-type: none"> <li>■ Retirada de pegatinas.</li> </ul>
HG6030: 2	<ul style="list-style-type: none"> <li>■ Encerado y retirada de cera.</li> <li>■ Secado de madera húmeda antes del llenado.</li> <li>■ Retracción de envolturas de PVC y tubos de aislamiento.</li> <li>■ Descongelación de tuberías congeladas.</li> </ul>
HG5030: 2	<ul style="list-style-type: none"> <li>■ Soldadura de plásticos.</li> </ul>
HG6031V: 2	<ul style="list-style-type: none"> <li>■ Flexión de tubos de plástico y láminas.</li> </ul>
HG6030: 3	<ul style="list-style-type: none"> <li>■ Aflojamiento las tuercas y tornillos herméticos u oxidados.</li> <li>■ Eliminación de pintura y laca.</li> <li>■ Soldadura de juntas de fontanería.</li> </ul>



**Si no está seguro de la configuración correcta, comience con un ajuste de temperatura baja y aumente gradualmente la temperatura hasta obtener resultados óptimos.**

## MONTAJE DEL ACCESORIO CORRECTO (SI PROCEDE)

Icono	Descripción	Finalidad
	Boquilla de protección de vidrio	Protección para las ventanas al decapar marcos

Icono	Descripción	Finalidad
	Boquilla reflectora	Soldadura de tubos
	Boquilla de reducción	Soldadura, encogimiento de la manga (calor concentrado sobre una área pequeña)
	Boquilla de ranura ancha	Secado, descongelación (dispersión de calor sobre una área más amplia)
	Rascador	Decapado de pintura y barniz



- Asegúrese de que la herramienta esté apagada y de que la boquilla se haya enfriado.
- Si cae la boquilla puede prender fuego en objetos en el suelo. Las boquillas deben montarse y asegurarse con firmeza en la unidad.
- Tocar una boquilla caliente puede causar quemaduras graves. Antes de colocar o reemplazar una boquilla, deje que la unidad se enfríe completamente o utilice una herramienta adecuada.
- Una boquilla caliente puede incendiar una superficie. Coloque las boquillas calientes solamente sobre superficies resistentes al fuego.
- Una boquilla incorrecta o defectuosa puede crear una acumulación de calor y dañar la unidad. Utilice únicamente boquillas originales según la tabla, y que sean adecuadas para su unidad.

## INSTRUCCIONES DE USO

- Observe siempre las instrucciones de seguridad y las normas aplicables.
- Utilice solamente una mano para sujetar la herramienta, no coloque la otra mano sobre las rejillas de ventilación antes de la operación:
- Monte el accesorio correcto para la aplicación.
- Establezca la temperatura deseada del aire.

### Encendido y apagado

- Para encender la herramienta, coloque el interruptor de encendido/apagado en la posición 1/2/3. La unidad puede emitir un poco de humo después del encendido, esto no indica un problema.
- Para apagar la herramienta, ajuste la temperatura más baja para enfriar, luego coloque el interruptor de encendido/apagado en la posición 0. Deje que la herramienta se enfríe antes de moverla o guardarla.

### Configuración de la temperatura

- Gire el interruptor de ENCENDIDO/APAGADO a 1/2/3, dependiendo de la temperatura que necesite.

### Cubierta frontal desmontable

- La cubierta frontal se puede quitar cuando se trabaja en una zona estrecha.



### Tenga cuidado con la boquilla caliente.

La extracción de la cubierta frontal aumenta el riesgo de quemaduras con la boquilla desnuda.

### Decapado de pintura

- Instale un accesorio apropiado.
- Ajuste una temperatura de aire alta.
- Encienda la herramienta.
- Dirija el aire caliente sobre la pintura a eliminar.
- Cuando la pintura se ablande, raspe la pintura con un rascador de mano.



**No desmonte los marcos de ventanas de metal, ya que el calor puede conducirse sobre el vidrio y agrietarlo. Al desmontar otros marcos de ventana, utilice la boquilla de protección de vidrio.**



**No apoye la herramienta en un punto demasiado tiempo para evitar que se quemé o incendie la superficie.**



**Evite recoger la pintura en el accesorio rascador, ya que podría prender fuego. Si es necesario, retire cuidadosamente los restos de pintura del accesorio rascador con un cuchillo.**

### Uso estacionario

Esta herramienta también se puede utilizar en modo estacionario.

- Coloque la herramienta sobre un banco de trabajo estable.
- Asegure el cable para evitar tirar la herramienta del banco de trabajo.
- Con cuidado, encienda la herramienta.



**Asegúrese de que la boquilla apunte a un lugar alejado de su persona y cualquier otra persona.**



**Asegúrese de no dejar caer nada en la boquilla.**

### Enfriamiento

La boquilla y el accesorio se calientan mucho durante el uso. Deje que se enfrien antes de intentar mover o guardar la herramienta.

- Para reducir el tiempo de enfriamiento, encienda la herramienta a la temperatura más baja y déjela funcionar durante unos minutos.
- Apague la herramienta y déjela enfriar durante al menos 30 minutos. Coloque siempre la herramienta en posición vertical y de pie.

## MANTENIMIENTO Y LIMPIEZA



**¡Atención! Antes de realizar cualquier trabajo en la herramienta, desenchufe el cable de alimentación.**

### Mantenimiento

- Su herramienta eléctrica ha sido diseñada para funcionar durante un largo período de tiempo con un mínimo de mantenimiento. El funcionamiento continuo satisfactorio depende del cuidado adecuado de la herramienta y de su limpieza regular.
- Si el cordón de alimentación está dañado, deberá ser reemplazado por el fabricante, su agente de servicio o personas similarmente calificadas para evitar un accidente.

### Lubricación

- Su herramienta eléctrica no requiere lubricación adicional.

### Limpieza

- Mantenga limpias las ranuras de ventilación y limpie regularmente la carcasa con un paño suave.

### Limpieza

- Mantenga limpias las ranuras de ventilación de la máquina para evitar el sobrecalentamiento del motor.
- Limpie periódicamente la carcasa de la máquina con un paño suave, preferiblemente después de cada uso.

- Mantenga las ranuras de ventilación libres de polvo y suciedad.
- Si la suciedad no sale, utilice un paño suave humedecido con agua y jabón.



**Nunca utilice disolventes tales como gasolina, alcohol, amoníaco, etc. Estos disolventes pueden dañar las piezas de plástico.**

## DATOS TÉCNICOS

Para los países sudamericanos a excepción de Brasil

Número de modelo:	Tensión	Alimentación	Temperatura	del flujo de aire	Longitud total	Peso neto
HG5030	220V~	1600 W	I 350°C II 500°C	300L/M 500L/M	233mm	0,56kg
HG6031V	220V~	1800W	I Vea más II abajo	250L/M 500L/M	257mm	0,67kg
HG6030	220V~	1800W	I 50°C II 300°C III 600°C	250L/M 250L/M 500L/M	233mm	0,57kg

### Temperatura (HG6031V)

Tensión		220V~	
Interruptor de encendido/apagado		I	II
Selector	1	50°C	100°C
	2	100°C	150°C
	3	120°C	200°C
	4	150°C	250°C
	5	200°C	300°C
	6	250°C	400°C
	7	300°C	500°C
	8	350°C	550°C
	9	400°C	600°C

**NOTA:** Cada valor de temperatura es como referencia solamente porque cambia en función de la temperatura ambiente.

## MEDIO AMBIENTE



Si su herramienta necesita ser reemplazada después de un uso prolongado, no la deseche con la basura doméstica, deséchela de forma que sea seguro para el medio ambiente.

Los residuos de herramientas eléctricas no deben ser manejados como basura doméstica normal. Recicle allí donde disponga de instalaciones para hacerlo. Consulte con la autoridad local o el vendedor para obtener recomendaciones de reciclaje.

Sujeto a cambios sin previo aviso.

# INSTRUÇÕES ORIGINAIS

## USO PRETENDIDO

A sua pistola de aquecimento foi projetada para remoção de tintas, soldar tubos, encolhimento de PVC, soldagem e obra de plástico bem como finalidades gerais de secagem e descongelamento.



**AVISO:** Para sua própria segurança, leia este manual e as instruções gerais de segurança cuidadosamente antes de usar o equipamento. Sua ferramenta elétrica só deve ser passada a terceiros juntamente com estas instruções.



A ferramenta deve ser conectada apenas a uma fonte de alimentação da mesma tensão como indicado na placa de identificação, e só pode ser operado em monofásica de alimentação AC. Eles são de isolamento duplo e, portanto, também podem ser utilizadas a partir de tomadas sem fio terra.



Superfícies quentes - Perigo de queimaduras nos dedos ou mãos.

## DESCRIÇÃO

- ① Bico
- ② Interruptor de ligar/desligar (0/1/2) HG5030 & HG6031V
- ③ Interruptor de ligar/desligar (0/1/2/3) HG6030
- ③ Tampa frontal
- ④ Discador

## LISTA DE CONTEÚDO DE PACOTE

- Verifique o aparelho, o cabo de alimentação, a tomada e todos os acessórios para danos de transporte.



**AVISO:** Os materiais de embalagem não são brinquedos! Não deixe que a criança brinque com sacos plásticos! Perigo de asfixia!

- 1 Pistola de aquecimento
- 1 Conjunto de acessórios (Acessórios podem não estar necessariamente incluídos)
- 1 Manual de instruções



Quando as peças estão faltando ou danificado, favor entrar em contato com o revendedor.

## ADVERTÊNCIAS GERAIS DE SEGURANÇA PARA FERRAMENTAS ELÉTRICAS

Leia todos os avisos de segurança e todas as instruções. A falha em seguir todos os avisos e instruções pode resultar em choque elétrico, incêndio e / ou ferimentos

graves.

**Salve todos os avisos e instruções para referência futura.**

O termo “ferramenta elétrica” nos avisos se refere à ferramenta operada por eletricidade (com fio) ou à ferramenta operada por bateria (sem fio).

### Área de trabalho

- **Mantenha a área de trabalho limpa e bem iluminada** As áreas desordenadas e escuras convidam acidentes.
- **Não opere ferramentas elétricas em atmosferas explosivas, tais como na presença e líquidos inflamáveis, gases ou poeira.** As ferramentas elétricas criam faíscas que podem inflamar a poeira ou os fumos.
- Mantenha crianças e outras pessoas afastadas enquanto opera uma ferramenta elétrica. **As distrações podem fazer você perder o controle.**

### Segurança elétrica

- **As fichas da ferramenta elétrica devem corresponder à tomada. Nunca modifique o plugue de forma alguma. Não use nenhum plugue adaptador com ferramentas elétricas aterradas.** Os plugues não modificados e as tomadas correspondentes reduzirão o risco de choque elétrico.
- **Evite o contato entre o corpo e superfícies aterradas, tais como tubos, radiadores, faixas e refrigeradores** Existe um risco aumentado de choque elétrico se seu corpo estiver aterrado ou aterrado.
- **Não exponha as ferramentas elétricas à chuva ou em condições úmidas** A água que entra em uma ferramenta elétrica aumentará o risco de choque elétrico.
- **Não abuse do cabo. Nunca use o cabo para transportar, puxar ou desconectar a ferramenta elétrica da tomada** Mantenha o cabo afastado de calor, óleo, bordas afiadas ou peças móveis. Cabos danificados ou emaranhados aumentam o risco de choque elétrico.
- **Quando manusear a ferramenta elétrica ao ar livre, use uma extensão adequada para uso ao ar livre** O uso de cabos adequados ao ar livre reduzem o risco de choques elétricos.
- **Se o uso de uma ferramenta elétrica em áreas úmidas for inevitável, utilize uma fonte de dispositivo (RCD) protegida de corrente residual** O uso de um RCD reduz o risco de choque elétrico.

### Segurança pessoal

- **Mantenha-se alerta, observe o que está fazendo e use senso comum ao operar uma ferramenta elétrica. Não use uma ferramenta elétrica quando estiver cansado ou sob a influência de drogas, álcool ou medicação** Um momento de distração ao operar ferramentas elétricas pode resultar em sérios danos pessoais.
- **Use equipamentos de segurança. Sempre use proteção para os olhos** Equipamentos de segurança, tais como máscara de pó, sapatos

de segurança antiderrapantes, chapéu de mão ou proteção auditiva, sempre que as condições exigirem, reduzirão as feridas pessoais.

- **Evite o arranque acidental. Certifique-se de que o interruptor está na posição desligada antes de ligar.** Utilizar as ferramentas eléctricas com o dedo no interruptor ou ligar as ferramentas eléctricas com o interruptor requer acidentes.
- **Remova qualquer ferramenta de ajuste ou chave antes de ligar a ferramenta.** Uma chave de boca ou de ajuste conectada a uma parte rotativa da ferramenta eléctrica pode resultar em ferimentos pessoais.
- **Não exporte demais. Mantenha o apoio e equilíbrio em todos os momentos.** Isso permite um melhor controle da ferramenta eléctrica em situações inesperadas.
- **Vestir-se adequadamente. Não use roupas soltas ou jóias. Mantenha seu cabelo, roupa e luvas longe das peças móveis.** Roupa solta, jóias ou cabelos compridos podem ser capturados em partes móveis.
- **Se forem fornecidos dispositivos para a conexão de extração e coleta de pó, certifique-se que estes estão conectados e utilizados corretamente.** O uso desses dispositivos pode reduzir os perigos relacionados com o pó.

#### *Uso e cuidado da ferramenta eléctrica*

- **Não force a ferramenta eléctrica. Use a ferramenta eléctrica certa para a sua aplicação.** A ferramenta de energia correta fará o trabalho melhor e mais segura à taxa de qual foi projetado.
- **Não use a ferramenta se o interruptor não ligar e desligar.** Qualquer ferramenta eléctrica que não pode ser controlada com o interruptor é perigosa e deve ser reparada.
- **Desconecte o plugue da fonte de energia e/ou bateria da ferramenta eléctrica antes de fazer quaisquer ajustes, trocar acessórios, ou armazenar ferramentas eléctricas.** Essas medidas preventivas de segurança reduzem o risco do acionamento acidental da ferramenta eléctrica.
- **Armazene ferramentas eléctricas fora do alcance de crianças e não permita que pessoas não familiarizadas com a ferramenta eléctrica ou estas instruções.** As ferramentas eléctricas são perigosas nas mãos de usuários não treinados.
- **Manter ferramentas eléctricas. Verificar quanto a desalinhamento ou aderência de peças móveis, quebras de peças, e quaisquer outras condições que possam afetar a operação da ferramenta.** Se danificada, a ferramenta eléctrica deve ser reparada antes da utilização. Muitos acidentes são causados por ferramentas eléctricas pouco mantidas.
- **Mantenha as ferramentas de corte sempre limpas e afiadas.** As ferramentas corretamente mantidas, lâminas de corte com arestas afiadas são menos propensas a se prendam e são mais fáceis de controlar.
- **Use a ferramenta eléctrica, os acessórios e as ferramentas etc, de acordo com estas instruções e da forma pretendida para o tipo particular de ferramenta, tendo em conta as**

**condições de trabalho e do serviço a ser realizado.** O uso da ferramenta eléctrica em operações diferentes das previstas pode resultar em uma situação de risco.

#### **Serviço**

- **Tenha seu equipamento eléctrico atendido por uma pessoa qualificada para manutenção usando apenas peças de reposição idênticas.** Isso garantirá a manutenção de segurança da ferramenta eléctrica.

## **INSTRUÇÕES DE SEGURANÇA ADICIONAIS PARA PISTOLA DE AQUECIMENTO**

- **Este aparelho não se destina à utilização por pessoas (incluindo crianças) com capacidades físicas, sensoriais ou mentais reduzidas, ou por pessoas com falta de experiência e conhecimento.**  
**As crianças devem ser supervisionadas para garantir que não brinquem com o aparelho.**
- **Pode resultar um incêndio se o aparelho não for utilizado com cuidado, portanto,**
  - **Tenha cuidado ao usar o aparelho em locais onde existem materiais combustíveis;**
  - **Não se aplique no mesmo local por muito tempo;**
  - **Não use na presença de uma atmosfera explosiva;**
  - **Esteja ciente de que o calor pode ser conduzido a materiais combustíveis que estão fora da vista;**
  - **Coloque o aparelho no suporte depois do uso e deixe esfriar antes do armazenamento;**
  - **Não deixe o aparelho desacompanhado quando estiver ligado.**
- **Não coloque a mão sobre as aberturas de ar ou bloqueie as aberturas de qualquer maneira.**
- **O bico e os acessórios desta ferramenta tornam-se extremamente quentes durante o uso. Deixe estas peças arrefecer antes de tocar.**
- **Sempre desligue a ferramenta antes de colocá-la.**
- **Não deixe o aparelho desacompanhado quando estiver ligado.**
- **Isso pode resultar um incêndio se o aparelho não for utilizado com cuidado.**
- **O calor pode ser conduzido a materiais combustíveis que estão fora da vista; Não utilizar em uma atmosfera húmida, onde gases inflamáveis pode estar presente ou perto de materiais combustíveis.**
- **Permitir que a ferramenta para esfriar completamente antes de guardar.**
- **Assegurar ventilação adequada, pois podem ser produzidos vapores tóxicos.**
- **Não use como um secador de cabelo.**
- **Não obstrua a entrada de ar ou a saída do bico, pois isso pode causar uma acumulação de calor excessiva, resultando em danos à ferramenta.**

- Não dirija a explosão de ar quente a outras pessoas.
- Não toque no bico de metal como ele fica muito quente durante o uso e permaneça quente por até 30 minutos após o uso..
- Não coloque o bico contra qualquer coisa durante a utilização ou imediatamente após o uso.
- Não insira nada para baixo do bico como ele poderia dar-lhe um choque elétrico. Não olhe para baixo o bico enquanto a unidade está funcionando por causa da alta temperatura que está sendo produzido.
- Não permita que a tinta adira ao bico ou ao raspador, pois pode inflamar-se depois de algum tempo.

#### Remoção de tinta

- Não use esta ferramenta para remover a tinta que contém chumbo. O cascas, resíduo e vapores de tinta pode conter chumbo, o qual é venenosa. Qualquer edifício anterior a 1960 pode ter sido pintado no passado com tinta contendo chumbo e coberta com camadas adicionais de tinta. Uma vez depositado em superfícies, contacto das mãos com a boca pode resultar na ingestão de chumbo. Exposição mesmo a baixos níveis de chumbo podem causar danos irreversíveis no cérebro e sistema nervoso. As crianças pequenas e fetos são particularmente vulneráveis.
- Ao remover a tinta, verifique se a área de trabalho está fechada. De preferência, use uma máscara de pó.
- Não queime a tinta. Usar o raspador e manter o bico pelo menos 25 mm de distância da superfície pintada. Ao trabalhar em uma direção vertical, trabalhar para baixo para evitar a pintura de cair na ferramenta e queimando.
- Elimine todos os restos de tinta com segurança e garantir que a área de trabalho é completamente limpo após a conclusão do trabalho.

## MONTAGE E AJUSTE



**Antes da montagem e ajuste, desligue sempre a ferramenta.**




A temperatura do ar pode ser ajustada de acordo com uma ampla gama de aplicações. A tabela abaixo sugere configurações para diferentes aplicativos.



Configuração	Aplicações
HG6030: 1	<ul style="list-style-type: none"> <li>■ Arrefecimento das partes quentes.</li> <li>■ Arrefecimento das máquinas antes de trocar o bico.</li> </ul>
HG5030: 1	■ Secagem de tintas e vernizes.
HG6031V: 1	■ Remover adesivos.
HG6030: 2	<ul style="list-style-type: none"> <li>■ Encerar e desencerar.</li> <li>■ Secar madeira molhada antes do enchimento</li> <li>■ Encolhendo e a embalagem de PVC e tubos de isolamento.</li> <li>■ Descongelando tubos congelados.</li> </ul>
HG5030: 2	■ Soldadura de materiais plásticos.
HG6031V: 2	■ Dobrando tubos e folhas de plástico.
HG6030: 3	<ul style="list-style-type: none"> <li>■ Afrouxamento de porcas e parafusos enferrujados ou apertados.</li> <li>■ Remoção de tinta e verniz.</li> <li>■ Soldadura de juntas de encanamento.</li> </ul>



**Se você não tem certeza sobre a configuração correta, comece com uma temperatura baixa e aumente gradualmente a temperatura até alcançar os melhores resultados.**

## MONTAGEM DO ACESSÓRIO CORRETO (SE APLICÁVEL)

Ícone	Descrição	Propósito
	Bicol de proteção de vidro	Janelas de proteção ao descascar quadros
	Bocal refletor	Tubos de solda
	Bocal de redução	Soldagem, encolhimento de manga (calor concentrado sobre área pequena)

Ícone	Descrição	Propósito
	Bico de ranhura larga	Secagem, descongelamento (calor espalhado sobre área mais larga)
	Raspador	Remoção de tintas e vernizes



- **Certifique-se de que a ferramenta está desligada e o bico ter arrefecido.**
- **Caindo bico pode inflamar objetos no chão. Bicos deve ser montado de forma firme e segura na unidade.**
- **Touchar um bico quente pode levar a graves queimaduras. Antes de fixação ou substituição de um bico, permitir que o aparelho arrefecer completamente ou utilizar uma ferramenta apropriada.**
- **Um bico quente pode definir uma superfície em chamas. Coloque os bicos quentes somente em superfícies à prova de fogo.**
- **Um bico incorreto ou defeituoso pode levar ao acúmulo de calor e danificar a unidade. Utilize apenas bicos originais de acordo com a tabela que são adequados para a sua unidade.**

## INSTRUÇÕES DE USO

- Sempre observe as instruções de segurança e regulamentos aplicáveis.
- Use apenas uma mão para segurar a ferramenta, não coloque sua outra mão sobre as saídas de ar antes da utilização:
- Monte o acessório correto para a aplicação.
- Ajustar a temperatura do ar desejada.

### Ligar e desligar

- Para ligar a ferramenta, coloque o interruptor liga/desliga para a posição 1/2/3. Um pouco de fumaça podem ser emitidos após a ligação, isso não indica um problema.
- Para desligar a ferramenta, ajuste a temperatura mais baixa para esfriar e, em seguida, ajuste o interruptor de ligar/desligar para a posição 0. Deixe a ferramenta esfriar antes de movê-la ou armazená-la.

### Configuração de temperatura

- Ligue/desliga o interruptor para 1/2/3, dependendo da temperatura que você precisa.

### Tampa frontal destacável

- A tampa frontal pode ser removido quando se trabalha numa zona estreita.



**Tenha cuidado com o bico quente.** Removendo a tampa frontal aumenta o risco de queimadura com o bico quente sem proteção.

### Decapagem de tinta

- Montar um acessório apropriado.
- Definir uma alta temperatura de ar.

- Ligue a ferramenta.
- Dirija o ar quente sobre a tinta a ser removida.
- Quando a tinta suaviza, raspar a tinta longe usando um raspador de mão.



**Não remova as estruturas de janela metálicas, pois o calor pode ser conduzido sobre o vidro e queimá-lo. Ao tirar outros quadros de janela, use o bico de proteção de vidro.**



**Não mantenha a ferramenta dirigida a um ponto muito longo para evitar inflamar a superfície.**



**Evite coletar tinta no acessório raspador, pois pode inflamar. Se necessário, remova cuidadosamente os restos de tinta do acessório raspador usando uma faca.**

### Utilização estacionária

Esta ferramenta também pode ser usada em modo estacionário.

- Colocar a ferramenta em um banco de trabalho estável.
- Prenda o cabo para evitar puxar a ferramenta fora da bancada.
- Cuidadosamente ligar a ferramenta.



**Certifique-se de que o bico sempre aponta para longe de você e todos os espectadores.**



**Certifique-se de não deixar cair qualquer coisa no bico.**

### **Arrefecimento**

O bico e os acessórios tornam-se extremamente quentes durante o uso. Deixe-os arrefecer antes de tentar mover ou armazenar a ferramenta.

- Para reduzir o tempo de arrefecimento, ligar a ferramenta na posição mais baixa a temperatura do ar e deixá-lo funcionar durante alguns minutos.
- Desligar a ferramenta e deixe esfriar por pelo menos 30 minutos. Sempre colocá-lo na vertical e de pé.

## **MANUTENÇÃO E LIMPEZA**



**Atenção! Antes de realizar qualquer trabalho no equipamento, retire o cabo de alimentação.**

### **Manutenção**

- Sua ferramenta elétrica foi projetada para operar durante um longo período de tempo com um mínimo de manutenção. O funcionamento contínuo e satisfatório depende de cuidados ferramenta adequada e limpeza regular.
- Caso o cabo de alimentação esteja danificado, o fabricante, agente de manutenção ou outra pessoa com qualificações semelhantes deverá substituí-lo para que se evite riscos de acidente.

### **Lubrificação**

- Sua ferramenta elétrica não requer lubrificação adicional.

### **Limpeza**

- Mantenha as aberturas de ventilação clara e limpar regularmente a caixa com um pano macio.

### **Limpeza**

- Manter as aberturas de ventilação da máquina limpa para evitar o sobreaquecimento do motor.
- Regularmente limpar o corpo da máquina com um pano macio, de preferência depois de cada utilização.
- Mantenha as aberturas de ventilação livres de poeira e sujeira.
- Se a sujeira não sair, use um pano macio umedecido com água com sabão.



**Nunca utilizar solventes tais como gasolina, álcool, água de amoníaco, etc. Estes solventes podem danificar as peças de plástico.**

## DADOS TÉCNICOS

### Para o Brasil

No. do Modelo:	Tensão	Alimentação	Temperatura	do fluxo de ar	Comprimento total	Peso líquido	
HG5030	220V~	1600W	I 350°C	300L/M 500L/M	233mm	0,56kg	
	127V~		II 500°C				
HG6031V:	220V~	1800W	I 450°C	250L/M 500L/M	257mm	0,67kg	
	127V~		II 600°C				
HG6030	220V~	1800W	I 50°C	250L/M 250L/M 500L/M	233mm	0,57kg	
			II 300°C				Veja abaixo
			III 600°C				
	127V~	1600W	I 50°C	200L/M			
			II 350°C	200L/M			
			III 550°C	400L/M			

### Temperatura (HG6031V)

Tensão	220V~		127V~		
Interruptor de ligar/desligar	I	II	I	II	
Discador	1	50°C	100°C	50°C	80°C
	2	100°C	150°C	70°C	100°C
	3	120°C	200°C	100°C	150°C
	4	150°C	250°C	120°C	200°C
	5	200°C	300°C	150°C	250°C
	6	250°C	400°C	200°C	350°C
	7	300°C	500°C	250°C	450°C
	8	350°C	550°C	300°C	500°C
	9	400°C	600°C	350°C	550°C

**NOTA:** Os valores de temperatura são apenas para referência, pois eles variam de acordo com a temperatura ambiente.

## MEIO AMBIENTE



Caso venha a precisar de substituição após o uso prolongado, não descartá-lo com o lixo doméstico, mas eliminá-lo de uma forma ambientalmente segura.

Os resíduos produzidos por itens de máquinas elétricas não devem ser tratados como lixo doméstico normal. Recicle onde existem instalações. Verifique com sua autoridade local ou revendedor para informações sobre reciclagem.

Sujeito a alterações sem aviso prévio.

## МАҚСАТТЫ ПАЙДАЛАНУ

Термофен бояуды түсіруге, құбырларды дәнекерлеуге, ПВХ термошөгуге, пластикті дәнекерлеуге және майыстыруға, сонымен бірге жалпы кептіруге және еріту мақсаттарына арналған.



**ЕСКЕРТУ:** қауіпсіздік үшін осы құрылғыны пайдалану алдында осы нұсқаулықты және жалпы қауіпсіздік туралы нұсқауларды оқып шығыңыз. Электр құралды тек осы нұсқаулармен бірге басқа адамға тапсыру керек.



Құралды тек зауыттық тақтайшада көрсетілген кернеуі бар қуат көзіне қосу керек және ол тек бір фазалық айналымы ток көзінде жұмыс істей алады. Олар екі рет оқшауланған, сондықтан оларды жер сымы жоқ розеткаларда да пайдалануға болады.



Ыстық беттер - саусақтар немесе қолдар күйі мүмкін.

## СИПАТТАМА

- 1 Сапатама
- 2 Қосу/өшіру ауыстырып-қосқышы (0/1/2) HG5030 & HG6031V  
Қосу/өшіру ауыстырып-қосқышы (0/1/2/3) HG6030
- 3 Алдыңғы қақпақ
- 4 Диск

## ОРАУЫШ ҚҰРАМЫНЫҢ ТІЗІМІ

- Құрылғыда, қуат сымында, қуат ашасында және барлық қосалқы құралдарда тасымалдау зақымдары жоқ екенін тексеріңіз.



**ЕСКЕРТУ:** орауыш материалдар ойыншық емес! Балалар пластик пакеттермен ойнамауы керек! Тұншығу қаупі бар!

- 1 Термофен
- 1 Қосалқы құралдар жинағы (Қосалқы құралдар жинаққа кірмеуі де мүмкін)
- 1 Пайдалану нұсқаулығы



Бөліктер жоқ болса немесе зақымдалған болса, дилерге хабарласыңыз.

## Электрлік құралдың жалпы қауіпсіздік ескертулері

Барлық қауіпсіздік ескертулері мен нұсқауларын оқып шығыңыз. Төменде берілген барлық ескертулер мен нұсқауларды орындамаған

жағдайда, электр тогының соғуы, өрт шығуы және/немесе ауыр жарақат алуға себеп болуы мүмкін.

### Алдағы уақытта қолдану үшін барлық ескерту мен нұсқауды сақтап қойыңыз.

Ескертулердегі “электрлік құрал” термині қуат көзінен жұмыс істейтін (сымды) электрлік құралды немесе аккумулятормен жұмыс істейтін (сымсыз) электрлік құралды білдіреді.

### Жұмыс аймағындағы қауіпсіздік

- **Жұмыс аймағы таза әрі жарық болуы керек.** Лас немесе қараңғы аймақтарда жазатайым оқиғалар туындауы мүмкін.
- **Электрлік құралды айналасында тез тұтанатын сұйықтық, газ немесе шаң сияқты заттардан тұратын жарылыс қаупі бар орталарда пайдаланбаңыз.** Электрлік құралдар шаң немесе газды тұтандыратын электр ұшқындарын шығарады.
- **Электрлік құралды пайдаланған кезде, балалар және бөгде адамдар алшақ жүруі керек.** Басқа нәрсеге алаңдасаңыз, құралға ие бола алмай қалуыңыз мүмкін.

### Электрлік қауіпсіздік

- **Электрлік құралдың ашасы розеткаға сәйкес келуі керек.** Ашаны ешбір жағдайда өзгертпеңіз. Адаптер ашаларын жерге тұйықталған электрлік құралдармен пайдаланбаңыз. Өзгертілмеген ашалар мен сәйкес келетін розеткалар электр тогының соғу қаупін азайтады.
- **Түтіктер, радиаторлар, жылу батареялары және тоңазытқыштар сияқты жерге тұйықталған беттерді ұстамаңыз.** Егер дәнеңіз жерге тұйықталатын болса, ток соғу қаупі жоғары.
- **Электрлік құралдарды жаңбырдың астына немесе ылғалды жерлерге қоймаңыз.** Электрлік құралға су кіретін болса, ток соғу қаупі артады.
- **Қуат шнурын дұрыс пайдаланыңыз.** Электрлік құралды тасу, тарту немесе қуат көзінен ажырату үшін қуат шнурын пайдалануға болмайды. Қуат шурурына ыстық зат, май, өткір жиек немесе қозғалмалы бөлшектер тимеуі керек. Зақымдалған немесе оралған қуат шурурлары ток соғу қаупін арттырады.
- **Электрлік құралды сыртта пайдаланғанда, сыртта қолдануға жарамды ұзартқышты қолданыңыз.** Сыртта қолдануға жарамды шуруды пайдалану ток соғу қаупін азайтады.
- **Егер электрлік құралды ылғалды жерде пайдалану керек болса, қорғаныстық ажырату құрылғысын (RCD) пайдаланыңыз.** Қорғаныстық ажырату құрылғысын пайдалану ток соғу қаупін азайтады.

### Жеке қауіпсіздік

- **Электрлік құралды пайдаланған кезде, жасап жатқан жұмысыңызға қырағылық танытып, мұқият болыңыз.** Шаршағанда немесе есірткі, алкоголь немесе

дәрі-дәрмектің әсерінде болған кезде электрлік құралды пайдаланбаңыз. Электрлік құралды пайдалану кезінде сәл ғана аңсыздық таныту ауыр жарақатқа әкелуі мүмкін.

■ **Жеке қорғаныс жабдығын пайдаланыңыз. Міндетті түрде қорғаныс көзділдірігін тағыңыз.** Шаңнан қорғайтын маска, сырғанамайтын қорғаныс аяқ киімі, каска немесе құлаққап сияқты қорғаныс жабдықтарын тиісті жағдайларда қолдану жарақаттану қаупін азайтады.

■ **Кездейсоқ іске қосудың алдын алыңыз. Құралды қуат көзіне және/немесе аккумулятор блогына қоспас бұрын, оны жинап немесе тасымалдамас бұрын, ауыстырып-қосқыш өшірулі күйде екеніне көз жеткізіңіз.** Саусақ электрлік құралдың ауыстырып-қосқышында тұрған кезде оны тасымалдау немесе ауыстырып-қосқышы қосуы электрлік құралды қуат көзіне қосу жазатайым оқиғаға әкелуі мүмкін.

■ **Электрлік құралды қоспас бұрын, реттегіш немесе сомынды бұрайтын кілттерді алып тастаңыз.** Электрлік құралдың айналмалы бөлігінде реттегіш немесе сомынды бұрайтын кілт бекітулі қалса, жарақаттауы мүмкін.

■ **Тым артық күш салмаңыз. Өрдайым тұрақты және тепе-теңдік сақтайтын күйде болыңыз.** Бұл күтпеген жағдайда электрлік құралды жақсы басқаруға мүмкіндік береді.

■ **Жұмысқа сай киініңіз. Бос киім кимеңіз және әшекей тақпаңыз. Шаш, киім және қолғабыңызды қозғалмалы бөлшектерден алшақ ұстаңыз.** Бос киім, әшекейлер немесе ұзын шаш қозғалмалы бөлшектерге ілініп қалуы мүмкін.

■ **Шаң тұту және жинау құрылғылары қамтамасыз етілген болса, олардың қосуы екендігіне және дұрыс қолданылып жатқанына көз жеткізіңіз.** Шаң жинау құрылғысын пайдалану шаңмен байланысты қауіпті азайтуы мүмкін.

**Электрлік құралды пайдалану және күтім жасау**

■ **Электрлік құралға артық күш түсірмеңіз. Орындалатын жұмысқа сәйкес келетін электрлік құралды пайдаланыңыз.** Дұрыс таңдалған электрлік құрал өзіне жүктелген жұмысты жақсы және қауіпсіз істейді.

■ **Ауыстырып-қосқышы ақаулы электрлік құралды пайдаланбаңыз.** Ауыстырып-қосқышы ақаулы кез келген электрлік құрал қауіп төндіреді және оны жөндеу керек.

■ **Кез келген реттеулер жасамас бұрын, керек жарақаттарды ауыстырмас бұрын немесе электрлік құралдарды ұзақ уақытқа сақтамас бұрын, ашаны қуат көзінен ажыратыңыз және/немесе аккумулятор блогы бар болса, оны шығарып алыңыз.** Осындай алдын алу шаралары электрлік құралдың кездейсоқ іске қосылу қаупін азайтады.

■ **Электрлік құралдарды балалардың қолы жетпейтін жерде сақтаңыз, сонымен қатар электрлік құралмен жұмыс істей алмайтын және осы нұсқауларды оқымаған тұлғаларға құралды пайдалануға рұқсат етпеңіз.** Арнайы жаттығудан өтпеген пайдаланушылар үшін электрлік құрал қауіп төндіреді.

■ **Электр құралдарына техникалық қызмет көрсетіңіз.** Қозғалмалы бөлшектердің ауытқуы және оралуы, зақымдалған бөлшектер және электрлік құралдың жұмысына кері әсер ететін басқа жағдайлардың бар-жоғын тексеріңіз. Зақымы болса, электрлік құралды жөндеген соң бірақ пайдаланыңыз. Жазатайым оқиғалардың көбі электрлік құралдарға дұрыс техникалық қызмет көрсетілмеу себебінен болады.

■ **Кесу құралдары өткір және таза болуы керек.** Кескіш жиектері өткір кесу құралдарын дұрыс пайдалансаңыз, олар тұрып қалмайды және басқаруға оңай.

■ **Электрлік құралды, керек-жарақтарды және қондырмаларды, т.б. жұмыс жағдайы мен орындалатын жұмысты ескере отырып, осы нұсқауларға сәйкес пайдаланыңыз.** Электрлік құралды басқа мақсатта пайдаланған жағдайда, қауіпті жағдай туындауы мүмкін.

**Қызмет көрсету**

■ **Электрлік құралды білікті маманға жөндетіп алыңыз, ол тиісті қосалқы бөлшектерді пайдалануы керек.** Бұл электрлік құралдың қауіпсіздігін қамтамасыз етеді.

## **ТЕРМОФЕНГЕ АРНАЛҒАН ҚОСЫМША ҚАУІПСІЗДІК ТУРАЛЫ НҰСҚАУЛАР**

■ **Бұл құрылғы дене, сезім немесе ақыл-ой қабілеттері төмен (соның ішінде балалардың) немесе тәжірибесі және білімі жоқ адамдардың пайдалануына арналмаған.** Бұл құрылғымен ойнамауын қамтамасыз ету үшін балаларды қадағалау керек.

■ **Сондықтан, құрылғыны сақтықпен пайдаланбаса, өрт туындауы мүмкін**

– құрылғыны тұтанғыш материалдар бар жерлерде пайдаланғанда сақ болыңыз;

– бір жерге ұзақ уақыт бойы қолданбаңыз;

– жарылғыш атмосфера бар жерде пайдаланбаңыз;

– жылу көрінбей тұрған тұтанғыш материалдарға өтуі мүмкін екенін ескеріңіз;

– пайдаланудан кейін құрылғыны тұрғысына қойыңыз және сақтауға қою алдында салқындатыңыз;

– қосулы кезінде құрылғыны қараусыз қалдырмаңыз.

■ **Ауа саңылауларының үстіне қолды қоймаңыз немесе саңылауларды ешбір жолмен жаппаңыз.**

■ **Бұл құралдың саптамасы және қосалқы құралдары пайдалану кезінде қатты қызды. Тимей тұрып бұл бөліктердің салқындауын күтіңіз.**

■ **Қою алдында өрдайым құралды өшіріңіз.**

■ **Қосулы кезінде құрылғыны қараусыз қалдырмаңыз.**

■ **Құрылғыны сақтықпен пайдаланбаса, өрт туындауы мүмкін.**

- Жылу көрінбей тұрған тұтанғыш материалдарға өтуі мүмкін екенін ескеріңіз. Ылғалды атмосферада, тұтанғыш газ болуы мүмкін жерде немесе тұтанғыш материалдардың жанында пайдаланбаңыз.
- Сақтауға қою алдында құралды толығымен салқындатыңыз.
- Тиісті желдетуді қамтамасыз етіңіз, өйткені уытты түтіндер пайда болуы мүмкін.
- Фен ретінде пайдаланбаңыз.
- Ауа кіретін тесікті немесе саптама шығысын жаппаңыз, өйткені бұл артық жылудың жиналуын тудырып, құралдың зақымдалуына әкелуі мүмкін.
- Ыстық ауа ағынын адамдарға бағыттамаңыз.
- Металл саптамаға тимеңіз, өйткені ол пайдалану кезінде қатты қызғанды және пайдаланудан кейін 30 минутқа дейін ыстық болып қалады.
- Пайдалану кезінде немесе пайдаланудан кейін бірден саптаманы ештеңеге тіреп қоймаңыз.
- Саптамаға ештеңені тигізбеңіз, өйткені сізді тоқ соғуы мүмкін. Құрылғы жұмыс істеп жатқанда саптамаға қарамаңыз, өйткені жоғары температура болады.
- Бояудың саптамаға немесе қырғышқа жабысуына жол бермеңіз, өйткені ол біраз уақыттан кейін тұтануы мүмкін.

#### Бояуды кетіру

- Бұл құралды құрамында қорғасын бар бояуды кетіру үшін пайдаланбаңыз. Бояу қабықтары, қалдығы және булары улы қорғасынды қамтуы мүмкін. 1960 жылға дейінгі кез келген ғимарат бұрын қорғасынды қамтитын бояумен боялған және бояудың қосымша қабаттарымен жабылған болуы мүмкін. Беттерде жиналғаннан кейін қол және ауызға тиюі қорғасынның енуіне әкелуі мүмкін. Қорғасынның тіпті төмен деңгейлерінің де әсері ми және жүйке жүйелеріне түзету мүмкін емес зақым тудыруы мүмкін. Жас және туылмаған балалар әсіресе осал болып табылады.
- Бояуды кетіргенде жұмыс аумағының қоршалуын қамтамасыз етіңіз. Шаңнан қорғайтын маскада жұмыс істеген жөн.
- Бояуды күйдірмеңіз. Қырғышты

пайдаланыңыз және саптаманы боялған беттен кемінде 25 мм қашықтықта ұстаңыз. Тік бағытта жұмыс істегенде бояудың құралға тиіп, күйдіруін болдырмау үшін төмен қарай жұмыс істеңіз.

- Бояудың бүкіл қоқыстарын қауіпсіз түрде қоқысқа лақтырыңыз және жұмысты аяқтағаннан кейін жұмыс аумағының мұқият тазалануын қамтамасыз етіңіз.

## ЖИНАУ ЖӘНЕ РЕТТЕУ



**Жинау және реттеу алдында әрқашан құралды розеткадан суырыңыз.**


Ауа температурасын қолдану жағдайларының кең ауқымына қолайлы етіп реттеуге болады. Төмендегі кестеде әртүрлі қолдану жағдайларына арналған параметрлер ұсынылған.


Параметр	Қолдану жағдайлары
HG6030: 1	<ul style="list-style-type: none"> <li>■ Ыстық бөліктерді салқындату.</li> <li>■ Саптаманы ауыстыру алдында құрылғыларды салқындату.</li> </ul>
HG5030: 1	■ Бояуды және лакты кептіру.
HG6031V: 1	■ Жапсырмаларды алу.
HG6030: 2	<ul style="list-style-type: none"> <li>■ Балауыздау және балауызды кетіру.</li> <li>■ Толтыру алдында ылғалды ағашты кептіру.</li> <li>■ ПВХ орауыш және оқшаулау түтіктерін термостөктіру.</li> <li>■ Қатқан құбырларды еріту.</li> </ul>
HG5030: 2	■ Пластикті дөнекерлеу.
HG6031V: 2	■ Пластик құбырларды және табақтарды майыстыру.
HG6030: 3	<ul style="list-style-type: none"> <li>■ Тот басқан немесе қатты тартылған сомындарды және бұрандамаларды босату.</li> <li>■ Бояуды және лакты кетіру.</li> <li>■ Қорғасынды қосылымдарды дөнекерлеу.</li> </ul>



**Дұрыс параметрді білмесеңіз, төмен температура параметрінен бастаңыз және оңтайлы нәтижелерге жеткенше температураны біртіндеп арттырыңыз.**

## ДҰРЫС ҚОСАЛҚЫ ҚҰРАЛДЫ БЕКІТУ (ТИІСТІ БОЛСА)

Белгіше	Сипаттама	Мақсат
	Шыныны қорғау саптамасы	Жақтауларды ашқанда терезелерді қорғаңыз

Белгіше	Сипаттама	Мақсат
	Шағылыстырғыш саптамасы	Құбырларды дәнекерлеу
	Редуктор саптамасы	Дәнекерлеу, термоөгімді гильза (жылу шағын аумақта шоғырланады)
	Кең ұяшықты саптама	Кептіру, еріту (жылу кең аумақта таралады)
	Қырғыш	Бояуды және лакты кетіру



- Құрал өшірулі және саптама салқындағанын тексеріңіз.
- Құлағанда саптама едендегі заттарды тұтандыруы мүмкін. Саптамаларды құрылғыда берік түрде бекіту керек.
- Ыстық саптамаға тию ауыр күйікке әкелуі мүмкін. Саптаманы жалғау немесе қайта орнату алдында құрылғыны толығымен салқындатыңыз немесе қолайлы құралды пайдаланыңыз.
- Ыстық саптама бетті тұтандыруы мүмкін. Ыстық саптамаларды тек отқа төзімді беттерге қойыңыз.
- Дұрыс емес немесе ақаулы саптама жылудың жиналуына әкеліп, құрылғыны зақымдауы мүмкін. Кестеге сай құрылғыңызға жарайтын түпнұсқалық саптамаларды ғана пайдаланыңыз.

## ПАЙДАЛАНУ ТУРАЛЫ НҰСҚАУЛАР

- Өрқашан қауіпсіздік туралы нұсқауларды және тиісті ережелерді сақтаңыз.
- Құралды ұстау үшін тек бір қолыңызды пайдаланыңыз, іске қосу алдында екінші қолыңызды ауа саңылауларының үстіне қоймаңыз.
- Қолдану жағдайы үшін дұрыс қосалқы құралды бекітіңіз.
- Қалаған ауа температурасын орнатыңыз.

### Қосу және өшіру

- Құралды қосу үшін қосу/өшіру ауыстырып-қосқышын 1/2/3 күйіне орнатыңыз. Қосудан кейін біраз түтін шығуы мүмкін, бұл мәселені көрсетпейді.
- Құралды өшіру үшін салқындату үшін ең төмен температураны реттеңіз, содан кейін қосу/өшіру ауыстырып-қосқышын 0 күйіне орнатыңыз. Жылжыту немесе сақтауға қою алдында құралды салқындатыңыз.

### Температураны орнату

- Қажетті температураға байланысты ҚОСУ/ӨШІРУ ауыстырып-қосқышын 1/2/3 күйіне бұрыңыз.

### Алынбалы алдыңғы қақпақ

- Енсіз аумақта жұмыс істеп жатқанда алдыңғы қақпақты алуға болады.



**Ыстық саптамадан сақ болыңыз.**  
Алдыңғы қақпақты алу ашық ыстық саптамадан күйік алу қаупін арттырады.

### Бояуды кетіру

- Тиісті қосалқы құралды бекітіңіз.
- Жоғары ауа температурасын орнатыңыз.
- Құралды қосыңыз.
- Кетіру керек бояуға ыстық ауаны бағыттаңыз.
- Бояу жұмсарғанда қол қырғышымен бояуды қырып кетіріңіз.



**Металл терезе жақтауларының бояуын ашпаңыз, өйткені жылу шыныға өтіп, оны сындыруы мүмкін. Басқа терезе жақтауларының бояуын ашқанда шыныны қорғау саптамасын пайдаланыңыз.**



**Беттің тұтануын болдырмау үшін құралды бір нүктеге тым ұзақ бағытталған күйде ұстамаңыз.**



**Бояудың қырғыш қосалқы құралда жиналуын болдырмаңыз, өйткені ол тұтануы мүмкін. Қажет болса, пышақты пайдаланып қырғыш қосалқы құралдан бояу қоқыстарын ақырын кетіріңіз.**

## Стационарлық пайдалану

Сондай-ақ бұл құралды стационарлық режимде пайдалануға болады.

- Құралды қозғалыссыз верстакқа қойыңыз.
- Құралдың верстактан ажырауын болдырмау үшін кабельді бекітіңіз.
- Құралды ақырын қосыңыз.



**Саптаманың әрқашан сізден және маңайдағы адамдардан басқа жаққа бағытталуын қамтамасыз етіңіз.**



**Саптамаға ештеңені түсіріп алмаңыз.**

## Салқындату

Пайдалану кезінде саптама және қосалқы құрал өте қызады. Құралды жылжытуға немесе сақтауға қоюға әрекеттену алдында оларды салқындатыңыз.

- Салқындату уақытын азайту үшін құралды ең төмен ауа температурасы параметріне орнатыңыз және бірнеше минут бойы жұмыс істетіңіз.
- Құралды өшіріңіз және оны кемінде 30 минут бойы салқындатыңыз. Оны әрқашан тік күйінде тұрғызыңыз.

## ТЕХНИКАЛЫҚ ҚЫЗМЕТ КӨРСЕТУ ЖӘНЕ ТАЗАЛАУ



**Назар аударыңыз! Жабдықта кез келген жұмысты орындау алдында қуат ашасын суырыңыз.**

## Техникалық қызмет көрсету

- Электр құрал минималды техникалық қызмет көрсетумен ұзақ уақыт бойы жұмыс істейтіндей жобаланған. Үздіксіз қанағаттанарлық жұмыс құралды тиісті түрде күтуге және жүйелі түрде тазалауға байланысты.
- Қауіпті болдырмау үшін зақымдалған желілік сымды өндіруші, оның қызмет көрсету агенті немесе сол сияқты білікті адамдар ауыстыруы керек.

## Майлау

- Электр құрал қосымша майлауды қажет етпейді.

## Тазалау

- Желдету саңылауларын таза ұстаңыз және корпусы жұмсақ шүберекпен жүйелі түрде тазалап тұрыңыз.

## Тазалау

- Мотордың қызып кетуін болдырмау үшін құрылғының желдету саңылауларын таза ұстаңыз.
- Құрылғы корпусын жұмсақ шүберекпен жүйелі түрде тазалап тұрыңыз (мұны әрбір пайдаланудан кейін істеген жөн).

- Желдету саңылауларын шаңнан және кірден таза ұстаңыз.
- Кір кетпесе, сабынды сумен ылғалдандырылған жұмсақ шүберекті пайдаланыңыз.



**Бензин, алкоголь, аммиакты су, т.б. сияқты еріткіштерді ешқашан пайдаланбаңыз. Бұл еріткіштер пластик бөліктерді зақымдауы мүмкін.**

## ТЕХНИКАЛЫҚ ДЕРЕКТЕР

### Оңтүстік Америка елдерін қоспағанда

Үлгі нөмірі:	Көрнеу	Қуат	температурасы	Ауа ағынының	Жалпы ұзындығы	Таза салмақ
HG5030	220-240V~	1600 W	I 350°C II 500°C	300L/M 500L/M	233mm	0,56 кг
HG6031V	220-240V~	1800W	I Төмендегіні II қараңыз	250L/M 500L/M	257mm	0,67 кг
HG6030	220-240V~	1800W	I 50°C II 300°C III 600°C	250L/M 250L/M 500L/M	233mm	0,57 кг

### температурасы (HG6031V)

Көрнеу		220-240V~	
Қосу/өшіру ауыстырып-қосқышы		I	II
Диск	1	50°C	100°C
	2	100°C	150°C
	3	120°C	200°C
	4	150°C	250°C
	5	200°C	300°C
	6	250°C	400°C
	7	300°C	500°C
	8	350°C	550°C
	9	400°C	600°C

**ЕСКЕРТПЕ:** Әр температура мәні тек анықтама беруге арналған, себебі ол қоршаған орта температурасына байланысты өзгереді.

## ҚОРШАҒАН ОРТА



Ұзақ пайдаланудан кейін құрылғыны ауыстыру керек болса, оны тұрмыстық қоқыспен бірге лақтырмаңыз, ал қоршаған ортаға қауіпсіз жолмен лақтырыңыз.

Электр құрылғының элементтері тудырған қоқысты қалыпты тұрмыстық қоқыс ретінде лақтырмау керек. Мекемелер бар болса, қайта өңдеуге беріңіз. Жергілікті билік органынан немесе ритейлерден қайта өңдеу туралы кеңесті сұраңыз.

Ескертусіз өзгеруі мүмкін.

**Makita Corporation**  
3-11-8, Sumiyoshi-cho,  
Anjo, Aichi 446-8502 Japan  
[www.makita.com](http://www.makita.com)