



SG

SINGAPORE

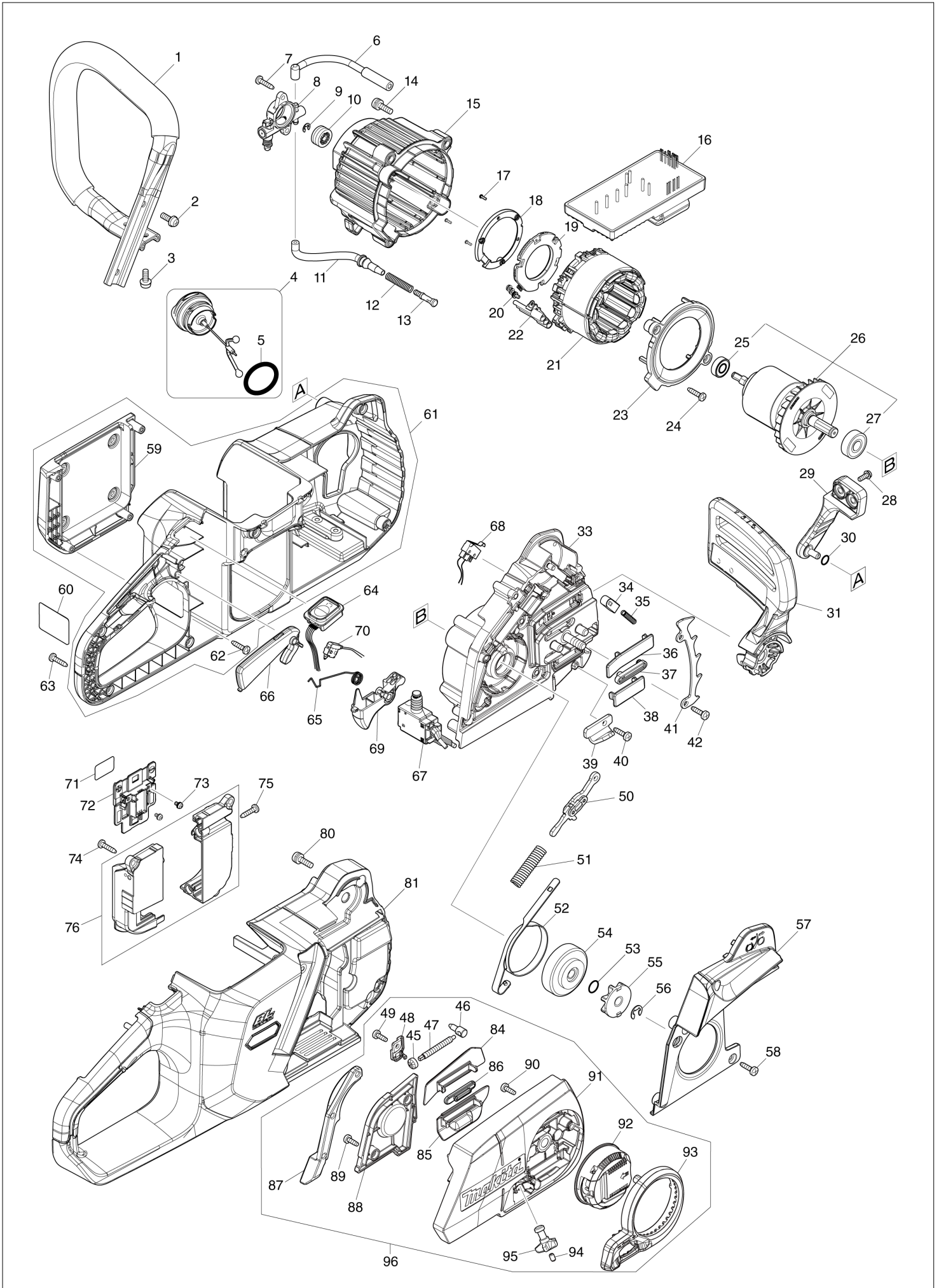
# Diagram / Parts List

**UC015G**

**350MM CORDLESS CHAIN SAW**



(SG) UC015G / 350MM CORDLESS CHAIN SAW



SG

SINGAPORE

## UC015G / 350MM CORDLESS CHAIN SAW

Item	Sub	Parts No.	Parts Description	Qty	I/C	E/C No.	Close No.	Remark
001		327932-9	FRONT HANDLE	1				
002		911218-7	PAN HEAD SCREW M5X14	2				
003		911218-7	PAN HEAD SCREW M5X14	2				
004		122A77-2	TANK CAP ASSEMBLY	1				
	D10		INC. 5					
005-1		213A30-0	O-RING 29.5	1				
006		422835-3	OIL TUBE 3-117	1				
007		266326-2	TAPPING SCREW 4X18	2				
008		142857-4	OIL PUMP COMPLETE	1				
009		961011-9	STOP RING E-4	1				
010		226884-0	WORM GEAR	1				
011		422836-1	OIL TUBE 3-108	1				
012		231975-4	SPRING	1				
013		452666-6	NIPPLE	1				
014		911228-4	PAN HEAD SCREW M5X18	3				
015		413C89-1	MOTOR HOUSING	1				
016-1		620P47-0	CONTROLLER	1				
017		266490-9	TAPPING SCREW PT 2X6	3				
018		687B69-9	STOPPER	1				
019		620H75-7	CONTROLLER B	1				
020		652031-1	PAN HEAD SCREW M3X6	3				
021		629B00-9	STATOR	1				
022		632T19-7	LEAD UNIT	1				
023		413C90-6	BAFFLE PLATE	1				
024		266326-2	TAPPING SCREW 4X18	2				
025		210016-9	BALL BEARING 698ZZ	1				
026-1		519732-3	ROTOR ASSY	1				
	D10		INC. 25,27					
027		210059-1	BALL BEARING 6000DDW	1				
028		911118-1	PAN HEAD SCREW M4X12	2				
029		413C92-2	FRONT HAND GUARD RETAINER	1				
030		213594-8	O RING 7	1				
031		141J69-6	FRONT HAND GUARD COMPLETE	1				
	C10	8050E6-6	CAUTION LABEL	1				
033		136612-4	HOUSING BASE ASSEMBLY	1				
	C10	263002-9	RUBBER PIN 4	1				
034		313398-9	HAND GUARD GUIDE	1				
035		234210-9	COMPRESSION SPRING 3	1				
036		413D07-5	GUARD A	1				
037		422834-5	GROMMET A	1				
038		413D08-3	GUARD B	1				
039		347924-2	CHAIN CATCHER	1				
040		266034-5	TAPPING SCREW CT 4X16	1				
041		347925-0	SPIKE BUMPER	1				
042		266034-5	TAPPING SCREW CT 4X16	1				
045		227496-2	STRAIGHT BEVEL GEAR 14	1				
046		326310-0	ADJUST PIN	1				
047		327958-1	ADJUST SCREW	1				
048		413F29-7	COVER	1				
049		266427-6	TAPPING SCREW 4X12	1				
050		141E60-4	LINK PLATE COMPLETE	1				
051		232452-9	COMPRESSION SPRING 7	1				
052		347922-6	BRAKE BAND COMPLETE	1				
053		213060-5	O RING 10	1				
054		162979-4	BRAKE DRUM	1				
055		191V91-5	SPROCKET 7 SET	1				
056		961013-5	STOP RING E-7	1				
057		413C95-6	BRAKE COVER	1				
058		266034-5	TAPPING SCREW CT 4X16	6				
059		413C88-3	BATTERY COVER	1				
060		8117L7-5	UC015G NAME PLATE	1				
061-1		137024-4	HOUSING L ASSEMBLY	1				
	D10		INC. 59,62					
062		266326-2	TAPPING SCREW 4X18	4				
063		266326-2	TAPPING SCREW 4X18	9				

A:UC015GZ(N)  
B:UC015GT101(H)Interchange  
O : Yes  
X : No  
< : the new part can be substituted for the current.  
> : the current part can be substituted for the new.  
S : Interchangeable as a set.

<b>SG</b>	<b>SINGAPORE</b>
-----------	------------------

### UC015G / 350MM CORDLESS CHAIN SAW

Item	Sub	Parts No.	Parts Description	Qty	I/C	E/C No.	Close No.	Remark
064		620J22-0	SWITCH CIRCUIT COMPLETE	1				
	C10	810D46-0	SWITCH LABEL	1				
065-1		232850-7	TORSION SPRING 10	1				
066-1		141V01-2	LOCK OFF LEVER COMPLETE	1				
067		650024-2	SWITCH C3JR-4B-PAND4-1	1				
068		632T50-3	SWITCH UNIT	1				
069		413C93-0	SWITCH LEVER	1				
071		8117M0-6	UC015G SERIAL NO. LABEL	1				
072		632T07-4	TERMINAL UNIT	1				
073		652031-1	PAN HEAD SCREW M3X6	2				
074		266326-2	TAPPING SCREW 4X18	3				
075		266326-2	TAPPING SCREW 4X18	2				
076		183V16-3	TERMINAL BOX SET	1				
	C10	263005-3	RUBBER PIN 6	2				
080		911228-4	PAN HEAD SCREW M5X18	4				
081-1		137216-5	HOUSING R ASS'Y	1				
	C10	8025F3-0	XGT LOGO LABEL	1				
084		413F27-1	GUARD C	1				
085		413F28-9	GUARD D	1				
086		422833-7	GROMMET	1				
087		422832-9	CHIP GUIDE	1				
088		413F26-3	INNER COVER	1				
089		266427-6	TAPPING SCREW 4X12	2				
090		266427-6	TAPPING SCREW 4X12	3				
091		413F24-7	SPROCKET COVER	1				
092		142235-8	NUT COMPLETE	1				
093		413F25-5	NUT COVER	1				
094		263002-9	RUBBER PIN 4	1				
095		142665-3	DRIVE GEAR COMPLETE	1				
096		183W23-2	SPROCKET COVER SET	1				
	D10		INC. 45-49,84-95					
A01		191T87-4	GUIDE BAR 14 SET	1				
A02-1		419288-5	CHAIN COVER	1				
A03		199897-3	OIL VESSEL SET	1				
A04		191T91-3	SAW CHAIN 14 SET	1				
A05		782023-7	WRENCH 13-16	1				
A07B		412393-7	BATTERY COVER	1				
A08B		***DC40RA	DC40RA FAST CHARGER	1				
	D10		COMPO-PARTS					
A09B		191L47-8	BATTERY BL4050F SET	1				
A10-1		D-70948	FILE HOLDER SET 4.0MM(5/32")	1				
F01		191G24-0	GUIDE BAR 14 SET	1				
F02		191G25-8	GUIDE BAR 16 SET	1				
F03		191G26-6	GUIDE BAR 18 SET	1				
F04		191H11-5	SAW CHAIN 14 SET	1				
F05		191H12-3	SAW CHAIN 16 SET	1				
F06		191H13-1	SAW CHAIN 18 SET	1				
F13		191V90-7	SPROCKET 6 SET	1				
F14		191V91-5	SPROCKET 7 SET	1				
F17		195093-1	CHAIN OIL SET	1				
F18-1		D-70948	FILE HOLDER SET 4.0MM(5/32")	1				
F22		1914F7-4	SAW CHAIN 14 SET	1				
F23		1914F8-2	SAW CHAIN 16 SET	1				

A:UC015GZ(N)  
B:UC015GT101(H)

Interchange  
O : Yes  
X : No  
< : the new part can be substituted for the current.  
> : the current part can be substituted for the new.  
S : Interchangeable as a set.