



QA	
----	--

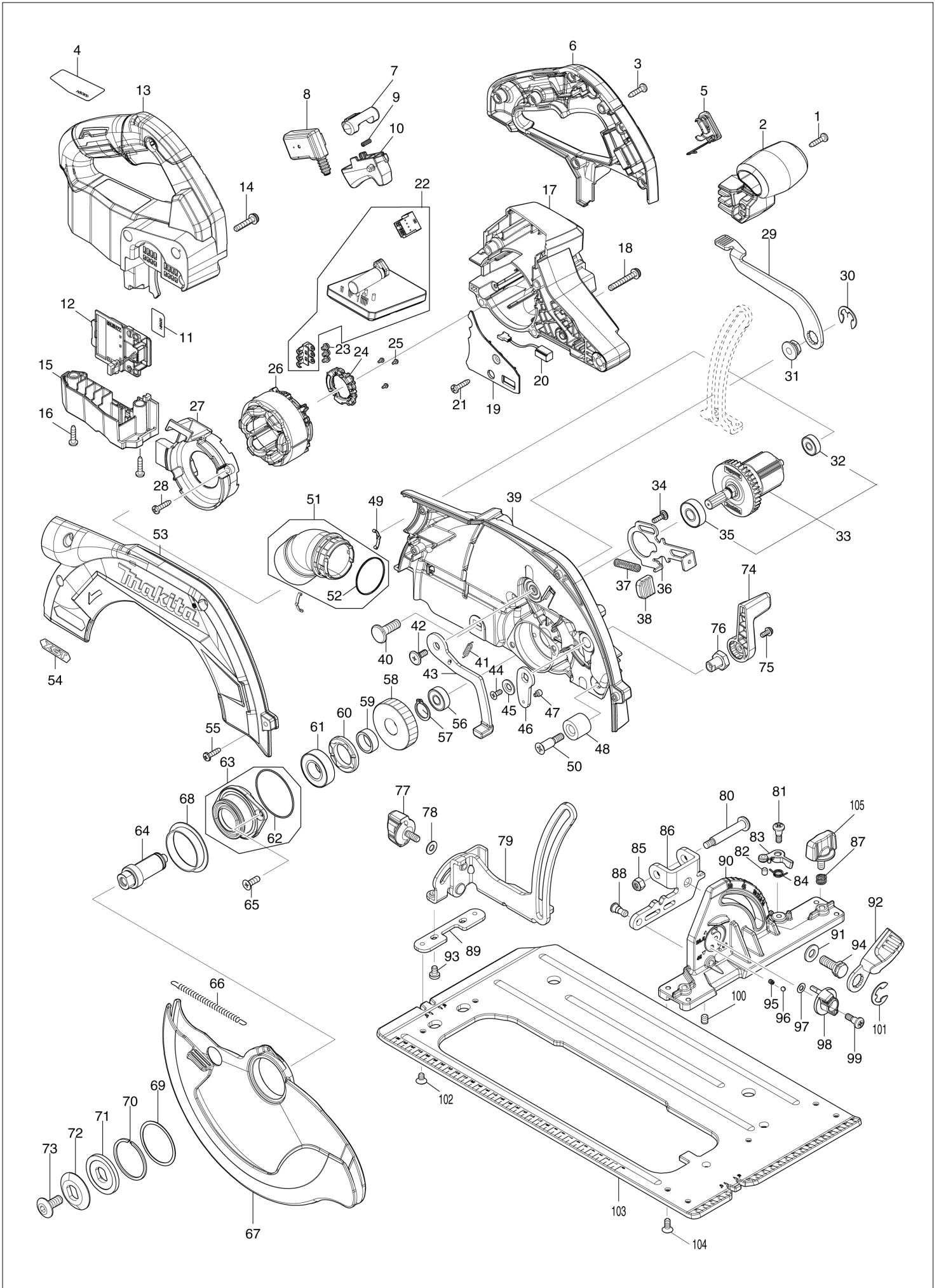
# Diagram / Parts List

**HS010G**

**235MM CORDLESS CIRCULAR SAW**



# (QA) HS010G / 235MM CORDLESS CIRCULAR SAW



## HS010G / 235MM CORDLESS CIRCULAR SAW

Item	Sub	Parts No.	Parts Description	Qty	I/C	E/C No.	Close No.	Remark
001		266326-2	TAPPING SCREW 4X18	1				
002		413C21-5	FRONT GRIP	1				
003		266326-2	TAPPING SCREW 4X18	6				
004		8114R3-7	HS010G NAME PLATE	1				
005		140F99-0	CAP COMPLETE	1				
	C10	213A05-9	O-RING16	1				
006		183U47-6	HANDLE SET	1				
	C10	263005-3	RUBBER PIN 6	1				
	D10		INC. 13					
007		419704-7	LOCK OFF BUTTON	1				
008		650008-0	SWITCH C3XB-1LPSPM	1			DH623	
008-1		650039-9	SWITCH C3XB-1LPSPM	1	<	DH623		
009		231433-0	COMPRESSION SPRING 4	1				
010		413C24-9	SWITCH LEVER	1				
011		8114R5-3	HS010G SERIAL NO. LABEL	1				
012		632P65-6	TERMINAL UNIT	1				
013		183U47-6	HANDLE SET	1				
	C10	263005-3	RUBBER PIN 6	1				
	D10		INC. 6					
014		911243-8	PAN HEAD SCREW M5X25	3				
015		141G16-9	TERMINAL HOUSING COMPLETE	1				
	C10	263005-3	RUBBER PIN 6	1				
016		266326-2	TAPPING SCREW 4X18	2				
017		413C17-6	MOTOR HOUSING	1				
018		911258-5	PAN HEAD SCREW M5X35	4				
019		413C23-1	LIGHT COVER	1				
020		620936-3	LED CIRCUIT	1				
021		266326-2	TAPPING SCREW 4X18	1				
022		620H80-4	CONTROLLER	1				
023		652069-6	FLAT HEAD SCREW M3X6	3				
024		632R96-7	SENSOR UNIT	1				
025		652093-9	PAN HEAD SCREW M2X5	3			DN309	
025-1		652119-7	PAN HEAD SCREW M2X6	3	O	DN309		
026		629A40-1	STATOR	1				
027		413C22-3	BAFFLE PLATE	1				
028		266326-2	TAPPING SCREW 4X18	2				
029		271453-2	LEVER 132	1				
030		257953-6	BOW STOP RING E-12	1				
031		252262-8	COLLERED HEX. NUT M8	1				
032		210022-4	BALL BEARING 626DDW	1				
033		519721-8	ROTOR ASS'Y	1				
	D10		INC. 32,35					
034		251529-1	+ PAN HEAD SCREW M4X14	1				
035		210059-1	BALL BEARING 6000DDW	1				
036		347676-5	SHAFT LOCK	1				
037		233084-5	COMPRESSION SPRING 6	1				
038		286039-9	CAP	1				
039		141G17-7	BLADE CASE COMPLETE	1				
	C10	213434-0	O RING 26	1				
	C20	263005-3	RUBBER PIN 6	1				
	C30	8004T1-0	SCALE LABEL	1				
040		266396-1	FLATHEAD SQUARENECKBOLT M8X24	1				
041		232563-0	TENSION SPRING 4	1				
042		265A60-7	+ PAN HEAD SCREW M5X14	1				
043		162686-9	OPEN LEVER	1				
044		265135-6	+ COUNTERSUNK HEAD SCREW M4X1	1				
045		347577-7	WASHER 6	1				
046		347576-9	OPEN PLATE	1				
047		265A82-7	HEX. SOCKET HEAD SCREW M3X4	1				
048		262185-2	RUBBER SLEEVE8	1				
049		232674-1	LEAF SPRING	2				
050		251572-0	+ COUNTERSUNK HEAD SCREW M6X3	1				
051		136173-4	DUST NOZZLE ASS'Y	1				
	D10		INC. 52					
052		213444-7	O RING 30	1				

A:HS010GZ(N)

Interchange

O : Yes

X : No

&lt; : the new part can be substituted for the current.

&gt; : the current part can be substituted for the new.

S : Interchangeable as a set.

