



SG

SINGAPORE

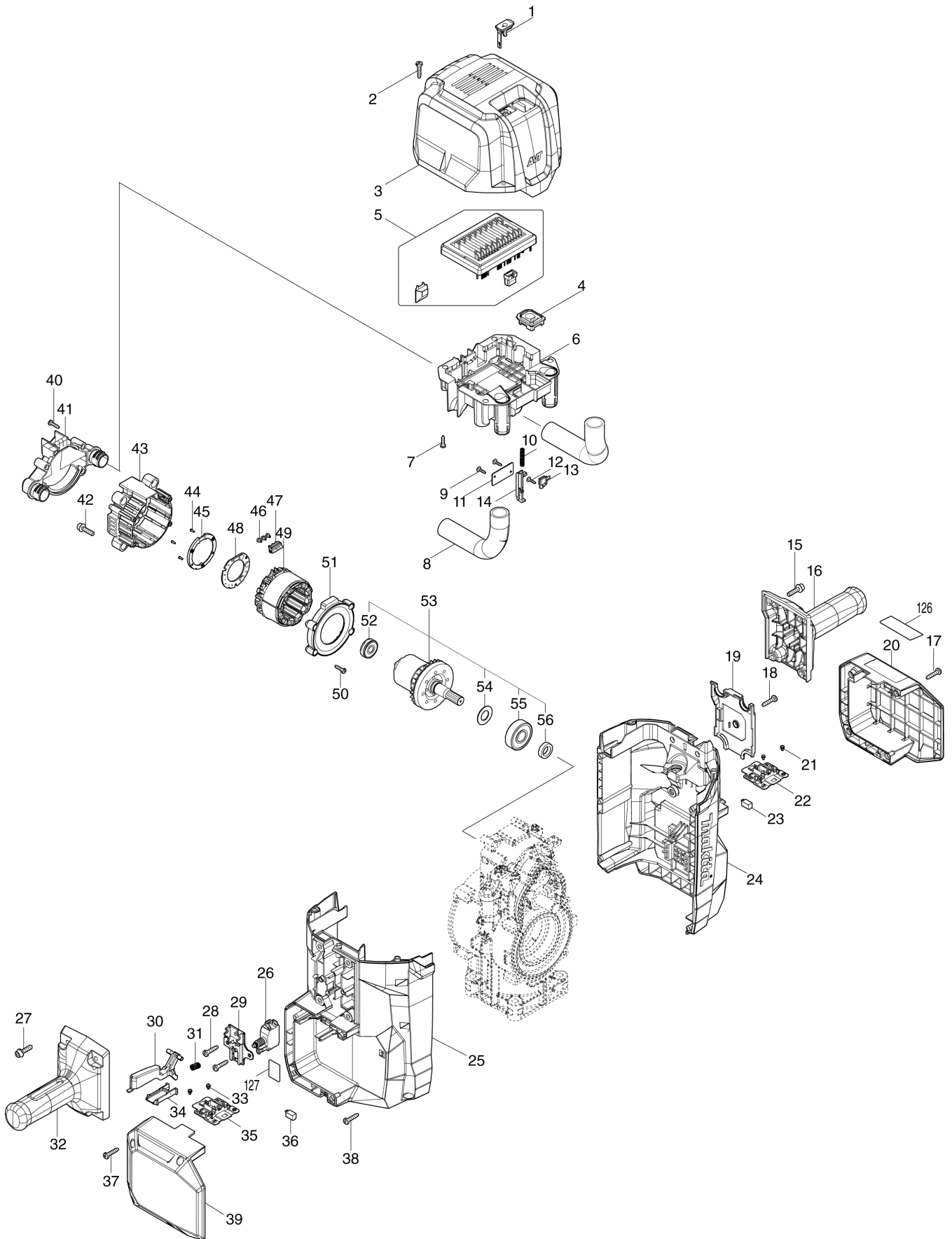
Diagram / Parts List

HM004G

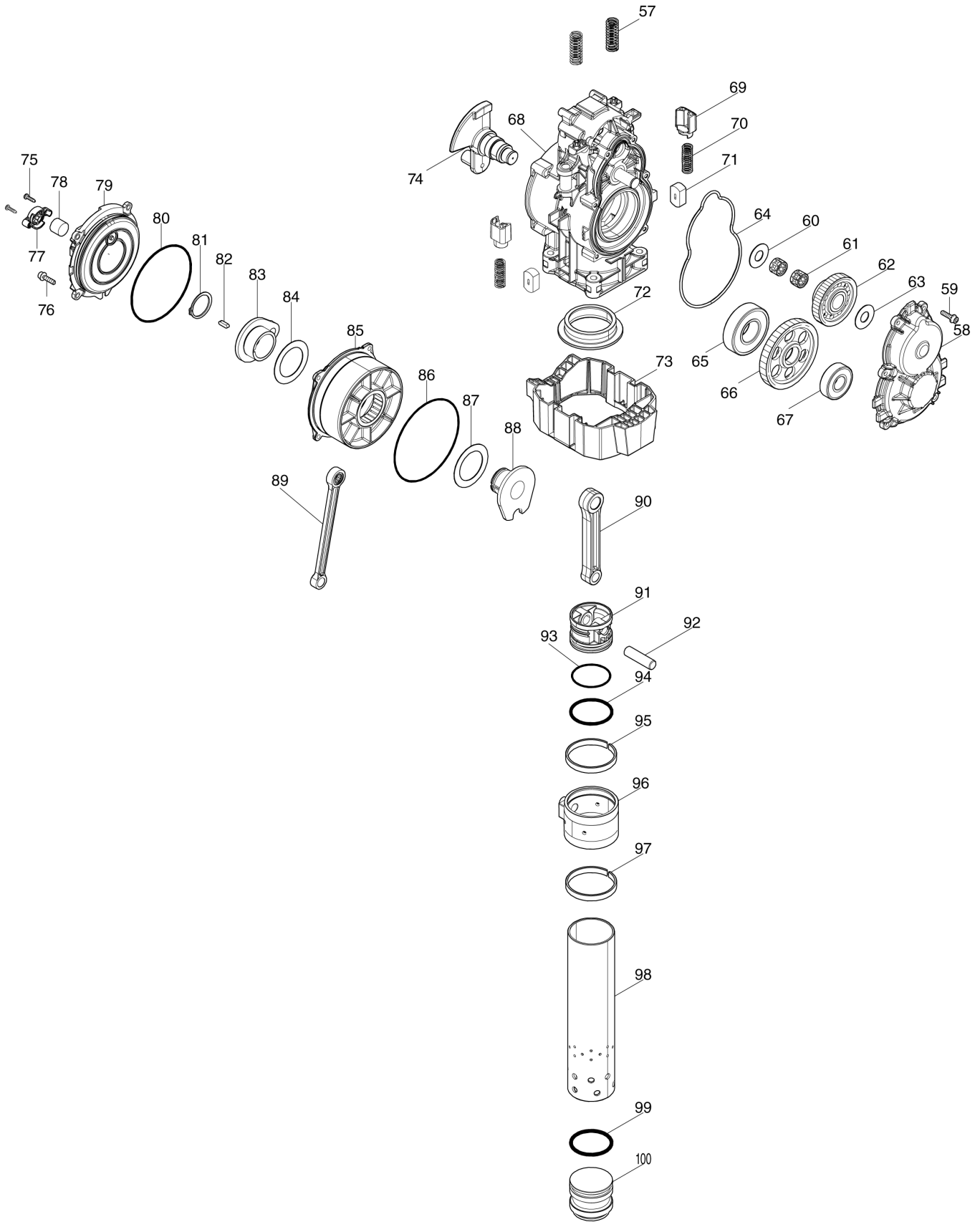
CORDLESS BREAKER



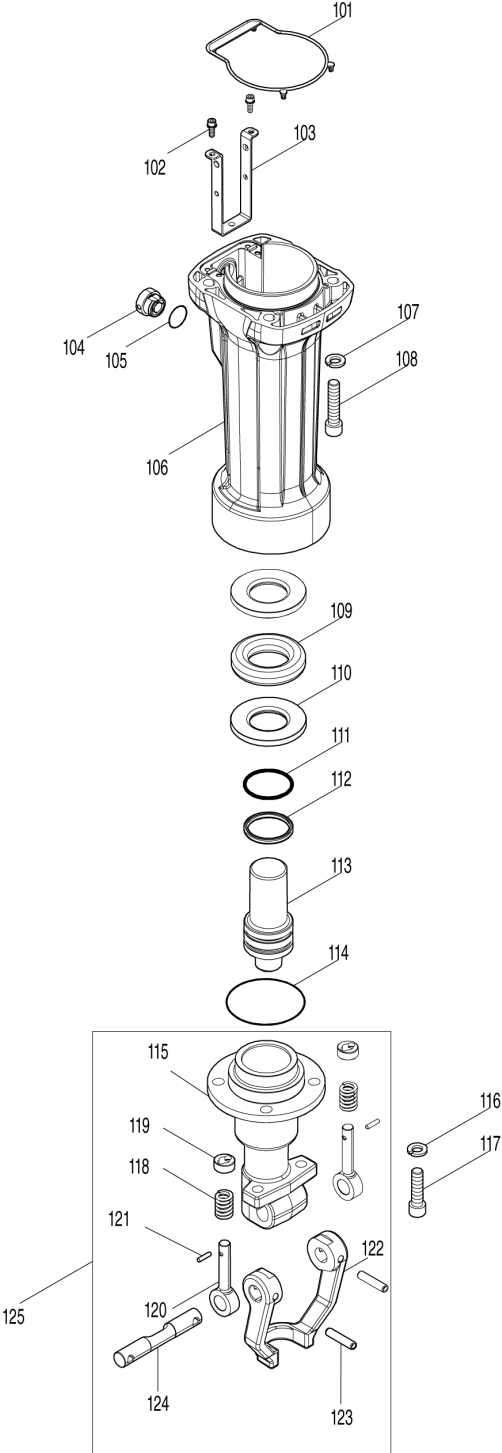
(SG) HM004G / CORDLESS BREAKER



(SG) HM004G / CORDLESS BREAKER



(SG) HM004G / CORDLESS BREAKER



SG

SINGAPORE

HM004G / CORDLESS BREAKER

Item	Sub	Parts No.	Parts Description	Qty	I/C	E/C No.	Close No.	Remark
001		140G30-2	CAP COMPLETE	1				
	C10	213218-6	O RING 16	1				
002		266041-8	TAPPING SCREW 5X25	6				
003		413W53-2	HEAD COVER	1				
004		620M94-3	SWITCH CIRCUIT COMPLETE	1				
005		620M83-8	CONTROLLER	1				
006		413W57-4	CONTROLLER COVER	1				
007		265995-6	TAPPING SCREW 4X18	4				
008		245070-4	HOSE 23	2				
009		263046-9	TAPPING SCREW 3X14	2				
010		232833-7	COMPRESSION SPRING 5	1				
011		347B99-9	PLATE	1				
012		263046-9	TAPPING SCREW 3X14	1				
013		620M85-4	SENSOR CIRCUIT	1				
014		141U69-2	LEVER COMPLETE	1				
015		266923-4	H.S.HEAD BOLT M6X25 WITH GM	4				
016		413W59-0	HANDLE B	1				
017		266041-8	TAPPING SCREW 5X25	4				
018		266041-8	TAPPING SCREW 5X25	1				
019		413W61-3	HANDLE BASE B COVER	1				
020		137097-7	BATTERY COVER B ASSEMBLY	1				
	C10	263005-3	RUBBER PIN 6	2				
021		652031-1	PAN HEAD SCREW M3X6	2				
022		632T07-4	TERMINAL UNIT	1				
023		620H50-3	LED CIRCUIT	1				
024		137098-5	HANDLE BASE B ASSEMBLY	1				
	C10	263005-3	RUBBER PIN 6	2				
025		137094-3	HANDLE BASE A ASSEMBLY	1				
	C10	263005-3	RUBBER PIN 6	2				
026		650738-3	SWITCH C3JW-C-P	1				
027		266923-4	H.S.HEAD BOLT M6X25 WITH GM	4				
028		266041-8	TAPPING SCREW 5X25	2				
029		413W54-0	SWITCH COVER	1				
030		413W60-5	SWITCH LEVER	1				
031		232834-5	COMPRESSION SPRING 7	1				
032		413W58-2	HANDLE A	1				
033		652031-1	PAN HEAD SCREW M3X6	2				
034		455511-4	SWITCH GUIDE	1				
035		632T07-4	TERMINAL UNIT	1				
036		620H50-3	LED CIRCUIT	1				
037		266041-8	TAPPING SCREW 5X25	4				
038		266041-8	TAPPING SCREW 5X25	6				
039		137096-9	BATTERY COVER A ASSEMBLY	1				
	C10	263005-3	RUBBER PIN 6	2				
040		265995-6	TAPPING SCREW 4X18	4				
041		141U70-7	AIR DUCT COMPLETE	1				
042		266923-4	H.S.HEAD BOLT M6X25 WITH GM	4				
043		413W47-7	MOTOR HOUSING	1				
044		266490-9	TAPPING SCREW PT 2X6	3				
045		687B69-9	STOPPER	1				
046		652031-1	PAN HEAD SCREW M3X6	3				
047		638A80-8	LEAD UNIT	1				
048		620M84-6	CONTROLLER B	1				
049		629C64-9	STATOR	1				
050		265995-6	TAPPING SCREW 4X18	4				
051		413W48-5	BAFFLE PLATE	1				
052		210232-3	BALL BEARING 6200DDW	1				
053		510600-3	ROTOR ASSY	1				
	D10		INC. 52,54-56					
054		267487-1	FLAT WASHER 17	1				
055		211152-4	BALL BEARING 6303LLU	1				
056		332129-7	SEALING SCREW	1				
057		232832-9	COMPRESSION SPRING 15	2				
058		312E79-2	GEAR COVER	1				
059		266923-4	H.S.HEAD BOLT M6X25 WITH GM	6				

A:HM004GZ05(N)

Interchange

O : Yes

X : No

< : the new part can be substituted for the current.

> : the current part can be substituted for the new.

S : Interchangeable as a set.

SG

SINGAPORE

HM004G / CORDLESS BREAKER

Item	Sub	Parts No.	Parts Description	Qty	I/C	E/C No.	Close No.	Remark
060		267290-0	FLAT WASHER 18	1				
061		212099-5	NEEDLE CAGE 1816	2				
062		227B17-2	GEAR COMPLETE 21-52	1				
063		267290-0	FLAT WASHER 18	1				
064		422B04-8	SEAL RING	1				
065		211500-7	BALL BEARING 6307LLU	1				
066		227B16-4	HELICAL GEAR 52 A	1				
067		210234-9	BALL BEARING 2216LLB	1				
068		141U68-4	CRANK HOUSING COMPLETE	1				
069		413W49-3	SPRING HOLDER	2				
070		232831-1	COMPRESSION SPRING 12	2				
071		422B05-6	DAMPER	2				
072		332131-0	SPACER	1				
073		413W50-8	CENTER COVER	1				
074		327C96-7	CRANK SHAFT	1				
075		265995-6	TAPPING SCREW 4X18	2				
076		266923-4	H.S.HEAD BOLT M6X25 WITH GM	4				
077		413W46-9	FILTER COVER	1				
078		443127-7	FILTER	1				
079		413W45-1	CRANK CAP	1				
080		213810-8	O-RING 124	1				
081		961156-3	RETAINING RING S-40	1				
082		254220-0	KEY 5	1				
083		142921-1	CRANK COMPLETE	1				
084		267486-3	FLAT WASHER 50	1				
085		142952-0	CRANK BOX COMPLETE	1				
086		213902-3	O RING 135	1				
087		267486-3	FLAT WASHER 50	1				
088		310619-0	COUNTER SHAFT	1				
089		142922-9	CONNECTING ROD COMPLETE	1				
090		455490-6	CONNECTING ROD	1				
091		455509-1	PISTON	1				
092		268328-4	PIN 15 C	1				
093		213662-7	O RING 55	1				
094		213799-0	O-RING 56	1				
095		455492-2	SPACER 72	1				
096-1		123361-2	BALANCER ASSEMBLY	1				
	D10		INC. 95,97					
097		455492-2	SPACER 72	1				
098		332130-2	CYLINDER LINER 66	1				
099		213799-0	O-RING 56	1				
100		326470-8	STRIKER	1				
101		424666-6	SEAL RING A	1				
102		266071-9	HEX. SOCKET HEAD BOLT M5X16	2				
103		346840-5	PLATE	1				
104		450347-6	CAP	1				
105		213953-6	O RING 24	1				
106		312E80-7	BARREL	1				
107		942301-9	SPRING WASHER 12	4				
108		922677-0	HEX. SOCKET BOLT M12X55	4				
109		262174-7	RUBBER RING 47	1				
110		332127-1	WASHER 42	2				
111		213798-2	O-RING 47	1				
112		213797-4	X-RING 47	1				
113		326469-3	IMPACT BOLT	1				
114		213757-6	O RING 80	1				
115		310616-6	TOOL HOLDER 29	1				
116		942301-9	SPRING WASHER 12	4				
117		265989-1	HEX. SOCKET BOLT M12X45	4				
118		233083-7	COMPRESSION SPRING 12	2				
119		322560-5	RETAINER RING	2				
120		322477-2	TOOL RETAINER POLE	2				
121		256219-1	PIN 4	2				
122		324236-0	TOOL RETAINER	1				
123		951272-9	SPRING PIN 8-40	2			DW214	

A:HM004GZ05(N)

Interchange

O : Yes

X : No

< : the new part can be substituted for the current.

> : the current part can be substituted for the new.

S : Interchangeable as a set.

