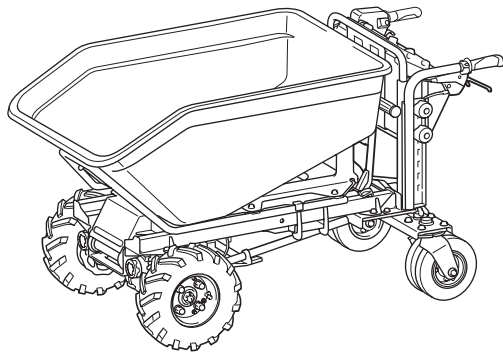




EN	Battery Powered Wheelbarrow	INSTRUCTION MANUAL	15
ZHCN	电池驱动式手推车	使用说明书	31
ID	Gerobak Sorong Tenaga Baterai	PETUNJUK PENGGUNAAN	48
MS	Kereta Sorong Berkuasa Bateri	MANUAL ARAHAN	66
VI	Xe Vận Chuyển Hàng Hóa Hoạt Động Bằng Pin	TÀI LIỆU HƯỚNG DẪN	84
TH	รถเข็นพลังงานแบตเตอรี่	คู่มือการใช้งาน	100

DCU602



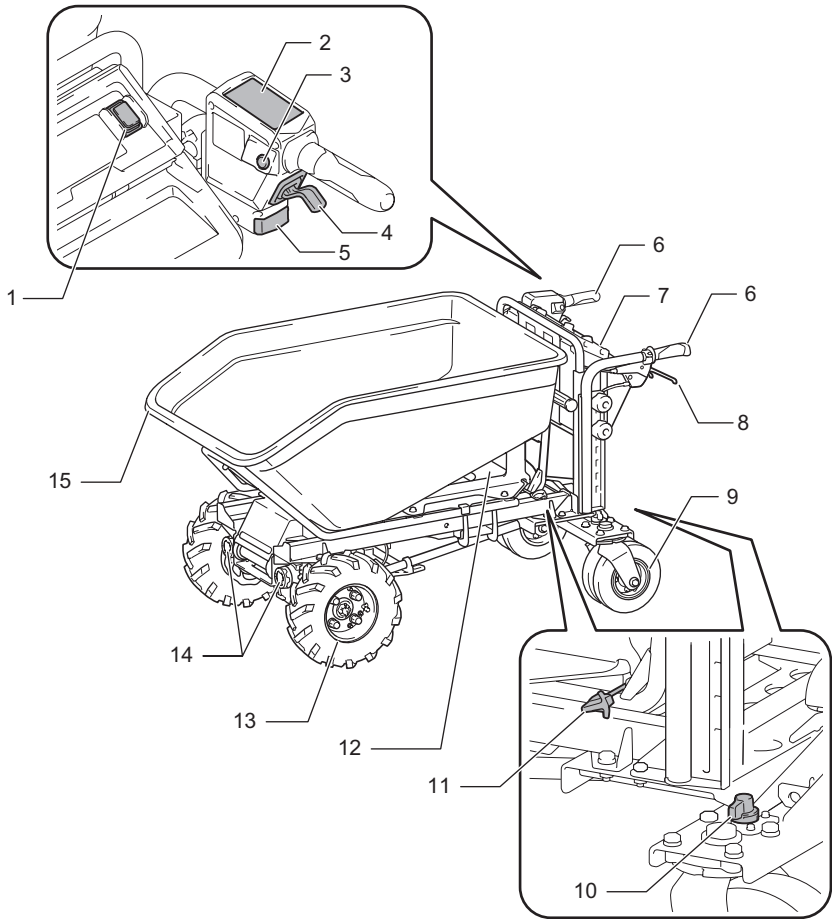


Fig.1

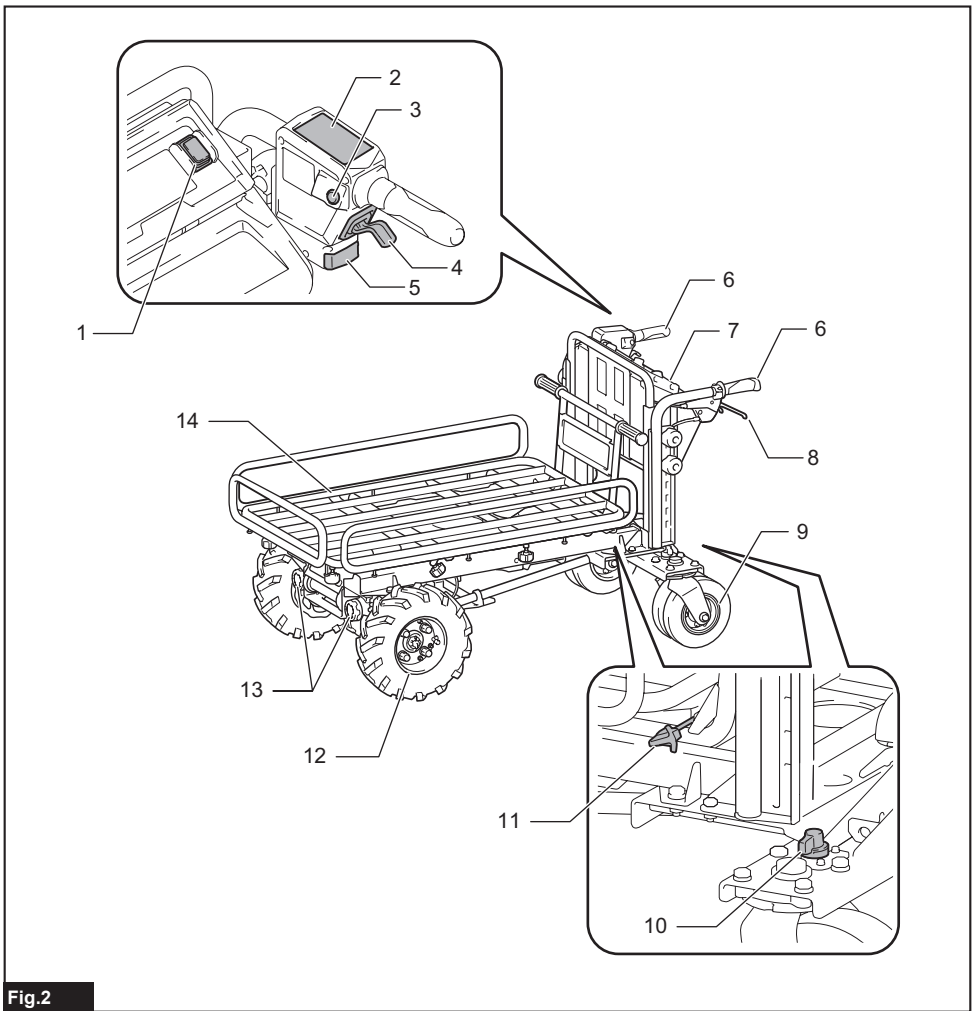


Fig.2

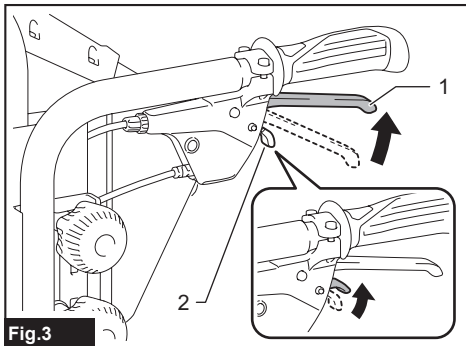


Fig.3

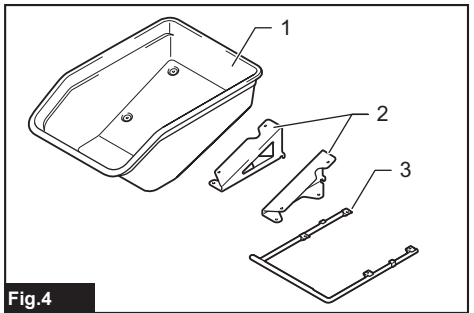


Fig.4

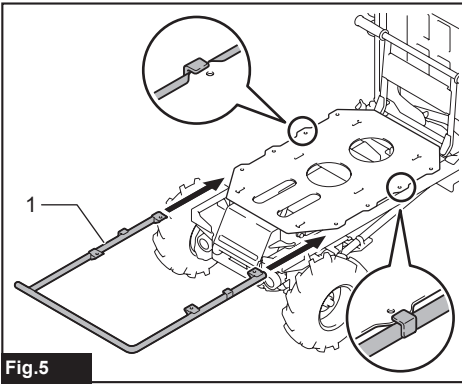


Fig. 5

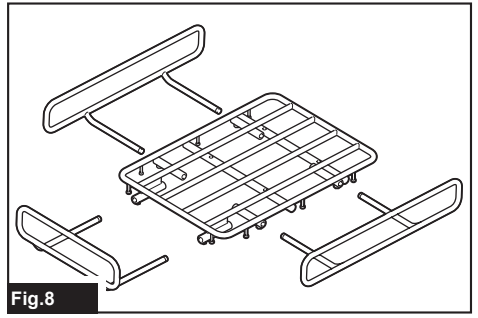


Fig. 8

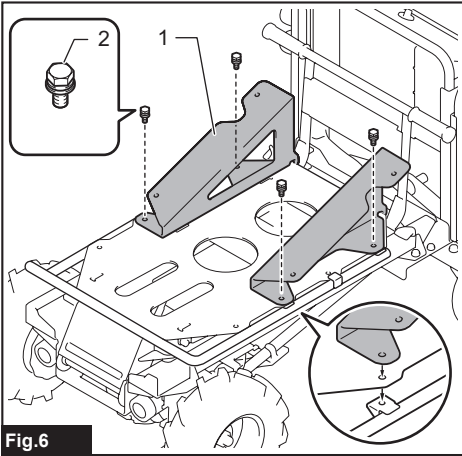


Fig. 6

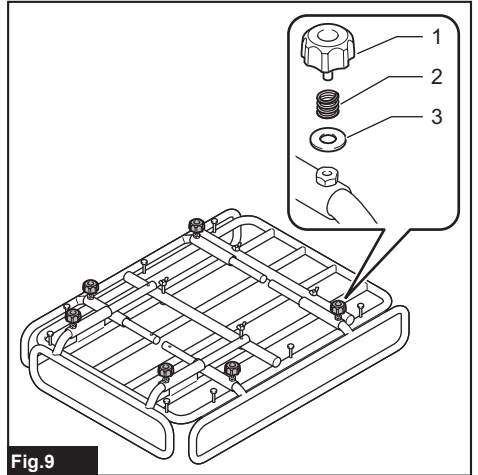


Fig. 9

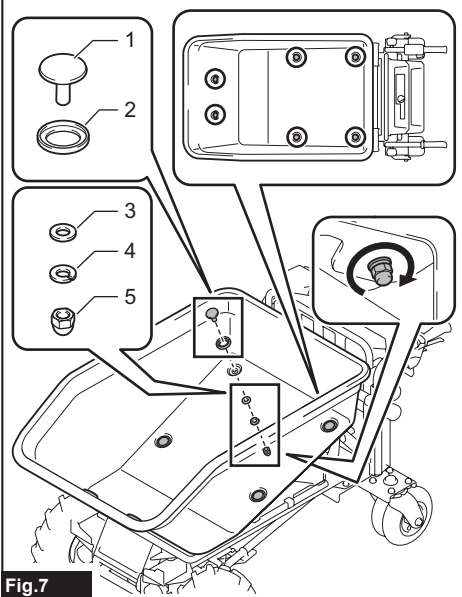


Fig. 7

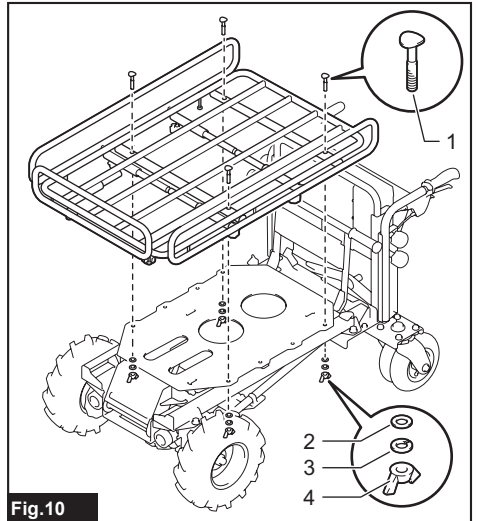


Fig. 10

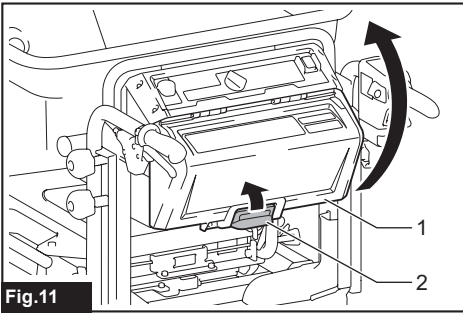


Fig.11

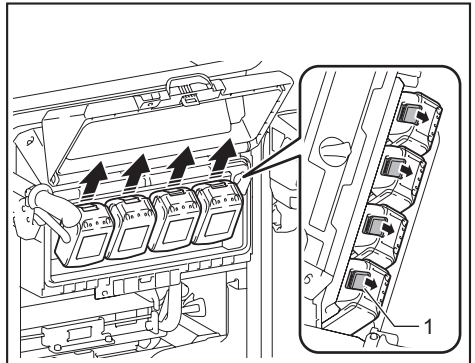


Fig.15

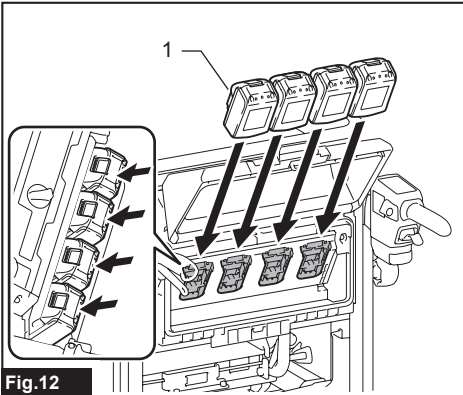


Fig.12

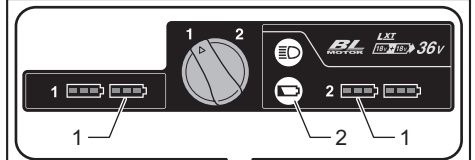


Fig.16

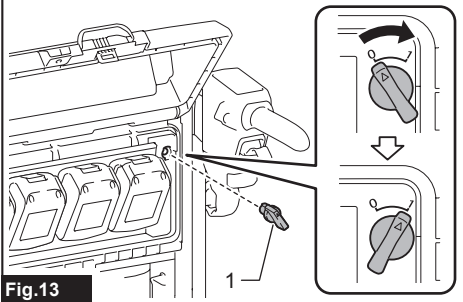


Fig.13

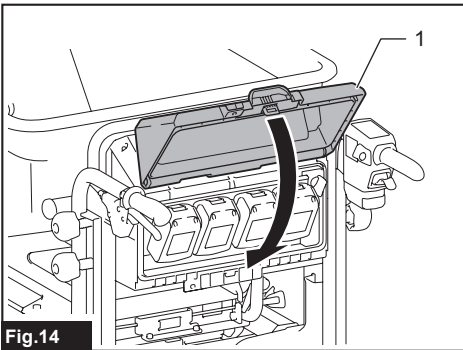
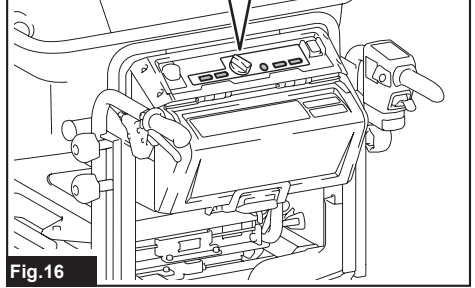


Fig.14

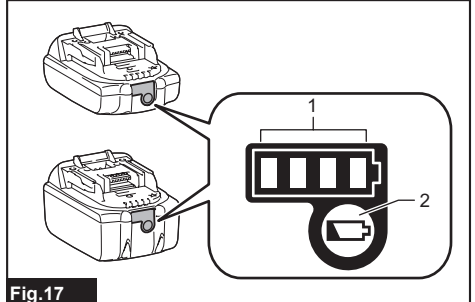
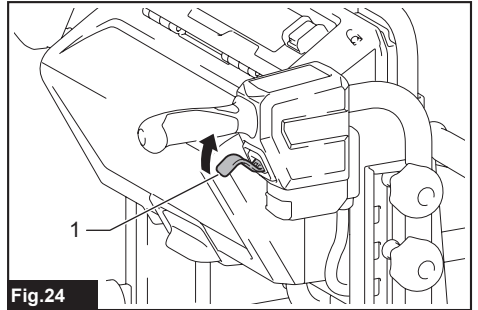
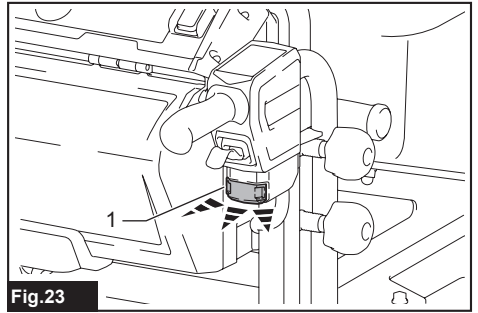
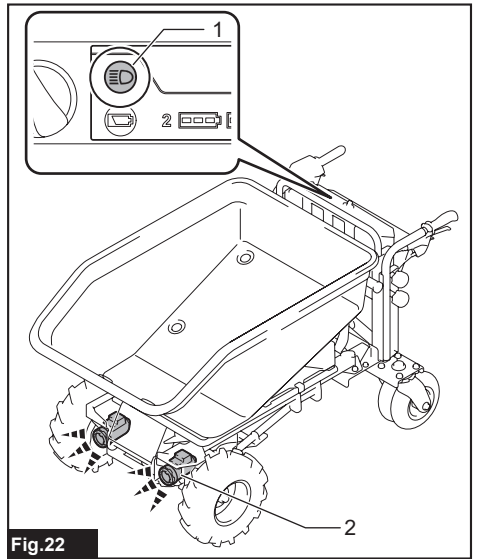
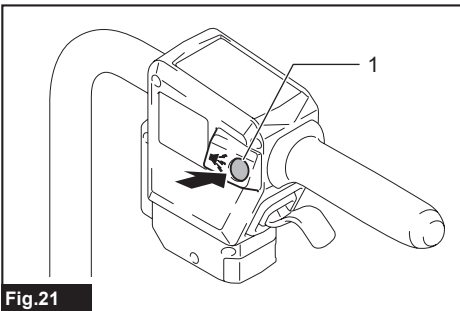
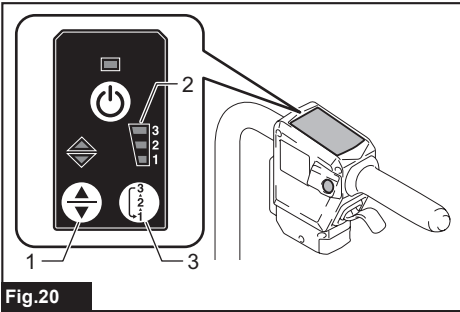
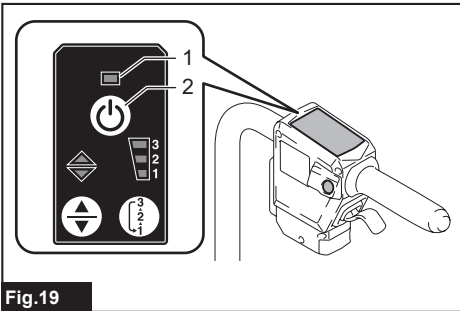
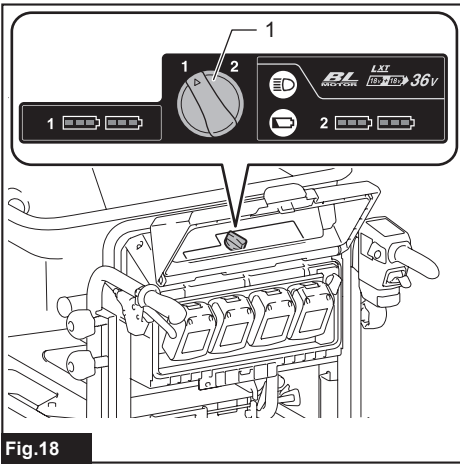


Fig.17



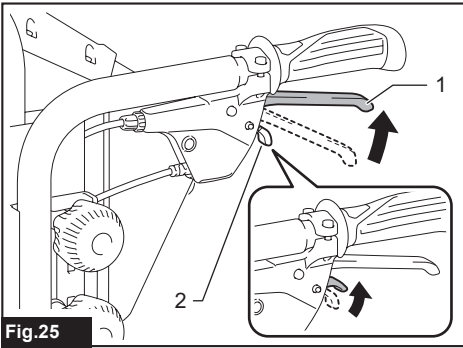


Fig.25

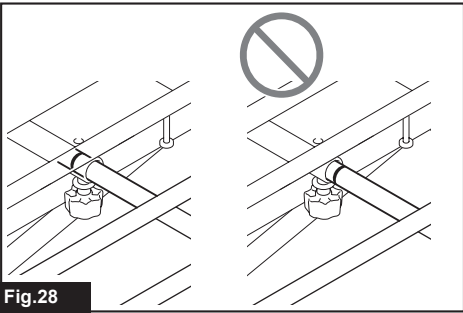


Fig.28

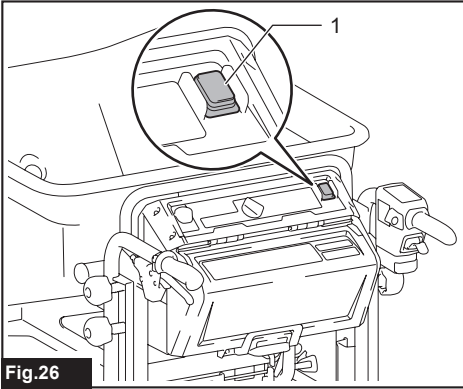


Fig.26

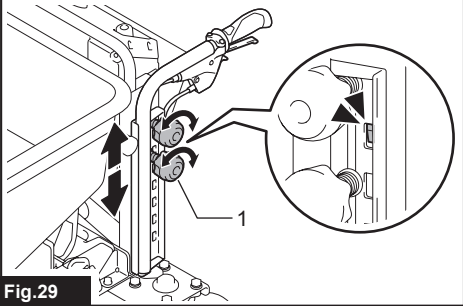


Fig.29

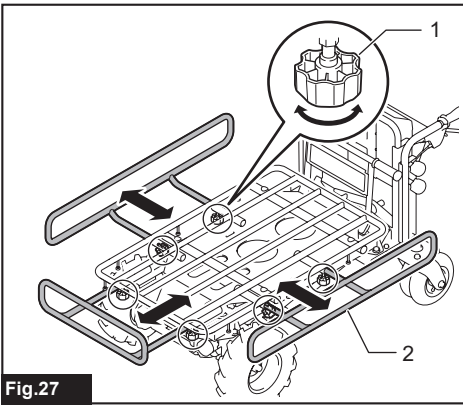


Fig.27

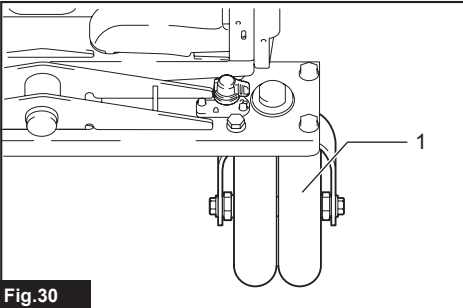


Fig.30

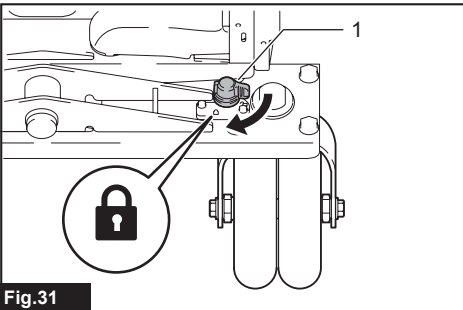


Fig.31

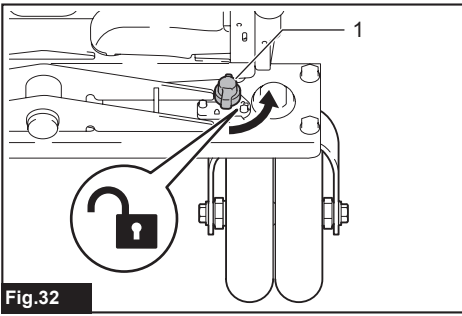


Fig.32

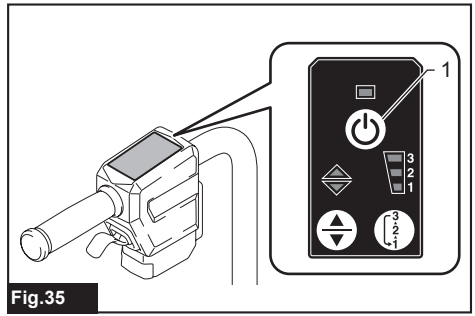


Fig.35

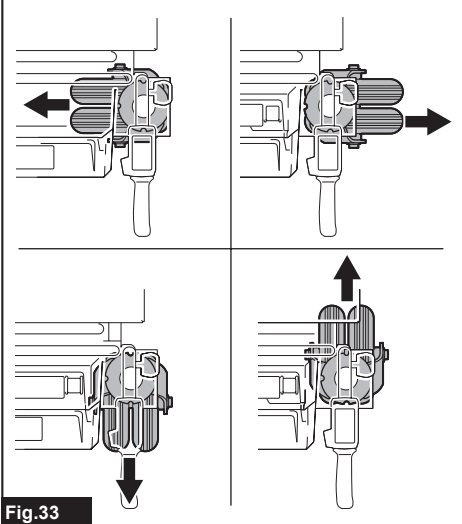


Fig.33

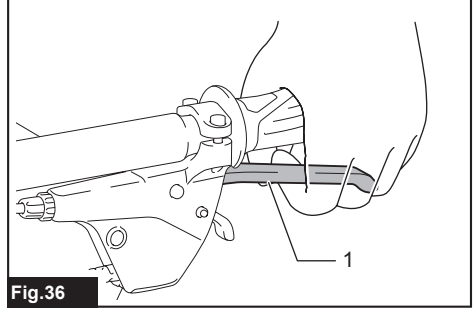


Fig.36

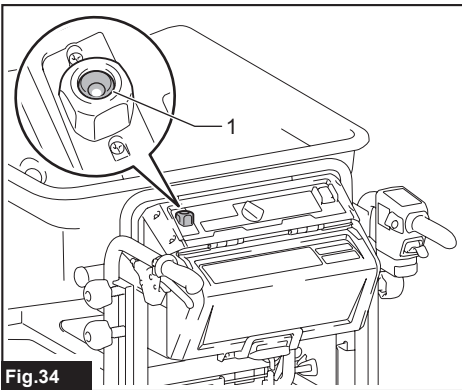


Fig.34

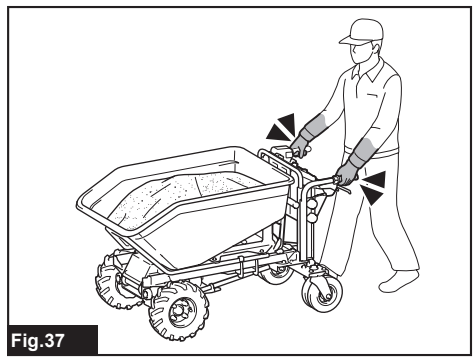


Fig.37

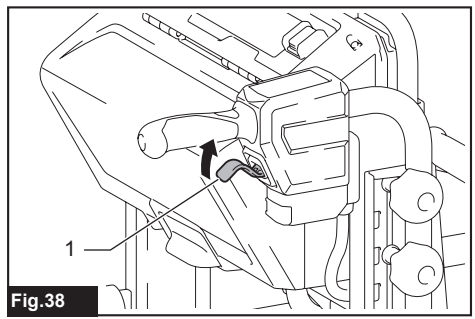


Fig.38

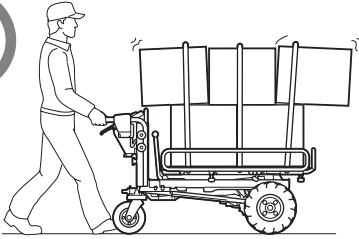


Fig.39

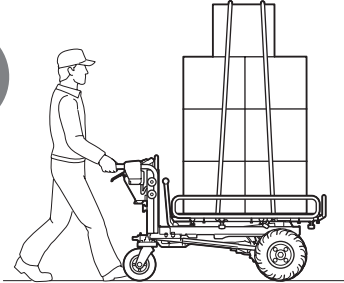


Fig.40

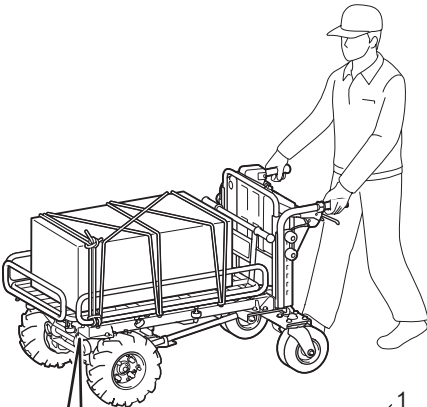


Fig.41

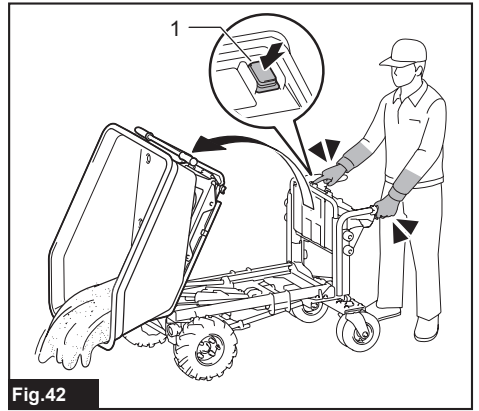
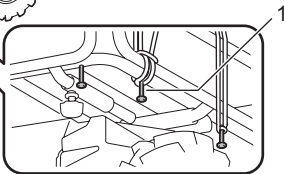


Fig.42

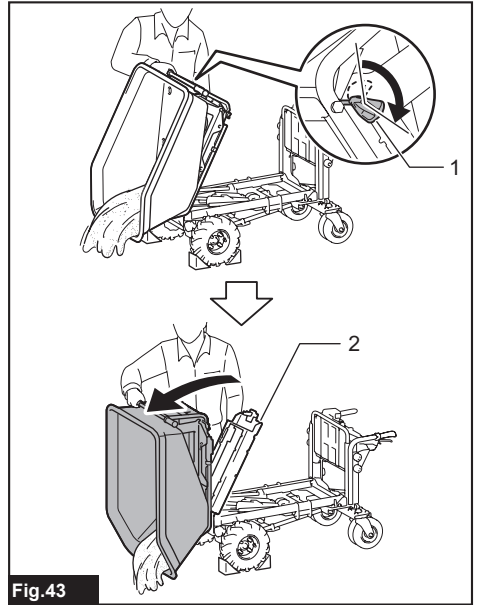


Fig.43

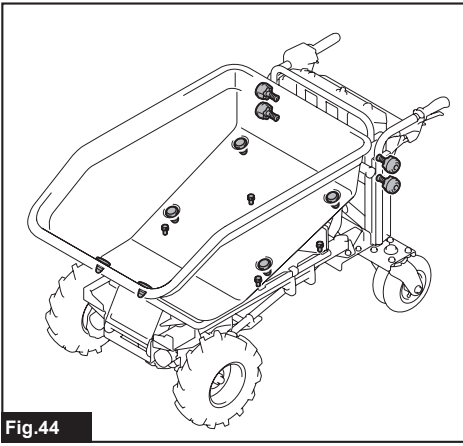


Fig.44

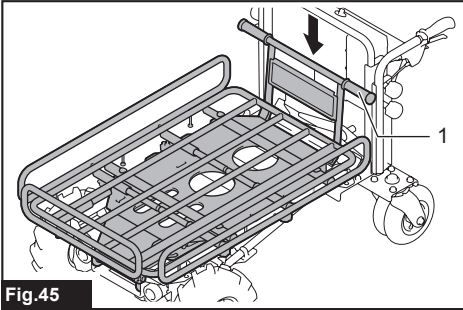


Fig.45

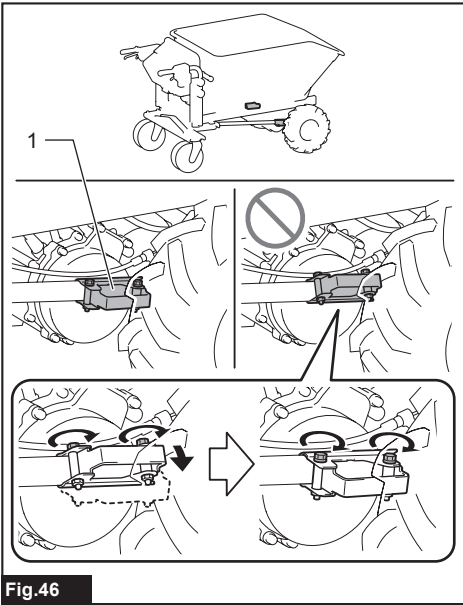


Fig.46

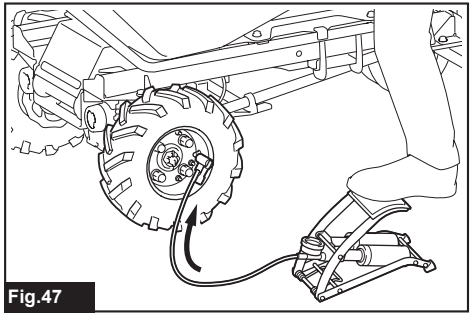


Fig.47

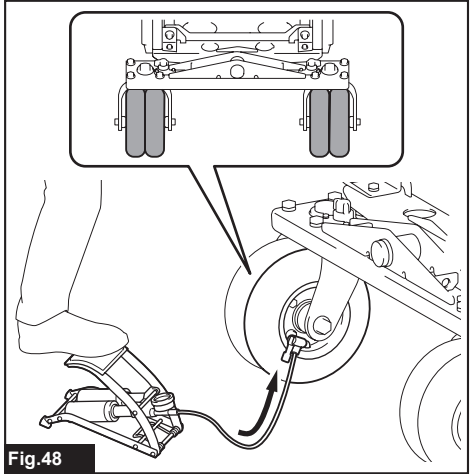


Fig.48

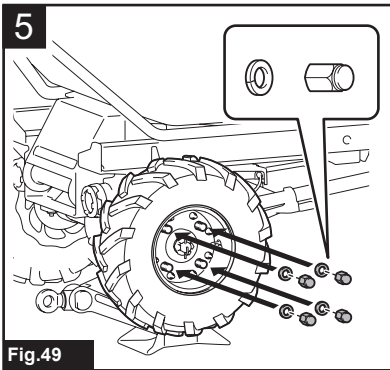
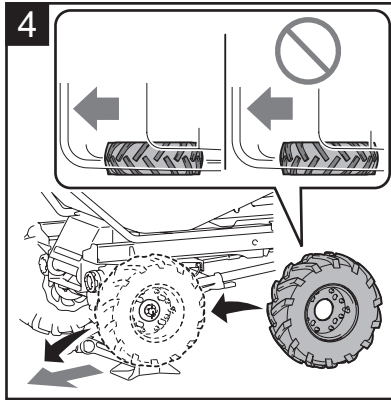
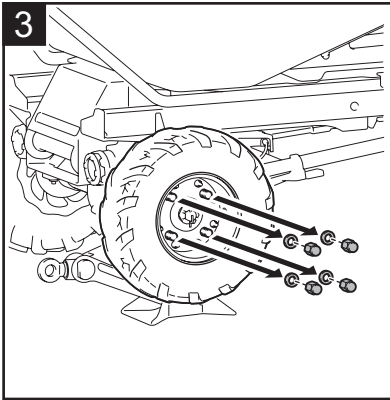
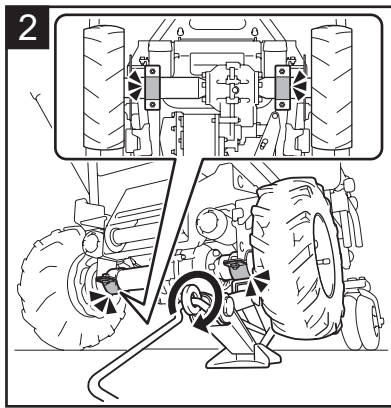
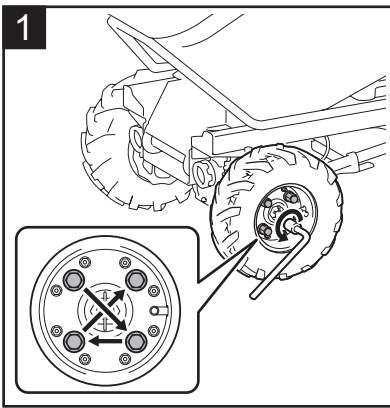
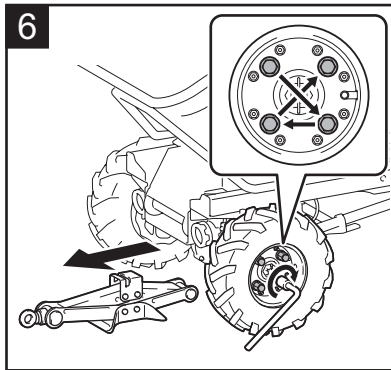


Fig.49



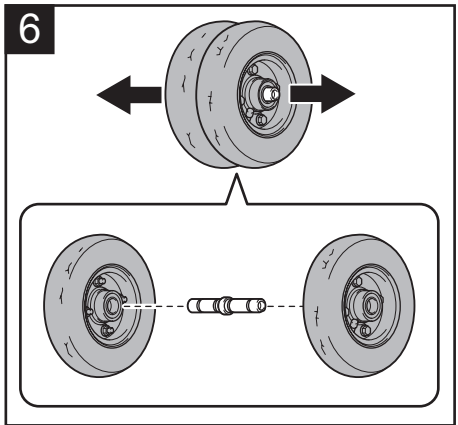
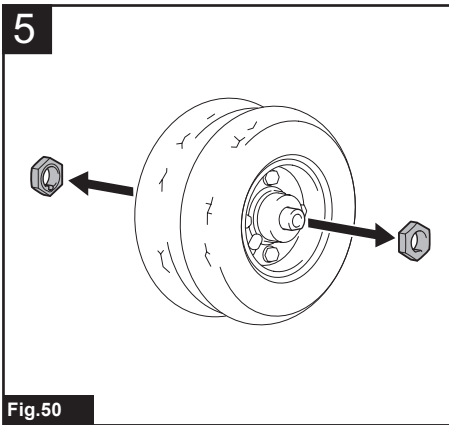
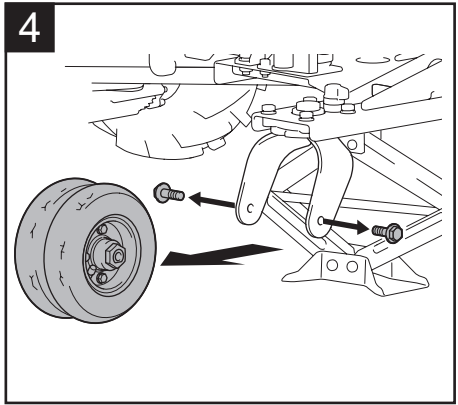
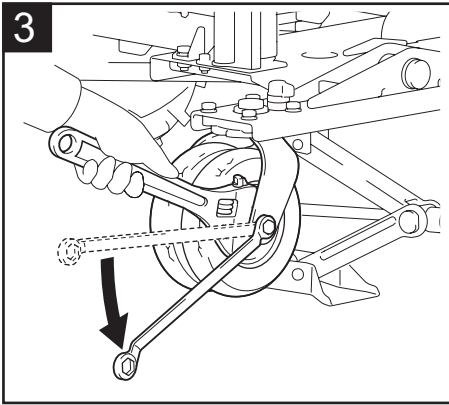
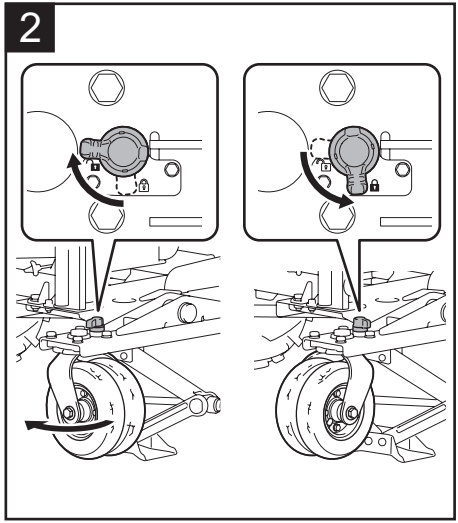
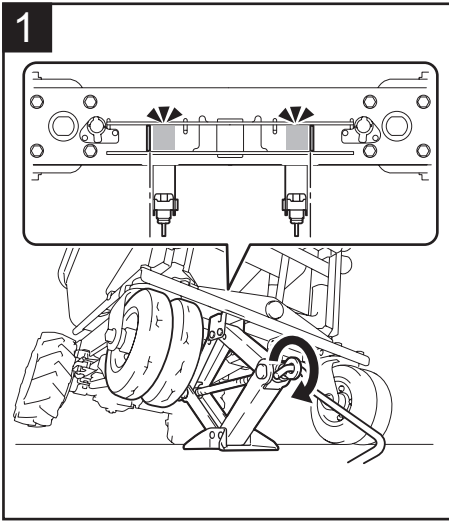
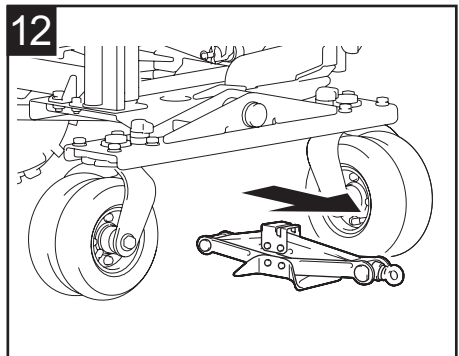
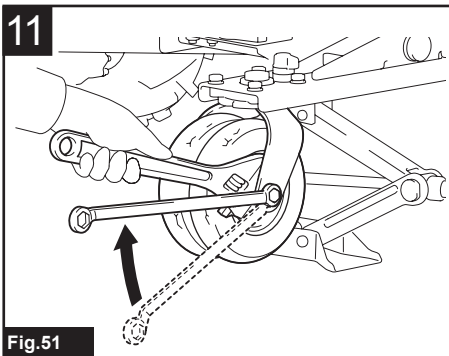
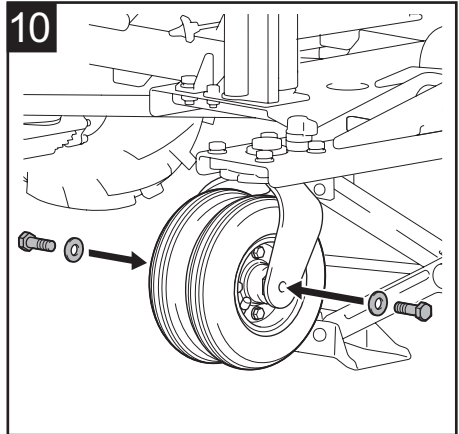
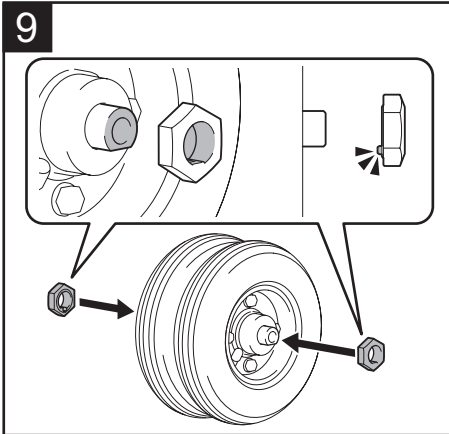
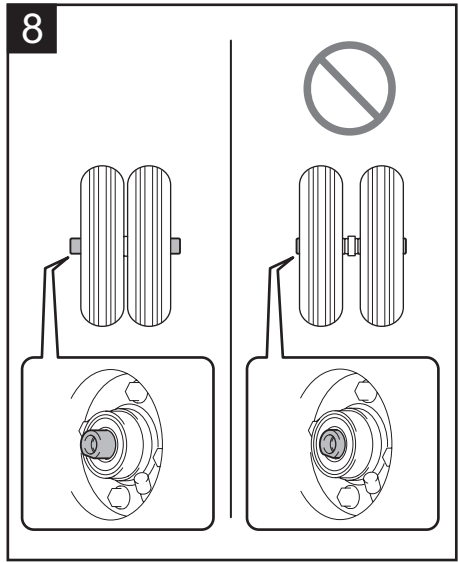
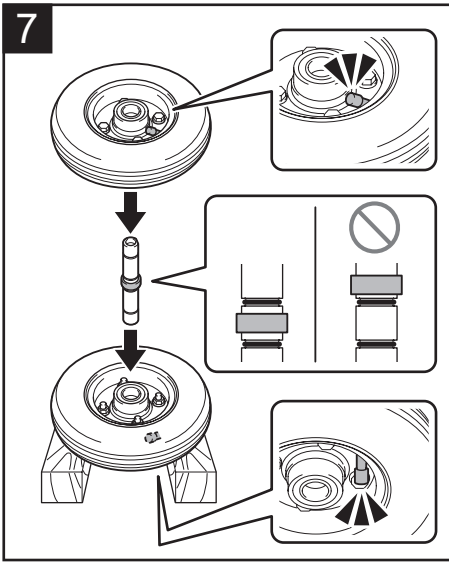
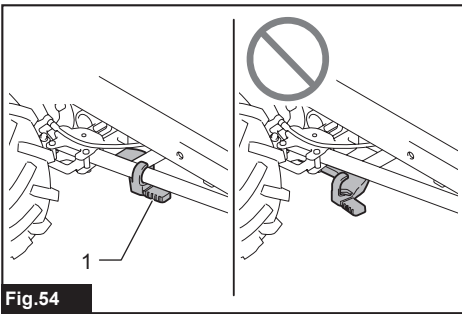
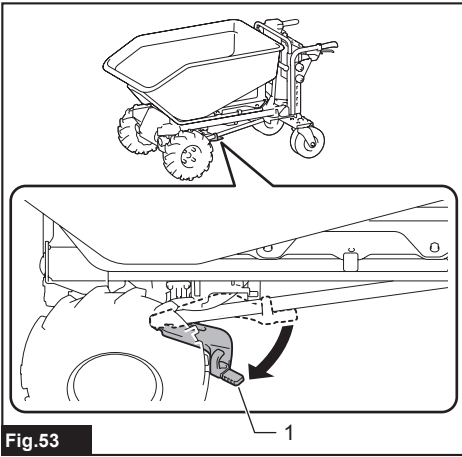
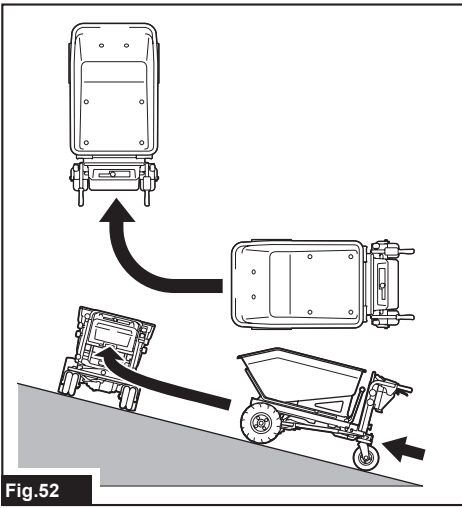


Fig.50





SPECIFICATIONS

Model:		DCU602
Dimensions (L x W x H)	When bucket is installed	1,480 mm x 730 mm x 820 - 1,030 mm
	When carrier is installed	1,450 - 1,600 mm x 730 - 1,080 mm x 820 - 1,030 mm
Traveling speed	Forward	5.0 / 3.5 / 1.5 km/h
	Reverse	1.0 km/h
Maximum load capacity	On flat ground	300 kg
	On slope (3 ° - 12 °)	180 kg
Maximum climbing capacity		12°
Minimum turning radius *		1,150 mm
Brake		Hand brake and support brake
Tire	Front wheel	Pneumatic tire
	Rear wheel	Pneumatic tire
Rated voltage		D.C. 36 V
Net weight	When bucket is installed	145 - 147 kg
	When carrier is installed	141 - 143 kg
Protection degree		IPX4

*: Outer diameter when turning with front wheel as axis.

- Due to our continuing program of research and development, the specifications herein are subject to change without notice.
- Specifications may differ from country to country.
- The weight may differ depending on the attachment(s), including the battery cartridge. The lightest and heaviest combinations, according to EPTA-Procedure 01/2014, are shown in the table.

Applicable battery cartridge and charger

Battery cartridge	BL1815N / BL1820B / BL1830B / BL1840B / BL1850B / BL1860B
Charger	DC18RC / DC18RD / DC18RE / DC18SD / DC18SE / DC18SF / DC18SH / DC18WC




- Some of the battery cartridges and chargers listed above may not be available depending on your region of residence.





⚠WARNING: Only use the battery cartridges and chargers listed above. Use of any other battery cartridges and chargers may cause injury and/or fire.

⚠WARNING: Never use Portable Power Pack PDC1200 or PDC01 with this product. Using them together may cause personal injury or malfunction.

Symbols

The followings show the symbols which may be used for the equipment. Be sure that you understand their meaning before use.

	Read instruction manual.
	Do not change direction on slopes.
	This machine cannot be used on public roads.

	Before loading or unloading objects, lock the brake and dump unit.
	Do not load or unload objects on slopes.
	Do not use the machine for transporting people.
	Do not dump objects on slopes. Lock the dump unit after dumping.



Load objects on the bucket or carrier evenly. Do not load objects unevenly or only on front side.



Pinch and crush hazard. Keep hands clear during operation. Do not put your hands or part of your body into the moving parts.



Maximum load capacity: 300 kg on flat ground and 180 kg on slopes (up to 12°).



Do not directly look into lamps.



Do not wash the machine with high pressure washer.



Keep bystanders away from the machine during operation.



Do not operate the machine around uneven surfaces.



Do not operate the machine when the bucket or carrier is not returned completely.



Remove ropes before dumping objects.



Always wear non-slip and protective footwear.



Lock the brake before pulling out the neutral change lever.



Lock the brake before returning the neutral change lever.



Air pressure: front tire 280 kPa and rear tire 525 kPa.



Make sure that the lock lever is locked.



Turn the lock lever toward the front of machine to unlock the dump unit.



When a beep sound is emitted, lock the brake lever.



When you release the switch trigger, lock the brake lever.



To cancel the beep sound, release the switch trigger and pull the brake lever.



Ni-MH
Li-ion

Only for EU countries
Due to the presence of hazardous components in the equipment, waste electrical and electronic equipment, accumulators and batteries may have a negative impact on the environment and human health.

Do not dispose of electrical and electronic appliances or batteries with household waste!
In accordance with the European Directive on waste electrical and electronic equipment and on accumulators and batteries and waste accumulators and batteries, as well as their adaptation to national law, waste electrical equipment, batteries and accumulators should be stored separately and delivered to a separate collection point for municipal waste, operating in accordance with the regulations on environmental protection.

This is indicated by the symbol of the crossed-out wheeled bin placed on the equipment.



Guaranteed sound power level according to EU Outdoor Noise Directive.



Sound power level according to Australia NSW Noise Control Regulation.

Intended use

The machine is intended for loading and carrying objects with battery powered assistance.

SAFETY WARNINGS

General power tool safety warnings

⚠ WARNING Read all safety warnings, instructions, illustrations and specifications provided with this power tool. Failure to follow all instructions listed below may result in electric shock, fire and/or serious injury.

Save all warnings and instructions for future reference.

The term "power tool" in the warnings refers to your mains-operated (corded) power tool or battery-operated (cordless) power tool.

Work area safety

1. **Keep work area clean and well lit.** Cluttered or dark areas invite accidents.

2. **Do not operate power tools in explosive atmospheres, such as in the presence of flammable liquids, gases or dust.** Power tools create sparks which may ignite the dust or fumes.
3. **Keep children and bystanders away while operating a power tool.** Distractions can cause you to lose control.

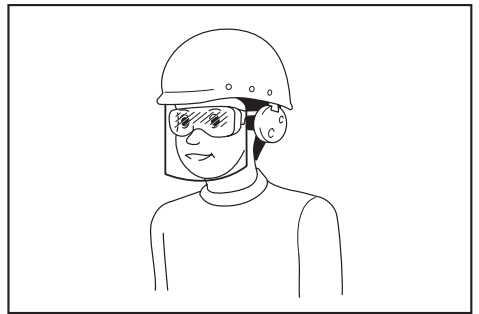
Electrical safety

1. **Power tool plugs must match the outlet. Never modify the plug in any way. Do not use any adapter plugs with earthed (grounded) power tools.** Unmodified plugs and matching outlets will reduce risk of electric shock.
2. **Avoid body contact with earthed or grounded surfaces, such as pipes, radiators, ranges and refrigerators.** There is an increased risk of electric shock if your body is earthed or grounded.
3. **Do not expose power tools to rain or wet conditions.** Water entering a power tool will increase the risk of electric shock.
4. **Do not abuse the cord. Never use the cord for carrying, pulling or unplugging the power tool. Keep cord away from heat, oil, sharp edges or moving parts.** Damaged or entangled cords increase the risk of electric shock.
5. **When operating a power tool outdoors, use an extension cord suitable for outdoor use.** Use of a cord suitable for outdoor use reduces the risk of electric shock.
6. **If operating a power tool in a damp location is unavoidable, use a residual current device (RCD) protected supply.** Use of an RCD reduces the risk of electric shock.
7. **Power tools can produce electromagnetic fields (EMF) that are not harmful to the user.** However, users of pacemakers and other similar medical devices should contact the maker of their device and/or doctor for advice before operating this power tool.

Personal safety

1. **Stay alert, watch what you are doing and use common sense when operating a power tool. Do not use a power tool while you are tired or under the influence of drugs, alcohol or medication.** A moment of inattention while operating power tools may result in serious personal injury.
2. **Use personal protective equipment. Always wear eye protection.** Protective equipment such as a dust mask, non-skid safety shoes, hard hat or hearing protection used for appropriate conditions will reduce personal injuries.
3. **Prevent unintentional starting. Ensure the switch is in the off-position before connecting to power source and/or battery pack, picking up or carrying the tool.** Carrying power tools with your finger on the switch or energising power tools that have the switch on invites accidents.
4. **Remove any adjusting key or wrench before turning the power tool on.** A wrench or a key left attached to a rotating part of the power tool may result in personal injury.
5. **Do not overreach. Keep proper footing and balance at all times.** This enables better control of the power tool in unexpected situations.

6. **Dress properly. Do not wear loose clothing or jewellery. Keep your hair and clothing away from moving parts.** Loose clothes, jewellery or long hair can be caught in moving parts.
7. **If devices are provided for the connection of dust extraction and collection facilities, ensure these are connected and properly used.** Use of dust collection can reduce dust-related hazards.
8. **Do not let familiarity gained from frequent use of tools allow you to become complacent and ignore tool safety principles.** A careless action can cause severe injury within a fraction of a second.
9. **Always wear protective goggles to protect your eyes from injury when using power tools. The goggles must comply with ANSI Z87.1 in the USA, EN 166 in Europe, or AS/NZS 1336 in Australia/New Zealand. In Australia/New Zealand, it is legally required to wear a face shield to protect your face, too.**



It is an employer's responsibility to enforce the use of appropriate safety protective equipments by the tool operators and by other persons in the immediate working area.

Power tool use and care

1. **Do not force the power tool. Use the correct power tool for your application.** The correct power tool will do the job better and safer at the rate for which it was designed.
2. **Do not use the power tool if the switch does not turn it on and off.** Any power tool that cannot be controlled with the switch is dangerous and must be repaired.
3. **Disconnect the plug from the power source and/or remove the battery pack, if detachable, from the power tool before making any adjustments, changing accessories, or storing power tools.** Such preventive safety measures reduce the risk of starting the power tool accidentally.
4. **Store idle power tools out of the reach of children and do not allow persons unfamiliar with the power tool or these instructions to operate the power tool.** Power tools are dangerous in the hands of untrained users.
5. **Maintain power tools and accessories. Check for misalignment or binding of moving parts, breakage of parts and any other condition that may affect the power tool's operation. If damaged, have the power tool repaired before use.** Many accidents are caused by poorly maintained power tools.

Battery powered wheelbarrow safety warnings

6. **Keep cutting tools sharp and clean.** Properly maintained cutting tools with sharp cutting edges are less likely to bind and are easier to control.
7. **Use the power tool, accessories and tool bits etc. in accordance with these instructions, taking into account the working conditions and the work to be performed.** Use of the power tool for operations different from those intended could result in a hazardous situation.
8. **Keep handles and grasping surfaces dry, clean and free from oil and grease.** Slippery handles and grasping surfaces do not allow for safe handling and control of the tool in unexpected situations.
9. **When using the tool, do not wear cloth work gloves which may be entangled.** The entanglement of cloth work gloves in the moving parts may result in personal injury.

Battery tool use and care

1. **Recharge only with the charger specified by the manufacturer.** A charger that is suitable for one type of battery pack may create a risk of fire when used with another battery pack.
2. **Use power tools only with specifically designed battery packs.** Use of any other battery packs may create a risk of injury and fire.
3. **When battery pack is not in use, keep it away from other metal objects, like paper clips, coins, keys, nails, screws or other small metal objects, that can make a connection from one terminal to another.** Shorting the battery terminals together may cause burns or a fire.
4. **Under abusive conditions, liquid may be ejected from the battery; avoid contact. If contact accidentally occurs, flush with water. If liquid contacts eyes, additionally seek medical help.** Liquid ejected from the battery may cause irritation or burns.
5. **Do not use a battery pack or tool that is damaged or modified.** Damaged or modified batteries may exhibit unpredictable behaviour resulting in fire, explosion or risk of injury.
6. **Do not expose a battery pack or tool to fire or excessive temperature.** Exposure to fire or temperature above 130 °C may cause explosion.
7. **Follow all charging instructions and do not charge the battery pack or tool outside the temperature range specified in the instructions.** Charging improperly or at temperatures outside the specified range may damage the battery and increase the risk of fire.

Service

1. **Have your power tool serviced by a qualified repair person using only identical replacement parts.** This will ensure that the safety of the power tool is maintained.
2. **Never service damaged battery packs.** Service of battery packs should only be performed by the manufacturer or authorized service providers.
3. **Follow instruction for lubricating and changing accessories.**

1. **While operating the machine, always wear non-slip and protective footwear.** Non-skid, closed-toed safety boots and shoes will reduce the risk of injury.
2. **Inspect pathway before hauling objects/materials.** Familiarizing yourself with the pathway and ensuring it is wide enough to safely navigate the machine under load will help reduce losing control of the machine.
3. **Use extreme caution on slippery, loose and unstable terrain.** Wet and slippery surfaces, such as wet grassy areas, snow or ice, and loose and unstable terrain, such as sand or gravel surfaces, may cause the machine to lose traction and may adversely affect steering, braking and stability.
4. **Do not operate the machine on excessively steep slopes.** This reduces the risk of loss of control, slipping and falling which may result in personal injury. Slopes greater than the maximum recommended grade and side grades may increase the risk of instability and may adversely affect the ability to stop safely.
5. **When working on slopes, always be sure of your footing, always work across the face of slopes, never up or down, and exercise extreme caution when changing direction.** This reduces the risk of loss of control, slipping and falling which may result in personal injury.
6. **Whenever possible, use level areas for stopping, loading and unloading and never leave machine unattended on a slope.** The machine is more unstable when resting on a slope than when resting on a level surface.
7. **When leaving the machine unattended, set parking brake once the machine is located in a safe stopping area.** The parking brake prevents unwanted movement of the front wheel and can improve stability.
8. **Ensure that ramps are clean, strong and secure.** In order to reduce the risk of injury, all ramps must be clear of loose debris and strong enough to withstand the weight of anticipated loads that will be moved over them. They must have adequate blocking underneath and to both sides to eliminate deflections and side-to-side movement under load. All ramps must be wide enough to have sure footing while hauling loads across them.
9. **Ensure all locking screws are tightly secure before using.** Locking screws on the rear wheels and open-type carrier front and side walls must be secure to prevent unwanted movement of these adjustable parts of the machine.
10. **Never operate the machine in an overloaded condition.** Make sure the machine has the proper capacity rating for the objects or materials that have to be hauled. Excessive loads will make the machine more difficult to maneuver and stop, will increase stopping time and distance, and will increase the risk of instability.

11. **Never operate your machine in an over stacked condition.** Stacking material above the tray rim or over the sides of the tray can cause the machine to be uncontrollably out of balance and control.
12. **Use containers and tie-downs to secure loads.** Loose and/or insecure loads are more likely to shift which can result in loss of stability and control.
13. **Always maintain a firm grip on handles.** Loss of control can increase the risk of personal injury.
14. **Remove safety key when not in use.** The safety key prevents unwanted, powered use of the machine, such as by children or other untrained or unauthorized persons. Without the key, electric power cannot be turned "on".
15. **This machine cannot be used on public roads.** Use of the wheelbarrow on a public road is unlawful and could result in local jurisdiction penalties in addition it could result in personal injury.
16. **Use a sturdy plate with anti-slip and detachment prevention function when loading and/or unloading this machine for transportation, or moving this machine between different levels. Make sure the plate inclination does not exceed 12°, and operate the machine slowly and carefully. Unstable and quick operation may result in overturn and/or falling.**
17. **Do not disassemble, repair, or modify this machine.**
10. **Before operating the machine, make sure that the handle of the dump unit is fully pulled down and completely locked.** If the lock is incomplete, there is a risk of accident or injury as the carrier or bucket may be tilted and the objects fall when going downhill.
11. **When operating the machine near walls, be careful not to get your hands caught between the handle and the wall.**
12. **Do not use the machine in bad weather conditions, especially when there is a risk of lightning.** This decreases the risk of being struck by lightning.
13. **Do not touch the metal parts during use or after use as they may get hot enough to cause burns due to sunlight.**
14. **Be careful not to entangle the cords with the load or obstacles.**
15. **When crossing a wooden bridge, etc., make sure that the sum of the weight of product, load capacity, and operator's weight does not exceed the weight limit of the bridge, and cross the bridge carefully at a constant speed.**
16. **Wear the gloves when operating the machine in low temperature environments.** Touching the metal parts with bare hands may cause your hands to stick.
17. **If there are people or obstacles in the direction of travel, avoid them in advance.**
18. **Do not scoop objects directly with the carrier or bucket.** Doing so may damage the machine and cause an accident.
19. **When you use the machine on muddy ground, wet slope, or slippery place, pay attention to your footing.**
20. **Do not submerge the machine into a puddle.**
21. **When you leave the machine while working, be sure to completely return the dump unit to its original position, and lock the brake lever and remove the lock key.**
22. **Do not leave the machine unattended while objects are loaded on the carrier or bucket.**

Preparation

1. **Before operating the machine, make sure that there are no people around the machine.**
2. **Before operating the machine, perform the inspections referring to the section for maintenance.**

Operation

1. **When operating the machine, stand behind the machine and hold the handles with both hands firmly.**
2. **Do not operate the machine while riding on the machine.**
3. **Do not allow others to ride on the machine.**
4. **When operating the machine in reverse and walking backward, watch behind you and watch your step, and be careful not to slip or trip.**
5. **Do not use the machine when visibility is poor because there is a risk of striking obstacles.**
6. **When operating the machine on rough ground or going over the level difference of the road, decrease speed and exercise caution.**
7. **When using the machine, avoid soft ground to prevent overturn due to the shoulder of the road collapsing.**
8. **Do not operate the machine on slopes greater than 12°.**
9. **If you find an abnormality, stop the machine on flat ground. Before inspecting the machine, lock the brake lever, and then turn the power off.**

Operation on slopes

1. **Do not cross on slopes.**
2. **Stop before the downhill, and be sure to decrease speed and exercise caution.**
3. **If the speed is too fast when traveling downhill, the beep sound is emitted. In this case, slow down using the brake.**
4. **Exercise caution when starting or stopping the machine on slopes.**
5. **As the loads become less stable on slopes, firmly secure the loads with ropes.**
6. **As the machine becomes unstable depending on the condition of the road, keep the load to a minimum.**
7. **As the view is obscured on slopes, keep the height of the load to a minimum.**
8. **Never stop the machine on slopes. Stop the machine on flat ground, and lock the brake lever, and then turn the power off.**
9. **Do not change the direction or speed mode on steep slopes.**

10. **Do not release the switch trigger on upward slopes.** The machine may go in reverse and cause an accident.
11. **Make sure that the remaining battery capacity is enough before operating on slopes.** If the remaining battery capacity is not enough, charge the battery or replace it with a charged one.
12. **When starting the machine on slopes, do not place your foot behind the rear wheel since the machine moves back a few centimeters.**
3. **Before loading or unloading the machine, make sure that there are no people around the machine and the ladder rails.** Load or unload the machine at low speed, taking care to prevent the machine from falling off the ladder rails, and not to hit your head on the ceiling of the truck. Use extreme caution when loading or unloading the machine backward.
4. **When transporting the machine, lock the brake lever, turn the power off, remove the batteries and lock key, and fix the machine securely.**

Loading objects

1. **Do not overload objects.** When loading objects, be sure to follow the instructions and load limits in the manual.
2. **Since the larger the load, the more difficult it is to operate the machine, keep the load within the range that does not affect the operation.**
3. **Firmly secure the objects with ropes.**
4. **Load the objects within the carrier or bucket.** If the objects protrude from the carrier or bucket, there is a risk of accidents due to the objects falling or contact obstacles such as walls.
5. **Be sure that loaded objects are below eye level.** If the load is too high, it is dangerous because the view is obscured. Also, there is a risk of overturning and injury because the load is likely to be unbalanced.
6. **Load the objects on the carrier or bucket evenly.** If the objects are loaded unevenly, there is a risk of overturning and injury because the load is likely to be unbalanced.
7. **Before loading the objects or operating the machine, make sure that the handle of the dump unit is fully pulled down and completely locked.**
8. **Be sure to load heavy objects first to keep balance.**
9. **Do not extend the front and side rails on steep slopes.** Extend the side rails when lightweight objects are loaded.
10. **When extending the front and side rails, do not extend them over the extension limit.** Be sure to extend the side rails so that the right and left sides are the same length, and load objects evenly.
11. **Load and unload objects on flat ground.** Never load or unload objects on slope.
12. **When lifting and tilting the carrier or bucket, hold the handles and frame firmly, and work in a stable posture.**

Transportation of machine

1. **Use the ladder rails that are at least 4 times as long as the height of the truck bed, with fixtures suitable for the bed, with a non-slip surface and sufficient width, and capable of withstanding the weight of the machine and operator.** Read the instruction manual of the ladder rails carefully before use.
2. **Before loading the machine, unload all objects from the machine and remove mud and other debris from the tires.** Install the ladder rails on a flat and stable surface.

Maintenance and storage

1. **Before storage or attempting to perform inspections or maintenance, always be sure to stop the machine on flat ground and lock the brake lever, and turn off the machine, and remove the lock key and battery cartridges.**
2. **Do not leave the machine unattended outdoors in the rain.**
3. **When storing the machine, avoid direct sunlight and rain, and store it in a place where it does not get hot or humid.**
4. **This machine is equipped with a hydraulic unit on the underside of the dump unit to automatically tilt the dump unit. Do not modify the hydraulic unit, or do not loosen the mounting bolts of the unit or the adjustment screws of the relief valve.** It is very dangerous as it may cause accidents or malfunctions.

Battery tool use and care

1. **Recharge only with the charger specified by the manufacturer.** A charger that is suitable for one type of battery pack may create a risk of fire when used with another battery pack.
2. **Use power tools only with specifically designed battery packs.** Use of any other battery packs may create a risk of injury and fire.
3. **When battery pack is not in use, keep it away from other metal objects, like paper clips, coins, keys, nails, screws or other small metal objects, that can make a connection from one terminal to another.** Shorting the battery terminals together may cause burns or a fire.
4. **Under abusive conditions, liquid may be ejected from the battery; avoid contact. If contact accidentally occurs, flush with water. If liquid contacts eyes, additionally seek medical help.** Liquid ejected from the battery may cause irritation or burns.
5. **Do not use a battery pack or tool that is damaged or modified.** Damaged or modified batteries may exhibit unpredictable behaviour resulting in fire, explosion or risk of injury.
6. **Do not expose a battery pack or tool to fire or excessive temperature.** Exposure to fire or temperature above 130 °C may cause explosion.
7. **Follow all charging instructions and do not charge the battery pack or tool outside the temperature range specified in the instructions.** Charging improperly or at temperatures outside the specified range may damage the battery and increase the risk of fire.

Electrical and battery safety

1. **Do not dispose of the battery(ies) in a fire.**
The cell may explode. Check with local codes for possible special disposal instructions.
2. **Do not open or mutilate the battery(ies).**
Released electrolyte is corrosive and may cause damage to the eyes or skin. It may be toxic if swallowed.
3. **Do not charge battery in rain, or in wet locations.**
4. **Do not charge the battery outdoors.**
5. **Do not handle charger, including charger plug, and charger terminals with wet hands.**
6. **Do not replace the battery in the rain.**
7. **Do not wet the terminal of battery with liquid such as water, or submerge the battery. Do not leave the battery in the rain, nor charge, use, or store the battery in a damp or wet place.** If the terminal gets wet or liquid enters inside of battery, the battery may be short circuited and there is a risk of overheat, fire, or explosion.
8. **After removing the battery from the machine or charger, be sure to attach the battery cover to the battery and store it in a dry place.**
9. **Do not replace the battery with wet hands.**
10. **Avoid dangerous environment. Don't use the machine in damp or wet locations or expose it to rain.** Water entering the machine will increase the risk of electric shock.
11. **If the battery cartridge gets wet, drain the water inside and then wipe it with a dry cloth. Dry the battery cartridge completely in a dry place before use.**

SAVE THESE INSTRUCTIONS.

⚠WARNING: DO NOT let comfort or familiarity with product (gained from repeated use) replace strict adherence to safety rules for the subject product. MISUSE or failure to follow the safety rules stated in this instruction manual may cause serious personal injury.

Important safety instructions for battery cartridge

1. **Before using battery cartridge, read all instructions and cautionary markings on (1) battery charger, (2) battery, and (3) product using battery.**
2. **Do not disassemble or tamper with the battery cartridge.** It may result in a fire, excessive heat, or explosion.
3. **If operating time has become excessively shorter, stop operating immediately.** It may result in a risk of overheating, possible burns and even an explosion.
4. **If electrolyte gets into your eyes, rinse them out with clear water and seek medical attention right away.** It may result in loss of your eyesight.

5. **Do not short the battery cartridge:**
 - (1) **Do not touch the terminals with any conductive material.**
 - (2) **Avoid storing battery cartridge in a container with other metal objects such as nails, coins, etc.**
 - (3) **Do not expose battery cartridge to water or rain.**
A battery short can cause a large current flow, overheating, possible burns and even a breakdown.
6. **Do not store and use the tool and battery cartridge in locations where the temperature may reach or exceed 50 °C (122 °F).**
7. **Do not incinerate the battery cartridge even if it is severely damaged or is completely worn out.** The battery cartridge can explode in a fire.
8. **Do not nail, cut, crush, throw, drop the battery cartridge, or hit against a hard object to the battery cartridge.** Such conduct may result in a fire, excessive heat, or explosion.
9. **Do not use a damaged battery.**
10. **The contained lithium-ion batteries are subject to the Dangerous Goods Legislation requirements.**
For commercial transports e.g. by third parties, forwarding agents, special requirement on packaging and labeling must be observed.
For preparation of the item being shipped, consulting an expert for hazardous material is required. Please also observe possibly more detailed national regulations.
Tape or mask off open contacts and pack up the battery in such a manner that it cannot move around in the packaging.
11. **When disposing the battery cartridge, remove it from the tool and dispose of it in a safe place.** Follow your local regulations relating to disposal of battery.
12. **Use the batteries only with the products specified by Makita.** Installing the batteries to non-compliant products may result in a fire, excessive heat, explosion, or leak of electrolyte.
13. **If the tool is not used for a long period of time, the battery must be removed from the tool.**
14. **During and after use, the battery cartridge may take on heat which can cause burns or low temperature burns.** Pay attention to the handling of hot battery cartridges.
15. **Do not touch the terminal of the tool immediately after use as it may get hot enough to cause burns.**
16. **Do not allow chips, dust, or soil stuck into the terminals, holes, and grooves of the battery cartridge.** It may cause heating, catching fire, burst and malfunction of the tool or battery cartridge, resulting in burns or personal injury.
17. **Unless the tool supports the use near high-voltage electrical power lines, do not use the battery cartridge near high-voltage electrical power lines.** It may result in a malfunction or breakdown of the tool or battery cartridge.
18. **Keep the battery away from children.**

SAVE THESE INSTRUCTIONS.

⚠ CAUTION: Only use genuine Makita batteries. Use of non-genuine Makita batteries, or batteries that have been altered, may result in the battery bursting causing fires, personal injury and damage. It will also void the Makita warranty for the Makita tool and charger.

Tips for maintaining maximum battery life

1. Charge the battery cartridge before completely discharged. Always stop tool operation and charge the battery cartridge when you notice less tool power.

2. Never recharge a fully charged battery cartridge. Overcharging shortens the battery service life.
3. Charge the battery cartridge with room temperature at 10 °C - 40 °C (50 °F - 104 °F). Let a hot battery cartridge cool down before charging it.
4. When not using the battery cartridge, remove it from the tool or the charger.
5. Charge the battery cartridge if you do not use it for a long period (more than six months).

PARTS DESCRIPTION

When the bucket is installed

► Fig.1

1	Tilt switch	2	Control panel	3	Beep button	4	Switch trigger
5	Rear lamp	6	Handle	7	Battery box	8	Brake lever
9	Rear wheel	10	Rear wheel lock	11	Lock lever	12	Dump unit
13	Front wheel	14	Front lamp	15	Bucket	-	-

When the carrier is installed

► Fig.2

1	Tilt switch	2	Control panel	3	Beep button	4	Switch trigger
5	Rear lamp	6	Handle	7	Battery box	8	Brake lever
9	Rear wheel	10	Rear wheel lock	11	Lock lever	12	Front wheel
13	Front lamp	14	Carrier	-	-	-	-

ASSEMBLY

⚠ CAUTION: Always be sure that the machine is switched off and the battery cartridges are removed before carrying out any work on the machine.

Before installing or removing the carrier or bucket, be sure to lock the brake lever. To lock the brake lever, pull and hold the brake lever, then pull the lock lever, and then release the brake lever while pulling the lock lever.

► Fig.3: 1. Brake lever 2. Lock lever

Installing or removing the bucket

Installing the bucket

1. Take out the bucket, stays, and front pipe from the box.

► Fig.4: 1. Bucket 2. Stay 3. Front pipe

2. Insert the front pipe between the upper frame and lower frame of the dump unit.

► Fig.5: 1. Front pipe

3. Place the stay on the dump unit, and then temporarily tighten the bolts with the front pipe together. Install the other stay to the dump unit in the same way.

► Fig.6: 1. Stay 2. Bolt

4. Place the bucket on the front pipe and left and right stays.

Place the rubber washer on the hole of the bucket and insert the bolt from the top. Attach the flat washer and spring washer in order to the bolt, and then tighten the nut from the bottom. Tighten the rest of the bolts and nuts in the same way.

► Fig.7: 1. Bolt 2. Rubber washer 3. Flat washer 4. Spring washer 5. Nut

5. Securely tighten 4 bolts which were temporarily tightened in step 3.

Removing the bucket

To remove the bucket, perform the installation procedure in reverse.

Installing or removing the carrier

Optional accessory

Installing the carrier

1. Take out the carrier from the box, and attach the side rails and front rail to the base frame.

► Fig.8

2. Tighten 6 thumb nuts together with springs and washers to fix the rails.

► Fig.9: 1. Thumb nut 2. Spring 3. Washer

3. Place the carrier on the dump unit.

Insert the bolt from the top. Attach the flat washer and spring washer in order to the bolt, and then tighten the nut from the bottom. Tighten the rest of the bolts and nuts in the same way.

► Fig.10: 1. Bolt 2. Flat washer 3. Spring washer
4. Nut

Removing the carrier

To remove the carrier, perform the installation procedure in reverse.

FUNCTIONAL DESCRIPTION

⚠ CAUTION: Always be sure that the machine is switched off and the battery cartridge is removed before adjusting or checking function on the machine.

Installing or removing battery cartridge

⚠ CAUTION: Always switch off the machine and lock the brake lever before installing or removing of the battery cartridge.

⚠ CAUTION: Always install the battery cartridge fully until the red indicator cannot be seen. If not, it may accidentally fall out of the machine, causing injury to you or someone around you.

⚠ CAUTION: Do not install the battery cartridge forcibly. If the cartridge does not slide in easily, it is not being inserted correctly.

⚠ CAUTION: Do not use the high-temperature battery cartridge. When the high-temperature battery cartridge is used, the machine stops automatically before a short beep sound is emitted, and may cause an injury.

⚠ CAUTION: Be careful not to pinch your fingers when opening or closing the battery cover.

NOTICE: Make sure that the cover of the battery box is closed securely before use. Otherwise, mud, dirt, or water may cause damage to the product or the battery cartridge.

Installing the battery cartridge

1. Pull up the lock lever, and then open the cover of the battery box.

► Fig.11: 1. Cover 2. Lock lever

2. Align the tongue on the battery cartridge with the slot on the battery box, and then slide the cartridge until it locks in place with a little click.

► Fig.12: 1. Battery cartridge

3. Insert the lock key in the place shown in the figure as far as it will go, and turn it clockwise.

► Fig.13: 1. Lock key

NOTE: To turn the lock key, insert the lock key completely.

4. Close the cover of the battery box.

► Fig.14: 1. Cover

Removing the battery cartridge

1. Pull up the lock lever, and then open the cover of the battery box.

2. Pull out the battery cartridge from the battery box while sliding the button on the front of the cartridge.

► Fig.15: 1. Button

3. Turn the lock key counterclockwise, and pull it out.

4. Close the cover of the battery box.

Machine / battery protection system

The machine is equipped with a machine/battery protection system. This system automatically cuts off power to the motor to extend machine and battery life. The machine will automatically stop during operation if the machine or battery cartridge is under one of the following conditions.

A short beep sound or long beep sound is emitted before the machine stops automatically. The battery indicators and lamps on the control panel blink while the beep sound is emitted.

NOTE: To cancel the beep sound, release the switch trigger and pull the brake lever.

Overload protection

When the machine/battery is operated in a manner that causes it to draw an abnormally high current, the machine automatically stops and the main power lamp blinks in green. In this situation, turn the machine off and stop the application that caused the machine to become overloaded such as reducing the loaded objects. Then turn the machine on to restart.

Overheat protection

When the machine is overheated, the machine stops automatically and the main power lamp lights up in red. In this case, let the machine and battery cool before turning the machine on again.

Overdischarge protection

When the battery capacity is not enough, the main power lamp and the corresponding battery indicator blink in red. In this case, switch the battery cartridges, or change the battery cartridges to fully charged ones, or remove the battery cartridges from the machine and charge them.

NOTE: The main power lamp blinks in red when the battery is overheated.

Protections against other causes

NOTICE: The main power lamp blinks in green and red alternately when the abnormality occurs in the machine. In this case, refer to the section for troubleshooting.

Protection system is also designed for other causes that could damage the machine and allows the machine to stop automatically. Take all the following steps to clear the causes, when the machine has been brought to a temporary halt or stop in operation.

1. Turn the machine off, and then turn it on again to restart.
2. Charge the battery(ies) or replace it/them with recharged battery(ies).
3. Let the machine and battery(ies) cool down.

NOTICE: If no improvement can be found or the machine stops due to a cause not described above, refer to the section for troubleshooting.

Indicating the remaining battery capacity

CAUTION: Before checking the remaining battery capacities or switching the battery cartridges, be sure to stop the machine.

CAUTION: When the battery capacity becomes low, a short beep sound is emitted. In this case, lock the brake lever, and then switch the battery cartridges to charged ones or charge the battery cartridges. If you continue to operate the machine at low battery capacity and the remaining battery capacity runs out, a long beep sound is emitted and the machine automatically stops and this may cause an accident or injury.





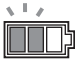

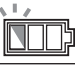
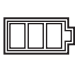
CAUTION: If the beep sound is emitted while operating on slopes, move the machine to a safe place, lock the brake lever, and then switch the battery cartridges to charged ones or charge the battery cartridges.

CAUTION: If the load is large and the beep sound is emitted while operating on slopes, lock the brake lever and pay attention to safety and switch the battery cartridges to charged ones. Move the machine to a safe place and lock the brake lever. Reduce the load before operating the machine again. For details, refer to the section for troubleshooting.

Checking the battery level on the battery box

► **Fig.16:** 1. Battery indicator 2. Check button

Press the check button to indicate the remaining battery capacities. The battery indicators correspond to each battery.

Battery indicator status			Remaining battery capacity
 On	 Blinking	 Off	
			50% - 100%
			20% - 50%
			0% - 20%
			Empty
			Battery not installed

NOTE: If you continue to pull the switch trigger even if you hear the short beep sound, the machine stops automatically. After the machine stops automatically, the beep sound continues and the support brake is enabled. To cancel the beep sound and release the support brake, release the switch trigger and pull the brake lever. Do not push the machine forcibly without releasing the support brake.

NOTE: You can check the remaining battery capacity even if the lock key is not inserted.



















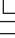
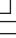




NOTE: The battery indicators for remaining battery capacity are just for reference. Actual battery capacity may vary depending on usage conditions.

Checking the battery level on the battery cartridge

Only for battery cartridges with the indicator

Press the check button on the battery cartridge to indicate the remaining battery capacity. The indicator lamps light up for a few seconds.

► **Fig.17:** 1. Indicator lamps 2. Check button

Indicator lamps			Remaining capacity
Lighted	Off	Blinking	
			75% to 100%
			
			50% to 75%
			25% to 50%
			0% to 25%
			Charge the battery.
			The battery may have malfunctioned.
			

NOTE: Depending on the conditions of use and the ambient temperature, the indication may differ slightly from the actual capacity.

NOTE: The first (far left) indicator lamp will blink when the battery protection system works.

Switching the battery cartridge

► **Fig.18:** 1. Battery selection switch

The machine uses 2 battery cartridges for operation at a time. Up to 4 battery cartridges can be installed to the machine. Before operating the machine, select the battery cartridges used for operation by turning the battery selection switch.

NOTICE: If the battery cartridge is in the following condition, the machine does not work even if you switch the battery with the battery selection switch.

- The remaining capacity of at least one of the battery cartridges is empty.
- At least one of the battery cartridges is overheated.

In this case, remove the empty or overheated battery cartridge, or replace the battery cartridge with a charged one.

NOTE: If only 2 battery cartridges are installed to the machine, be sure to select the installed battery cartridges with the battery selection switch.

Control panel

CAUTION: Always lock the brake lever and turn off the machine when not in use.

Power button

► **Fig.19:** 1. Main power lamp 2. Power button

To turn on the machine, lock the brake lever, and then press the power button without pulling the switch trigger. The main power lamp lights up in green. To turn off the machine, release the switch trigger and lock the brake lever, and then press the power button.

NOTE: An electrical test is performed the first time the machine is driven after the machine is turned on. If a problem is detected, the main power lamp blinks in red or green alternately. In this case, refer to the section for troubleshooting.

NOTE: If the main power lamp lights up in red or blinks in red or green, refer to the instructions for machine/battery protection system or the section for troubleshooting.

NOTE: This machine employs the auto power-off function. To avoid unintentional start up, the machine will automatically shut down when the machine is stopped and not operated for a certain period after the machine is turned on.

NOTE: If you press the power button while pulling the switch trigger, the machine does not turn on. Release the switch trigger, and then press the power button.

Forward/reverse and speed button

► **Fig.20:** 1. Forward/reverse button 2. Speed indicator 3. Speed button

Press the forward/reverse button to switch between the forward mode and reverse mode. Press the speed button to switch between low speed, medium speed, and high speed. When the power is turned on, the forward mode and low speed are set.

NOTE: The forward/reverse button is not available while pulling the switch trigger.

NOTE: A short beep sound comes out when operating the machine in reverse.

NOTE: The speed button is not available when operating the machine in reverse.

NOTE: If the machine detects a problem, the speed indicators blink alternately. In this case, refer to the section for troubleshooting.

Beep button

When you press the beep button, the beep sound is emitted.

► **Fig.21:** 1. Beep button

NOTE: The beep button is available when the machine is turned on.

NOTE: The beep button is available even if the lock key is not inserted in the battery box.

Lighting up the lamps

Press the lamp button on the battery box to light up the front lamps and rear lamp. To turn off the lamps, press the lamp button again.

► **Fig.22:** 1. Lamp button 2. Front lamp

► **Fig.23:** 1. Rear lamp

NOTE: The lamps go off if the machine is not operated for a certain period.

NOTE: The lamps go off when the power is turned off.

NOTE: You can light up the lamps even if the lock key is not inserted.

Switch trigger and brake lever

CAUTION: Before installing the battery cartridge into the machine, always check to see that the switch trigger actuates properly and returns to the "OFF" position when released.

To start the machine, pull the switch trigger. Using the switch trigger, the speed can be adjusted within the set speed range. To stop the machine, release the switch trigger and pull the brake lever.

To lock the brake lever, pull and hold the brake lever, then pull the lock lever, and then release the brake lever while pulling the lock lever. To release the lock, pull the brake lever.

► **Fig.24:** 1. Switch trigger

► **Fig.25:** 1. Brake lever 2. Lock lever

Tilt switch

CAUTION: Be sure to hold the brake lever when you operate the tilt switch.

CAUTION: Before using the tilt switch, make sure that the remaining battery capacity is not low. If the battery capacity is low, lock the brake lever, and then switch the battery cartridges to charged ones or replace the battery cartridges with charged ones.

► **Fig.26:** 1. Tilt switch

You can tilt the bucket or carrier using the tilt switch. To tilt the bucket or carrier forward, press the upper side of the tilt switch while holding the brake lever. To return the bucket or carrier, press the lower side of the tilt switch while holding the brake lever.

NOTE: The beep sound is emitted while the bucket or carrier is moving.

Adjusting the width of the carrier

NOTICE: Make sure that the side rails and front rail are fixed securely after tightening the thumb nuts.

Loosen 6 thumb nuts, and then slide the side rails and front rail. Tighten the thumb nuts to fix the side rails and front rail.

► **Fig.27:** 1. Thumb nut 2. Rail

CAUTION: Do not slide the rails beyond the limit mark.

► **Fig.28**

Adjusting the handle height

NOTICE: Fix the left and right handles at the same height.

The handle height can be adjusted in 7 levels. To adjust the handle height, loosen 2 knobs, then adjust the handle height by aligning the hole on the handle with the protrusion on the rear frame, and then tighten 2 knobs securely. Adjust the height of the other handle in the same way.

► **Fig.29:** 1. Knob

Rear wheel lock

You can fix the direction of the rear wheels using the rear wheel lock.

1. Slightly move the machine forward so that the rear wheels face the direction shown in the figure.

► **Fig.30:** 1. Rear wheel

2. Rotate the rear wheel lock toward the rear.

► **Fig.31:** 1. Rear wheel lock

3. Lock the other rear wheel in the same way.

4. Move the rear wheel back and forth or left and right slightly to make sure it is locked.

To release the rear wheel lock, rotate the rear wheel lock 90° as shown in the figure.

► **Fig.32:** 1. Rear wheel lock

NOTE: The rear wheels can be fixed in 4 different directions as shown in the figure.

► **Fig.33**

Using the level

Using the level, you can check if the ground is level.

► **Fig.34:** 1. Level

OPERATION

CAUTION: Be sure to lock the brake lever before loading or unloading objects.

Operating the machine

NOTICE: Be sure to insert the lock key before the operation. If the lock key is not inserted, a beep sound is emitted when you pull the switch trigger. The beep sound stops by releasing the switch trigger and pulling the brake lever.

NOTICE: Perform the inspection before operating the machine by referring to the section for maintenance.

1. Make sure that the brake lever is locked. Install the battery cartridges, and insert the lock key and turn it clockwise.
2. Select the battery cartridges with the battery selection switch.
3. Press the power button on the control panel to turn the power on.
▶ **Fig.35:** 1. Power button
4. Pull the brake lever to release the lock of the brake lever.
▶ **Fig.36:** 1. Brake lever
5. Hold the handles firmly with both hands.
▶ **Fig.37**
6. Pull the switch trigger.
▶ **Fig.38:** 1. Switch trigger

Loading objects

CAUTION: Before loading objects on the machine, make sure that the machine is turned off and the brake lever is locked.

CAUTION: Before loading objects on the machine, make sure that the dump unit is locked.

CAUTION: Be sure to load objects within the carrier or bucket. If objects are sticking out of the carrier or bucket, they may fall or collapse if they touch obstacles.

▶ **Fig.39**

CAUTION: Be sure to load objects so that they are below eye level. If the load is too high, it is dangerous because the view is obscured. Also, there is a risk of overturning and injury because the load is likely to be unbalanced.

▶ **Fig.40**

CAUTION: Do not load the objects beyond the height of the bucket. Loading the objects beyond the height of the bucket may cause the load to fall or collapse.

When loading objects on the carrier, secure the objects with ropes and tie them down to the rope hooks of the carrier.

▶ **Fig.41:** 1. Rope hook

Dumping objects

CAUTION: When lifting or returning the carrier or bucket, never insert or place any part of your body between the dump unit and the carrier or bucket, or under the dump unit. Doing so may result in injury or burns.

CAUTION: After dumping loads, be sure to lock the dump unit by returning the dump unit to its original position.

CAUTION: Before lifting the carrier or bucket manually, be sure to lock the brake lever.

CAUTION: Lift the carrier or bucket on flat and stable ground. Operation on unstable ground may cause an accident or injury.

CAUTION: Keep the load to a minimum. If the load is large, do not try to lift the carrier or bucket. Reduce the load, and then lift the carrier or bucket.

CAUTION: If the load is fixed by ropes or other means, untie the load before lifting the dump unit.

CAUTION: Before lifting the carrier or bucket, make sure that there are no people or obstacles around the machine.

You can dump the objects by lifting and tilting the carrier or bucket.

1. Stop the machine.
 2. Tilt the bucket or carrier forward by pressing the upper side of the tilt switch while holding the brake lever.
▶ **Fig.42:** 1. Tilt switch
 3. To manually dump the objects left in the bucket or carrier, follow the steps below.
 - Lock the brake lever, and then stand at the side of the machine.
 - Rotate the lock lever of the dump unit toward the front of the machine to unlock the dump unit.
 - Hold the handle of the dump unit, and then tilt the bucket or carrier forward to dump the objects.
 - Return the bucket or carrier to the dump unit.
- ▶ **Fig.43:** 1. Lock lever 2. Dump unit

CAUTION: Hold the handle of the dump unit firmly, and work in a stable posture.

NOTICE: It is recommended to chock the front wheels to stabilize the machine.

4. Return the bucket or carrier to its original position by pressing the lower side of the tilt switch while holding the brake lever.

NOTICE: Be sure to return the bucket or carrier to its original position after dumping objects. If the bucket or carrier is not returned completely and locked, the traveling speed of machine is limited up to 0.8 km/h.

MAINTENANCE

⚠ CAUTION: Always be sure to park the machine on flat ground and lock the brake lever before storage or attempting to perform inspections or maintenance.

⚠ CAUTION: Always be sure that the lock key and battery cartridge are removed from the machine before storage, inspections, or maintenance.

⚠ CAUTION: Always remove the lock key when the machine is not in use. Store the lock key in a safe place out of reach of children.

To maintain product SAFETY and RELIABILITY, repairs, any other maintenance or adjustment should be performed by Makita Authorized or Factory Service Centers, always using Makita replacement parts.

Inspection before operation

Perform the following inspections before operating the machine.

- Check that the bolts, nuts, and knobs are tightened firmly.

► **Fig.44**

- Check that the brake is working properly. If you feel the brake is not working sufficiently, perform the cleaning of the brake. If no improvement can be found, ask Makita Authorized Service Centers for repair.
- Check that the dump unit is locked when the handle of the dump unit is fully pulled down.

► **Fig.45:** 1. Handle

- Check that the tires of front and rear wheels are not damaged, and the air in the tires is sufficient.
- Check that the front lamps, and rear lamp are clean. Clean them if necessary.
- Check that the scrapers are in the correct position. If the scraper is facing upward, adjust the orientation of the scraper by loosening the bolts. When tightening the bolts, do not push the scraper toward the front of the machine.

► **Fig.46:** 1. Scraper

Cleaning the machine

NOTICE: Never use gasoline, benzine, thinner, alcohol or the like. Discoloration, deformation or cracks may result.

NOTICE: Do not use the high pressure washer for cleaning.

NOTICE: When cleaning the machine, be sure to close the cover of battery box. Otherwise, water may enter into the battery box, and cause a malfunction of machine.

Remove mud, dirt, and the like from the machine. Clean the machine with running water. After the cleaning, wipe the machine with a dry cloth.

Storage

Lock the brake lever, and remove the battery cartridges and lock key. Store the machine in a safe place out of the reach of children.

Refilling the tire with air

Check that the air in the tire for the front and rear wheels is not missing. If the air in the tire is insufficient, refill the tire with air using an inflator. The air pressure is as follows:

- Tire for front wheel: 280 kPa (40 PSI)
- Tire for rear wheel: 525 kPa (75 PSI)

Front wheel

► **Fig.47**

Rear wheel

► **Fig.48**

Replacing the tire

⚠ CAUTION: Before replacing the tires, be sure to unload all objects from the machine.

⚠ CAUTION: When replacing the tires, wear the gloves.

Replacing the tire of front wheel

NOTE: When installing the gray tire, install it so that the valve faces outward.

► Fig.49

Replacing the tire of rear wheel

► Fig.50

► Fig.51

TROUBLESHOOTING

Before asking for repairs, conduct your own inspection first. If you find a problem that is not explained in the manual, do not disassemble the machine. Instead, ask Makita Authorized Service Centers, always using Makita replacement parts for repairs.

State of abnormality	Main power lamp	Cause	Remedy
The machine does not turn on.	Turned off.	Two battery cartridges are not installed.	Install two charged battery cartridges.
		Battery problem (under voltage)	Recharge the battery cartridge. If recharging is not effective, replace battery cartridge.
		Battery selection switch is not in the correct position.	Select the correct battery using the battery selection switch.
The machine does not start.	The lamp blinks in red.	Battery's charge level is low.	Recharge the battery cartridge. If recharging is not effective, replace battery cartridge.
		At least one of the battery is empty.	Remove the empty battery, or replace it with charged one. In this case, the far left lamp of the battery indicator of the corresponding battery blinks.
	The lamp blinks in green.	The lock key is not inserted.	Insert the lock key and turn it clockwise.
		The machine stopped due to overload.	Reduce the loaded objects.
		The front or rear wheels are stuck or locked.	Remove the cause of stuck or locked wheels.
	The lamp lights up in red.	The machine stopped due to overheat.	Cool down the machine and battery.
	The lamp blinks in red and green alternately.	The lock key is not inserted.	Insert the lock key and turn it clockwise.
		The machine detected an abnormality.	Turn off the machine, and then back on. A malfunction of machine has occurred. Ask Makita Authorized Service Centers for repair.
The lamp lights up in green.	The neutral change lever is not in its original position.	Lock the brake lever, and then return the neutral change lever to its original position.	
The machine stops after a little use.	The lamp blinks in red.	Battery's charge level is low.	Recharge the battery cartridge. If recharging is not effective, replace battery cartridge.
The traveling speed of machine does not increase.	The lamp lights up in green.	The dump unit is not returned completely, or it is not locked.	Return the dump unit completely and make sure it is locked.

Troubleshooting for stop of machine

⚠ WARNING: Unless absolutely necessary, never disable the support brake of the machine with the neutral change lever. Since the support brake of the machine is disabled, the machine may move unintentionally and cause an accident or personal injury.

⚠ WARNING: Be sure to return the neutral change lever to its original position after pulling the lever outward.

If the machine cannot be moved when the batteries run out or a malfunction of machine has occurred, you can move the machine manually by pulling the neutral change lever outward to disable the support brake.

1. Lock the brake lever.
2. Unload all of the objects from the machine.

⚠ CAUTION: Be sure to unload all objects from the machine. The machine may move unintentionally if the objects are left on the machine.

3. If the machine is on a slope, unlock the brake lever, and orient the machine so that the brake lever is on the upper side of the slope and the machine is parallel to the slope. Lock the brake lever.
▶ Fig.52

4. Make sure that the machine does not move, and pull out the neutral change lever outward.

▶ Fig.53: 1. Neutral change lever

5. Unlock the brake lever and move the machine manually to a safe place. Since the support brake is disabled, move the machine carefully with the brake lever so that the speed does not increase.

6. After moving the machine to a safe place, lock the brake lever.

7. Return the neutral change lever to its original position. Make sure that the neutral change lever is fully returned as shown in the figure.

▶ Fig.54: 1. Neutral change lever

OPTIONAL ACCESSORIES

⚠ CAUTION: These accessories or attachments are recommended for use with your Makita machine specified in this manual. The use of any other accessories or attachments might present a risk of injury to persons. Only use accessory or attachment for its stated purpose.

⚠ CAUTION: Only use the Makita accessory or attachment for the machine. Use of any other accessory or attachment may result in serious personal injury.

If you need any assistance for more details regarding these accessories, ask your local Makita Service Center.

- Carrier
- Bucket
- Front tire (black)
- Front tire (gray)
- Rear tire (gray)
- Makita genuine battery and charger

NOTE: Some items in the list may be included in the tool package as standard accessories. They may differ from country to country.

规格

型号:		DCU602
尺寸 (长 × 宽 × 高)	安装了翻斗时	1,480 mm × 730 mm × 820 mm - 1,030 mm
	安装了托架时	1,450 - 1,600 mm × 730 - 1,080 mm × 820 - 1,030 mm
行驶速度	前进	5.0 / 3.5 / 1.5 km/h
	后退	1.0 km/h
最大承载能力	在平坦路面上	300 kg
	在斜坡上 (3° - 12°)	180 kg
最大爬坡能力		12°
最小转弯半径*		1,150 mm
制动器		手动制动器和辅助制动器
轮胎	前轮	充气轮胎
	后轮	充气轮胎
额定电压		D.C. 36 V
净重	安装了翻斗时	145 - 147 kg
	安装了托架时	141 - 143 kg
防护等级		IPX4

*: 以前轮为轴心转弯时的外径。

- 生产者保留变更规格不另行通知之权利。
- 规格可能因销往国家之不同而异。
- 重量因附件（包括电池组）而异。根据EPTA-Procedure 01/2014，最重与最轻的组合见表。

适用电池组和充电器

电池组	BL1815N / BL1820B / BL1830B / BL1840B / BL1850B / BL1860B
充电器	DC18RC / DC18RD / DC18RE / DC18SD / DC18SE / DC18SF / DC18SH / DC18WC

- 部分以上所列电池组和充电器是否适用视用户所在地区而异。

⚠警告： 请仅使用以上所列电池组和充电器。使用其他类型的电池组或充电器可能会导致人身伤害和 / 或失火。

⚠警告： 请勿将便携电源装置PDC1200或PDC01与本产品一起使用。将其一起使用可能会导致人身伤害或产品故障。

符号

以下显示本设备可能会使用的符号。在使用工具之前，请务必理解其含义。

	阅读使用说明书。
	请勿在斜坡上改变方向。
	本机器不可在公共道路上使用。
	装载或卸载物品前，锁定制动器和倾倒装置。
	请勿在斜坡上装载或卸载物品。
	请勿将机器用于运送人员。
	请勿在斜坡上倾倒物品。倾倒之后将倾倒装置锁定。
	将物品均衡地装入翻斗或托架。请勿不均衡地或仅在前侧装载物品。
	夹伤和挤压危险。操作期间应保持手部远离。请勿将您的手或身体部位放入运动部件。
	最大承载能力：在平坦路面上为300 kg，在斜坡（最大12°）上为180 kg。
	请勿直视灯光。
	请勿用高压清洗机清洗机器。
	操作期间确保旁观者远离机器。
	请勿在凹凸不平的表面周围操作机器。
	翻斗或托架未完全放回时，请勿操作机器。

	倾倒物品前，请拆除绳索。
	务必始终穿着防滑防护鞋。
	拉出空档变换杆前，锁定制动器。
	退回空档变换杆前，锁定制动器。
	气压：前轮胎280 kPa、后轮胎525 kPa。
	确保锁定杆已锁定。
	将锁定杆朝机器前部转动以解锁倾倒装置。
	发出蜂鸣声时，锁定制动握把。
	松开开关扳机时，锁定制动握把。
	要关闭蜂鸣声，请释放开关扳机并捏住制动握把。
	仅限于欧盟国家 由于本设备中包含有害成分，因此废弃的电气和电子设备、蓄电池和普通电池可能会对环境 and 人体健康产生负面影响。 请勿将电气和电子工具或电池与家庭普通废弃物放在一起处置！ 根据欧洲关于废弃电气电子设备、蓄电池和普通电池的指令及其国家层面的修订法案，废弃的电气设备、普通电池和蓄电池应当单独存放并递送至城市垃圾收集点，根据环保法规进行处置。 此规定由标有叉形标志的带轮垃圾桶符号表示。



保证声功率级别符合欧盟室外噪音指令。



声功率级别符合澳大利亚NSW噪音控制规定

用途

本机辅助使用电池供电以用于装载和搬运物品。

安全警告

电动工具通用安全警告

警告 阅读随电动工具提供的所有安全警告、说明、图示和规定。不遵照以下所列说明会导致电击、着火和 / 或严重伤害。

保存所有警告和说明书以备查阅。

警告中的术语“电动工具”是指市电驱动（有线）电动工具或电池驱动（无线）电动工具。

工作场地的安全

1. 保持工作场地清洁和明亮。杂乱和黑暗的场地会引发事故。
2. 不要在易爆环境，如有易燃液体、气体或粉尘的环境下操作电动工具。电动工具产生的火花会点燃粉尘或气体。
3. 操作电动工具时，远离儿童和旁观者。注意力不集中会使你失去对工具的控制。

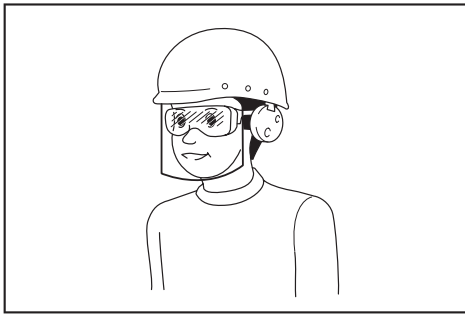
电气安全

1. 电动工具插头必须与插座相配。绝不能以任何方式改装插头。需接地的电动工具不能使用任何转换插头。未经改装的插头和相配的插座将降低电击风险。
2. 避免人体接触接地表面，如管道、散热片和冰箱。如果你身体接触接地表面会增加电击风险。
3. 不得将电动工具暴露在雨中或潮湿环境中。水进入电动工具将增加电击风险。
4. 不得滥用软线。绝不能用软线搬运、拉动电动工具或拔出其插头。使软线远离热源、油、锐边或运动部件。受损或缠绕的软线会增加电击风险。
5. 当在户外使用电动工具时，使用适合户外使用的延长线。适合户外使用的电线将降低电击风险。

6. 如果无法避免在潮湿环境中操作电动工具，应使用带有剩余电流装置（RCD）保护的电源。RCD的使用可降低电击风险。
7. 电动工具会产生对用户无害的电磁场（EMF）。但是，起搏器和其他类似医疗设备的用户应在操作本电动工具前咨询其设备的制造商和 / 或医生寻求建议。

人身安全

1. 保持警觉，当操作电动工具时关注所从事的操作并保持清醒。当你感到疲倦，或在有药物、酒精或治疗反应时，不要操作电动工具。在操作电动工具时瞬间的疏忽会导致严重人身伤害。
2. 使用个人防护装置。始终佩戴护目镜。防护装置，诸如适当条件下使用防尘面具、防滑安全鞋、安全帽、听力防护等装置能减少人身伤害。
3. 防止意外起动。在连接电源和/或电池包、拿起或搬运工具前确保开关处于关断位置。手指放在开关上搬运工具或开关处于接通时通电会导致危险。
4. 在电动工具接通之前，拿掉所有调节钥匙或扳手。遗留在电动工具旋转零件上的扳手或钥匙会导致人身伤害。
5. 手不要过分伸展。时刻注意立足点和身体平衡。这样能在意外情况下能更好地控制住电动工具。
6. 着装适当。不要穿宽松衣服或佩戴饰品。让你的头发和衣服远离运动部件。宽松衣服、佩饰或长发可能会卷入运动部件。
7. 如果提供了与排屑、集尘设备连接用的装置，要确保其连接完好且使用得当。使用集尘装置可降低尘屑引起的危险。
8. 不要因为频繁使用工具而产生的熟悉感而掉以轻心，忽视工具的安全准则。某个粗心的动作可能在瞬间导致严重的伤害。
9. 使用电动工具时请始终佩戴护目镜以免伤害眼睛。护目镜须符合美国ANSI Z87.1、欧洲EN 166或者澳大利亚 / 新西兰的AS / NZS 1336的规定。在澳大利亚 / 新西兰，法律要求佩戴面罩保护脸部。



雇主有责任监督工具操作者和其他近工作区域人员佩戴合适的安全防护设备。

电动工具使用和注意事项

1. 不要勉强使用电动工具，根据用途使用合适的电动工具。选用合适的按照额定值设计的电动工具会使你工作更有效、更安全。
2. 如果开关不能接通或关断电源，则不能使用该电动工具。不能通过开关来控制电动工具是危险的且必须进行修理。
3. 在进行任何调节、更换附件或贮存电动工具之前，必须从电源上拔掉插头和/或卸下电池包（如可拆卸）。这种防护性的安全措施降低了电动工具意外起动的风险。
4. 将闲置不用的电动工具贮存在儿童所及范围之外，并且不允许不熟悉电动工具和不了解这些说明的人操作电动工具。电动工具在未经培训的使用者手中是危险的。
5. 维护电动工具及其附件。检查运动部件是否调整到位或卡住，检查零件破损情况和影响电动工具运行的其他状况。如有损坏，应在使用前修理好电动工具。许多事故是由维护不良的电动工具引发的。
6. 保持切削刀具锋利和清洁。维护良好地有锋利切削刃的刀具不易卡住而且容易控制。
7. 按照使用说明书，并考虑作业条件和要进行的作业来选择电动工具、附件和工具的刀头等。将电动工具用于那些与其用途不符的操作可能会导致危险情况。
8. 保持手柄和握持表面干燥、清洁，不得沾有油脂。在意外的情况下，湿滑的手柄不能保证握持的安全和对工具的控制。
9. 使用本工具时，请勿佩戴可能会缠结的布质工作手套。布质工作手套卷入移动部件可能会造成人身伤害。

电池式工具使用和注意事项

1. 仅使用生产者规定的充电器充电。将适用于某种电池包的充电器用到其他电池包时可能会发生着火危险。
2. 仅使用配有专用电池包的电动工具。使用其他电池包可能会产生伤害和着火危险。
3. 当电池包不用时，将它远离其他金属物体，例如回形针、硬币、钥匙、钉子、螺钉或其他小金属物体，以防电池包一端与另一端连接。电池组端部短路可能会引起燃烧或着火。
4. 在滥用条件下，液体可能会从电池组中溅出；应避免接触。如果意外碰到液体，用水冲洗。如果液体碰到了眼睛，还应寻求医疗帮助。从电池中溅出的液体可能会发生腐蚀或燃烧。
5. 不要使用损坏或改装过的电池包或工具。损坏或改装过的电池组可能呈现无法预测的结果，导致着火、爆炸或伤害。
6. 不要将电池包暴露于火或高温中。电池包暴露于火或高于130 °C的高温中可能导致爆炸。
7. 遵循所有充电说明。不要在说明书中指定的温度范围之外给电池包或电动工具充电。不正确或在指定的温度范围外充电可能会损坏电池和增加着火的风险。

维修

1. 让专业维修人员使用相同的备件维修电动工具。这将保证所维修的电动工具的安全。
2. 决不能维修损坏的电池包。电池包仅能由生产者或其授权的维修服务商进行维修。
3. 上润滑油及更换附件时请遵循本说明书指示。

电池驱动式手推车安全警告

1. 操作机器期间，务必始终穿戴防滑防护鞋。防滑、闭趾安全靴和鞋可减少受伤风险。
2. 载运物品 / 物料前请先检查路径。请熟悉路径并确保路径宽度足够机器在载重情况下安全通过，这样做有助于降低机器失控的风险。

3. 在溜滑、松散和不稳定的地形上，务必格外小心谨慎。湿滑路面（例如潮湿的草地、雪地和冰面），以及松散和不稳定的地面（例如沙地或碎石地面）可能会导致机器失去牵引力，并对转向、制动和稳定性造成不利影响。
 4. 切勿在较陡的斜坡上操作本机。这样可减少机器失控、打滑和倒地的风险。如果斜坡的坡度超过建议的最大坡度，则会增加行驶不稳定的风险，且会对安全驻车能力造成不利影响。
 5. 在斜坡上作业时，务必确保站稳并横跨坡面站立，切勿上下颠簸，变向时务必格外小心谨慎。这样可减少机器失控、打滑和倒地的风险。
 6. 停车、装载和卸载时尽可能地将车停在平坦区域，切勿在无人看守的情况下将机器留在斜坡上。比起平坦路面，将机器停在斜坡会更加不稳定。
 7. 如需离开机器，务必将机器停在安全的停车区域并进行驻车制动。驻车制动可防止前轮意外移动，可提高稳定性。
 8. 确保坡道无障碍、坚实安全。为减少受伤风险，务必清理所有坡道上的碎石，并确保路面足够坚实，能够承受从路面压过的预期承载重量。路基和路面两侧必须足够坚实，避免机器在载重的情况下发生偏斜和左右晃动。所经坡道宽度必须保证工作人员在载运重物时有立足站稳的空间。
 9. 使用前请确保所有锁定螺丝均已牢牢紧固。后轮和开放式托架前挡和侧栏上的锁定螺丝必须牢牢固定，以防止机器上的此类可调节部件意外移动。
 10. 切勿在过载的情况下操作机器。确保机器以适当荷载量装载需要运输的物品或物料。过载会导致机器难以操纵和停止，会增加制动时间和距离，增加了不稳定的风险。
 11. 切勿在物品或物料堆叠过高的情况下操作机器。如果物品物料堆叠高度超过料斗深度或超出料斗两侧，会导致机器失去平衡和控制，变得不受控制。
 12. 使用容器和栓系器具紧固承运物品。松散和/或未栓系的承运物品有可能会偏移，导致失去稳定性和控制。
 13. 务必始终牢牢紧握把手。失去控制会增加人身伤害的风险。
 14. 机器不用时请拔下安全钥匙。安全钥匙可防止机器意外通电工作，例如被儿童或其它未经训练或闲杂人员使用。没有钥匙的情况下电源无法“打开”。
 15. 本机不可在公共道路上使用。在公共道路上使用手推车是非法的，除可能会导致人身伤害外，还会面临地方司法处罚。
 16. 装载和/或卸载本机以进行运输或在不同水平面移动本机时，请使用带防滑和防脱功能的结实板。确保板的倾角不超过12°，务必缓慢、小心地操作本机。如果操作过快或不稳，则可能会导致翻转和/或倾倒。
 17. 切勿拆卸、修理或改装本机。
- 准备**
1. 操作机器前，确保机器周围没有人。
 2. 操作机器前，根据保养章节执行检查。
- 操作**
1. 操作机器时，站立于机器后方并用双手牢牢握住把手。
 2. 切勿骑到机器上操作机器。
 3. 切勿允许他人骑到机器上。
 4. 操作机器后退并倒退行走时，请观察后方并注意脚下，小心避免滑倒或绊倒。
 5. 能见度差时不要使用机器，否则可能会撞到障碍物。
 6. 在高低不平的路面上操作机器或越过道路的高低差时，应减速并小心谨慎。
 7. 使用机器时，避免在软基路面上行驶，以防止路肩坍塌导致翻车。
 8. 请勿在超过12°的斜坡上操作机器。
 9. 如果发现异常，请将机器停在平坦的路面上。检查机器前，锁定制动握把，然后关闭电源。
 10. 操作机器前，确保倾倒装置的把手已完全向下拉到底且已完全锁定。如未完全锁定，则下坡时托架或翻斗可能会倾斜，导致所载物品跌落，因此存在事故或人身伤害的风险。
 11. 靠近墙壁操作机器时，小心避免您的手卡在把手和墙壁之间。
 12. 请勿在恶劣天气，特别是可能出现雷电的天气条件下使用机器。这可降低被雷电击中的风险。
 13. 请勿在使用期间或使用后触碰金属部件，因其可能会由于阳光照射而变烫并导致灼伤。

14. 小心不要使线缆缠绕所載物品或障碍物。
15. 通过木桥时等，确保产品重量、承载量 and 操作人员重量的总和不超过桥的重量限制，并以恒定速度小心过桥。
16. 在低温环境下操作机器时，请佩戴手套。裸手触摸金属部件可能会使您的手被粘住。
17. 如果行进方向上有人或障碍物，应提前避开。
18. 请勿用托架或翻斗直接舀取物品。否则可能会导致机器受损并造成事故的发生。
19. 在泥泞地面、潮湿坡道或湿滑的地方使用机器时，请注意立足稳固。
20. 请勿将机器浸入水坑中。
21. 如果在工作时离开机器，务必使倾倒装置完全退回其原始位置后，锁定制动握把并取出锁定钥匙。
22. 托架或翻斗上装有物品时，请勿使机器无人看管。

斜坡上的操作

1. 切勿在斜坡上横行。
2. 下坡前停下，务必减速并小心谨慎。
3. 下坡时如果速度过快，会发出蜂鸣声。在这种情况下，请使用制动器减速。
4. 在斜坡上启动和停止机器时务必小心谨慎。
5. 因斜坡上所載物品的稳定性会变差，请使用绳索牢牢固定所載物品。
6. 因载重情况会决定机器是否稳定，请将负载量降到最低。
7. 由于斜坡上视线受阻，请将所載物品的堆叠高度降到最低。
8. 切勿将机器停在斜坡上。将机器停在平坦路面上，锁定制动握把，然后关闭电源。
9. 切勿在陡坡上改变方向或速度模式。
10. 切勿在上坡时松开开关扳机。机器可能会反向移动，导致发生事故。
11. 在斜坡上作业之前，请确保剩余电量充足。如果剩余电量不足，请充电或更换满电电池。
12. 在斜坡上启动机器时，请勿将您的脚放在后轮后面，因为机器会向后移动几厘米。

装载物品

1. 切勿过载。装载物品时，务必遵守说明书中的指示，不要超过负载极限。
2. 因为装载量越大，操作机器则越困难，应将装载量保持在不影响操作的范围内。

3. 使用绳索紧固所載物品。
4. 将物品装入托架或翻斗。如果所載物品突出托架或翻斗，则可能会因为物品跌落或碰到如墙体等障碍物，而存在发生事故的风险。
5. 确保所載物品不要超过视线高度。如果堆叠过高，则会使视线受阻，十分危险。同时也存在翻车和人身伤害的风险，因为所載物品可能会失去平衡。
6. 将物品均衡地装入托架或翻斗。如果物品装载不均匀，则可能会因为装载物不平衡，而存在翻车和受伤的风险。
7. 装载物品或操作机器前，确保倾倒装置的把手已完全向下拉到底且已完全锁定。
8. 确保先装载重量较重的物品以保持平衡性。
9. 陡坡上切勿延长前栏和侧栏。装载重量较轻的物品时可延长侧栏。
10. 延长前栏和侧栏时，切勿使它们超过延长极限。延长侧栏时，务必使两边保持在相同的高度并均衡装载物品。
11. 在平坦的路面上装载或卸载物品。切勿在斜坡上装载或卸载物品。
12. 当提起并倾斜托架或翻斗时，请以平稳的姿态牢牢握住把手。

机器运输

1. 使用卡车车厢高度至少4倍长的梯轨，配备适合车厢的固定装置，具有防滑表面和足够宽度，并能承受机器和操作人员的重量。请务必在使用前仔细阅读梯轨的使用说明书。
2. 装载机器前，从机器上卸载所有物品，并清除轮胎的泥土和其他碎屑。将梯轨安装在平稳的表面上。
3. 装载或卸载机器前，确保机器和梯轨周围没有人。慢速装载或卸载机器，注意防止机器从梯轨掉落，并小心头部不要撞到卡车的天花板上。倒退装载或卸载机器时，务必格外小心。
4. 运送机器时，锁定制动握把，关闭电源，取出电池和锁定钥匙，并牢固固定机器。

保养和存放

1. 存放、试图执行检查或保养前，务必将机器停在平坦的路面上，锁定制动握把，关闭机器电源，并取出锁定钥匙和电池组。
2. 请勿在雨天将机器置于室外无人看管。
3. 存放机器时，避免直射阳光和淋雨，将其存放在不会变热或变潮的位置。

4. 本机器在倾倒装置下方配备有液压装置，可以自动倾斜倾倒装置。请勿改装该液压装置，或者拧松装置的安装螺栓或安全阀的调节螺丝。否则可能会造成事故或故障，非常危险。

电池式工具使用和注意事项

1. 仅使用生产者规定的充电器充电。将适用于某种电池包的充电器用到其他电池包时可能会发生着火危险。
2. 仅使用配有专用电池包的电动工具。使用其他电池包可能会产生伤害和着火危险。
3. 当电池包不用时，将它远离其他金属物体，例如回形针、硬币、钥匙、钉子、螺钉或其他小金属物体，以防电池包一端与另一端连接。电池组端部短路可能会引起燃烧或着火。
4. 在滥用条件下，液体可能会从电池组中溅出；应避免接触。如果意外碰到液体，用水冲洗。如果液体碰到了眼睛，还应寻求医疗帮助。从电池中溅出的液体可能会发生腐蚀或燃烧。
5. 不要使用损坏或改装过的电池包或工具。损坏或改装过的电池组可能呈现无法预测的结果，导致着火、爆炸或伤害。
6. 不要将电池包暴露于火或高温中。电池包暴露于火或高于130 °C的高温中可能导致爆炸。
7. 遵循所有充电说明。不要在说明书中指定的温度范围之外给电池包或电动工具充电。不正确或在指定的温度范围外充电可能会损坏电池和增加着火的风险。

电气和电池安全

1. 请勿将电池弃于火中。否则会引起电池爆炸。请查阅当地法规了解适当的特殊处理说明。
2. 请勿打开或拆解电池。溢出的电解质具有腐蚀性，可能会对眼睛或皮肤造成损伤。吞服则有致毒危险。
3. 请勿在雨中或潮湿的地方充电。
4. 勿在室外对电池充电。
5. 请勿用湿手操作充电器，包括充电器插头和充电器端子。
6. 请勿在雨中更换电池。
7. 请勿用水等液体打湿电池端子，或将电池浸于水中。请勿使电池淋雨，也不得在潮湿位置给电池充电、使用或存放电池。如果电池端子被打湿或有液体进入电池，则电池可能会短路，导致过热、起火或爆炸危险。

8. 从机器或充电器取下电池后，请务必在电池上安装电池盖并将其存放在干燥处。
9. 请勿用湿手更换电池。
10. 避免危险的环境。请勿在潮湿或淋雨的环境下使用机器。水进入机器将增加触电的风险。
11. 如果电池组被打湿，请排空其中的水分，再用干布擦拭干净。使用前在干燥处彻底干燥电池组。

请保留此说明书。

警告： 请勿为图方便或因对产品足够熟悉（由于重复使用而获得的经验）而不严格遵循相关产品安全规则。使用不当或不遵循使用说明书中的安全规则会导致严重的人身伤害。

电池组的重要安全注意事项

1. 在使用电池组之前，请仔细阅读所有的说明以及（1）电池充电器，（2）电池，以及（3）使用电池的产品上的警告标记。
2. 切勿拆卸或改装电池组。否则可能引起火灾、过热或爆炸。
3. 如果机器运行时间变得过短，请立即停止使用。否则可能会导致过热、起火甚至爆炸。
4. 如果电解液进入您的眼睛，请用清水将其冲洗干净并立即就医。否则可能会导致视力受损。
5. 请勿使电池组短路：
 - （1）请勿使任何导电材料接触到端子。
 - （2）避免将电池组与其他金属物品如钉子、硬币等放置在同一容器内。
 - （3）请勿将电池组置于水中或使其淋雨。电池短路将产生大的电流，导致过热，并可能导致起火甚至击穿。
6. 请勿在温度可能达到或超过50°C (122°F)的场所存放以及使用工具和电池组。
7. 即使电池组已经严重损坏或完全磨损，也请勿焚烧电池组。电池组会在火中爆炸。
8. 请勿对电池组射钉，或者切削、挤压、抛掷、掉落电池组，又或者用硬物撞击电池组。否则可能引起火灾、过热或爆炸。
9. 请勿使用损坏的电池。

10. 本工具附带的锂离子电池需符合危险品法规要求。
第三方或转运代理等进行商业运输时，应遵循包装和标识方面的特殊要求。有关运输项目的准备作业，咨询危险品方面的专业人士。同时，请遵守可能更为详尽的国家法规。
请使用胶带保护且勿遮掩表面的联络信息，并牢固封装电池，使电池在包装内不可动。
11. 丢弃电池组时，需将其从工具上卸下并在安全地带进行处理。关于如何处理废弃的电池，请遵循当地法规。
12. 仅将电池用于Makita（牧田）指定的产品。将电池安装至不兼容的产品会导致起火、过热、爆炸或电解液泄漏。
13. 如长时间未使用工具，必须将电池从工具内取出。
14. 使用工具期间以及使用工具之后，电池组温度可能较高易引起灼伤或低温烫伤。处理高温电池组时请小心操作。
15. 在使用工具后请勿立即触碰工具的端子，否则可能引起灼伤。
16. 避免锯屑、灰尘或泥土卡入电池组的端子、孔口和凹槽内。否则可能会导致过热、着火、爆炸和工具/电池组故障，导致烫伤或人身伤害。

17. 除非工具支持在高压电源线路附近使用，否则请勿在高压电源线路附近使用电池组。否则可能导致工具或电池组故障或失常。

18. 确保电池远离儿童。

请保留此说明书。

⚠小心： 请仅使用Makita（牧田）原装电池。使用非Makita（牧田）原装电池或经过改装的电池可能会导致电池爆炸，从而造成火灾、人身伤害或物品受损。同时也会导致牧田工具和充电器的牧田保修服务失效。

保持电池最大使用寿命的提示

1. 在电池组电量完全耗尽前及时充电。发现工具电量低时，请停止工具操作，并给电池组充电。
2. 请勿对已充满电的电池组重新充电。过度充电将缩短电池的使用寿命。
3. 请在10°C - 40°C (50°F - 104°F) 的室温条件下给电池组充电。请在灼热的电池组冷却后再充电。
4. 不使用电池组时，请将其从工具或充电器上拆除。
5. 如果电池组长时间（超过六个月）未使用，请给其充电。

部件说明

安装了翻斗时

► 图片1

1	倾斜开关	2	控制面板	3	蜂鸣按钮	4	开关扳机
5	后灯	6	把手	7	电池盒	8	制动握把
9	后轮	10	后轮锁	11	锁定杆	12	倾倒装置
13	前轮	14	前灯	15	翻斗	-	-

安装了托架时

► 图片2

1	倾斜开关	2	控制面板	3	蜂鸣按钮	4	开关扳机
5	后灯	6	把手	7	电池盒	8	制动握把
9	后轮	10	后轮锁	11	锁定杆	12	前轮
13	前灯	14	托架	-	-	-	-

装配

⚠️小心：对机器进行任何装配操作前，请务必关闭机器的电源并取出电池组。

安装或拆卸托架、翻斗之前，请务必锁定制动握把。若要锁定制动握把，捏住制动握把，再拉动锁定杆，然后在拉动锁定杆的同时松开制动握把。

► **图片3：** 1. 制动握把 2. 锁定杆

安装或拆卸翻斗

安装翻斗

1. 从箱中取出翻斗、撑条和前端管。

► **图片4：** 1. 翻斗 2. 撑条 3. 前端管

2. 将前端管插在倾倒装置的上框架和下框架之间。

► **图片5：** 1. 前端管

3. 将撑条放置于倾倒装置上，然后将螺栓与前端管一起暂时拧紧。按照相同的方法将另一个撑条安装至倾倒装置。

► **图片6：** 1. 撑条 2. 螺栓

4. 将翻斗放置于前端管和左右撑条上。

将橡胶垫圈放置于翻斗的孔上，并从顶部插入螺栓。按顺序将平垫圈和弹簧垫圈装至螺栓，然后从底部拧紧螺母。按照相同的方法拧紧其余的螺栓和螺母。

► **图片7：** 1. 螺栓 2. 橡胶垫圈 3. 平垫圈
4. 弹簧垫圈 5. 螺母

5. 牢固拧紧步骤3中暂时拧紧的4个螺栓。

拆卸翻斗

拆卸翻斗时，按与安装步骤相反的顺序执行操作。

安装或拆卸托架

选购附件

安装托架

1. 从箱中取出托架，然后将侧栏和前栏安装至底架。

► **图片8**

2. 将6个手拧螺母与弹簧和垫圈一起拧紧以固定护栏。

► **图片9：** 1. 手拧螺母 2. 弹簧 3. 垫圈

3. 将托架放置于倾倒装置上。

从顶部插入螺栓。按顺序将平垫圈和弹簧垫圈装至螺栓，然后从底部拧紧螺母。按照相同的方法拧紧其余的螺栓和螺母。

► **图片10：** 1. 螺栓 2. 平垫圈 3. 弹簧垫圈
4. 螺母

拆卸托架

若要拆卸托架，按与安装步骤相反的顺序执行操作。

功能描述

⚠️小心：调节或检查本机功能之前，请务必关闭机器并取出电池组。

安装或拆卸电池组

⚠️小心： 安装或拆卸电池组之前，务必关闭机器电源并锁定制动握把。

⚠️小心： 务必完全装入电池组，直至看不见红色指示灯。否则它可能会意外从机器中脱落，从而造成自身或他人受伤。

⚠️小心： 请勿强行安装电池组。如果电池组难以插入，可能是插入方法不当。

⚠️小心： 切勿使用高温电池组。使用高温电池组时，机器会在发出短促的蜂鸣声之前自动停止，可能会导致人身伤害。

⚠️小心： 打开或关闭电池盖时，小心不要夹住您的手指。

注意： 使用前务必锁紧电池盖。以免泥土、灰尘或有水进入，使产品或电池组受损。

安装电池组

1. 拉起锁定杆，然后打开电池盒的盖板。

▶ **图片11：** 1. 盖板 2. 锁定杆

2. 将电池组上的舌簧与电池盒上的槽对齐，然后滑动电池，直到其被锁定并发出卡嗒声为止。

▶ **图片12：** 1. 电池组

3. 在图示位置将锁定钥匙插入到底，并顺时针旋转。

▶ **图片13：** 1. 锁定钥匙

注： 若要转动锁定钥匙，将锁定钥匙完全插入。

4. 关闭电池盒的盖板。

▶ **图片14：** 1. 盖板

取出电池组

1. 拉起锁定杆，然后打开电池盒的盖板。

2. 滑动电池组前侧的按钮，同时将电池组从电池盒中抽出。

▶ **图片15：** 1. 按钮

3. 逆时针旋转锁定钥匙，然后将其拔出。

4. 关闭电池盒的盖板。

机器 / 电池保护系统

本机器配备有机器 / 电池保护系统。该系统可自动切断电机电源以延长机器和电池寿命。操作期间如果机器或电池组处于以下其中一种情况，则机器将会自动停止运转。机器自动停止前会发出短促的蜂鸣声或长蜂鸣声。发出蜂鸣声的同时，控制面板上的电池指示灯和指示灯闪烁。

注： 若要关闭蜂鸣声，请释放开关扳机并拉定制动握把。

过载保护

以导致异常高电流的方式操作机器/电池时，机器会自动停止运转并且主电源指示灯将呈绿色闪烁。在这种情况下，请关闭机器并停止导致机器过载的应用操作，如减少所载物品。然后开启机器以重新启动。

过热保护

机器过热时，机器会自动停止运转并且主电源指示灯将呈红色亮起。在这种情况下，请待机器和电池冷却后再开启机器。

过放电保护

电池电量不足时，主电源指示灯和相应的电池指示灯将呈红色闪烁。在这种情况下，切换电池组或更换为充满电的电池组，或者从机器拆下电池组并给其充电。

注： 电池过热时，主电源指示灯呈红色闪烁。

其他原因防护

注意： 机器出现异常时，主电源指示灯呈绿色和红色交替闪烁。在这种情况下，请参阅故障排除部分。

保护系统还能够出现其他可能导致机器受损的情况时使机器自动停止运转。请在机器暂时或中途停止工作时，执行以下所有步骤以排除故障源。

1. 关闭机器，然后再次重新启动。

2. 给电池充电或更换为充电电池。

3. 请等待机器和电池冷却。

注意： 如果仍无改善或机器因上述所述以外的原因停止，请参阅故障排除部分。

显示电池的剩余电量

⚠️小心： 在检查剩余电池电量或切换电池组之前，请务必停止机器。

⚠️小心： 电池电量变低时，会发出短促的蜂鸣声。在这种情况下，锁定制动握把，然后切换至已充电的电池组或给电池组充电。如果在低电池电量的情况下继续操作机器，则剩余电池电量会耗尽，发出长蜂鸣声，并且机器会自动停止运转，这可能会造成意外事故或人身伤害。






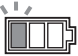


⚠️小心： 如果在斜坡上作业时机器发出蜂鸣声，请将机器移至安全位置后锁定制动握把，然后切换至已充电的电池组或给电池组充电。

⚠️小心： 如果装载量较大，在斜坡上作业时机器发出蜂鸣声，则锁定制动握把，注意安全并切换至已充电的电池组。将机器移至安全的地方，并锁定制动握把。再次操作机器前，请减少装载量。有关详细信息，请参阅故障排除部分。

查看电池盒上的电池电量

► **图片16：** 1. 电池指示灯 2. CHECK（查看）按钮

按CHECK（查看）按钮可显示电池剩余电量。各个电池有与之相对应的电池指示灯。

电池指示灯状态			剩余的 电池电量
 亮起	 闪烁	 熄灭	
			50% - 100%
			20% - 50%
			0% - 20%
			耗尽
			电池未安装

注： 如果在听到短促蜂鸣声的情况下继续扣下开关扳机，则机器会自动停止。机器自动停止后，蜂鸣声会继续鸣响，辅助制动器启动。若要关闭蜂鸣声并解除辅助制动器，请释放开关扳机并拉住制动握把。请勿在未解除辅助制动器的情况下强行推动机器。

注： 即使未插入安全钥匙也可查看剩余电池电量。
















注： 剩余电池电量的电池指示灯仅供参考。实际电池电量可能因使用条件而异。

查看电池组上的电池电量

仅限带指示灯的电池组

按电池组上的CHECK（查看）按钮可显示电池剩余电量。指示灯将亮起数秒。

► **图片17：** 1. 指示灯 2. CHECK（查看）按钮

指示灯			剩余电量
 点亮	 熄灭	 闪烁	
			75%至100%
			50%至75%
			25%至50%
			0%至25%
			给电池充电。
			电池可能出现故障。

注： 在不同的使用条件及环境温度下，指示灯所示电量可能与实际情况略有不同。

注： 当电池保护系统启动时，第一个（最左侧）指示灯将闪烁。

切换电池组

► **图片18：** 1. 电池选择开关

机器一次使用2个电池组用于运转。最多可安装4个电池组至机器。操作机器之前，转动电池选择开关选择用于运转的电池组。

注意：如果电池组处于以下情况，即使用电池选择开关切换电池，机器也不会工作。

- 至少一个电池组的剩余电量耗尽。
- 至少一个电池组过热。

在这种情况下，拆下耗尽或过热的电池组，或者更换为已充电的电池组。

注：如果机器仅安装了2个电池组，务必使用选择电池选择开关选择已安装的电池组。

控制面板

⚠️小心：不使用时，始终锁定制动握把并关闭机器。

电源按钮

► **图片19：** 1. 主电源指示灯 2. 电源按钮

要开启机器时，锁定制动握把，然后在不扣动开关扳机的情况下按下电源按钮。主电源指示灯呈绿色亮起。要关闭机器时，松开开关扳机并锁定制动握把，然后按下电源按钮。

注：机器开启后第一次驱动机器时执行电气测试。如果检测到问题，主电源指示灯呈红色或绿色交替闪烁。在这种情况下，请参阅故障排除部分。

注：如果主电源指示灯呈红色亮起或红色 / 绿色闪烁，请参阅关于机器 / 电池保护系统的说明或故障排除部分。

注：本机器采用自动关机功能。为避免意外启动，机器开启后，若机器停止并在一段时间内未操作，机器将自动关闭。

注：如果在扣动开关扳机的同时按下电源按钮，机器不会启动。松开开关扳机，然后按下电源按钮。

前进 / 后退和速度按钮

► **图片20：** 1. 前进 / 后退按钮 2. 速度指示灯 3. 速度按钮

按下前进 / 后退按钮以切换前进模式和后退模式。按下速度按钮以切换低速、中速和高速。电源开启时，被设定为前进模式和低速。

注：扣住开关扳机时前进 / 后退按钮不可用。

注：操作机器后退时，机器会发出短促的蜂鸣声。

注：操作机器后退时，速度按钮不可用。

注：如果机器检测到问题，速度指示灯将交替闪烁。在这种情况下，请参阅故障排除部分。

蜂鸣按钮

按下蜂鸣按钮时，发出蜂鸣声。

► **图片21：** 1. 蜂鸣按钮

注：机器开启时蜂鸣按钮可用。

注：即使锁定钥匙未插入电池盒，蜂鸣按钮也可用。

点亮照明灯

按下电池盒上的照明灯按钮以点亮前灯和后灯。若要关闭照明灯，再次按下照明灯按钮。

► **图片22：** 1. 照明灯按钮 2. 前灯

► **图片23：** 1. 后灯

注：如果机器在一段时间内未操作，灯会熄灭。

注：电源关闭时灯光熄灭。

注：即使未插入安全钥匙也可点亮照明灯。

开关扳机和制动握把

⚠️小心：在将电池组安装至机器之前，请务必检查开关扳机是否能扣动自如，松开时能否退回至“OFF”（关闭）位置。

若要启动机器，请扣动开关扳机。使用开关扳机，可以在设定的速度范围内调节速度。若要停止机器，请松开开关扳机并扣动制动握把。

若要锁定制动握把，捏住制动握把，再拉动锁定杆，然后在拉动锁定杆的同时松开制动握把。若要解除锁定，请扣动制动握把。

► **图片24：** 1. 开关扳机

► **图片25：** 1. 制动握把 2. 锁定杆

倾斜开关

⚠️小心： 操作倾斜开关时，务必握住制动握把。

⚠️小心： 使用倾斜开关前，确保剩余电池电量不低。如果电池电量低，锁定制动握把，然后切换至已充电的电池组或更换为已充电的电池组。

► **图片26： 1. 倾斜开关**

可使用倾斜开关使翻斗或托架倾斜。要使翻斗或托架向前倾斜时，在握住制动握把的同时按倾斜开关的上侧。要使翻斗或托架退回时，在握住制动握把的同时按倾斜开关的下侧。

注： 翻斗或托架移动时会发出蜂鸣声。

调整托架的宽度

注意： 拧紧手拧螺母后，确保侧栏和前栏已牢固固定。

放松6个手拧螺母，然后滑动侧栏和前栏。拧紧手拧螺母以固定侧栏和前栏。

► **图片27： 1. 翼形螺母 2. 护栏**

⚠️小心： 拉出护栏时切勿使其超出界限标记。

► **图片28**

调节把手高度

注意： 将左右把手固定在同一高度。

把手高度可分为7个档位进行调整。若要调节把手高度，拧松2个旋钮，然后将把手上的孔与后框架上的凸起部分对齐以调节把手高度，然后牢固拧紧2个旋钮。按照相同的方法调节另一个把手的高度。

► **图片29： 1. 旋钮**

后轮锁

可以使用后轮锁固定后轮的方向。

1. 略微向前移动机器，使后轮正对图中所示方向。

► **图片30： 1. 后轮**

2. 将后轮锁朝后旋转。

► **图片31： 1. 后轮锁**

3. 按照相同的方法锁定另一个后轮。

4. 前后或左右略微移动后轮，确保其锁定。若要释放后轮锁，如图所示将后轮锁旋转90°。

► **图片32： 1. 后轮锁**

注： 后轮可以固定于图中所示的4个不同的方向。

► **图片33**

使用水平仪

使用水平仪可以检查地面是否水平。

► **图片34： 1. 水平仪**

操作

⚠️小心： 装载或卸载物品前，请务必锁定制动握把。

操作机器

注意： 操作之前，请务必插入锁定钥匙。如果未插入锁定钥匙，则扣动开关扳机时会发出蜂鸣声。松开开关扳机并扣动制动握把可关闭蜂鸣声。

注意： 操作机器前，根据保养章节执行检查。

1. 确保已锁定制动握把。安装电池组，插入锁定钥匙并顺时针旋转。

2. 用电池选择开关选择电池组。

3. 按住控制面板上的电源按钮以打开电源。

► **图片35： 1. 电源按钮**

4. 扣动制动握把以解除制动握把的锁定状态。

► **图片36： 1. 制动握把**

5. 使用双手握紧把手。

► **图片37**

6. 扣动开关扳机。

► **图片38： 1. 开关扳机**

装载物品

⚠️小心： 将物品装载至机器之前，确保机器已关闭且制动握把已锁定。

⚠️小心： 将物品装载至机器之前，确保倾倒装置已锁定。

小心： 务必将物品装载于托架或翻斗内。如果物品超出托架或翻斗，碰撞到障碍物时，它们可能会跌落或倒塌。

► 图片39

小心： 装载物品时，切勿使所载物品超过视线高度。如果堆叠过高，则会使视线受阻，十分危险。同时也存在翻车和人身伤害的风险，因为所载物品可能会失去平衡。

► 图片40

小心： 请勿装载超出翻斗高度的物品。超出翻斗高度的装载物品可能会导致其跌落或倒塌。

在托架上装载物品时，用绳索紧固物品并将绳索拴在托架绳钩上。

► 图片41： 1. 绳钩

卸载物品

小心： 提起或放回托架或翻斗时，切勿将您身体的任何部位置于倾倒装置与托架或翻斗之间或者倾倒装置之下。否则可能会导致人身伤害或烫伤。

小心： 倾倒装载物后，务必通过使倾倒装置退回其原始位置以将其锁定。

小心： 手动提起托架或翻斗前，务必锁定制动握把。

小心： 在坚实的平坦路面上提起托架或翻斗。如果路面不坚实，则可能会导致发生事故或人身伤害。

小心： 将装载量保持在最低限度。如果装载量大，请勿尝试提起托架或翻斗。减少装载量，然后再提起托架或翻斗。

小心： 如果装载物用绳索或其他方式固定，提起倾倒装置前请解开装载物。

小心： 提起托架或翻斗前，确保机器周围没有人或障碍物。

可通过提起并倾斜托架或翻斗的方式卸载物品。

1. 停止机器。

2. 在握住制动握把的同时按倾斜开关的上侧，使翻斗或托架向前倾斜。

► 图片42： 1. 倾斜开关

3. 要手动倾倒在托架或翻斗内的物品时，请执行以下步骤。

• 锁定制动握把，然后站立于机器旁。

• 将倾倒装置的锁定杆朝机器前部旋转以解锁倾倒装置。

• 握住倾倒装置的把手，然后使翻斗或托架向前倾斜以倾倒物品。

• 将翻斗或托架放回倾倒装置。

► 图片43： 1. 锁定杆 2. 倾倒装置

小心： 牢牢握住倾倒装置的把手，以稳定的姿势作业。

注意： 建议用楔子垫阻前轮以稳定机器。

4. 在握住制动握把的同时按倾斜开关的下侧，使翻斗或托架退回其原始位置。

注意： 倾倒物品后，务必使翻斗或托架退回其原始位置。如果翻斗或托架未完全退回并锁定，机器的行驶速度将被限制于 0.8 km/h。

保养

小心： 在存放机器或执行检查或保养前，务必将机器停驻在平坦的路面并锁定制动握把。

小心： 在存放、检查或保养前，请务必按下锁定钥匙并取出电池组。

小心： 机器不使用时，请按下锁定钥匙。将锁定钥匙存于儿童接触不到的安全位置。

为了保证产品的安全与可靠性，维修、任何其他维修保养或调节需由Makita（牧田）授权的或工厂维修服务中心完成。务必使用Makita（牧田）的替换部件。

操作前的检查

操作机器前，执行以下检查。

• 检查螺栓、螺母和旋钮是否牢固拧紧。

► 图片44

• 检查制动器是否正常工作。如果您感觉制动器未充分起作用，请清洁制动器。如情况没有改善，请联系Makita（牧田）授权的维修服务中心进行维修。

- 倾倒装置的把手已完全向下拉到到底时，确认倾倒装置被锁定。

► **图片45: 1. 把手**

- 确认前后轮的轮胎未损坏，轮胎中空气充足。
- 确认前灯和后灯保持清洁。在必要时对其进行清洁。
- 确认刮板位于正确位置。如果刮板朝上，拧松螺栓以调节刮板的方向。拧紧螺栓时，请勿将刮板推向机器前部。

► **图片46: 1. 刮板**

清洁机器

注意：切勿使用汽油、苯、稀释剂、酒精或类似物品清洁工具。否则可能会导致工具变色、变形或出现裂缝。

注意：请勿使用高压清洗机进行清洁。

注意：清洁机器时，务必关闭电池盒的盖板。否则电池盒可能会进水，并导致机器故障。

去除机器上的泥浆、尘土等污垢。用流水清洁机器。清洁后，用干布擦拭机器。

更换轮胎

⚠小心：更换轮胎前，务必从机器上卸载所有物品。

⚠小心：更换轮胎时，请佩戴手套。

更换前轮的轮胎

注：安装灰色轮胎时，将气门朝外安装。

► **图片49**

更换后轮的轮胎

► **图片50**

► **图片51**

存放

锁定制动握把，并取出电池组和锁定钥匙。将机器存放于儿童接触不到的安全位置。

给轮胎充气

确认前后轮的轮胎不漏气。如果轮胎中空气不足，使用充气机给轮胎充气。气压如下：

- 前轮胎：280 kPa (40 PSI)
- 后轮胎：525 kPa (75 PSI)

前轮

► **图片47**

后轮

► **图片48**

故障排除

请求维修前，请首先自行检查。如果您发现了本手册中未作说明的问题，请勿拆解机器。请联络Makita（牧田）授权维修服务中心，务必使用Makita（牧田）的替换部件进行修复。

异常状态	主电源指示灯	原因	纠正措施
机器无法开启。	熄灭。	未安装两个电池组。	安装两组充满电的电池组。
		电池故障（欠压）	请给电池组充电。如果充电无效，则更换电池组。
		电池选择开关的位置不当。	使用电池选择开关选择正确的电池。
机器无法启动。	指示灯呈红色闪烁。	电池电量低。	请给电池组充电。如果充电无效，则更换电池组。
		至少一个电池耗尽。	取出耗尽的电池，或将其更换为已充电的电池。在这种情况下，相应电池的最左边的电池指示灯会闪烁。
	指示灯呈绿色闪烁。	未插入锁定钥匙。	插入锁定钥匙并顺时针转动。
		机器因过载而停止。	减少所载物品。
		前或后轮卡住或锁定。	消除轮卡住或锁定的原因。
	指示灯呈红色亮起。	机器因过热而停止。	使机器和电池冷却。
	指示灯交替呈红色和绿色闪烁。	未插入锁定钥匙。	插入锁定钥匙并顺时针转动。
机器检测到异常。		关闭机器，然后再开启。 机器发生故障。请联系Makita（牧田）授权的维修服务中心进行修复。	
指示灯呈绿色亮起。	空档变换杆未在其原始位置。	锁定制动握把，然后将空档变换杆退回其原来位置。	
使用一段时间后机器停止。	指示灯呈红色闪烁。	电池电量低。	请给电池组充电。如果充电无效，则更换电池组。
机器的行驶速度不提高。	指示灯呈绿色亮起。	倾倒装置未完全退回或未锁定。	使倾倒装置完全退回，确保其已锁定。

机器停止时的故障排除

警告： 除非绝对必要，切勿使用空档变换杆来禁用机器的辅助制动器。由于禁用机器的辅助制动器，机器可能会意外移动，并造成事故或人身伤害。

警告： 向外拉动杆后，务必将空档变换杆退回其原来位置。

如果电池耗尽或机器发生故障时机器无法移动，可以通过向外拉空档变换杆来禁用辅助制动器，以便手动移动机器。

1. 锁定制动握把。
2. 从机器上卸载所有物品。

小心： 务必从机器上卸载所有物品。如果物品留在机器上，机器可能会意外移动。

3. 如果机器在斜坡上，解锁制动握把后，调整机器方向，使制动握把在斜坡的上侧，且机器与斜坡平行。锁定制动握把。

► 图片52

4. 确保机器不会移动，然后向外拉动空档变换杆。

► 图片53: 1. 空档变换杆

5. 解锁制动握把后，手动将机器移至安全的地方。由于禁用辅助制动器，请在使用制动握把的同时小心移动机器，以免速度增加。

6. 将机器移至安全的地方后，锁定制动握把。

7. 将空档变换杆退回其原始位置。确保空档变换杆如图中所示完全退回。

► 图片54: 1. 空档变换杆

选购附件

小心： 这些附件或装置专用于本说明书所列的Makita（牧田）机器。若使用其他附件或装置，则可能存在人身伤害风险。仅可将附件或装置用于规定目的。

小心： 本机仅可使用Makita（牧田）附件或装置。如使用其他厂牌附件或装置，则可能会导致严重的人身伤害。

如您需要了解更多关于这些选购附件的信息，请咨询当地的Makita（牧田）维修服务中心。

- 托架
- 翻斗
- 前轮胎（黑色）
- 前轮胎（灰色）
- 后轮胎（灰色）
- Makita（牧田）原装电池和充电器

注： 本列表中的一些部件可能作为标准配件包含于工具包装内。它们可能因销往国家之不同而异。

SPESIFIKASI

Model:		DCU602
Dimensi (P x L x T)	Dengan bak terpasang	1.480 mm x 730 mm x 820 - 1.030 mm
	Dengan keranjang terpasang	1.450 - 1.600 mm x 730 - 1.080 mm x 820 - 1.030 mm
Kecepatan jalan	Arah maju	5,0 / 3,5 / 1,5 km/h
	Arah mundur	1,0 km/h
Kapasitas beban maksimum	Di tanah datar	300 kg
	Di lereng (3 ° - 12 °)	180 kg
Kapasitas tanjakan maksimum		12°
Radius belok minimum *		1.150 mm
Rem		Rem tangan dan rem pendukung
Ban	Roda depan	Ban pneumatik
	Roda belakang	Ban pneumatik
Tegangan terukur		D.C. 36 V
Berat bersih	Dengan bak terpasang	145 - 147 kg
	Dengan keranjang terpasang	141 - 143 kg
Derajat perlindungan		IPX4

*: Diameter luar ketika belok dengan bertumpu pada roda depan.

- Karena kesinambungan program penelitian dan pengembangan kami, spesifikasi yang disebutkan di sini dapat berubah tanpa pemberitahuan.
- Spesifikasi dapat berbeda dari satu negara ke negara lainnya.
- Berat alat mungkin berbeda tergantung perangkat tambahan yang dipasang, termasuk kartrid baterai. Kombinasi alat terberat dan teringan, sesuai Prosedur EPTA 01/2014, ditunjukkan pada tabel.

Kartrid dan pengisi daya baterai yang dapat digunakan

Kartrid baterai	BL1815N / BL1820B / BL1830B / BL1840B / BL1850B / BL1860B
Pengisi daya	DC18RC / DC18RD / DC18RE / DC18SD / DC18SE / DC18SF / DC18SH / DC18WC

- Beberapa kartrid baterai dan pengisi daya yang tercantum di atas mungkin tidak tersedia, tergantung wilayah tempat tinggal Anda.

⚠PERINGATAN: Hanya gunakan kartrid dan pengisi daya baterai yang tercantum di atas. Penggunaan kartrid dan pengisi daya baterai lain dapat menimbulkan risiko cedera dan/atau kebakaran.

⚠PERINGATAN: Jangan pernah menggunakan Paket Daya Portabel PDC1200 atau PDC01 dengan produk ini. Menggunakan keduanya secara bersamaan dapat menyebabkan cedera badan atau malafungsi.

Simbol

Berikut ini adalah simbol-simbol yang dapat digunakan pada peralatan ini. Pastikan Anda memahami arti masing-masing simbol sebelum menggunakan peralatan.



Baca petunjuk penggunaan.



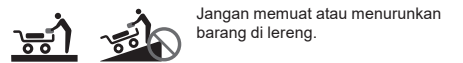
Jangan mengubah arah di lereng.



Mesin ini tidak dapat digunakan di jalan umum.



Sebelum memuat atau menurunkan barang, kunci rem dan unit penurunan.



Jangan memuat atau menurunkan barang di lereng.



Jangan gunakan mesin untuk mengangkut orang.



Jangan menurunkan barang di lereng. Kunci unit penurunan setelah menurunkan.



Muat barang ke dalam bak atau keranjang secara merata. Jangan memuat barang secara tidak merata atau hanya di sisi depan.



Bahaya terjepit dan tergilas. Jaga tangan tetap bersih selama pengoperasian. Jangan memasukkan tangan atau bagian tubuh Anda ke bagian yang bergerak.



Kapasitas beban maksimum: 300 kg di tanah datar dan 180 kg di lereng (hingga 12°).



Jangan melihat secara langsung ke lampu.



Jangan cuci mesin dengan pembersih bertekanan tinggi.



Jauhkan pengamat dari mesin selama pengoperasian.



Jangan mengoperasikan mesin di sekitar permukaan yang tidak rata.



Jangan mengoperasikan mesin saat bak atau keranjang tidak dikembalikan sepenuhnya.



Lepaskan tali sebelum menurunkan barang.



Selalu kenakan alas kaki anti selip dan pelindung.



Kunci rem sebelum menarik keluar tuas pengubah netral.



Kunci rem sebelum mengembalikan tuas pengubah netral.



Tekanan udara: ban depan 280 kPa dan ban belakang 525 kPa.



Pastikan tuas kunci terkunci.



Putar tuas pengunci ke arah depan mesin untuk membuka kunci unit penurunan.



Saat terdengar suara alarm, kunci tuas rem.



Saat Anda melepaskan pelatuk sakelar, kunci tuas rem.



Untuk menghentikan bunyi bip, lepas pelatuk sakelar dan tarik tuas rem.



Ni-MH
Li-ion

Hanya untuk negara-negara UE
Akibat adanya komponen berbahaya dalam peralatan, limbah peralatan listrik dan elektronik, aki dan baterai dapat memiliki dampak negatif pada lingkungan dan kesehatan manusia. Jangan buang peralatan listrik dan elektronik atau baterai bersama limbah rumah tangga!
Sesuai dengan Petunjuk Eropa tentang limbah peralatan listrik dan elektronik dan tentang aki dan baterai serta limbahnya terhadap undang-undang nasional, limbah peralatan listrik, baterai dan aki harus disimpan secara terpisah dan dikirim ke tempat pengumpulan terpisah untuk sampah kota, beroperasi sesuai dengan peraturan tentang perlindungan lingkungan. Hal ini ditunjukkan dengan simbol tempat sampah bersilang yang ditempatkan pada peralatan.



Level kekuatan suara terjamin sesuai dengan Petunjuk Kebisingan Di Luar Ruang Uni Eropa.



Level kekuatan suara sesuai dengan Peraturan Kontrol Kebisingan NSW Australia

Penggunaan

Mesin ini digunakan untuk memuat dan mengangkut barang-barang dengan bantuan daya baterai.

PERINGATAN KESELAMATAN

Peringatan keselamatan umum mesin listrik

⚠️ PERINGATAN Bacalah semua peringatan keselamatan, petunjuk, ilustrasi dan spesifikasi yang disertakan bersama mesin listrik ini. Kelalaian untuk mematuhi semua petunjuk yang tercantum di bawah ini dapat menyebabkan sengatan listrik, kebakaran dan/atau cedera serius.

Simpanlah semua peringatan dan petunjuk untuk acuan di masa depan.

Istilah "mesin listrik" dalam semua peringatan mengacu pada mesin listrik yang dijalankan dengan sumber listrik jala-jala (berkabel) atau baterai (tanpa kabel).

Keselamatan tempat kerja

1. **Jaga tempat kerja selalu bersih dan berpenerangan cukup.** Tempat kerja yang berantakan dan gelap mengundang kecelakaan.
2. **Jangan gunakan mesin listrik dalam lingkungan yang mudah meledak, misalnya jika ada cairan, gas, atau debu yang mudah menyala.** Mesin listrik menimbulkan bunga api yang dapat menyalaikan debu atau uap tersebut.
3. **Jauhkan anak-anak dan orang lain saat menggunakan mesin listrik.** Bila perhatian terpecah, anda dapat kehilangan kendali.

Keamanan Kelistrikan

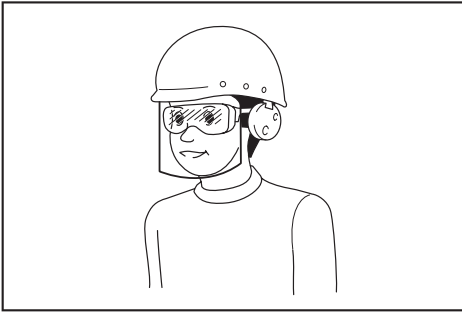
1. **Steker mesin listrik harus cocok dengan stopkontak. Jangan sekali-kali mengubah steker dengan cara apa pun. Jangan menggunakan steker adaptor dengan mesin listrik terbumi (dibumikan).** Steker yang tidak diubah dan stopkontak yang cocok akan mengurangi risiko sengatan listrik.
2. **Hindari sentuhan tubuh dengan permukaan terbumi atau yang dibumikan seperti pipa, radiator, kompor, dan kulkas.** Risiko sengatan listrik bertambah jika tubuh Anda terbumikan atau dibumikan.
3. **Jangan membiarkan mesin listrik kejujanaan atau kebasahan.** Air yang masuk ke dalam mesin listrik akan meningkatkan risiko sengatan listrik.
4. **Jangan menyalahgunakan kabel. Jangan sekali-kali menggunakan kabel untuk membawa, menarik, atau mencabut mesin listrik dari stopkontak. Jauhkan kabel dari panas, minyak, tepian tajam, atau bagian yang bergerak.** Kabel yang rusak atau kusut memperbesar risiko sengatan listrik.
5. **Bila menggunakan mesin listrik di luar ruangan, gunakan kabel ekstensi yang sesuai untuk penggunaan di luar ruangan.** Penggunaan kabel yang sesuai untuk penggunaan luar ruangan mengurangi risiko sengatan listrik.

6. **Jika mengoperasikan mesin listrik di lokasi lembap tidak terhindarkan, gunakan pasokan daya yang dilindungi peranti imbasan arus (residual current device - RCD).** Penggunaan RCD mengurangi risiko sengatan listrik.
7. **Mesin listrik dapat menghasilkan medan magnet (EMF) yang tidak berbahaya bagi pengguna.** Namun, pengguna alat pacu jantung atau peralatan medis sejenisnya harus berkonsultasi dengan produsen peralatan tersebut dan/atau dokter mereka sebelum mengoperasikan mesin listrik ini.

Keselamatan Diri

1. **Jaga kewaspadaan, perhatikan pekerjaan Anda dan gunakan akal sehat bila menggunakan mesin listrik. Jangan menggunakan mesin listrik saat Anda lelah atau di bawah pengaruh obat bius, alkohol, atau obat.** Sekejap saja lalai saat menggunakan mesin listrik dapat menyebabkan cedera badan serius.
2. **Gunakan alat pelindung diri. Selalu gunakan pelindung mata.** Peralatan pelindung seperti masker debu, sepatu pengaman anti-selip, helm pengaman, atau pelindung telinga yang digunakan untuk kondisi yang sesuai akan mengurangi risiko cedera badan.
3. **Cegah penyalaan yang tidak disengaja. Pastikan bahwa sakelar berada dalam posisi mati (off) sebelum menghubungkan mesin ke sumber daya dan/atau paket baterai, atau mengangkat atau membawanya.** Membawa mesin listrik dengan jari Anda pada sakelarnya atau mengalirkan listrik pada mesin listrik yang sakelarnya hidup (on) akan mengundang kecelakaan.
4. **Lepaskan kunci-kunci penyetel sebelum menghidupkan mesin listrik.** Kunci-kunci yang masih terpasang pada bagian mesin listrik yang berputar dapat menyebabkan cedera.
5. **Jangan meraih terlalu jauh. Jagalah pijakan dan keseimbangan sepanjang waktu.** Hal ini memungkinkan kendali yang lebih baik atas mesin listrik dalam situasi yang tidak diharapkan.
6. **Kenakan pakaian yang memadai. Jangan memakai pakaian yang longgar atau perhiasan. Jaga jarak antara rambut dan pakaian Anda dengan komponen mesin yang bergerak.** Pakaian yang longgar, perhiasan, atau rambut yang panjang dapat tersangkut pada komponen yang bergerak.
7. **Jika tersedia fasilitas untuk menghisap dan mengumpulkan debu, pastikan fasilitas tersebut terhubung listrik dan digunakan dengan baik.** Penggunaan pembersih debu dapat mengurangi bahaya yang terkait dengan debu.
8. **Jangan sampai Anda lengah dan mengabaikan prinsip keselamatan mesin ini hanya karena sudah sering mengoperasikannya dan sudah merasa terbiasa.** Tindakan yang lalai dapat menyebabkan cedera berat dalam sepersekian detik saja.

9. **Selalu kenakan kacamata pelindung untuk melindungi mata dari cedera saat menggunakan mesin listrik. Kacamata harus sesuai dengan ANSI Z87.1 di Amerika Serikat, EN 166 di Eropa, atau AS/NZS 1336 di Australia/Selandia Baru. Di Australia/Selandia Baru, secara hukum Anda juga diwajibkan mengenakan pelindung wajah untuk melindungi wajah Anda.**



Menjadi tanggung jawab atasannya untuk menerapkan penggunaan alat pelindung keselamatan yang tepat bagi operator mesin dan orang lain yang berada di area kerja saat itu.

Penggunaan dan pemeliharaan mesin listrik

1. **Jangan memaksa mesin listrik. Gunakan mesin listrik yang tepat untuk keperluan Anda.** Mesin listrik yang tepat akan menuntaskan pekerjaan dengan lebih baik dan aman pada kecepatan sesuai rancangannya.
2. **Jangan gunakan mesin listrik jika sakelar tidak dapat menyala dan memastikannya.** Mesin listrik yang tidak dapat dikendalikan dengan sakelarnya adalah berbahaya dan harus diperbaiki.
3. **Cabut steker dari sumber listrik dan/atau lepas paket baterai, jika dapat dilepas, dari mesin listrik sebelum melakukan penyetelan apa pun, mengganti aksesoris, atau menyimpan mesin listrik.** Langkah keselamatan preventif tersebut mengurangi risiko hidupnya mesin secara tak sengaja.
4. **Simpan mesin listrik jauh dari jangkauan anak-anak dan jangan biarkan orang yang tidak paham mengenai mesin listrik tersebut atau petunjuk ini menggunakan mesin listrik.** Mesin listrik sangat berbahaya di tangan pengguna yang tak terlatih.
5. **Rawatlah mesin listrik dan aksesoris. Periksa apakah ada komponen bergerak yang tidak lurus atau macet, komponen yang pecah, dan kondisi-kondisi lain yang dapat memengaruhi pengoperasian mesin listrik. Jika rusak, perbaiki mesin listrik terlebih dahulu sebelum digunakan.** Banyak kecelakaan disebabkan oleh kurangnya pemeliharaan mesin listrik.
6. **Jaga agar mesin pemotong tetap tajam dan bersih.** Mesin pemotong yang terawat baik dengan mata pemotong yang tajam tidak mudah macet dan lebih mudah dikendalikan.
7. **Gunakan mesin listrik, aksesoris, dan mata mesin, dll. sesuai dengan petunjuk ini, dengan memperhitungkan kondisi kerja dan jenis pekerjaan yang dilakukan.** Penggunaan mesin listrik untuk penggunaan yang lain dari peruntukan dapat menimbulkan situasi berbahaya.
8. **Jagalah agar gagang dan permukaan pegangan tetap kering, bersih, dan bebas dari minyak dan pelumas.** Gagang dan permukaan pegangan yang licin tidak mendukung keamanan penanganan dan pengendalian mesin dalam situasi-situasi tak terduga.
9. **Ketika menggunakan mesin, jangan menggunakan sarung tangan kain yang dapat tersangkut.** Sarung tangan kain yang tersangkut pada komponen bergerak dapat mengakibatkan cedera pada pengguna.

Penggunaan dan pemeliharaan mesin bertenaga baterai

1. **Isi ulang baterai hanya dengan pengisi daya yang ditentukan oleh pabrikan.** Pengisi daya yang cocok untuk satu jenis paket baterai dapat menimbulkan risiko kebakaran ketika digunakan untuk paket baterai yang lain.
2. **Gunakan mesin listrik hanya dengan paket baterai yang telah ditentukan secara khusus.** Penggunaan paket baterai lain dapat menimbulkan risiko cedera dan kebakaran.
3. **Ketika paket baterai tidak digunakan, jauhkan dari benda logam lain, seperti penjepit kertas, uang logam, kunci, paku, sekrup atau benda logam kecil lainnya, yang dapat menghubungkan satu terminal ke terminal lain.** Hubungan singkat terminal baterai dapat menyebabkan luka bakar atau kebakaran.
4. **Pemakaian yang salah, dapat menyebabkan keluarnya cairan dari baterai; hindari kontak. Jika terjadi kontak secara tidak sengaja, bilas dengan air. Jika cairan mengenai mata, cari bantuan medis.** Cairan yang keluar dari baterai bisa menyebabkan iritasi atau luka bakar.
5. **Jangan menggunakan paket baterai atau mesin yang sudah rusak atau telah diubah.** Baterai yang rusak atau telah diubah dapat menyebabkan hal-hal yang tidak dapat diprediksi yang dapat menyebabkan kebakaran, ledakan atau risiko cedera.
6. **Jangan membiarkan paket baterai atau mesin dekat dengan api atau suhu yang berlebihan.** Paparan api atau suhu di atas 130 °C dapat menyebabkan ledakan.
7. **Ikuti semua petunjuk pengisian daya dan jangan mengisi daya paket baterai atau mesin di luar rentang suhu yang ditentukan di panduan.** Mengisi daya secara tidak tepat atau pada suhu di luar rentang yang ditentukan dapat merusak baterai dan meningkatkan risiko kebakaran.

Servis

1. **Berikan mesin listrik untuk diperbaiki hanya kepada oleh teknisi yang berkualifikasi dengan menggunakan hanya suku cadang pengganti yang serupa.** Hal ini akan menjamin terjaganya keamanan mesin listrik.

2. **Jangan pernah memperbaiki paket baterai yang sudah rusak.** Perbaikan paket baterai harus dilakukan hanya oleh produsen atau penyedia servis resmi.
3. **Patuhi petunjuk pelumasan dan penggantian aksesoris.**

Peringatan keselamatan gerobak sorong tenaga baterai

1. **Ketika mengoperasikan mesin, selalu kenakan sepatu pelindung antiselip.** Sepatu dan but pelindung antiselip yang tertutup di bagian jarinya akan mengurangi risiko cedera.
2. **Periksa jalur yang akan dilalui sebelum mengangkat barang/material.** Biasakan diri Anda dengan jalur tersebut dan pastikan jalur cukup lebar untuk navigasi mesin dengan beban muatan secara aman sehingga mengurangi risiko kehilangan kendali terhadap mesin.
3. **Hati-hati pada medan yang licin, tidak mantap, dan tidak stabil.** Permukaan basah dan licin, seperti area berumput basah, salju atau es, dan medan yang tidak mantap dan tidak stabil seperti permukaan berpasir atau berkerikil, dapat menyebabkan mesin kehilangan traksi dan mengganggu pengemudian, pengereman, dan stabilitas.
4. **Jangan operasikan mesin di lereng yang curam.** Hal ini mengurangi risiko kehilangan kendali, terpeleset dan jatuh, yang dapat mengakibatkan cedera. Lereng dengan kemiringan dan kemiringan sisi yang lebih dari kemiringan maksimum yang disarankan dapat meningkatkan risiko ketidakstabilan dan dapat mengganggu kemampuan untuk berhenti dengan aman.
5. **Ketika bekerja di atas lereng, pastikan pijakan kaki Anda, selalu bekerja dengan posisi melintang di muka lereng, jangan pernah bekerja dengan posisi sesuai arah menurun atau menaik lereng, dan berhati-hatilah ketika belok.** Hal ini mengurangi risiko kehilangan kendali, terpeleset dan jatuh, yang dapat mengakibatkan cedera.
6. **Sebisa mungkin gunakan area yang rata untuk berhenti, memuat dan menurunkan beban, dan jangan pernah meninggalkan mesin tanpa pengawasan di atas lereng.** Mesin semakin tidak stabil ketika berada di atas lereng daripada ketika berhenti di permukaan yang rata.
7. **Ketika meninggalkan mesin tanpa pengawasan, aktifkan rem parkir dengan posisi mesin berada di area berhenti yang aman.** Rem parkir mencegah gerakan yang tidak diinginkan pada roda depan dan dapat meningkatkan kestabilan.
8. **Pastikan landasan miring bersih, kuat, dan aman.** Untuk mengurangi risiko cedera, semua landasan miring harus bersih dari kotoran yang mudah rontok serta cukup kuat untuk menahan berat beban yang akan diangkat di atasnya. Landasan miring harus memiliki penyangga yang cukup di bawahnya serta di samping-sampingnya untuk mengurangi defleksi dan pergerakan ke samping saat terbebani. Semua landasan miring harus cukup lebar sehingga terdapat pijakan yang mantap saat beban diangkat melewatinya.
9. **Pastikan semua sekrup pengunci terpasang kencang sebelum digunakan.** Sekrup pengunci pada roda-roda belakang serta dinding samping dan depan keranjang tipe terbuka harus kencang untuk mencegah gerakan yang tidak diinginkan pada bagian-bagian mesin yang dapat disetel ini.
10. **Jangan pernah mengoperasikan mesin dalam kondisi kelebihan beban.** Pastikan mesin memiliki nilai kapasitas yang sesuai untuk barang atau material yang akan diangkat. Beban berlebih akan mempersulit manuver dan penghentian mesin, meningkatkan waktu dan jarak penghentian, serta meningkatkan risiko ketidakstabilan.
11. **Jangan pernah mengoperasikan mesin dengan kondisi barang terlalu menumpuk.** Menumpuk material hingga di atas tepi penampung atau melebihi sisi-sisinya dapat menyebabkan mesin kehilangan keseimbangan dan kendali.
12. **Gunakan wadah dan ikat untuk mengencangkan beban.** Muatan yang tidak kokoh dan/atau tidak dikencangkan lebih mudah bergeser sehingga dapat mengakibatkan kehilangan kestabilan dan kendali.
13. **Selalu pegang pegangan dengan kuat.** Kehilangan kendali dapat meningkatkan risiko cedera.
14. **Cabut kunci pengaman saat tidak digunakan.** Kunci pengaman mencegah mesin menyala dan digunakan secara tidak semestinya, misalnya oleh anak-anak atau orang lain yang tidak berpengalaman atau tidak berwenang. Tanpa kunci, daya listrik tidak dapat "dinyalakan".
15. **Mesin ini tidak dapat digunakan di jalan umum.** Penggunaan gerobak sorong di jalan umum melanggar aturan dan dapat menyebabkan penalti sesuai hukum setempat juga dapat menyebabkan cedera.
16. **Gunakan pelat kokoh dengan fungsi antislip dan pencegahan pemisahan ketika memuat dan/atau membongkar mesin untuk transportasi, atau memindahkan mesin di antara tingkat yang berbeda.** Pastikan kemiringan pelat tidak melampaui 12°, dan operasikan mesin secara perlahan dan dengan hati-hati. Pengoperasian yang tidak stabil dan cepat dapat mengakibatkan mesin terguling dan/atau jatuh.
17. **Jangan membongkar, memperbaiki, atau memodifikasi mesin ini.**

Persiapan

1. Sebelum mengoperasikan mesin, pastikan tidak ada orang di sekitar mesin.
2. Sebelum mengoperasikan mesin, lakukan pemeriksaan dengan mengacu pada bagian pemeliharaan.

Pengoperasian

1. Ketika mengoperasikan mesin, berdirilah di belakang mesin dan pegang pegangannya dengan kedua tangan dengan kuat.
2. Jangan operasikan mesin sambil naik di atasnya.
3. Jangan biarkan orang lain menaiki mesin.
4. Ketika mengoperasikan mesin dalam arah mundur sambil berjalan mundur, waspada akan apa yang ada di belakang Anda dan perhatikan langkah Anda, dan hati-hati agar jangan sampai terpeleset atau tersandung.
5. Jangan gunakan mesin ketika visibilitas buruk karena ada risiko menabrak halangan.
6. Saat mengoperasikan mesin di tanah yang kasar atau melewati perbedaan ketinggian jalan, kurangi kecepatan dan berhati-hatilah.
7. Ketika menggunakan mesin, hindari tanah yang lunak untuk mencegah mesin terguling akibat bahu jalan ambles.
8. Jangan operasikan mesin pada kemiringan lebih dari 12°.
9. Jika menemukan kelainan, hentikan mesin di tanah yang datar. Sebelum memeriksa mesin, kunci tuas rem, dan kemudian matikan daya.
10. Sebelum mengoperasikan mesin, pastikan bahwa pegangan unit penurunan diturunkan seluruhnya dan terkunci sepenuhnya. Jika penguncian tidak sempurna, terdapat risiko kecelakaan atau cedera karena keranjang atau bak dapat miring dan barang-barang jatuh saat menuruni tanjakan.
11. Saat mengoperasikan mesin di dekat dinding, berhati-hatilah agar tangan Anda tidak terjepit di antara pegangan dan dinding.
12. Jangan gunakan mesin saat kondisi cuaca buruk, terutama jika terdapat risiko sambaran petir. Hal ini akan mengurangi risiko disambar petir.
13. Jangan langsung sentuh bagian logam selama digunakan atau setelah digunakan karena suhunya mungkin cukup panas untuk menyebabkan luka bakar akibat sinar matahari.
14. Jangan sampai kabel terbelit muatan atau halangan.
15. Saat melintasi jembatan kayu, dll., pastikan bahwa jumlah berat produk, kapasitas muat, dan berat operator tidak melebihi batas berat jembatan, dan lewati jembatan secara hati-hati dengan kecepatan konstan.
16. Kenakan sarung tangan saat mengoperasikan mesin di lingkungan bersuhu rendah. Menyentuh bagian logam dengan tangan kosong dapat menyebabkan tangan Anda lengket.
17. Jika ada orang atau rintangan di arah perjalanan, hindari terlebih dahulu.

18. Jangan menyendok barang secara langsung dengan keranjang atau bak. Jika dilakukan dapat mengakibatkan kerusakan mesin dan menyebabkan kecelakaan.
19. Ketika Anda menggunakan mesin di permukaan berlumpur, lereng basah, atau tempat yang licin, perhatikan pijakan Anda dengan saksama.
20. Jangan biarkan mesin terendam genangan air.
21. Saat Anda meninggalkan mesin saat bekerja, pastikan untuk mengembalikan unit penurunan sepenuhnya ke posisi semula, dan kunci tuas rem serta lepaskan kunci pengunci.
22. Jangan tinggalkan mesin tanpa pengawasan saat benda dimuat di keranjang atau bak.

Pengoperasian di lereng

1. Jangan menyeberangi lereng.
2. Berhenti sebelum menuruni bukit, dan pastikan untuk mengurangi kecepatan dan berhati-hati.
3. Jika kecepatan terlalu cepat saat berjalan menuruni bukit, suara alarm akan terdengar. Jika hal ini terjadi, kurangi kecepatan menggunakan rem.
4. Berhati-hatilah saat menyalakan atau menghentikan mesin di lereng.
5. Kestabilan muatan dapat berkurang di lereng, jadi, kencangkan dengan tali.
6. Karena mesin menjadi tidak stabil tergantung pada kondisi jalan, jaga muatan pada level minimum.
7. Karena pandangan terhalang saat di lereng, jaga agar tinggi muatan tetap minimum.
8. Jangan menghentikan mesin di lereng. Hentikan mesin di tanah yang datar, dan kunci tuas rem, dan kemudian matikan daya.
9. Jangan mengubah arah atau mode kecepatan di lereng yang curam.
10. Jangan lepas pelatuk sakelar di lereng menanjak. Mesin dapat bergerak mundur dan menyebabkan kecelakaan.
11. Pastikan kapasitas baterai yang tersisa cukup sebelum beroperasi di lereng. Jika kapasitas baterai yang tersisa tidak cukup, isi ulang baterai atau ganti dengan baterai yang terisi.
12. Saat menghidupkan mesin di lereng, jangan letakkan kaki Anda di belakang roda belakang karena mesin bergerak mundur beberapa sentimeter.

Memuat barang

1. Jangan memuat secara berlebihan. Ketika memuat barang, pastikan Anda mematuhi petunjuk dan batas beban dalam buku petunjuk.
2. Karena semakin besar muatan, semakin sulit mengoperasikan mesin, jaga agar beban tetap dalam kisaran yang tidak memengaruhi pengoperasian.
3. Kencangkan barang dengan tali.
4. Muat barang ke dalam keranjang atau bak. Jika barang mencuat keluar dari keranjang atau bak, terdapat risiko kecelakaan akibat barang terjatuh atau tertahan oleh penghalang seperti dinding.

5. **Pastikan tinggi muatan barang di bawah tinggi mata Anda.** Jika muatan terlalu tinggi, akan berbahaya karena pandangan terhalang. Selain itu, terdapat risiko terguling dan timbul cedera karena beban berkemungkinan tidak seimbang.
6. **Muat barang ke dalam keranjang atau bak secara merata.** Jika barang tidak dimuat secara merata, terdapat risiko terguling dan timbul cedera karena beban berkemungkinan tidak seimbang.
7. **Sebelum memuat barang atau mengoperasikan mesin, pastikan bahwa pegangan unit penurunan diturunkan seluruhnya dan terkunci sepenuhnya.**
8. **Pastikan untuk memuat barang yang berat terlebih dahulu untuk menjaga keseimbangan.**
9. **Jangan merentangkan birai depan dan samping di lereng yang curam. Rentangkan birai samping ketika barang yang dimuat ringan.**
10. **Ketika merentangkan birai depan dan samping, jangan rentangkan melebihi batas perentangan. Pastikan untuk merentangkan birai samping kanan dan kiri dengan panjang yang sama, dan muat barang secara merata.**
11. **Lakukan bongkar muat barang di tanah yang datar. Jangan pernah memuat atau menurunkan barang di lereng.**
12. **Ketika mengangkat dan memiringkan keranjang atau bak, pegang pegangan dan rangka dengan kuat, dan bekerjalah dengan postur yang stabil.**

Pengangkutan mesin

1. **Gunakan rel tangga yang panjangnya minimal 4 kali tinggi bak truk, dengan perlengkapan yang sesuai untuk bak, dengan permukaan yang tidak licin dan lebar yang cukup, serta mampu menahan beban mesin dan operator. Baca buku panduan dari rel tangga dengan hati-hati sebelum digunakan.**
2. **Sebelum memuat mesin, keluarkan semua barang dari mesin dan singkirkan lumpur dan kotoran lainnya dari ban. Pasang rel tangga di permukaan yang datar dan stabil.**
3. **Sebelum memuat atau menurunkan mesin, pastikan tidak ada orang di sekitar mesin dan rel tangga. Muat atau turunkan mesin dengan kecepatan rendah, berhati-hatilah agar mesin tidak jatuh dari rel tangga, dan jangan sampai kepala Anda terbentur langit-langit truk. Gunakan perhatian yang ekstrem saat memuat atau menurunkan mesin mundur.**
4. **Saat mengangkut mesin, kunci tuas rem, matikan daya, keluarkan baterai dan kunci pengaman, dan kencangkan mesin dengan aman.**

Perawatan dan penyimpanan

1. **Sebelum menyimpan atau mencoba melakukan pemeriksaan atau perawatan, selalu pastikan untuk menghentikan mesin di tanah yang datar dan kunci tuas rem, dan matikan mesin, serta lepaskan kunci pengaman dan kartrid baterai.**
2. **Jangan meninggalkan mesin tanpa pengawasan di luar saat hujan.**

3. **Ketika menyimpan mesin, hindari terkena cahaya matahari dan hujan langsung, dan simpan di tempat yang jauh dari panas atau lembap.**
4. **Mesin ini dilengkapi dengan unit hidrolik di bagian bawah unit penurunan untuk memiringkan unit penurunan secara otomatis. Jangan memodifikasi unit hidrolik, atau jangan melonggarkan baut pemasangan unit atau sekrup penyetelan katup pelepas. Ini sangat berbahaya karena dapat menyebabkan kecelakaan atau malfungsi.**

Penggunaan dan pemeliharaan mesin bertenaga baterai

1. **Isi ulang baterai hanya dengan pengisi daya yang ditentukan oleh pabrikan.** Pengisi daya yang cocok untuk satu jenis paket baterai dapat menimbulkan risiko kebakaran ketika digunakan untuk paket baterai yang lain.
2. **Gunakan mesin listrik hanya dengan paket baterai yang telah ditentukan secara khusus.** Penggunaan paket baterai lain dapat menimbulkan risiko cedera dan kebakaran.
3. **Ketika paket baterai tidak digunakan, jauhkan dari benda logam lain, seperti penjepit kertas, uang logam, kunci, paku, sekrup atau benda logam kecil lainnya, yang dapat menghubungkan satu terminal ke terminal lain.** Hubungan singkat terminal baterai dapat menyebabkan luka bakar atau kebakaran.
4. **Pemakaian yang salah, dapat menyebabkan keluarnya cairan dari baterai; hindari kontak. Jika terjadi kontak secara tidak sengaja, bilas dengan air. Jika cairan mengenai mata, cari bantuan medis.** Cairan yang keluar dari baterai bisa menyebabkan iritasi atau luka bakar.
5. **Jangan menggunakan paket baterai atau mesin yang sudah rusak atau telah diubah.** Baterai yang rusak atau telah diubah dapat menyebabkan hal-hal yang tidak dapat diprediksi yang dapat menyebabkan kebakaran, ledakan atau risiko cedera.
6. **Jangan membiarkan paket baterai atau mesin dekat dengan api atau suhu yang berlebihan.** Paparan api atau suhu di atas 130 °C dapat menyebabkan ledakan.
7. **Ikuti semua petunjuk pengisian daya dan jangan mengisi daya paket baterai atau mesin di luar rentang suhu yang ditentukan di panduan.** Mengisi daya secara tidak tepat atau pada suhu di luar rentang yang ditentukan dapat merusak baterai dan meningkatkan risiko kebakaran.

Keselamatan listrik dan baterai

1. **Jangan buang baterai ke nyala api.** Sel baterai dapat meledak. Periksa kode setempat untuk petunjuk pembuangan khusus yang memungkinkan.
2. **Jangan buka atau bongkar baterai.** Elektrolit yang terlepas bersifat korosif dan dapat melukai mata atau kulit. Zat tersebut dapat beracun jika tertelan.
3. **Jangan mengisi daya baterai saat hujan, atau di lokasi yang basah.**

4. Jangan mengisi daya baterai di luar ruangan.
5. Jangan memegang pengisi daya, termasuk steker pengisi daya, dan terminal pengisi daya dengan tangan basah.
6. Jangan ganti baterai dalam kondisi hujan.
7. Jangan biarkan terminal baterai terkena basah seperti air, atau baterai terendam. Jangan tinggalkan baterai saat hujan, atau mengisi dayanya, menggunakan, atau menyimpan baterai di tempat yang lembap atau basah. Jika terminal basah atau cairan masuk ke dalam baterai, mungkin dapat terjadi hubung singkat dan terdapat risiko kelebihan panas, terbakar, atau meledak.
8. Setelah melepas baterai dari mesin atau pengisi daya, pastikan Anda memasang penutup ke baterai dan simpan di tempat kering.
9. Jangan ganti baterai dengan tangan basah.
10. Hindari lingkungan yang berbahaya. Jangan gunakan mesin di lokasi yang lembap dan basah, atau membiarkannya terkena hujan. Air yang masuk ke dalam mesin akan meningkatkan risiko sengatan listrik.
11. Jika kartrid baterai basah, keringkan air di dalamnya kemudian usap dengan kain kering. Biarkan kartrid baterai benar-benar kering di tempat kering sebelum digunakan.
5. Jangan menghubungkan terminal kartrid baterai:
 - (1) Jangan menyentuh terminal dengan bahan penghantar listrik apa pun.
 - (2) Hindari menyimpan kartrid baterai pada wadah yang berisi benda logam lain seperti paku, uang logam, dsb.
 - (3) Jangan membiarkan baterai terkena air atau kehujanan.

Hubungan singkat baterai dapat menyebabkan aliran arus listrik yang besar, panas berlebih, kemungkinan mengalami luka bakar dan bahkan kerusakan pada baterai.
6. Jangan menyimpan dan menggunakan mesin dan kartrid baterai pada lokasi dengan suhu yang bisa mencapai atau melebihi 50 °C (122 °F).
7. Jangan membuang kartrid baterai di tempat pembakaran sampah walaupun benar-benar rusak atau tidak bisa digunakan sama sekali. Kartrid baterai bisa meledak jika terbakar.
8. Jangan memaku, memotong, menghancurkan, melempar, menjatuhkan kartrid baterai, atau memukulkan benda keras ke kartrid baterai. Tindakan tersebut dapat menimbulkan api, panas berlebih, atau ledakan.
9. Jangan menggunakan baterai yang rusak.
10. Baterai litium-ion yang disertakan sesuai dengan persyaratan Perundangan Makanan Berbahaya.

SIMPAN PETUNJUK INI.

⚠️PERINGATAN: JANGAN biarkan kenyamanan atau terbiasanya Anda dengan produk (karena penggunaan berulang) mengurangi kepatuhan yang ketat terhadap aturan keselamatan untuk produk yang terkait. **PENYALAHGUNAAN** atau kelalaian mematuhi kaidah keselamatan yang tertera dalam petunjuk ini dapat menyebabkan cedera badan serius.

Petunjuk keselamatan penting untuk kartrid baterai

1. Sebelum menggunakan kartrid baterai, bacalah semua petunjuk dan penandaan pada (1) pengisi daya baterai, (2) baterai, dan (3) produk yang menggunakan baterai.
2. Jangan membongkar atau memodifikasi kartrid baterai. Tindakan tersebut dapat menimbulkan api, panas berlebih, atau ledakan.
3. Jika waktu beroperasinya menjadi sangat singkat, segera hentikan penggunaan. Hal tersebut dapat menimbulkan risiko panas berlebih, kemungkinan mengalami luka bakar atau bahkan terjadi ledakan.
4. Jika elektrolit mengenai mata Anda, basuh dengan air bersih dan segera cari pertolongan medis. Hal tersebut dapat mengakibatkan hilangnya kemampuan penglihatan Anda.
11. Ketika membuang kartrid baterai, lepaskan dari mesin dan buang ke tempat yang aman. Patuhi peraturan setempat yang berkaitan dengan pembuangan baterai.
12. Gunakan baterai hanya dengan produk yang ditentukan oleh Makita. Memasang baterai pada produk yang tidak sesuai dapat menyebabkan kebakaran, kelebihan panas, ledakan, atau kebocoran elektrolit.
13. Jika mesin tidak digunakan dalam jangka waktu yang lama, baterai harus dilepas dari mesin.
14. Selama dan setelah digunakan, kartrid baterai mungkin menyimpan panas yang dapat menyebabkan luka bakar atau luka bakar suhu rendah. Perhatikan cara memegang kartrid baterai yang masih panas.
15. Jangan langsung menyentuh terminal mesin setelah digunakan karena suhunya mungkin cukup panas untuk menyebabkan luka bakar.

16. **Jangan biarkan serpihan, debu, atau tanah menempel di terminal, lubang, dan alur kartrid baterai.** Hal tersebut dapat menyebabkan pemanasan, kebakaran, ledakan, dan kegagalan fungsi mesin atau kartrid baterai, yang mengakibatkan luka bakar atau cedera diri.
17. **Kecuali jika mesin mendukung penggunaan di dekat saluran listrik bertegangan tinggi, jangan gunakan kartrid baterai di dekat saluran listrik bertegangan tinggi.** Hal tersebut dapat mengakibatkan kegagalan fungsi atau kerusakan mesin maupun kartrid baterai.
18. **Jauhkan baterai dari jangkauan anak-anak.**

SIMPAN PETUNJUK INI.

⚠PERHATIAN: Gunakan baterai asli Makita. Penggunaan baterai Makita yang tidak asli, atau baterai yang sudah diubah, akan mengakibatkan baterai mudah terbakar, cedera dan kerusakan. Akan menghilangkan garansi Makita pada pengisi daya dan alat Makita.

Tip untuk menjaga agar umur pemakaian baterai maksimum

1. **Isi ulang kartrid baterai sebelum habis sama sekali. Selalu hentikan penggunaan mesin dan ganti kartrid baterai jika Anda melihat bahwa mesin kurang tenaga.**
2. **Jangan pernah mengisi ulang kartrid baterai yang sudah diisi penuh. Pengisian ulang yang berlebih memperpendek umur pemakaian baterai.**
3. **Isi ulang kartrid baterai pada suhu ruangan 10 °C - 40 °C. Biarkan kartrid baterai yang panas menjadi dingin terlebih dahulu sebelum diisi ulang.**
4. **Saat kartrid baterai tidak digunakan, lepaskan dari mesin atau pengisi daya.**
5. **Isi ulang daya kartrid baterai jika Anda tidak menggunakannya untuk jangka waktu yang lama (lebih dari enam bulan).**

DESKRIPSI BAGIAN-BAGIAN MESIN

Dengan bak terpasang

► Gbr.1

1	Sakelar miring	2	Panel kontrol	3	Tombol suara alarm	4	Pelatak sakelar
5	Lampu belakang	6	Pegangan	7	Kotak baterai	8	Tuas rem
9	Roda belakang	10	Kunci roda belakang	11	Tuas kunci	12	Unit penurunan
13	Roda depan	14	Lampu depan	15	Bak	-	-

Dengan keranjang terpasang

► Gbr.2

1	Sakelar miring	2	Panel kontrol	3	Tombol suara alarm	4	Pelatak sakelar
5	Lampu belakang	6	Pegangan	7	Kotak baterai	8	Tuas rem
9	Roda belakang	10	Kunci roda belakang	11	Tuas kunci	12	Roda depan
13	Lampu depan	14	Keranjang	-	-	-	-

PERAKITAN

⚠PERHATIAN: Selalu pastikan bahwa mesin dimatikan dan kartrid baterai dilepas sebelum melakukan pekerjaan apa pun pada mesin.

Sebelum memasang atau melepas keranjang atau bak, pastikan untuk mengunci tuas rem. Untuk mengunci tuas rem, tarik dan tahan tuas rem, kemudian tarik tuas pengunci, dan kemudian lepaskan tuas rem sambil menarik tuas kunci.

► **Gbr.3:** 1. Tuas rem 2. Tuas kunci

Memasang atau melepas bak

Memasang bak

1. Keluarkan bak, penopang, dan pipa depan dari kotak.

► **Gbr.4:** 1. Bak 2. Penopang 3. Pipa depan

2. Masukkan pipa depan di antara rangka atas dan rangka bawah unit penurunan.

► **Gbr.5:** 1. Pipa depan

3. Tempatkan penopang pada unit penurunan, dan kemudian kencangkan secara sementara baut dengan pipa depan bersama-sama. Pasang penopang lainnya ke unit penurunan dengan cara yang sama.

► **Gbr.6:** 1. Penopang 2. Baut

- Tempatkan bak pada pipa depan dan penopang kiri dan kanan.

Tempatkan cincin penutup karet pada lubang bak dan masukkan baut dari atas. Pasang cincin penutup datar dan cincin penutup pegas secara berurutan ke baut, dan kemudian kencangkan mur dari bawah. Kencangkan sisa baut dan mur dengan cara yang sama.

- **Gbr.7:** 1. Baut 2. Cincin penutup karet 3. Cincin penutup datar 4. Cincin penutup pegas 5. Mur

- Kencangkan 4 baut yang dikencangkan secara sementara dalam langkah 3.

Melepas bak

Untuk melepas bak, lakukan langkah seperti prosedur pemasangan dengan urutan terbalik.

Memasang atau melepas keranjang

Pilihan aksesoris

Memasang keranjang

- Keluarkan keranjang dari kotak, dan pasang rel samping dan rel depan ke rangka dudukan.
► **Gbr.8**
- Kencangkan 6 mur sayap bersama dengan pegas dan cincin penutup untuk memasang rel.
► **Gbr.9:** 1. Mur sayap 2. Pegas 3. Cincin penutup
- Tempatkan keranjang di unit penurunan.

Masukkan baut dari atas. Pasang cincin penutup datar dan cincin penutup pegas secara berurutan ke baut, dan kemudian kencangkan mur dari bawah. Kencangkan sisa baut dan mur dengan cara yang sama.

- **Gbr.10:** 1. Baut 2. Cincin penutup datar 3. Cincin penutup pegas 4. Mur

Melepas keranjang

Untuk melepas keranjang, lakukan langkah seperti prosedur pemasangan dengan urutan terbalik.

DESKRIPSI FUNGSI

PERHATIAN: Selalu pastikan bahwa mesin sudah dimatikan dan kartrid baterai dilepas sebelum menyatel atau memeriksa fungsi mesin.

Memasang atau melepas baterai

PERHATIAN: Selalu matikan mesin dan kunci tuas rem sebelum memasang atau melepas kartrid baterai.

PERHATIAN: Selalu pasang kartrid baterai sepenuhnya sampai indikator berwarna merah tidak terlihat. Jika tidak, kartrid baterai dapat terlepas dari mesin secara tidak sengaja, menyebabkan cedera pada Anda atau orang di sekitar Anda.

PERHATIAN: Jangan memasang kartrid baterai secara paksa. Jika kartrid tidak dapat didorong masuk dengan mudah, berarti cara pemasangannya salah.

PERHATIAN: Jangan menggunakan kartrid baterai suhu tinggi. Ketika kartrid baterai bersuhu tinggi digunakan, mesin berhenti secara otomatis sebelum suara alarm pendek berbunyi, dan dapat menyebabkan cedera.

PERHATIAN: Berhati-hatilah agar jari Anda tidak terjepit saat membuka atau menutup penutup baterai.

PEMBERITAHUAN: Pastikan Anda telah mengunci penutup baterai sebelum menggunakan mesin. Jika tidak, kartrid baterai mungkin saja rusak akibat lumpur, kotoran, atau air.

Memasang kartrid baterai

- Tarik tuas kunci, dan kemudian buka penutup kotak baterai.
► **Gbr.11:** 1. Tutup 2. Tuas kunci
- Sesuaikan lidah pada kartrid baterai dengan celah pada kotak baterai, kemudian dorong kartrid hingga terpasang di tempatnya dan berbunyi klik pelan.
► **Gbr.12:** 1. Kartrid baterai
- Masukkan kunci pengaman sedalam mungkin ke tempat yang ditunjukkan dalam gambar, dan putar searah jarum jam.
► **Gbr.13:** 1. Kunci pengaman

CATATAN: Untuk memutar kunci pengaman, masukkan kunci pengaman sepenuhnya.

- Tutup penutup kotak baterai.
► **Gbr.14:** 1. Tutup

Melepas kartrid baterai

- Tarik tuas kunci, dan kemudian buka penutup kotak baterai.
- Tarik kartrid baterai dari kotak baterai sambil menggeser tombol di bagian depan kartrid.
► **Gbr.15:** 1. Tombol
- Putar kunci pengaman berlawanan arah jarum jam, dan tarik keluar.
- Tutup penutup kotak baterai.

Sistem perlindungan mesin / baterai

Mesin ini dilengkapi dengan sistem perlindungan mesin/baterai. Sistem ini memutuskan aliran daya ke motor secara otomatis untuk memperpanjang umur pakai mesin dan baterai. Mesin akan berhenti secara otomatis saat pengoperasian jika mesin atau kartrid baterai berada dalam salah satu kondisi berikut ini. Suara alarm pendek dan suara alarm panjang berbunyi sebelum mesin berhenti secara otomatis. Indikator baterai dan lampu pada panel kontrol berkedip saat suara alarm berbunyi.

CATATAN: Untuk menghentikan suara alarm, lepas pelatuk sakelar dan tarik tuas rem.

Perlindungan kelebihan beban

Jika mesin/baterai digunakan dengan cara yang menjadikan baterai mengeluarkan arus tinggi yang berlebihan, mesin akan berhenti secara otomatis dan lampu daya utama berkedip hijau. Dalam situasi ini, matikan mesin dan hentikan pekerjaan yang menyebabkan mesin mengalami kelebihan beban seperti mengurangi barang yang dimuat. Kemudian, nyalakan mesin untuk kembali melanjutkan pekerjaan.

Perlindungan panas berlebih

Apabila mesin menjadi terlalu panas, mesin akan berhenti secara otomatis dan lampu daya utama akan berkedip merah. Dalam keadaan ini, tunggu hingga mesin dan baterai mendingin sebelum dinyalakan kembali.

Perlindungan pengisian daya berlebih

Apabila kapasitas baterai tidak mencukupi, lampu daya utama dan indikator baterai yang berkaitan akan berkedip merah. Jika hal ini terjadi, ganti kartrid baterai, atau ganti kartrid baterai dengan kartrid baterai yang terisi penuh, atau keluarkan kartrid baterai dari mesin dan isi dayanya.

CATATAN: Lampu daya utama berkedip merah saat baterai terlalu panas.

Perlindungan terhadap penyebab lain

PEMBERITAHUAN: Lampu daya utama berkedip hijau dan merah secara bergantian ketika terjadi ketidaknormalan pada mesin. Jika hal ini terjadi, lihat bagian untuk pemecahan masalah.

Sistem perlindungan juga dirancang untuk penyebab lain yang dapat merusak mesin dan memungkinkan mesin untuk berhenti secara otomatis. Lakukan semua langkah berikut ini untuk mengatasi penyebabnya, saat mesin dihentikan sementara atau berhenti beroperasi.

1. Matikan mesin, dan kemudian hidupkan kembali untuk memulai ulang.
2. Isi baterai atau ganti dengan baterai yang sudah diisi ulang.
3. Biarkan mesin dan baterai menjadi dingin.

PEMBERITAHUAN: Jika tidak ditemukan perbaikan atau mesin berhenti karena penyebab yang tidak dijelaskan di atas, lihat bagian untuk pemecahan masalah.

Mengindikasikan kapasitas baterai yang tersisa

PERHATIAN: Sebelum memeriksa kapasitas baterai yang tersisa atau beralih antar-kartrid baterai, pastikan bahwa mesin dihentikan.

PERHATIAN: Ketika kapasitas baterai melemah, suara alarm pendek berbunyi. Jika hal ini terjadi, kunci tuas rem, dan kemudian beralihlah ke kartrid baterai yang terisi atau isi daya kartrid baterai. Jika Anda terus mengoperasikan mesin pada kapasitas baterai rendah dan sisa kapasitas baterai habis, suara alarm panjang akan terdengar dan mesin berhenti secara otomatis dan ini dapat menyebabkan kecelakaan atau cedera.

PERHATIAN: Jika suara alarm berbunyi saat beroperasi di lereng atau mesin berhenti secara otomatis di lereng, pindahkan mesin ke tempat yang aman, kunci tuas rem, dan kemudian beralihlah ke kartrid baterai yang terisi atau isi daya kartrid baterai.

PERHATIAN: Jika muatannya besar dan terdengar suara alarm saat beroperasi di lereng, kunci tuas rem dan perhatikan keselamatan dan beralihlah ke kartrid baterai yang terisi. Pindahkan mesin ke tempat yang aman dan kunci tuas rem. Kurangi muatan sebelum mengoperasikan mesin kembali. Untuk detail, baca bagian untuk pemecahan masalah.

Memeriksa tingkat baterai di kotak baterai

► **Gbr.16:** 1. Indikator baterai 2. Tombol pemeriksaan

Tekan tombol pemeriksaan untuk melihat kapasitas baterai yang tersisa. Indikator baterai berhubungan dengan setiap baterai.

Status indikator baterai			Kapasitas baterai yang tersisa	
Menyala	Berkedip	Mati		
				50% - 100%
				20% - 50%
				0% - 20%
				Kosong
			Baterai tidak terpasang	

CATATAN: Jika Anda tetap menarik pelatuk sakelar meski terdengar suara alarm pendek, mesin akan berhenti secara otomatis. Setelah mesin berhenti secara otomatis, suara alarm berlanjut dan rem pendukung diaktifkan. Untuk menghentikan suara alarm dan melepas rem pendukung, lepas pelatuk sakelar dan tarik tuas rem. Jangan mendorong mesin secara paksa tanpa melepas rem pendukung.

CATATAN: Anda dapat memeriksa kapasitas baterai yang tersisa meski kunci pengaman tidak terpasang.

CATATAN: Indikator baterai untuk kapasitas baterai yang tersisa hanya sebagai referensi. Kapasitas baterai yang sebenarnya dapat bervariasi tergantung pada kondisi penggunaan.

Memeriksa tingkat baterai di kartrid baterai

Hanya untuk kartrid baterai dengan indikator

Tekan tombol pemeriksaan pada kartrid baterai untuk melihat kapasitas baterai yang tersisa. Lampu indikator menyala selama beberapa detik.

► **Gbr.17:** 1. Lampu indikator 2. Tombol pemeriksaan

Lampu indikator			Kapasitas yang tersisa	
Menyala	Mati	Berkedip		
				75% hingga 100%
				50% hingga 75%
				25% hingga 50%
				0% hingga 25%
			Isi ulang baterai.	
			Baterai mungkin sudah rusak.	

CATATAN: Tergantung kondisi penggunaan dan suhu lingkungannya, penunjukkan mungkin saja sedikit berbeda dari kapasitas sebenarnya.

CATATAN: Lampu indikator pertama (ujung kiri) akan berkedip ketika sistem perlindungan mesin bekerja.

Beralih antar kartrid baterai

► **Gbr.18:** 1. Sakelar pemilih baterai

Mesin menggunakan 2 kartrid baterai untuk pengoperasian sekaligus. Hingga 4 kartrid baterai dapat dipasang ke mesin. Sebelum mengoperasikan mesin, pilih kartrid baterai yang akan digunakan untuk pengoperasian dengan memutar angka pada sakelar pemilih baterai.

PEMBERITAHUAN: Jika kartrid baterai dalam kondisi berikut ini, mesin tidak akan bekerja meskipun Anda mengganti baterai dengan sakelar pemilih baterai.

- Kapasitas yang tersisa dari setidaknya salah satu kartrid baterai adalah kosong.
- Setidaknya salah satu kartrid baterai terlalu panas.

Untuk kasus ini, lepaskan kartrid baterai yang kosong atau kelebihan panas, atau ganti baterai dengan yang sudah terisi dayanya.

CATATAN: Jika hanya 2 kartrid baterai yang dipasang ke mesin, pastikan untuk memilih kartrid baterai yang terpasang dengan sakelar pemilih baterai.

Panel kontrol

⚠️ PERHATIAN: Selalu kunci tuas rem dan matikan mesin bila tidak digunakan.

Tombol daya

► **Gbr.19:** 1. Lampu daya utama 2. Tombol daya

Untuk menyalakan mesin, kunci tuas rem, lalu tekan tombol daya tanpa menarik pelatuk sakelar. Lampu daya utama menyala hijau. Untuk mematikan mesin, lepaskan pelatuk sakelar dan kunci tuas rem, lalu tekan tombol daya.

CATATAN: Pengujian kelistrikan dilakukan saat pertama kali mesin digerakkan setelah mesin dihidupkan. Jika masalah terdeteksi, lampu daya utama berkedip merah atau hijau secara bergantian. Jika hal ini terjadi, lihat bagian untuk pemecahan masalah.

CATATAN: Jika lampu daya utama menyala merah atau berkedip merah atau hijau, merujuklah pada instruksi untuk sistem perlindungan mesin/baterai atau bagian untuk pemecahan masalah.

CATATAN: Mesin ini menggunakan fungsi pemutus daya otomatis. Untuk menghindari penyalaan yang tidak disengaja, mesin akan secara otomatis mati ketika mesin dihentikan dan tidak dioperasikan selama beberapa saat setelah mesin dinyalakan.

CATATAN: Jika Anda menekan tombol daya sembari menarik pelatuk sakelar, mesin tidak akan menyala. Lepaskan pelatuk sakelar, dan kemudian tekan tombol daya.

Tombol kecepatan dan arah maju/arah mundur

► **Gbr.20:** 1. Tombol arah maju/arah mundur
2. Indikator kecepatan 3. Tombol kecepatan

Tekan tombol arah maju/arah mundur untuk beralih antara mode arah maju dan mode arah mundur. Tekan tombol kecepatan untuk beralih antara kecepatan rendah, kecepatan sedang, dan kecepatan tinggi. Ketika dinyalakan, mesin akan diatur pada mode arah maju dan kecepatan rendah.

CATATAN: Tombol arah maju/arah mundur tidak dapat difungsikan sambil menarik pelatuk sakelar.

CATATAN: Suara alarm pendek berbunyi ketika mengoperasikan mesin dalam arah mundur.

CATATAN: Tombol kecepatan tidak dapat difungsikan saat mengoperasikan mesin dalam arah mundur.

CATATAN: Jika mesin mendeteksi masalah, indikator kecepatan akan berkedip secara bergantian. Jika hal ini terjadi, lihat bagian untuk pemecahan masalah.

Tombol suara alarm

Ketika Anda menekan tombol suara alarm, suara alarm dibunyikan.

► **Gbr.21:** 1. Tombol suara alarm

CATATAN: Tombol suara alarm tersedia ketika mesin dinyalakan.

CATATAN: Tombol suara alarm tersedia bahkan ketika kunci pengaman tidak dimasukkan dalam kotak baterai.

Menyalakan lampu

Tekan tombol lampu pada kotak baterai untuk menyalakan lampu depan dan lampu belakang. Untuk mematikan lampu, tekan kembali tombol lampu.

► **Gbr.22:** 1. Tombol lampu 2. Lampu depan

► **Gbr.23:** 1. Lampu belakang

CATATAN: Lampu akan mati jika mesin tidak dioperasikan selama periode tertentu.

CATATAN: Lampu padam jika daya dimatikan.

CATATAN: Anda dapat menyalakan lampu meski kunci pengaman tidak terpasang.

Pelatuk sakelar dan tuas rem

⚠️ PERHATIAN: Sebelum memasang kartrid baterai pada mesin, pastikan pelatuk sakelar berfungsi dengan baik dan kembali ke posisi "MATI" saat dilepas.

Untuk menjalankan mesin, tarik pelatuk sakelarnya. Dengan menggunakan pelatuk sakelar, kecepatan dapat disetel di dalam rentang kecepatan yang diatur. Untuk menghentikan mesin, lepas pelatuk sakelar dan tarik tuas rem.

Untuk mengunci tuas rem, tarik dan tahan tuas rem, kemudian tarik tuas pengunci, dan kemudian lepaskan tuas rem sambil menarik tuas kunci. Untuk melepaskan kunci, tarik tuas rem.

► **Gbr.24:** 1. Pelatuk sakelar

► **Gbr.25:** 1. Tuas rem 2. Tuas kunci

Sakelar miring

⚠️ PERHATIAN: Pastikan untuk menahan tuas rem saat Anda mengoperasikan sakelar miring.

⚠️ PERHATIAN: Sebelum menggunakan sakelar miring, pastikan kapasitas baterai yang tersisa tidak rendah. Jika kapasitas baterai rendah, kunci tuas rem, lalu ganti kartrid baterai ke yang terisi daya atau ganti kartrid baterai dengan yang terisi daya.

► **Gbr.26:** 1. Sakelar miring

Anda dapat memiringkan bak atau keranjang menggunakan sakelar miring. Untuk memiringkan bak atau keranjang ke depan, tekan sisi atas sakelar miring sambil menahan tuas rem. Untuk mengembalikan bak atau keranjang, tekan sisi bawah sakelar miring sambil menahan tuas rem.

CATATAN: Bunyi bip terdengar saat bak atau keranjang bergerak.

Menyetel lebar keranjang

PEMBERITAHUAN: Pastikan rel samping dan rel depan terpasang erat setelah mengencangkan mur sayap.

Kendurkan 6 mur sayap, dan kemudian geser rel samping dan rel depan. Kencangkan mur sayap untuk mengencangkan rel samping dan rel depan.

► **Gbr.27:** 1. Mur sayap 2. Birai

PERHATIAN: Jangan menggeser birai melebihi tanda batas.

► **Gbr.28**

Menyetel tinggi pegangan

PEMBERITAHUAN: Atur pegangan kanan dan kiri pada ketinggian yang sama.

Tinggi pegangan dapat disetel dalam 7 tingkat. Untuk menyetel tinggi pegangan, kendurkan 2 kenop, kemudian setel tinggi pegangan dengan menyejajarkan lubang pada pegangan dengan tonjolan pada rangka belakang, dan kemudian kencangkan 2 kenop dengan kuat. Setel ketinggian pegangan lainnya dengan cara yang sama.

► **Gbr.29:** 1. Kenop

Kunci roda belakang

Anda dapat memperbaiki arah roda belakang menggunakan kunci roda belakang.

1. Gerakkan mesin sedikit ke depan sehingga roda belakang menghadap ke arah yang ditunjukkan dalam gambar.

► **Gbr.30:** 1. Roda belakang

2. Putar kunci roda belakang menuju belakang.

► **Gbr.31:** 1. Kunci roda belakang

3. Kunci roda belakang lainnya dengan cara yang sama.

4. Gerakkan roda belakang maju mundur atau ke kiri dan ke kanan sedikit untuk memastikan sudah terkunci.

Untuk melepaskan kunci roda belakang, putar kunci roda belakang 90° sebagaimana ditunjukkan dalam gambar.

► **Gbr.32:** 1. Kunci roda belakang

CATATAN: Roda belakang dapat dipasang dalam 4 arah yang berbeda sebagaimana ditunjukkan dalam gambar.

► **Gbr.33**

Menggunakan waterpas

Menggunakan waterpas, Anda dapat memeriksa apakah tanahnya rata.

► **Gbr.34:** 1. Waterpas

PENGUNAAN

PERHATIAN: Pastikan untuk mengunci tuas rem sebelum memasukkan atau mengeluarkan benda.

Mengoperasikan mesin

PEMBERITAHUAN: Pastikan untuk memasang kunci pengaman sebelum pengoperasian. Jika kunci pengaman tidak terpasang, suara alarm berbunyi ketika Anda menarik pelatuk sakelar. Suara alarm akan berhenti dengan melepas pelatuk sakelar dan menarik tuas rem.

PEMBERITAHUAN: Lakukan pemeriksaan sebelum mengoperasikan mesin dengan mengacu pada bagian pemeliharaan.

1. Pastikan bahwa tuas kunci terkunci. Pasang kartrid baterai, dan pasang kunci pengaman dan putar searah jarum jam.

2. Pilih kartrid baterai dengan sakelar pemilih baterai.

3. Tekan tombol daya pada panel kontrol untuk menyalakan.

► **Gbr.35:** 1. Tombol daya

4. Tarik tuas rem untuk melepas kunci tuas rem.

► **Gbr.36:** 1. Tuas rem

5. Pegang pegangan kuat-kuat dengan kedua tangan.

► **Gbr.37**

6. Tarik pelatuk sakelar.

► **Gbr.38:** 1. Pelatuk sakelar

Memuat barang

PERHATIAN: Sebelum memuat barang ke mesin, pastikan bahwa mesin dimatikan dan tuas rem dikunci.

PERHATIAN: Sebelum memuat barang ke mesin, pastikan bahwa unit penurunan dikunci.

PERHATIAN: Pastikan barang dimuat tepat ke dalam keranjang atau bak. Jika barang mencuat keluar dari keranjang atau bak, barang dapat jatuh atau ambruk jika mengenai penghalang.

► **Gbr.39**

PERHATIAN: Pastikan tinggi barang yang dimuat di bawah tinggi mata Anda. Jika muatan terlalu tinggi, akan berbahaya karena pandangan terhalang. Selain itu, terdapat risiko terguling dan timbul cedera karena beban berkemungkinan tidak seimbang.

► **Gbr.40**

PERHATIAN: Jangan memuat benda melebihi ketinggian bak. Memuat benda melebihi ketinggian bak dapat menyebabkan muatan jatuh atau runtuh.

Ketika memuat barang ke keranjang, kencangkan barang dengan tali dan ikat dengan kait tali pada keranjang.

► **Gbr.41:** 1. Kait tali

Menurunkan barang

⚠PERHATIAN: Saat mengangkat atau mengembalikan keranjang atau bak, jangan sekali-kali memasukkan atau meletakkan bagian tubuh Anda di antara unit penurunan dan keranjang atau ember atau di bawah unit penurunan. Melakukannya dapat mengakibatkan cedera atau luka bakar.

⚠PERHATIAN: Setelah menurunkan muatan, pastikan untuk mengunci unit penurunan dengan mengembalikan unit penurunan ke posisi semula.

⚠PERHATIAN: Sebelum mengangkat keranjang atau bak secara manual, pastikan untuk mengunci tuas rem.

⚠PERHATIAN: Angkat keranjang atau bak di tanah yang datar dan stabil. Pengoperasian di tanah yang tidak stabil dapat menyebabkan kecelakaan atau cedera.

⚠PERHATIAN: Jaga muatan pada level minimum. Jika muatan terlalu besar, jangan coba mengangkat keranjang atau bak. Kurangi muatan, dan kemudian angkat keranjang atau bak.

⚠PERHATIAN: Jika muatan diikat dengan tali atau alat lain, lepaskan ikatan muatan sebelum mengangkat unit penurunan.

⚠PERHATIAN: Sebelum mengangkat keranjang atau bak, pastikan tidak ada orang atau penghalang di sekitar mesin.

Anda dapat menurunkan barang dengan mengangkat dan memiringkan keranjang atau bak.

1. Hentikan mesin.
2. Miringkan bak atau keranjang ke depan dengan menekan sisi atas sakelar miring sambil menahan tuas rem.

► **Gbr.42:** 1. Sakelar miring

3. Untuk menurunkan objek yang tertinggal di bak atau keranjang secara manual, ikuti langkah-langkah di bawah ini.

- Kunci tuas rem, lalu berdiri di samping mesin.
- Putar tuas pengunci unit penurunan ke arah depan mesin untuk membuka kunci unit pembuangan.
- Pegang gagang unit penurunan, lalu miringkan bak atau keranjang ke depan untuk membuang benda.
- Kembalikan bak atau keranjang ke unit penurunan.

► **Gbr.43:** 1. Tuas kunci 2. Unit penurunan

⚠PERHATIAN: Pegang gagang unit pembuangan dengan kuat, dan bekerja dalam posisi yang stabil.

PEMBERITAHUAN: Disarankan untuk mengganjal roda depan agar mesin stabil.

4. Kembalikan bak atau keranjang ke posisi semula dengan menekan sisi bawah sakelar miring sambil menahan tuas rem.

PEMBERITAHUAN: Pastikan untuk mengembalikan bak atau keranjang ke posisi semula setelah menurunkan benda. Jika baik atau keranjang tidak dikembalikan seluruhnya dan terkunci, kecepatan perjalanan alat berat dibatasi hingga 0,8 km/jam.

PERAWATAN

⚠PERHATIAN: Selalu pastikan mesin diparkir di tanah yang datar dan tuas rem dikunci sebelum penyimpanan atau melakukan pemeriksaan atau pemeliharaan.

⚠PERHATIAN: Selalu pastikan kunci pengaman dan kartrid baterai telah dilepas dari mesin sebelum penyimpanan atau pemeriksaan atau pemeliharaan.

⚠PERHATIAN: Selalu lepas kunci pengaman saat mesin tidak digunakan. Simpan kunci pengaman di tempat yang aman dari jangkauan anak-anak.

Untuk menjaga KEAMANAN dan KEANDALAN mesin, perbaikan, perawatan atau penyetulan lainnya harus dilakukan oleh Pusat Layanan Resmi atau Pabrik Makita; selalu gunakan suku cadang pengganti buatan Makita.

Pemeriksaan sebelum pengoperasian

Lakukan pemeriksaan berikut sebelum mengoperasikan mesin.

- Periksa kekencangan baut, mur, dan kenop.

► **Gbr.44**

- Periksa bahwa rem berfungsi dengan benar. Jika Anda merasa rem tidak berfungsi dengan baik, lakukan pembersihan rem. Jika tidak ada peningkatan, mintalah kepada Pusat Layanan Resmi Makita untuk memperbaikinya.
- Periksa apakah unit penurunan terkunci saat pegangan unit penurunan ditarik sepenuhnya ke bawah.

► **Gbr.45:** 1. Pegangan

- Periksa apakah ban roda depan dan belakang tidak rusak, dan udara di dalam ban mencukupi.
- Periksa apakah lampu depan, dan lampu belakang bersih. Bersihkan jika perlu.
- Periksa apakah pengikis berada di posisi yang benar. Jika pengikis menghadap ke atas, sesuaikan arah pengikis dengan mengendurkan baut. Ketika mengencangkan baut, jangan menekan pengikis menuju bagian depan mesin.

► **Gbr.46:** 1. Pengikis

Membersihkan mesin

PEMBERITAHUAN: Jangan sekali-kali menggunakan bensin, tiner, alkohol, atau bahan sejenisnya. Penggunaan bahan demikian dapat menyebabkan perubahan warna, perubahan bentuk atau timbulnya retakan.

PEMBERITAHUAN: Jangan gunakan pembersih bertekanan tinggi untuk membersihkan.

PEMBERITAHUAN: Saat membersihkan mesin, pastikan untuk menutup penutup kotak baterai. Jika tidak, air dapat masuk ke dalam kotak baterai, dan menyebabkan malafungsi mesin.

Bersihkan lumpur, kotoran dan semacamnya dari mesin. Bersihkan mesin dengan air mengalir. Setelah dibersihkan, seka mesin dengan kain kering.

Penyimpanan

Kunci tuas rem, dan lepaskan kartrid baterai dan kunci pengaman. Simpan mesin di tempat yang aman jauh dari jangkauan anak-anak.

Isi ulang ban dengan udara

Pastikan bahwa udara dalam ban untuk roda depan dan belakang tidak kurang. Jika udara dalam roda depan kurang, isi ulang dengan udara menggunakan pompa. Tekanan udara adalah sebagai berikut:

- Ban untuk roda depan: 280 kPa (40 PSI)
- Ban untuk roda belakang: 525 kPa (75 PSI)

Roda depan

► Gbr.47

Roda belakang

► Gbr.48

Mengganti ban

▲PERHATIAN: Sebelum mengganti ban, pastikan untuk mengeluarkan semua barang dari mesin.

▲PERHATIAN: Saat mengganti ban, kenakan sarung tangan.

Mengganti ban roda depan

CATATAN: Saat memasang ban abu-abu, pasanglah sedemikian rupa sehingga katup menghadap ke luar.

► Gbr.49

Mengganti ban roda belakang

► Gbr.50

► Gbr.51

PEMECAHAN MASALAH

Sebelum meminta perbaikan, lakukan pemeriksaan mandiri terlebih dahulu. Jika Anda menemukan masalah yang tidak dijelaskan dalam buku petunjuk ini, jangan membongkar mesin. Akan tetapi, hubungi Pusat Servis Resmi Makita, dan selalu gunakan suku cadang pengganti Makita untuk perbaikan.

Keadaan Tidak Normal	Lampu daya utama	Penyebab	Perbaiki
Mesin tidak dapat dinyalakan.	Mati.	Dua kartrid baterai tidak dipasang.	Pasang dua kartrid baterai yang telah terisi daya.
		Masalah baterai (kekurangan tegangan)	Isi ulang daya kartrid baterai. Jika pengisian ulang daya tidak berhasil, gantilah kartrid baterai.
		Sakelar pemilihan baterai tidak dalam posisi yang benar.	Pilih baterai yang benar menggunakan sakelar pemilih baterai.
Mesin tidak menyala.	Lampu berkedip warna merah.	Daya baterai rendah.	Isi ulang daya kartrid baterai. Jika pengisian ulang daya tidak berhasil, gantilah kartrid baterai.
		Setidaknya salah satu baterai kosong.	Keluarkan baterai yang kosong, atau ganti dengan yang terisi daya. Dalam kasus ini, lampu paling kiri dari indikator baterai dari baterai yang sesuai akan berkedip.
	Lampu berkedip warna hijau.	Kunci pengaman tidak dimasukkan.	Pasang kunci pengaman dan putar searah jarum jam.
		Mesin berhenti bekerja karena kelebihan beban.	Kurangi barang yang dimuat.
		Roda depan atau belakang macet atau terkunci.	Hilangkan penyebab macet atau terkunci roda.
	Lampu menyala warna merah.	Mesin berhenti bekerja karena kelebihan panas.	Dinginkan mesin dan baterai.
	Lampu berkedip merah dan hijau secara bergantian.	Kunci pengaman tidak dimasukkan.	Pasang kunci pengaman dan putar searah jarum jam.
		Mesin mendeteksi ketidaknormalan.	Matikan mesin, dan kemudian nyalakan kembali. Terjadi malafungsi mesin. Mintalah kepada Pusat Layanan Resmi Makita untuk memperbaikinya.
	Lampu menyala warna hijau.	Tuas pengubah netral tidak pada posisi semula.	Kunci tuas rem, dan kemudian kembalikan tuas pengubah netral ke posisi semula.
	Mesin berhenti setelah digunakan sebentar.	Lampu berkedip warna merah.	Daya baterai rendah.
Kecepatan perjalanan mesin tidak bertambah.	Lampu menyala warna hijau.	Unit pembuangan tidak dikembalikan sepenuhnya, atau tidak dikunci.	Kembalikan unit penurunan sepenuhnya dan pastikan unit tersebut terkunci.

Pemecahan masalah untuk menghentikan mesin

⚠️ PERINGATAN: Kecuali benar-benar diperlukan, jangan sekali-kali mematikan rem pendukung mesin dengan tuas pengubah netral. Karena rem pendukung mesin dinonaktifkan, mesin dapat bergerak secara tidak sengaja dan menyebabkan kecelakaan atau cedera diri.

⚠️ PERINGATAN: Pastikan untuk mengembalikan tuas pengubah netral ke posisi semula setelah menarik tuas ke luar.

Jika mesin tidak dapat dipindahkan ketika baterai habis atau terjadi malafungsi mesin, Anda dapat memindahkan mesin secara manual dengan menarik tuas pengubah netral ke luar untuk menonaktifkan rem pendukung.

1. Kunci tuas rem.
2. Turunkan semua barang dari mesin.

⚠️ PERHATIAN: Pastikan untuk mengeluarkan semua barang dari mesin. Mesin dapat bergerak secara tidak sengaja jika ada barang tertinggal di mesin.

3. Jika mesin berada di lereng, buka kunci tuas rem, dan arahkan mesin sehingga tuas rem berada di sisi atas lereng dan mesin sejajar dengan lereng. Kunci tuas rem.
▶ **Gbr.52**
4. Pastikan mesin tidak bergerak, dan tarik keluar tuas pengubah netral.
▶ **Gbr.53:** 1. Tuas pengubah netral

5. Buka kunci tuas rem dan pindahkan mesin secara manual ke tempat yang aman. Karena rem pendukung dinonaktifkan, gerakkan mesin dengan hati-hati dengan tuas rem sehingga kecepatan tidak bertambah.
 6. Setelah memindahkan mesin ke tempat yang aman, kunci tuas rem.
 7. Kembalikan tuas pengubah netral pada posisi semula. Pastikan bahwa tuas pengubah netral dikembalikan sepenuhnya sebagaimana ditunjukkan dalam gambar.
- **Gbr.54:** 1. Tuas pengubah netral

AKSESORI PILIHAN

⚠PERHATIAN: Dianjurkan untuk menggunakan aksesori atau perangkat tambahan ini dengan mesin Makita Anda yang ditentukan dalam petunjuk ini. Penggunaan aksesori atau perangkat tambahan lain bisa menyebabkan risiko cedera pada manusia. Hanya gunakan aksesori atau perangkat tambahan yang sesuai dengan tujuan yang telah ditetapkan.

⚠PERHATIAN: Hanya gunakan aksesori atau perangkat tambahan Makita untuk mesin ini. Penggunaan aksesori atau perangkat tambahan lainnya dapat mengakibatkan cedera badan serius.

Jika Anda memerlukan bantuan lebih rinci berkenaan dengan aksesori ini, tanyakan pada Pusat Layanan Makita terdekat.

- Keranjang
- Bak
- Ban depan (hitam)
- Ban depan (abu-abu)
- Ban belakang (abu-abu)
- Baterai dan pengisi daya asli Makita

CATATAN: Beberapa item dalam daftar tersebut mungkin sudah termasuk dalam paket mesin sebagai aksesori standar. Hal tersebut dapat berbeda dari satu negara ke negara lainnya.

SPEKIFIKASI

Model:		DCU602
Dimensi (P x L x T)	Apabila baldi dipasang	1,480 mm x 730 mm x 820 - 1,030 mm
	Apabila pembawa dipasang	1,450 - 1,600 mm x 730 - 1,080 mm x 820 - 1,030 mm
Kelajuan pergerakan	Ke hadapan	5.0 / 3.5 / 1.5 km/h
	Terbalik	1.0 km/h
Kapasiti beban maksimum	Di permukaan rata	300 kg
	Pada cerun (3 ° - 12 °)	180 kg
Kapasiti memanjat maksimum		12°
Radius pemusingan minimum *		1,150 mm
Brek		Brek tangan dan brek sokongan
Tayar	Roda hadapan	Tayar pneumatik
	Roda belakang	Tayar pneumatik
Voltan terkadar		D.C. 36 V
Berat bersih	Apabila baldi dipasang	145 - 147 kg
	Apabila pembawa dipasang	141 - 143 kg
Tahap perlindungan		IPX4

*: Diameter luar apabila berputar dengan roda hadapan sebagai paksi.

- Disebabkan program penyelidikan dan pembangunan kami yang berterusan, spesifikasi yang terkandung di dalam ini adalah tertakluk kepada perubahan tanpa notis.
- Spesifikasi mungkin berbeza mengikut negara.
- Berat mungkin berbeza bergantung kepada pemasangan, termasuk kartrij bateri. Kombinasi paling ringan dan paling berat, mengikut Prosedur EPTA 01/2014, ditunjukkan di dalam jadual.

Kartrij bateri dan pengecas yang boleh digunakan

Kartrij bateri	BL1815N / BL1820B / BL1830B / BL1840B / BL1850B / BL1860B
Pengecas	DC18RC / DC18RD / DC18RE / DC18SD / DC18SE / DC18SF / DC18SH / DC18WC

- Sesetengah kartrij bateri dan pengecas yang disenaraikan di atas mungkin tidak tersedia bergantung pada kawasan kediaman anda.

⚠️ AMARAN: Hanya menggunakan kartrij bateri dan pengecas yang disenaraikan di atas. Penggunaan mana-mana kartrij bateri dan pengecas lain boleh menyebabkan kecederaan dan/atau kebakaran.

⚠️ AMARAN: Jangan sekali-kali menggunakan Pek Kuasa Mudah Alih PDC1200 atau PDC01 bersama produk ini. Menggunakan bersama-sama boleh menyebabkan kecederaan diri atau kerosakan.

Simbol

Berikut menunjukkan simbol-simbol yang boleh digunakan untuk alat ini. Pastikan anda memahami maksudnya sebelum menggunakan.



Baca manual arahan.



Jangan tukar arah di cerun.



Mesin ini tidak boleh digunakan di atas jalan awam.



Sebelum memuatkan atau memunggah objek, kunci brek dan unit pembuangan.



Jangan memuatkan atau memunggah objek di cerun.



Jangan gunakan mesin untuk mengangkut orang.



Jangan buang objek di cerun.
Kunci unit pembuangan selepas pemuangan.



Muatkan objek pada baldi atau pembawa secara sama rata.
Jangan muatkan objek secara tidak seimbang atau hanya di bahagian hadapan.



Bahaya tersepit dan pecah.
Pastikan tangan bersih semasa pengendalian. Jangan masukkan tangan atau bahagian badan anda ke dalam bahagian yang bergerak.



Kapasiti beban maksimum: 300 kg di permukaan rata dan 180 kg di cerun (hingga 12°).



Jangan lihat secara terus ke dalam lampu.



Jangan basuh mesin dengan pucuki bertekanan tinggi.



Jauhkan orang yang melihat daripada mesin semasa pengendalian.



Jangan kendalikan mesin di sekeliling permukaan yang tidak rata.



Jangan kendalikan mesin apabila baldi atau pembawa tidak dikembalikan sepenuhnya.



Tanggalkan tali sebelum membuang objek.



Sentiasa pakai kasut anti gelincir dan perlindungan.



Kunci brek sebelum menarik keluar tuil tukar neutral.



Kunci brek sebelum kembali ke tuil tukar neutral.



Tekanan udara: tayar hadapan 280 kPa dan tayar belakang 525 kPa.



Pastikan bahawa tuil kunci dikunci.



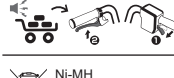
Pusingkan tuil kunci ke arah depan mesin untuk membuka kunci unit pembuangan.



Apabila bunyi bip dikeluarkan, kunci tuil brek.



Apabila anda melepaskan pemacu suis, kunci tuil brek.



Untuk membatalkan bunyi bip, lepaskan pemacu suis dan tarik tuil brek.



Ni-MH
Li-ion

Hanya untuk negara-negara EU
Disebabkan kehadiran komponen berbahaya dalam peralatan, sisa peralatan elektrik dan elektronik, akumulator dan bateri boleh memberi kesan negatif terhadap persekitaran dan kesihatan manusia. Jangan buang alat elektrik dan elektronik atau bateri bersama dengan bahan buangan isi rumah! Mengikut Arahan Eropah mengenai sisa peralatan elektrik dan elektronik dan mengenai akumulator dan bateri dan sisa akumulator dan bateri serta penyesuaian dengan undang-undang negara, sisa peralatan elektrik, bateri dan akumulator hendaklah disimpan secara berasingan dan dihantar ke tempat pengumpulan berasingan untuk sisa perbandaran, beroperasi mengikut peraturan perlindungan persekitaran. Ini ditunjukkan oleh simbol tong sampah beroda yang bersilang pada peralatan.



Aras kuasa bunyi terjamin menurut Arahan Redam Di Luar Kesatuan Eropah.



Aras kuasa bunyi menurut Peraturan Kawalan Redam NSW, Australia

Tujuan penggunaan

Mesin ini bertujuan untuk memuatkan dan membawa objek dengan bantuan berkuasa bateri.

AMARAN KESELAMATAN

Amaran keselamatan umum alat kuasa

AMARAN Baca semua amaran keselamatan, arahan, ilustrasi dan spesifikasi yang disediakan dengan alat kuasa ini. Kegagalan untuk mematuhi semua arahan yang disenaraikan di bawah boleh menyebabkan kejutan elektrik, kebakaran dan/atau kecederaan serius.

Simpan semua amaran dan arahan untuk rujukan masa depan.

Istilah "alat kuasa" dalam amaran merujuk kepada alat kuasa yang menggunakan tenaga elektrik (kabel) atau alat kuasa yang menggunakan bateri (tanpa kord).

Keselamatan kawasan kerja

1. **Pastikan kawasan kerja bersih dan terang.** Kawasan berselerak atau gelap mengundang kemalangan.
2. **Jangan kendalikan alat kuasa dalam keadaan yang mudah meletup, seperti dalam kehadiran cecair, gas atau habuk yang mudah terbakar.** Alat kuasa menghasilkan percikan api yang boleh menyalakan debu atau wasap.
3. **Jauhkan kanak-kanak dan orang ramai semasa mengendalikan alat kuasa.** Gangguan boleh menyebabkan anda hilang kawalan.

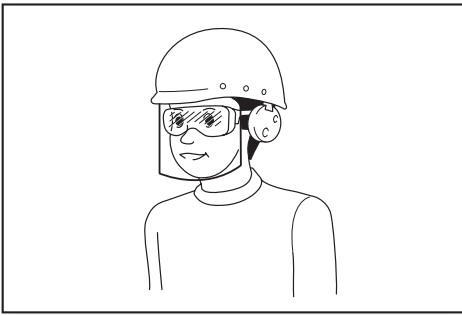
Keselamatan elektrik

1. **Palam alat kuasa mesti sepadan dengan soket. Jangan ubah suai palam dalam apa cara sekalipun. Jangan gunakan sebarang palam penyesuai dengan alat kuasa terbumi.** Palam yang tidak diubah suai dan soket yang sepadan akan mengurangkan risiko kejutan elektrik.
2. **Elakkan sentuhan badan dengan permukaan terbumi, seperti paip, radiator, dapur dan peti sejuk.** Terdapat peningkatan risiko kejutan elektrik jika elektrik terbumi terkena badan anda.
3. **Jangan biarkan alat kuasa terkena hujan atau basah.** Air yang memasuki alat kuasa akan meningkatkan risiko kejutan elektrik.
4. **Jangan salah gunakan kord. Jangan gunakan kord untuk membawa, menarik atau mencabut palam alat kuasa. Jauhkan kord dari haba, minyak, bucu tajam atau bahagian yang bergerak.** Kord yang rosak atau tersimpul meningkatkan risiko kejutan elektrik.
5. **Semasa mengendalikan alat kuasa di luar, gunakan kord sambungan yang bersesuaian untuk kegunaan luar.** Penggunaan kord yang sesuai untuk kegunaan luar mengurangkan risiko kejutan elektrik.
6. **Sekiranya pengendalian alat kuasa di lokasi lembap tidak dapat dielakkan, gunakan bekalan peranti arus sisa (RCD) yang dilindungi.** Penggunaan RCD mengurangkan risiko kejutan elektrik.

7. **Alat kuasa boleh menghasilkan medan elektromagnetik (EMF) yang tidak berbahaya kepada pengguna.** Walau bagaimanapun, pengguna perentak jantung atau peranti perubatan yang serupa harus menghubungi pembuat peranti mereka dan/atau doktor untuk nasihat sebelum mengendalikan alat kuasa ini.

Keselamatan diri

1. **Sentiasa berwaspada, perhatikan apa yang anda lakukan dan guna akal budi semasa mengendalikan alat kuasa. Jangan gunakan alat kuasa semasa anda letih atau di bawah pengaruh dadah, alkohol atau ubat.** Kelekaan seketika semasa mengendalikan alat kuasa boleh menyebabkan kecederaan diri yang serius.
2. **Gunakan peralatan pelindung diri. Sentiasa pakai pelindung mata.** Peralatan pelindung seperti topeng debu, kasut keselamatan tak mudah tergelincir, topi keselamatan atau pelindung pendengaran yang digunakan untuk keadaan yang sesuai akan mengurangkan kecederaan diri.
3. **Elakkan permulaan yang tidak disengajakan. Pastikan suis ditutup sebelum menyambung kepada sumber kuasa dan/atau pek bateri, semasa mengangkat atau membawa alat.** Membawa alat kuasa dengan jari anda pada suis atau menahan alat kuasa dengan suis pada kedudukan hidup mengundang kemalangan.
4. **Alihkan sebarang kunci atau sepana pelaras sebelum menghidupkan alat kuasa.** Sepana atau kunci yang ditinggalkan pada bahagian berputar alat kuasa boleh menyebabkan kecederaan diri.
5. **Jangan lampau jangkau. Jaga pijakan dan keseimbangan yang betul pada setiap masa.** Ini membolehkan kawalan alat kuasa yang lebih baik dalam situasi yang tidak dijangka.
6. **Berpakaian dengan betul. Jangan pakai pakaian yang longgar atau barang kemas. Jauhkan rambut dan pakaian anda dari bahagian yang bergerak.** Pakaian longgar, barang kemas atau rambut yang panjang boleh terperangkap dalam bahagian yang bergerak.
7. **Jika peranti disediakan untuk sambungan kemudahan pengekstrakan dan pengumpulan habuk, pastikan ia disambung dan digunakan dengan betul.** Penggunaan pengumpulan habuk boleh mengurangkan bahaya berkaitan habuk.
8. **Jangan biarkan kebiasaan daripada kekerapan penggunaan alat membuatkan anda berpuas hati dan mengabaikan prinsip keselamatan alat.** Keceuaian boleh menyebabkan kecederaan serius dalam sekelip mata.
9. **Sentiasa pakai gogal pelindung untuk melindungi mata anda daripada kecederaan apabila menggunakan alat kuasa.** Gogal mestilah mematuhi ANSI Z87.1 di AS, EN 166 di Eropah, atau AS/NZS 1336 di Australia/New Zealand. Di Australia/New Zealand, undang-undang mengarahkan untuk memakai pelindung muka bagi melindungi muka anda, juga.



Menjadi tanggungjawab majikan untuk menguatkuasa penggunaan peralatan perlindungan keselamatan yang bersesuaian oleh pengendali alat dan oleh orang lain dalam kawasan bekerja semasa.

Penggunaan dan penjagaan alat kuasa

1. **Jangan gunakan alat kuasa dengan kasar. Gunakan alat kuasa yang betul untuk penggunaan anda.** Alat kuasa yang betul akan melakukan tugas dengan lebih baik dan lebih selamat pada kadar mana ia direka cipta.
2. **Jangan gunakan alat kuasa jika suis tidak berfungsi untuk menghidupkan dan mematikannya.** Alat kuasa yang tidak dapat dikawal dengan suis adalah berbahaya dan mesti dibaiki.
3. **Cabut palam dari sumber kuasa dan/atau keluarkan pek bateri, jika boleh ditanggalkan, dari alat kuasa sebelum membuat sebarang pelarasan, menukar aksesori, atau menyimpan alat kuasa.** Langkah-langkah keselamatan pencegahan sedemikian mengurangkan risiko memulakan alat kuasa secara tidak sengaja.
4. **Simpan alat kuasa yang tidak digunakan jauh dari jangkauan kanak-kanak dan jangan biarkan orang yang tidak biasa dengan alat kuasa atau arahan ini untuk mengendalikan alat kuasa.** Alat kuasa adalah berbahaya di tangan pengguna yang tidak terlatih.
5. **Menyelenggara alat kuasa dan aksesori. Periksa salah jajaran atau ikatan pada bahagian yang bergerak, bahagian yang pecah dan apa-apa keadaan lain yang boleh menjejaskan operasi alat kuasa. Jika rosak,baiki alat kuasa sebelum digunakan.** Kebanyakan kemalangan adalah disebabkan oleh alat kuasa yang tidak dijaga dengan baik.
6. **Pastikan alat pemotong tajam dan bersih.** Alat pemotong yang dijaga dengan betul dengan hujung pemotong yang tajam mempunyai kemungkinan yang rendah untuk terikat dan lebih mudah dikendalikan.
7. **Gunakan alat kuasa, aksesori dan alat bit dan sebagainya mengikut arahan ini dengan mengambil kira keadaan kerja dan kerja yang perlu dilakukan.** Penggunaan alat kuasa untuk operasi yang berbeza dari yang dimaksudkan boleh menyebabkan keadaan berbahaya.

8. **Pastikan pemegang dan permukaan pegangan kering, bersih dan bebas dari minyak dan gris.** Pemegang dan permukaan pegangan yang licin tidak membolehkan pengendalian dan kawalan selamat bagi alat dalam situasi yang tidak dijangka.
9. **Apabila menggunakan alat, jangan pakai sarung tangan kerja kain yang mungkin boleh kusut.** Kekusutan sarung tangan kerja kain pada bahagian yang bergerak boleh menyebabkan kecederaan diri.

Penggunaan dan penjagaan alat bateri

1. **Cas semula dengan pengecas yang ditentukan oleh pengeluar sahaja.** Pengecas yang sesuai untuk satu jenis pek bateri mungkin menimbulkan risiko kebakaran apabila digunakan dengan pek bateri lain.
2. **Gunakan alat kuasa dengan pek bateri yang ditentukan secara khusus sahaja.** Penggunaan mana-mana pek bateri lain mungkin menimbulkan risiko kecederaan dan kebakaran.
3. **Apabila pek bateri tidak digunakan, jauhkannya daripada objek besi lain, seperti klip kertas, duit syiling, paku, skru atau objek besi kecil lain, yang boleh membuat sambungan dari satu terminal ke yang lain.** Memintas terminal bateri bersama-sama mungkin menyebabkan letupan atau kebakaran.
4. **Di bawah keadaan kasar, cecair mungkin dikeluarkan daripada bateri; elakkan sentuhan. Jika tersentuh secara tidak sengaja, siram dengan air. Jika cecair terkena mata, dapatkan bantuan perubatan di samping siraman air.** Cecair yang dikeluarkan dari bateri mungkin menyebabkan kegatalan atau letupan.
5. **Jangan gunakan pek bateri atau alat yang rosak atau diubah suai.** Bateri yang rosak atau diubah suai mungkin menunjukkan perilaku yang tidak dijangka menyebabkan kebakaran, letupan atau risiko kecederaan.
6. **Jangan dedahkan pek bateri atau alat kepada api atau suhu yang berlebihan.** Pendedahan kepada api atau suhu melebihi 130 °C mungkin menyebabkan letupan.
7. **Ikut semua arahan pengecasan dan jangan cas pek bateri atau alat di luar julat suhu yang ditetapkan dalam arahan.** Mengecas dengan tidak betul atau pada suhu di luar julat yang dinyatakan mungkin merosakkan bateri dan meningkatkan risiko kebakaran.

Servis

1. **Pastikan alat kuasa anda diservis oleh orang yang berkelayakan dengan hanya menggunakan alat ganti yang sama.** Ini akan memastikan keselamatan alat kuasa dapat dikekalkan.
2. **Jangan servis pek bateri yang telah rosak.** Servis pek bateri hanya boleh dilakukan oleh pengeluar atau penyedia servis yang sah.
3. **Ikut arahan untuk melincir dan menukar aksesori.**

Amaran keselamatan kereta sorong berkuasa bateri

- Semasa mengendalikan mesin, sentiasa pakai kasut tanti gelincir dan perlindungan.** But dan kasut anti gelincir, jari kaki tertutup akan mengurangkan risiko kecederaan.
 - Periksa laluan sebelum mengangkat objek/bahan.** Membiasakan diri dengan laluan dan memastikan laluan cukup lebar untuk menavigasi mesin dengan selamat di bawah beban akan membantu mengurangkan kehilangan kawalan mesin.
 - Gunakan dengan sangat berhati-hati di kawasan licin, longgar dan tidak stabil.** Permukaan yang basah dan licin seperti kawasan berumput basah, salji atau ais dan rupa bumi yang longgar dan tidak stabil seperti permukaan pasir atau berbatu boleh menyebabkan mesin kehilangan cengkaman dan boleh menjejaskan stereng, brek dan kestabilan.
 - Jangan kendalikan mesin secara berlebihan di cerun yang curam.** Tindakan ini mengurangkan risiko kehilangan kawalan, tergelincir dan terjatuh yang boleh menyebabkan kecederaan diri. Cerun yang lebih besar daripada gred maksimum yang disyorkan dan gred sisi boleh meningkatkan risiko ketidakstabilan dan boleh menjejaskan keupayaan untuk berhenti dengan selamat.
 - Apabila bekerja di cerun, sentiasa pastikan pijakan anda sentiasa bekerja menghadap permukaan cerun, jangan ke atas atau ke bawah dan amalkan waspada semasa mengubah arah.** Tindakan ini mengurangkan risiko kehilangan kawalan, tergelincir dan terjatuh yang boleh menyebabkan kecederaan diri.
 - Apabila mungkin, gunakan kawasan aras untuk berhenti, memuatkan dan memunggah serta jangan sekali-kali meninggalkan mesin tanpa pengawasan di cerun.** Mesin menjadi lebih tidak stabil apabila berehat di atas cerun berbanding ketika berehat di permukaan yang rata.
 - Apabila meninggalkan mesin tanpa pengawasan, tetapkan brek letak kereta sebaik sahaja mesin berada di kawasan perhentian yang selamat.** Brek letak kereta menghalang pergerakan roda hadapan yang tidak diinginkan dan boleh meningkatkan kestabilan.
 - Pastikan tanjakan bersih, kukuh dan selamat.** Untuk mengurangkan risiko kecederaan, semua tanjakan mesti bersih daripada serpihan yang longgar dan cukup kuat untuk menahan berat beban yang dijangkakan yang akan dialihkan ke atas tanjakan tersebut. Tanjakan mesti mempunyai sekatan yang mencukupi di bawah dan ke kedua-dua belah untuk menghapuskan pelencongan dan pergerakan sisi ke sisi di bawah beban. Semua tanjakan mesti cukup lebar untuk mempunyai pijakan yang pasti semasa mengangkat beban merentasi tanjakan.
 - Pastikan semua skru pengunci diikat dengan kemas sebelum digunakan.** Skru pengunci pada roda belakang dan dinding hadapan serta sisi pembawa jenis terbuka mestilah selamat untuk mengelakkan pergerakan bahagian boleh laras mesin yang tidak diinginkan ini.
 - Jangan sekali-kali mengendalikan mesin dalam keadaan terlebih beban.** Pastikan mesin mempunyai kadaran kapasiti yang sesuai untuk objek atau bahan yang perlu diangkat. Beban yang berlebihan akan menjadikan mesin lebih sukar untuk bergerak dan berhenti, akan meningkatkan masa dan jarak berhenti serta akan meningkatkan risiko ketidakstabilan.
 - Jangan sekali-kali mengendalikan mesin anda dalam keadaan bertindan.** Menyusun bahan di atas rim dulang atau di atas sisi dulang boleh menyebabkan mesin menjadi tidak seimbang dan tidak terkawal.
 - Gunakan bekas dan pengikat untuk memegang beban.** Beban yang longgar dan/atau tidak selamat berkemungkinan besar untuk bergerak yang boleh mengakibatkan kehilangan kestabilan dan kawalan.
 - Sentiasa mengekalkan cengkaman yang kukuh pada pemegang.** Kehilangan kawalan boleh meningkatkan risiko kecederaan diri.
 - Keluarkan kunci keselamatan apabila tidak digunakan.** Kunci keselamatan menghalang penggunaan mesin berkuasa yang tidak diinginkan seperti oleh kanak-kanak atau orang lain yang tidak terlatih atau tidak dibenarkan. Tanpa kunci, kuasa elektrik tidak boleh "dihidupkan".
 - Mesin ini tidak boleh digunakan di atas jalan awam.** Penggunaan kereta sorong di jalan awam adalah menyalahi undang-undang dan boleh mengakibatkan penalti bidang kuasa tempatan selain boleh mengakibatkan kecederaan diri.
 - Gunakan plat kukuh dengan fungsi pencegahan antigelincir dan penanggalan semasa memuatkan dan/atau memunggah mesin ini untuk pengangkutan atau menggerakkan mesin ini antara tahap yang berbeza.** Pastikan kecondongan plat tidak melebihi 12° dan kendalikan mesin secara perlahan dan berhati-hati. Pengendalian yang tidak stabil dan pantas boleh mengakibatkan terbalik dan/atau jatuh.
 - Jangan pisahkan, baiki atau ubah suai mesin ini.**
- Penyediaan**
- Sebelum mengendalikan mesin, pastikan tiada orang di sekeliling mesin.**
 - Sebelum mengendalikan mesin, lakukan pemeriksaan merujuk kepada bahagian untuk penyelenggaraan.**
- Operasi**
- Semasa mengendalikan mesin, berdiri di belakang mesin dan pegang pemegang dengan kedua-dua belah tangan dengan kuat.**
 - Jangan kendalikan mesin semasa menaiki mesin.**
 - Jangan benarkan orang lain menaiki mesin.**

4. Apabila mengendalikan mesin secara terbalik dan berjalan ke belakang, perhatikan di belakang anda dan perhatikan langkah anda serta berhati-hati agar tidak tergelincir atau tersadung.
 5. Jangan gunakan mesin apabila jarak penglihatan kurang kerana terdapat risiko untuk melanggar halangan.
 6. Apabila mengendalikan mesin di atas permukaan kasar atau melalui aras jalan yang berbeza, kurangkan kelajuan dan berhati-hati.
 7. Semasa menggunakan mesin, elakkan permukaan lembut untuk mengelakkan terbalik akibat bahu jalan runtuh.
 8. Jangan kendalikan mesin di cerun menaik yang lebih besar daripada 12°.
 9. Jika anda mendapati keabnormalan, hentikan mesin di atas permukaan rata. Sebelum memeriksa mesin, kunci tuil brek dan kemudian matikan kuasa.
 10. Sebelum mengendalikan mesin, pastikan pemegang unit pemuatan ditarik sepenuhnya ke bawah dan dikunci sepenuhnya. Jika kunci tidak lengkap, terdapat risiko kemalangan atau kecederaan kerana pembawa atau baldi mungkin condong dan objek jatuh apabila menuruni bukit.
 11. Semasa mengendalikan mesin berhampiran dinding, berhati-hati agar tangan anda tidak terperangkap di antara pemegang dengan dinding.
 12. Jangan gunakan mesin dalam keadaan cuaca buruk terutamanya apabila terdapat risiko kilat. Ini mengurangkan risiko disambar petir.
 13. Jangan sentuh bahagian logam semasa digunakan atau selepas digunakan kerana bahagian ini boleh menjadi cukup panas untuk menyebabkan melecur akibat cahaya matahari.
 14. Berhati-hati agar tidak menjerat tali dengan beban atau halangan.
 15. Apabila melintasi jambatan kayu dsb., pastikan jumlah berat produk, kapasiti beban dan berat pengendali tidak melebihi had berat jambatan dan lintas jambatan dengan berhati-hati pada kelajuan tetap.
 16. Pakai sarung tangan semasa mengendalikan mesin dalam persekitaran suhu rendah. Menyentuh bahagian logam dengan tangan kosong boleh menyebabkan tangan anda melekat.
 17. Sekiranya terdapat orang atau halangan dalam arah perjalanan, elakkan mereka terlebih dahulu.
 18. Jangan cedok objek terus dengan pembawa atau baldi. Berbuat demikian boleh merosakkan mesin dan menyebabkan kemalangan.
 19. Apabila anda menggunakan mesin di tanah berlumpur, cerun basah, atau tempat yang licin, beri perhatian kepada kedudukan anda.
 20. Jangan menenggelamkan mesin ke dalam lopak.
 21. Apabila anda meninggalkan mesin semasa bekerja, pastikan anda mengembalikan unit pemuatan sepenuhnya ke kedudukan asal, dan kunci tuil brek dan keluarkan kekunci kunci.
 22. Jangan tinggalkan mesin tanpa pengawasan semasa objek dimuatkan pada pembawa atau baldi.
- Pengendalian di cerun**
1. Jangan melintas di cerun.
 2. Berhenti sebelum menuruni bukit dan pastikan untuk mengurangkan kelajuan dan berhati-hati.
 3. Jika kelajuan terlalu laju semasa perjalanan menuruni bukit, bunyi bip dikeluarkan. Dalam kes ini, kurangkan kelajuan menggunakan brek.
 4. Berhati-hati apabila memulakan atau memberhentikan mesin di cerun.
 5. Apabila beban menjadi kurang stabil di cerun, kukuhkan beban dengan tali.
 6. Apabila mesin menjadi tidak stabil bergantung pada keadaan jalan, pastikan beban pada tahap minimum.
 7. Apabila pandangan menjadi kabur di cerun, pastikan ketinggian beban pada tahap minimum.
 8. Jangan sekali-kali menghentikan mesin di cerun. Hentikan mesin di atas permukaan rata dan kunci tuil brek kemudian matikan kuasa.
 9. Jangan ubah arah atau mod kelajuan di cerun curam.
 10. Jangan lepaskan pencetus suis di cerun menaik. Mesin mungkin terbalik dan menyebabkan kemalangan.
 11. Pastikan baki kapasiti bateri mencukupi sebelum pengendalian di cerun. Jika baki kapasiti bateri tidak mencukupi, cas bateri atau gantikan dengan yang telah dicas.
 12. Apabila menghidupkan mesin di cerun, jangan letakkan kaki anda di belakang roda belakang kerana mesin bergerak ke belakang beberapa sentimeter.
- Memuatkan objek**
1. Jangan terlebih memuatkan objek. Semasa memuatkan objek, pastikan supaya mengikuti arahan dan had beban dalam manual.
 2. Memandangkan semakin besar beban, semakin sukar untuk mengendalikan mesin, pastikan beban dalam julat yang tidak menjejaskan operasi.
 3. Kukuhkan objek dengan tali.
 4. Muatkan objek dalam pembawa atau baldi. Jika objek terkeluar daripada pembawa atau baldi, terdapat risiko kemalangan akibat objek jatuh atau halangan sentuhan seperti dinding.
 5. Pastikan objek yang dimuatkan berada di bawah paras mata. Jika beban terlalu tinggi, bahaya kerana pandangan menjadi kabur. Selain itu terdapat risiko terbalik dan kecederaan kerana beban berkemungkinan tidak seimbang.

6. Muatkan objek dalam pembawa atau baldi secara sekata. Jika objek dimuatkan secara tidak sekata, terdapat risiko terbalik dan kecederaan kerana beban berkemungkinan tidak seimbang.
7. Sebelum memuatkan objek atau mengendalikan mesin, pastikan pemegang unit pemuangan ditarik sepenuhnya ke bawah dan dikunci sepenuhnya.
8. Pastikan anda memuatkan objek berat terlebih dahulu untuk mengekalkan keseimbangan.
9. Jangan panjangkan landasan hadapan dan sisi di cerun yang curam. Panjangkan landasan sisi apabila objek ringan dimuatkan.
10. Apabila memanjangkan landasan hadapan dan sisi, jangan panjangkan melebihi had sambungan. Pastikan untuk memanjangkan landasan sisi supaya sisi kanan dan kiri adalah sama panjang dan muatkan objek secara sama rata.
11. Muatkan dan punggah objek pada permukaan rata. Jangan sekali-kali memuatkan atau memunggah objek di cerun.
12. Apabila mengangkat dan mencondongkan pembawa atau baldi, pegang pemegang dan bingkai dengan kuat dan bekerja dalam postur yang stabil.

Pengangkutan mesin

1. Gunakan landasan tangga yang sekurang-kurangnya 4 kali ganda daripada ketinggian rangka trak dengan lekapan yang sesuai untuk rangka, permukaan yang tidak licin dan lebar yang mencukupi serta mampu menahan berat mesin dan pengendali. Baca manual arahan landasan tangga dengan teliti sebelum digunakan.
2. Sebelum memuatkan mesin, punggah semua objek daripada mesin dan keluarkan lumpur dan serpihan lain daripada tayar. Pasang landasan tangga pada permukaan yang rata dan stabil.
3. Sebelum memuatkan atau memunggah mesin, pastikan tiada orang di sekeliling mesin dan landasan tangga. Muatkan atau punggah mesin pada kelajuan rendah, berhati-hati untuk mengelakkan mesin terjatuh daripada landasan tangga dan kepala anda tidak terkena siling trak. Lebih berhati-hati apabila memuatkan dan memunggah mesin ke belakang.
4. Semasa mengangkut mesin, kunci tuil brek, matikan kuasa, keluarkan bateri dan kekunci kunci serta baiki mesin dengan selamat.

Penyelenggaraan dan penyimpanan

1. Sebelum menyimpan atau cuba melakukan pemeriksaan atau penyelenggaraan, sentiasa pastikan untuk menghentikan mesin di atas permukaan rata dan mengunci tuil brek, matikan mesin serta keluarkan kekunci kunci dan kartrij bateri.
2. Jangan biarkan mesin di luar rumah tanpa pengawasan di dalam hujan.

3. Semasa menyimpan mesin, elakkan cahaya matahari dan hujan secara langsung, dan simpan di tempat yang tidak panas atau lembap.
4. Mesin ini dilengkapi dengan unit hidraulik di bahagian bawah unit pemuangan untuk mencondongkan unit pemuangan secara automatik. Jangan ubah suai unit hidraulik, atau jangan longgarkan bolt pelepas unit atau skru pelaras injap pelega. Ini sangat berbahaya kerana boleh menyebabkan kemalangan atau kerosakan.

Penggunaan dan penjagaan alat bateri

1. Cas semula dengan pengecas yang ditentukan oleh pengeluar sahaja. Pengecas yang sesuai untuk satu jenis pek bateri mungkin menimbulkan risiko kebakaran apabila digunakan dengan pek bateri lain.
2. Gunakan alat kuasa dengan pek bateri yang ditentukan secara khusus sahaja. Penggunaan mana-mana pek bateri lain mungkin menimbulkan risiko kecederaan dan kebakaran.
3. Apabila pek bateri tidak digunakan, jauhkan daripada objek logam lain, seperti klip kertas, duit syiling, paku, skru atau objek logam kecil lain, yang boleh membuat sambungan dari satu terminal ke terminal yang lain. Memintas terminal bateri bersama-sama mungkin menyebabkan lecuran atau kebakaran.
4. Di bawah keadaan kasar, cecair mungkin dikeluarkan daripada bateri; elakkan sentuhan. Jika tersentuh secara tidak sengaja, siram dengan air. Jika cecair terkena mata, dapatkan bantuan perubatan di samping siraman air. Cecair yang dikeluarkan dari bateri mungkin menyebabkan kegatalan atau lecuran.
5. Jangan gunakan pek bateri atau alat yang rosak atau diubah suai. Bateri yang rosak atau diubah suai mungkin menunjukkan perilaku yang tidak dijangka menyebabkan kebakaran, letupan atau risiko kecederaan.
6. Jangan dedahkan pek bateri atau alat kepada api atau suhu yang berlebihan. Pendedahan kepada api atau suhu melebihi 130 °C mungkin menyebabkan letupan.
7. Ikut semua arahan pengecasan dan jangan cas pek bateri atau alat di luar julat suhu yang ditetapkan dalam arahan. Mengecas dengan tidak betul atau pada suhu di luar julat yang dinyatakan mungkin merosakkan bateri dan meningkatkan risiko kebakaran.

Keselamatan elektrik dan bateri

1. Jangan hapuskan bateri dengan membakarnya. Sel mungkin meletup. Periksa dengan kod tempatan untuk kemungkinan arahan pelupusan khas.
2. Jangan buka atau merosakkan bateri. Elektrolit yang dibebaskan adalah menghakis dan boleh menyebabkan kerosakan kepada mata atau kulit. Ia mungkin toksik jika tertelan.
3. Jangan cas bateri dalam hujan, atau di lokasi yang basah.
4. Jangan cas bateri di luar.

5. Jangan pegang pengecas, termasuk palam pengecas, dan terminal pengecas dengan tangan basah.
6. Jangan menggantikan bateri dalam hujan.
7. Jangan basuh terminal bateri dengan cecair seperti air, atau menenggelamkan bateri. Jangan biarkan bateri yang dalam hujan, atau caj, penggunaan, atau simpan bateri di tempat yang lembap atau basah. Jika terminal basah atau cecair masuk ke dalam bateri, bateri boleh litar pintas terdapat risiko terlalu panas, terbakar, atau letupan.
8. Selepas mengeluarkan bateri dari mesin atau pengecas, pastikan memasang penutup bateri ke bateri dan simpannya di tempat yang kering.
9. Jangan ganti bateri dengan tangan basah.
10. Elakkan persekitaran yang berbahaya. Jangan gunakan mesin dalam lokasi lembap atau basah atau mendedahkannya kepada hujan. Air yang memasuki mesin akan meningkatkan risiko kejutan elektrik.
11. Jika kartrij bateri basah, buang air di dalamnya dan kemudian lap dengan kain kering. Keringkan kartrij bateri sepenuhnya di tempat kering sebelum digunakan.
5. Jangan pintaskan kartrij bateri:
 - (1) Jangan sentuh terminal dengan bahan berkonduksi.
 - (2) Elakkan menyimpan kartrij bateri dalam bekas bersama-sama objek besi lain seperti paku, duit syiling, dll.
 - (3) Jangan dedahkan kartrij bateri kepada air atau hujan. Pintasan bateri boleh menyebabkan aliran kuasa yang besar, pemanasan lampau, melecur dan juga kerosakan.
6. Jangan simpan dan gunakan alat dan kartrij bateri di lokasi yang suhunya mungkin mencapai atau melebihi 50 °C (122 °F).
7. Jangan bakar kartrij bateri walaupun jika ia rosak teruk atau haus sepenuhnya. Kartrij bateri boleh meletup dalam kebakaran.
8. Jangan paku, potong, pecahkan, buang, jatuhkan kartrij bateri, atau tekan objek keras pada kartrij bateri. Perbuatan sedemikian boleh mengakibatkan kebakaran, haba berlebihan, atau letupan.
9. Jangan gunakan bateri yang rosak.
10. Bateri litium ion yang terkandung adalah tertakluk kepada keperluan Perundangan Barangan Berbahaya. Bagi pengangkutan komersil cth. oleh pihak ketiga, ejen penghantar, keperluan khas pada pembungkusan dan pelabelan mestilah diperhatikan. Bagi persediaan item yang dihantar, berunding dengan pakar bahan berbahaya adalah diperlukan. Sila juga perhatikan sebolehnya peraturan kebangsaan yang lebih terperinci. Lekatkan atau balut bahagian terbuka dan pek bateri supaya ia tidak bergerak dalam pembungkusan.

SIMPAN ARAHAN INI.

⚠️AMARAN: JANGAN biarkan keselesaan atau kebiasaan dengan produk (diperoleh dari kegunaan berulang) menggantikan pematuhan ketat terhadap peraturan keselamatan untuk produk yang ditetapkan. SALAH GUNA atau kegagalan mematuhi peraturan-peraturan keselamatan yang dinyatakan dalam manual arahan ini boleh menyebabkan kecederaan diri yang serius.

Arahan keselamatan penting untuk kartrij bateri

1. Sebelum menggunakan kartrij bateri, baca semua arahan dan tanda amaran pada (1) pengecas bateri, (2) bateri, dan (3) produk menggunakan bateri.
2. Jangan buka atau cabut kartrij bateri. Ia boleh mengakibatkan kebakaran, haba berlebihan, atau letupan.
3. Jika masa operasi menjadi sangat pendek, berhenti operasi serta merta. Ia mungkin menyebabkan risiko pemanasan lampau, melecur bahkan letupan.
4. Jika elektrolit masuk ke dalam mata anda, bilas mata dengan air jernih dan dapatkan rawatan perubatan serta merta. Ia mungkin menyebabkan kehilangan penglihatan.
11. Apabila melupuskan kartrij bateri, keluarkan ia daripada alat dan lupuskan ia di tempat selamat. Ikut peraturan tempatan anda mengenai pelupusan bateri.
12. Gunakan bateri hanya dengan produk yang ditentukan oleh Makita. Memasang bateri kepada produk yang tidak patuh mungkin menyebabkan kebakaran, pemanasan lampau, atau kebocoran elektrolit.
13. Jika alat tidak digunakan untuk tempoh masa yang lama, bateri mesti dikeluarkan daripada alat.
14. Semasa dan selepas penggunaan, kartrij bateri mungkin ada haba yang boleh menyebabkan terbakar atau suhu rendah terbakar. Beri perhatian kepada pengendalian kartrij bateri yang panas.
15. Jangan sentuh terminal alat itu selepas digunakan kerana ia mungkin panas menyebabkan terbakar.
16. Jangan biarkan cip, habuk, atau tanah terperangkap ke dalam terminal, lubang, dan alur cahaya kartrij bateri. Ia mungkin menyebabkan pemanasan, terbakar, meletup dan pincang tugas alat atau kartrij bateri, seterusnya menyebabkan lecur atau kecederaan diri.

17. Melainkan alat ini menyokong penggunaan yang hampir dari talian kuasa elektrik voltan tinggi, jangan gunakan kartrij bateri berhampiran talian kuasa elektrik voltan tinggi. Ia mungkin menyebabkan kerosakan atau pecah pada alat atau kartrij bateri.
18. Jauhkan bateri daripada kanak-kanak.

SIMPAN ARAHAN INI.

⚠PERHATIAN: Hanya gunakan bateri asli Makita. Penggunaan bateri tidak asli Makita, atau bateri yang telah diubah suai, mungkin menyebabkan bateri meletup menyebabkan kebakaran, kecederaan diri dan kerosakan. Ia juga membatalkan jaminan Makita untuk alat Makita dan pengecas.

Tip untuk mengekalkan hayat bateri maksimum

1. Cas kartrij bateri sebelum ternyahcas sepenuhnya. Sentiasa hentikan operasi alat dan cas kartrij bateri apabila anda menyedari kurang kuasa alat.
2. Jangan cas semula kartrij bateri yang dicas sepenuhnya. Terlebih cas memendekkan hayat servis bateri.
3. Cas kartrij bateri dengan suhu bilik pada 10 °C - 40 °C (50 °F - 104 °F). Biarkan kartrij bateri yang panas menyejuk sebelum mengecasnya.
4. Apabila tidak menggunakan kartrij bateri, tanggalkannya dari alat atau pengecas.
5. Cas kartrij bateri jika anda tidak menggunakannya untuk tempoh yang lama (lebih daripada enam bulan).

KETERANGAN BAHAGIAN

Apabila baldi dipasang

► Rajah1

1	Suis kecondongan	2	Panel kawalan	3	Butang bip	4	Pemicu suis
5	Lampu belakang	6	Pemegang	7	Kotak bateri	8	Tuil brek
9	Roda belakang	10	Kunci roda belakang	11	Tuil kunci	12	Unit pembuangan
13	Roda hadapan	14	Lampu hadapan	15	Baldi	-	-

Apabila pembawa dipasang

► Rajah2

1	Suis kecondongan	2	Panel kawalan	3	Butang bip	4	Pemicu suis
5	Lampu belakang	6	Pemegang	7	Kotak bateri	8	Tuil brek
9	Roda belakang	10	Kunci roda belakang	11	Tuil kunci	12	Roda hadapan
13	Lampu hadapan	14	Pembawa	-	-	-	-

PEMASANGAN

⚠PERHATIAN: Sentiasa pastikan mesin dimatikan dan kartrij bateri dikeluarkan sebelum menjalankan sebarang kerja pada mesin.

Sebelum memasang atau mengeluarkan pembawa atau baldi, pastikan tuil brek dikunci. Untuk mengunci tuil brek, tarik dan tahan tuil brek, kemudian tarik tuil kunci, dan kemudian lepaskan tuil brek sambil menarik tuil kunci.

► **Rajah3:** 1. Tuil brek 2. Tuil kunci

Memasang atau mengeluarkan baldi

Memasang baldi

1. Keluarkan baldi, penambat dan paip hadapan daripada kotak.

► **Rajah4:** 1. Baldi 2. Penambat 3. Paip hadapan

2. Masukkan paip hadapan di antara bingkai atas dengan bingkai bawah unit pembuangan.

► **Rajah5:** 1. Paip hadapan

3. Letakkan penambat pada unit pembuangan dan kemudian ketatkan bolt buat sementara waktu dengan paip hadapan bersama-sama. Pasang penambat yang lain ke unit pembuangan dengan cara yang sama.

► **Rajah6:** 1. Penambat 2. Bolt

4. Letakkan baldi pada paip hadapan dan penambat kiri dan kanan.

Letakkan sesendal getah pada lubang baldi dan masukkan bolt dari atas. Pasangkan sesendal leper dan sesendal pegas mengikut urutan pada bolt dan kemudian ketatkan nat dari bahagian bawah. Ketatkan baki bolt dan nat dengan cara yang sama.

- **Rajah7:** 1. Bolt 2. Sesendal getah 3. Sesendal leper 4. Sesendal pegas 5. Nat

5. Ketatkan dengan baik 4 bolt yang diketatkan buat sementara waktu dalam langkah 3.

Mengeluarkan baldi

Untuk mengeluarkan baldi, lakukan prosedur pemasangan secara terbalik.

Memasang atau mengeluarkan pembawa

Aksesori pilihan

Memasang pembawa

1. Keluarkan pembawa daripada kotak dan pasangkan landasan sisi dan landasan hadapan pada bingkai asas.

- **Rajah8**

2. Ketatkan 6 nat ibu jari bersama pegas dan sesendal untuk membetulkan landasan.

- **Rajah9:** 1. Nat ibu jari 2. Pegas 3. Sesendal

3. Letakkan pembawa pada unit pembuangan.

Masukkan bolt dari atas. Pasangkan sesendal leper dan sesendal pegas mengikut urutan pada bolt dan kemudian ketatkan nat dari bahagian bawah. Ketatkan baki bolt dan nat dengan cara yang sama.

- **Rajah10:** 1. Bolt 2. Sesendal leper 3. Sesendal pegas 4. Nat

Keluarkan pembawa

Untuk mengeluarkan pembawa, lakukan prosedur pemasangan secara terbalik.

KETERANGAN FUNGSI

⚠PERHATIAN: Sentiasa pastikan mesin dimatikan dan kartrij bateri ditanggalkan sebelum menyelaras atau memeriksa fungsi pada mesin.

Memasang atau mengeluarkan kartrij bateri

⚠PERHATIAN: Sentiasa matikan mesin dan kunci tuil brek sebelum memasang atau mengeluarkan kartrij bateri.

⚠PERHATIAN: Sentiasa pasang kartrij bateri sepenuhnya sehingga penunjuk merah tidak boleh dilihat. Jika tidak, ia mungkin terjatuh daripada mesin, menyebabkan kecederaan kepada anda atau seseorang di sekeliling anda.

⚠PERHATIAN: Jangan pasang kartrij bateri secara paksa. Jika kartrij tidak meluncur dengan mudah, ia tidak dimasukkan dengan betul.

⚠PERHATIAN: Jangan gunakan kartrij bateri bersuhu tinggi. Apabila kartrij bateri bersuhu tinggi digunakan, mesin akan berhenti secara automatik sebelum bunyi bip pendek dikeluarkan dan boleh menyebabkan kecederaan.

⚠PERHATIAN: Berhati-hati supaya tidak terkepit jari anda semasa membuka atau menutup penutup bateri.

NOTIS: Pastikan penutup kotak bateri ditutup dengan selamat sebelum digunakan. Jika tidak, lumpur, kotoran atau air boleh mengakibatkan kerosakan pada produk atau kartrij bateri.

Memasang kartrij bateri

1. Tarik tuil kunci dan kemudian buka penutup kotak bateri.

- **Rajah11:** 1. Penutup 2. Tuil kunci

2. Jajarkan lidah pada kartrij bateri dengan slot pada kotak bateri dan kemudian luncurkan kartrij sehingga kartrij terkunci di tempat dengan hanya satu klik.

- **Rajah12:** 1. Kartrij bateri

3. Masukkan kekunci kunci pada tempat yang ditunjukkan dalam rajah sejauh yang boleh dan pusingkan mengikut arah jam.

- **Rajah13:** 1. Kekunci

NOTA: Untuk memusingkan kekunci kunci, masukkan kekunci kunci sepenuhnya.

4. Tutup penutup kotak bateri.

- **Rajah14:** 1. Penutup

Keluarkan kartrij bateri

1. Tarik tuil kunci dan kemudian buka penutup kotak bateri.

2. Tarik keluar kartrij bateri daripada kotak bateri apabila meluncurkan butang di hadapan kartrij.

- **Rajah15:** 1. Butang

3. Pusingkan kekunci kunci arah lawan jam dan tarik keluar.

4. Tutup penutup kotak bateri.

Sistem perlindungan bateri/mesin

Mesin dilengkapi dengan sistem perlindungan mesin/bateri. Sistem ini memotong kuasa kepada motor secara automatik untuk memanjangkan hayat mesin dan bateri. Mesin akan berhenti secara automatik semasa pengendalian jika mesin atau kartrij bateri berada di bawah salah satu daripada keadaan berikut. Bunyi bip pendek atau bunyi bip panjang dikeluarkan sebelum mesin berhenti secara automatik. Penunjuk bateri dan lampu pada panel kawalan berkelip semasa bunyi bip dikeluarkan.

NOTA: Untuk membatalkan bunyi bip, lepaskan pemicu suis dan tarik tuil brek.

Perlindungan lebih beban

Jika mesin/bateri telah dikendalikan mengikut cara yang menyebabkan menarik arus tinggi luar biasa, mesin berhenti secara automatik dan lampu kuasa utama berkelip dengan warna hijau. Dalam situasi ini, pusingkan mesin dan hentikan penggunaan yang menyebabkan mesin menjadi terlebih beban seperti mengurangkan objek yang dimuatkan. Kemudian hidupkan mesin untuk mula semula.

Perlindungan pemanasan lampau

Apabila mesin terlalu panas, mesin berhenti secara automatik dan lampu kuasa utama menyala merah. Dalam situasi ini, biarkan mesin dan bateri sejuk sebelum hidupkan mesin semula.

Perlindungan lebih nyahcas

Apabila kapasiti bateri tidak mencukupi, lampu kuasa utama dan penunjuk bateri yang sepadan berkelip merah. Dalam kes ini, tukar kartrij bateri atau tukar kartrij bateri kepada yang dicas penuh atau keluarkan kartrij bateri daripada mesin dan caskan.

NOTA: Lampu kuasa utama berkelip merah apabila bateri terlampau panas.

Perlindungan terhadap punca lain

NOTIS: Lampu kuasa utama berkelip dalam warna hijau dan merah secara berselang-seli apabila keabnormalan berlaku dalam mesin. Dalam kes ini, rujuk bahagian untuk menyelesaikan masalah.

Sistem perlindungan juga direka bentuk untuk punca lain yang boleh merosakkan mesin dan membolehkan mesin berhenti secara automatik. Ambil semua langkah yang berikut untuk membuang punca, apabila mesin telah dibawa kepada berhenti sementara atau berhenti beroperasi.

1. Matikan mesin dan kemudian hidupkan peralatan lagi untuk mula semula.
2. Cas bateri atau gantikan bateri dengan bateri yang telah dicas.
3. Biarkan mesin dan bateri menyejuk.

NOTIS: Jika tiada peningkatan dapat ditemui atau mesin berhenti kerana sebab yang tidak diterangkan di atas, rujuk bahagian untuk menyelesaikan masalah.

Menunjukkan kapasiti bateri yang tinggal

PERHATIAN: Sebelum memeriksa baki kapasiti bateri atau menukar kartrij bateri, pastikan untuk menghentikan mesin.

PERHATIAN: Apabila kapasiti bateri menjadi rendah, bunyi bip pendek dikeluarkan. Dalam kes ini, kunci tuil brek dan kemudian tukar kartrij bateri kepada yang dicas atau cas kartrij bateri. Jika anda terus mengendalikan mesin pada kapasiti bateri yang rendah dan baki kapasiti bateri kehabisan, bunyi bip yang panjang dikeluarkan dan mesin berhenti secara automatik dan ini boleh menyebabkan kemalangan atau kecederaan.




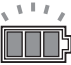
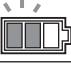



PERHATIAN: Jika bunyi bip dikeluarkan semasa pengendalian di cerun, gerakan mesin ke tempat yang selamat, kunci tuil brek dan kemudian tukar kartrij bateri kepada yang dicas atau cas kartrij bateri.

PERHATIAN: Jika beban adalah besar dan bunyi bip dikeluarkan semasa pengendalian di cerun, kunci tuil brek dan beri perhatian kepada keselamatan dan tukar kartrij bateri kepada yang dicas. Alihkan mesin ke tempat yang selamat dan kunci tuil brek. Kurangkan beban sebelum mengendalikan semula mesin. Untuk mendapatkan butiran, rujuk bahagian penyelesaian masalah.

Memeriksa paras bateri pada kotak bateri

► **Rajah16:** 1. Penunjuk bateri 2. Butang semak

Tekan butang semak untuk menunjukkan kapasiti bateri yang tinggal. Penunjuk bateri sepadan dengan setiap bateri.

Status penunjuk bateri			Kapasiti bateri yang tinggal
 Hidup	 Berkelip	 Mati	
			50% - 100%
			20% - 50%
			0% - 20%
			Kosong
			Bateri tidak dipasang

NOTA: Jika anda terus menarik pemacu suis walaupun anda mendengar bunyi bip pendek, mesin akan berhenti secara automatik. Selepas mesin berhenti secara automatik, bunyi bip diteruskan dan brek sokongan didayakan. Untuk membatalkan bunyi bip dan melepaskan brek sokongan, lepaskan pemacu suis dan tarik tuil brek. Jangan tolak mesin secara paksa tanpa melepaskan brek sokongan.

NOTA: Anda boleh memeriksa baki kapasiti bateri walaupun kekunci kunci tidak dimasukkan.

NOTA: Penunjuk bateri untuk kapasiti bateri yang tinggal hanya untuk rujukan. Kapasiti bateri sebenar mungkin berbeza bergantung pada keadaan penggunaan.

NOTIS: Jika kartrij bateri berada dalam keadaan berikut, mesin tidak berfungsi walaupun anda menukar bateri dengan suis pemilihan bateri.

- Baki kapasiti sekurang-kurangnya satu daripada kartrij bateri adalah kosong.
- Sekurang-kurangnya satu daripada kartrij bateri terlampau panas.

Dalam kes ini, keluarkan kartrij bateri yang kosong atau terlampau panas atau gantikan kartrij bateri dengan yang telah dicas.

NOTA: Jika hanya 2 kartrij bateri dipasang pada mesin, pastikan anda memilih kartrij bateri yang dipasang dengan suis pemilihan bateri.

Memeriksa paras bateri pada katrij bateri

Hanya untuk kartrij bateri dengan penunjuk

Tekan butang semak pada kartrij bateri untuk menunjukkan kapasiti bateri yang tinggal. Lampu penunjuk menyala untuk beberapa saat.

► **Rajah17:** 1. Lampu penunjuk 2. Butang semak

Lampu penunjuk			Kapasiti yang tinggal
Dinyalakan	Mati	Berkelip	
			75% hingga 100%
			50% hingga 75%
			25% hingga 50%
			0% hingga 25%
			Cas bateri.
			Bateri mungkin telah rosak.

NOTA: Bergantung kepada keadaan penggunaan dan suhu persekitaran, penunjuk mungkin berbeza sedikit daripada kapasiti sebenar.

NOTA: Lampu penunjuk (kiri jauh) pertama akan berkedip apabila sistem perlindungan bateri berfungsi.

Menukar kartrij bateri

► **Rajah18:** 1. Suis pemilihan bateri

Mesin ini menggunakan 2 kartrij bateri untuk operasi satu masa. Hingga 4 kartrij bateri boleh dipasang kepada mesin. Sebelum mengendalikannya, pilih kartrij bateri yang digunakan untuk operasi dengan memutar suis pemilihan bateri.

Panel kawalan

PERHATIAN: Sentiasa kunci tuil brek dan matikan mesin apabila tidak digunakan.

Butang kuasa

► **Rajah19:** 1. Lampu kuasa utama 2. Butang kuasa

Untuk menghidupkan mesin, kunci tuil brek, dan kemudian tekan butang kuasa tanpa menarik pemacu suis. Lampu kuasa utama menyala hijau. Untuk mematikan mesin, lepaskan pemacu suis dan kunci tuil brek, dan kemudian tekan butang kuasa.

NOTA: Ujian elektrik dilakukan pada kali pertama mesin digerakkan selepas mesin dihidupkan. Jika masalah dikesan, lampu kuasa utama berkelip merah atau hijau secara berselang-seli. Dalam kes ini, rujuk bahagian untuk menyelesaikan masalah.

NOTA: Jika lampu kuasa utama menyala merah atau berkelip merah atau hijau, rujuk arahan untuk sistem perlindungan mesin/bateri atau bahagian untuk menyelesaikan masalah.

NOTA: Mesin ini menggunakan fungsi kuasa auto. Untuk mengelakkan permulaan yang tidak disengajakan, mesin akan dimatikan secara automatik apabila mesin dihentikan dan tidak dikendalikan untuk tempoh tertentu selepas mesin dihidupkan.

NOTA: Jika anda menekan butang kuasa semasa menarik picu suis, mesin tidak akan dihidupkan. Lepaskan pemacu suis dan kemudian tekan butang kuasa.

Butang ke hadapan/terbalik dan kelajuan

► **Rajah20:** 1. Butang ke hadapan/terbalik 2. Penunjuk kelajuan 3. Butang kelajuan

Tekan butang ke hadapan/terbalik untuk bertukar antara mod hadapan dengan mod undur. Tekan butang kelajuan untuk bertukar antara kelajuan rendah, kelajuan sederhana dengan kelajuan tinggi. Apabila kuasa dihidupkan, mod hadapan dan kelajuan rendah ditetapkan.

NOTA: Butang ke hadapan/terbalik tidak tersedia semasa menarik pemacu suis.

NOTA: Bunyi bip pendek keluar apabila mengendalikan mesin secara terbalik.

NOTA: Butang kelajuan tidak tersedia apabila mengendalikan mesin secara terbalik.

NOTA: Jika mesin mengesan masalah, penunjuk kelajuan akan berkelip secara berselang-seli. Dalam kes ini, rujuk bahagian untuk menyelesaikan masalah.

Butang bip

Apabila anda menekan butang bip, bunyi bip dikeluarkan.

► **Rajah21:** 1. Butang bip

NOTA: Butang bip tersedia apabila mesin dihidupkan.

NOTA: Butang bip tersedia walaupun kekunci kunci tidak dimasukkan ke dalam kotak bateri.

Menyalakan lampu

Tekan butang lampu pada kotak bateri untuk menyalakan lampu hadapan dan lampu belakang. Untuk mematikan lampu, tekan semula butang lampu.

► **Rajah22:** 1. Butang lampu 2. Lampu hadapan

► **Rajah23:** 1. Lampu belakang

NOTA: Lampu padam jika mesin tidak dikendalikan untuk tempoh tertentu.

NOTA: Lampu padam apabila kuasa dimatikan.

NOTA: Anda boleh menyalakan lampu walaupun kekunci kunci tidak dimasukkan.

Pemacu suis dan tuil brek

PERHATIAN: Sebelum memasang kartrij bateri ke dalam mesin, sentiasa periksa untuk melihat pemacu suis bergerak dengan betul dan kembali ke posisi "OFF" apabila dilepaskan.

Untuk memulakan mesin, tarik pemacu suis.

Menggunakan pemacu suis, kelajuan boleh dilaraskan dalam julat kelajuan yang ditetapkan. Untuk menghentikan mesin, lepaskan pemacu suis kemudian tarik tuil brek.

Untuk mengunci tuil brek, tarik dan tahan tuil brek kemudian tarik tuil kunci dan kemudian lepaskan tuil brek sambil menarik tuil kunci. Untuk melepaskan kunci, tarik tuil brek.

► **Rajah24:** 1. Pemacu suis

► **Rajah25:** 1. Tuil brek 2. Tuil kunci

Suis kecondongan

PERHATIAN: Pastikan anda memegang tuil brek apabila anda mengendalikan suis kecondongan.

PERHATIAN: Sebelum menggunakan suis kecondongan, pastikan kapasiti bateri yang tinggal tidak rendah. Jika kapasiti bateri rendah, kunci tuil brek, dan kemudian tukar kartrij bateri kepada yang telah dicas atau gantikan kartrij bateri dengan yang telah dicas.

► **Rajah26:** 1. Suis kecondongan

Anda boleh condongkan baldi atau pembawa menggunakan suis kecondongan. Untuk mencondongkan baldi atau pembawa ke hadapan, tekan bahagian atas suis kecondongan sambil memegang tuil brek. Untuk mengembalikan baldi atau pembawa, tekan bahagian bawah suis kecondongan sambil memegang tuil brek.

NOTA: Bunyi bip dikeluarkan semasa baldi atau pembawa bergerak.

Melaraskan lebar pembawa

NOTIS: Pastikan landasan sisi dan landasan hadapan dipasang dengan baik selepas mengetatkan nat ibu jari.

Longgarkan 6 nat ibu jari dan kemudian lururkan landasan sisi dan landasan hadapan. Ketatkan nat ibu jari untuk membetulkan landasan sisi dan landasan hadapan.

► **Rajah27:** 1. Nat ibu jari 2. Landasan

PERHATIAN: Jangan lururkan landasan melebihi tanda had.

► **Rajah28**

Laraskan ketinggian pemegang

NOTIS: Betulkan pemegang kiri dan kanan pada ketinggian yang sama.

Ketinggian pemegang boleh dilaraskan dalam 7 tahap. Untuk melaraskan ketinggian pemegang, longgarkan 2 tombol kemudian laraskan ketinggian pemegang dengan menjajarkan lubang pada pemegang dengan tonjolan pada bingkai belakang dan kemudian ketatkan 2 tombol dengan baik. Laraskan ketinggian pemegang yang lain dengan cara yang sama.

► **Rajah29:** 1. Tombol

Kunci roda belakang

Anda boleh menetapkan arah roda belakang menggunakan kunci roda belakang.

1. Gerakkan mesin sedikit ke hadapan supaya roda belakang menghadap ke arah yang ditunjukkan dalam rajah.

► **Rajah30:** 1. Roda belakang

2. Putar kunci roda belakang ke arah belakang.

► **Rajah31:** 1. Kunci roda belakang

3. Kunci roda belakang yang lain dengan cara yang sama.

4. Gerakkan roda belakang ke belakang atau ke kiri dan kanan sedikit untuk memastikan roda dikunci.

Untuk melepaskan kunci roda belakang, putar kunci roda belakang 90° seperti yang ditunjukkan dalam rajah.

► **Rajah32:** 1. Kunci roda belakang

NOTA: Roda belakang boleh diletakkan dalam 4 arah berbeza seperti yang ditunjukkan dalam rajah.

► **Rajah33**

Menggunakan tuil

Menggunakan tuil, anda boleh memeriksa sama ada permukaan adalah rata.

► **Rajah34:** 1. Tahap

OPERASI

PERHATIAN: Pastikan tuil brek dikunci sebelum memuatkan atau memungkah objek.

Mengendalikan mesin

NOTIS: Pastikan anda memasukkan kekunci kunci sebelum pengendalian. Jika kekunci kunci tidak dimasukkan, bunyi bip dikeluarkan apabila anda menarik pemicu suis. Bunyi bip dihentikan dengan melepaskan pemicu suis dan menarik dan tuil brek.

NOTIS: Lakukan pemeriksaan sebelum mengendalikan mesin dengan merujuk kepada bahagian untuk penyelenggaraan.

1. Pastikan bahawa tuil brek dikunci. Pasang kartrij bateri dan masukkan kekunci kunci serta pusingkan mengikut arah jam.

2. Pilih kartrij bateri dengan suis pemilihan bateri.

3. Tekan butang kuasa pada panel kawalan untuk menghidupkan alat.

► **Rajah35:** 1. Butang kuasa

4. Tarik tuil brek untuk melepaskan kunci tuil brek.

► **Rajah36:** 1. Tuil brek

5. Pegang pemegang dengan kukuh menggunakan kedua-dua belah tangan.

► **Rajah37**

6. Tarik pemicu suis.

► **Rajah38:** 1. Pemicu suis

Memuatkan objek

PERHATIAN: Sebelum memuatkan objek pada mesin, pastikan mesin dimatikan dan tuil brek dikunci.

PERHATIAN: Sebelum memuatkan objek pada mesin, pastikan unit pembuangan dikunci.

PERHATIAN: Pastikan objek dimuatkan dalam pembawa atau baldi. Jika objek terkeluar daripada pembawa atau baldi, objek itu mungkin jatuh atau runtuh jika menyentuh halangan.

► **Rajah39**

PERHATIAN: Pastikan untuk memuatkan objek supaya berada di bawah paras mata. Jika beban terlalu tinggi, bahaya kerana pandangan menjadi kabur. Selain itu terdapat risiko terbalik dan kecederaan kerana beban berkemungkinan tidak seimbang.

► **Rajah40**

PERHATIAN: Jangan muatkan objek melebihi ketinggian baldi. Memuatkan objek melebihi ketinggian baldi boleh menyebabkan beban jatuh atau runtuh.

Apabila memuatkan objek pada pembawa, kukuhkan objek dengan tali dan ikatkan pada cangkuk tali pembawa.

► **Rajah41:** 1. Cangkuk tali

Objek pembuangan

PERHATIAN: Apabila mengangkat atau memulangkan pembawa atau baldi, jangan sekali-kali memasukkan atau meletakkan sebarang bahagian tubuh badan anda di antara unit pembuangan dan pembawa atau baldi, atau di bawah unit pembuangan. Berbuat demikian boleh mengakibatkan kecederaan atau melecur.

PERHATIAN: Selepas membuang beban, pastikan anda mengunci unit pembuangan dengan mengembalikan unit pembuangan ke kedudukan asal.

PERHATIAN: Sebelum mengangkat pembawa atau baldi secara manual, pastikan tuil brek dikunci.

PERHATIAN: Angkat pembawa atau baldi di atas permukaan yang rata dan stabil. Operasi di atas permukaan yang tidak stabil boleh menyebabkan kemalangan atau kecederaan.

PERHATIAN: Pastikan beban minimum. Jika beban adalah besar, jangan cuba mengangkat pembawa atau baldi. Kurangkan beban dan kemudian angkat pembawa atau baldi.

PERHATIAN: Jika beban dipasang dengan tali atau cara lain, buka ikatan beban sebelum mengangkat unit pembuangan.

PERHATIAN: Sebelum mengangkat pembawa atau baldi, pastikan tiada orang atau halangan di sekeliling mesin.

Anda boleh membuang objek dengan mengangkat dan mencondongkan pembawa atau baldi.

1. Hentikan mesin.
2. Condongkan baldi atau pembawa ke hadapan dengan menekan bahagian atas suis kecondongan sambil memegang tuil brek.
► **Rajah42:** 1. Suis kecondongan
3. Untuk membuang secara manual objek yang tertinggal dalam baldi atau pembawa, ikut langkah di bawah.
 - Kunci tuil brek, dan kemudian berdiri di sebelah sisi mesin.
 - Putarkan tuil kunci unit pembuangan ke arah depan mesin untuk membuka kunci unit pembuangan.
 - Pegang pemegang unit pembuangan, dan kemudian condongkan baldi atau pembawa ke hadapan untuk membuang objek.
 - Kembalikan baldi atau pembawa pada unit pembuangan.► **Rajah43:** 1. Tuil kunci 2. Unit pembuangan

⚠PERHATIAN: Pegang pemegang unit pembuangan dengan kuat, dan bekerja dalam postur yang stabil.

NOTIS: Adalah disyorkan untuk menyengking roda hadapan bagi menstabilkan mesin.

4. Kembalikan baldi atau pembawa ke kedudukan asal dengan tekan bahagian bawah suis kecondongan sambil memegang tuil brek.

NOTIS: Pastikan anda mengembalikan baldi atau pembawa ke kedudukan asal selepas membuang objek. Jika baldi atau pembawa tidak dikembalikan sepenuhnya dan dikunci, kelajuan perjalanan mesin dihadkan hingga 0.8 km/j.

PENYELENGGARAAN

⚠PERHATIAN: Sentiasa pastikan untuk meletakkan mesin di atas permukaan rata dan kunci tuil brek sebelum disimpan atau cuba melakukan pemeriksaan atau penyelenggaraan.

⚠PERHATIAN: Sentiasa pastikan bahawa kekunci kunci dan kartrij bateri dikeluarkan daripada mesin sebelum menyimpan, memeriksa atau penyelenggaraan.

⚠PERHATIAN: Sentiasa keluarkan kekunci kunci apabila mesin tidak digunakan. Simpan kekunci kunci di tempat yang selamat jauh daripada jangkauan kanak-kanak.

Untuk mengekalkan KESELAMATAN dan KEBOLEHPERCAAYAAN produk, pembaikan, apa-apa penyelenggaraan atau penyesuaian lain perlu dilakukan oleh Kilang atau Pusat Servis Makita yang Diiktiraf, sentiasa gunakan alat ganti Makita.

Pemeriksaan sebelum pengendalian

Lakukan pemeriksaan berikut sebelum mengendalikan mesin.

- Periksa sama ada bolt, nat dan tombol diketatkan dengan kukuh.
- **Rajah44**
- Periksa sama ada brek berfungsi dengan baik. Jika anda berasa brek tidak berfungsi dengan secukupnya, lakukan pembersihan brek. Jika tiada perubahan berlaku, minta pembaikan daripada Pusat Servis Makita yang Diiktiraf.
 - Periksa sama ada unit pembuangan dikunci apabila pemegang unit pembuangan ditarik ke bawah sepenuhnya.
- **Rajah45:** 1. Pemegang
- Periksa sama ada tayar roda hadapan dan belakang tidak rosak dan udara di dalam tayar adalah mencukupi.
 - Periksa sama ada lampu hadapan, dan lampu belakang bersih. Bersihkan jika perlu.
 - Periksa sama ada pengikis berada dalam kedudukan yang betul. Jika pengikis menghadap ke atas, laraskan orientasi pengikis dengan melepaskan bolt. Apabila mengetatkan bolt, jangan tolak pengikis ke arah hadapan mesin.
- **Rajah46:** 1. Pengikis

Membersihkan mesin

NOTIS: Jangan gunakan petrol, benzin, pencair, alkohol atau bahan yang serupa. Ia boleh menyebabkan perubahan warna, bentuk atau keretakan.

NOTIS: Jangan gunakan sesendal bertekanan tinggi untuk pembersihan.

NOTIS: Semasa membersihkan mesin, pastikan anda menutup penutup kotak bateri. Jika tidak, air boleh masuk ke dalam kotak bateri dan menyebabkan mesin tidak berfungsi.

Keluarkan lumpur, kotoran dan seumpamanya daripada mesin. Bersihkan mesin dengan air yang mengalir. Selepas pembersihan, lap mesin dengan kain kering.

Penyimpanan

Kunci tuil brek dan keluarkan kartrij bateri dan kekunci kunci. Simpan mesin di tempat yang selamat jauh daripada jangkauan kanak-kanak.

Mengisi semula tayar dengan udara

Periksa sama ada udara dalam tayar untuk roda hadapan dan belakang tidak hilang. Jika udara dalam tayar tidak mencukupi, isi semula tayar dengan udara menggunakan alat pengembang udara. Tekanan udara adalah seperti berikut:

- Tayar untuk roda hadapan: 280 kPa (40 PSI)
- Tayar untuk roda belakang: 525 kPa (75 PSI)

Roda hadapan

► Rajah47

Roda belakang

► Rajah48

Menggantikan tayar

⚠PERHATIAN: Sebelum menggantikan tayar, pastikan anda memungghah semua objek daripada mesin.

⚠PERHATIAN: Semasa menukar tayar, pakai sarung tangan.

Menggantikan tayar roda hadapan

NOTA: Apabila memasang tayar kelabu, pasangkan supaya injap menghadap ke luar.

► Rajah49

Menggantikan tayar roda belakang

► Rajah50

► Rajah51

PENYELESAIAN MASALAH

Sebelum meminta pembaikan, jalankan pemeriksaan sendiri terlebih dahulu. Jika anda menemui masalah yang tidak diterangkan dalam manual, jangan cuba untuk menanggalkan mesin. Sebaliknya, tanya Pusat Servis yang Diiktiraf oleh Makita, sentiasa gunakan alat ganti Makita untuk pembaikan.

Kedadaan keabnormalan	Lampu kuasa utama	Sebab	Remedi
Mesin tidak dapat dihidupkan.	Matikan.	Dua kartrij bateri tidak dipasang.	Pasang dua kartrij bateri yang dikenakan.
		Masalah bateri (voltan rendah)	Cas semula kartrij bateri. Jika mengecap tidak berkesan, gantikan kartrij bateri.
		Suis pemilihan bateri tidak berada dalam kedudukan yang betul.	Pilih kartrij bateri yang betul dengan suis pemilihan bateri.
Mesin tidak dapat dimulakan.	Lampu berkelip merah.	Tahap bateri terlalu rendah.	Cas semula kartrij bateri. Jika mengecap tidak berkesan, gantikan kartrij bateri.
		Sekurang-kurangnya satu daripada kartrij bateri adalah kosong.	Keluarkan bateri kosong atau gantikan dengan bateri yang telah dicas. Dalam kes ini, lampu paling kiri penunjuk bateri bagi bateri yang sepadan berkelip.
	Lampu berkelip hijau.	Kekunci kunci tidak dimasukkan.	Masukkan kekunci kunci dan pusingkan mengikut arah jam.
		Mesin berhenti kerana terlalu beban.	Kurangkan objek yang dimuatkan.
		Roda hadapan atau belakang tersekat atau terkunci.	Keluarkan penyebab roda tersekat atau terkunci.
	Lampu menyala merah.	Mesin berhenti kerana terlampau panas.	Sejukkan mesin dan bateri.
	Lampu berkelip merah dan hijau secara berselang-seli.	Kekunci kunci tidak dimasukkan.	Masukkan kekunci kunci dan pusingkan mengikut arah jam.
		Mesin mengesan keabnormalan.	Matikan mesin dan kemudian hidupkan semula. Pincang tugas mesin telah berlaku. Minta pembaikan daripada Pusat Servis yang Diiktiraf oleh Makita.
	Lampu menyala hijau.	Tuil tukar neutral tidak berada dalam kedudukan asal.	Kunci tuil brek dan kemudian kembalikan tuil tukar neutral ke kedudukan asal.
	Mesin berhenti berfungsi selepas digunakan seketika.	Lampu berkelip merah.	Tahap bateri terlalu rendah.
Kelajuan perjalanan mesin tidak bertambah.	Lampu menyala hijau.	Unit pembuangan tidak dikembalikan sepenuhnya, atau tidak dikunci.	Kembalikan unit pembuangan sepenuhnya dan pastikan ia dikunci.

Menyelesaikan masalah untuk mesin yang berhenti

⚠️ AMARAN: Melainkan benar-benar perlu, jangan sekali-kali nyahdayakan brek sokongan mesin dengan tuil tukar neutral. Memandangkan brek sokongan mesin dinyahdayakan, mesin mungkin bergerak secara tidak sengaja dan menyebabkan kemalangan atau kecederaan diri.

⚠️ AMARAN: Pastikan anda mengembalikan tuil tukar neutral ke kedudukan asal selepas menarik tuil ke luar.

Jika mesin tidak boleh dialihkan apabila bateri kehabisan atau kerosakan mesin telah berlaku, anda boleh menggerakkan mesin secara manual dengan menarik tuil tukar neutral ke luar untuk menyahdayakan brek sokongan.

1. Kunci tuil brek.
2. Pungghakan semua objek daripada mesin.

⚠️ PERHATIAN: Pastikan anda memunggh semua objek daripada mesin. Mesin mungkin bergerak secara tidak sengaja jika objek dibiarkan di atas mesin.

3. Jika mesin berada di cerun, buka kunci tuil brek dan halakan mesin supaya tuil brek berada pada sisi atas cerun dan mesin selari dengan cerun. Kunci tuil brek.

► **Rajah52**

4. Pastikan mesin tidak bergerak dan tarik keluar tuil tukar neutral ke luar.

► **Rajah53:** 1. Tuil tukar neutral

5. Buka kunci tuil brek dan gerakkan mesin secara manual ke tempat yang selamat. Oleh kerana brek sokongan dinyahdayakan, gerakkan mesin dengan berhati-hati dengan tuil brek supaya kelajuan tidak meningkat.

6. Selepas mengalihkan mesin ke tempat yang selamat, kunci tuil brek.

7. Kembalikan tuil tukar neutral ke posisi asal. Pastikan bahawa tuil tukar neutral dikembalikan sepenuhnya pada kedudukan yang ditunjukkan pada rajah.

► **Rajah54:** 1. Tuil tukar neutral

⚠️ PERHATIAN: Hanya gunakan aksesori atau alat tambahan Makita untuk mesin. Penggunaan sebarang aksesori atau alat tambahan lain boleh mengakibatkan kecederaan diri yang serius.

Jika anda memerlukan sebarang bantuan untuk maklumat lebih lanjut mengenai aksesori ini, tanya Pusat Perkhidmatan Makita tempatan anda.

- Pembawa
- Baldi
- Tayar hadapan (hitam)
- Tayar hadapan (kelabu)
- Tayar belakang (kelabu)
- Bateri dan pengecas asli Makita

NOTA: Beberapa item dalam senarai mungkin disertakan dalam pakej alat sebagai aksesori standard. Item mungkin berbeza mengikut negara.

AKSESORI PILIHAN

⚠️ PERHATIAN: Aksesori atau lampiran ini disyorkan untuk digunakan dengan mesin Makita yang dinyatakan dalam manual ini. Penggunaan mana-mana aksesori atau alat tambahan lain mungkin mengakibatkan risiko kecederaan kepada orang. Hanya gunakan aksesori atau alat tambahan untuk tujuan yang dinyatakannya.

THÔNG SỐ KỸ THUẬT

Kiểu máy:		DCU602
Kích thước (Dài x Rộng x Cao)	Khi có thùng chứa	1.480 mm x 730 mm x 820 - 1.030 mm
	Khi có vành đỡ	1.450 - 1.600 mm x 730 - 1.080 mm x 820 - 1.030 mm
Tốc độ di chuyển	Về phía trước	5,0 / 3,5 / 1,5 km/h
	Đảo chiều	1,0 km/h
Tải trọng tối đa	Trên mặt đất bằng phẳng	300 kg
	Trên dốc (3° - 12°)	180 kg
Khả năng leo dốc tối đa		12°
Bán kính quay tối thiểu *		1.150 mm
Phanh		Phanh tay và phanh hỗ trợ
Lớp xe	Bánh trước	Lốp khí nén
	Bánh sau	Lốp khí nén
Điện áp định mức		36 V một chiều
Khối lượng tịnh	Khi có thùng chứa	145 - 147 kg
	Khi có vành đỡ	141 - 143 kg
Cấp bảo vệ		IPX4

*: Đường kính ngoài khi quay với bánh trước làm trục.

- Do chương trình nghiên cứu và phát triển liên tục của chúng tôi nên các thông số kỹ thuật trong đây có thể thay đổi mà không cần thông báo trước.
- Các thông số kỹ thuật có thể thay đổi tùy theo từng quốc gia.
- Khối lượng có thể khác nhau tùy thuộc vào (các) phụ kiện, bao gồm cả hộp pin. Tổ hợp nhẹ nhất và nặng nhất, theo Quy trình EPTA 01/2014, được trình bày trong bảng.

Hộp pin và sạc pin có thể áp dụng

Hộp pin	BL1815N / BL1820B / BL1830B / BL1840B / BL1850B / BL1860B
Bộ sạc	DC18RC / DC18RD / DC18RE / DC18SD / DC18SE / DC18SF / DC18SH / DC18WC



- Một số hộp pin và sạc pin được nêu trong danh sách ở trên có thể không khả dụng tùy thuộc vào khu vực cư trú của bạn.





⚠ CẢNH BÁO: Chỉ sử dụng hộp pin và sạc pin được nêu trong danh sách ở trên. Việc sử dụng bất cứ hộp pin và sạc pin nào khác có thể gây ra thương tích và/hoặc hỏa hoạn.

⚠ CẢNH BÁO: Tuyệt đối không sử dụng Bộ Cấp Nguồn Di Động đeo Vai PDC1200 hoặc PDC01 với sản phẩm này. Sử dụng chung như vậy sẽ gây ra thương tích cá nhân hoặc sự cố hỏng hóc.

Ký hiệu

Phần dưới đây cho biết các ký hiệu có thể được dùng cho thiết bị. Đảm bảo rằng bạn hiểu rõ ý nghĩa của các ký hiệu này trước khi sử dụng.

	Đọc tài liệu hướng dẫn.
	Không đổi hướng trên dốc.

	Không thể sử dụng thiết bị này trên các quãng đường công cộng.
	Trước khi chất hoặc dỡ đồ vật, khóa phanh và bộ phận đỗ.
	Không chất hoặc dỡ đồ vật trên dốc.
	Không sử dụng máy để vận chuyển người.



Không đổ đồ vật trên dốc. Khóa bộ phận đổ sau khi đổ.



Chất đồ vật lên thùng chứa hoặc vành đỡ đồng đều. Không chất đồ vật không đồng đều hoặc chỉ ở phía trước.



Có nguy cơ kẹp và nghiền ép. Luôn giữ tay sạch sẽ trong quá trình vận hành. Không đặt tay hoặc bộ phận cơ thể vào các bộ phận chuyển động.



Tải trọng tối đa: 300 kg trên mặt đất bằng phẳng và 180 kg trên dốc (tối đa 12°).



Không nhìn trực tiếp vào đèn.



Không rửa máy bằng máy xịt rửa áp lực cao cầm tay hoạt động bằng động cơ điện.



Giữ những người xung quanh tránh xa máy trong quá trình vận hành.



Không vận hành máy quanh các bề mặt không bằng phẳng.



Không vận hành máy khi thùng chứa hoặc vành đỡ chưa hoàn toàn được trả về vị trí.



Tháo dây thừng trước khi đổ đồ vật.



Luôn mang giày bảo hộ chống trượt.



Khóa phanh trước khi kéo cần thay đổi số mo ra.



Khóa phanh trước khi trả cần thay đổi số mo về vị trí.



Áp suất không khí: lớp trước 280 kPa và lớp sau 525 kPa.



Đảm bảo cần khóa đã được khóa.



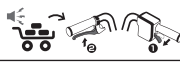
Xoay cần khóa về phía trước của máy để mở khóa bộ phận đổ.



Khi tiếng bíp phát ra, hãy khóa cần phanh.



Khi bạn nhả cần khởi động công tắc, hãy khóa cần phanh.



Để dừng tiếng bíp, nhả cần khởi động công tắc và kéo tay phanh.



Chỉ dành cho các quốc gia EU. Do có các thành phần nguy hiểm bên trong thiết bị điện và điện tử, ắc quy và pin thải bỏ nên có thể có tác động không tốt đến môi trường và sức khỏe con người.

Không vứt bỏ các thiết bị điện và điện tử hoặc pin với rác thải sinh hoạt!

Theo Chỉ thị của Châu Âu về thiết bị điện và điện tử thải bỏ và về pin và ắc quy và pin và ắc quy thải bỏ, cũng như sự thích ứng của chúng với luật pháp quốc gia, các thiết bị điện, pin và ắc quy thải phải được cất giữ riêng biệt và chuyển đến một điểm thu gom rác thải đô thị riêng, hoạt động theo các quy định về bảo vệ môi trường.

Điều này được biểu thị bằng biểu tượng thùng rác có bánh xe gạch chéo được đặt trên thiết bị.



Mức công suất âm thanh được đảm bảo theo Chỉ thị về tiếng ồn ngoài trời của EU.



Mức công suất âm thanh theo Quy định kiểm soát tiếng ồn NSW của Úc.

Mục đích sử dụng

Xe được thiết kế để xếp và vận chuyển đồ vật với hỗ trợ sử dụng pin.

CẢNH BÁO AN TOÀN

Cảnh báo an toàn chung dành cho dụng cụ máy

⚠ CẢNH BÁO Vui lòng đọc tất cả các cảnh báo an toàn, hướng dẫn, minh họa và thông số kỹ thuật đi kèm với dụng cụ máy này. Việc không tuân theo tất cả các hướng dẫn được liệt kê dưới đây có thể dẫn đến điện giật, hỏa hoạn và/hoặc thương tích nghiêm trọng.

Lưu giữ tất cả cảnh báo và hướng dẫn để tham khảo sau này.

Thuật ngữ “dụng cụ máy” trong các cảnh báo đề cập đến dụng cụ máy (có dây) được vận hành bằng nguồn điện chính hoặc dụng cụ máy (không dây) được vận hành bằng pin của bạn.

An toàn tại nơi làm việc

- Giữ nơi làm việc sạch sẽ và có đủ ánh sáng.** Nơi làm việc bừa bộn hoặc tối thường dễ gây ra tai nạn.
- Không vận hành dụng cụ máy trong môi trường cháy nổ, ví dụ như môi trường có sự hiện diện của các chất lỏng, khí hoặc bụi dễ cháy.** Các dụng cụ máy tạo tia lửa điện có thể làm bụi hoặc khí bốc cháy.
- Giữ trẻ em và người ngoài tránh xa nơi làm việc khi đang vận hành dụng cụ máy.** Sự xao lãng có thể khiến bạn mất khả năng kiểm soát.

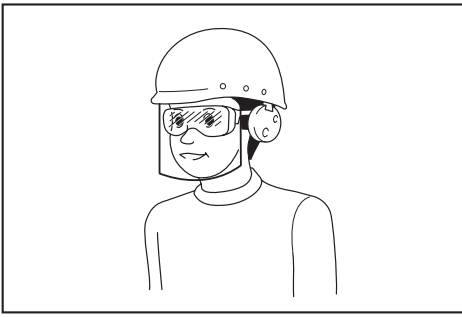
An toàn về Điện

- Phích cắm của dụng cụ máy phải khớp với ổ cắm.** Không được sửa đổi phích cắm theo bất kỳ cách nào. Không sử dụng bất kỳ phích chuyển đổi nào với các dụng cụ máy được nối đất (tiếp đất). Các phích cắm còn nguyên vẹn và ổ cắm phù hợp sẽ giảm nguy cơ điện giật.
- Tránh để cơ thể tiếp xúc với các bề mặt nóng đất hoặc tiếp đất như đường ống, bộ tản nhiệt, bếp ga và tủ lạnh.** Nguy cơ bị điện giật sẽ tăng lên nếu cơ thể bạn được nối đất hoặc tiếp đất.
- Không để dụng cụ máy tiếp xúc với mưa hoặc trong điều kiện ẩm ướt.** Nước lọt vào dụng cụ máy sẽ làm tăng nguy cơ điện giật.
- Không lạm dụng dây điện.** Không được phép sử dụng dây để mang, kéo hoặc tháo phích cắm dụng cụ máy. Giữ dây tránh xa nguồn nhiệt, dầu, các mép sắc hoặc các bộ phận chuyển động. Dây bị hỏng hoặc bị rối sẽ làm tăng nguy cơ điện giật.
- Khi vận hành dụng cụ máy ngoài trời, hãy sử dụng dây kéo dài phù hợp cho việc sử dụng ngoài trời.** Việc dùng dây phù hợp cho việc sử dụng ngoài trời sẽ giảm nguy cơ điện giật.
- Nếu bắt buộc phải vận hành dụng cụ máy ở nơi ẩm ướt, hãy sử dụng nguồn cấp điện được bảo vệ bằng thiết bị ngắt dòng điện rò (RCD).** Việc sử dụng RCD sẽ làm giảm nguy cơ điện giật.

- Các dụng cụ máy có thể tạo ra từ trường điện (EMF) có hại cho người dùng.** Tuy nhiên, người dùng máy trợ tim và những thiết bị y tế tương tự khác nên liên hệ với nhà sản xuất thiết bị và/hoặc bác sỹ để được tư vấn trước khi vận hành dụng cụ này.

An toàn Cá nhân

- Luôn tỉnh táo, quan sát những việc bạn đang làm và sử dụng những phán đoán theo kinh nghiệm khi vận hành dụng cụ máy. Không sử dụng dụng cụ máy khi bạn đang mệt mỏi hoặc chịu ảnh hưởng của ma túy, rượu hay thuốc.** Chỉ một khoảnh khắc không tập trung khi đang vận hành dụng cụ máy cũng có thể dẫn đến thương tích cá nhân nghiêm trọng.
- Sử dụng thiết bị bảo hộ cá nhân.** Luôn đeo thiết bị bảo vệ mắt. Các thiết bị bảo hộ như mặt nạ chống bụi, giày an toàn chống trượt sử dụng trong các điều kiện thích hợp sẽ giúp giảm thương tích cá nhân.
- Tránh vô tình khởi động dụng cụ máy. Đảm bảo công tắc ở vị trí off (tắt) trước khi nối nguồn điện và/hoặc bộ pin, cầm hoặc di chuyển dụng cụ máy.** Việc di chuyển dụng cụ máy khi đang đặt ngón tay ở vị trí công tắc hoặc cấp điện cho dụng cụ máy đang bật thường dễ gây ra tai nạn.
- Tháo tất cả các khóa hoặc cờ lê điều chỉnh trước khi bật dụng cụ máy.** Việc cờ lê hoặc khóa vẫn còn gắn vào bộ phận quay của dụng cụ máy có thể dẫn đến thương tích cá nhân.
- Không vớ quá cao. Luôn giữ thăng bằng tốt và có chỗ để chân phù hợp.** Điều này cho phép điều khiển dụng cụ máy tốt hơn trong những tình huống bất ngờ.
- Ăn mặc phù hợp. Không mặc quần áo rộng hay đeo đồ trang sức. Giữ tóc và quần áo tránh xa các bộ phận chuyển động.** Quần áo rộng, đồ trang sức hay tóc dài có thể mắc vào các bộ phận chuyển động.
- Nếu các thiết bị được cung cấp để kết nối các thiết bị thu gom và hút bụi, hãy đảm bảo chúng được kết nối và sử dụng hợp lý.** Việc sử dụng thiết bị thu gom bụi có thể làm giảm những mối nguy hiểm liên quan đến bụi.
- Không vì quen thuộc do thường xuyên sử dụng các dụng cụ mà cho phép bạn trở nên tự mãn và bỏ qua các nguyên tắc an toàn dụng cụ.** Một hành động bất cẩn có thể gây ra thương tích nghiêm trọng trong một phần của một giây.
- Luôn luôn mang kính bảo hộ để bảo vệ mắt khỏi bị thương khi đang sử dụng các dụng cụ máy. Kính bảo hộ phải tuân thủ ANSI Z87.1 ở Mỹ, EN 166 ở Châu Âu, hoặc AS/NZS 1336 ở Úc/New Zealand. Tại Úc/New Zealand, theo luật pháp, bạn cũng phải mang mặt nạ che mặt để bảo vệ mặt.**



Trách nhiệm của chủ lao động là bắt buộc người vận hành dụng cụ và những người khác trong khu vực làm việc cạnh đó phải sử dụng các thiết bị bảo hộ an toàn thích hợp.

Sử dụng và bảo quản dụng cụ máy

- Không dùng lực đối với dụng cụ máy.** Sử dụng đúng dụng cụ máy cho công việc của bạn. Sử dụng đúng dụng cụ máy sẽ giúp thực hiện công việc tốt hơn và an toàn hơn theo giá trị định mức được thiết kế của dụng cụ máy đó.
- Không sử dụng dụng cụ máy nếu công tắc không bật và tắt được dụng cụ máy đó.** Mọi dụng cụ máy không thể điều khiển được bằng công tắc đều rất nguy hiểm và phải được sửa chữa.
- Rút phích cắm ra khỏi nguồn điện và/hoặc tháo kết nối bộ pin khỏi dụng cụ máy, nếu có thể tháo rời trước khi thực hiện bất kỳ công việc điều chỉnh, thay đổi phụ tùng hay cất giữ dụng cụ máy nào.** Những biện pháp an toàn phòng ngừa này sẽ giảm nguy cơ vô tình khởi động dụng cụ máy.
- Cất giữ các dụng cụ máy không sử dụng ngoài tầm với của trẻ em và không cho bất kỳ người nào không có hiểu biết về dụng cụ máy hoặc các hướng dẫn này vận hành dụng cụ máy.** Dụng cụ máy sẽ rất nguy hiểm nếu được sử dụng bởi những người dùng chưa qua đào tạo.
- Bảo dưỡng dụng cụ máy và các phụ kiện.** Kiểm tra tình trạng lệch trục hoặc bó kẹt của các bộ phận và mọi tình trạng khác mà có thể ảnh hưởng đến hoạt động của dụng cụ máy. Nếu có hỏng hóc, hãy sửa chữa dụng cụ máy trước khi sử dụng. Nhiều tai nạn xảy ra là do không bảo quản tốt dụng cụ máy.
- Luôn giữ cho dụng cụ cất được sắc bén và sạch sẽ.** Những dụng cụ cất được bảo quản tốt có mép cắt sắc sẽ ít bị kẹt hơn và dễ điều khiển hơn.
- Sử dụng dụng cụ máy, phụ tùng và đầu dụng cụ cắt, v.v... theo các hướng dẫn này, có tính đến điều kiện làm việc và công việc được thực hiện.** Việc sử dụng dụng cụ máy cho các công việc khác với công việc dự định có thể gây nguy hiểm.
- Giữ tay cầm và bề mặt tay cầm khô, sạch, không dính dầu và mỡ.** Tay cầm trơn trượt và bề mặt tay cầm không cho phép xử lý an toàn và kiểm soát dụng cụ trong các tình huống bất ngờ.

- Khí sử dụng dụng cụ, không được đi gang tay lao động bằng vải, có thể bị vướng.** Việc gang tay lao động bằng vải vướng vào các bộ phận chuyển động có thể gây ra thương tích cá nhân.

Sử dụng và bảo quản dụng cụ dùng pin

- Chỉ sạc pin lại với bộ sạc do nhà sản xuất quy định.** Bộ sạc phù hợp với một loại bộ pin này có thể gây ra nguy cơ hỏa hoạn khi được dùng cho một bộ pin khác.
- Chỉ sử dụng các dụng cụ máy với các bộ pin được quy định cụ thể.** Việc sử dụng bất cứ bộ pin nào khác có thể gây ra thương tích và hỏa hoạn.
- Khí không sử dụng bộ pin, hãy giữ tránh xa các đồ vật khác bằng kim loại, chẳng hạn như kẹp giấy, tiền xu, chìa khóa, đinh, ốc vít hoặc các vật nhỏ bằng kim loại mà có thể làm nối tắt các đầu cực pin.** Các đầu cực pin bị đoản mạch có thể gây cháy hoặc hỏa hoạn.
- Trong điều kiện sử dụng quá mức, pin có thể bị cháy nước; hãy tránh tiếp xúc.** Nếu vô tình tiếp xúc với pin bị cháy nước, hãy rửa sạch bằng nước. Nếu dung dịch từ pin tiếp xúc với mắt, cần đi khám bác sĩ thêm. Dung dịch chảy ra từ pin có thể gây rất da hoặc bỏng.
- Không sử dụng bộ pin hoặc dụng cụ bị hư hỏng hoặc đã bị sửa đổi.** Pin đã bị hư hỏng hoặc đã bị sửa đổi có thể hành động theo cách không thể đoán trước dẫn đến cháy, nổ hoặc nguy cơ chấn thương.
- Không để bộ pin hoặc dụng cụ tiếp xúc với lửa hoặc nhiệt độ quá cao.** Tiếp xúc với lửa hoặc nhiệt độ trên 130 °C có thể gây ra cháy nổ.
- Làm theo tất cả các hướng dẫn sạc pin và không dùng sạc bộ pin hoặc dụng cụ vượt giới hạn nhiệt độ quy định trong hướng dẫn.** Sạc pin không đúng hoặc ở nhiệt độ vượt giới hạn nhiệt độ có thể gây hư hỏng cho pin và làm tăng nguy cơ cháy.

Bảo dưỡng

- Đề nghị viên sửa chữa đủ trình độ bảo dưỡng dụng cụ máy của bạn và chỉ sử dụng các bộ phận thay thế đồng nhất.** Việc này sẽ đảm bảo duy trì được độ an toàn của dụng cụ máy.
- Không bao giờ sử dụng bộ pin đã hỏng.** Dịch vụ bảo hành bộ pin chỉ nên thực hiện bởi nhà sản xuất hoặc các nhà cung cấp dịch vụ được ủy quyền.
- Tuân theo hướng dẫn dành cho việc bôi trơn và thay phụ tùng.**

Cảnh báo an toàn đối với xe vận chuyển hàng hóa hoạt động bằng pin

- Khí vận hành máy luôn mang giày bảo hộ chống trượt.** Mang giày và ủng bảo hộ mũi bít và chống trượt sẽ làm giảm nguy cơ chấn thương.
- Kiểm tra đường vận chuyển trước khi kéo các đồ vật/nguyên vật liệu.** Làm quen với đường vận chuyển và đảm bảo đường đủ rộng để giữ an toàn khi vận hành xe đã tải đồ vật nhằm tránh mất kiểm soát.

3. **Hết sức cẩn trọng khi gặp địa hình trơn, lún và không ổn định.** Các loại bề mặt ẩm ướt và trơn trượt như bãi cỏ hoặc băng tuyết, các địa hình lún và không ổn định như cát hoặc sỏi, có thể gây giảm lực kéo và ảnh hưởng đến bánh lái, thắng và tính ổn định của xe.
 4. **Không chạy xe trên dốc quá cao.** Điều này giúp giảm nguy cơ mất kiểm soát, trượt và rơi dẫn đến gây thương tích cho con người. Các dốc có độ dốc và kích thước lớn hơn mức khuyến cáo có thể làm tăng nguy cơ mất cân bằng và ảnh hưởng tới khả năng dừng xe một cách an toàn.
 5. **Khi làm việc trên các đoạn dốc, luôn bảo đảm bước chân và giữ xe ngang theo bề mặt dốc, không bao giờ hướng lên hoặc xuống, và thực hiện đúng theo các lưu ý cẩn trọng khi cần chuyển hướng.** Điều này giúp giảm nguy cơ mất kiểm soát, trượt và rơi dẫn đến gây thương tích cho con người.
 6. **Khi có thể, hãy dừng xe, xếp và dỡ đồ vật ở khu vực bằng phẳng, và không bao giờ để xe trên dốc mà không giám sát.** Khi dừng trên dốc, xe sẽ không ổn định như khi dừng trên bề mặt bằng phẳng.
 7. **Khi không sử dụng, cài phanh xe ở chế độ dừng khi xe dừng ở khu vực an toàn.** Phanh xe ở chế độ dừng giúp tránh bánh trước di chuyển ngoài ý muốn và tăng độ ổn định.
 8. **Đảm bảo đoạn dốc phải sạch sẽ, chắc chắn và an toàn.** Để giảm nguy cơ chấn thương, tất cả đoạn dốc phải được dọn dẹp gạch đá và đủ chắc chắn để chịu được khối lượng của đồ vật sắp vận chuyển qua. Đồ vật phải được nẹp chặt phía dưới và hai bên để tránh bị lệch và chuyển dời qua lại khi vận chuyển. Tất cả đoạn dốc phải đủ rộng để đảm bảo đặt chân chắc chắn khi kéo vật qua.
 9. **Đảm bảo khóa chặt tất cả các vít trước khi sử dụng.** Khóa vít trên các bánh sau và đảm bảo cố định chắc các vách phía trước và hai bên của giá đỡ loại mở để tránh các di chuyển ngoài ý muốn của các bộ phận có thể điều chỉnh trên xe.
 10. **Không bao giờ sử dụng xe để vận chuyển quá tải.** Đảm bảo rằng xe đã được đánh giá đúng khả năng vận chuyển các đồ vật hoặc nguyên vật liệu cần tải. Chặt quá tải trọng sẽ khiến việc di chuyển và dừng xe gặp khó khăn, làm tăng thời gian và khoảng cách dừng, và tăng nguy cơ mất cân bằng.
 11. **Không bao giờ sử dụng xe để vận chuyển quá tải.** Xếp chồng nguyên vật liệu lên vành máng đựng hoặc lớn hơn máng đựng có thể làm xe mất cân bằng và mất kiểm soát xe.
 12. **Dùng thùng đựng hoặc dây ràng để cố định vật tải.** Việc các đồ chất lên rời rạc và/hoặc không chắc chắn có khả năng làm đồ vật bị chuyển dịch dẫn đến mất ổn định và mất kiểm soát xe.
 13. **Luôn giữ tay cầm vững chắc.** Mất kiểm soát sẽ khiến tăng nguy cơ chấn thương cho con người.
 14. **Rút chìa khóa an toàn khi không sử dụng.** Chìa khóa an toàn giúp tránh các vận hành xe ngoài ý muốn, chẳng hạn xe bị trẻ em hoặc những người chưa được huấn luyện hoặc giao quyền sử dụng. Nếu không có chìa khóa, nguồn điện không thể được "bật".
 15. **Không thể sử dụng máy này trên các quãng đường công cộng.** Việc sử dụng xe vận chuyển hàng hóa trên đường công cộng là phi pháp và có thể dẫn đến các hình phạt tại địa phương, ngoài ra nó có thể dẫn đến thương tích cá nhân.
 16. **Sử dụng một tấm cứng có chức năng chống trượt và chống tháo rời khi xếp và dỡ đồ vật trên xe để vận chuyển, hoặc di chuyển thiết bị này giữa các mặt phẳng khác nhau.** Đảm bảo rằng độ nghiêng của tấm không quá 12°, vận hành thiết bị từ từ và cẩn thận. Vận hành nhanh và không ổn định có thể làm thiết bị bị lật và/hoặc rơi.
 17. **Không tháo rời, sửa chữa, hoặc sửa đổi thiết bị này.**
- Chuẩn bị**
1. Trước khi vận hành máy, đảm bảo rằng không có người xung quanh máy.
 2. Trước khi vận hành máy, thực hiện việc kiểm tra bằng cách tham khảo phần bảo dưỡng.
- Vận hành**
1. Khi vận hành máy, hãy đứng sau máy và giữ chặt tay cầm bằng cả hai tay.
 2. Không vận hành xe khi đang ngồi trên xe.
 3. Không cho phép người khác ngồi xe trên xe.
 4. Khi vận hành máy ngược và đi lùi, quan sát phía sau và chú ý bước chân của bạn, và cẩn thận để không trượt hoặc vấp.
 5. Không sử dụng xe khi tầm nhìn kém vì có nguy cơ va vào chướng ngại vật.
 6. Khi vận hành máy trên mặt đất gồ ghề hoặc vượt qua độ chênh lệch mức của đường, hãy giảm tốc độ và cẩn trọng.
 7. Khi vận hành xe, tránh nền đất mềm để phòng lật xe do lè đường bị lún.
 8. Không vận hành xe trên các dốc lớn hơn 12°.
 9. Nếu bạn thấy bất thường, hãy dừng máy trên bề mặt bằng phẳng. Trước khi kiểm tra máy, hãy khóa cần phanh, sau đó tắt nguồn.
 10. Trước khi vận hành máy, đảm bảo rằng tay cầm của bộ phận đỡ đã được kéo xuống hết mức và được khóa hoàn toàn. Nếu khóa không hoàn toàn, sẽ có thể dẫn tới nguy cơ gây tai nạn hay chấn thương khi vành đỡ hoặc thùng chứa bị nghiêng và đồ vật rơi khi xuống dốc.
 11. Khi vận hành máy ở gần tường, hãy cẩn thận không để tay bị kẹt giữa tay cầm và tường.
 12. Không sử dụng máy trong điều kiện thời tiết xấu, đặc biệt là khi có nguy cơ sấm sét. Việc này sẽ làm giảm đáng nguy cơ bị sét đánh.
 13. Không chạm vào các bộ phận kim loại trong quá trình sử dụng hoặc sau khi sử dụng vì chúng có thể đủ nóng để gây bỏng do ánh nắng mặt trời.
 14. Cẩn thận không để vương dây vào đồ vật hoặc chướng ngại.
 15. Khi băng qua cầu gỗ, v.v..., hãy đảm bảo tổng khối lượng sàn phẩm, tải trọng và cân nặng của người vận hành không vượt quá giới hạn khối lượng của cầu và băng qua cầu một cách cẩn thận với tốc độ không đổi.

16. **Đeo găng tay khi vận hành máy trong môi trường nhiệt độ thấp.** Chạm vào bộ phận kim loại bằng tay trần có thể làm tay bạn bị dính.
17. **Nếu có người hoặc chướng ngại vật trong hướng đi chuyên, hãy tránh chúng trước.**
18. **Không xúc đồ vật trực tiếp bằng vành đỡ và thùng chứa.** Làm như vậy có thể làm hỏng máy và gây ra tai nạn.
19. **Khi bạn sử dụng máy trên mặt đất bùn lầy, sườn dốc ẩm ướt, hoặc nơi trơn trượt, hãy chú ý đến chỗ để chân của bạn.**
20. **Không nhúng máy vào vùng nước.**
21. **Khi bạn rời khỏi máy trong khi làm việc, hãy đảm bảo đưa bộ phận đỡ hoàn toàn về vị trí ban đầu, và khóa cần phanh và rút chìa khóa ra.**
22. **Không để máy không có người giám sát trong khi đồ vật đang được xếp trên giá đỡ hoặc thùng chứa.**

Hoạt động trên dốc

1. **Không băng ngang các dốc.**
2. **Dừng lại trước dốc xuống, đảm bảo giảm tốc độ và cần trọng.**
3. **Nếu tốc độ quá nhanh khi đi dốc xuống thì tiếng bíp sẽ phát ra. Trong trường hợp này, hãy giảm tốc độ bằng cách sử dụng phanh.**
4. **Cần trọng khi khởi động hoặc dừng xe trên dốc.**
5. **Bởi vì đồ vật trở nên ít ổn định hơn khi ở trên dốc nên phải cố định đồ vật chắc chắn bằng dây buộc.**
6. **Khi xe không ổn định do điều kiện đường, hãy vận chuyển đồ vật ở mức khối lượng tối thiểu.**
7. **Khi tầm nhìn bị che khuất trên dốc, giữ độ cao đồ vật ở mức tối thiểu.**
8. **Tuyệt đối không dừng máy trên dốc. Dừng máy trên mặt đất bằng phẳng và khóa cần phanh, sau đó tắt nguồn.**
9. **Không đổi hướng hoặc chế độ tốc độ trên sườn dốc.**
10. **Không nhả cần khởi động công tắc khi đang ở đường dốc lên. Xe có thể đi lùi và gây ra tai nạn.**
11. **Đảm bảo dung lượng pin còn lại đủ sử dụng trước khi di chuyển trên dốc. Nếu dung lượng pin còn lại không đủ, sạc pin hay thay thế bằng một pin khác đã sạc đầy.**
12. **Khi khởi động máy trên dốc, không đặt chân của bạn phía sau bánh sau vì máy sẽ di chuyển lùi lại vài centimet.**

Xếp đồ vật lên xe

1. **Không xếp đồ vật quá tải trọng xe. Khi xếp đồ vật lên xe, hãy đảm bảo việc tuân theo các hướng dẫn và giới hạn tải trọng trong hướng dẫn.**
2. **Vì tải càng lớn thì càng khó vận hành máy, nên hãy giữ tải trong phạm vi không ảnh hưởng đến việc vận hành.**
3. **Cố định chắc chắn đồ vật bằng dây ràng.**
4. **Đặt đồ vật phía trong giá đỡ và thùng chứa.** Nếu các đồ vật nhô ra khỏi giá đỡ và thùng chứa, sẽ có nguy cơ xảy ra tai nạn do đồ vật rơi xuống hoặc va chạm với các chướng ngại như tường.

5. **Hãy đảm bảo đồ vật xếp lên xe chỉ tới độ cao dưới tầm mắt.** Việc xếp đồ quá cao sẽ nguy hiểm do tầm nhìn bị che khuất. Hơn nữa, điều này còn dẫn tới nguy cơ làm xe bị lật nhào và gây thương tích do đồ xếp lên xe có thể mất cân bằng.
6. **Xếp đặt đồ vật cân đối phía trong giá đỡ và thùng chứa.** Việc đồ vật được xếp đặt không đều sẽ dẫn tới nguy cơ máy bị lật nhào và gây thương tích do đồ xếp lên máy có thể mất cân bằng.
7. **Trước khi chất đồ vật hoặc vận hành máy, hãy đảm bảo tay cầm của bộ phận đỡ được kéo xuống hết mức và được khóa hoàn toàn.**
8. **Hãy chắc chắn xếp vật nặng trước để giữ cân bằng.**
9. **Không mở rộng các thanh ray phía trước và bên cạnh trên sườn dốc. Mở rộng các thanh ray bên khi xếp đặt các vật nhẹ.**
10. **Khi mở rộng các thanh ray phía trước và bên cạnh, không được mở rộng quá giới hạn mở rộng. Đảm bảo mở rộng các thanh ray bên sao cho cả bên phải và bên trái đều có cùng chiều dài để việc xếp đặt đồ vật được cân đối.**
11. **Hãy chất và dỡ đồ vật trên mặt đất bằng phẳng. Tuyệt đối không chất hoặc dỡ đồ vật trên dốc.**
12. **Khi nâng và nghiêng giá đỡ và thùng chứa, hãy giữ vững tay cầm và khung, đồng thời làm việc ở một tư thế ổn định.**

Vận chuyển máy

1. **Sử dụng ray thang dài gấp ít nhất 4 lần chiều cao của thùng xe, có đồ gá phù hợp cho thùng xe, với bề mặt chống trượt và đủ rộng, có khả năng chịu được khối lượng của máy và người vận hành. Đọc kỹ tài liệu hướng dẫn của ray thang trước khi sử dụng.**
2. **Trước khi chất tải máy, dỡ tất cả đồ vật ra khỏi máy, loại bỏ bùn và các mảnh vụn khác ra khỏi lớp. Lắp đặt ray thang trên bề mặt phẳng và ổn định.**
3. **Trước khi chất tải hoặc dỡ máy, đảm bảo không có người xung quanh máy và ray thang. Chất tải hoặc dỡ máy ở tốc độ thấp, cẩn thận để máy không rơi ra khỏi ray thang, và không làm đầu của bạn và vào trần của xe tải. Đặc biệt cẩn trọng khi chất tải hoặc dỡ máy về phía sau.**
4. **Khi vận chuyển máy, hãy khóa cần phanh, tắt nguồn, tháo pin và chìa khóa, rồi cố định máy một cách chắc chắn.**

Bảo dưỡng và cất giữ

1. **Trước khi cất giữ hoặc cố gắng thực hiện kiểm tra hay bảo dưỡng, luôn đảm bảo đã dừng máy trên mặt đất bằng phẳng và khóa cần phanh, tắt máy, đồng thời tháo chìa khóa và hộp pin.**
2. **Không để máy ngoài trời mà không có người giám sát dưới trời mưa.**
3. **Khi cất giữ máy, tránh ánh nắng trực tiếp và mưa, cất giữ ở nơi không nóng hoặc ẩm ướt.**
4. **Máy này được trang bị bộ thủy lực ở mặt dưới của bộ phận đỡ để tự động nghiêng bộ phận đỡ. Không được sửa đổi bộ thủy lực, hoặc không nơi lỏng các bu lông lắp ráp của thiết bị hoặc định ốc điều chỉnh của van xả. Việc này rất nguy hiểm vì có thể gây tai nạn hoặc trục trặc.**

Sử dụng và bảo quản dụng cụ dùng pin

1. **Chỉ sạc pin lại với bộ sạc do nhà sản xuất quy định.** Bộ sạc phù hợp với một loại bộ pin này có thể gây ra nguy cơ hỏa hoạn khi được dùng cho một bộ pin khác.
2. **Chỉ sử dụng các dụng cụ máy với các bộ pin được quy định cụ thể.** Việc sử dụng bất cứ bộ pin nào khác có thể gây ra thương tích và hỏa hoạn.
3. **Khi không sử dụng bộ pin, hãy giữ tránh xa các đồ vật khác bằng kim loại, chẳng hạn như kẹp giấy, tiền xu, chìa khóa, đinh, ốc vít hoặc các vật nhỏ bằng kim loại mà có thể làm nối tắt các đầu cực pin.** Các đầu cực pin bị đoản mạch có thể gây cháy hoặc hỏa hoạn.
4. **Trong điều kiện sử dụng quá mức, pin có thể bị chảy nước; hãy tránh tiếp xúc.** Nếu vô tình tiếp xúc với pin bị chảy nước, hãy rửa sạch bằng nước. Nếu dung dịch từ pin tiếp xúc với mắt, cần đi khám bác sĩ thêm. Dung dịch chảy ra từ pin có thể gây rát da hoặc bỏng.
5. **Không sử dụng bộ pin hoặc dụng cụ bị hư hỏng hoặc đã bị sửa đổi.** Pin đã bị hư hỏng hoặc đã bị sửa đổi có thể hành động theo cách không thể đoán trước dẫn đến cháy, nổ hoặc nguy cơ chấn thương.
6. **Không để bộ pin hoặc dụng cụ tiếp xúc với lửa hoặc nhiệt độ quá cao.** Tiếp xúc với lửa hoặc nhiệt độ trên 130 °C có thể gây ra cháy nổ.
7. **Làm theo tất cả các hướng dẫn sạc pin và không được sạc bộ pin hoặc dụng cụ vượt giới hạn nhiệt độ quy định trong hướng dẫn.** Sạc pin không đúng hoặc ở nhiệt độ vượt giới hạn nhiệt độ có thể gây hư hỏng cho pin và làm tăng nguy cơ cháy.

An toàn về điện và pin

1. **Không thái bỏ (các) viên pin vào lửa.** Viên pin có thể phát nổ. Kiểm tra bằng mã địa phương để biết hướng dẫn thái bỏ đặc biệt nếu có.
2. **Không mở hay cắt xén (các) viên pin.** Chất điện phân thái ra có tính ăn mòn và có thể gây tổn thương cho mắt hoặc da. Có thể độc hại nếu nuốt phải.
3. **Không sạc pin trong mưa, hoặc nơi ẩm ướt.**
4. **Không sạc pin ở ngoài trời.**
5. **Không thao tác bộ sạc, bao gồm phích cắm của bộ sạc, và điện cực của bộ sạc bằng tay ướt.**
6. **Không thay pin dưới trời mưa.**
7. **Không làm ướt điện cực của pin bằng chất lỏng ví dụ như nước, hoặc nhấn chìm pin.** Không để pin dưới trời mưa, không sạc, sử dụng, hoặc cất giữ pin ở nơi ẩm hoặc ướt. Nếu điện cực bị ướt hoặc có chất lỏng lọt vào bên trong pin, pin có thể bị đoản mạch và có nguy cơ quá nhiệt, cháy hoặc nổ.
8. **Sau khi tháo pin ra khỏi máy hoặc bộ sạc, hãy đảm bảo đã gắn nắp đậy pin vào pin và cất giữ ở nơi khô ráo.**
9. **Không thay pin bằng tay ướt.**
10. **Tránh môi trường nguy hiểm. Không sử dụng máy tại những nơi ẩm thấp hoặc ẩm ướt hay dễ chúng tiếp xúc với mưa.** Nước lọt vào máy sẽ làm tăng nguy cơ điện giật.

11. **Nếu hộp pin bị ướt, xả nước bên trong hộp pin sau đó lau bằng vải khô.** Làm khô hộp pin hoàn toàn ở nơi khô ráo trước khi sử dụng.

LƯU GIỮ CÁC HƯỚNG DẪN NÀY.

⚠ CẢNH BÁO: KHÔNG vì đã thoải mái hay quen thuộc với sản phẩm (có được do sử dụng nhiều lần) mà không tuân thủ nghiêm ngặt các quy định về an toàn dành cho sản phẩm này. **VIỆC DÙNG SAI** hoặc không tuân theo các quy định về an toàn được nêu trong tài liệu hướng dẫn này có thể dẫn đến thương tích cá nhân nghiêm trọng.

Hướng dẫn quan trọng về an toàn dành cho hộp pin

1. **Trước khi sử dụng hộp pin, hãy đọc kỹ tất cả các hướng dẫn và dấu hiệu cảnh báo trên (1) bộ sạc pin, (2) pin và (3) sản phẩm sử dụng pin.**
2. **Không tháo rời hoặc làm thay đổi hộp pin.** Việc này có thể dẫn đến hỏa hoạn, quá nhiệt hoặc nổ.
3. **Nếu thời gian vận hành ngắn hơn quá mức, hãy ngừng vận hành ngay lập tức.** Điều này có thể dẫn đến rùi ro quá nhiệt, có thể gây bỏng và thậm chí là nổ.
4. **Nếu chất điện phân rơi vào mắt, hãy rửa sạch bằng nước sạch và đến cơ sở y tế ngay lập tức.** Chất này có thể khiến bạn giảm thị lực.
5. **Không để hộp pin ở tình trạng đoản mạch:**
 - (1) Không chạm vào cực pin bằng vật liệu dẫn điện.
 - (2) Tránh cất giữ hộp pin trong hộp có các vật kim loại khác như đinh, tiền xu, v.v...
 - (3) Không được để hộp pin tiếp xúc với nước hoặc mưa.**Đoán mạch pin có thể gây ra dòng điện lớn, quá nhiệt, có thể gây bỏng và thậm chí là hỏng hóc.**
6. **Không cất giữ cũng như sử dụng dụng cụ và hộp pin ở nơi nhiệt độ có thể lên tới hoặc vượt quá 50 °C (122 °F).**
7. **Không đốt hộp pin ngay cả khi hộp pin đã bị hư hại nặng hoặc hư hỏng hoàn toàn.** Hộp pin có thể nổ khi tiếp xúc với lửa.
8. **Không đóng đinh, cắt, nghiền nát, ném, làm rơi hộp pin hoặc va vật cứng vào hộp pin.** Làm như thế có thể dẫn đến hỏa hoạn, quá nhiệt hoặc nổ.
9. **Không sử dụng pin đã hỏng.**
10. **Pin nén lithium-ion là đối tượng có yêu cầu bắt buộc theo Luật Hàng hoá Nguy hiểm.** Đối với vận tải thương mại, ví dụ như vận tải do bên thứ ba, đại lý giao nhận, thì yêu cầu đặc biệt về đóng gói và nhãn ghi phải được giám sát. Để chuẩn bị cho mặt hàng cần vận chuyển, cần phải tham khảo ý kiến chuyên gia về vật liệu nguy hiểm. Nếu được, vui lòng tuân thủ các quy định quốc gia chi tiết hơn. Buộc hoặc niêm phong các tiếp điểm mở và đóng gói pin theo cách đó để nó không thể di chuyển trong bao bì.

11. Khi rút bỏ hộp pin, hãy tháo chúng khỏi dụng cụ và thải bỏ ở nơi an toàn. Phải tuân thủ theo các quy định của địa phương liên quan đến việc thải bỏ pin.
12. Chỉ sử dụng pin cho các sản phẩm Makita chỉ định. Lắp pin vào sản phẩm không thích hợp có thể gây ra hoả hoạn, quá nhiệt, nổ, hoặc rò chất điện phân.
13. Nếu dụng cụ không được sử dụng trong một thời gian dài, cần phải tháo pin ra khỏi dụng cụ.
14. Trong và sau khi sử dụng, hộp pin có thể bị nóng, có thể gây bỏng hoặc bỏng ở nhiệt độ thấp. Chú ý xử lý hộp pin nóng.
15. Không chạm vào điện cực của dụng cụ ngay sau khi sử dụng vì điện cực đủ nóng để gây bỏng.
16. Không để vụn bào, bụi hoặc đất bám vào các điện cực, lỗ và rãnh của hộp pin. Điều này có thể làm nóng, bắt lửa, nổ và gây trục trặc cho dụng cụ hoặc hộp pin, dẫn đến bỏng hoặc thương tích cá nhân.
17. Trừ khi dụng cụ hỗ trợ sử dụng gần đường dây điện cao thế, không sử dụng hộp pin gần đường dây điện cao thế. Việc này có thể dẫn đến trục trặc hoặc hỏng hóc dụng cụ hay hộp pin.
18. Giữ pin tránh xa trẻ em.

LƯU GIỮ CÁC HƯỚNG DẪN NÀY.

⚠ THẬN TRỌNG: Chỉ sử dụng pin Makita chính hãng. Việc sử dụng pin không chính hãng Makita, hoặc pin đã được sửa đổi, có thể dẫn đến nổ pin gây ra cháy, thương tích và thiệt hại cá nhân. Nó cũng sẽ làm mất hiệu lực bảo hành của Makita dành cho dụng cụ của Makita và bộ sạc.

Mẹo duy trì tuổi thọ tối đa cho pin

1. Sạc hộp pin trước khi pin bị xả điện hoàn toàn. Luôn dừng việc vận hành dụng cụ và sạc pin khi bạn nhận thấy công suất dụng cụ bị giảm.
2. Không được phép sạc lại một hộp pin đã được sạc đầy. Sạc quá mức sẽ làm giảm tuổi thọ của pin.
3. Sạc pin ở nhiệt độ phòng 10°C - 40°C. Để cho hộp pin nóng nguội lại dần trước khi sạc pin.
4. Khi không sử dụng hộp pin, hãy tháo hộp pin ra khỏi dụng cụ hoặc bộ sạc.
5. Sạc pin sáu tháng một lần nếu bạn không sử dụng dụng cụ trong một thời gian dài (hơn sáu tháng).

MÔ TẢ CÁC BỘ PHẬN

Khi có lắp đặt thùng chứa

► Hình1

1	Công tắc độ nghiêng	2	Bảng điều khiển	3	Nút tiếng bíp	4	Cần khởi động công tắc
5	Đèn sau	6	Tay cầm	7	Ngăn chứa pin	8	Cần phanh
9	Bánh sau	10	Khóa bánh sau	11	Cần khóa	12	Bộ phận đỡ
13	Bánh trước	14	Đèn trước	15	Thùng chứa	-	-

Khi có lắp đặt vành đỡ

► Hình2

1	Công tắc độ nghiêng	2	Bảng điều khiển	3	Nút tiếng bíp	4	Cần khởi động công tắc
5	Đèn sau	6	Tay cầm	7	Ngăn chứa pin	8	Cần phanh
9	Bánh sau	10	Khóa bánh sau	11	Cần khóa	12	Bánh trước
13	Đèn trước	14	Giá đỡ	-	-	-	-

LẮP RÁP

⚠ THẬN TRỌNG: Luôn đảm bảo đã tắt máy và tháo hộp pin ra trước khi thực hiện bất kỳ công việc nào trên máy.

Trước khi lắp hoặc tháo giá đỡ và thùng chứa, hãy chắc chắn khóa cần phanh. Để khóa cần phanh, kéo và giữ cần phanh, sau đó kéo cần khóa, rồi nhả cần phanh trong khi kéo cần khóa.

► **Hình3:** 1. Cần phanh 2. Cần khóa

Lắp hoặc tháo thùng chứa

Lắp thùng chứa

1. Lấy thùng chứa, giằng néo và ống trước ra khỏi hộp.

► **Hình4:** 1. Thùng chứa 2. Giằng néo 3. Ống trước

2. Lắp ống trước giữa khung trên và khung dưới của bộ phận đỡ.

► **Hình5:** 1. Ống trước

3. Đặt giằng néo trên bộ phận đỡ, rồi tạm thời vặn chặt các bu-lông cùng với ống trước. Lắp giằng néo còn lại vào bộ phận đỡ theo cách giống như vậy.

► **Hình6:** 1. Giằng néo 2. Bu-lông

4. Đặt thùng chứa trên ống trước và giằng néo bên trái và bên phải.

Đặt vòng đệm cao su vào lỗ của thùng chứa và lắp bu-lông từ phía trên. Lần lượt gắn vòng đệm dẹt và vòng đệm lò xo vào bu-lông, sau đó vặn chặt đai ốc từ phía dưới. Vặn chặt phần còn lại của các bu-lông và đai ốc theo cách giống như vậy.

► **Hình7:** 1. Bu-lông 2. Vòng đệm cao su 3. Vòng đệm dẹt 4. Vòng đệm đàn hồi 5. Đai ốc

5. Vặn chặt 4 bu-lông được tạm thời vặn chặt ở bước 3.

Tháo thùng chứa

Để tháo thùng chứa, hãy làm ngược lại quy trình lắp vào.

Lắp hoặc tháo vành đỡ

Phụ kiện tùy chọn

Lắp vành đỡ

1. Lấy vành đỡ ra khỏi hộp, rồi gắn các thanh ray bên hông và thanh ray trước vào khung đế.

► **Hình8**

2. Vặn chặt 6 đai ốc có tai vặn cùng với lò xo và vòng đệm để cố định các thanh ray.

► **Hình9:** 1. Đai ốc có tai vặn 2. Lò xo 3. Vòng đệm

3. Đặt vành đỡ trên bộ phận đỡ.

Lắp bu-lông từ phía trên. Lần lượt gắn vòng đệm dẹt và vòng đệm lò xo vào bu-lông, sau đó vặn chặt đai ốc từ phía dưới. Vặn chặt phần còn lại của các bu-lông và đai ốc theo cách giống như vậy.

► **Hình10:** 1. Bu-lông 2. Vòng đệm dẹt 3. Vòng đệm đàn hồi 4. Đai ốc

Tháo vành đỡ

Để tháo vành đỡ, hãy làm ngược lại quy trình lắp vào.

MÔ TẢ CHỨC NĂNG

⚠THẬN TRỌNG: Luôn đảm bảo rằng đã tắt công tắc máy và tháo hộp pin ra trước khi thực hiện việc điều chỉnh hoặc kiểm tra chức năng trên máy.

Lắp hoặc tháo hộp pin

⚠THẬN TRỌNG: Luôn tắt máy và khóa cần phanh trước khi lắp hoặc tháo hộp pin.

⚠THẬN TRỌNG: Luôn lắp hộp pin khớp hoàn toàn vào vị trí cho đến khi không thể nhìn thấy đèn chỉ báo màu đỏ. Nếu không, hộp pin có thể vô ý rơi ra khỏi máy, gây thương tích cho bạn hoặc người khác ở xung quanh.

⚠THẬN TRỌNG: Không được dùng sức lắp hộp pin. Nếu hộp pin không nhẹ nhàng trượt vào vị trí, có nghĩa là pin vẫn chưa được lắp đúng.

⚠THẬN TRỌNG: Không sử dụng hộp pin ở nhiệt độ cao. Khi sử dụng hộp pin ở nhiệt độ cao, xe sẽ tự động ngừng trước khi có một tiếng bíp phát ra và có thể gây thương tích.

⚠THẬN TRỌNG: Cần thận trọng kẹp ngón tay của bạn khi mở hoặc đóng nắp pin.

CHÚ Ý: Đảm bảo rằng bạn đã khóa nắp đậy pin trước khi sử dụng. Nếu không, bùn, bụi, hoặc nước có thể làm hỏng sản phẩm hoặc hộp pin.

Lắp hộp pin

1. Kéo cần khóa lên, sau đó mở nắp ngăn chứa pin.

► **Hình11:** 1. Nắp che 2. Cần khóa

2. Đặt thẳng hàng phần chốt nhỏ ra của hộp pin vào phần rãnh nằm trên ngăn chứa pin rồi trượt hộp pin cho đến khi chốt khóa vào đúng vị trí với một tiếng cách nhẹ.

► **Hình12:** 1. Hộp pin

3. Tra chìa khóa vào vị trí như thể hiện trong hình hết mức có thể và xoay theo chiều kim đồng hồ.

► **Hình13:** 1. Chìa khóa

LƯU Ý: Để vặn chìa khóa, hãy tra chìa khóa vào hoàn toàn.

4. Đóng nắp đậy ngăn chứa pin.

► **Hình14:** 1. Nắp che

Tháo hộp pin

1. Kéo cần khóa lên, sau đó mở nắp ngăn chứa pin.

2. Vừa rút hộp pin ra khỏi ngăn chứa pin vừa đẩy trượt nút ở phía trước hộp pin.

► **Hình15:** 1. Nút

3. Vặn chìa khóa ngược chiều kim đồng hồ, và kéo chìa khóa ra.

4. Đóng nắp đậy ngăn chứa pin.

Hệ thống bảo vệ xe / pin

Máy này được trang bị hệ thống bảo vệ máy/pin. Hệ thống này sẽ tự động ngắt nguồn điện đến động cơ để kéo dài tuổi thọ máy và pin. Xe sẽ tự động dừng vận hành nếu xe hoặc hộp pin ở một trong những trường hợp sau đây.

Một tiếng bip ngắn hoặc tiếng bip dài sẽ phát ra trước khi máy tự động dừng lại. Đèn chỉ báo pin và đèn trên bảng điều khiển sẽ nhấp nháy trong khi tiếng bip phát ra.

LƯU Ý: Để dừng tiếng bip, nhả cần khởi động công tắc và kéo cần phanh.

Bảo vệ quá tải

Khi vận hành máy/pin trong điều kiện làm máy tiêu tốn dòng cao bất thường, máy sẽ tự động dừng lại và đèn nguồn chính sẽ nhấp nháy màu xanh lá cây. Trong trường hợp này, hãy tắt máy và ngừng việc sử dụng đã làm cho máy trở nên quá tải chẳng hạn như giảm các đồ vật đã chất tải. Sau đó bật máy lên để khởi động lại.

Bảo vệ quá nhiệt

Khi máy bị quá nhiệt, máy sẽ tự động dừng lại và đèn nguồn chính sẽ sáng lên màu đỏ. Trong trường hợp này, hãy để máy và pin nguội trước khi bật máy lại.

Bảo vệ xả điện quá mức

Khi dung lượng pin không đủ, đèn nguồn chính và đèn chỉ báo pin tương ứng sẽ nhấp nháy màu đỏ. Trong trường hợp này, hãy chuyển hộp pin hoặc thay đổi hộp pin thành hộp pin đã sạc đầy, hoặc tháo hộp pin khỏi máy và sạc hộp pin.

LƯU Ý: Đèn nguồn chính nhấp nháy màu đỏ khi pin bị quá nhiệt.

Bảo vệ chống lại các nguyên nhân khác

CHÚ Ý: Đèn nguồn chính nhấp nháy màu xanh lá cây và màu đỏ luân phiên khi xảy ra bất thường trong máy. Trong trường hợp này, hãy tham khảo phần xử lý sự cố.

Hệ thống bảo vệ cũng được thiết kế để chống lại các nguyên nhân khác có thể làm hư hỏng máy và cho phép máy tự động dừng lại. Thực hiện tất cả các bước sau đây để lại bỏ nguyên nhân, khi máy đã được tạm dừng hoặc ngừng hoạt động.

1. Tắt máy, sau đó bật lại lần nữa để khởi động lại.
2. Sạc (các) pin hoặc thay pin/các pin bằng (các) pin đã sạc.
3. Để máy và (các) pin nguội dần.

CHÚ Ý: Nếu không thấy cải thiện hoặc máy dừng do nguyên nhân không được mô tả ở trên, hãy tham khảo phần xử lý sự cố.

Chỉ báo dung lượng pin còn lại

⚠ THẬN TRỌNG: Trước khi kiểm tra dung lượng pin còn lại hoặc chuyển hộp pin, đảm bảo đã dừng máy.

⚠ THẬN TRỌNG: Khi dung lượng pin yếu, sẽ có một tiếng bip ngắn phát ra. Trong trường hợp này, hãy khóa cần phanh, sau đó chuyển hộp pin thành hộp pin đã sạc hoặc sạc hộp pin. Nếu bạn tiếp tục vận hành máy ở dung lượng pin yếu và dung lượng pin còn lại hết, tiếng bip dài sẽ phát ra và máy tự động dừng lại, điều này có thể gây ra tai nạn hoặc thương tích.





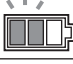



⚠ THẬN TRỌNG: Nếu tiếng bip phát ra trong khi vận hành trên dốc, hãy di chuyển máy tới nơi an toàn, khóa cần phanh, sau đó chuyển hộp pin thành hộp pin đã sạc hoặc sạc hộp pin.

⚠ THẬN TRỌNG: Nếu tải lớn và tiếng bip phát ra trong khi vận hành trên dốc, hãy di chuyển cần phanh, chú ý đến an toàn và chuyển hộp pin thành hộp pin đã sạc. Di chuyển máy đến nơi an toàn và khóa cần phanh. Giảm tải trước khi vận hành lại máy. Để biết chi tiết, tham khảo phần xử lý sự cố.

Kiểm tra mức pin trên ngăn chứa pin

► Hình 16: 1. Đèn chỉ báo pin 2. Nút Check (kiểm tra)

Ấn nút Check (kiểm tra) để chỉ báo dung lượng pin còn lại. Đèn chỉ báo pin tương ứng với từng loại pin.

Trạng thái đèn chỉ báo pin			Dung lượng pin còn lại
 Bật	 Nhấp nháy	 Tắt	
			50% - 100%
			20% - 50%
			0% - 20%
			Hết
			Pin không được lắp đặt

LƯU Ý: Nếu bạn tiếp tục kéo cần khởi động công tắc ngay cả khi bạn nghe thấy tiếng bip ngắn, máy sẽ tự động ngừng. Sau khi máy tự động ngừng, tiếng bip tiếp tục phát ra và phanh hỗ trợ được kích hoạt. Để dừng tiếng bip và nhà phanh hỗ trợ, nhà cần khởi động công tắc và kéo cần phanh. Không đẩy máy quá mạnh mà không nhà phanh hỗ trợ.

LƯU Ý: Bạn có thể kiểm tra dung lượng pin còn lại ngay cả khi chưa tra chìa khóa.

LƯU Ý: Đèn chỉ báo pin cho dung lượng pin còn lại chỉ dùng để tham khảo. Dung lượng pin thực tế có thể khác nhau tùy thuộc vào điều kiện sử dụng.

CHÚ Ý: Nếu hộp pin ở trong tình trạng sau đây, máy sẽ không hoạt động ngay cả khi bạn chuyển pin bằng công tắc chọn pin.

- Dung lượng còn lại của ít nhất một trong các hộp pin đã hết.
- Ít nhất một trong các hộp pin bị quá nhiệt.

Trong trường hợp này, hãy tháo hộp pin hết hoặc bị quá nhiệt, hoặc thay hộp pin bằng hộp pin đã sạc.

LƯU Ý: Nếu chỉ lắp 2 hộp pin vào máy, hãy đảm bảo chọn hộp pin đã lắp bằng công tắc chọn pin.

Kiểm tra mức pin trên hộp pin

Chỉ dành cho hộp pin có đèn chỉ báo

Ấn nút check (kiểm tra) trên hộp pin để chỉ báo dung lượng pin còn lại. Các đèn chỉ báo bật sáng lên trong vài giây.

► **Hình17:** 1. Các đèn chỉ báo 2. Nút Check (kiểm tra)

Các đèn chỉ báo			Dung lượng còn lại
Bật sáng	Tắt	Nhấp nháy	
			75% đến 100%
			50% đến 75%
			25% đến 50%
			0% đến 25%
			Sạc pin.
			Pin có thể đã bị hỏng.

LƯU Ý: Tùy thuộc vào các điều kiện sử dụng và nhiệt độ xung quanh, việc chỉ báo có thể khác biệt một chút so với dung lượng thực sự.

LƯU Ý: Đèn chỉ báo (phía xa bên trái) đầu tiên sẽ nhấp nháy khi hệ thống bảo vệ pin hoạt động.

Chuyển hộp pin

► **Hình18:** 1. Công tắc lựa chọn pin

Máy sử dụng 2 hộp pin để vận hành cùng lúc. Có thể lắp đặt tối đa 4 hộp pin vào máy. Trước khi vận hành máy, chọn hộp pin dùng để vận hành bằng cách xoay công tắc chọn pin.

Bảng điều khiển

⚠ THẬN TRỌNG: Luôn khóa cần phanh và tắt máy khi không sử dụng.

Nút nguồn

► **Hình19:** 1. Đèn nguồn chính 2. Nút nguồn

Để bật máy, khóa cần phanh, và sau đó nhấn nút nguồn mà không kéo cần khởi động công tắc. Đèn nguồn chính sáng lên màu xanh lá. Để tắt máy, nhà cần khởi động công tắc và khóa cần phanh, sau đó nhấn nút nguồn.

LƯU Ý: Việc thử nghiệm điện được thực hiện lần đầu tiên vận hành máy sau khi máy được bật. Nếu phát hiện có vấn đề, đèn nguồn chính sẽ nhấp nháy màu đỏ hoặc màu xanh lá cây luân phiên. Trong trường hợp này, hãy tham khảo phần xử lý sự cố.

LƯU Ý: Nếu đèn nguồn chính sáng lên màu đỏ hoặc nhấp nháy màu đỏ hoặc xanh lá cây, hãy tham khảo hướng dẫn dành cho hệ thống bảo vệ máy/pin hoặc phần xử lý sự cố.

LƯU Ý: Máy này sử dụng chức năng tắt nguồn tự động. Để tránh việc khởi động ngoài ý muốn, máy sẽ tự động tắt khi máy dừng lại và không vận hành trong một khoảng thời gian nhất định sau khi bật máy.

LƯU Ý: Nếu bạn nhấn nút nguồn trong khi kéo cần khởi động công tắc, máy sẽ không bật. Nhà cần khởi động công tắc, sau đó nhấn nút nguồn.

Nút tiến tới/giật lùi và tốc độ

► **Hình20:** 1. Nút tiến tới/giật lùi 2. Đèn chỉ báo tốc độ 3. Nút tốc độ

Nhấn nút tiến tới/giật lùi để chuyển đổi giữa chế độ tiến tới và chế độ giật lùi. Nhấn nút tốc độ để chuyển đổi giữa tốc độ thấp, tốc độ trung bình và tốc độ cao. Khi nguồn bật, chế độ tiến tới và tốc độ thấp được thiết lập.

LƯU Ý: Nút tiến tới/giật lùi không khả dụng khi kéo cần khởi động công tắc.

LƯU Ý: Một tiếng bip ngắn phát ra khi vận hành máy ở chế độ giật lùi.

LƯU Ý: Nút tốc độ không khả dụng khi vận hành máy ở chế độ giật lùi.

LƯU Ý: Nếu máy phát hiện vấn đề, đèn chỉ báo tốc độ sẽ luân phiên nhấp nháy. Trong trường hợp này, hãy tham khảo phần xử lý sự cố.

Nút tiếng bíp

Khi bạn nhấn nút tiếng bíp, tiếng bíp sẽ phát ra.

► **Hình21:** 1. Nút tiếng bíp

LƯU Ý: Nút tiếng bíp khả dụng khi bật máy.

LƯU Ý: Nút tiếng bíp khả dụng ngay cả khi không tra chìa khóa vào hộp pin.

Bật sáng đèn

Nhấn nút đèn trên ngăn chứa pin để bật đèn trước và đèn sau. Để tắt đèn, bấm lại nút đèn lần nữa.

► **Hình22:** 1. Nút đèn 2. Đèn trước

► **Hình23:** 1. Đèn sau

LƯU Ý: Đèn sẽ tắt nếu máy không vận hành trong một khoảng thời gian nhất định.

LƯU Ý: Đèn sẽ tắt khi tắt nguồn.

LƯU Ý: Bạn có thể bật đèn ngay cả khi không tra chìa khóa vào.

Cần khởi động công tắc và cần phanh

⚠ THẬN TRỌNG: Trước khi lắp hộp pin vào xe, luôn luôn kiểm tra xem cần khởi động công tắc có hoạt động bình thường hay không và trả về vị trí "TẮT" khi nhả ra chưa.

Để khởi động xe, kéo cần khởi động công tắc. Khi sử dụng cần khởi động công tắc, có thể điều chỉnh tốc độ trong phạm vi tốc độ đã cài đặt. Để dừng xe, nhả cần khởi động công tắc và kéo tay phanh.

Để khóa cần phanh, kéo và giữ cần phanh, sau đó kéo cần khóa, rồi nhả cần phanh trong khi kéo cần khóa. Để nhả khóa, kéo tay phanh.

► **Hình24:** 1. Cần khởi động công tắc

► **Hình25:** 1. Tay phanh 2. Cần khóa

Công tắc độ nghiêng

⚠ THẬN TRỌNG: Đảm bảo giữ cần phanh khi bạn vận hành công tắc độ nghiêng.

⚠ THẬN TRỌNG: Trước khi sử dụng công tắc độ nghiêng, hãy đảm bảo rằng dung lượng pin còn lại không quá thấp. Nếu dung lượng pin quá thấp, hãy khóa cần phanh và sau đó đổi hộp pin thành hộp pin đã sạc hoặc thay thế hộp pin bằng hộp pin khác đã sạc.

► **Hình26:** 1. Công tắc độ nghiêng

Bạn có thể nghiêng thùng chứa hoặc giá đỡ bằng cách sử dụng công tắc độ nghiêng. Để nghiêng thùng chứa và giá đỡ về phía trước, nhấn phía trên của công tắc độ nghiêng trong khi giữ cần phanh. Để trở về thùng chứa hoặc giá đỡ, nhấn phía dưới của công tắc độ nghiêng trong khi giữ cần phanh.

LƯU Ý: Tiếng bíp phát ra trong khi thùng chứa hoặc giá đỡ đang di chuyển.

Điều chỉnh độ rộng của giá đỡ

CHÚ Ý: Đảm bảo các thanh ray bên hông và thanh ray trước được cố định chắc chắn sau khi vận chuyển đai ốc có tai vặn.

Nới lỏng 6 đai ốc có tai vặn, sau đó trượt các thanh ray bên hông và thanh ray trước. Vận chuyển đai ốc có tai vặn để cố định các thanh ray bên hông và thanh ray trước.

► **Hình27:** 1. Đai ốc có tai vặn 2. Thanh ray

⚠ THẬN TRỌNG: Không trượt thanh ray ra ngoài vạch giới hạn.

► **Hình28**

Điều chỉnh độ cao tay cầm

CHÚ Ý: Cố định tay cầm bên trái và bên phải ở cùng độ cao.

Độ cao tay cầm có thể được điều chỉnh với 7 mức. Để điều chỉnh độ cao tay cầm, nới lỏng 2 núm, sau đó điều chỉnh độ cao tay cầm bằng cách căn chỉnh lỗ trên tay cầm với phần nhô ra trên khung sau, sau đó vận chuyển 2 núm. Điều chỉnh độ cao của tay cầm còn lại theo cách giống như vậy.

► **Hình29:** 1. Núm

Khóa bánh sau

Bạn có thể cố định hướng của bánh sau bằng cách sử dụng khóa bánh sau.

1. Di chuyển máy về phía trước một chút sao cho các bánh sau quay theo hướng như thể hiện trong hình.

► **Hình30:** 1. Bánh sau

2. Xoay khóa bánh sau về phía sau.

► **Hình31:** 1. Khóa bánh sau

3. Khóa bánh sau còn lại theo cách giống như vậy.

4. Di chuyển bánh sau tới lui hoặc sang trái và phải một chút để đảm bảo bánh đã được khóa.

Để nhả khóa bánh sau, xoay khóa bánh sau 90° như thể hiện trong hình.

► **Hình32:** 1. Khóa bánh sau

LƯU Ý: Có thể cố định bánh sau theo 4 hướng khác nhau như thể hiện trong hình.

► **Hình33**

Sử dụng cấp độ

Khi sử dụng cấp độ, bạn có thể kiểm tra xem mặt đất có bằng phẳng không.

► **Hình34:** 1. Cấp độ

VẬN HÀNH

⚠ THẬN TRỌNG: Đảm bảo khóa cần phanh trước khi xếp hoặc dỡ đồ vật.

Vận hành xe

CHÚ Ý: Đảm bảo tra chìa khóa vào trước khi vận hành. Nếu chưa tra chìa khóa, tiếng bip sẽ phát ra khi bạn kéo cần khởi động công tắc. Tiếng bip sẽ ngừng khi nhả cần khởi động công tắc và kéo tay phanh.

CHÚ Ý: Thực hiện kiểm tra trước khi vận hành máy bằng cách tham khảo phần bảo dưỡng.

- Đảm bảo cần phanh đã được khóa. Lắp hộp pin, sau đó tra chìa khóa rồi xoay chìa khóa theo chiều kim đồng hồ.
- Chọn hộp pin bằng công tắc chọn pin.
- Nhấn nút nguồn trên bảng điều khiển để bật nguồn.
▶ **Hình35:** 1. Nút nguồn
- Kéo tay phanh để nhả khóa tay phanh.
▶ **Hình36:** 1. Tay phanh
- Cầm chắc tay cầm bằng cả hai tay.
▶ **Hình37**
- Kéo cần khởi động công tắc.
▶ **Hình38:** 1. Cần khởi động công tắc

Xếp đồ vật lên xe

⚠ THẬN TRỌNG: Trước khi chất đồ vật lên máy, đảm bảo đã tắt máy và khóa cần phanh.

⚠ THẬN TRỌNG: Trước khi chất đồ vật lên máy, đảm bảo đã khóa bộ phận đỡ.

⚠ THẬN TRỌNG: Phải đặt đồ vật phía trong giá đỡ và thùng chứa. Nếu đồ vật nhô ra ngoài giá đỡ hoặc thùng chứa, chúng có thể rơi hoặc đổ nếu chạm phải vật cản.

▶ **Hình39**

⚠ THẬN TRỌNG: Phải sắp xếp đồ vật sao cho chúng nằm dưới tầm mắt. Việc xếp đồ quá cao sẽ nguy hiểm do tầm nhìn bị che khuất. Hơn nữa, điều này còn dẫn tới nguy cơ làm xe bị lật nhào và gây thương tích do đồ xếp lên xe có thể mất cân bằng.

▶ **Hình40**

⚠ THẬN TRỌNG: Không xếp đồ vật vượt quá chiều cao của thùng chứa. Xếp đồ vật vượt quá chiều cao của thùng chứa có thể khiến hàng hóa bị rơi hoặc đổ.

Khi chất đồ vật lên vành đỡ, hãy cố định đồ vật bằng dây thừng và buộc chúng xuống các móc dây thừng của vành đỡ.

▶ **Hình41:** 1. Móc dây thừng

Đồ đồ vật

⚠ THẬN TRỌNG: Khi nâng hoặc trả giá đỡ và thùng chứa, không được lắp hay đặt bất kỳ bộ phận nào của cơ thể vào giữa bộ đồ đất và giá đỡ hoặc thùng chứa, hoặc dưới bộ phận đỡ. Làm như vậy có thể dẫn đến thương tích hoặc bỏng.

⚠ THẬN TRỌNG: Sau khi dỡ tải, đảm bảo đã khóa bộ phận đỡ bằng cách trả bộ phận đỡ về vị trí ban đầu.

⚠ THẬN TRỌNG: Trước khi dùng tay nâng giá đỡ hoặc thùng chứa, hãy chắc chắn đã khóa cần phanh.

⚠ THẬN TRỌNG: Nâng giá đỡ hoặc thùng chứa trên mặt đất bằng phẳng và ổn định. Hoạt động trên bề mặt không ổn định có thể gây tai nạn hoặc chấn thương.

⚠ THẬN TRỌNG: Giữ tải trọng ở mức thấp nhất. Nếu tải trọng lớn, đừng cố nâng vành đỡ hoặc thùng chứa. Hãy giảm tải, sau đó nâng vành đỡ hoặc thùng chứa.

⚠ THẬN TRỌNG: Nếu tải được cố định bằng dây thừng hoặc các phương tiện khác, hãy tháo tải trước khi nâng bộ phận đỡ.

⚠ THẬN TRỌNG: Trước khi nâng vành đỡ hoặc thùng chứa, hãy đảm bảo không có người hoặc chướng ngại vật xung quanh máy.

Bạn có thể dỡ đồ vật bằng cách nâng và nghiêng giá đỡ hoặc thùng chứa.

- Dừng máy.
- Nghiêng thùng chứa hoặc giá đỡ về phía trước bằng cách nhấn phía trên của công tắc nghiêng trong khi giữ cần phanh.
▶ **Hình42:** 1. Công tắc độ nghiêng
- Đỡ đồ vật bằng tay bên trái trong thùng chứa và giá đỡ, hãy làm theo các bước dưới đây.
 - Khóa cần phanh, và sau đó đứng ở bên hông của xe.
 - Xoay cần khóa của bộ phận đỡ về phía trước máy để mở khóa bộ phận đỡ.
 - Giữ tay cầm của bộ phận đỡ, sau đó nghiêng thùng chứa hoặc giá đỡ về phía trước để đồ vật ra.
 - Trả thùng chứa hoặc giá đỡ trở lại vị trí bộ phận đỡ.▶ **Hình43:** 1. Cần khóa 2. Bộ phận đỡ

⚠ THẬN TRỌNG: Cầm chắc tay cầm của bộ phận đỡ và làm việc ở một tư thế ổn định.

CHÚ Ý: Chúng tôi khuyến cáo nên chèn bánh trước để giữ ổn định máy.

- Trả thùng chứa hoặc giá đỡ về vị trí ban đầu bằng cách nhấn vào phía dưới của công tắc độ nghiêng trong khi giữ cần phanh.

CHÚ Ý: Hãy chắc chắn trả thùng chứa hoặc giá đỡ về vị trí ban đầu sau khi dỡ đồ vật. Nếu thùng chứa hoặc giá đỡ không hoàn toàn và khóa lại, tốc độ di chuyển của máy được giới hạn đến 0,8 km/h.

BẢO TRÌ

⚠ THẬN TRỌNG: Luôn đảm bảo đầu xe trên mặt đất bằng phẳng và khóa phanh trước khi bảo quản hoặc thực hiện kiểm tra hoặc bảo trì.

⚠ THẬN TRỌNG: Luôn đảm bảo chìa khóa và hộp pin đã được tháo ra khỏi xe trước khi bảo quản, kiểm tra hoặc bảo dưỡng.

⚠ THẬN TRỌNG: Luôn rút chìa khóa khi không sử dụng xe. Đặt chìa khóa ở nơi an toàn tránh xa tầm tay trẻ em.

Để đảm bảo ĐỘ AN TOÀN và ĐỘ TIN CẬY của sản phẩm, việc sửa chữa hoặc bất cứ thao tác bảo trì, điều chỉnh nào đều phải được thực hiện bởi các Trung tâm Dịch vụ Nhà máy hoặc Trung tâm được Makita Ủy quyền và luôn sử dụng các phụ tùng thiết bị thay thế của Makita.

Kiểm tra trước khi vận hành

Thực hiện các kiểm tra sau đây trước khi vận hành máy.

- Kiểm tra để đảm bảo các bu-lông, đai ốc, và nút được vận hành chặt.

► Hình44

- Kiểm tra để đảm bảo phanh đang hoạt động đúng cách. Nếu bạn cảm thấy phanh hoạt động không đủ, hãy thực hiện vệ sinh phanh. Nếu không thấy cải thiện, hãy nhờ Trung tâm dịch vụ được ủy quyền của Makita sửa chữa.
- Kiểm tra để đảm bảo bộ phận đỡ được khóa khi tay cầm của bộ phận đỡ được kéo xuống hoàn toàn.

► Hình45: 1. Tay cầm

- Kiểm tra để đảm bảo lớp của bánh trước và bánh sau không bị hỏng và hơi trong lốp đủ.
- Kiểm tra bảo đảm rằng đèn phía trước và đèn sau đã sạch. Vệ sinh nếu cần thiết.
- Kiểm tra để đảm bảo dao cạo nằm ở đúng vị trí. Nếu dao cạo hướng lên trên, hãy điều chỉnh hướng của dao cạo bằng cách nói lỏng các bu-lông. Khi vận hành bu-lông, không đẩy dao cạo về phía trước máy.

► Hình46: 1. Dao cạo

Thay lốp

⚠ THẬN TRỌNG: Trước khi thay lốp, đảm bảo đã dỡ tất cả đồ vật ra khỏi máy.

⚠ THẬN TRỌNG: Khi thay lốp, hãy đeo găng tay.

Thay lốp của bánh trước

LƯU Ý: Khi lắp lốp màu xám, hãy lắp sao cho van hướng ra ngoài.

► Hình49

Thay lốp của bánh sau

► Hình50

► Hình51

Vệ sinh xe

CHÚ Ý: Không được phép dùng xăng, ét xăng, dung môi, cồn hoặc hóa chất tương tự. Có thể xảy ra hiện tượng mất màu, biến dạng hoặc nứt vỡ.

CHÚ Ý: Không sử dụng máy xịt rửa áp lực cao cầm tay hoạt động bằng động cơ điện để vệ sinh.

CHÚ Ý: Khi vệ sinh máy, đảm bảo đóng nắp ngăn chứa pin. Nếu không, nước có thể rơi vào ngăn chứa pin, và gây trục trặc cho máy.

Loại bỏ bùn, bụi bẩn, và các chất tương tự khỏi xe. Hãy vệ sinh xe bằng nước đang chảy. Sau khi vệ sinh xe, hãy lau xe bằng một miếng vải khô.

Cất giữ

Khóa cần phanh, rời tháo hộp pin và chìa khóa. Bảo quản xe ở nơi an toàn tránh xa tầm tay trẻ em.

Bơm lại hơi cho lốp xe

Kiểm tra để đảm bảo hơi trong lốp cho bánh trước và bánh sau không bị thiếu. Nếu hơi cho lốp xe không đủ, hãy bơm lại hơi cho lốp xe bằng cách sử dụng bơm bánh xe. Áp suất không khí như sau:

- Lốp cho bánh trước: 280 kPa (40 PSI)
- Lốp cho bánh sau: 525 kPa (75 PSI)

Bánh trước

► Hình47

Bánh sau

► Hình48

XỬ LÝ SỰ CỐ

Trước khi yêu cầu sửa chữa, đầu tiên hãy tự tiến hành kiểm tra của riêng bạn. Nếu bạn phát hiện vấn đề không được giải thích trong tài liệu hướng dẫn này, không tháo rời máy. Thay vào đó, hãy nhờ Trung tâm dịch vụ Makita được ủy quyền, luôn sử dụng bộ phận thay thế của Makita để sửa chữa.

Tình trạng bất thường	Đèn nguồn chính	Nguyên nhân	Biện pháp khắc phục
Máy không bật.	Đã tắt.	Hai hộp pin không được lắp vào.	Lắp hai hộp pin đã được sạc đầy.
		Vấn đề pin (điện áp thấp)	Sạc pin lại cho hộp pin. Nếu sạc pin lại không hiệu quả, thay thế hộp pin.
		Công tắc lựa chọn pin không ở đúng vị trí.	Chọn pin chính xác bằng cách sử dụng công tắc chọn pin.
Máy không khởi động.	Đèn nhấp nháy màu đỏ.	Mức sạc pin thấp.	Sạc pin lại cho hộp pin. Nếu sạc pin lại không hiệu quả, thay thế hộp pin.
		Ít nhất một trong số pin đã hết.	Tháo pin đã hết, hoặc thay bằng pin đã sạc. Trong trường hợp này, đèn ngoài cùng bên trái của đèn chỉ báo pin của pin tương ứng sẽ nhấp nháy.
	Đèn nhấp nháy màu xanh lá cây.	Chìa khóa không được tra vào.	Tra chìa khóa và xoay chìa khóa theo chiều kim đồng hồ.
		Máy đã dừng do quá tải.	Giảm các đồ vật đã chát.
		Các bánh trước hoặc bánh sau bị kẹt hoặc bị khóa.	Loại bỏ nguyên nhân làm các bánh xe bị kẹt hoặc bị khóa.
	Đèn sáng lên màu đỏ.	Máy dừng lại do quá nhiệt.	Để nguội máy và pin.
	Đèn nhấp nháy màu đỏ và màu xanh lá cây luân phiên.	Chìa khóa không được tra vào.	Tra chìa khóa và xoay chìa khóa theo chiều kim đồng hồ.
Máy phát hiện bất thường.		Tắt máy, sau đó bật lại. Đã xảy ra trục trặc với máy. Hãy nhờ Trung tâm dịch vụ được ủy quyền của Makita sửa chữa.	
Đèn sáng lên màu xanh lá.	Cần thay đổi số mo không ở vị trí ban đầu.	Khóa cần phanh, sau đó tra cần thay đổi số mo về vị trí ban đầu.	
Máy sẽ dừng lại sau khi ít sử dụng.	Đèn nhấp nháy màu đỏ.	Mức sạc pin thấp.	Sạc pin lại cho hộp pin. Nếu sạc pin lại không hiệu quả, thay thế hộp pin.
Tốc độ di chuyển của máy không tăng.	Đèn sáng lên màu xanh lá.	Bộ phận đồ không hoàn toàn trở lại vị trí ban đầu, hoặc không bị khóa.	Trả bộ phận đồ trở lại vị trí hoàn toàn và đảm bảo rằng nó đã được khóa.

Xử lý sự cố dừng máy

⚠ CẢNH BÁO: Trừ khi thực sự cần thiết, tuyệt đối không tắt phanh hỗ trợ của máy bằng cần thay đổi số mo. Vì phanh hỗ trợ của máy bị tắt, nên máy có thể vô tình di chuyển và gây ra tai nạn hoặc thương tích cá nhân.

⚠ CẢNH BÁO: Đảm bảo trả cần thay đổi số mo về vị trí ban đầu sau khi kéo cần ra ngoài.

Nếu không thể di chuyển máy khi hết pin hoặc xảy ra trục trặc máy, bạn có thể di chuyển máy bằng tay bằng cách kéo cần thay đổi số mo ra ngoài để tắt phanh hỗ trợ.

1. Khóa cần phanh.
2. Dỡ tất cả đồ vật khỏi máy.

⚠ THẬN TRỌNG: Đảm bảo đã dỡ tất cả đồ vật ra khỏi máy. Máy có thể vô tình di chuyển nếu các đồ vật được để lại trên máy.

3. Nếu máy ở trên dốc, hãy mở khóa cần phanh và đặt hướng máy sao cho cần phanh ở phía trên của dốc và máy song song với dốc. Khóa cần phanh.

► **Hình 52**

4. Đảm bảo máy không di chuyển và kéo cần thay đổi số mo ra ngoài.

► **Hình 53:** 1. Cần thay đổi số mo

5. Mở khóa cần phanh và di chuyển máy bằng tay đến nơi an toàn. Vì phanh hỗ trợ bị tắt, nên hãy di chuyển máy cẩn thận bằng cần phanh để tốc độ không tăng.

6. Sau khi di chuyển máy đến nơi an toàn, hãy khóa cần phanh.

7. Trả cần thay đổi số mo về vị trí ban đầu. Đảm bảo cần thay đổi số mo đã hoàn toàn được trả về như thể hiện trong hình.

► **Hình 54:** 1. Cần thay đổi số mo

PHỤ KIỆN TÙY CHỌN

⚠ THẬN TRỌNG: Các phụ kiện hoặc phụ tùng gắn thêm này được khuyến cáo sử dụng với máy Makita của bạn theo như quy định trong hướng dẫn này. Việc sử dụng bất cứ phụ kiện hoặc phụ tùng gắn thêm nào khác đều có thể gây ra rủi ro thương tích cho người. Chỉ sử dụng phụ kiện hoặc phụ tùng gắn thêm cho mục đích đã quy định sẵn của chúng.

⚠ THẬN TRỌNG: Chỉ sử dụng phụ tùng hoặc phụ kiện Makita cho máy. Sử dụng bất kỳ phụ tùng hoặc phụ kiện khác cũng có thể gây thương tích cá nhân nghiêm trọng.

Nếu bạn cần bất kỳ sự hỗ trợ nào để biết thêm chi tiết về các phụ tùng này, hãy hỏi Trung tâm Dịch vụ của Makita tại địa phương của bạn.

- Giá đỡ
- Thùng chứa
- Lớp trước (đen)
- Lớp trước (xám)
- Lớp sau (xám)
- Pin và bộ sạc chính hãng của Makita

LƯU Ý: Một số mục trong danh sách có thể được bao gồm trong gói dụng cụ làm phụ kiện tiêu chuẩn. Các mục này ở mỗi quốc gia có thể khác nhau.

ข้อมูลจำเพาะ

รุ่น:		DCU602
ขนาด (ยาว x กว้าง x สูง)	เมื่อติดตั้งกระเบ	1,480 mm x 730 mm x 820 - 1,030 mm
	เมื่อติดตั้งโครงบรรทุก	1,450 - 1,600 mm x 730 - 1,080 mm x 820 - 1,030 mm
ความเร็วในการเคลื่อนที่	เดินหน้า	5.0 / 3.5 / 1.5 km/h
	ถอยหลัง	1.0 km/h
ความสามารถในการจุสูงสุด	บนพื้นราบ	300 kg
	บนพื้นที่ลาดเอียง (3 ° - 12 °)	180 kg
ความสามารถในการไต่สูงสุด		12°
รัศมีการหมุนต่ำสุด *		1,150 mm
เบรก		เบรกมือและเบรกสำรอง
ยาง	ล้อหน้า	ยางลม
	ล้อหลัง	ยางลม
แรงดันไฟฟ้าสูงสุด		D.C. 36 V
น้ำหนักสุทธิ	เมื่อติดตั้งกระเบ	145 - 147 kg
	เมื่อติดตั้งโครงบรรทุก	141 - 143 kg
ระดับการป้องกัน		IPX4

*: เส้นผ่านศูนย์กลางภายนอกเมื่อหมุนโดยที่ล้อหน้าหันเป็นแนวแกน

- เนื่องจากการค้นคว้าวิจัยและพัฒนาอย่างต่อเนื่อง ข้อมูลจำเพาะในเอกสารฉบับนี้อาจเปลี่ยนแปลงได้โดยไม่ต้องแจ้งให้ทราบล่วงหน้า
- ข้อมูลจำเพาะอาจแตกต่างกันไปในแต่ละประเทศ
- น้ำหนักอาจแตกต่างกันไปตามอุปกรณ์เสริม รวมถึงล้อแบบเตอรี การติดอุปกรณ์เสริมที่เบาที่สุดและหนักที่สุดตามข้อบังคับของ EPTA 01/2014 มีแสดงอยู่ในตาราง

ดัลบีแบตเตอรี่และเครื่องชาร์จที่ใช้ได้

ดัลบีแบตเตอรี่	BL1815N / BL1820B / BL1830B / BL1840B / BL1850B / BL1860B
เครื่องชาร์จ	DC18RC / DC18RD / DC18RE / DC18SD / DC18SE / DC18SF / DC18SH / DC18WC

- ดัลบีแบตเตอรี่และเครื่องชาร์จบางรายการที่แสดงอยู่ด้านบนอาจไม่มีวางจำหน่ายขึ้นอยู่กับภูมิภาคที่คุณอาศัยอยู่


คำเตือน: ใช้ดัลบีแบตเตอรี่และเครื่องชาร์จที่ระบุไว้ข้างบนเท่านั้น การใช้ดัลบีแบตเตอรี่และเครื่องชาร์จประเภทอื่นอาจก่อให้เกิดความเสี่ยงที่จะได้รับบาดเจ็บและ/หรือเกิดไฟไหม้

คำเตือน: ห้ามใช้ชุดต้นกำลังแบบพกพา PDC1200 หรือ PDC01 กับผลิตภัณฑ์นี้ การใช้งานร่วมกันอาจทำให้เกิดการบาดเจ็บหรือเกิดการทำงานที่ผิดพลาด


สัญลักษณ์


ต่อไปนี้เป็นสัญลักษณ์ที่อาจใช้สำหรับอุปกรณ์ โปรดศึกษาความหมายของสัญลักษณ์ให้เข้าใจก่อนการใช้งาน


	อ่านคู่มือการใช้งาน
	อย่าเปลี่ยนทิศทางขณะอยู่บนพื้นที่ลาดเอียง
	เครื่องมือนี้ไม่สามารถใช้งานบนถนนสาธารณะได้
	ก่อนใส่หรือนำของออก ให้ล็อกเบรกและชุดตัดไม้
	อย่าบรรทุกหรือนำของออกขณะอยู่บนพื้นที่ลาดเอียง
	อย่าใช้เครื่องมือสำหรับขคน
	อย่าเทของบนพื้นที่ลาดเอียง ล็อกชุดตัดไม้หลังจากเทของออกแล้ว
	ใส่ของบนกระบะหรือโครงบรรทุกให้เรียบเสมอกัน อย่าใส่ของให้ไม่เรียบเสมอกัน หรือใส่เฉพาะด้านหน้า
	อันตรายจากการถูกหนีบและทับ อย่านำมือเข้าใกล้เครื่องในระหว่างการทำงาน อย่าสอดมือหรือส่วนใด ๆ ของร่างกายเข้าไปในชิ้นส่วนหมุน
	ความจุการบรรทุกสูงสุด: 300 kg บนพื้นราบและ 180 kg บนพื้นที่ลาดเอียง (สูงสุด 12°)
	อย่ามองที่ดวงไฟโดยตรง
	อย่าล้างเครื่องมือด้วยเครื่องฉีดน้ำแรงดันสูง
	อย่าให้บุคคลอื่นเข้าใกล้เครื่องมือในระหว่างการทำงาน
	อย่าใช้เครื่องมือในบริเวณที่พื้นผิวไม่เรียบ


 อย่าใช้เครื่องมือเมื่อกระบะหรือโครงบรรทุกไม่กลับเข้าที่อย่างสมบูรณ์


 นำเชือกออกก่อนเทของออก


 ใส่รองเท้าที่ป้องกันการลื่นและปกป้องเท้าเสมอ


 ล็อกเบรกก่อนดึงก้านเกียร์ว่างออกมา


 ล็อกเบรกก่อนเลื่อนก้านเกียร์ว่างกลับเข้าที่เดิม


 ความดันลม: ล้อหน้า 280 kPa และล้อหลัง 525 kPa

 ตรวจสอบให้แน่ใจว่าก้านล็อกล้อคอยู่

 หมุนก้านล็อกไปด้านหน้าของตัวเครื่องเพื่อปลดล็อกชุดตัดไม้

 เมื่อเสียงบีบดังขึ้น ให้ล็อกก้านเบรก

 เมื่อคุณปล่อยสวิตช์สั่งงาน ให้ล็อกก้านเบรก

 เมื่อต้องการปิดเสียงเตือน ให้ปล่อยสวิตช์สั่งงานและดึงก้านเบรก

สำหรับประเทศในสหภาพยุโรป
เท่านั้น

เนื่องจากในอุปกรณ์มีส่วนประกอบ
อันตราย ขยะจำพวกอุปกรณ์ไฟฟ้า
และอิเล็กทรอนิกส์ แบตเตอรี่ และ
หม้อแบตเตอรี่จึงอาจส่งผลกระทบต่อสิ่ง
แวดล้อมและสุขภาพของมนุษย์
ในเชิงลบ

อย่าทิ้งเครื่องใช้ไฟฟ้าและ
อิเล็กทรอนิกส์หรือแบตเตอรี่ร่วมกับ
วัสดุเหลือทิ้งในครัวเรือน!
เพื่อให้เป็นไปตามกฎระเบียบ
ของยุโรปว่าด้วยขยะจำพวกอุปกรณ์
ไฟฟ้าและอิเล็กทรอนิกส์ และหม้อ
สะสมไฟฟ้าและแบตเตอรี่ และ
ขยะจำพวกหม้อสะสมไฟฟ้าและ
แบตเตอรี่ รวมถึงการบังคับใช้ตาม
กฎหมายภายในประเทศ ควรมีการ
จัดเก็บขยะจำพวกอุปกรณ์ไฟฟ้า
แบตเตอรี่ และหม้อสะสมไฟฟ้าแยก
ต่างหากและส่งไปยังจุดรับขยะต่าง
หากในเขตเทศบาลซึ่งมีการดำเนิน
การตามระเบียบว่าด้วยการดูแลสิ่ง
แวดล้อม

โดยระบุด้วยสัญลักษณ์สันคาคขวาง
รูปถังขยะแบบมีล้อไว้บนอุปกรณ์



ผ่านการรับรองระดับพลังงานเสียง
ตามกฎระเบียบว่าด้วยเสียงรบกวน
ภายนอกของสหภาพยุโรป



ระดับพลังงานเสียงตามข้อบังคับการ
ควบคุมเสียงรบกวนของรัฐ
นิวเซาท์เวลส์ ประเทศออสเตรเลีย

จุดประสงค์การใช้งาน

เครื่องมือนี้ใช้สำหรับการบรรทุกและเคลื่อนย้ายวัตถุด้วย
พลังงานแบตเตอรี่

คำเตือนด้านความปลอดภัย

คำเตือนด้านความปลอดภัยของเครื่องมือไฟฟ้า ทั่วไป

คำเตือน อ่านคำเตือนด้านความปลอดภัย คู่มือ ภาพ
และข้อมูลจำเพาะที่มีมาให้พร้อมกับเครื่องมือไฟฟ้านี้ หาก
ไม่ปฏิบัติตามคำเตือนทั้งหมดด้านล่างนี้อาจส่งผลให้เกิดไฟ
ช็อต ไฟไหม้ และ/หรือได้รับบาดเจ็บสาหัสได้

เก็บรักษาคำเตือนและคำแนะนำทั้งหมดไว้

เป็นข้อมูลอ้างอิงในอนาคต

คำว่า “เครื่องมือไฟฟ้า” ในคำเตือนนี้หมายถึงเครื่องมือ
ไฟฟ้า (มีสาย) ที่ทำงานโดยใช้กระแสไฟฟ้าหรือเครื่องมือ
ไฟฟ้า (ไร้สาย) ที่ทำงานโดยใช้แบตเตอรี่

ความปลอดภัยของพื้นที่ทำงาน

1. ดูแลพื้นที่ทำงานให้มีความสะอาดและมีแสงไฟสว่าง
พื้นที่รกระเกะระกะหรือมืดที่บดบังนำไปสู่การเกิด
อุบัติเหตุได้
2. อย่าใช้งานเครื่องมือไฟฟ้าในสภาพที่อาจเกิดการ
ระเบิด เช่น ในสถานที่ที่มีของเหลว ก๊าซ หรือฝุ่นผงที่
มีคุณสมบัติไวไฟ เครื่องมือไฟฟ้าอาจสร้างประกายไฟ
และจุดชนวนฝุ่นผงหรือก๊าซดังกล่าว
3. ดูแลไม่ให้มีเด็กๆ หรือบุคคลอื่นอยู่ในบริเวณที่กำลัง
ใช้เครื่องมือไฟฟ้า การมีสิ่งรบกวนสมาธิอาจทำให้คุณ
สูญเสียการควบคุม

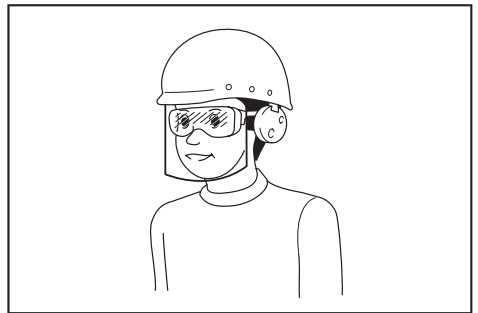
ความปลอดภัยด้านไฟฟ้า

1. ปลั๊กของเครื่องมือไฟฟ้าต้องพอดีกับเต้ารับ อย่า
ดัดแปลงปลั๊กไม่ว่ากรณีใดๆ อย่าใช้ปลั๊กอะแดปเตอร์
กับเครื่องมือไฟฟ้าที่ต่อสายดิน ปลั๊กที่ไม่ถูกดัดแปลง
และเต้ารับที่เข้ากันพอดีจะช่วยลดความเสี่ยงของการ
เกิดไฟฟ้าช็อต
2. ระวังอย่าให้ร่างกายสัมผัสกับพื้นผิวที่ต่อสายดิน เช่น
ท่อ เครื่องนำความร้อน เตาหุงต้ม และตู้เย็น มีความ
เสี่ยงที่จะเกิดไฟฟ้าช็อตสูงขึ้น หากร่างกายของคุณ
สัมผัสกับพื้น
3. อย่าให้เครื่องมือไฟฟ้าถูกน้ำหรืออยู่ในสภาพเปียกชื้น
น้ำที่ไหลเข้าไปในเครื่องมือไฟฟ้าจะเพิ่มความเสี่ยง
ของการเกิดไฟฟ้าช็อต
4. อย่าใช้สายไฟอย่างไม่เหมาะสม อย่าใช้สายไฟเพื่อ
ยก ดึง หรือถอดปลั๊กเครื่องมือไฟฟ้า เก็บสายไฟให้
ห่างจากความร้อน น้ำมัน ของมีคม หรือชิ้นส่วนที่
เคลื่อนที่ สายที่ชำรุดหรือพันกันจะเพิ่มความเสี่ยง
ของการเกิดไฟฟ้าช็อต

- ขณะที่ใช้งานเครื่องมือไฟฟ้านอกอาคาร ควรใช้สายต่อพ่วงที่เหมาะสมกับงานภายนอกอาคาร การใช้สายที่เหมาะสมกับงานภายนอกอาคารจะลดความเสี่ยงของการเกิดไฟฟ้าช็อต
- หากต้องใช้งานเครื่องมือไฟฟ้าในสถานที่เปียกชื้น ให้ใช้อุปกรณ์ป้องกันกระแสไฟรั่ว (RCD) การใช้ RCD จะลดความเสี่ยงของการเกิดไฟฟ้าช็อต
- เครื่องมือไฟฟ้าอาจสร้างสนามแม่เหล็ก (EMF) ที่ไม่เป็นอันตรายต่อผู้ใช้ อย่างไรก็ตาม ผู้ใช้ที่ใส่เครื่องกระตุ้นหัวใจและอุปกรณ์ทางการแพทย์ที่คล้ายกันนี้ ควรติดต่อผู้ผลิตอุปกรณ์และ/หรือแพทย์เพื่อรับคำแนะนำก่อนใช้งานเครื่องมือไฟฟ้านี้
- อย่าให้ความคุ้นเคยจากการใช้งานเครื่องมือเป็นประจำทำให้คุณทำตามตามสบายและละเลยหลักการเพื่อความปลอดภัยในการใช้เครื่องมือ การกระทำที่เผลอ翼翼ระวังอาจทำให้เกิดการบาดเจ็บร้ายแรงภายใต้วินาที
- สวมใส่แว่นครอบตานิรภัยเพื่อปกป้องดวงตาของคุณจากการบาดเจ็บเมื่อใช้เครื่องมือไฟฟ้า แว่นครอบตาจะต้องได้มาตรฐาน ANSI Z87.1 ในสหรัฐอเมริกา, EN 166 ในยุโรป หรือ AS/NZS 1336 ในออสเตรเลีย/นิวซีแลนด์ ในออสเตรเลีย/นิวซีแลนด์ จะต้องสวมเกราะป้องกันใบหน่าเพื่อปกป้องใบหน้าของคุณอย่างถูกต้องตามกฎหมายด้วย

ความปลอดภัยส่วนบุคคล

- ให้ระมัดระวังและมีสติอยู่เสมอขณะใช้งานเครื่องมือไฟฟ้า อย่าใช้งานเครื่องมือไฟฟ้าในขณะที่คุณกำลังเหนื่อย หรือในสภาพที่มึนเมาจากยาเสพติด เครื่องดื่ม แอลกอฮอล์ หรือการเข้ายา ช่วงเวลาที่ขาดความระมัดระวังเมื่อกำลังใช้งานเครื่องมือไฟฟ้าอาจทำให้ได้รับบาดเจ็บร้ายแรง
- ใช้อุปกรณ์ป้องกันส่วนบุคคล สวมแว่นตาป้องกันเสมอ อุปกรณ์ป้องกัน เช่น หน้ากากกันฝุ่น รองเท้านิรภัยกันลื่น หมวกนิรภัย หรือเครื่องป้องกันการไถ้ยในที่ใช้ในสภาพที่เหมาะสมจะช่วยลดการบาดเจ็บ
- ป้องกันไม่ให้เกิดการเปิดใช้งานโดยไม่ตั้งใจ ตรวจสอบให้แน่ใจว่าสวิตช์ปิดอยู่ก่อนที่จะเชื่อมต่อกับแหล่งจ่ายไฟ และ/หรือชุดแบตเตอรี่ รวมทั้งตรวจสอบก่อนการยกหรือเคลื่อนย้ายเครื่องมือ การถอดหัวมีดบริเวณสวิตช์เพื่อถ่วงเครื่องมือไฟฟ้า หรือการชาร์จไฟเครื่องมือไฟฟ้าในขณะที่เปิดสวิตช์อยู่อาจนำไปสู่การเกิดอุบัติเหตุ
- นำกุญแจปรับตั้งหรือประแจออกก่อนที่จะเปิดเครื่องมือไฟฟ้า ประแจหรือกุญแจที่เสียบค้างอยู่ในชิ้นส่วนที่หมุนได้ของเครื่องมือไฟฟ้าอาจทำให้ได้รับบาดเจ็บ
- อย่าทำงานในระยะที่สูดเอื้อม จัดท่าการยืนและการทรงตัวให้เหมาะสมตลอดเวลา เพราะจะทำให้ควบคุมเครื่องมือไฟฟ้าได้ดีขึ้นในสถานการณ์ที่ไม่คาดคิด
- แต่งกายให้เหมาะสม อย่าสวมเครื่องแต่งกายที่หลวมเกินไป หรือสวมเครื่องประดับ ดูแลไม่ให้เส้นผมและเสื้อผ้าอยู่ใกล้ชิ้นส่วนที่เคลื่อนที่ เสื้อผ้ารุ่มร่าม เครื่องประดับ หรือผมที่มีความยาวอาจเข้าไปติดในชิ้นส่วนที่เคลื่อนที่
- หากมีการจัดอุปกรณ์สำหรับตัดและจัดเก็บฝุ่นไว้ในสถานที่ ให้ตรวจสอบว่าได้เชื่อมต่อและใช้งานอุปกรณ์นั้นอย่างเหมาะสม การใช้เครื่องดูดและจัดเก็บฝุ่นจะช่วยลดอันตรายที่เกิดจากฝุ่นผงได้



ผู้ว่าจ้างมีหน้าที่รับผิดชอบในการบังคับผู้ใช้งานเครื่องมือและบุคคลอื่นๆ ที่อยู่ในบริเวณที่ปฏิบัติงานให้ใช้อุปกรณ์ป้องกันที่เหมาะสม

การใช้และดูแลเครื่องมือไฟฟ้า

- อย่าฝืนใช้เครื่องมือไฟฟ้า ใช้เครื่องมือไฟฟ้าที่เหมาะสมกับการใช้งานของคุณ เครื่องมือไฟฟ้าที่เหมาะสมจะทำให้ได้งานที่มีประสิทธิภาพและปลอดภัยกว่าตามขีดความสามารถของเครื่องที่ได้รับการออกแบบมา
- อย่าใช้เครื่องมือไฟฟ้า หากสวิตช์ไม่สามารถเปิดปิดได้ เครื่องมือไฟฟ้าที่ควบคุมด้วยสวิตช์ไม่ได้เป็นสิ่งอันตรายและต้องได้รับการซ่อมแซม
- ถอดปลั๊กจากแหล่งจ่ายไฟ และ/หรือชุดแบตเตอรี่ ออกจากเครื่องมือไฟฟ้าก่อนทำการปรับตั้ง เปลี่ยนอุปกรณ์เสริม หรือจัดเก็บเครื่องมือไฟฟ้า วิธีการป้องกันด้านความปลอดภัยดังกล่าวจะช่วยลดความเสี่ยงในการเปิดใช้งานเครื่องมือไฟฟ้าโดยไม่ตั้งใจ
- จัดเก็บเครื่องมือไฟฟ้าที่ไม่ได้ใช้งานให้ห่างจากมือเด็ก และอย่าอนุญาตให้บุคคลที่ไม่คุ้นเคยกับเครื่องมือไฟฟ้าหรือคำแนะนำเหล่านี้ใช้งานเครื่องมือไฟฟ้า เครื่องมือไฟฟ้าจะเป็นอันตรายเมื่ออยู่ในมือของผู้ที่ไม่ได้รับการฝึกอบรม

- บำรุงรักษาเครื่องมือไฟฟ้าและอุปกรณ์เสริม ตรวจสอบการประกอบที่ไม่ถูกต้องหรือการเชื่อมต่อนของชิ้นส่วนที่เคลื่อนที่ การแตกหักของชิ้นส่วนหรือสภาพอื่น ๆ ที่อาจส่งผลกระทบต่อการทำงานของเครื่องมือไฟฟ้า หากมีความเสียหาย ให้นำเครื่องมือไฟฟ้าไปซ่อมแซมก่อนการใช้งาน อุบัติเหตุจำนวนมากเกิดจากการดูแลรักษาเครื่องมือไฟฟ้าอย่างไม่ถูกต้อง
- ทำความสะอาดเครื่องมือตัดและลับให้คมอยู่เสมอ เครื่องมือการตัดที่มีการดูแลอย่างถูกต้องและมีขอบการตัดคมมักจะมีปัญหาติดขัดน้อยและควบคุมได้ง่ายกว่า
- ใช้เครื่องมือไฟฟ้า อุปกรณ์เสริม และวัสดุสิ้นเปลือง ฯลฯ ตามคำแนะนำดังกล่าว พิจารณาสภาพการทำงานและงานที่จะลงมือทำ การใช้เครื่องมือไฟฟ้าเพื่อทำงานอื่นนอกเหนือจากที่กำหนดไว้อาจทำให้เกิดอันตราย
- ดูแลมือจับและบริเวณมือจับให้แห้ง สะอาด และไม่มีน้ำมันและจาระบีเปื้อน มือจับและบริเวณมือจับที่ลื่นจะทำให้ไม่สามารถจับและควบคุมเครื่องมือได้อย่างปลอดภัยในสถานการณ์ที่ไม่คาดคิด
- ขณะใช้งานเครื่องมือ อย่าสวมใส่ถุงมือผ้าที่อาจเข้าไปติดในเครื่องมือได้ หากถุงมือผ้าเข้าไปติดในชิ้นส่วนที่กำลังเคลื่อนที่อยู่อาจทำให้ได้รับบาดเจ็บ

การใช้งานและดูแลเครื่องมือที่ใช้แบตเตอรี่

- ชาร์จไฟใหม่ด้วยเครื่องชาร์จที่ระบุโดยผู้ผลิตเท่านั้น เครื่องชาร์จที่เหมาะสมสำหรับชุดแบตเตอรี่ประเภทหนึ่งอาจเสี่ยงที่จะเกิดไฟไหม้หากนำไปใช้กับชุดแบตเตอรี่อีกประเภทหนึ่ง
- ใช้เครื่องมือไฟฟ้ากับชุดแบตเตอรี่ที่กำหนดมาโดยเฉพาะเท่านั้น การใช้ชุดแบตเตอรี่ประเภทอื่นอาจทำให้เสี่ยงที่จะได้รับบาดเจ็บและเกิดไฟไหม้
- เมื่อไม่ใช้งานชุดแบตเตอรี่ ให้เก็บห่างจากวัตถุที่เป็นโลหะอื่น ๆ เช่น คลิปหนีบกระดาษ เหรียญ กุญแจ กรรไกรตัดเล็บ สกรู หรือวัตถุที่เป็นโลหะขนาดเล็กอื่น ๆ ที่สามารถเชื่อมต่อชั่วคราวกับอีกขั้วหนึ่งได้ การลัดวงจรขั้วแบตเตอรี่อาจทำให้อ่อนจัดหรือเกิดไฟไหม้
- ในกรณีที่ใช้งานไม่ถูกต้อง อาจมีของเหลวไหลออกจากแบตเตอรี่ ให้หลีกเลี่ยงการสัมผัส หากสัมผัสโดนของเหลวโดยไม่ตั้งใจ ให้ล้างออกด้วยน้ำ หากของเหลวกระเด็นเข้าตา ให้รีบไปพบแพทย์ ของเหลวที่ไหลออกจากแบตเตอรี่อาจทำให้ผิวหนังระคายเคืองหรือไหม้

- ห้ามใช้ชุดแบตเตอรี่หรือเครื่องมือที่ชาร์จหรือมีการแก้ไข แบตเตอรี่ที่เสียหายหรือมีการแก้ไขอาจทำให้เกิดสิ่งที่ไม่ถึงได้ เช่น ไฟไหม้ ระเบิด หรือเสี่ยงต่อการบาดเจ็บ
- ห้ามให้ชุดแบตเตอรี่อยู่ใกล้ไฟ หรือบริเวณที่มีอุณหภูมิสูงเกิน หากโดนไฟ หรืออุณหภูมิสูงเกิน 130 °C อาจก่อให้เกิดการระเบิดได้
- กรุณาปฏิบัติตามคำแนะนำสำหรับชาร์จไฟ และห้ามชาร์จแบตเตอรี่หรือเครื่องมือในบริเวณที่มีอุณหภูมินอกเหนือไปจากที่ระบุในคำแนะนำ การชาร์จไฟที่ไม่เหมาะสม หรืออุณหภูมินอกเหนือไปจากช่วงอุณหภูมิที่ระบุในคำแนะนำอาจทำให้แบตเตอรี่เสียหายและเป็นการเพิ่มความเสี่ยงในการเกิดไฟไหม้

การซ่อมบำรุง

- นำเครื่องมือไฟฟ้าเข้ารับบริการจากช่างซ่อมที่ผ่านการรับรองโดยใช้ชื่อแบบเดียวกันเท่านั้น เพราะจะทำให้การใช้เครื่องมือไฟฟ้ามีความปลอดภัย
- ห้ามใช้ชุดแบตเตอรี่ที่เสียหาย ชุดแบตเตอรี่ที่ชำรุดเป็นชุดที่มาจากผู้ผลิต หรือผู้ให้บริการที่ได้รับอนุญาตเท่านั้น
- ปฏิบัติตามคำแนะนำในการหล่อลื่นและการเปลี่ยนอุปกรณ์เสริม

คำเตือนด้านความปลอดภัยสำหรับรถเข็นพลังงานแบตเตอรี่

- ขณะใช้งานเครื่องมือ ให้สวมใส่รองเท้าที่มีการป้องกัน และมีพื้นกันลื่นเสมอ รองเท้าและรองเท้าบูตนิรภัยที่มีพื้นกันลื่นและปิดปลายเท้าจะช่วยลดความเสี่ยงในการได้รับบาดเจ็บ
- ตรวจสอบทางเดินก่อนที่จะขยับยัดวัตถุ/วัสดุ ทำความคุ้นเคยกับทางเดินและตรวจสอบให้แน่ใจว่าทางเดินนั้นกว้างพอที่เครื่องมือซึ่งบรรทุกของอยู่จะผ่านไปได้อย่างปลอดภัยซึ่งจะช่วยลดการสูญเสียการควบคุมของเครื่องมือ
- ใช้ความระมัดระวังอย่างมากบนพื้นที่ยื่น โคลงเคลง และไม่มั่นคง พื้นผิวที่เปียกและลื่น เช่น บริเวณหญ้าที่เปียก หิมะ หรือน้ำแข็ง พื้นที่ยื่น โคลงเคลงและไม่มั่นคง เช่น พื้นผิวที่เป็นทรายหรือกรวด เนื่องจากอาจทำให้เครื่องมือสูญเสียแรงกลและอาจส่งผลเสียกับการควบคุม การเบรก และความมั่นคงของเครื่องมือ

4. อย่าใช้งานเครื่องมือบนทางที่ลาดชันมากเกินไป การทำเช่นนี้จะช่วยลดความเสี่ยงในการสูญเสียการควบคุม การลื่น และการร่วงหล่นซึ่งอาจทำให้ได้รับบาดเจ็บสาหัสได้ พื้นลาดที่มากกว่าระดับที่แนะนำ และระดับทางเอียงอาจเพิ่มความเสี่ยงให้กับความไม่มั่นคงและอาจส่งผลต่อความสามารถในการหยุดอย่างปลอดภัย
 5. ขณะทำงานบนพื้นลาด ให้จัดท่ายืนให้มั่นคงเสมอ ใช้งานเครื่องมือตามระดับผิวหน้าของพื้นผิวลาด ไม่ยกขึ้นหรือลง และใช้ความระมัดระวังอย่างมากในการเปลี่ยนทิศทางเสมอ การทำเช่นนี้จะช่วยลดความเสี่ยงในการสูญเสียการควบคุม การลื่น และการร่วงหล่นซึ่งอาจทำให้ได้รับบาดเจ็บสาหัสได้
 6. หากเป็นไปได้ ให้ใช้พื้นที่ราบในการหยุด การบรรทุก และการขนย้าย และห้ามปล่อยเครื่องมือไว้บนพื้นลาดโดยไม่มีผู้ดูแล เครื่องมือจะไม่มั่นคงเมื่อวางบนพื้นลาดมากกว่าวางบนพื้นราบ
 7. เมื่อตั้งเครื่องมือไว้โดยไม่ได้ใช้งาน ให้ตั้งเบรกจอดล้อหน้าเมื่อเครื่องมือถูกจอดไว้ในบริเวณพื้นที่หยุดที่ปลอดภัย เบรกจอดจะป้องกันการเคลื่อนที่ที่ไม่ต้องการของล้อหน้าและสามารถเพิ่มความมั่นคงได้
 8. ตรวจสอบให้แน่ใจว่าพื้นลาดนั้นไม่มีสิ่งกีดขวาง แข็งแรง และปลอดภัย เพื่อลดความเสี่ยงในการได้รับบาดเจ็บ จะต้องทำความเข้าใจความสะอาดเศษวัสดุบนพื้นลาดทั้งหมดและพื้นลาดต้องแข็งแรงพอที่จะรองรับน้ำหนักสิ่งของที่บรรทุกซึ่งจะเคลื่อนผ่านทางเหล่านั้น จะต้องมีการปิดกั้นที่เหมาะสมทั้งด้านข้างและด้านข้างของพื้นลาดเพื่อป้องกันเครื่องมือเบนออกนอกทางและการเคลื่อนที่ไปมาเมื่อมีการบรรทุก พื้นลาดทั้งหมดจะต้องกว้างพอที่จะเดินขณะขนย้ายสิ่งของที่บรรทุกผ่าน
 9. ตรวจสอบให้แน่ใจว่าสกรูล็อคทั้งหมดขันแน่นแล้วก่อนใช้งาน ยึดสกรูล็อคบนล้อหลังรวมถึงด้านหน้าและด้านข้างของโครงบรรทุกประเภทเปิดเพื่อป้องกันการเคลื่อนที่ที่ไม่ต้องการของส่วนของเครื่องมือที่ปรับได้เหล่านี้
 10. ห้ามใช้งานเครื่องมือในสภาวะที่ทำงานหนักเกินไป ตรวจสอบให้แน่ใจว่าเครื่องมือมีอัตราความสามารถที่เหมาะสมกับวัตถุหรือวัสดุที่จะขนย้าย การบรรทุกมากเกินไปจะทำให้เคลื่อนย้ายและหยุดเครื่องมือได้ยากขึ้น จะเพิ่มเวลาและระยะในการหยุด และจะเพิ่มความเสี่ยงของความไม่มั่นคง
 11. ห้ามใช้งานเครื่องมือในสภาวะที่วางซ้อนกันหลายชั้นมากเกินไป การวางซ้อนวัตถุจนเหนือขอบกระบะหรือเลยขอบด้านข้างของกระบะอาจทำให้เครื่องมือสูญเสียสมดุลและไม่สามารถควบคุมได้
 12. ใช้ภาชนะและสายรัดเพื่อบรรทุกของอย่างมั่นคง หากบรรทุกสิ่งของโดยห้อยอย่างหลวมๆ และ/หรือ ไม่แน่นอนจะมีปัญหาในการยกซึ่งอาจทำให้สูญเสียความมั่นคงและการควบคุมได้
 13. บำรุงรักษาตามจับบนมือจับเสมอ การสูญเสียการควบคุมอาจเพิ่มความเสี่ยงที่จะทำให้ได้รับบาดเจ็บสาหัสได้
 14. นำกุญแจจ็กรุกออกเมื่อไม่ได้ใช้ กุญแจจ็กรุกจะช่วยป้องกันการใช้งานเครื่องมือที่ไม่ต้องการได้ เช่น ใช้โดยเด็กหรือผู้ที่ไม่ได้ผ่านการฝึกอบรมหรือผู้ที่ไม่ได้รับอนุญาตให้ใช้ ถ้าไม่มีกุญแจ เครื่องมือจะไม่สามารถ "เปิด" ได้
 15. เครื่องจักรนี้ไม่สามารถใช้งานบนถนนสาธารณะได้ การใช้รถเข็นบนถนนสาธารณะมีความผิดทางกฎหมายและอาจทำให้ได้รับโทษตามขอบเขตอำนาจกฎหมายในท้องถิ่น นอกจากนี้ยังอาจทำให้ได้รับบาดเจ็บได้ด้วย
 16. เมื่อบรรทุกเครื่องจักรนี้หรือหลังจากการบรรทุกในการขนส่ง หรือเมื่อเคลื่อนย้ายเครื่องจักรนี้ผ่านพื้นที่ต่างระดับ ให้ใช้แผ่นปายที่แข็งแรงและมีการป้องกันการลื่นและการแยกหลุด ตรวจสอบให้แน่ใจว่าความเอียงของแผ่นปายไม่เกิน 12° และสั่งงานเครื่องจักรอย่างช้าๆ และระมัดระวัง การสั่งงานในลักษณะที่ไม่มั่นคงและอย่างรวดเร็วอาจส่งผลให้เกิดการพลิกคว่ำรวมถึงการตก
 17. ห้ามถอดแยกชิ้นส่วน ช่อมแซม หรือดัดแปลงเครื่องจักรนี้
- การเตรียมความพร้อม**
1. ก่อนใช้งานเครื่องมือ ตรวจสอบให้แน่ใจว่าไม่มีคนอยู่บริเวณเครื่องมือ
 2. ก่อนใช้งานเครื่องมือ ให้ทำการตรวจสอบโดยอ้างอิงตามส่วนการบำรุงรักษา
- การใช้งาน**
1. เมื่อใช้งานเครื่องมือ ให้ยืนหลังเครื่องและจับมือจับด้วยมือทั้งสองข้างให้แน่น
 2. อย่าใช้งานเครื่องมือขณะที่นั่งอยู่บนเครื่อง
 3. อย่าให้ผู้อื่นขึ้นไปนั่งบนเครื่อง
 4. เมื่อใช้งานเครื่องมือแบบถอยหลังและเดินถอยหลัง ให้ระวังด้านหลังคุณและการเดิน ระวังเส้นหรือสะดุด
 5. อย่าใช้เครื่องมือขณะที่มองเห็นได้ไม่ชัดเจนเพราะมีความเสี่ยงที่จะกระทบกับสิ่งกีดขวาง
 6. เมื่อใช้งานเครื่องมือบนพื้นที่ขรุขระหรือบนพื้นถนนที่ต่างระดับกัน ให้ลดความเร็วและใช้ความระมัดระวัง

7. เมื่อใช้เครื่องมือ ให้หลีกเลี่ยงพื้นที่นุ่มเพื่อป้องกันการพลิกกลับเนื่องจากการยุบลงของไหล่ทาง
8. อย่าใช้งานเครื่องมือบนพื้นที่ลาดเอียงที่เกินกว่า 12°
9. หากพบความผิดปกติใดๆ ให้หยุดเครื่องบนพื้นที่ราบเรียบ ก่อนทำการตรวจสอบเครื่องมือ ให้ล็อคล้อก่อนเบรก และปิดเครื่อง
10. ก่อนใช้งานเครื่องมือ ตรวจสอบให้แน่ใจว่ามีมือจับของชุดตัดที่ถูกดึงลงจนสุดและล็อคนั้นหนาดีแล้ว หากล็อคล้อไม่แน่นหนา อาจมีความเสี่ยงในการเกิดอุบัติเหตุหรือได้รับบาดเจ็บเนื่องจากโครงบรรทุกหรือกระบอกอาจเอียงและของจะร่วงหล่นลงมาขณะทำงานที่ลาดเอียงได้
11. เมื่อใช้งานเครื่องมือใกล้กับกำแพง ระวังอย่าให้มือเข้าไปติดระหว่างมือจับและกำแพง
12. อย่าใช้เครื่องมือในสภาพอากาศที่ย่ำแย่ โดยเฉพาะอย่างยิ่งเมื่อมีความเสี่ยงที่จะเกิดฟ้าผ่า ซึ่งจะช่วยลดความเสี่ยงในการถูกฟ้าผ่า
13. อย่าสัมผัสกับชิ้นส่วนโลหะในระหว่างการใช้งานหรือหลังจากการใช้งานเนื่องจากชิ้นส่วนอาจเกิดความร้อนจากแสงแดดจนลวกผิวได้
14. ระวังอย่าให้สายไฟพันกับของที่บรรทุกหรือสิ่งกีดขวาง
15. เมื่อข้ามสะพานไม้ ฯลฯ ตรวจสอบให้แน่ใจว่าน้ำหนักรวมของผลิตภัณฑ์ ความสูงการบรรทุก และน้ำหนักของผู้ใช้งานไม่เกินขีดจำกัดน้ำหนักที่สะพานรองรับได้ และให้ข้ามสะพานอย่างระมัดระวังด้วยความเร็ววงที่
16. สวมใส่ถุงมือเมื่อใช้งานเครื่องมือในสภาพแวดล้อมที่อุณหภูมิต่ำ การสัมผัสชิ้นส่วนโลหะด้วยมือเปล่าอาจทำให้มือของคุณติดกับชิ้นส่วนโลหะได้
17. หากมีต้นหรือสิ่งกีดขวางในทิศทางการเคลื่อนที่ ให้หลีกเลี่ยงล่วงหน้า
18. อย่าดักของโดยตรงด้วยโครงบรรทุกหรือกระบอก การทำเช่นนั้นอาจทำให้เครื่องมือเสียหายและเกิดอุบัติเหตุได้
19. เมื่อคุณใช้เครื่องบนพื้นโคลน พื้นลาดที่เปียก หรือบริเวณที่ลื่น โปรดระมัดระวังการทรงตัว
20. อย่าให้เครื่องมืออยู่ในแองจ์น้ำ
21. เมื่อคุณออกห่างจากเครื่องในขณะที่ทำงานอยู่ ตรวจสอบให้แน่ใจว่าชุดตัดหลักมาอยู่ในตำแหน่งเดิมและล็อคล้อก่อนเบรก รวมถึงถอดกุญแจแล้ว
22. อย่าปล่อยเครื่องมือทิ้งไว้โดยไม่ผู้ดูแลในขณะที่บรรทุกสิ่งของบนโครงบรรทุกหรือกระบอก

การใช้งานบนพื้นลาด

1. อย่าใช้งานแบบขวางบนพื้นลาด
2. หยุดเครื่องก่อนลงพื้นที่ลาดเอียง ลดความเร็วและใช้ความระมัดระวัง
3. หากความเร็วสูงเกินไปเมื่อเคลื่อนที่ลงพื้นที่ลาดเอียง เสียงเตือนจะดังขึ้น ในกรณีนี้ ให้ลดความเร็วลงโดยใช้เบรก
4. ใช้ความระมัดระวังขณะสตาร์ทเครื่องหรือหยุดเครื่องบนพื้นที่ลาดชัน
5. ให้รัศมีของวงที่ใส่ให้แน่นด้วยเชือก เนื่องจากสิ่งของที่บรรทุกจะมีความมั่นคงน้อยบนพื้นลาด
6. เนื่องจากเครื่องมือจะไม่มั่นคงขึ้นอยู่กับสภาพของถนน ดังนั้นให้บรรทุกของให้น้อยที่สุด
7. เนื่องจากการมองเห็นบนพื้นลาดจะเห็นไม่ชัด ดังนั้นให้บรรทุกสิ่งของในระดับความสูงที่ต่ำที่สุด
8. อย่าหยุดเครื่องมือบนพื้นที่ลาดเอียง หยุดเครื่องมือบนพื้นที่ราบ และล็อคล้อก่อนเบรก จากนั้นเปิดเครื่อง
9. อย่าเปลี่ยนทิศทางหรือโหมดความเร็วบนพื้นลาดชัน
10. อย่าปล่อยสวิตช์สั่งงานบนทางขึ้นพื้นลาด เพราะเครื่องมืออาจถอยหลังและทำให้เกิดอุบัติเหตุได้
11. ตรวจสอบให้แน่ใจว่าความจุแบตเตอรี่ยังคงเหลือเพียงพอที่จะใช้งานบนพื้นลาด หากความจุแบตเตอรี่ที่เหลืออยู่ไม่เพียงพอ ให้ชาร์จแบตเตอรี่หรือเปลี่ยนแบตเตอรี่ที่ชาร์จแล้ว
12. เมื่อเริ่มใช้งานเครื่องมือบนพื้นที่ลาดเอียง อย่าวางเท้าไว้หลังล้อหลังเนื่องจากเครื่องมืออาจเคลื่อนที่ถอยหลังสองสามเซนติเมตร

การบรรทุกวัตถุ

1. อย่าบรรทุกวัตถุมากเกินไป ขณะบรรทุกวัตถุ ตรวจสอบให้แน่ใจว่าปฏิบัติตามคำแนะนำและข้อจำกัดในการบรรทุกของตามคู่มือแล้ว
2. เมื่อของมีขนาดใหญ่ จะใช้งานเครื่องมือได้ยากขึ้น ให้ทำการบรรทุกของในช่วงขนาดที่ไม่กระทบกับการทำงาน
3. ยึดวัตถุให้แน่นหนาด้วยเชือก
4. ใส่วัตถุให้อยู่ภายในโครงบรรทุกหรือกระบอก หากวัตถุยื่นออกมานอกโครงบรรทุกหรือกระบอก อาจมีความเสี่ยงในการเกิดอุบัติเหตุเนื่องจากสิ่งของอาจตกลงมาหรือชนกับสิ่งกีดขวาง เช่น กำแพง
5. ตรวจสอบให้แน่ใจว่าวัตถุที่บรรทุกอยู่ต่ำกว่าระดับสายตา หากสิ่งของที่บรรทุกสูงเกินไปจะเป็นอันตราย เพราะมองเห็นได้ไม่ชัด ดังนั้นจึงมีความเสี่ยงที่จะพลิกกลับและได้รับบาดเจ็บเนื่องจากของที่บรรทุกนั้นมีแนวโน้มที่จะสูญเสียความสมดุล

- ใส่วัตถุภายในโครงบรรทุกหรือกระเปาะให้เสมอกัน หากวัตถุที่ใส่ไม่เรียบเสมอกัน มีความเสี่ยงที่จะเกิดการพลิกกลับและได้รับบาดเจ็บเนื่องจากสิ่งของที่บรรทุกนั้นมีแนวโน้มที่จะสูญเสียความสมดุล
- ก่อนบรรทุกของหรือใช้งานเครื่องมือ ตรวจสอบให้แน่ใจว่ามือจับของชุดตัดมีถูกดึงลงจนสุดและล็อกแน่นหนาดีแล้ว
- ตรวจสอบให้แน่ใจว่าได้บรรทุกวัตถุที่หนักก่อนเพื่อรักษาสมดุล
- อย่ายึดราวด้านหน้าและด้านข้างของกบนพื้นลาดชัน ยึดราวด้านข้างออกเมื่อใส่ของที่มีน้ำหนักเบา
- เมื่อต้องการจะยึดราวด้านหน้าและด้านข้างออก อย่ายึดออกจนเกินขีดจำกัดการที่สามารถยึดได้ ตรวจสอบให้แน่ใจว่าได้ยึดราวด้านข้างออกโดยให้ด้านซ้ายและด้านขวามีความยาวเท่ากัน และบรรทุกวัตถุให้เสมอกัน
- บรรทุกและนำของออกบนพื้นที่ราบเรียบ ห้ามบรรทุกหรือนำของออกขณะอยู่บนพื้นที่ลาดเอียง
- ขณะยกและเอียงโครงบรรทุกหรือกระเปาะ ให้จับมือจับและโครงให้แน่น และทำงานในท่าที่มั่นคง

การขนย้ายเครื่องมือ

- ใช้รางบันไดที่ยาวกว่าความสูงของพื้นรถบรรทุกอย่างน้อย 4 เท้า โดยใช้อุปกรณ์ยึดที่เหมาะสมสำหรับพื้นรถบรรทุก ซึ่งพื้นผิวไม่ลื่น และมีความกว้างเพียงพอ รวมทั้งสามารถรองรับน้ำหนักของเครื่องมือและผู้ใช้งานได้ อ่านคู่มือการใช้งานของรางบันไดอย่างละเอียดก่อนใช้งาน
- ก่อนบรรทุกเครื่องมือ ให้นำของทั้งหมดออกจากเครื่อง แล้วทำความสะอาดโคลนและเศษต่างๆ ออกจากล้อ ติดตั้งรางบันไดบนพื้นผิวที่ราบเรียบและมั่นคง
- ก่อนบรรทุกหรือนำเครื่องมือออก ตรวจสอบให้แน่ใจว่าไม่มีคนอื่นอยู่รอบเครื่องมือและรางบันได บรรทุกหรือนำเครื่องมือออกข้างๆ โดยใช้ความระมัดระวังเพื่อป้องกันเครื่องมือหล่นออกจากรางบันได และระวังอย่าให้ศีรษะของคุณกระแทกกับเพดานของรถบรรทุก ใช้ความระมัดระวังอย่างสูงเมื่อบรรทุกหรือนำเครื่องมือออกแบบถอยหลัง
- เมื่อขนย้ายเครื่องมือ ให้ล็อกก้านเบรก ปิดเครื่อง ถอดแบตเตอรี่ออก และล็อกกุญแจ จากนั้นยึดเครื่องมือให้แน่น

การบำรุงรักษาและการเก็บรักษา

- ก่อนจัดเก็บหรือพยายามทำการตรวจสอบหรือบำรุงรักษา ให้หยุดเครื่องบนพื้นราบและล็อกก้านเบรกทุกครั้ง จากนั้นปิดเครื่อง แล้วถอดกุญแจล็อกและดับแบตเตอรี่ออก
- อย่าทิ้งเครื่องไว้ข้างนอกกลางฝนโดยไม่มียูนิแล
- เมื่อเก็บเครื่อง หลีกเลี่ยงที่ที่ได้รับแสงอาทิตย์โดยตรงหรือฝน และเก็บไว้ในที่ที่ไม่เกิดความร้อนหรือความชื้น
- เครื่องมือที่มีอุปกรณ์ระบบไฮดรอลิกติดตั้งอยู่ด้านล่างชุดตัดมีเพื่อให้เอียงชุดตัดมีได้โดยอัตโนมัติ อย่าดัดแปลงอุปกรณ์ระบบไฮดรอลิก หรืออย่าคลายสลักเกลียวยึดของอุปกรณ์ระบบไฮดรอลิกหรือสกรูปรับของวาล์วระบายแรงดัน การกระทำดังกล่าวอันตรายมากเนื่องจากอาจทำให้เกิดอุบัติเหตุหรือเครื่องมือทำงานผิดปกติได้

การใช้งานและดูแลเครื่องมือที่ใช้แบตเตอรี่

- ชาร์จไฟใหม่ด้วยเครื่องชาร์จที่ระบุโดยผู้ผลิตเท่านั้น เครื่องชาร์จที่เหมาะสมสำหรับชุดแบตเตอรี่ประเภทหนึ่ง อาจเสี่ยงที่จะเกิดไฟไหม้หากนำไปใช้กับชุดแบตเตอรี่อีกประเภทหนึ่ง
- ใช้เครื่องมือไฟฟ้ากับชุดแบตเตอรี่ที่กำหนดมาโดยเฉพาะเท่านั้น การใช้ชุดแบตเตอรี่ประเภทอื่นอาจทำให้เสี่ยงที่จะได้รับบาดเจ็บและเกิดไฟไหม้
- เมื่อไม่ใช้งานชุดแบตเตอรี่ ให้เก็บห่างจากวัตถุที่เป็นโลหะอื่นๆ เช่น คลิปหนีบกระดาษ เหรียญ กุญแจ กรรไกรตัดเล็บ สกรู หรือวัตถุที่เป็นโลหะขนาดเล็กอื่นๆ ที่สามารถเชื่อมต่อขั้วหนึ่งกับอีกขั้วหนึ่งได้ การลัดวงจรขั้วแบตเตอรี่อาจทำให้อ่อนจัดหรือเกิดไฟไหม้
- ในกรณีที่ใช้งานไม่ถูกต้อง อาจมีของเหลวไหลออกจากแบตเตอรี่ ให้หลีกเลี่ยงการสัมผัส หากสัมผัสโดนของเหลวโดยไม่ได้ตั้งใจ ให้ล้างออกด้วยน้ำ หากของเหลวกระเด็นเข้าตา ให้รีบไปพบแพทย์ ของเหลวที่ไหลออกจากแบตเตอรี่อาจทำให้ผิวหนังระคายเคืองหรือไหม้
- ห้ามใช้ชุดแบตเตอรี่หรือเครื่องมือที่ชาร์จหรือมีการแก้ไข แบตเตอรี่ที่เสียหายหรือมีการแก้ไขอาจทำให้เกิดสิ่งที่ไม่ถึงได้ เช่น ไฟไหม้ ระเบิด หรือเสี่ยงต่อการบาดเจ็บ
- ห้ามใช้ชุดแบตเตอรี่อยู่ใกล้ไฟ หรือบริเวณที่มีอุณหภูมิสูงเกิน หากโดนไฟ หรืออุณหภูมิสูงเกิน 130 °C อาจก่อให้เกิดการระเบิดได้

7. กรุณาปฏิบัติตามคำแนะนำสำหรับการชาร์จไฟ และห้ามชาร์จแบตเตอรี่หรือเครื่องมือในบริเวณที่มีอุณหภูมินอกเหนือไปจากที่ระบุในคำแนะนำ การชาร์จไฟที่ไม่เหมาะสม หรืออุณหภูมิที่นอกเหนือไปจากช่วงอุณหภูมิที่ระบุในคำแนะนำอาจทำให้แบตเตอรี่เสียหายและเป็นการเพิ่มความเสี่ยงในการเกิดไฟไหม้

ความปลอดภัยทางไฟฟ้าและแบตเตอรี่

1. อย่าก่อกำจัดแบตเตอรี่ในไฟ แบตเตอรี่อาจจะระเบิดได้ ตรวจสอบรหัสท้องถิ่นสำหรับคำแนะนำเกี่ยวกับการกำจัดทั้งแบบพิเศษ
2. อย่าเปิดหรือทำให้แบตเตอรี่เสียหาย อิเล็กโทรไลต์ที่ถูกปล่อยออกมามีคุณสมบัติกัดกร่อน และอาจทำลายดวงตาหรือผิวหนังได้ อาจเป็นพิษหากกลืนกินเข้าไป
3. อย่าชาร์จแบตเตอรี่กลางฝนหรือในสถานที่ที่เปียก
4. ห้ามชาร์จไฟนอกบ้าน หรือกลางแจ้ง
5. ห้ามจับอุปกรณ์ชาร์จรวมถึงปลั๊กเครื่องชาร์จและขั้วอุปกรณ์ชาร์จด้วยมือที่เปียก
6. อย่าเปลี่ยนแบตเตอรี่กลางฝน
7. อย่าให้ขั้วแบตเตอรี่เปียกของเหลว เช่น น้ำ หรืออย่าให้แบตเตอรี่แช่ในน้ำ อย่าทิ้งแบตเตอรี่ไว้กลางฝน และไม่ใช่ชาร์จ ใช้ หรือเก็บแบตเตอรี่ในสถานที่ที่ชื้นหรือเปียก หากขั้วเปียกหรือของเหลวเข้าไปด้านในแบตเตอรี่ แบตเตอรี่อาจลัดวงจร และมีความเสี่ยงที่จะเกิดความร้อนสูง ไฟไหม้ หรือระเบิดได้
8. หลังนำแบตเตอรี่ออกจากเครื่องหรือเครื่องชาร์จแล้ว ตรวจสอบให้แน่ใจว่าได้ใส่ฝาครอบแบตเตอรี่เข้ากับแบตเตอรี่ และเก็บไว้ในที่แห้ง
9. อย่าเปลี่ยนแบตเตอรี่ด้วยมือที่เปียก
10. หลีกเลี่ยงการใช้งานในสภาพแวดล้อมที่อันตราย ห้ามใช้เครื่องในพื้นที่เปียกชื้นหรือโดนฝน น้ำที่เข้าไปในเครื่องจะเพิ่มความเสี่ยงในการเกิดไฟฟ้าช็อต
11. หากดัดแปลงแบตเตอรี่เปียก ให้ระบายน้ำภายในออกแล้วเช็ดด้วยผ้าแห้ง ปล่อยให้ดัดแปลงแบตเตอรี่แห้งสนิทในที่แห้งก่อนใช้งาน

ปฏิบัติตามคำแนะนำเหล่านี้

คำเตือน: อย่าให้ความไม่ระมัดระวังหรือความคุ้นเคยกับผลิตภัณฑ์ (จากการใช้งานซ้ำหลายครั้ง) อยู่เหนือการปฏิบัติตามกฎเกณฑ์ด้านความปลอดภัยในการใช้งาน ผลิตภัณฑ์อย่างเคร่งครัด การใช้งานอย่างไม่เหมาะสมหรือการไม่ปฏิบัติตามกฎเกณฑ์ด้านความปลอดภัยในคู่มือการใช้งานนี้อาจทำให้ได้รับบาดเจ็บร้ายแรง

คำแนะนำเพื่อความปลอดภัยที่สำคัญสำหรับดัลลิบแบตเตอรี่

1. ก่อนใช้งานดัลลิบแบตเตอรี่ ให้อ่านคำแนะนำและเครื่องหมายเตือนทั้งหมดบน (1) เครื่องชาร์จแบตเตอรี่ (2) แบตเตอรี่ และ (3) ตัวผลิตภัณฑ์ที่ใช้แบตเตอรี่
2. อย่าถอดแยกชิ้นส่วนหรือทำการดัดแปลงดัลลิบแบตเตอรี่ เนื่องจากอาจทำให้เกิดไฟไหม้ ความร้อนที่สูงเกินไป หรือระเบิดได้
3. หากระยะเวลาที่เครื่องทำงานสั้นเกินไป ให้หยุดใช้งานทันที เนื่องจากอาจมีความเสี่ยงที่จะร้อนจัด ไหม้หรือระเบิดได้
4. หากสารละลายอิเล็กโทรไลต์กระเด็นเข้าตา ให้ล้างออกด้วยน้ำเปล่าและรีบไปพบแพทย์ทันที เนื่องจากอาจทำให้ตาบอด
5. ห้ามลัดวงจรดัลลิบแบตเตอรี่:
 - (1) ห้ามแตะขั้วกับวัตถุที่เป็นสื่อไฟฟ้าใดๆ
 - (2) หลีกเลี่ยงการเก็บดัลลิบแบตเตอรี่ไว้ในภาชนะร่วมกับวัตถุที่เป็นโลหะ เช่น กรรไกรตัดเล็บ เหรียญ ฯลฯ
 - (3) อย่าให้ดัลลิบแบตเตอรี่ถูกน้ำหรือฝน แบตเตอรี่ลัดวงจรอาจทำให้เกิดการไหลของกระแสไฟฟ้า ร้อนจัด ไหม้หรือเสียหายได้
6. ห้ามเก็บและใช้เครื่องมือและดัลลิบแบตเตอรี่ไว้ในสถานที่ที่อุณหภูมิสูงถึงหรือเกิน 50 °C (122 °F)
7. ห้ามเผาตลับแบตเตอรี่ทิ้ง แม้ว่าแบตเตอรี่จะเสียหายจนใช้การไม่ได้หรือเสื่อมสภาพแล้ว ดัลลิบแบตเตอรี่อาจจะระเบิดในกองไฟ
8. อย่าตกตะปุด ตบ ขว้าง หรือทำดัลลิบแบตเตอรี่หล่นพื้น หรือกระแทกตลับแบตเตอรี่กับวัตถุของแข็ง การกระทำดังกล่าวอาจส่งผลให้เกิดไฟไหม้ ความร้อนที่สูงเกินไป หรือระเบิดได้
9. ห้ามใช้แบตเตอรี่ที่เสียหาย
10. แบตเตอรี่ลิเทียมไอออนที่มีมาให้ห็นเป็นไปตามข้อกำหนดของ Dangerous Goods Legislation สำหรับการขนส่งเพื่อการพาณิชย์ เช่น โดยบุคคลที่สาม ตัวแทนขนส่งสินค้า จะต้องตรวจสอบข้อกำหนดพิเศษในด้านการบรรจุหีบห่อหรือการติดป้ายสินค้าในการเตรียมสินค้าที่จะขนส่ง ให้ปรึกษาผู้เชี่ยวชาญด้านวัตถุอันตราย โปรดตรวจสอบข้อกำหนดในประเทศที่อาจมีรายละเอียดอื่น ๆ เพิ่มเติม ให้ติดเทปหรือปิดหน้าสัมผัสและห่อแบตเตอรี่ในลักษณะที่แบตเตอรี่จะไม่เคลื่อนที่ไปมาในหีบห่อ

11. เมื่อกำจัดดัลบแบตเตอรี่ ให้ถอดดัลบแบตเตอรี่ออกจากเครื่องมือและกำจัดในสถานที่ที่ปลอดภัย ปฏิบัติตามข้อบังคับในท้องถิ่นที่เกี่ยวกับการกำจัดแบตเตอรี่
12. ใช้แบตเตอรี่กับผลิตภัณฑ์ที่ระบุโดย Makita เท่านั้น การติดตั้งแบตเตอรี่ในผลิตภัณฑ์ที่ไม่ใช่ตามที่ระบุอาจทำให้เกิดไฟไหม้ ความร้อนสูง ระเบิด หรืออิเล็กทรอนิกส์รั่วไหลได้
13. หากไม่ใช่เครื่องมือเป็นระยะเวลานาน จะต้องถอดแบตเตอรี่ออกจากเครื่องมือ
14. ในระหว่างและหลังการใช้งาน ดัลบแบตเตอรี่อาจร้อน ซึ่งอาจลวกผิวหรือทำให้ผิวหนังไหม้ที่อุณหภูมิต่ำได้ โปรดระมัดระวังในการจัดการกับแบตเตอรี่ที่ร้อน
15. อย่าสัมผัสขั้วของเครื่องมือทันทีหลังจากการใช้งาน เนื่องจากอาจมีความร้อนพอที่จะทำให้ผิวหนังไหม้ได้
16. อย่าปล่อยให้เศษวัสดุ ผุ่นผง หรือดินเข้าไปติดอยู่ในขั้ว รู และร่องของดัลบแบตเตอรี่ เนื่องจากอาจทำให้เกิดความร้อน ไฟไหม้ ระเบิด และทำให้เครื่องมือหรือดัลบแบตเตอรี่ทำงานผิดปกติ ส่งผลให้โดนลวกหรือเกิดการบาดเจ็บได้
17. หากเครื่องมือไม่รองรับสายไฟแรงดันสูง อย่าใช้ดัลบแบตเตอรี่ใกล้กับสายไฟแรงดันสูง เนื่องจากเครื่องมือหรือดัลบแบตเตอรี่อาจทำงานผิดปกติหรือเสียหายได้
18. เก็บแบตเตอรี่ให้ห่างจากเด็ก

ปฏิบัติตามคำแนะนำเหล่านี้

⚠️ ข้อควรระวัง: ใช้แบตเตอรี่ของแท้จาก Makita เท่านั้น การใช้แบตเตอรี่ Makita ที่ไม่แท้ หรือแบตเตอรี่ที่ถูกเปลี่ยน อาจทำให้แบตเตอรี่ระเบิด ก่อให้เกิดเพลิงลุกไหม้ การบาดเจ็บ และความเสียหายได้ และจะทำให้การรับประกันของ Makita สำหรับเครื่องมือและแท่นชาร์จของ Makita เป็นโมฆะด้วย

เคล็ดลับในการรักษาอายุการใช้งานของแบตเตอรี่ให้ยาวนานที่สุด

1. ชาร์จดัลบแบตเตอรี่ก่อนที่ไฟจะหมด หยุดการใช้งานแล้วชาร์จประจุไฟฟ้าใหม่ทุกครั้งเมื่อคุณรู้สึกว่าคุณปรารถนามีกำลังลดลง
2. อย่าชาร์จดัลบแบตเตอรี่ที่มีไฟเต็มแล้ว การชาร์จประจุไฟฟ้ามากเกินไปอาจจะทำให้อายุการใช้งานของดัลบแบตเตอรี่สั้นลง
3. ชาร์จประจุไฟฟ้าดัลบแบตเตอรี่ในห้องที่มีอุณหภูมิระหว่าง 10 °C - 40 °C ปล่อยให้ดัลบแบตเตอรี่เย็นลงก่อนที่จะชาร์จไฟ
4. เมื่อไม่ใช่ดัลบแบตเตอรี่ ให้ถอดออกจากเครื่องมือหรือเครื่องชาร์จ
5. ชาร์จไฟดัลบแบตเตอรี่หากคุณไม่ต้องการใช้เป็นเวลานาน (เกินกว่าหกเดือน)

คำอธิบายชิ้นส่วนต่างๆ

เมื่อติดตั้งกระเบ

▶ หมายเลข 1

1	สวิทช์เอียง	2	แผงควบคุม	3	ปุ่มเสียงเตือน	4	สวิทช์สั่งงาน
5	ไฟด้านหลัง	6	มือจับ	7	กล่องแบตเตอรี่	8	ก้านเบรก
9	ล้อหลัง	10	ล้อคล้อด้านหลัง	11	ก้านล้อ	12	ชุดดัมพ์
13	ล้อหน้า	14	ไฟด้านหน้า	15	กระเบ	-	-

เมื่อดัดตั้งโครงบรรทุก

► หมายเลข 2

1	สวิตช์เสียง	2	แผงควบคุม	3	ปุ่มเสียงเตือน	4	สวิตช์สั่งงาน
5	ไฟด้านหลัง	6	มือจับ	7	กล่องแบตเตอรี่	8	ก้านเบรก
9	ล้อหลัง	10	ล้อคล้อด้านหลัง	11	ก้านล้อค	12	ล้อหน้า
13	ไฟด้านหน้า	14	โครงบรรทุก	-	-	-	-

การประกอบ

⚠ ข้อควรระวัง: ตรวจสอบให้แน่ใจว่าปิดสวิตช์เครื่องมือและนำดัลับแบตเตอรี่ออกแล้วก่อนทำงานใดๆ บนเครื่องมือ

ก่อนติดตั้งหรือถอดโครงบรรทุกหรือกระบะ ตรวจสอบให้แน่ใจว่าล้อคก้านเบรกแล้ว การล้อคก้านเบรก ให้ดึงก้านเบรกค้างไว้ จากนั้นดึงก้านล้อค แล้วปล่อยก้านเบรกพร้อมกับดึงก้านล้อค

► หมายเลข 3: 1. ก้านเบรก 2. ก้านล้อค

การติดตั้งและถอดกระบะ

การติดตั้งกระบะ

- นำกระบะ ฝากยึด และท่อด้านหน้าออกจากกล่อง
► หมายเลข 4: 1. กระบะ 2. ฝากยึด 3. ท่อด้านหน้า
- สอดท่อด้านหน้าเข้าไประหว่างกรอบด้านบนและกรอบด้านล่างของชุดดัมพ์
► หมายเลข 5: 1. ท่อด้านหน้า
- วางฝากยึดบนชุดดัมพ์ จากนั้นขันสลักเกลียวของท่อด้านหน้าเข้าด้วยกันชั่วคราว ติดตั้งฝากยึดเข้ากับชุดดัมพ์ในแบบเดียวกัน
► หมายเลข 6: 1. ฝากยึด 2. สลักเกลียว
- วางกระบะบนท่อด้านหน้าและฝากยึดด้านซ้ายและขวา วางแหวนยางบนรูของกระบะ และสอดสลักเกลียวจากด้านบน ใส่แหวนแบนและแหวนสปริงลงในสลักเกลียวตามลำดับ จากนั้นขันน็อตจากด้านล่างให้แน่น ขันสลักเกลียวและน็อตที่เหลือในแบบเดียวกัน
► หมายเลข 7: 1. สลักเกลียว 2. แหวนยาง 3. แหวนแบน 4. แหวนสปริง 5. น็อต
- ขันสลักเกลียว 4 ตัวซึ่งได้ขันไว้ชั่วคราวในขั้นตอนที่ 3 ให้แน่น

การถอดกระบะ

การถอดกระบะ ให้ทำตามขั้นตอนการติดตั้งแบบย้อนกลับ

การติดตั้งและถอดโครงบรรทุก

อุปกรณ์เสริม

การติดตั้งโครงบรรทุก

- นำโครงบรรทุกออกจากกล่อง จากนั้นยึดราวด้านข้างและด้านหน้าเข้ากับโครงฐาน

► หมายเลข 8

- ขันน็อตมือหมุน 6 ตัวเข้ากับสปริงและแหวนรองเพื่อยึดราว

► หมายเลข 9: 1. น็อตมือหมุน 2. สปริง 3. แหวนรอง

- วางโครงบรรทุกบนชุดดัมพ์

สอดสลักเกลียวจากด้านบน ใส่แหวนแบนและแหวนสปริงลงในสลักเกลียวตามลำดับ จากนั้นขันน็อตจากด้านล่างให้แน่น ขันสลักเกลียวและน็อตที่เหลือในแบบเดียวกัน

► หมายเลข 10: 1. สลักเกลียว 2. แหวนแบน 3. แหวนสปริง 4. น็อต

การถอดโครงบรรทุก

การถอดโครงบรรทุก ให้ทำตามขั้นตอนการติดตั้งแบบย้อนกลับ

คำอธิบายการทำงาน

⚠ ข้อควรระวัง: ตรวจสอบให้แน่ใจเสมอว่าปิดสวิตช์เครื่องมือและนำดัลับแบตเตอรี่ออกแล้วก่อนทำการปรับหรือตรวจสอบฟังก์ชันของเครื่อง

การใส่หรือการถอดตั้บแบตเตอรี

⚠ ข้อควรระวัง: ปิดสวิตช์เครื่องและล๊อคก้านเบรกก่อนติดตั้งและถอดตั้บแบตเตอรีทุกครั้ง

⚠ ข้อควรระวัง: ใส่ตั้บแบตเตอรีเข้าจนสุดจนไม่เห็นส่วนสีแดงอีกเสมอ ไม่เช่นนั้นตั้บแบตเตอรีอาจหลุดออกจากเครื่องมือโดยไม่ได้ตั้งใจ ทำให้คุณหรือคนรอบข้างได้รับบาดเจ็บ

⚠ ข้อควรระวัง: อย่าฝืนติดตั้งตั้บแบตเตอรีโดยใช้แรงมากเกินไป หากตั้บแบตเตอรีไม่เลื่อนเข้าไปโดยง่าย แสดงว่าใส่ไม่ถูกต้อง

⚠ ข้อควรระวัง: อย่าใช้ตั้บแบตเตอรีที่มีอุณหภูมิสูงเมื่อตั้บแบตเตอรีที่มีอุณหภูมิสูง เครื่องยนต์จะหยุดอัตโนมัติก่อนเสียงเตือนแบบสั่นจะดังขึ้น และอาจทำให้ได้รับบาดเจ็บได้

⚠ ข้อควรระวัง: ระวังอย่าให้หนีบนิ้วขณะเปิดหรือปิดฝาครอบแบตเตอรี

ข้อสังเกต: ตรวจสอบให้แน่ใจว่าคุณล๊อคฝาครอบแบตเตอรีก่อนใช้งาน มิฉะนั้น โคลน ฝุ่น หรือน้ำอาจทำให้เกิดความเสียหายต่อผลิตภัณฑ์หรือตั้บแบตเตอรีได้

การใส่ตั้บแบตเตอรี

1. ดึงก้านเบรกขึ้น จากนั้นเปิดฝาครอบกล่องแบตเตอรี
- ▶ **หมายเลข 11:** 1. ฝาครอบ 2. ก้านล๊อค
2. จัดลึนของตั้บแบตเตอรีให้ตรงกับช่องของกล่องแบตเตอรี แล้วเลื่อนตั้บจนล๊อคเข้าที่และมีเสียงคลิกเบาๆ
- ▶ **หมายเลข 12:** 1. ตั้บแบตเตอรี
3. สอดกุญแจล๊อคเข้าที่จนสุดตามที่แสดงในภาพ แล้วหมุนตามเข็มนาฬิกา

▶ **หมายเลข 13:** 1. กุญแจล๊อค

หมายเหตุ: การหมุนกุญแจล๊อค ให้สอดกุญแจล๊อคจนสุด

4. ปิดฝาครอบกล่องแบตเตอรี

▶ **หมายเลข 14:** 1. ฝาครอบ

การถอดตั้บแบตเตอรี

1. ดึงก้านเบรกขึ้น จากนั้นเปิดฝาครอบกล่องแบตเตอรี
2. ดึงตั้บแบตเตอรีออกจากกล่องแบตเตอรีในขณะที่ยกปั๊มที่ด้านหน้าของตั้บไว้
- ▶ **หมายเลข 15:** 1. ปั๊ม

3. หมุนกุญแจล๊อคทวนเข็มนาฬิกา แล้วดึงออก

4. ปิดฝาครอบกล่องแบตเตอรี

ระบบป้องกันเครื่องมือ/แบตเตอรี

เครื่องมือนี้มีระบบป้องกันเครื่อง/แบตเตอรี ระบบนี้จะตัดไฟที่ส่งไปยังมอเตอร์โดยอัตโนมัติเพื่อหยุดการใช้งานเครื่องมือและแบตเตอรี เครื่องมือจะหยุดทำงานระหว่างการใช้งานโดยอัตโนมัติ หากเครื่องมือหรือตั้บแบตเตอรีอยู่ภายใต้สภาวะดังต่อไปนี้
เสียงเตือนสั้นหรือยาวจะดังขึ้นก่อนเครื่องหยุดโดยอัตโนมัติ ไฟแสดงสถานะแบตเตอรีและดวงไฟบนแผงควบคุมจะกะพริบพร้อมกับส่งเสียงเตือน

หมายเหตุ: เมื่อต้องการปิดเสียงเตือน ให้ปล่อยสวิตช์สั่งงานและดึงก้านเบรก

การป้องกันโอเวอร์โหลด

เมื่อเครื่องมือ/แบตเตอรีทำงานในลักษณะที่ทำให้เกิดการดึงกระแสไฟฟ้าผิดปกติ เครื่องมือจะหยุดทำงานโดยอัตโนมัติ และดวงไฟหลักจะกะพริบเป็นสีเขียว ในสถานการณ์นี้ ให้ปิดเครื่อง และหยุดการใช้งานที่ทำให้เครื่องมือทำงานหนักเกินไป เช่นการลัดวงจรที่บรรทุก จากนั้นเปิดเครื่องเพื่อเริ่มการทำงานอีกครั้ง

การป้องกันความร้อนสูงเกิน

เมื่อเครื่องมือเกิดความร้อนสูงเกินไป เครื่องมือจะหยุดทำงานโดยอัตโนมัติ และดวงไฟหลักจะสว่างเป็นสีแดง ในกรณีเช่นนี้ให้ปล่อยให้เครื่องมือและแบตเตอรีเย็นลงก่อนที่จะเปิดเครื่องอีกครั้ง

การป้องกันไฟหมด

เมื่อความจุแบตเตอรีไม่เพียงพอ ดวงไฟหลักและไฟแสดงสถานะแบตเตอรีที่เกี่ยวข้องจะกะพริบเป็นสีแดง ในกรณีนี้ให้เปลี่ยนตั้บแบตเตอรี หรือเปลี่ยนตั้บแบตเตอรีเป็นก้อนที่ชาร์จเต็มแล้ว หรือถอดตั้บแบตเตอรีออกจากเครื่องมือแล้วนำไปชาร์จ

หมายเหตุ: ไฟหลักจะกะพริบเป็นสีแดงเมื่อแบตเตอรีเกิดความร้อนสูงเกินไป

การป้องกันจากสาเหตุอื่นๆ

ข้อสังเกต: ดวงไฟหลักจะกะพริบเป็นสีเขียวและสีแดงสลับกันเมื่อมีความผิดปกติเกิดขึ้นในเครื่องมือ ในกรณีนี้โปรดดูที่ส่วนการแก้ไขปัญหา

ระบบป้องกันยังได้รับการออกแบบสำหรับสาเหตุอื่น ๆ ที่อาจทำให้เครื่องเสียหายและช่วยให้เครื่องหยุดทำงานได้โดยอัตโนมัติ ให้ปฏิบัติตามขั้นตอนต่อไปเพื่อแก้ไขปัญหาเมื่อเครื่องหยุดชะงักชั่วคราวหรือหยุดทำงาน

1. ปิดเครื่องแล้วเปิดใหม่เพื่อเริ่มใช้งานอีกครั้ง
2. ชาร์จหรือเปลี่ยนแบตเตอรี่โดยนำแบตเตอรี่ที่ชาร์จแล้วมาใช้แทน
3. ปลดปล่อยเครื่องและแบตเตอรี่เย็นลง

ข้อสังเกต: หากไม่ดีขึ้น หรือเครื่องมือหยุดทำงานเนื่องจากสาเหตุที่ไม่ได้ระบุไว้ด้านบน โปรดดูที่ส่วนการแก้ไขปัญหา

การระบุระดับพลังงานแบตเตอรี่ที่เหลืออยู่

⚠ ข้อควรระวัง: ก่อนตรวจสอบความจุแบตเตอรี่ที่ยังเหลืออยู่หรือเปลี่ยนถลับแบตเตอรี่ ตรวจสอบให้แน่ใจว่าเครื่องมือหยุดทำงานแล้ว

⚠ ข้อควรระวัง: เมื่อความจุแบตเตอรี่ต่ำ จะมีเสียงเตือนแบบสั้นดังขึ้น ในกรณีนี้ ให้ถอดก้านเบรก จากนั้นสลับถลับแบตเตอรี่เป็นก้อนที่ชาร์จแล้ว หรือนำถลับแบตเตอรี่ไปชาร์จ หากคุณยังคงใช้งานเครื่องมือโดยที่ความจุแบตเตอรี่เหลือน้อย และความจุแบตเตอรี่ที่เหลือหมด เสียงเตือนแบบยาวจะดังขึ้น และเครื่องมือจะหยุดทำงานโดยอัตโนมัติ และอาจส่งผลให้เกิดอุบัติเหตุหรือการบาดเจ็บได้









⚠ ข้อควรระวัง: หากเสียงเตือนดังขึ้นในขณะที่ทำงานบนพื้นที่ลาดเอียง ให้เคลื่อนย้ายเครื่องมือไปไว้ในที่ที่ปลอดภัย ถอดก้านเบรก จากนั้นเปลี่ยนถลับแบตเตอรี่เป็นก้อนที่ชาร์จแล้ว หรือนำถลับแบตเตอรี่ไปชาร์จ

⚠ ข้อควรระวัง: หากของที่บรรทุกมีขนาดใหญ่ เสียงเตือนจะดังขึ้นในขณะที่ทำงานบนพื้นที่ลาดเอียง ให้ถอดก้านเบรก และให้ความใส่ใจด้านความปลอดภัย จากนั้นเปลี่ยนถลับแบตเตอรี่เป็นก้อนที่ชาร์จแล้ว เคลื่อนย้ายเครื่องมือไปยังที่ที่ปลอดภัยแล้วถอดก้านเบรก ลดปริมาณของที่บรรทุกลงก่อนจะใช้งานเครื่องมืออีกครั้ง สำหรับรายละเอียด โปรดดูที่ส่วนการแก้ไขปัญหา

การตรวจสอบระดับแบตเตอรี่บนกล่องแบตเตอรี่

► **หมายเลข 16:** 1. ไฟแสดงสถานะแบตเตอรี่ 2. ปุ่มตรวจสอบ

กดปุ่ม ตรวจสอบ เพื่อดูปริมาณแบตเตอรี่ที่เหลือ ไฟแสดงสถานะแบตเตอรี่จะตรงตามแบตเตอรี่แต่ละลูก

สถานะของไฟแสดงสถานะแบตเตอรี่			ความจุแบตเตอรี่ที่เหลืออยู่
 สว่าง	 กะพริบ	 ดับ	
			50% - 100%
			20% - 50%
			0% - 20%
			ว่างเปล่า
			ไม่มีแบตเตอรี่ติดตั้งอยู่

หมายเหตุ: หากคุณยังคงสวิตซ์สั่งงานต่อแม้ว่าคุณจะได้ยินเสียงเตือนแบบสั้นแล้ว เครื่องมือจะหยุดทำงานโดยอัตโนมัติ หลังจากเครื่องมือหยุดทำงานโดยอัตโนมัติ เสียงเตือนจะดังอย่างต่อเนื่องและเบรคสำรองจะถูกเปิดใช้งาน เมื่อต้องการปิดเสียงเตือน ให้ปลดเบรคสำรอง ปลดสวิตซ์สั่งงาน และดึงก้านเบรก อย่านฝืนผลึกเครื่องมือโดยยังไม่ได้ปลดเบรคสำรอง

หมายเหตุ: คุณสามารถตรวจสอบความจุแบตเตอรี่ที่เหลือได้แม้ว่าจะไม่ได้สอดกุญแจล็อกไว้

หมายเหตุ: ไฟแสดงสถานะแบตเตอรี่สำหรับความจุแบตเตอรี่ที่เหลืออยู่ใช้สำหรับอ้างอิงเท่านั้น ความจุแบตเตอรี่จริงอาจแตกต่างกันไปขึ้นอยู่กับสถานะการใช้งาน

การตรวจสอบระดับแบตเตอรี่ของถลับแบตเตอรี่

สำหรับถลับแบตเตอรี่ที่มีตัวแสดงสถานะเท่านั้น

กดปุ่ม ตรวจสอบ บนถลับแบตเตอรี่เพื่อดูปริมาณแบตเตอรี่ที่เหลือ ไฟแสดงสถานะจะสว่างขึ้นเป็นเวลาสองสามวินาที

► **หมายเลข 17:** 1. ไฟแสดงสถานะ 2. ปุ่มตรวจสอบ

ไฟแสดงสถานะ			แบตเตอรี่ที่ เหลือ
ไฟสว่าง	ดับ	กะพริบ	
■	□	▣	75% ถึง 100%
■ ■ ■ ■			
■ ■ ■ □			50% ถึง 75%
■ ■ □ □			25% ถึง 50%
■ □ □ □			0% ถึง 25%
▣ □ □ □			ชาร์จไฟ แบตเตอรี่
■ ■ □ □	□ □	■ ■	แบตเตอรี่อาจ จะเสีย
	□ □	■ ■	

หมายเหตุ: ขึ้นอยู่กับสภาพการใช้งานและอุณหภูมิ โดยรอบ การแสดงสถานะอาจแตกต่างกันจากปริมาณแบตเตอรี่จริงเล็กน้อย

หมายเหตุ: ไฟแสดงสถานะดวงแรก (ซ้ายสุด) จะกะพริบเมื่อระบบป้องกันแบตเตอรี่ทำงาน

การเปลี่ยนถลับแบตเตอรี่

▶ **หมายเลข 18:** 1. สวิตช์เลือกแบตเตอรี่

เครื่องจะใช้ถลับแบตเตอรี่ 2 ก่อนในการทำงานแต่ละครั้ง สามารถติดตั้งถลับแบตเตอรี่ลงในเครื่องได้สูงสุด 4 ก่อนใช้งานเครื่องมือ ให้เลือกถลับแบตเตอรี่ที่จะใช้สำหรับการทำงานโดยการหมุนสวิตช์เลือกแบตเตอรี่

ข้อสังเกต: หากถลับแบตเตอรี่อยู่ในสภาพต่อไปนี้ เครื่องมือจะไม่ทำงานแม้ว่าจะเปลี่ยนแบตเตอรี่ด้วยสวิตช์เลือกแบตเตอรี่แล้ว

- ถลับแบตเตอรี่อย่างน้อยหนึ่งก้อนไม่มีแบตเตอรี่เหลืออยู่
- แบตเตอรี่อย่างน้อยหนึ่งก้อนเกิดความร้อนสูงเกินไป

ในกรณีนี้ ให้ถอดถลับแบตเตอรี่ทั้งหมดแล้วหรือเกิดความร้อนสูงเกินไปออก หรือเปลี่ยนถลับแบตเตอรี่เป็นก้อนที่ชาร์จแล้ว

หมายเหตุ: หากมีแบตเตอรี่ 2 ก้อนติดตั้งอยู่ในเครื่องมือ ตรวจสอบให้แน่ใจว่าเลือกถลับแบตเตอรี่ที่ติดตั้งอยู่ด้วยสวิตช์เลือกแบตเตอรี่

แผงควบคุม

⚠ ข้อควรระวัง: ล็อคก้านเบรกและปิดเครื่องมือเมื่อไม่ได้ใช้เสมอ

ปุ่มไฟหลัก

▶ **หมายเลข 19:** 1. สัญญาณไฟหลัก 2. ปุ่มไฟหลัก

การเปิดเครื่อง ให้ล็อคก้านเบรก จากนั้นกดปุ่มไฟหลักโดยไม่ต้องดึงสวิตช์สั่งงาน สัญญาณไฟหลักจะสว่างขึ้นเป็นสีเขียว การปิดเครื่อง ให้ปล่อยสวิตช์สั่งงานและล็อคก้านเบรก จากนั้นกดปุ่มไฟหลัก

หมายเหตุ: จะมีการทดสอบทางไฟฟ้าครั้งแรกที่เครื่องมือถูกขับเคลื่อนหลังจากเปิดเครื่อง หากพบปัญหา ดวงไฟหลักจะกะพริบเป็นสีแดงหรือสีเขียวสลบกัน ในกรณีนี้ โปรดดูที่ส่วนการแก้ไขปัญหา

หมายเหตุ: หากดวงไฟหลักสว่างเป็นสีแดงหรือกะพริบเป็นสีแดงหรือสีเขียว โปรดดูที่คำแนะนำสำหรับระบบการปกป้องเครื่องมือ/แบตเตอรี่ หรือส่วนการแก้ไขปัญหา

หมายเหตุ: เครื่องนี้มีส่วนกั้นปิดเครื่องอัตโนมัติ เพื่อหลีกเลี่ยงปัญหาเครื่องมือเริ่มทำงานโดยไม่ตั้งใจ เครื่องมือจะปิดลงโดยอัตโนมัติเมื่อเครื่องมือหยุดทำงานหรือไม่ทำงานเป็นระยะเวลาหนึ่งหลังจากเปิดเครื่องแล้ว

หมายเหตุ: หากคุณกดปุ่มไฟหลักพร้อมกับดึงสวิตช์สั่งงานแล้วเครื่องมือไม่เปิดทำงาน ให้ปล่อยสวิตช์สั่งงานแล้วกดปุ่มไฟหลัก

ปุ่มเดินหน้า/ถอยหลังและปุ่มความเร็ว

▶ **หมายเลข 20:** 1. ปุ่มเดินหน้า/ถอยหลัง 2. ไฟแสดงสถานะความเร็ว 3. ปุ่มความเร็ว

กดปุ่มเดินหน้า/ถอยหลังเพื่อเปลี่ยนระหว่างโหมดเดินหน้าและโหมดถอยหลัง กดปุ่มความเร็วเพื่อเปลี่ยนความเร็วเป็นต่ำ กลาง และสูง เมื่อเปิดเครื่อง จะถูกตั้งไว้ที่โหมดเดินหน้าและความเร็วต่ำ

หมายเหตุ: ปุ่มเดินหน้า/ถอยหลังจะไม่สามารถใช้ได้ในขณะที่ดึงสวิตช์สั่งงานอยู่

หมายเหตุ: เสียงเตือนแบบสั้นจะดังขึ้นเมื่อใช้งานเครื่องมือแบบถอยหลัง

หมายเหตุ: ปุ่มความเร็วจะไม่สามารถใช้ได้เมื่อใช้งานเครื่องมือแบบถอยหลัง

หมายเหตุ: หากเครื่องมือตรวจพบปัญหา ไฟแสดงสถานะความเร็วจะกะพริบ ในกรณีนี้ โปรดดูที่ส่วนการแก้ไขปัญหา

ปุ่มเสียงเตือน

เมื่อคุณกดปุ่มเสียงเตือน เสียงเตือนจะดังขึ้น

► **หมายเลข 21:** 1. ปุ่มเสียงเตือน

หมายเหตุ: ปุ่มเสียงเตือนจะทำงานเมื่อเปิดเครื่อง

หมายเหตุ: ปุ่มเสียงเตือนจะทำงานแม้ว่าจะไม่ได้สอดกุญแจล้อคไว้ในกล่องแบตเตอรี่

การเปิดดวงไฟ

กดปุ่มไฟหลักบนกล่องแบตเตอรี่เพื่อเปิดไฟด้านหน้าและด้านหลัง และเมื่อต้องการปิดดวงไฟ ให้กดปุ่มดวงไฟอีกครั้ง

► **หมายเลข 22:** 1. ปุ่มดวงไฟ 2. ไฟด้านหน้า

► **หมายเลข 23:** 1. ไฟด้านหลัง

หมายเหตุ: ดวงไฟจะดับลงหากเครื่องมือไม่ทำงานเป็นระยะเวลาหนึ่ง

หมายเหตุ: ดวงไฟจะดับลงเมื่อปิดเครื่อง

หมายเหตุ: คุณสามารถเปิดดวงไฟได้แม้จะไม่ได้สอดกุญแจล้อคไว้

สวิตช์สั่งงานและก้านเบรก

⚠ ข้อควรระวัง: ก่อนใส่ดัลล์แบตเตอรี่ลงในเครื่องมือ ให้ตรวจสอบว่าสวิตช์สั่งงานสามารถทำงานได้อย่างถูกต้องและกลับไปยังตำแหน่ง "ปิด" เมื่อปล่อยเสมอ

การเปิดใช้งานเครื่องมือ ให้ดึงสวิตช์สั่งงาน เมื่อใช้สวิตช์สั่งงาน จะสามารถปรับความเร็วได้ในช่วงความเร็วที่กำหนด และเมื่อต้องการหยุดเครื่องมือ ให้ปล่อยสวิตช์สั่งงานและดึงก้านเบรก

การล็อกก้านเบรก ให้ดึงก้านเบรกดังไว้ จากนั้นดึงก้านล็อก แล้วปล่อยก้านเบรกพร้อมๆ กับดึงก้านล็อก และเมื่อต้องการปล่อยล็อก ให้ดึงก้านเบรก

► **หมายเลข 24:** 1. สวิตช์สั่งงาน

► **หมายเลข 25:** 1. ก้านเบรก 2. ก้านล็อก

สวิตช์เอียง

⚠ ข้อควรระวัง: จับก้านเบรกเมื่อคุณใช้งานสวิตช์เอียง

⚠ ข้อควรระวัง: ก่อนใช้งานสวิตช์เอียง ตรวจสอบให้แน่ใจว่าความจุแบตเตอรี่ที่เหลืออยู่เพียงพอ หากความจุแบตเตอรี่เหลือน้อย ให้ล็อกก้านเบรก จากนั้นสลับดัลล์แบตเตอรี่เป็นก้อนที่ชาร์จแล้ว หรือเปลี่ยนเป็นดัลล์แบตเตอรี่ที่ชาร์จแล้ว

► **หมายเลข 26:** 1. สวิตช์เอียง

คุณสามารถเอียงกระบะหรือโครงบรรทุกโดยใช้สวิตช์เอียงได้ การเอียงกระบะหรือโครงบรรทุกไปทางด้านหน้า ให้กดด้านบนของสวิตช์เอียงพร้อมกับจับก้านเบรกไว้ การนำกระบะหรือโครงบรรทุกกลับมาที่เดิม ให้กดด้านล่างของสวิตช์เอียงพร้อมกับจับก้านเบรกไว้

หมายเหตุ: เสียงเตือนจะดังขึ้นในขณะที่กระบะหรือโครงบรรทุกกำลังเคลื่อนที่

การปรับความกว้างของโครงบรรทุก

ข้อสังเกต: ตรวจสอบให้แน่ใจว่าราวด้านข้างและด้านหน้าถูกยึดแน่นดีแล้วหลังจากขันน็อตมือหมุน

คลายน็อตมือหมุน 6 ตัว จากนั้นเลื่อนราวด้านข้างและด้านหน้า ขันน็อตมือหมุนเพื่อยึดราวด้านข้างและด้านหน้า

► **หมายเลข 27:** 1. น็อตมือหมุน 2. ราว

⚠ ข้อควรระวัง: อย่าเลื่อนราวออกไปไกลกว่าเครื่องหมายขีดจำกัด

► **หมายเลข 28**

การปรับความสูงของมือจับ

ข้อสังเกต: ยึดมือจับซ้ายและขวาที่ระดับความสูงเท่ากัน

ความสูงของมือจับสามารถปรับได้ 7 ระดับ การปรับความสูงของมือจับ ให้คลายปุ่มหมุน 2 ปุ่ม จากนั้นปรับความสูงของมือจับโดยการจัดตำแหน่งของรูบนมือจับให้ตรงกับส่วนที่ยื่นออกมาบนโครงด้านหลัง จากนั้นขันปุ่มหมุน 2 ปุ่มให้แน่น ปรับความสูงของมือจับอีกด้านในแบบเดียวกัน

► **หมายเลข 29:** 1. ปุ่มหมุน

ล้อคล้อด้านหลัง

คุณสามารถยึดตำแหน่งของล้อหลังโดยใช้ล้อคล้อด้านหลัง

1. ค่อยๆ เคลื่อนเครื่องมือไปทางด้านหน้าโดยให้ล้อหลังหันไปในทิศทางตามที่แสดงในภาพ

► **หมายเลข 30:** 1. ล้อหลัง

2. หมุนล้อคล้อด้านหลังไปทางด้านหลัง

► **หมายเลข 31:** 1. ล้อคล้อด้านหลัง

3. ล้อคล้อด้านหลังอีกข้างในแบบเดียวกัน

4. เคลื่อนล้อหลังไปทางด้านหน้าและหลัง หรือซ้ายและขวาเล็กน้อยเพื่อให้แน่ใจว่าล้อคล้อแล้ว

การปล่อยล้อคล้อด้านหลัง ให้หมุนล้อหลัง 90° ตามที่แสดงในภาพ

► **หมายเลข 32:** 1. ล้อคล้อด้านหลัง

หมายเหตุ: ล้อหลังสามารถยึดได้ 4 ทิศทางตามที่แสดงในภาพ

► หมายเลข 33

การใช้แวนระนาบ

การใช้แวนระนาบ คุณสามารถตรวจสอบได้ว่าพื่นอยู่ในแวนระนาบหรือไม่

► หมายเลข 34: 1. แวนระนาบ

การใช้งาน

▲ ข้อควรระวัง: ตรวจสอบให้แน่ใจว่าล้อคก้านเบรกแล้ว ก่อนใส่หรือนำสิ่งของออก

การใช้งานเครื่องมือ

ข้อสังเกต: ตรวจสอบให้แน่ใจว่าได้สอดกุญแจล็อกแล้ว ก่อนทำงาน หากไม่ได้ใส่กุญแจล็อก เสียงเตือนจะดังขึ้นเมื่อคุณดึงสวิตช์สั่งงาน เสียงเตือนจะหยุดดังโดยการปล่อยสวิตช์สั่งงานและดึงก้านเบรก

ข้อสังเกต: ทำการตรวจสอบเครื่องมือก่อนใช้งานโดยดูที่ส่วนการบำรุงรักษา

1. ตรวจสอบให้แน่ใจว่าล้อคก้านเบรกแล้ว ติดตั้งดัลเบตเตอร์ และใส่กุญแจล็อก จากนั้นหมุนกุญแจตามเข็มนาฬิกา

2. เลือกดัลเบตเตอร์ด้วยสวิตช์เลือกเบตเตอร์

3. กดปุ่มไฟหลักบนแผงควบคุมเพื่อเปิดเครื่อง

► หมายเลข 35: 1. ปุ่มไฟหลัก

4. ดึงก้านเบรกเพื่อปล่อยล้อคของก้านเบรก

► หมายเลข 36: 1. ก้านเบรก

5. จับมือจับให้แน่นด้วยมือทั้งสองข้าง

► หมายเลข 37

6. ดึงสวิตช์สั่งงาน

► หมายเลข 38: 1. สวิตช์สั่งงาน

การบรรทุกวัตถุ

▲ ข้อควรระวัง: ก่อนบรรทุกของบนเครื่องมือ ตรวจสอบให้แน่ใจว่าปิดเครื่องและล้อคก้านเบรกแล้ว

▲ ข้อควรระวัง: ก่อนบรรทุกของบนเครื่องมือ ตรวจสอบให้แน่ใจว่าล้อคชุดตัดไม้แล้ว

▲ ข้อควรระวัง: ตรวจสอบให้แน่ใจว่าใส่สิ่งของภายในโครงบรรทุกหรือกระบะ หากสิ่งของไหลออกมาจากโครงบรรทุกหรือกระบะ สิ่งของอาจร่วงหล่นหรือพุ่งมาได้ หากโดนกับสิ่งกีดขวาง

► หมายเลข 39

▲ ข้อควรระวัง: บรรทุกวัตถุให้ต่ำกว่าระดับสายตา หากสิ่งของที่บรรทุกสูงเกินไปจะเป็นอันตรายเพราะมองเห็นได้ไม่ชัด ดังนั้นจึงมีความเสี่ยงที่จะพลิกกลับและได้รับบาดเจ็บเนื่องจากของที่บรรทุกนั้นมีแนวโน้มที่จะสูญเสียความสมดุล

► หมายเลข 40

▲ ข้อควรระวัง: อย่าบรรทุกสิ่งของเกินกว่าความสูงของกระบะ การบรรทุกสิ่งของเกินความสูงของกระบะอาจทำให้สิ่งของร่วงหล่นหรือพุ่งลงมาได้

เมื่อบรรทุกของบนโครงบรรทุก ให้รัดของให้แน่นด้วยเชือก และรัดเชือกเข้ากับข้อเกี่ยวเชือกของโครงบรรทุก

► หมายเลข 41: 1. ข้อเกี่ยวเชือก

การเทวัตถุ

▲ ข้อควรระวัง: เมื่อยกหรือนำโครงบรรทุกหรือกระบะ กลับคืนตำแหน่งเดิม ห้ามสอดหรือวางส่วนใดส่วนหนึ่งของร่างกายระหว่างชุดตัดไม้และโครงบรรทุกหรือกระบะ หรือใต้ชุดตัดไม้ การกระทำดังกล่าวอาจส่งผลให้ได้รับบาดเจ็บหรือมีผิวหนังถูกลวกได้

▲ ข้อควรระวัง: หลังจากเทสิ่งของที่บรรทุกแล้ว ให้ล็อกชุดตัดไม้โดยการนำชุดตัดไม้กลับคืนตำแหน่งเดิม

▲ ข้อควรระวัง: ก่อนยกโครงบรรทุกหรือกระบะขึ้นด้วยมือ ตรวจสอบให้แน่ใจว่าล้อคก้านเบรกแล้ว

▲ ข้อควรระวัง: ยกโครงบรรทุกหรือกระบะบนพื้นราบและมั่นคง การใช้งานบนพื้นที่ไม่มั่นคงอาจทำให้เกิดอุบัติเหตุหรือได้รับบาดเจ็บได้

▲ ข้อควรระวัง: บรรทุกของให้น้อยที่สุด หากของที่บรรทุกมีขนาดใหญ่ อย่ายพยายามยกโครงบรรทุกหรือกระบะ ลดจำนวนของที่บรรทุก จากนั้นยกโครงบรรทุกหรือกระบะ

▲ ข้อควรระวัง: หากรัดของที่บรรทุกด้วยเชือกหรือวิธีอื่นๆ ให้คลายเชือกที่รัดออกก่อนยกชุดตัดไม้

▲ ข้อควรระวัง: ก่อนยกโครงบรรทุกหรือกระบะ ตรวจสอบว่าไม่มีคนหรือสิ่งกีดขวางอยู่บริเวณเครื่อง

คุณสามารถตรวจดูโดยการยกและการเอียงโครงบรรทุกหรือ กระบะ

1. หยุดเครื่องมือ

2. เอียงกระบะหรือโครงบรรทุกไปทางด้านหน้าโดยกด ด้านบนของสวิตช์เอียงพร้อมับจับก้านเบรกไว้

▶ **หมายเลข 42:** 1. สวิตช์เอียง

3. การเคลื่อนที่ที่เหลือในกระบะหรือโครงบรรทุกด้วยมือ ให้ทำตามขั้นตอนด้านล่างนี้

- ล็อคก้านเบรก แล้วยืนที่ด้านข้างของเครื่องมือ
- หมุนก้านล็อคของชุดดัมพ์ไปด้านหน้าของเครื่องมือ เพื่อปลดล็อคชุดดัมพ์
- จับมือจับของชุดดัมพ์ จากนั้นเอียงกระบะหรือโครง บรรทุกไปด้านหน้าเพื่อเคลื่อนที่

• นำกระบะหรือโครงบรรทุกกลับไปชุดดัมพ์

▶ **หมายเลข 43:** 1. ก้านล็อค 2. ชุดดัมพ์

⚠ ข้อควรระวัง: จับมือจับของชุดดัมพ์ให้แน่น และ ทำงานในที่ที่มั่นคง

ข้อสังเกต: ขอแนะนำให้งันล้อหน้าไว้เพื่อไม่ให้เครื่องมือเคลื่อนที่

4. นำกระบะหรือโครงบรรทุกกลับคืนตำแหน่งเดิมโดยกด ด้านล่างของสวิตช์เอียงพร้อมับจับก้านเบรกไว้

ข้อสังเกต: ตรวจสอบให้แน่ใจว่าได้นำกระบะหรือโครง บรรทุกกลับคืนตำแหน่งเดิมแล้วหลังจากเคลื่อนที่ของ หาก กระบะหรือโครงบรรทุกไม่กลับคืนที่จนสุดและถูกล็อค ความเร็วในการเคลื่อนที่ของเครื่องมือจะถูกจำกัดที่สูงสุด 0.8 km/h

การบำรุงรักษา

⚠ ข้อควรระวัง: ตรวจสอบให้แน่ใจว่าถอดเครื่องมือบน พื้นที่ราบเรียบและล็อคก้านเบรกก่อนการเก็บรักษาหรือ ทำการตรวจสอบหรือบำรุงรักษาเสมอ

⚠ ข้อควรระวัง: ตรวจสอบให้แน่ใจเสมอว่าถอดกุญแจ ล็อคและตัดแบตเตอรี่ออกจากเครื่องมือแล้วก่อนการ เก็บรักษา ตรวจสอบ หรือบำรุงรักษา

⚠ ข้อควรระวัง: ถอดกุญแจล็อคเสมอเมื่อไม่ใช้งาน เครื่องมือ เก็บกุญแจล็อคไว้ในที่ปลอดภัย ห่างจากมือเด็ก

เพื่อความปลอดภัยและแนะนำชื่อถือของผลิตภัณฑ์ ควรให้ ศูนย์บริการหรือโรงงานที่ผ่านการรับรองจาก Makita เป็น ผู้ดำเนินการซ่อมแซม บำรุงรักษาและทำการปรับตั้งอื่นๆ นอกจากนี้ให้ใช้อะไหล่ของแท้จาก Makita เสมอ

การตรวจสอบก่อนใช้งาน

ทำการตรวจสอบรายการต่อไปนี้ก่อนใช้งานเครื่องมือ

- ตรวจสอบว่าขันสลักเกลียว น็อต และปุ่มหมุนแน่น ดีแล้ว

▶ **หมายเลข 44**

- ตรวจสอบว่าเบรกทำงานอย่างเหมาะสม หากคุณรู้สึก ว่าเบรกทำงานไม่เหมาะสม ให้ทำความสะอาดเบรก หากแก้ไขแล้วยังไม่ดีขึ้น โปรดติดต่อศูนย์บริการที่ได้รับ การรับรองของ Makita เพื่อรับการซ่อมแซม

- ตรวจสอบว่าชุดดัมพ์ล็อคแล้วเมื่อดึงมือจับของชุด ดัมพ์ลงจนสุด

▶ **หมายเลข 45:** 1. มือจับ

- ตรวจสอบว่ายางของล้อหน้าและล้อหลังไม่เสียหาย และลมยางเพียงพอ

- ตรวจสอบว่าไฟด้านหน้าและด้านหลังสะอาด ทำความ สะอาดหากจำเป็น

- ตรวจสอบว่าเหล็กชุดอยู่ในตำแหน่งที่ถูกต้อง หาก เหล็กชุดเหล่านั้น ให้ปรับการวางแนวของเหล็กชุด โดยการคลายสลักเกลียว ขณะขันสลักเกลียวให้แน่น อย่านดันเหล็กชุดไปทางด้านหน้าของตัวเครื่อง

▶ **หมายเลข 46:** 1. เหล็กชุด

การทำความสะอาดเครื่องมือ

ข้อสังเกต: อย่าน้ำมันเชื้อเพลิง เบนซิน ทินเนอร์ แอลกอฮอล์ หรือวัสดุประเภทเดียวกัน เนื่องจากอาจ ทำให้ลื่นลื่น เสียหาย หรือแตกร้าวได้

ข้อสังเกต: อย่านใช้เครื่องฉีดน้ำแรงดันสูงในการทำ ความสะอาด

ข้อสังเกต: เมื่อทำความสะอาดเครื่องมือ ตรวจสอบให้ แน่ใจว่าปิดฝาครอบกล่องแบตเตอรี่แล้ว ไม่เช่นนั้น น้ำ อาจเข้าไปในกล่องแบตเตอรี่ และทำให้เครื่องมือทำงาน ผิดปกติได้

ล้างโคลน ผุ่น หรือสิ่งสกปรกอื่นออกจากเครื่องมือ ทำความสะอาดเครื่องมือด้วยน้ำประปา หลังทำความสะอาด แล้ว ให้เช็ดเครื่องมือด้วยผ้าแห้ง

การเก็บรักษา

ล้อยก้านเบรก แล้วถอดดรัมเบรคเตอร์และกุญแจล้อคออก
จัดเก็บเครื่องมือในที่ที่ปลอดภัย ห่างจากมือเด็ก

การเติมลมยาง

ตรวจสอบว่าลมในยางของล้อหน้าและล้อหลังเพียงพอ หาก
ลมในยางไม่เพียงพอ ให้เติมลมยางด้วยที่สูบลม ความดัน
ลมเป็นไปตามนี้:

- ยางล้อหน้า: 280 kPa (40 PSI)
- ยางล้อหลัง: 525 kPa (75 PSI)

ล้อหน้า

▶ หมายเลข 47

ล้อหลัง

▶ หมายเลข 48

การเปลี่ยนยาง

⚠ ข้อควรระวัง: ก่อนเปลี่ยนยาง ตรวจสอบให้แน่ใจว่าน้ำหนักของทั้งหมดออกจากเครื่องมือแล้ว

⚠ ข้อควรระวัง: เมื่อเปลี่ยนยาง ให้ใส่ถุงมือ

การเปลี่ยนยางล้อหน้า

หมายเหตุ: เมื่อติดตั้งยางสีเทา ให้ติดตั้งโดยให้วาล์วหันออกไปทางด้านนอก

▶ หมายเลข 49

การเปลี่ยนยางล้อหลัง

▶ หมายเลข 50

▶ หมายเลข 51

การแก้ไขปัญหา

ก่อนนำไปซ่อม ให้ทำการตรวจสอบด้วยตัวเองก่อน หากคุณพบปัญหาที่ไม่มีอธิบายไว้ในคู่มือ อย่าพยายามแยกชิ้นส่วน เครื่องมือ โปรดสอบถามศูนย์บริการที่ได้รับการรับรองจาก Makita โดยใช้ชื่อรหัสของ Makita ในการซ่อมแซมเสมอ

สภาวะความผิดปกติ	สัญญาณไฟหลัก	สาเหตุ	การแก้ไข
เครื่องไม่เปิดทำงาน	ดับ	ไม่ได้ติดตั้งถลับแบตเตอรี่สองถลับ	ติดตั้งถลับแบตเตอรี่สองถลับที่ชาร์จไฟแล้ว
		ปัญหาแบตเตอรี่ (ไฟต่ำ)	นำถลับแบตเตอรี่ไปชาร์จอีกครั้ง หากการชาร์จแบตเตอรี่ไม่ได้ผล ให้เปลี่ยนถลับแบตเตอรี่
		สวิตช์เลือกแบตเตอรี่ไม่อยู่ในตำแหน่งที่ถูกต้อง	เลือกแบตเตอรี่ที่ถูกต้องด้วยสวิตช์เลือกแบตเตอรี่
เครื่องไม่เริ่มทำงาน	ไฟจะกะพริบเป็นสีแดง	ระดับการชาร์จของแบตเตอรี่ต่ำ	นำถลับแบตเตอรี่ไปชาร์จอีกครั้ง หากการชาร์จแบตเตอรี่ไม่ได้ผล ให้เปลี่ยนถลับแบตเตอรี่
		แบตเตอรี่อย่างน้อยหนึ่งก้อนหมด	ถอดแบตเตอรี่ที่หมดออก หรือเปลี่ยนเป็นก้อนที่ชาร์จแล้ว ในกรณีนี้ ไฟทางซ้ายสุดของไฟแสดงสถานะแบตเตอรี่ของแบตเตอรี่ที่เกี่ยวข้องจะกะพริบ
	สัญญาณไฟกะพริบเป็นสีเขียว	ไม่ได้สอดกุญแจล็อก	สอดกุญแจล็อกแล้วหมุนตามเข็มนาฬิกา
		เครื่องหยุดทำงานเนื่องจากของที่บรรทุกหนักเกินไป	ลดปริมาณของที่บรรทุก
		ล้อหน้าหรือล้อหลังติดหรือล็อก	นำสาเหตุที่ทำให้ล้อติดหรือล็อกออก
	ไฟสว่างเป็นสีแดง	เครื่องหยุดทำงานเนื่องจากเกิดความร้อนสูงเกินไป	ปล่อยให้เครื่องมือและแบตเตอรี่เย็นลง
	สัญญาณไฟกะพริบเป็นสีแดงและสีเขียวสลับกัน	ไม่ได้สอดกุญแจล็อก	สอดกุญแจล็อกแล้วหมุนตามเข็มนาฬิกา
เครื่องมือตรวจพบความผิดปกติ		ปิดเครื่อง แล้วเปิดอีกครั้ง เครื่องมือทำงานผิดปกติ สอบถามศูนย์บริการที่ได้รับการรับรองของ Makita เพื่อรับการซ่อม	
สัญญาณไฟจะสว่างเป็นสีเขียว	ก้านเกียร์ว่างไม่อยู่ในตำแหน่งเดิม	ล็อกก้านเบรก จากนั้นเลื่อนก้านเกียร์ว่างไปยังตำแหน่งเดิม	
เครื่องมือหยุดทำงานหลังจากใช้งานไปไม่นาน	ไฟจะกะพริบเป็นสีแดง	ระดับการชาร์จของแบตเตอรี่ต่ำ	นำถลับแบตเตอรี่ไปชาร์จอีกครั้ง หากการชาร์จแบตเตอรี่ไม่ได้ผล ให้เปลี่ยนถลับแบตเตอรี่
ความเร็วในการเคลื่อนที่ของเครื่องมือไม่เพิ่มขึ้น	สัญญาณไฟจะสว่างเป็นสีเขียว	ชุดดัมพ์ไม่กลับคืนตำแหน่งเดิม จนสุด หรือไม่ถูกล็อก	นำชุดดัมพ์กลับคืนตำแหน่งเดิมจนสุด และตรวจสอบว่าล็อกชุดดัมพ์แล้ว

การแก้ไขปัญหาการหยุดทำงานของเครื่อง

▲ คำเตือน: หากไม่จำเป็นจริงๆ ห้ามใช้เบรกสำรองของเครื่องด้วยก้านเกียร์ว่าง เนื่องจากเบรกสำรองของเครื่องถูกปิดการใช้งาน เครื่องอาจเคลื่อนที่โดยไม่ตั้งใจและทำให้เกิดอุบัติเหตุหรือได้รับบาดเจ็บได้

▲ คำเตือน: ตรวจสอบให้แน่ใจว่าได้ปรับก้านเกียร์ว่างไปยังตำแหน่งเดิมแล้วหลังจากดึงก้านออกมาทางด้านนอก

หากไม่สามารถเคลื่อนย้ายเครื่องมือได้เมื่อแบตเตอรี่หมดหรือเครื่องเกิดความผิดปกติ คุณสามารถเคลื่อนย้ายเครื่องมือด้วยตนเองได้โดยการดึงก้านเกียร์ว่างออกด้านนอกเพื่อปิดใช้งานเบรกสำรอง

1. ล็อคก้านเบรก
2. นำของทั้งหมดออกจากเครื่องมือ

▲ ข้อควรระวัง: ตรวจสอบให้แน่ใจว่านำของทั้งหมดออกจากเครื่องมือแล้ว เครื่องมืออาจเคลื่อนที่โดยไม่ตั้งใจหากยังมีสิ่งของอยู่บนเครื่อง

3. หากเครื่องมืออยู่บนทางลาด ให้ปลดล็อคก้านเบรกและปรับทิศทางของเครื่องโดยให้ก้านเบรกอยู่ด้านบนของทางลาด ซึ่งเครื่องจะขนานกับทางลาด ล็อคก้านเบรก

▶ **หมายเลข 52**

4. ตรวจสอบให้แน่ใจว่าเครื่องมือไม่ขยับแล้ว และจากนั้นดึงก้านเกียร์ว่างออกด้านนอก

▶ **หมายเลข 53:** 1. ก้านเกียร์ว่าง

5. ปลดล็อคก้านเบรกและเคลื่อนย้ายเครื่องมือด้วยตนเองไปยังสถานที่ที่ปลอดภัย เนื่องจากเบรกสำรองถูกปิดการใช้งาน ให้เคลื่อนย้ายเครื่องอย่างระมัดระวังด้วยก้านเบรกเพื่อไม่ให้ความเร็วเพิ่มขึ้น

6. หลังจากเคลื่อนย้ายเครื่องมือไปยังสถานที่ที่ปลอดภัยแล้ว ให้ล็อคก้านเบรก

7. เลื่อนก้านเกียร์ว่างกลับไปยังตำแหน่งเดิม ตรวจสอบให้แน่ใจว่าก้านเกียร์ว่างกลับเข้าที่จนสุดแล้วตามที่แสดงในภาพ

▶ **หมายเลข 54:** 1. ก้านเกียร์ว่าง

อุปกรณ์เสริม

▲ ข้อควรระวัง: ขอแนะนำให้ใช้อุปกรณ์เสริมหรืออุปกรณ์ต่อพ่วงเหล่านี้กับเครื่องมือของ Makita ที่ระบุไว้ในคู่มือนี้ การใช้อุปกรณ์เสริมหรืออุปกรณ์ต่อพ่วงอื่นอาจทำให้เกิดความเสี่ยงที่จะได้รับบาดเจ็บได้ ใช้อุปกรณ์เสริมหรืออุปกรณ์ต่อพ่วงตามวัตถุประสงค์ที่ระบุไว้เท่านั้น

▲ ข้อควรระวัง: ใช้อุปกรณ์เสริมหรืออุปกรณ์ต่อพ่วงของ Makita สำหรับเครื่องมือนี้เท่านั้น การใช้อุปกรณ์เสริมหรืออุปกรณ์ต่อพ่วงอื่นอาจทำให้ได้รับบาดเจ็บสาหัสได้

หากต้องการทราบรายละเอียดเพิ่มเติมเกี่ยวกับอุปกรณ์เสริมเหล่านี้ โปรดสอบถามศูนย์บริการ Makita ใกล้บ้านคุณ

- โครมบรทุก
- กระบะ
- ล้อหน้า (สีดำ)
- ล้อหน้า (สีเทา)
- ล้อหลัง (สีเทา)
- แบตเตอรี่และเครื่องชาร์จ Makita ของแท้

หมายเหตุ: อุปกรณ์บางรายการอาจรวมอยู่ในชุดเครื่องมือเป็นอุปกรณ์มาตรฐาน ซึ่งอาจแตกต่างกันไปในแต่ละประเทศ

Makita Corporation
3-11-8, Sumiyoshi-cho,
Anjo, Aichi 446-8502 Japan
www.makita.com

885953-379
EN, ZHCN, ID, MS,
VI, TH
20230731