



Cordless Cleaner DCL283F / DCL284F / DCL286F

Accessories

Nozzle assembly* For floor Part No. 127825-8 127827-4 127828-2	Nozzle assembly For floor/carpet Part No. 191X06-4	Nozzle assembly For floor Part No. 123486-2 123488-8 123539-7	Sheet Nozzle Part No. 199038-1 199041-2 199039-9	Flexible hose Part No. 191E30-3
Flexible hose Part No. 198868-7 198545-1 198547-7	Sash nozzle* Part No. 451240-7 451243-1 413809-5	Long sash nozzle Part No. 198919-6 198990-0 198992-6	Nozzle holder* Part No. 459354-6 459355-4 459038-6	Round brush Part No. 198878-4 198553-2 198555-8
Crevice nozzle 415 Part No. 199439-3	Shelf brush Part No. 198873-4 198538-8 198540-1	Straight pipe set 340 For Cyclone attachment set Part No. 191D76-3 191D78-9 191D77-1	Straight pipe with pipe lock* Part No. 459353-8 459356-2 458942-6	Straight pipe with pipe lock Part No. 1910Y3-1 L: 479-719mm

DCL283F / DCL284F only

Filter set Part No. 443060-3	Pre-filter Part No. 451208-3	Easy shake off filter B set Part No. 199966-0	Filter H set Part No. 199989-8 <i>HEPA filter</i>
--	--	---	--

DCL283F / DCL284F only

Cyclone attachment set with pipe lock Part No. 191D71-3 191D73-9	Holder Set Part No. 199971-7	Tool bag set Part No. 199901-8 LxWxH: 600x210x 190mm
--	--	---

For all 3 models

Cyclone unit set Part No. 1910D3-4 1910D5-0	Only for Cyclone unit set High performance filter set Part No. 1910C7-9 Filter H set Part No. 1910C9-5 <i>HEPA filter</i>
---	---

Charging Time

	DC18RC	DC18SD
BL1815N 1.5Ah 196449-1	15 min	30 min
BL1820B 2.0Ah 197254-9	24 min	45 min
BL1830B 3.0Ah 197599-5	22 min	60 min
BL1850B 5.0Ah 197280-8	45 min	110 min
BL1860B 6.0Ah 197422-4	55 min	130 min

Cordless Cleaner			
DCL283F / DCL284F / DCL286F			
	DCL283F	DCL284F	DCL286F
4 Electronic 4-Speed DCL284F/DCL286F only	Capacity 730 mL	730 mL	Cyclone: 250 mL
LED Built-in Job Light	Continuous Use w/ BL1830B: 10 min	w/ BL1830B, Mode 1 / 2 / 3 / 4: 38 / 21 / 15 / 8	w/ BL1830B, Mode 1 / 2 / 3 / 4: 38 / 21 / 15 / 8
	Max air flow 1.1 m ³ /min	1.2 m ³ /min	1.0 m ³ /min
	Max sealed suction 17.5 kPa	18 kPa	18 kPa
	Noise level 63 dB(A)	Mode 1 / 2 / 3 / 4: 54 / 60 / 62 / 65 dB(A)	Mode 1 / 2 / 3 / 4: 55 / 60 / 62 / 66 dB(A)
	Dimensions (L x W x H) w/o Pipe & Nozzle, w/ BL1830B: 503 x 113 x 155 mm (19-3/4 x 4-7/16 x 6-1/8")	w/o Pipe & Nozzle, w/ BL1830B: 503 x 113 x 153 mm (19-3/4 x 4-7/16 x 6")	w/ BL1830B: 543 x 113 x 177 mm (21-3/8 x 4-7/16 x 7")
	w/ Pipe & Nozzle, w/ BL1830B: 1,066 x 113 x 155 mm (42 x 4-7/16 x 6-1/8")	w/ BL1830B: 1,066 x 113 x 153 mm (42 x 4-7/16 x 6")	w/ BL1830B: 1,106 x 113 x 177 mm (43-1/2 x 4-7/16 x 7")
	Net weight 1.3 - 1.6 kg (2.9 - 3.5 lbs.)	1.3 - 1.6 kg (2.9 - 3.5 lbs.)	1.6 - 1.9 kg (3.5 - 4.2 lbs.)

Standard Equipment: Nozzle assembly, Sash nozzle, Nozzle holder, Straight pipe, Easy shake off filter EX (DCL283F, DCL284F), Easy shake off filter (DCL286F), Battery, Charger

The weight does not include accessories but battery cartridge(s). The lightest and heaviest combination weight of the appliance and battery cartridge(s) are shown in the table. Items of standard equipment and specifications may vary by country or area.



photo: DCL286F

DCL283F

Capsule type
 +
Trigger switch

DCL284F

Capsule type
 +
One-touch push button switch

DCL286F

Integrated cyclone unit
 +
One-touch push button switch

Makita Singapore Pte Ltd
7, Changi South Street 3, Singapore 486348
Phone : +65-6546-8700 Fax : +65-6546-8711
Email : msgproductteam@makita.com.sg
Website : www.makita.com.sg
Facebook : www.facebook.com/MakitaSG

MakitaSG

VISIT OUR WEBSITE

DOWNLOAD LEAFLET

PRINTED IN SINGAPORE





photo: DCL284F

18V LXT BL Cordless Cleaner

Capsule type

Dust capacity **730 mL**



photo: DCL283F

Improved dust-resistance

When capsule is installed securely, two ribs inside capsule press the inside frame of filter to hold the filter tight.



DCL283F

Trigger switch



DCL284F

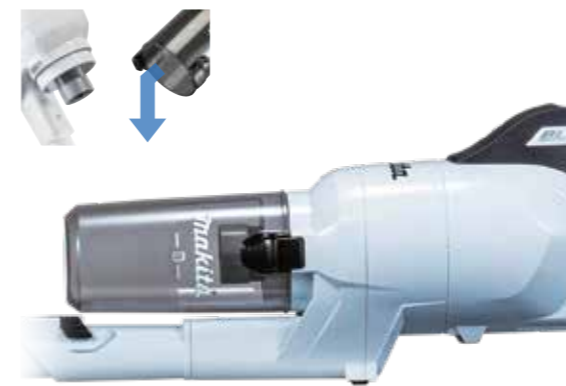
One-touch push button switch



HEPA filter

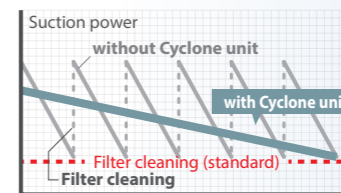
Integrated cyclone unit

Dust capacity **250 mL**



Integrated Cyclone unit

The filter is less clogged due to separation of fine dust through a cyclone air flow, reducing the decrease in vacuum power of cleaner.



the amount of dust that can be sucked before filter maintenance

DCL286F

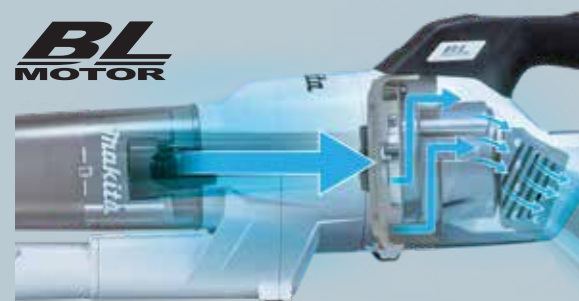
One-touch push button switch



Easy filter setting
Filter can be fixed with a single push.

High suction power and Low noise level

- Achieved by redesigning the exhaust air flow path of the motor to reduce wind noise.
- Equipped with high-speed BL motor to ensure high suction power.



Low noise

DCL283F

63 dB(A)

DCL284F **65** ^[Mode 4] dB(A)

DCL286F **66** ^[Mode 4] dB(A)

Redesigned Floor/ Carpet T-nozzle

- Redesigned structure reduces the resistance caused by suction, providing smooth running.
- Redesigned inside air flow path reduces the noise made inside the nozzle.



Trigger switch + Sliding lock-on switch

(DCL283F only)

allows for long continuous cleaning with less fatigue.

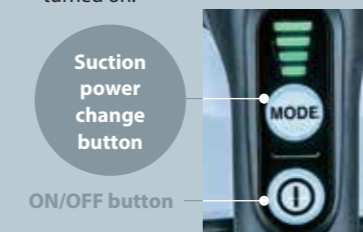


By moving ① sliding lock-on switch to ON position, ② interlocking trigger switch can be locked on for continuous cleaning.

4-suction power mode selection with mode memory function

(DCL284F / DCL286F only)

- The cleaner can memorize a previous power mode and resume vacuuming at the same mode as last time user turned off for user convenience.
- Power mode can be selected before the cleaner is turned on.



Single LED job light

also functions as a battery capacity warning lamp.



Pipe locking mechanism

Pipe is fixed with the locking mechanism to prevent it from accidentally coming off.



Pipe with beveled end

Cleaning of tight places can be done without nozzle by using the beveled end of pipe as a nozzle.

