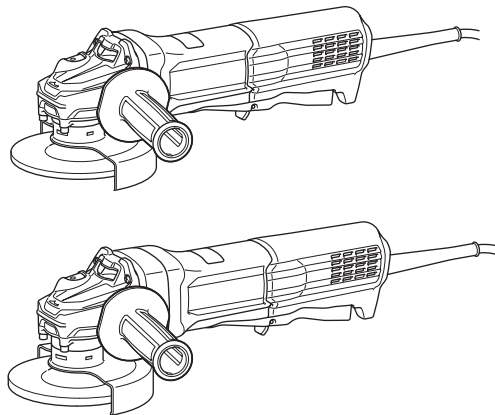




<b>EN</b>	Angle Grinder	<b>INSTRUCTION MANUAL</b>	<b>8</b>
<b>ZHCN</b>	角向磨光机	使用说明书	<b>21</b>
<b>ID</b>	Gerinda Sudut	<b>PETUNJUK PENGGUNAAN</b>	<b>34</b>
<b>MS</b>	Pengisar Sudut	<b>MANUAL ARAHAN</b>	<b>48</b>
<b>VI</b>	Máy Mài Góc Cầm Tay Hoạt Động Bằng Động Cơ Điện	<b>TÀI LIỆU HƯỚNG DẪN</b>	<b>62</b>
<b>TH</b>	เครื่องขัดมุม	คู่มือการใช้งาน	<b>75</b>

**GA4593**  
**GA4594**  
**GA4595**  
**GA5093**  
**GA5094**  
**GA5095**



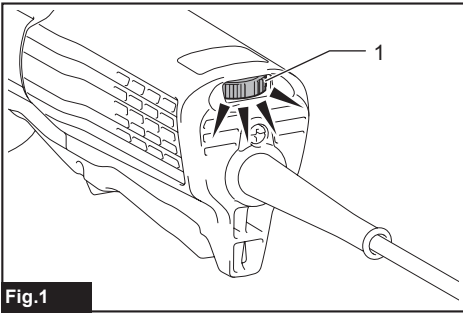


Fig.1

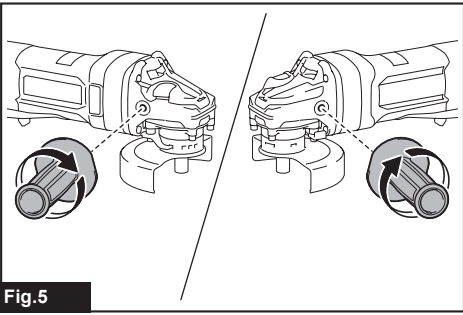


Fig.5

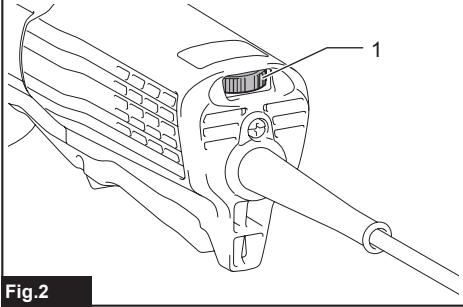


Fig.2

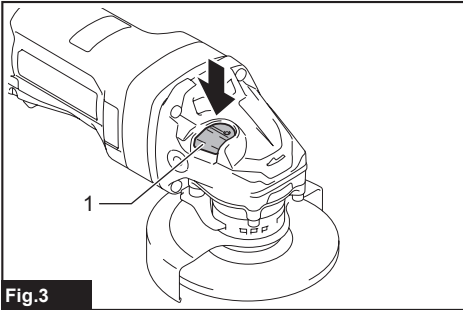


Fig.3

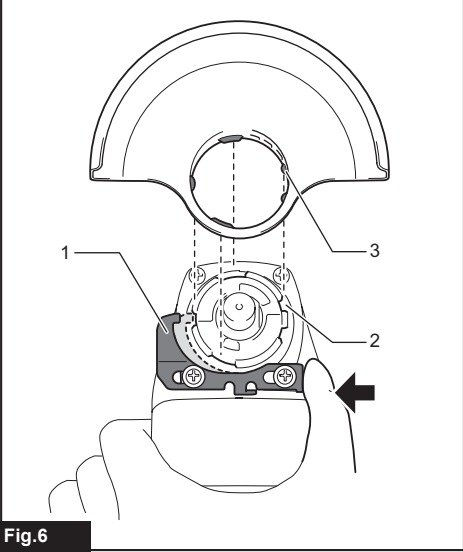


Fig.6

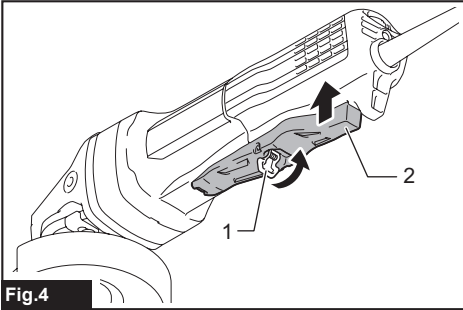


Fig.4

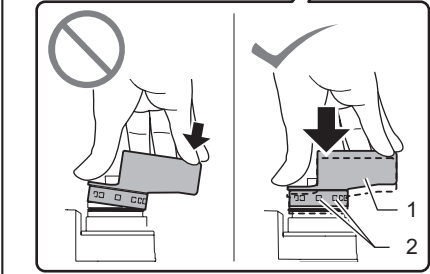
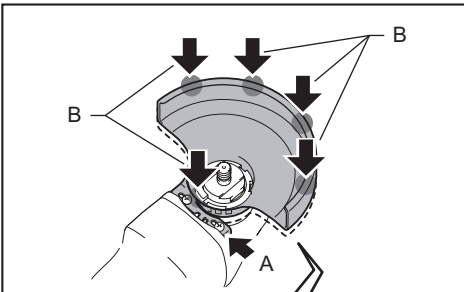


Fig.7

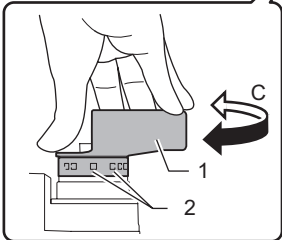
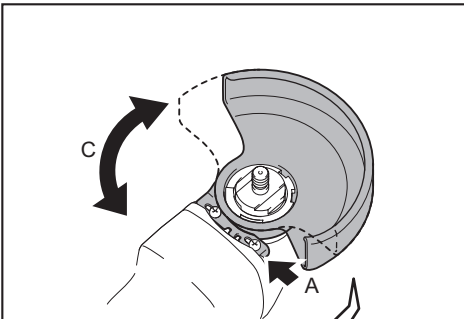


Fig.8

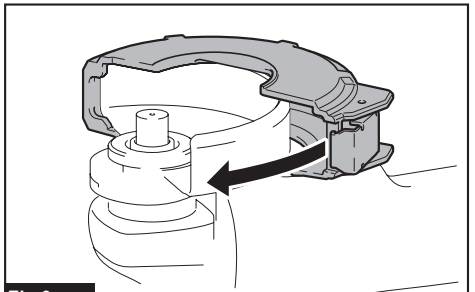


Fig.9

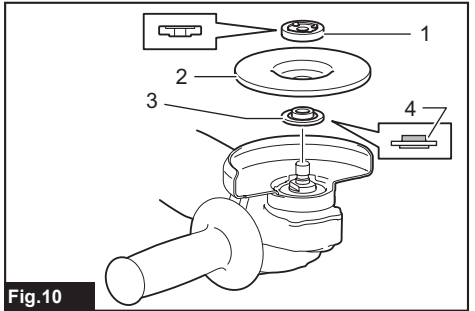


Fig.10

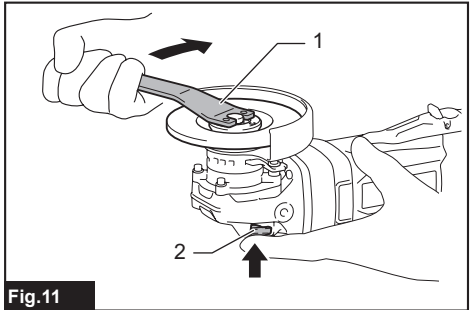


Fig.11

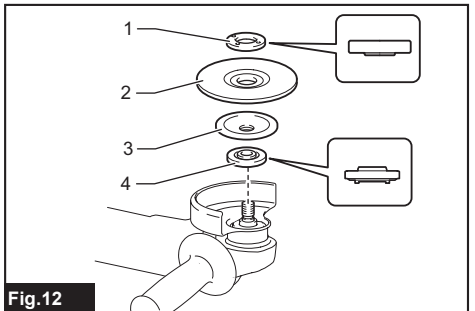
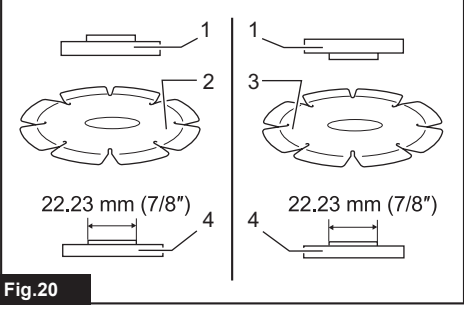
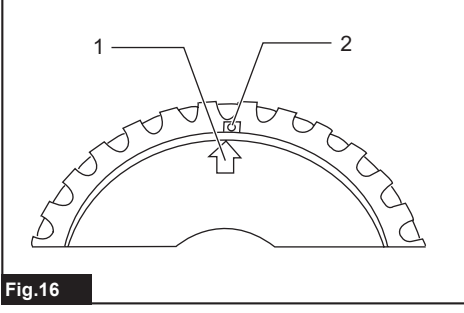
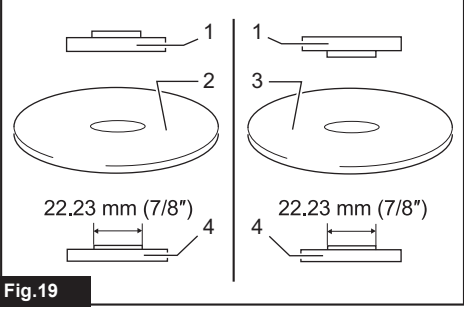
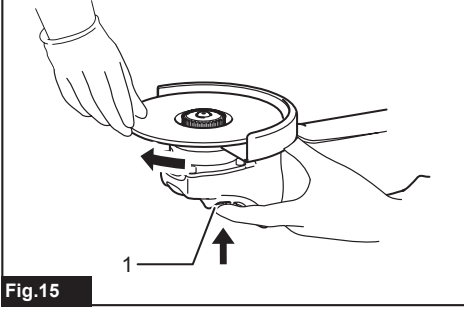
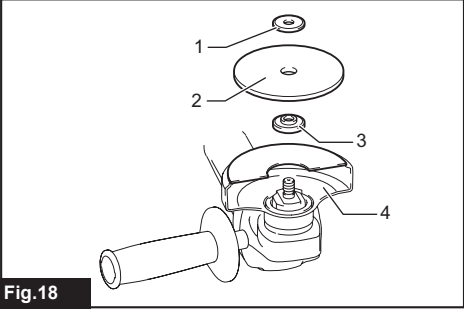
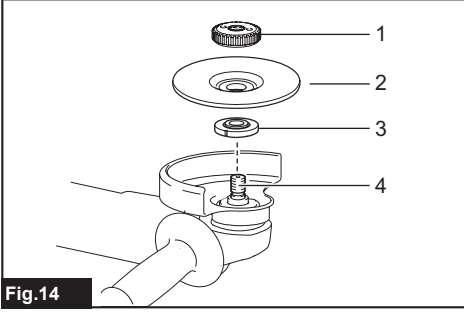
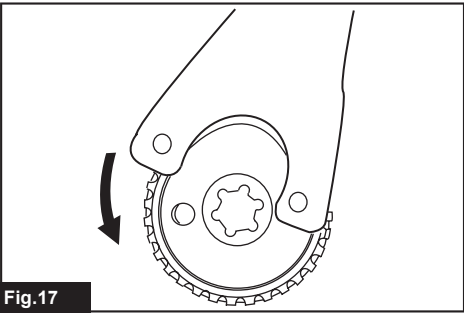
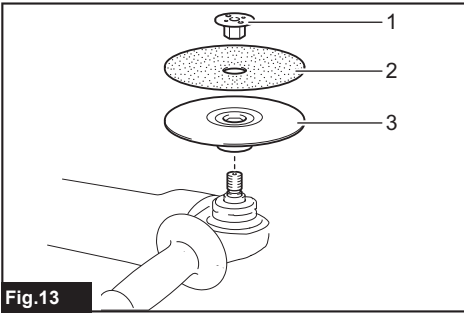
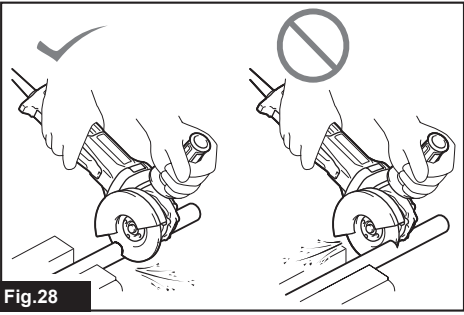
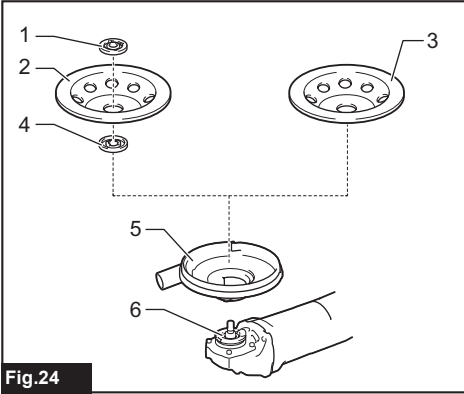
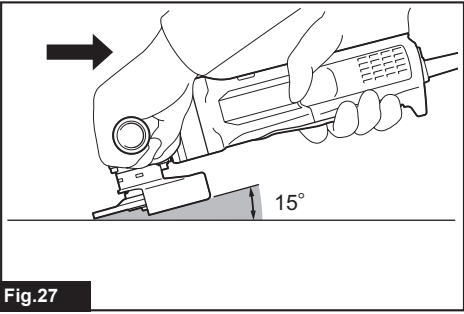
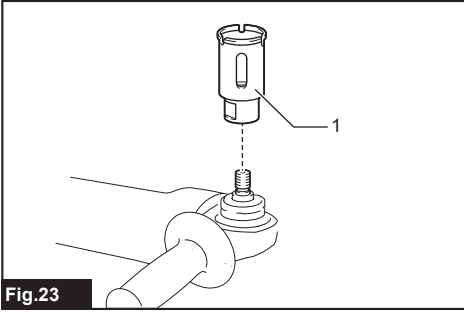
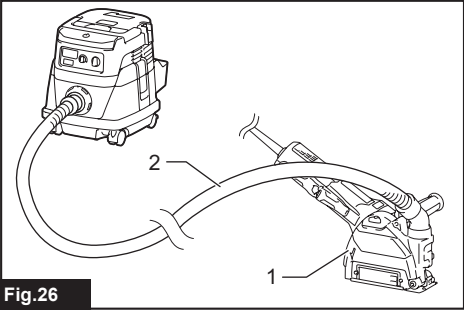
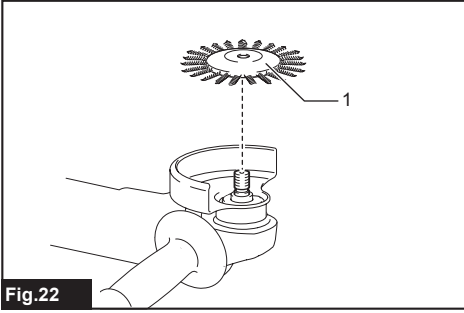
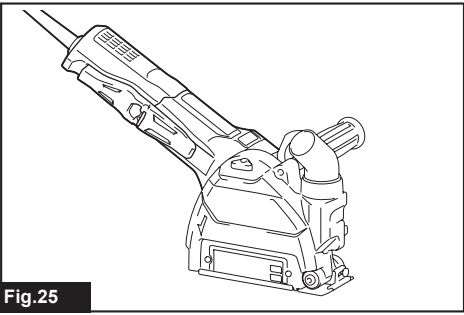
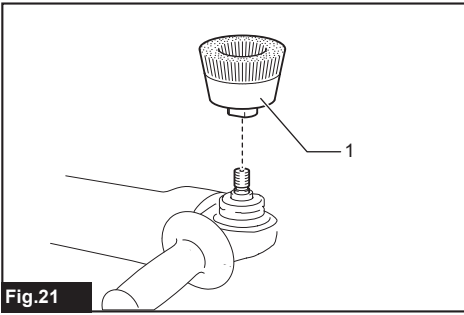
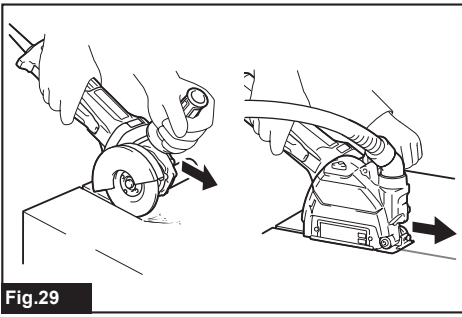


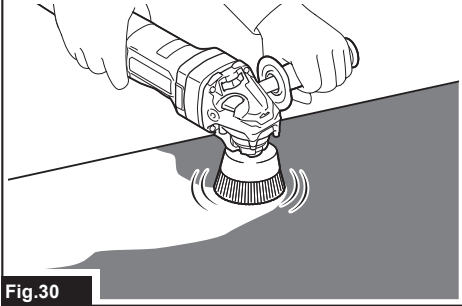
Fig.12



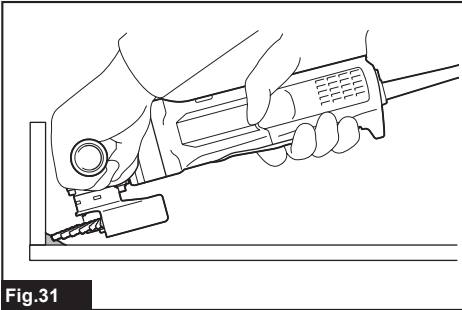




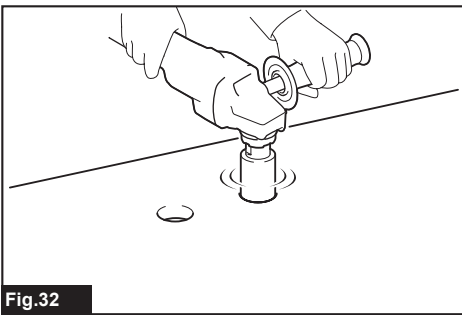
**Fig.29**



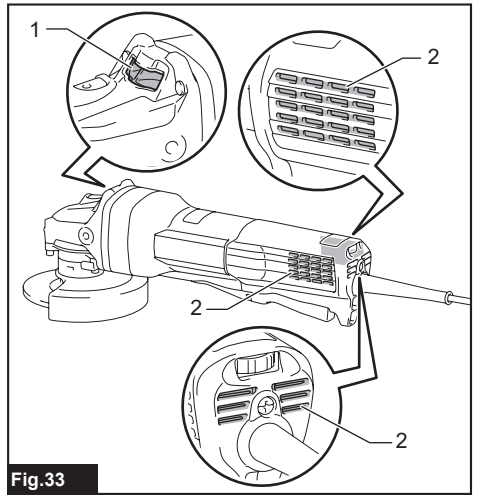
**Fig.30**



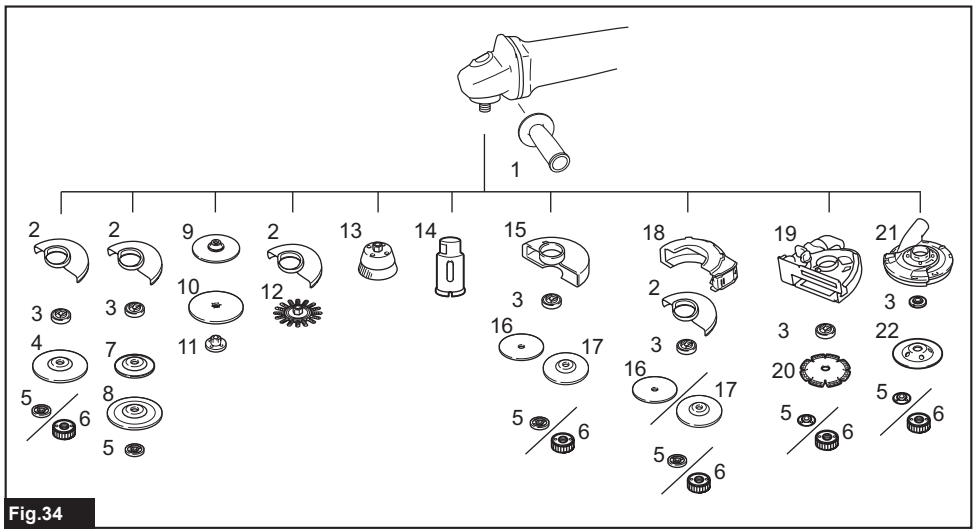
**Fig.31**



**Fig.32**



**Fig.33**



**Fig.34**






# SPECIFICATIONS

Model:		GA4593	GA4594	GA4595	GA5093	GA5094	GA5095
Applicable grinding wheel	Max. wheel diameter	115 mm			125 mm		
	Max. wheel thickness	7.2 mm					
Applicable cut-off wheel	Max. wheel diameter	115 mm			125 mm		
	Max. wheel thickness	3.2 mm					
Applicable wire wheel brush	Max. wheel diameter	115 mm			125 mm		
	Max. wheel thickness	20 mm					
Spindle thread		M14 or 5/8"(country specific)					
Max. spindle length		23 mm					
No load speed (n <sub>0</sub> ) / Rated speed (n)		11,500 min <sup>-1</sup>					
Overall length		349 mm	326 mm	349 mm	349 mm	326 mm	326 mm
Net weight		2.8 - 4.0 kg	2.6 - 3.8 kg	2.9 - 4.0 kg	2.9 - 4.0 kg	2.7 - 3.8 kg	2.7 - 3.8 kg
Safety class		□/II					

- Due to our continuing program of research and development, the specifications herein are subject to change without notice.
- Specifications may differ from country to country.
- The weight may differ depending on the attachment(s). The lightest and heaviest combinations, according to EPTA-Procedure 01/2014, are shown in the table.

## Symbols

The followings show the symbols which may be used for the equipment. Be sure that you understand their meaning before use.

	Read instruction manual.
	Wear safety glasses.
	Always operate with two hands.
	Do not use the wheel guard for cut-off operations.
	DOUBLE INSULATION



Only for EU countries  
Due to the presence of hazardous components in the equipment, used electrical and electronic equipment may have a negative impact on the environment and human health.

Do not dispose of electrical and electronic appliances with household waste!  
In accordance with the European Directive on waste electrical and electronic equipment and its adaptation to national law, used electrical and electronic equipment should be collected separately and delivered to a separate collection point for municipal waste, operating in accordance with the environmental protection regulations.

This is indicated by the symbol of the crossed-out wheeled bin placed on the equipment.

## Intended use

The tool is intended for grinding, sanding, wire brushing, hole cutting and cutting of metal and stone materials without the use of water.

## Power supply

The tool should be connected only to a power supply of the same voltage as indicated on the nameplate, and can only be operated on single-phase AC supply. They are double-insulated and can, therefore, also be used from sockets without earth wire.



# SAFETY WARNINGS

## General power tool safety warnings

**⚠️WARNING:** Read all safety warnings, instructions, illustrations and specifications provided with this power tool. Failure to follow all instructions listed below may result in electric shock, fire and/or serious injury.

### Save all warnings and instructions for future reference.

The term "power tool" in the warnings refers to your mains-operated (corded) power tool or battery-operated (cordless) power tool.

#### Work area safety

1. **Keep work area clean and well lit.** Cluttered or dark areas invite accidents.
2. **Do not operate power tools in explosive atmospheres, such as in the presence of flammable liquids, gases or dust.** Power tools create sparks which may ignite the dust or fumes.
3. **Keep children and bystanders away while operating a power tool.** Distractions can cause you to lose control.

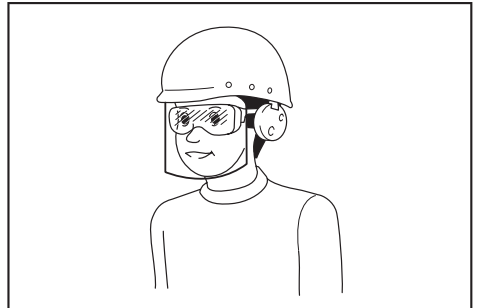
#### Electrical safety

1. **Power tool plugs must match the outlet. Never modify the plug in any way. Do not use any adapter plugs with earthed (grounded) power tools.** Unmodified plugs and matching outlets will reduce risk of electric shock.
2. **Avoid body contact with earthed or grounded surfaces, such as pipes, radiators, ranges and refrigerators.** There is an increased risk of electric shock if your body is earthed or grounded.
3. **Do not expose power tools to rain or wet conditions.** Water entering a power tool will increase the risk of electric shock.
4. **Do not abuse the cord. Never use the cord for carrying, pulling or unplugging the power tool. Keep cord away from heat, oil, sharp edges or moving parts.** Damaged or entangled cords increase the risk of electric shock.
5. **When operating a power tool outdoors, use an extension cord suitable for outdoor use.** Use of a cord suitable for outdoor use reduces the risk of electric shock.
6. **If operating a power tool in a damp location is unavoidable, use a residual current device (RCD) protected supply.** Use of an RCD reduces the risk of electric shock.
7. **Use of power supply via an RCD with a rated residual current of 30 mA or less is always recommended.**
8. **Power tools can produce electromagnetic fields (EMF) that are not harmful to the user.** However, users of pacemakers and other similar medical devices should contact the maker of their device and/or doctor for advice before operating this power tool.
9. **Do not touch the power plug with wet hands.**

10. **If the cord is damaged, have it replaced by the manufacturer or his agent in order to avoid a safety hazard.**

#### Personal safety

1. **Stay alert, watch what you are doing and use common sense when operating a power tool. Do not use a power tool while you are tired or under the influence of drugs, alcohol or medication.** A moment of inattention while operating power tools may result in serious personal injury.
2. **Use personal protective equipment. Always wear eye protection.** Protective equipment such as a dust mask, non-skid safety shoes, hard hat or hearing protection used for appropriate conditions will reduce personal injuries.
3. **Prevent unintentional starting. Ensure the switch is in the off-position before connecting to power source and/or battery pack, picking up or carrying the tool.** Carrying power tools with your finger on the switch or energising power tools that have the switch on invites accidents.
4. **Remove any adjusting key or wrench before turning the power tool on.** A wrench or a key left attached to a rotating part of the power tool may result in personal injury.
5. **Do not overreach. Keep proper footing and balance at all times.** This enables better control of the power tool in unexpected situations.
6. **Dress properly. Do not wear loose clothing or jewellery. Keep your hair and clothing away from moving parts.** Loose clothes, jewellery or long hair can be caught in moving parts.
7. **If devices are provided for the connection of dust extraction and collection facilities, ensure these are connected and properly used.** Use of dust collection can reduce dust-related hazards.
8. **Do not let familiarity gained from frequent use of tools allow you to become complacent and ignore tool safety principles.** A careless action can cause severe injury within a fraction of a second.
9. **Always wear protective goggles to protect your eyes from injury when using power tools. The goggles must comply with ANSI Z87.1 in the USA, EN 166 in Europe, or AS/NZS 1336 in Australia/New Zealand. In Australia/New Zealand, it is legally required to wear a face shield to protect your face, too.**



It is an employer's responsibility to enforce the use of appropriate safety protective equipments by the tool operators and by other persons in the immediate working area.

#### Power tool use and care

1. **Do not force the power tool. Use the correct power tool for your application.** The correct power tool will do the job better and safer at the rate for which it was designed.
2. **Do not use the power tool if the switch does not turn it on and off.** Any power tool that cannot be controlled with the switch is dangerous and must be repaired.
3. **Disconnect the plug from the power source and/or remove the battery pack, if detachable, from the power tool before making any adjustments, changing accessories, or storing power tools.** Such preventive safety measures reduce the risk of starting the power tool accidentally.
4. **Store idle power tools out of the reach of children and do not allow persons unfamiliar with the power tool or these instructions to operate the power tool.** Power tools are dangerous in the hands of untrained users.
5. **Maintain power tools and accessories. Check for misalignment or binding of moving parts, breakage of parts and any other condition that may affect the power tool's operation. If damaged, have the power tool repaired before use.** Many accidents are caused by poorly maintained power tools.
6. **Keep cutting tools sharp and clean.** Properly maintained cutting tools with sharp cutting edges are less likely to bind and are easier to control.
7. **Use the power tool, accessories and tool bits etc. in accordance with these instructions, taking into account the working conditions and the work to be performed.** Use of the power tool for operations different from those intended could result in a hazardous situation.
8. **Keep handles and grasping surfaces dry, clean and free from oil and grease.** Slippery handles and grasping surfaces do not allow for safe handling and control of the tool in unexpected situations.
9. **When using the tool, do not wear cloth work gloves which may be entangled.** The entanglement of cloth work gloves in the moving parts may result in personal injury.

#### Service

1. **Have your power tool serviced by a qualified repair person using only identical replacement parts.** This will ensure that the safety of the power tool is maintained.
2. **Follow instruction for lubricating and changing accessories.**

## Grinder safety warnings

Safety warnings common for grinding, sanding, wire brushing, or cutting-off operations:

1. **This power tool is intended to function as a grinder, sander, wire brush, hole cutter or cut-off tool. Read all safety warnings, instructions, illustrations and specifications provided with this power tool.** Failure to follow all instructions listed below may result in electric shock, fire and/or serious injury.
2. **Operations such as polishing are not to be performed with this power tool.** Operations for which the power tool was not designed may create a hazard and cause personal injury.
3. **Do not convert this power tool to operate in a way which is not specifically designed and specified by the tool manufacturer.** Such a conversion may result in a loss of control and cause serious personal injury.
4. **Do not use accessories which are not specifically designed and specified by the tool manufacturer.** Just because the accessory can be attached to your power tool, it does not assure safe operation.
5. **The rated speed of the accessory must be at least equal to the maximum speed marked on the power tool.** Accessories running faster than their rated speed can break and fly apart.
6. **The outside diameter and the thickness of your accessory must be within the capacity rating of your power tool.** Incorrectly sized accessories cannot be adequately guarded or controlled.
7. **The dimensions of the accessory mounting must fit the dimensions of the mounting hardware of the power tool.** Accessories that do not match the mounting hardware of the power tool will run out of balance, vibrate excessively and may cause loss of control.
8. **Do not use a damaged accessory. Before each use inspect the accessory such as abrasive wheels for chips and cracks, backing pad for cracks, tear or excess wear, wire brush for loose or cracked wires. If power tool or accessory is dropped, inspect for damage or install an undamaged accessory. After inspecting and installing an accessory, position yourself and bystanders away from the plane of the rotating accessory and run the power tool at maximum no-load speed for one minute.** Damaged accessories will normally break apart during this test time.
9. **Wear personal protective equipment. Depending on application, use face shield, safety goggles or safety glasses. As appropriate, wear dust mask, hearing protectors, gloves and workshop apron capable of stopping small abrasive or workpiece fragments.** The eye protection must be capable of stopping flying debris generated by various applications. The dust mask or respirator must be capable of filtering particles generated by the particular application. Prolonged exposure to high intensity noise may cause hearing loss.

10. **Keep bystanders a safe distance away from work area. Anyone entering the work area must wear personal protective equipment.** Fragments of workpiece or of a broken accessory may fly away and cause injury beyond immediate area of operation.
11. **Hold the power tool by insulated gripping surfaces only, when performing an operation where the cutting accessory may contact hidden wiring or its own cord.** Cutting accessory contacting a "live" wire may make exposed metal parts of the power tool "live" and could give the operator an electric shock.
12. **Position the cord clear of the spinning accessory.** If you lose control, the cord may be cut or snagged and your hand or arm may be pulled into the spinning accessory.
13. **Never lay the power tool down until the accessory has come to a complete stop.** The spinning accessory may grab the surface and pull the power tool out of your control.
14. **Do not run the power tool while carrying it at your side.** Accidental contact with the spinning accessory could snag your clothing, pulling the accessory into your body.
15. **Regularly clean the power tool's air vents.** The motor's fan will draw the dust inside the housing and excessive accumulation of powdered metal may cause electrical hazards.
16. **Do not operate the power tool near flammable materials.** Sparks could ignite these materials.
17. **Do not use accessories that require liquid coolants.** Using water or other liquid coolants may result in electrocution or shock.

#### **Kickback and related warnings:**

Kickback is a sudden reaction to a pinched or snagged rotating wheel, backing pad, brush or any other accessory. Pinching or snagging causes rapid stalling of the rotating accessory which in turn causes the uncontrolled power tool to be forced in the direction opposite of the accessory's rotation at the point of the binding. For example, if an abrasive wheel is snagged or pinched by the workpiece, the edge of the wheel that is entering into the pinch point can dig into the surface of the material causing the wheel to climb out or kick out. The wheel may either jump toward or away from the operator, depending on direction of the wheel's movement at the point of pinching. Abrasive wheels may also break under these conditions.

Kickback is the result of power tool misuse and/or incorrect operating procedures or conditions and can be avoided by taking proper precautions as given below.

1. **Maintain a firm grip with both hands on the power tool and position your body and arms to allow you to resist kickback forces. Always use auxiliary handle, if provided, for maximum control over kickback or torque reaction during start-up.** The operator can control torque reactions or kickback forces, if proper precautions are taken.
2. **Never place your hand near the rotating accessory.** Accessory may kickback over your hand.

3. **Do not position your body in the area where power tool will move if kickback occurs.** Kickback will propel the tool in direction opposite to the wheel's movement at the point of snagging.
4. **Use special care when working corners, sharp edges, etc. Avoid bouncing and snagging the accessory.** Corners, sharp edges or bouncing have a tendency to snag the rotating accessory and cause loss of control or kickback.
5. **Do not attach a saw chain woodcarving blade, segmented diamond wheel with a peripheral gap greater than 10 mm or toothed saw blade.** Such blades create frequent kickback and loss of control.

#### **Safety warnings specific for grinding and cutting-off operations:**

1. **Use only wheel types that are specified for your power tool and the specific guard designed for the selected wheel.** Wheels for which the power tool was not designed cannot be adequately guarded and are unsafe.
2. **The grinding surface of centre depressed wheels must be mounted below the plane of the guard lip.** An improperly mounted wheel that projects through the plane of the guard lip cannot be adequately protected.
3. **The guard must be securely attached to the power tool and positioned for maximum safety, so the least amount of wheel is exposed towards the operator.** The guard helps to protect the operator from broken wheel fragments, accidental contact with wheel and sparks that could ignite clothing.
4. **Wheels must be used only for specified applications. For example: do not grind with the side of cut-off wheel.** Abrasive cut-off wheels are intended for peripheral grinding, side forces applied to these wheels may cause them to shatter.
5. **Always use undamaged wheel flanges that are of correct size and shape for your selected wheel.** Proper wheel flanges support the wheel thus reducing the possibility of wheel breakage. Flanges for cut-off wheels may be different from grinding wheel flanges.
6. **Do not use worn down wheels from larger power tools.** A wheel intended for larger power tool is not suitable for the higher speed of a smaller tool and may burst.
7. **When using dual purpose wheels always use the correct guard for the application being performed.** Failure to use the correct guard may not provide the desired level of guarding, which could lead to serious injury.

#### **Additional safety warnings specific for cutting-off operations:**

1. **Do not "jam" the cut-off wheel or apply excessive pressure. Do not attempt to make an excessive depth of cut.** Overstressing the wheel increases the loading and susceptibility to twisting or binding of the wheel in the cut and the possibility of kickback or wheel breakage.

2. **Do not position your body in line with and behind the rotating wheel.** When the wheel, at the point of operation, is moving away from your body, the possible kickback may propel the spinning wheel and the power tool directly at you.
3. **When the wheel is binding or when interrupting a cut for any reason, switch off the power tool and hold it motionless until the wheel comes to a complete stop. Never attempt to remove the cut-off wheel from the cut while the wheel is in motion otherwise kickback may occur.** Investigate and take corrective action to eliminate the cause of wheel binding.
4. **Do not restart the cutting operation in the workpiece. Let the wheel reach full speed and carefully re-enter the cut.** The wheel may bind, walk up or kickback if the power tool is restarted in the workpiece.
5. **Support panels or any oversized workpiece to minimize the risk of wheel pinching and kickback.** Large workpieces tend to sag under their own weight. Supports must be placed under the workpiece near the line of cut and near the edge of the workpiece on both sides of the wheel.
6. **Use extra caution when making a “pocket cut” into existing walls or other blind areas.** The protruding wheel may cut gas or water pipes, electrical wiring or objects that can cause kickback.
7. **Do not attempt to do curved cutting.** Overstressing the wheel increases the loading and susceptibility to twisting or binding of the wheel in the cut and the possibility of kickback or wheel breakage, which can lead to serious injury.
8. **Before using a segmented diamond wheel, make sure that the diamond wheel has the peripheral gap between segments of 10 mm or less, only with a negative rake angle.**

#### Safety warnings specific for sanding operations:

1. **Use proper sized sanding disc paper. Follow manufacturers recommendations, when selecting sanding paper.** Larger sanding paper extending too far beyond the sanding pad presents a laceration hazard and may cause snagging, tearing of the disc or kickback.

#### Safety warnings specific for wire brushing operations:

1. **Be aware that wire bristles are thrown by the brush even during ordinary operation. Do not overstress the wires by applying excessive load to the brush.** The wire bristles can easily penetrate light clothing and/or skin.
2. **If the use of a guard is specified for wire brushing, do not allow any interference of the wire wheel or brush with the guard.** Wire wheel or brush may expand in diameter due to work load and centrifugal forces.

#### Additional Safety Warnings:

1. **When using depressed centre grinding wheels, be sure to use only fiberglass-reinforced wheels.**
2. **NEVER USE Stone Cup type wheels with this grinder.** This grinder is not designed for these types of wheels and the use of such a product may result in serious personal injury.

3. **Be careful not to damage the spindle, the flange (especially the installing surface) or the lock nut. Damage to these parts could result in wheel breakage.**
4. **Make sure the wheel is not contacting the workpiece before the switch is turned on.**
5. **Before using the tool on an actual workpiece, let it run for a while. Watch for vibration or wobbling that could indicate poor installation or a poorly balanced wheel.**
6. **Use the specified surface of the wheel to perform the grinding.**
7. **Do not leave the tool running. Operate the tool only when hand-held.**
8. **Do not touch the workpiece immediately after operation; it may be extremely hot and could burn your skin.**
9. **Do not touch accessories immediately after operation; it may be extremely hot and could burn your skin.**
10. **Observe the instructions of the manufacturer for correct mounting and use of wheels. Handle and store wheels with care.**
11. **Do not use separate reducing bushings or adaptors to adapt large hole abrasive wheels.**
12. **Use only flanges specified for this tool.**
13. **For tools intended to be fitted with threaded hole wheel, ensure that the thread in the wheel is long enough to accept the spindle length.**
14. **Check that the workpiece is properly supported.**
15. **Pay attention that the wheel continues to rotate after the tool is switched off.**
16. **If working place is extremely hot and humid, or badly polluted by conductive dust, use a short-circuit breaker (30 mA) to assure operator safety.**
17. **Do not use the tool on any materials containing asbestos.**
18. **When using cut-off wheel, always work with the dust collecting wheel guard if required by domestic regulation.**
19. **Cutting discs must not be subjected to any lateral pressure.**
20. **Do not use cloth work gloves during operation.** Fibers from cloth gloves may enter the tool, which causes tool breakage.
21. **Before operation, make sure that there is no buried object such as electric pipe, water pipe or gas pipe in the workpiece.** Otherwise, it may cause an electric shock, electrical leakage or gas leak.
22. **If a blotter is attached to the wheel, do not remove it. The diameter of the blotter must be larger than the lock nut, outer flange, and inner flange.**
23. **Before installing a grinding wheel, always check that the blotter part does not have any abnormalities such as chips or cracks.**
24. **Tighten the lock nut properly.** Overtightening the wheel can cause breakage and insufficient tightening can cause fluttering.

**SAVE THESE INSTRUCTIONS.**

**⚠WARNING:** DO NOT let comfort or familiarity with product (gained from repeated use) replace strict adherence to safety rules for the subject product. MISUSE or failure to follow the safety rules stated in this instruction manual may cause serious personal injury.

## FUNCTIONAL DESCRIPTION

**⚠CAUTION:** Always be sure that the tool is switched off and unplugged before adjusting or checking function on the tool.

### Tool protection system

The tool is equipped with a tool protection system. This system automatically reduces or cuts off power to the motor to extend tool life. The tool will automatically reduce power or stop during operation if the tool is placed under one of the following conditions:

### Overload protection

When the tool is operated in a manner that causes it to draw an abnormally high current, the tool reduces power automatically without any indication. In this situation, remove the cause of the overload so that the rotation speed recovered.

### Overheat protection

#### Country specific

When the tool is overheated, the tool stops automatically and the indication lamp blinks in red. In this situation, let the tool cool down. You can turn the tool on again after the lamp changes the color from red to green.

### Indication lamp

► Fig.1: 1. Indication lamp

The indication lamp lights up green when the tool is plugged.

If the indication lamp blinks in red, the overheat protection, Active Feedback sensing Technology, or the accidental re-start preventive function stops operation. In this situation, switch off the tool. Then, turn the tool on to restart.

If the indication lamp lights up in red after switch off the tool, the tool is overheated. In this situation, cool down the tool and wait until the indication lamp lights up in green.

## Speed adjusting dial

Only for model GA4593 / GA5093

**⚠CAUTION:** If the tool is operated continuously at low speeds for a long time, the motor will get overloaded and heated up.

**⚠CAUTION:** The speed adjusting dial can be turned only as far as 5 and back to 1. Do not force it past 5 or 1, or the speed adjusting function may no longer work.

The rotating speed can be changed by turning the speed adjusting dial to a given number setting from 1 to 5. Higher speed is obtained when the dial is turned in the direction of number 5. And lower speed is obtained when it is turned in the direction of number 1. Refer to the below table for the relationship between the number settings on the dial and the approximate rotating speed.

Number	Rated speed
1	2,800 min <sup>-1</sup> (/min)
2	4,500 min <sup>-1</sup> (/min)
3	6,500 min <sup>-1</sup> (/min)
4	8,000 min <sup>-1</sup> (/min)
5	11,500 min <sup>-1</sup> (/min)

► Fig.2: 1. Speed adjusting dial

## Shaft lock

**⚠WARNING:** Never actuate the shaft lock when the spindle is moving. It may cause serious injury or the tool damage.

Press the shaft lock to prevent spindle rotation when installing or removing accessories.

► Fig.3: 1. Shaft lock

## Switch action

**⚠CAUTION:** Before plugging in the tool, always check to see that the switch lever actuates properly and returns to the "OFF" position when released.

**⚠CAUTION:** For your safety, this tool is equipped with lock-off lever which prevents the tool from unintended starting. NEVER use the tool if it runs when you simply pull the switch lever without pulling the lock-off lever. Return the tool to our authorized service center for proper repairs BEFORE further usage.

**⚠CAUTION:** Do not pull the switch lever hard without pulling the lock-off lever. This can cause switch breakage.

**⚠CAUTION:** NEVER tape down or defeat purpose and function of lock-off lever.

To prevent the switch lever from being accidentally pulled, a lock-off lever is provided.

To start the tool, pull the lock-off lever toward the operator and then pull the switch lever.

To stop the tool, release the switch lever.

► **Fig.4:** 1. Lock-off lever 2. Switch lever

## Electronic function

### Active Feedback sensing Technology

**CAUTION:** Hold the tool firmly until the rotation stops.

The tool electronically detects situations where the wheel or accessory may be at risk to be bound. In such situation, the tool automatically shuts off the power to prevent further rotation of the spindle (this does not prevent kickback).

At this time, the indication lamp blinks in red and shows the Active Feedback sensing Technology is working. To restart the tool, switch off the tool first, remove the cause of sudden drop in the rotation speed, and then turn the tool on.

### Accidental re-start preventive function

When plugging in the tool while the switch is ON, the tool does not start.

At this time, the indication lamp blinks in red and shows that the accidental re-start preventive function works. To start the tool, turn off the switch, and turn it on again.

### Constant speed control

Possible to get fine finish, because the rotating speed is kept constant even under the loaded condition.

### Soft start feature

Soft start feature reduces starting reaction.

## Mechanical brake

**Only for model GA4593 / GA4594 / GA5093 / GA5094**

Mechanical brake is activated after the tool is switched off.

The brake does not work when the power supply is shut down with the switch still on.

## ASSEMBLY

**CAUTION:** Always be sure that the tool is switched off and unplugged before carrying out any work on the tool.

## Installing side grip (handle)

**CAUTION:** Always be sure that the side grip is installed securely before operation.

Screw the side grip securely on the position of the tool as shown in the figure.

► **Fig.5**

## Installing or removing wheel guard

**WARNING:** When using a depressed center wheel, flap disc, flex wheel or wire wheel brush, the wheel guard must be fitted on the tool so that the closed side of the guard always points toward the operator.

**WARNING:** Make sure that the wheel guard is securely locked by the lock lever with one of the holes on the wheel guard.

**WARNING:** When using an abrasive cut-off / diamond wheel, be sure to use only the special wheel guard designed for use with cut-off wheels.

### For depressed center wheel, flap disc, flex wheel, wire wheel brush / abrasive cut-off wheel, diamond wheel

1. While pushing the lock lever, mount the wheel guard with the protrusions on the wheel guard aligned with the notches on the bearing box.

► **Fig.6:** 1. Lock lever 2. Notch 3. Protrusion

2. While pushing the lock lever toward A, hold down the portions B of the wheel guard as shown in the figure.

► **Fig.7:** 1. Wheel guard 2. Hole

**NOTE:** Push down the wheel guard straight. Otherwise, you cannot secure the wheel guard.

3. While pushing the lock lever toward A, rotate the wheel guard toward C, and then, change the angle of the wheel guard according to the work so that the operator can be protected. Align the lock lever with one of the holes in the wheel guard, and then release the lock lever to lock the wheel guard.

► **Fig.8:** 1. Wheel guard 2. Hole

To remove wheel guard, follow the installation procedure in reverse.

### Clip-on cutting wheel guard attachment

#### Optional accessory

**NOTE:** For cutting-off operations, a clip-on cutting wheel guard attachment can be used with the wheel guard (for grinding wheel).

Not available in some countries.

► **Fig.9**

## Installing or removing depressed center wheel or flap disc

### Optional accessory

**⚠ WARNING:** When using a depressed center wheel or flap disc, the wheel guard must be fitted on the tool so that the closed side of the guard always points toward the operator.

**⚠ WARNING:** Make sure that the mounting part of the inner flange fits into the inner diameter of the depressed center wheel / flap disc perfectly. Mounting the inner flange on the wrong side may result in the dangerous vibration.

Mount the inner flange onto the spindle. Make sure to fit the dented part of the inner flange onto the straight part at the bottom of the spindle. Fit the depressed center wheel / flap disc on the inner flange and screw the lock nut onto the spindle.

► **Fig.10:** 1. Lock nut 2. Depressed center wheel 3. Inner flange 4. Mounting part

To tighten the lock nut, press the shaft lock firmly so that the spindle cannot revolve, then use the lock nut wrench and securely tighten clockwise.

► **Fig.11:** 1. Lock nut wrench 2. Shaft lock

To remove the wheel, follow the installation procedure in reverse.

## Installing or removing flex wheel

### Optional accessory

**⚠ WARNING:** Always use supplied guard when flex wheel is on the tool. Wheel can shatter during use and guard helps to reduce chances of personal injury.

► **Fig.12:** 1. Lock nut 2. Flex wheel 3. Back up pad 4. Inner flange

Follow instructions for depressed center wheel but also use back up pad over wheel.

## Installing or removing abrasive disc

### Optional accessory

► **Fig.13:** 1. Sanding lock nut 2. Abrasive disc 3. Rubber pad

1. Mount the rubber pad onto the spindle.
2. Fit the disc on the rubber pad and screw the sanding lock nut onto the spindle.
3. Hold the spindle with the shaft lock, and securely tighten the sanding lock nut clockwise with the lock nut wrench.

To remove the disc, follow the installation procedure in reverse.

**NOTE:** Use sander accessories specified in this manual. These must be purchased separately.

## Super flange

### Optional accessory

**Only for model GA4595 / GA5095**

Super flange is a special accessory for model which is NOT equipped with a brake function.

Only 1/3 of efforts needed to undo lock nut, compared with conventional type.

## Installing or removing Ezynut

### Optional accessory

**Only for tools with M14 spindle thread.**

**⚠ CAUTION:** Do not use Ezynut with Super Flange. Those flanges are so thick that the entire thread cannot be retained by the spindle.

Mount inner flange, abrasive wheel and Ezynut onto the spindle so that Makita Logo on Ezynut faces outside.

► **Fig.14:** 1. Ezynut 2. Abrasive wheel 3. Inner flange 4. Spindle

Press shaft lock firmly and tighten Ezynut by turning the abrasive wheel clockwise as far as it turns.

► **Fig.15:** 1. Shaft lock

To loosen the Ezynut, turn the outside ring of Ezynut counterclockwise.

**NOTE:** Ezynut can be loosened by hand as long as the arrow points the notch. Otherwise a lock nut wrench is required to loosen it. Insert one pin of the wrench into a hole and turn Ezynut counterclockwise.

► **Fig.16:** 1. Arrow 2. Notch

► **Fig.17**

## Installing abrasive cut-off / diamond wheel

### Optional accessory

**⚠ WARNING:** When using an abrasive cut-off / diamond wheel, be sure to use only the special wheel guard designed for use with cut-off wheels.

**⚠ WARNING:** NEVER use cut-off wheel for side grinding.

► **Fig.18:** 1. Lock nut 2. Abrasive cut-off wheel / diamond wheel 3. Inner flange 4. Wheel guard for abrasive cut-off wheel / diamond wheel

As for the installation, follow the instructions for depressed center wheel.

The direction for mounting the lock nut and the inner flange varies by wheel type and thickness. Refer to the following figures.

**When installing the abrasive cut-off wheel:**

► **Fig.19:** 1. Lock nut 2. Abrasive cut-off wheel (Thinner than 4 mm (5/32")) 3. Abrasive cut-off wheel (4 mm (5/32") or thicker) 4. Inner flange

**When installing the diamond wheel:**

► **Fig.20:** 1. Lock nut 2. Diamond wheel (Thinner than 4 mm (5/32")) 3. Diamond wheel (4 mm (5/32") or thicker) 4. Inner flange

## Installing wire cup brush

### Optional accessory

**CAUTION:** Do not use brush that is damaged, or which is out of balance. Use of damaged brush could increase potential for injury from contact with broken brush wires.

Place the tool upside down to allow easy access to the spindle.

Remove any accessories on spindle. Thread wire cup brush onto spindle and tighten with supplied wrench.

► **Fig.21:** 1. Wire cup brush

## Installing wire wheel brush

### Optional accessory

**CAUTION:** Do not use wire wheel brush that is damaged, or which is out of balance. Use of damaged wire wheel brush could increase potential for injury from contact with broken wires.

**CAUTION:** ALWAYS use guard with wire wheel brushes, assuring diameter of wheel fits inside guard. Wheel can shatter during use and guard helps to reduce chances of personal injury.

Place the tool upside down to allow easy access to the spindle.

Remove any accessories on spindle. Thread wire wheel brush onto spindle and tighten with the wrenches.

► **Fig.22:** 1. Wire wheel brush

## Installing hole cutter

### Optional accessory

Place the tool upside down to allow easy access to the spindle.

Remove any accessories on the spindle. Thread the hole cutter onto the spindle, and tighten it with the supplied wrench.

► **Fig.23:** 1. Hole cutter

## Installing dust collecting wheel guard for grinding

### Optional accessory

With optional accessories, you can use this tool for planing concrete surface.

**CAUTION:** Dust collecting wheel guard for grinding is only for use in planing concrete surface with a cup-type diamond wheel. Do not use this guard with any other cutting accessory or for any other purpose.

**CAUTION:** Before operation, make sure that a vacuum cleaner is connected to the tool and turned on.

Place the tool upside down and install the dust collecting wheel guard.

Mount the inner flange onto the spindle.

Fit the cup-type diamond wheel on the inner flange and tighten the lock nut onto the spindle.

► **Fig.24:** 1. Lock nut 2. Cup-type diamond wheel 3. Hubbed cup-type diamond wheel 4. Inner flange 5. Dust collecting wheel guard 6. Bearing box

**NOTE:** For information how to install the dust collecting wheel guard, refer to the manual of the dust collecting wheel guard.

## Installing dust collecting wheel guard for cutting-off

### Optional accessory

With optional accessories, you can use this tool for cutting stone materials.

► **Fig.25**

**NOTE:** For information how to install the dust collecting wheel guard, refer to the manual of the dust collecting wheel guard.

## Connecting a vacuum cleaner

### Optional accessory

**WARNING:** Never vacuum metal particles created by grinding/cutting/sanding operation. Metal particles created by such operation are so hot that they ignite dust and the filter inside the vacuum cleaner.

To avoid dusty environment caused by masonry cutting, use a dust collecting wheel guard and a vacuum cleaner.

Refer to the instruction manual attached to the dust collecting wheel guard for assembling and using it.

► **Fig.26:** 1. Dust collecting wheel guard 2. Hose of the vacuum cleaner

## Installing or removing dust cover attachment

### Optional accessory

**CAUTION:** Always be sure that the tool is switched off and unplugged before installing or removing the dust cover attachment. Failure to do so causes damage to the tool or a personal injury.

Install the dust cover attachment to each specified position.

For details, refer to the instruction manual of the dust cover attachment.

**NOTICE:** Clean out the dust cover attachment when it is clogged with dust or foreign matters. Continuing operation with a clogged dust cover attachment will damage the tool.



## OPERATION

**⚠ WARNING:** It should never be necessary to force the tool. The weight of the tool applies adequate pressure. Forcing and excessive pressure could cause dangerous wheel breakage.

**⚠ WARNING:** ALWAYS replace wheel if tool is dropped while grinding.

**⚠ WARNING:** NEVER hit the workpiece with the wheel.

**⚠ WARNING:** Avoid bouncing and snagging the wheel, especially when working corners, sharp edges etc. This can cause loss of control and kickback.

**⚠ WARNING:** NEVER use tool with wood cutting blades and other saw blades. Such blades when used on a grinder frequently kick and cause loss of control leading to personal injury.

**⚠ WARNING:** Continued use of a worn-out wheel may result in wheel explosion and serious personal injury.

**⚠ CAUTION:** Never switch on the tool when it is in contact with the workpiece, it may cause an injury to operator.

**⚠ CAUTION:** Always wear safety goggles or a face shield during operation.

**⚠ CAUTION:** After operation, always switch off the tool and wait until the wheel has come to a complete stop before putting the tool down.

**⚠ CAUTION:** ALWAYS hold the tool firmly with one hand on housing and the other on the side grip (handle).

**NOTE:** A dual purpose wheel can be used for both grinding and cutting-off operations.

Refer to the "Operation with wheel/disc" for grinding operation, and refer to the "Operation with abrasive cut-off / diamond wheel" for cutting-off operation.

### Operation with wheel/disc

► Fig.27

Turn the tool on and then apply the wheel or disc to the workpiece.

In general, keep the edge of the wheel or disc at an angle of about 15° to the workpiece surface.

During the break-in period with a new wheel, do not work the grinder in forward direction or it may cut into the workpiece. Once the edge of the wheel has been rounded off by use, the wheel may be worked in both forward and backward direction.

### Operation with abrasive cut-off / diamond wheel

#### Optional accessory

**⚠ WARNING:** Do not "jam" the wheel or apply excessive pressure. Do not attempt to make an excessive depth of cut. Overstressing the wheel increases the loading and susceptibility to twisting or binding of the wheel in the cut and the possibility of kickback, wheel breakage and overheating of the motor may occur.

**⚠ WARNING:** Do not start the cutting operation in the workpiece. Let the wheel reach full speed and carefully enter into the cut moving the tool forward over the workpiece surface. The wheel may bind, walk up or kickback if the power tool is started in the workpiece.

**⚠ WARNING:** During cutting operations, never change the angle of the wheel. Placing side pressure on the cut-off wheel (as in grinding) will cause the wheel to crack and break, causing serious personal injury.

**⚠ WARNING:** A diamond wheel shall be operated perpendicular to the material being cut.

Usage example: operation with abrasive cut-off wheel

► Fig.28

Usage example: operation with diamond wheel

► Fig.29

### Operation with wire cup brush

#### Optional accessory

**⚠ CAUTION:** Check operation of brush by running tool with no load, insuring that no one is in front of or in line with brush.

Usage example: operation with wire cup brush

► Fig.30

**NOTICE:** Avoid applying too much pressure which causes over bending of wires when using brush. It may lead to premature breakage.

### Operation with wire wheel brush

#### Optional accessory

**⚠ CAUTION:** Check operation of wire wheel brush by running tool with no load, insuring that no one is in front of or in line with the wire wheel brush.

Usage example: operation with wire wheel brush

► Fig.31

**NOTICE:** Avoid applying too much pressure which causes over bending of wires when using wire wheel brush. It may lead to premature breakage.

## Operation with hole cutter

### Optional accessory

**⚠ CAUTION:** Check operation of the hole cutter by running the tool with no load, insuring that no one is in front of the hole cutter.

**NOTICE:** Do not tilt the tool during operation. It may lead to premature breakage.

Usage example: operation with hole cutter

► Fig.32

## MAINTENANCE

**⚠ CAUTION:** Always be sure that the tool is switched off and unplugged before attempting to perform inspection or maintenance.

**NOTICE:** Never use gasoline, benzine, thinner, alcohol or the like. Discoloration, deformation or cracks may result.

To maintain product SAFETY and RELIABILITY, repairs, any other maintenance or adjustment should be performed by Makita Authorized or Factory Service Centers, always using Makita replacement parts.

### Air vent cleaning

The tool and its air vents have to be kept clean. Regularly clean the tool's air vents or whenever the vents start to become obstructed.

► Fig.33: 1. Exhaust vent 2. Inhalation vent

# COMBINATION OF APPLICATIONS AND ACCESSORIES

## Optional accessory

**⚠ CAUTION:** Using the tool with incorrect guards can cause risks as follows.

- When using a cut-off wheel guard for facial grinding, the wheel guard may interfere with the workpiece causing poor control.
- When using a grinding wheel guard for cutting-off operations with bonded abrasive wheels and diamond wheels, there is an increased risk of exposure to rotating wheels, emitted sparks and particles, as well as exposure to wheel fragments in the event of wheel burst.
- When using a cut-off wheel guard or grinding wheel guard for facial operations with cup-type diamond wheels, the wheel guard may interfere with the workpiece causing poor control.
- When using a cut-off wheel guard or grinding wheel guard with a wheel-type wire brush with a thickness greater than the maximum thickness as specified in "SPECIFICATIONS", the wires may catch on the guard leading to breaking of wires.
- Use of dust collecting wheel guards for cutting-off and facial operations in concrete or masonry reduces a risk of exposure to dust.
- When using dual purpose (combined grinding and cutting-off abrasive) flange mounted wheels, only use a cut-off wheel guard.

► Fig.34

Only for model GA4593 / GA4594 / GA5093 / GA5094

-	Application	115 mm (4-1/2") model	125 mm (5") model
1	-	Side grip	
2	-	Wheel guard (for grinding wheel)	
3	-	Inner flange	
4	Grinding / Sanding	Depressed center wheel / Flap disc	
5	-	Lock nut	
6	-	Ezynut *1*2	
7	-	Back up pad	
8	Grinding / Sanding	Flex wheel	
9	-	Rubber pad 100	Rubber pad 115
10	Sanding	Abrasive disc	
11	-	Sanding lock nut	
12	Wire brushing	Wire wheel brush	
13	Wire brushing	Wire cup brush	
14	Hole cutting	Hole cutter	
15	-	Wheel guard (for cut-off wheel)	
16	Cutting-off	Abrasive cut-off wheel / Diamond wheel	
17	Grinding / Cutting-off	Dual purpose wheel	
18	-	Clip-on cutting wheel guard attachment *3	
19	-	Dust collecting wheel guard for cutting-off	
20	Cutting-off	Diamond wheel	
21	-	Dust collecting wheel guard for grinding	
22	Grinding	Cup-type diamond wheel	
-	-	Lock nut wrench	
-	-	Dust cover attachment	

Only for model GA4595 / GA5095

	Application	115 mm (4-1/2") model	125 mm (5") model
1	-	Side grip	
2	-	Wheel guard (for grinding wheel)	
3	-	Inner flange / Super flange *1*2	
4	Grinding / Sanding	Depressed center wheel / Flap disc	
5	-	Lock nut	
6	-	Ezynut *1*2	
7	-	Back up pad	
8	Grinding / Sanding	Flex wheel	
9	-	Rubber pad 100	Rubber pad 115
10	Sanding	Abrasive disc	
11	-	Sanding lock nut	
12	Wire brushing	Wire wheel brush	
13	Wire brushing	Wire cup brush	
14	Hole cutting	Hole cutter	
15	-	Wheel guard (for cut-off wheel)	
16	Cutting-off	Abrasive cut-off wheel / Diamond wheel	
17	Grinding / Cutting-off	Dual purpose wheel	
18	-	Clip-on cutting wheel guard attachment *3	
19	-	Dust collecting wheel guard for cutting-off	
20	Cutting-off	Diamond wheel	
21	-	Dust collecting wheel guard for grinding	
22	Grinding	Cup-type diamond wheel	
-	-	Lock nut wrench	
-	-	Dust cover attachment	

**NOTE:** \*1 Do not use Super flange and Ezynut together.

**NOTE:** \*2 Only for tools with M14 spindle thread.

**NOTE:** \*3 Clip-on cutting wheel guard attachment is not available in some countries. For more details, refer to the instruction manual of the clip-on cutting wheel guard attachment.

**NOTE:** Do not use Super flange with a grinder equipped with a brake function.

## OPTIONAL ACCESSORIES

**⚠ CAUTION:** These accessories or attachments are recommended for use with your Makita tool specified in this manual. The use of any other accessories or attachments might present a risk of injury to persons. Only use accessory or attachment for its stated purpose.

If you need any assistance for more details regarding these accessories, ask your local Makita Service Center.

- Accessories listed in "COMBINATION OF APPLICATIONS AND ACCESSORIES"

**NOTE:** Some items in the list may be included in the tool package as standard accessories. They may differ from country to country.

## 规格

型号:		GA4593	GA4594	GA4595	GA5093	GA5094	GA5095
适用砂轮	最大轮直径	115 mm			125 mm		
	最大轮厚度	7.2 mm					
适用切割砂轮	最大轮直径	115 mm			125 mm		
	最大轮厚度	3.2 mm					
适用钢丝轮刷	最大轮直径	115 mm			125 mm		
	最大轮厚度	20 mm					
主轴螺纹		M14或5/8" (规格因国家而异)					
最大主轴长度		23 mm					
空载速度 (n <sub>0</sub> ) / 额定速度 (n)		11,500 r/min					
长度		349 mm	326 mm	349 mm	326 mm	349 mm	326 mm
净重		2.8 - 4.0 kg	2.6 - 3.8 kg	2.9 - 4.0 kg	2.7 - 3.8 kg	2.9 - 4.0 kg	2.7 - 3.8 kg
安全等级		II					

- 生产者保留变更规格不另行通知之权利。
- 规格可能因销往国家之不同而异。
- 重量因附件而异。根据EPTA-Procedure 01/2014, 最重与最轻的组合见表格。

## 符号

以下显示本设备可能会使用的符号。在使用工具之前, 请务必理解其含义。



阅读使用说明书。



佩带安全眼镜。



始终使用双手操作。



请勿将砂轮罩用于切割操作。



II类工具



仅限于欧盟国家  
由于本设备中包含有害成分, 因此使用过的电气和电子设备可能会对环境和人体健康产生负面影响。  
请勿将电气和电子工具与家庭普通废弃物放在一起处置!  
根据欧洲关于废弃电气电子设备的指令及其国家层面的修订法案, 使用过的电气和电子设备应当单独收集并递送至城市垃圾收集点, 根据环保规定进行处置。  
此规定由标有叉形标志的带垃圾桶符号表示。

## 用途

本工具用于在无水情况下进行金属和石块材料的磨削、砂磨、钢丝刷清理、切孔和切割。

## 电源

本工具只可连接电压与铭牌所示电压相同的电源，且仅可使用单相交流电源。本工具双重绝缘，因此也可用于不带接地线的插座。

## 安全警告

### 电动工具通用安全警告

**警告：** 阅读随电动工具提供的所有安全警告、说明、图示和规定。不遵照以下所列说明会导致电击、着火和 / 或严重伤害。

## 保存所有警告和说明书以备查阅。

警告中的术语“电动工具”是指市电驱动（有线）电动工具或电池驱动（无线）电动工具。

### 工作场地的安全

1. 保持工作场地清洁和明亮。杂乱和黑暗的场地会引发事故。
2. 不要在易爆环境，如有易燃液体、气体或粉尘的环境下操作电动工具。电动工具产生的火花会点燃粉尘或气体。
3. 操作电动工具时，远离儿童和旁观者。注意力不集中会使你失去对工具的控制。

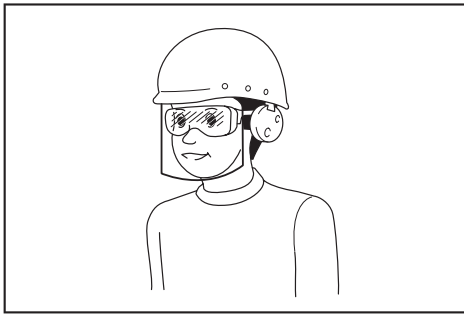
### 电气安全

1. 电动工具插头必须与插座相配。绝不能以任何方式改装插头。需接地的电动工具不能使用任何转换插头。未经改装的插头和相配的插座将降低电击风险。
2. 避免人体接触接地表面，如管道、散热片和冰箱。如果你身体接触接地表面会增加电击风险。
3. 不得将电动工具暴露在雨中或潮湿环境中。水进入电动工具将增加电击风险。
4. 不得滥用软线。绝不能用软线搬运、拉动电动工具或拔出其插头。使软线远离热源、油、锐边或运动部件。受损或缠绕的软线会增加电击风险。
5. 当在户外使用电动工具时，使用适合户外使用的延长线。适合户外使用的电线将降低电击风险。
6. 如果无法避免在潮湿环境中操作电动工具，应使用带有剩余电流装置（RCD）保护的电源。RCD的使用可降低电击风险。

7. 始终建议通过额定剩余电流为30 mA或以下的RCD来使用电源。
8. 电动工具会产生对用户无害的电磁场（EMF）。但是，起搏器和其他类似医疗设备的用户应在操作本电动工具前咨询其设备的制造商和 / 或医生寻求建议。
9. 请勿用湿手触摸电源插头。
10. 如果电源线破损，则由制造商或其代理商更换以避免安全隐患。

### 人身安全

1. 保持警觉，当操作电动工具时关注所从事的操作并保持清醒。当你感到疲倦，或在有药物、酒精或治疗反应时，不要操作电动工具。在操作电动工具时瞬间的疏忽会导致严重人身伤害。
2. 使用个人防护装置。始终佩戴护目镜。防护装置，诸如适当条件下使用防尘面具、防滑安全鞋、安全帽、听力防护等装置能减少人身伤害。
3. 防止意外起动。在连接电源和/或电池包、拿起或搬运工具前确保开关处于关断位置。手指放在开关上搬运工具或开关处于接通时通电会导致危险。
4. 在电动工具接通之前，拿掉所有调节钥匙或扳手。遗留在电动工具旋转零件上的扳手或钥匙会导致人身伤害。
5. 手不要过分伸展。时刻注意立足点和身体平衡。这样能在意外情况下能更好地控制住电动工具。
6. 着装适当。不要穿宽松衣服或佩戴饰品。让你的头发和衣服远离运动部件。宽松衣服、佩饰或长发可能会卷入运动部件。
7. 如果提供了与排屑、集尘设备连接用的装置，要确保其连接完好且使用得当。使用集尘装置可降低尘屑引起的危险。
8. 不要因为频繁使用工具而产生的熟悉感而掉以轻心，忽视工具的安全准则。某个粗心的动作可能在瞬间导致严重的伤害。
9. 使用电动工具时请始终佩戴护目镜以免伤害眼睛。护目镜须符合美国ANSI Z87.1、欧洲EN 166或者澳大利亚 / 新西兰的AS/NZS 1336的规定。在澳大利亚 / 新西兰，法律要求佩戴面罩保护脸部。



雇主有责任监督工具操作者和其他近工作区域人员佩戴合适的安全防护设备。

### 电动工具使用和注意事项

1. 不要勉强使用电动工具，根据用途使用合适的电动工具。选用合适的按照额定值设计的电动工具会使你工作更有效、更安全。
2. 如果开关不能接通或关断电源，则不能使用该电动工具。不能通过开关来控制电动工具是危险的且必须进行修理。
3. 在进行任何调节、更换附件或贮存电动工具之前，必须从电源上拔掉插头和/或卸下电池包（如可拆卸）。这种防护性的安全措施降低了电动工具意外起动的风险。
4. 将闲置不用的电动工具贮存在儿童所及范围之外，并且不允许不熟悉电动工具和不了解这些说明的人操作电动工具。电动工具在未经培训的使用者手中是危险的。
5. 维护电动工具及其附件。检查运动部件是否调整到位或卡住，检查零件破损情况和影响电动工具运行的其他状况。如有损坏，应在使用前修理好电动工具。许多事故是由维护不良的电动工具引发的。
6. 保持切削刀具锋利和清洁。维护良好地有锋利切削刃的刀具不易卡住而且容易控制。
7. 按照使用说明书，并考虑作业条件和要进行的作业来选择电动工具、附件和工具的刀头等。将电动工具用于那些与其用途不符的操作可能会导致危险情况。
8. 保持手柄和握持表面干燥、清洁，不得沾有油脂。在意外的情况下，湿滑的手柄不能保证握持的安全和对工具的控制。
9. 使用本工具时，请勿佩戴可能会缠绕的布质工作手套。布质工作手套卷入移动部件可能会造成人身伤害。

### 维修

1. 由专业维修人员使用相同的备件维修电动工具。这将保证所维修的电动工具的安全。
2. 上润滑油及更换附件时请遵循本说明书指示。

### 磨光机安全警告

磨削、砂磨、钢丝刷清理或切割操作的通用安全警告：

1. 本电动工具用作磨光机、砂光机、钢丝刷、孔切刀或切断工具。请通读本电动工具附带的所有安全警告、说明、插图和规格。若不遵循下列所有的说明，则可能导致触电、起火和/或严重的人身伤害。
2. 请勿将本电动工具用于抛光等操作。进行非本电动工具设计用途的操作可能会有危险并导致人身伤害。
3. 请勿将本电动工具改为以非专用的以及非工具制造商指定的方式操作。这种改变可能造成工具失控并导致严重的人身伤害。
4. 请勿使用非专用的以及非工具制造商指定的附件。这些附件虽然可安装到电动工具上，但无法确保操作安全。
5. 附件的额定速度必须至少等于电动工具上标出的最大速度。附件以比其额定速度快的速度运转会发生爆裂和飞溅。
6. 附件的外径和厚度必须在电动工具额定能力范围之内。不正确的附件尺寸不能得到充分防护或控制。
7. 附件安装尺寸必须与本电动工具安装硬件的尺寸吻合。若附件与本电动工具的安装硬件不匹配，则会导致工具失衡、剧烈振动，甚至可能出现失控的情况。
8. 请勿使用损坏的附件。在每次使用之前，请检查附件，如砂轮有无碎片和裂缝，支持垫盘有无裂缝、破损或过度磨损，钢丝刷有无松动或断裂的钢丝。如果电动工具或附件掉落，请检查有无损坏或重新安装一个未损坏的附件。检查和安装附件后，让自己和旁观者的位置远离旋转附件的平面，并以电动工具最大空载速度运行一分钟。损坏的附件通常会在此测试期间破裂。

9. 请穿戴个人劳防用品。根据应用情况，请使用面罩、安全护目镜或安全眼镜。根据情况穿戴可防止较小的砂磨碎片或工件碎片的防尘面罩、耳罩、手套和车间用的围裙。护目镜必须具备可防止多种应用场合所产生的飞溅碎片的能力。防尘面罩或呼吸器必须具备可过滤具体应用中产生的微粒的能力。长时间的强度高噪音可能会损伤您的听力。
10. 使旁观者远离工作区域，保持一定的安全距离。任何进入工作区域的人必须穿戴个人劳防用品。工件或破损附件的碎片可能会飞溅到直接操作区域以外并导致人身伤害。
11. 当进行作业时，切割附件可能会接触到隐藏的电线或自身的电线，请仅握住电动工具的绝缘抓握表面。切割附件接触到“带电”的电线时，电动工具上曝露的金属部分可能也会“带电”，并使操作者触电。
12. 使导线远离旋转附件。否则，导线可能会被切割到或卡住，从而可能使您的手或手臂被拖入旋转附件中。
13. 在附件完全停止之前，切勿将电动工具放下。旋转附件可能会碰撞到表面而导致电动工具失控。
14. 当您身边携带电动工具时，请勿使其运行。不小心接触到旋转附件可能会导致您的衣物被卷入，甚至伤及身体。
15. 请定期清洁电动工具的通风口。电机的风扇会将灰尘带入外罩，过多的金属粉末堆积会导致电气危害。
16. 请勿在可燃物附近操作电动工具。火花可能会点燃这些物品。
17. 请勿使用需要冷却液的附件。使用水或其他冷却液可能会导致触电死亡或电击。

## 反弹和相关的警告：

反弹是正在旋转的轮、支持垫盘、刷毛或其他附件卡滞时突然产生的反作用力。卡滞会导致旋转附件快速停止，从而导致在卡滞点处对失控的工具产生与附件旋转方向相反的作用力。

例如，如果工件使得砂轮卡滞，则进入卡滞点的轮边缘将进入材料的表面，导致轮跳出或弹出。根据轮在卡滞点的运动方向，轮可能会跳向或远离操作者。在这种情况下，砂轮也可能会破裂。

电动工具误操作和 / 或不正确的操作步骤或条件将导致反弹，正确遵守以下所述的注意事项即可避免。

1. 使用电动工具时请双手牢固紧握把手，调整身体和手臂位置以防止反弹力。如果提供了辅助手柄，请务必使用，以便在启动时最大程度地控制反弹或转矩反作用力。如果正确遵守注意事项，操作者可控制转矩反作用力或反弹力。
2. 切勿将手靠近旋转的附件。附件可能会反弹到您手上。
3. 请勿置身于发生反弹时电动工具可能移动的区域。反弹会在卡滞点处以与轮运动方向相反的力作用于工具。
4. 当处理边角、锐利的边缘等处时请特别小心。避免使附件弹起和卡滞。边角、锐利的边缘或弹起容易使旋转的附件卡滞并导致工具失控或反弹。
5. 请勿安装锯链、木雕锯片、外围间隙大于 10 mm 的扇形金刚石砂轮或齿状锯片。这些锯片会造成频繁反弹和工具失控。

## 专用于磨削和切割操作的安全警告：

1. 请仅使用指定用于您的电动工具的轮类型以及专用于所选轮的保护罩。非专用于本电动工具的轮无法得到足够的防护且无法保证安全。
2. 钹形砂轮的磨削表面必须安装在保护罩边缘的平面之下。突出于保护罩边缘平面的安装不当的轮将不能得到充分的保护。
3. 保护罩必须牢固安装到电动工具上并放置在最为安全的位置，使得轮外露于操作者的部分尽可能地少。保护罩可防止操作者被破损轮的碎片划伤或意外接触到轮和可能会点燃衣物的火花。
4. 仅可将轮用于指定的应用情况。例如：请勿使用切割砂轮的侧面进行磨削。切割砂轮用于进行外围磨削，对这些轮应用侧力可能会导致其破碎。



5. 请务必使用未损坏的轮法兰，尺寸和外形应符合您所选的轮。合适的轮法兰可减少轮破损的危险。切割砂轮的法兰可能与磨削砂轮法兰有所不同。
6. 请勿使用从更大的电动工具上拆下来的已磨损的轮。用于大型电动工具的轮不适合小型工具的高速操作，可能会爆裂。
7. 使用两用轮时，请务必为执行的应用使用正确的保护罩。若不使用正确的保护罩，可能无法提供所需等级的保护，从而导致严重的人身伤害。

#### 专用于切割操作的附加安全警告：

1. 请勿“挤压”切割砂轮或对其过度施压。请勿试图切割过深。对轮过度施压会使负荷增加，使轮在切割时易于扭曲或卡滞，也使发生反弹或轮破损的可能性增大。
2. 请勿与旋转的轮成一直线站立或站在其后面。当操作时轮的移动方向为远离您，如果此时发生反弹，则可能会迫使旋转的轮和电动工具直接指向您。
3. 当轮卡滞或因任何原因中断切割操作时，请关闭电动工具并使其保持不动，直至轮完全停止。当轮还在运动中时，切勿试图将切割砂轮从工件中取出，否则可能会造成反弹。研究并采取正确的措施以消除轮卡滞的原因。
4. 请勿在工件中重新启动切割操作。请等到轮到达全速后再小心地重新进行切割。如果电动工具在工件中重新启动，则轮可能会卡滞、移动或反弹。
5. 请支撑面板或其他大型工件以最小化轮卡滞和反弹的可能。大型工件会因自身的重量而下陷。必须在工件下面靠近切割线和轮两侧工件边缘处放置支撑件。
6. 当在墙壁或其他盲区进行“袖珍切割”时请尤其小心。凸出的轮可能会切割到气管或水管、电线或其他物体，从而导致反弹。
7. 请勿试图切割曲面。对轮过度施压会使负荷增加，使轮在切割时易于扭曲或卡滞，也使发生反弹或轮破损的可能性增大，从而导致严重的人身伤害。
8. 使用扇形金刚石砂轮之前，请确保金刚石砂轮节块间的外围间隙为**10 mm**或更小，并且只具有一个负倾角。

#### 专用于砂磨操作的安全警告：

1. 使用合适尺寸的砂盘纸。选择砂纸时，请遵照制造商的推荐。远大于砂盘的砂纸会有破裂的危险并可能会导致盘卡滞、破裂或反弹。

#### 专用于钢丝刷清理操作的安全警告：

1. 即使在正常操作时，也请小心钢丝刷的刷毛飞出。请勿施加过载至刷毛导致钢丝承载过大的压力。钢丝刷毛可以轻易地穿透轻薄的衣服和 / 或皮肤。
2. 如果指定为钢丝刷处理配备保护罩，请勿使保护罩影响钢丝轮或刷毛。由于作业的负荷和离心力作用，钢丝轮或刷毛在直径上可能会有所伸展。

#### 附加安全警告：

1. 当使用锥形砂轮时，请务必且仅可使用玻璃钢砂轮。
2. 使用本磨光机时切勿使用机碗形砂轮。此类砂轮不适用于本磨光机，强行使用可能会导致严重的人身伤害。
3. 请小心勿损坏主轴、法兰（尤其是安装表面）或锁紧螺母。这些部件损坏可能会导致砂轮破裂。
4. 打开开关前，请确认砂轮未与工件接触。
5. 在实际的工件上使用工具之前，请先让工具空转片刻。请注意，振动或摇摆可能表示安装不当或砂轮不平衡。
6. 请使用砂轮的指定表面来执行磨削。
7. 运行中的工具不可离手放置。只可在手握工具的情况下操作工具。
8. 操作之后，请勿立刻触摸工件，因为其可能会非常烫，导致烫伤皮肤。
9. 操作之后，请勿立刻触摸附件，因为它们可能会非常烫，从而导致烫伤皮肤。
10. 请遵照制造商的说明进行正确安装和使用砂轮。请小心处理和存放砂轮。
11. 请勿使用分离式卸套或适配器来适配大孔砂轮。
12. 请仅使用本工具指定的法兰。
13. 对于要安装螺纹孔砂轮的工，请确保砂轮中的螺纹足够长，可配合主轴的长度。
14. 检查并确认工件被正确支撑。
15. 请注意，关闭工具之后，砂轮还会继续旋转。
16. 如果工作场所非常热并且潮湿，或者被导电灰尘严重污染，请使用短路断路器（**30 mA**）以保障操作者的人身安全。

17. 请勿在任何含有石棉的材料上使用本工具。
18. 当使用切割砂轮时，如果国内法规规定，请务必使用集尘式砂轮罩。
19. 切割盘不得受到任何侧向的压力。
20. 操作时请勿使用布质工作手套。布质手套的纤维可能会进入工具，导致工具破裂。
21. 操作前，请务必保证工件内无埋藏物，例如电气配管、水管或气体管。否则可能引起触电、漏电或漏气。
22. 如果缓冲垫安装在轮上，请勿将其拆下。缓冲垫的直径必须大于锁紧螺母、外法兰和内法兰。
23. 安装砂轮之前，请务必检查缓冲垫的部件是否有任何异常，例如切屑或裂缝。
24. 正确紧固锁紧螺母。轮过紧会导致破裂，紧固不足会导致颤振。

## 请保留此说明书。

**警告：** 请勿为图方便或因对产品足够熟悉（由于重复使用而获得的经验）而不严格遵循相关产品安全规则。使用不当或不遵循使用说明书中的安全规则会导致严重的人身伤害。

## 功能描述

**小心：** 在调节或检查工具功能之前，请务必关闭工具电源开关并拔下电源插头。

## 工具保护系统

本工具配备工具保护系统。该系统可自动降低功率或切断电源以延长工具寿命。如果工具处于以下任一情况，操作期间工具机将会自动降低功率或停止运转：

### 过载保护

当以导致异常高电流的方式操作工具时，工具会自动降低功率，而无任何指示。在这种情况下，排除导致过载的原因以恢复运转。

### 过热保护

#### 规格因国家而异

工具过热时，工具将自动停止运转且指示灯闪烁红色。在这种情况下，请使工具冷却。灯颜色从红变为绿后，您可以再次开启工具。

## 指示灯

### ► 图片1: 1. 指示灯

接通工具电源时，指示灯呈绿色亮起。如果指示灯闪烁红色，过热保护、主动反馈感测技术或防止意外重启功能停止运行。在这种情况下，请关闭工具。然后，开启工具以重新启动。如果关闭工具后指示灯呈红色亮起，则工具过热。在这种情况下，请冷却工具并等待直至指示灯呈绿色亮起。

## 转速调节刻度盘

### 仅限GA4593/GA5093型号

**小心：** 如果工具长时间以低速持续操作，则电机可能会过载并发热。

**小心：** 转速调节刻度盘只能在1和5之间调节。请勿用强力将其拨至超过1或5的位置，否则调速功能可能会失灵。

可通过在1至5范围内转动转速调节刻度盘至指定值来改变旋转速度。朝数字5方向旋转刻度盘时，速度递增。而将其朝数字1方向旋转时，转速递减。有关刻度盘上的数值设定和旋转速度近似值的对应关系，请参阅下表。

数值	额定速度
1	2,800 r/min
2	4,500 r/min
3	6,500 r/min
4	8,000 r/min
5	11,500 r/min

### ► 图片2: 1. 转速调节刻度盘

## 轴锁

**警告：** 切勿在主轴移动时启用轴锁。这可能会导致严重的人身伤害或工具损坏。

安装或拆卸附件时，按下轴锁，防止主轴旋转。

### ► 图片3: 1. 轴锁

## 开关操作

**⚠️小心：** 插上工具电源插头之前，请务必确认开关柄能够正常工作，松开时能回到“OFF”（关闭）位置。

**⚠️小心：** 为了您的安全，本工具配备了锁定杆，可防止工具误启动。如果在仅扣动开关柄而未按下锁定杆的情况下，工具也会开始运行，则切勿使用此工具。在进一步使用该工具之前，请将其送至授权的维修中心进行正确的修理。

**⚠️小心：** 在没有按下锁定杆的情况下，请勿用力扣动开关柄。这样可能导致开关破损。

**⚠️小心：** 切勿封住锁定杆或废除其用途和功能。

为避免使用者不小心挤按到开关柄，本工具采用了锁定杆。  
要启动工具，请向操作者所处方向拉锁定杆，然后扣动开关柄。

要停止工具，请松开开关柄。

▶ **图片4：** 1. 锁定杆 2. 开关柄

## 电子功能

### 主动反馈感测技术

**⚠️小心：** 握紧工具，直到旋转停止。

本工具可以电子方式检测砂轮或附件是否有卡滞的风险。在这种情况下，本工具会自动切断电源以防止主轴继续旋转（无法防止反弹）。

此时，指示灯闪烁红色，表示主动反馈感测技术正在工作。

要重新启动工具，请先关闭工具，排除旋转速度突然下降的原因，然后再启动工具。

### 防止意外重启功能

在开关位于ON（开启）的情况下插上工具电源插头时，工具无法启动。

此时，指示灯闪烁红色，表示正在启用防止意外重启功能。

要启动工具时，关闭开关，然后再将其开启。

### 恒速控制

即使在有负载的情况下亦可保持旋转速度恒定，从而达到良好的磨光效果。

### 软启动功能

软启动功能可抑制启动时的阻力。

## 机械制动器

仅限GA4593/GA4594/GA5093/GA5094型号

在关闭工具开关后，机械制动器启用。

在切断电源但开关仍开启的情况下，该制动器不工作。

## 装配

**⚠️小心：** 对工具进行任何装配操作前请务必确认机器已关闭且已拔下电源插头。

### 安装侧把手（手柄）

**⚠️小心：** 在进行操作之前，请务必将侧柄牢固地安装在工具上。

在如图所示的工具位置上拧紧侧把手。

▶ **图片5**

### 砂轮罩的安装或拆卸

**⚠️警告：** 当使用钹形砂轮、干叶片、弹性砂轮片或钢丝轮刷时，必须将砂轮罩安装到工具上，确保砂轮罩的封闭侧始终朝向操作者所在位置。

**⚠️警告：** 请务必利用锁定杆并通过砂轮罩上任意一个孔将砂轮罩固定牢固。

**⚠️警告：** 使用切割砂轮 / 金刚石砂轮时，请务必仅使用专用于切割砂轮的砂轮罩。

适用于钹形砂轮、干叶片、弹性砂轮片、钢丝轮刷 / 切割砂轮、金刚石砂轮

1. 按下锁定杆的同时，安装砂轮罩并确保砂轮罩上的凸起部分对准轴承箱上的槽口。

▶ **图片6：** 1. 锁定杆 2. 槽口 3. 凸起部分

2. 将锁定杆朝A方向推动的同时，如图所示，向下压砂轮罩的B部分。

▶ **图片7：** 1. 砂轮罩 2. 孔

**注：** 务必径直下压砂轮罩。否则无法固定砂轮罩。

3. 在向A方向推动锁定杆的同时, 将砂轮罩朝C方向转动, 然后根据工作需要更改砂轮罩的角度以保护操作人员。将锁定杆与砂轮罩上一个孔对齐, 然后释放锁定杆将砂轮罩锁定。

► **图片8:** 1. 砂轮罩 2. 孔

拆下砂轮罩时, 按与安装步骤相反的顺序进行。

## 夹式切割用砂轮罩附加装置

### 选购附件

**注:** 对于切割操作, 夹式切割用砂轮罩附加装置可与砂轮罩(砂轮用)搭配使用。

部分国家可能不提供。

► **图片9**

## 安装或拆下钹形砂轮或干叶片

### 选购附件

**警告:** 当使用钹形砂轮或干叶片时, 必须将砂轮罩安装到工具上, 确保砂轮罩的封闭侧始终朝向操作者所在位置。

**警告:** 确保将内法兰盘的安装部件完美地装配至钹形砂轮/干叶片的内直径。将内法兰盘安装至错误的一侧可能会导致危险的振动。

将内法兰盘安装到主轴上。

确保将内法兰盘的凹陷部分安装至主轴的竖直部分。

将钹形砂轮/干叶片安装至内法兰盘上, 并用锁紧螺母将其与主轴固定。

► **图片10:** 1. 锁紧螺母 2. 钹形砂轮 3. 内法兰盘 4. 安装部件

拧紧锁紧螺母时, 需用力按住轴锁以防主轴转动, 然后用锁紧螺母扳手按顺时针拧紧。

► **图片11:** 1. 锁紧螺母扳手 2. 轴锁

拆下砂轮时, 按与安装步骤相反顺序进行。

## 安装或拆卸弹性砂轮片

### 选购附件

**警告:** 当工具上装有弹性砂轮片时, 请务必使用提供的砂轮罩。在使用中砂轮可能会碎裂, 砂轮罩可降低人身伤害的危险。

► **图片12:** 1. 锁紧螺母 2. 弹性砂轮片 3. 支撑垫 4. 内法兰盘

遵循指示操作钹形砂轮, 并在轮上使用支撑垫。

## 安装或拆卸砂轮片

### 选购附件

► **图片13:** 1. 砂磨用锁紧螺母 2. 砂轮片 3. 橡胶垫

1. 在主轴上安装橡胶垫。

2. 将砂轮片安装在橡胶垫上并将砂磨用锁紧螺母紧固在主轴上。

3. 使用轴锁固定主轴, 并使用锁紧螺母扳手顺时针牢固拧紧砂磨用锁紧螺母。

要拆下砂轮片时, 请按与安装时相反的步骤进行。

**注:** 请使用本手册中指定的砂光机配件。这些配件需要另行购买。

## 表面法兰

### 选购附件

仅限GA4595/GA5095型号

表面法兰是用于未配备制动功能的型号的特殊附件。

与传统型相比, 仅需花1/3的力气即可松开锁紧螺母。

## 安装或拆卸使用螺母(Ezynut)

### 选购附件

仅用于带M14主轴螺纹的工具。

**小心:** 请勿将使用螺母(Ezynut)与表面法兰一起使用。这些法兰较厚, 主轴无法从其中穿出。

将内法兰盘、砂轮和使用螺母(Ezynut)安装至主轴上, 使使用螺母(Ezynut)上的Makita(牧田)标志面朝外。

► **图片14:** 1. 使用螺母(Ezynut) 2. 砂轮 3. 内法兰盘 4. 主轴

用力按住轴锁, 尽量顺时针旋转砂轮以紧固使用螺母(Ezynut)。

► **图片15:** 1. 轴锁

要松开使用螺母(Ezynut)时, 请逆时针旋转使用螺母(Ezynut)的外环。

**注:** 箭头指向凹槽时可以手动松开使用螺母(Ezynut)。否则需用锁紧螺母扳手方可松开。将扳手销插入孔内逆时针转动使用螺母(Ezynut)。

► **图片16:** 1. 箭头 2. 凹槽

► **图片17**

## 安装切割砂轮 / 金刚石砂轮

### 选购附件

**⚠警告：** 使用切割砂轮 / 金刚石砂轮时，请务必仅使用专用于切割砂轮的砂轮罩。

**⚠警告：** 切勿使用切割砂轮进行侧面磨削。

► **图片18：** 1. 锁紧螺母 2. 切割砂轮 / 金刚石砂轮 3. 内法兰盘 4. 切割砂轮 / 金刚石砂轮用砂轮罩

安装时，请遵循锥形砂轮的操作指示。  
安装锁紧螺母和内法兰的方向因轮类型和厚度而异。  
请参阅下图。

### 安装切割砂轮时：

► **图片19：** 1. 锁紧螺母 2. 切割砂轮（厚度低于4 mm（5/32"）） 3. 切割砂轮（厚度为4 mm（5/32"）或以上） 4. 内法兰盘

### 安装金刚石砂轮时：

► **图片20：** 1. 锁紧螺母 2. 金刚石砂轮（厚度低于4 mm（5/32"）） 3. 金刚石砂轮（厚度为4 mm（5/32"）或以上） 4. 内法兰盘

## 安装杯形钢丝刷

### 选购附件

**⚠小心：** 请勿使用损坏或失衡的钢丝刷。使用损坏的钢丝刷会增加因接触损坏的刷丝而导致的潜在危险。

将工具倒置以便操作主轴。  
拆下主轴上的所有附件。将杯形钢丝刷安装至主轴并用提供的扳手加以紧固。

► **图片21：** 1. 杯形钢丝刷

## 安装钢丝轮刷

### 选购附件

**⚠小心：** 请勿使用损坏或失衡的钢丝轮刷。使用损坏的钢丝轮刷会增加因接触损坏的刷丝而导致的潜在危险。

**⚠小心：** 务必将钢丝轮刷与砂轮罩一同使用，并确保砂轮直径适合砂轮罩。在使用中砂轮可能会碎裂，砂轮罩可降低人身伤害的危险。

将工具倒置以便操作主轴。  
拆下主轴上的所有附件。将钢丝轮刷紧固在主轴上并使用扳手加以紧固。

► **图片22：** 1. 钢丝轮刷

## 安装孔切刀

### 选购附件

将工具倒置以便操作主轴。  
拆下主轴上的所有附件。将孔切刀紧固在主轴上，并使用提供的扳手加以紧固。

► **图片23：** 1. 孔切刀

## 安装用于磨削的集尘式砂轮罩

### 选购附件

使用选购附件，您可以将此工具用于磨光混泥土表面。

**⚠小心：** 偏置式金刚石砂轮适用的集尘式砂轮罩仅用于结合使用偏置金刚石砂轮对混泥土表面进行磨光。请勿将此砂轮罩用于任何其他切割附件或任何其他用途。

**⚠小心：** 操作前，确保集尘器已连接到工具上且已开启。

将工具倒置，然后安装集尘式砂轮罩。  
将内法兰安装到主轴上。  
将碗形金刚石砂轮安装在内法兰上，并用锁紧螺母将其与主轴紧固。

► **图片24：** 1. 锁紧螺母 2. 碗形金刚石砂轮 3. 碗形金刚石轮轴砂轮 4. 内法兰盘 5. 集尘式砂轮罩 6. 轴承箱

**注：** 有关集尘式砂轮罩的安装信息，请参考集尘式砂轮罩说明书。

## 安装用于切割的集尘式砂轮罩

### 选购附件

使用选购附件，您可以将此工具用于切割石块材料。

► **图片25**

**注：** 有关集尘式砂轮罩的安装信息，请参考集尘式砂轮罩说明书。

## 连接吸尘器

### 选购附件

**警告：**切勿吸取磨削/切割/打磨操作产生的金属微粒。此类操作产生的金属微粒温度很高，会引燃集尘器里面的灰尘和过滤器。

为避免砖石切削导致多尘环境，请使用集尘式砂轮罩和集尘器。

关于集尘式砂轮罩的装配和使用，请参考集尘式砂轮罩随附的使用说明书。

► **图片26:** 1. 集尘式砂轮罩 2. 集尘器软管

## 安装或拆卸防尘罩装置

### 选购附件

**小心：**在安装或拆卸防尘罩装置之前，请务必确认已经关闭工具电源并拔下电源插头。否则会导致工具受损或人身伤害。

在各指定位置安装防尘罩装置。详情请参考防尘罩装置的使用说明书。

**注意：**当防尘罩装置中堵塞有灰尘或异物时请将其清理干净。如果防尘罩装置堵塞时仍连续运行工具，会导致工具受损。

## 操作

**警告：**操作工具时切勿过度用力。工具的重量可施加足够的压力。施加过度的压力会导致砂轮破碎的危险。

**警告：**如果在磨削时工具跌落，一定要更换砂轮。

**警告：**切勿撞击砂轮。

**警告：**在进行角部或锐边等部分的加工作业时应避免发生砂轮弹跳和受阻现象，以防砂轮失控而反弹。

**警告：**本工具严禁使用锯木锯片和其他锯片。在磨光机上使用时，这些锯片经常会反冲，并使工具失去控制导致人身伤害。

**警告：**持续使用已磨损的砂轮会导致砂轮爆裂，从而造成严重的人身伤害。

**小心：**切勿在工具与工件接触的情况下接通工具电源，这样会导致操作者受伤。

**小心：**操作时请务必佩戴护目镜或口罩。

**小心：**操作完毕后，请务必关闭工具，等到砂轮完全停止转动后再把工具放下。

**小心：**请务必用一只手握持工具外壳，另一只手握持侧把手（手柄）上将工具握紧。

**注：**两用轮可用于磨削和切割操作。

磨削操作请参考“使用轮/轮片进行操作”，切割操作请参考“切割砂轮/金刚石砂轮的操作”。

## 使用轮/轮片进行操作

### ► 图片27

打开工具开关，然后使用砂轮或砂轮片加工工件。

通常，砂轮或圆盘边缘应保持与工件表面成 $15^\circ$ 角度。

在新砂轮的磨合期，不要沿正向操作砂轮，否则砂轮会切入工件内。当砂轮边缘经过使用被磨圆后，即可按正向或反向任意操作砂轮。

## 切割砂轮/金刚石砂轮的操作

### 选购附件

**警告：**请勿“挤压”砂轮或对其过度施压。请勿试图切割过深。对砂轮过度施压会使负载增加，使砂轮在切割时易于扭曲或卡滞，也使发生反弹或砂轮破损的可能性增大，可能会导致砂轮破损和电机过热。

**警告：**请勿在工件中启动切割操作。请让砂轮达到全速时再小心地将其插入切割工件的表面。如果电动工具在工件中启动，则砂轮可能会卡滞、移动或反弹。

**警告：**在切割操作时，切勿改变砂轮的角度。对切割砂轮施以侧压（磨削操作中）将导致砂轮裂开和破损，从而导致严重的人身伤害。

**警告：**操作时，金刚石砂轮应与被切割材料相垂直。

应用示例：使用切割砂轮进行操作

### ► 图片28

应用示例：使用金刚石砂轮进行操作

► 图片29

## 杯形钢丝刷的操作

选购附件

**⚠小心：** 确保无人在钢丝刷前面或与其成直线站立时，在工具无负载的情况下运行工具来检查钢丝刷。

应用示例：使用杯形钢丝刷进行操作

► 图片30

**注意：** 避免施加过大的压力，否则会在钢丝刷的使用过程中导致钢丝弯折。从而造成过早破裂。

## 钢丝轮刷的操作

选购附件

**⚠小心：** 确保在钢丝轮刷前面无人或与其成直线站立时，在工具无负载情况下运行工具来检查钢丝轮刷。

应用示例：使用钢丝轮刷进行操作

► 图片31

**注意：** 避免施加过大的压力，否则会在钢丝轮刷的使用过程中导致钢丝弯折。从而造成过早破裂。

## 使用孔切刀进行操作

选购附件

**⚠小心：** 在无负载的情况下运行工具来检查孔切刀，确保操作时无人站立在孔切刀前面。

**注意：** 操作时请勿倾斜工具。否则可能会导致过早破裂。

应用示例：使用孔切刀进行操作

► 图片32

## 保养

**⚠小心：** 检查或保养工具之前，请务必关闭工具电源开关并拔下插头。

**注意：** 切勿使用汽油、苯、稀释剂、酒精或类似物品清洁工具。否则可能会导致工具变色、变形或出现裂缝。

为了保证产品的安全与可靠性，维修、任何其他维修保养或调节需由Makita（牧田）授权的或工厂维修服务中心完成。务必使用Makita（牧田）的替换部件。

## 通风孔清洁

工具及其通风孔应保持清洁。定期清洁通风口或在通风口开始被堵塞时进行清洁。

► 图片33: 1. 排气孔 2. 进气孔

## 应用和附件组合

选购附件

**⚠小心：** 将工具与不正确的保护罩搭配使用可能造成以下风险。

- 在表面磨削中使用切割砂轮罩时，砂轮罩可能会干扰工件，导致控制不良。
- 在固结砂轮和金刚石砂轮的切割操作中使用磨削砂轮罩时，会增加暴露于旋转轮、散发火花和颗粒以及出现轮爆裂时暴露于轮碎片的风险。
- 在碗形金刚石砂轮的表面加工中使用切割砂轮罩或磨削砂轮罩时，砂轮罩可能会干扰工件，导致控制不良。
- 将切割砂轮罩或磨削砂轮罩与厚度大于“规格”中指定的最大厚度的钢丝轮刷一起使用时，钢丝可能钩在保护罩上，导致钢丝断裂。
- 在混凝土或石材切割和表面加工中使用集尘式砂轮罩，可以降低暴露于灰尘的风险。
- 使用安装了两用（磨削和切割研磨组合）法兰的轮时，仅使用切割砂轮罩。

► 图片34

仅限GA4593/GA4594/GA5093/GA5094型号

-	应用	115 mm型号	125 mm型号
1	-	侧把手	
2	-	砂轮罩（砂轮用）	
3	-	内法兰	
4	磨削 / 砂磨	钹形砂轮 / 千叶片	
5	-	锁紧螺母	
6	-	Ezynut *1*2	
7	-	支撑垫	
8	磨削 / 砂磨	弹性砂轮片	
9	-	橡胶垫100	橡胶垫115
10	砂磨	砂轮片	
11	-	砂磨用锁紧螺母	
12	钢丝刷清理	钢丝轮刷	
13	钢丝刷清理	杯形钢丝刷	
14	切孔	孔切刀	
15	-	砂轮罩（切割砂轮用）	
16	切割	切割砂轮 / 金刚石砂轮	
17	磨削 / 切割	两用轮	
18	-	夹式切割用砂轮罩附加装置*3	
19	-	用于切割的集尘式砂轮罩	
20	切割	金刚石砂轮	
21	-	用于磨削的集尘式砂轮罩	
22	磨削	碗形金刚石砂轮	
-	-	锁紧螺母扳手	
-	-	防尘盖板装置	

仅限GA4595/GA5095型号

-	应用	115 mm型号	125 mm型号
1	-	侧把手	
2	-	砂轮罩（砂轮用）	
3	-	内法兰 / 表面法兰*1*2	
4	磨削 / 砂磨	钹形砂轮 / 千叶片	
5	-	锁紧螺母	
6	-	Ezynut *1*2	
7	-	支撑垫	
8	磨削 / 砂磨	弹性砂轮片	
9	-	橡胶垫100	橡胶垫115
10	砂磨	砂轮片	
11	-	砂磨用锁紧螺母	
12	钢丝刷清理	钢丝轮刷	



-	应用	115 mm型号	125 mm型号
13	钢丝刷清理	杯形钢丝刷	
14	切孔	孔切刀	
15	-	砂轮罩（切割砂轮用）	
16	切割	切割砂轮 / 金刚石砂轮	
17	磨削 / 切割	两用轮	
18	-	夹式切割用砂轮罩附加装置*3	
19	-	用于切割的集尘式砂轮罩	
20	切割	金刚石砂轮	
21	-	用于磨削的集尘式砂轮罩	
22	磨削	碗形金刚石砂轮	
-	-	锁紧螺母扳手	
-	-	防尘盖板装置	

注：\*1 请勿将表面法兰和便用螺母（Ezynut）一起使用。

注：\*2 仅用于带M14主轴螺纹的工具。

注：\*3 部分国家可能不提供夹式切割用砂轮罩附加装置。更多详情请参考夹式切割用砂轮罩附加装置的使用说明书。

注：请勿将表面法兰和配备制动功能的磨光机一起使用。

## 选购附件

**⚠小心：** 这些附件或装置专用于本说明书所列的**Makita（牧田）工具**。如使用其他厂牌附件或装置，可能导致人身伤害。仅可将附件或装置用于规定目的。

如您需要了解更多关于这些选购附件的信息，请咨询当地的**Makita（牧田）**维修服务中心。

- “应用和附件组合”中所列的附件

**注：** 本列表中的一些部件可能作为标准配件包含于工具包装内。它们可能因销往国家之不同而异。

## SPEKIFIKASI

Model:		GA4593	GA4594	GA4595	GA5093	GA5094	GA5095
Roda gerinda yang berlaku	Diameter roda maks.	115 mm			125 mm		
	Ketebalan roda maks.	7,2 mm					
Roda pemotong yang berlaku	Diameter roda maks.	115 mm			125 mm		
	Ketebalan roda maks.	3,2 mm					
Sikat roda kawat yang berlaku	Diameter roda maks.	115 mm			125 mm		
	Ketebalan roda maks.	20 mm					
Ulir spindel		M14 atau 5/8" (negara tertentu)					
Panjang spindel maks.		23 mm					
Kecepatan tanpa beban ( $n_0$ ) / Kecepatan terukur (n)		11.500 min <sup>-1</sup>					
Panjang keseluruhan		349 mm	326 mm	349 mm	349 mm	326 mm	326 mm
Berat bersih		2,8 - 4,0 kg	2,6 - 3,8 kg	2,9 - 4,0 kg	2,9 - 4,0 kg	2,7 - 3,8 kg	2,7 - 3,8 kg
Kelas keamanan		□/II					

- Karena kesinambungan program penelitian dan pengembangan kami, spesifikasi yang disebutkan di sini dapat berubah tanpa pemberitahuan.
- Spesifikasi dapat berbeda dari satu negara ke negara lainnya.
- Berat alat mungkin berbeda tergantung perangkat tambahan yang dipasang. Kombinasi alat terberat dan teringan, sesuai Prosedur EPTA 01/2014, ditunjukkan pada tabel.

## Simbol

Berikut ini adalah simbol-simbol yang dapat digunakan pada peralatan ini. Pastikan Anda memahami arti masing-masing simbol sebelum menggunakan peralatan.



Baca petunjuk penggunaan.



Gunakan kaca mata pengaman.



Selalu operasikan dengan dua tangan.



Jangan gunakan pelindung roda untuk operasi pemotongan.



ISOLASI GANDA



Hanya untuk negara-negara UE  
Akibat adanya komponen berbahaya dalam peralatan, peralatan listrik dan elektronik bekas dapat memiliki dampak negatif pada lingkungan dan kesehatan manusia.

Jangan buang peralatan listrik dan elektronik bersama limbah rumah tangga! Sesuai dengan Petunjuk Eropa tentang limbah peralatan listrik dan elektronik dan penyesuaian dengan undang-undang nasional, peralatan listrik dan elektronik bekas harus dikumpulkan secara terpisah dan dikirim ke tempat pengumpulan terpisah untuk limbah kota, beroperasi sesuai dengan peraturan perlindungan lingkungan.

Hal ini ditunjukkan dengan simbol tempat sampah bersilang yang ditempatkan pada peralatan.

## Penggunaan

Mesin ini dirancang untuk menggerinda, mengampelas, menyikat dengan kawat, pemotongan lubang, dan memotong logam dan material batuan tanpa menggunakan air.

## Pasokan daya

Mesin harus terhubung dengan pasokan daya listrik yang bervoltase sama dengan yang tertera pada pelat nama, dan hanya dapat dijalankan dengan listrik AC fase tunggal. Mesin diisolasi ganda dan oleh sebab itu dapat dihubungkan dengan soket tanpa kabel.

# PERINGATAN KESELAMATAN

## Peringatan keselamatan umum mesin listrik

**⚠️ PERINGATAN:** Bacalah semua peringatan keselamatan, petunjuk, ilustrasi dan spesifikasi yang disertakan bersama mesin listrik ini. Kelalaian untuk mematuhi semua petunjuk yang tercantum di bawah ini dapat menyebabkan sengatan listrik, kebakaran dan/atau cedera serius.

## Simpanlah semua peringatan dan petunjuk untuk acuan di masa depan.

Istilah "mesin listrik" dalam semua peringatan mengacu pada mesin listrik yang dijalankan dengan sumber listrik jala-jala (berkabel) atau baterai (tanpa kabel).

### Keselamatan tempat kerja

1. **Jaga tempat kerja selalu bersih dan berpenerangan cukup.** Tempat kerja yang berantakan dan gelap mengundang kecelakaan.
2. **Jangan gunakan mesin listrik dalam lingkungan yang mudah meledak, misalnya jika ada cairan, gas, atau debu yang mudah menyala.** Mesin listrik menimbulkan bunga api yang dapat menyalakan debu atau uap tersebut.
3. **Jauhkan anak-anak dan orang lain saat menggunakan mesin listrik.** Bila perhatian terpecah, anda dapat kehilangan kendali.

### Keamanan Kelistrikan

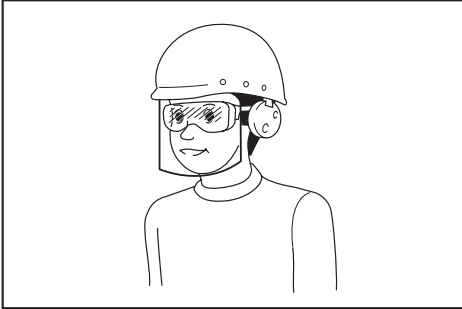
1. **Steker mesin listrik harus cocok dengan stopkontak. Jangan sekali-kali mengubah steker dengan cara apa pun. Jangan menggunakan steker adaptor dengan mesin listrik terbumi (dibumikan).** Steker yang tidak diubah dan stopkontak yang cocok akan mengurangi risiko sengatan listrik.
2. **Hindari sentuhan tubuh dengan permukaan terbumi atau yang dibumikan seperti pipa, radiator, kompor, dan kulkas.** Risiko sengatan listrik bertambah jika tubuh Anda terbumikan atau dibumikan.
3. **Jangan membiarkan mesin listrik kehujanan atau kebasahan.** Air yang masuk ke dalam mesin listrik akan meningkatkan risiko sengatan listrik.
4. **Jangan menyalahtgunakan kabel. Jangan sekali-kali menggunakan kabel untuk membawa, menarik, atau mencabut mesin listrik dari stopkontak. Jauhkan kabel dari panas, minyak, tepian tajam, atau bagian yang bergerak.** Kabel yang rusak atau kusut memperbesar risiko sengatan listrik.
5. **Bila menggunakan mesin listrik di luar ruangan, gunakan kabel ekstensi yang sesuai untuk penggunaan di luar ruangan.** Penggunaan kabel yang sesuai untuk penggunaan luar ruangan mengurangi risiko sengatan listrik.

6. **Jika mengoperasikan mesin listrik di lokasi lembap tidak terhindarkan, gunakan pasokan daya yang dilindungi peranti imbasan arus (residual current device - RCD).** Penggunaan RCD mengurangi risiko sengatan listrik.
7. **Penggunaan pasokan daya melalui RCD dengan kapasitas arus sisa 30 mA atau kurang selalu dianjurkan.**
8. **Mesin listrik dapat menghasilkan medan magnet (EMF) yang tidak berbahaya bagi pengguna.** Namun, pengguna alat pacu jantung atau peralatan medis sejenisnya harus berkonsultasi dengan produsen peralatan tersebut dan/atau dokter mereka sebelum mengoperasikan mesin listrik ini.
9. **Jangan menyentuh colokan daya dengan tangan basah.**
10. **Jika kabel rusak, penggantian harus dilakukan oleh produsen atau agennya untuk menghindari bahaya keselamatan.**

### Keselamatan Diri

1. **Jaga kewaspadaan, perhatikan pekerjaan Anda dan gunakan akal sehat bila menggunakan mesin listrik. Jangan menggunakan mesin listrik saat Anda lelah atau di bawah pengaruh obat bius, alkohol, atau obat.** Sekejap saja lalai saat menggunakan mesin listrik dapat menyebabkan cedera badan serius.
2. **Gunakan alat pelindung diri. Selalu gunakan pelindung mata.** Peralatan pelindung seperti masker debu, sepatu pengaman anti-selip, helm pengaman, atau pelindung telinga yang digunakan untuk kondisi yang sesuai akan mengurangi risiko cedera badan.
3. **Cegah penyalaaan yang tidak disengaja. Pastikan bahwa sakelar berada dalam posisi mati (off) sebelum menghubungkan mesin ke sumber daya dan/atau paket baterai, atau mengangkat atau membawanya.** Membawa mesin listrik dengan jari Anda pada sakelarnya atau mengalirkan listrik pada mesin listrik yang sakelarnya hidup (on) akan mengundang kecelakaan.
4. **Lepaskan kunci-kunci penyetel sebelum menghidupkan mesin listrik.** Kunci-kunci yang masih terpasang pada bagian mesin listrik yang berputar dapat menyebabkan cedera.
5. **Jangan meraih terlalu jauh. Jagalah pijakan dan keseimbangan sepanjang waktu.** Hal ini memungkinkan kendali yang lebih baik atas mesin listrik dalam situasi yang tidak diharapkan.
6. **Kenakan pakaian yang memadai. Jangan memakai pakaian yang longgar atau perhiasan. Jaga jarak antara rambut dan pakaian Anda dengan komponen mesin yang bergerak.** Pakaian yang longgar, perhiasan, atau rambut yang panjang dapat tersangkut pada komponen yang bergerak.
7. **Jika tersedia fasilitas untuk menghisap dan mengumpulkan debu, pastikan fasilitas tersebut terhubung listrik dan digunakan dengan baik.** Penggunaan pembersih debu dapat mengurangi bahaya yang terkait dengan debu.

8. **Jangan sampai Anda lengah dan mengabaikan prinsip keselamatan mesin ini hanya karena sudah sering mengoperasikannya dan sudah merasa terbiasa.** Tindakan yang lalai dapat menyebabkan cedera berat dalam sepersekian detik saja.
9. **Selalu kenakan kacamata pelindung untuk melindungi mata dari cedera saat menggunakan mesin listrik.** Kacamata harus sesuai dengan ANSI Z87.1 di Amerika Serikat, EN 166 di Eropa, atau AS/NZS 1336 di Australia/Selandia Baru. Di Australia/Selandia Baru, secara hukum Anda juga diwajibkan mengenakan pelindung wajah untuk melindungi wajah Anda.



**Menjadi tanggung jawab atas untuk menerapkan penggunaan alat pelindung keselamatan yang tepat bagi operator mesin dan orang lain yang berada di area kerja saat itu.**

#### **Penggunaan dan pemeliharaan mesin listrik**

1. **Jangan memaksa mesin listrik. Gunakan mesin listrik yang tepat untuk keperluan Anda.** Mesin listrik yang tepat akan menuntaskan pekerjaan dengan lebih baik dan aman pada kecepatan sesuai rancangannya.
2. **Jangan gunakan mesin listrik jika sakelar tidak dapat menyalakan dan mematikannya.** Mesin listrik yang tidak dapat dikendalikan dengan sakelarnya adalah berbahaya dan harus diperbaiki.
3. **Cabut steker dari sumber listrik dan/atau lepas paket baterai, jika dapat dilepas, dari mesin listrik sebelum melakukan penyetelan apa pun, mengganti aksesoris, atau menyimpan mesin listrik.** Langkah keselamatan preventif tersebut mengurangi risiko hidupnya mesin secara tak sengaja.
4. **Simpan mesin listrik jauh dari jangkauan anak-anak dan jangan biarkan orang yang tidak paham mengenai mesin listrik tersebut atau petunjuk ini menggunakan mesin listrik.** Mesin listrik sangat berbahaya di tangan pengguna yang tak terlatih.

5. **Rawatlah mesin listrik dan aksesoris. Periksa apakah ada komponen bergerak yang tidak lurus atau macet, komponen yang pecah, dan kondisi-kondisi lain yang dapat memengaruhi pengoperasian mesin listrik. Jika rusak, perbaiki dahulu mesin listrik sebelum digunakan.** Banyak kecelakaan disebabkan oleh kurangnya pemeliharaan mesin listrik.
6. **Jaga agar mesin pemotong tetap tajam dan bersih.** Mesin pemotong yang terawat baik dengan mata pemotong yang tajam tidak mudah macet dan lebih mudah dikendalikan.
7. **Gunakan mesin listrik, aksesoris, dan mata mesin, dll. sesuai dengan petunjuk ini, dengan memperhitungkan kondisi kerja dan jenis pekerjaan yang dilakukan.** Penggunaan mesin listrik untuk penggunaan yang lain dari peruntukan dapat menimbulkan situasi berbahaya.
8. **Jagalah agar gagang dan permukaan pegangan tetap kering, bersih, dan bebas dari minyak dan pelumas.** Gagang dan permukaan pegangan yang licin tidak mendukung keamanan penanganan dan pengendalian mesin dalam situasi-situasi tak terduga.
9. **Ketika menggunakan mesin, jangan menggunakan sarung tangan kain yang dapat tersangkut.** Sarung tangan kain yang tersangkut pada komponen bergerak dapat mengakibatkan cedera pada pengguna.

#### **Servis**

1. **Berikan mesin listrik untuk diperbaiki hanya kepada oleh teknisi yang berkualifikasi dengan menggunakan hanya suku cadang pengganti yang serupa.** Hal ini akan menjamin terjaganya keamanan mesin listrik.
2. **Patuhi petunjuk pelumasan dan penggantian aksesoris.**

### **Peringatan keselamatan gerinda**

**Peringatan keselamatan yang umum untuk penggerindaan, pengampelasan, penyikatan dengan sikat kawat atau pengoperasian pemotongan:**

1. **Mesin listrik ini dirancang untuk berfungsi sebagai gerinda, pengampelas, sikat kawat, pemotong lubang, atau mesin pemotong.** Bacalah semua peringatan keselamatan, petunjuk, ilustrasi dan spesifikasi yang disertakan bersama mesin listrik ini. Kelalaian untuk mematuhi semua petunjuk yang tercantum di bawah ini dapat menyebabkan sengatan listrik, kebakaran dan/atau cedera serius.
2. **Tidak diperbolehkan menggunakan mesin listrik ini untuk melakukan pekerjaan seperti memoles.** Pekerjaan yang tidak sesuai dengan spesifikasi mesin listrik ini dapat menimbulkan bahaya dan menyebabkan cedera pada pengguna.
3. **Jangan mengubah mesin listrik ini untuk beroperasi dengan cara yang tidak dirancang dan ditentukan secara khusus oleh produsen mesin.** Konversi tersebut dapat mengakibatkan hilangnya kendali dan menyebabkan cedera pribadi yang serius.

4. **Jangan gunakan aksesoris yang tidak dirancang secara khusus dan ditetapkan oleh produsen mesin.** Hanya karena aksesoris tersebut dapat dipasang pada mesin listrik Anda, bukan berarti dapat menjamin keselamatan dalam pengoperasian.
5. **Kecepatan terukur pada aksesoris setidaknya harus sama dengan kecepatan maksimum yang tertera pada mesin listrik.** Aksesoris yang bekerja lebih cepat dari kecepatan terukurnya dapat pecah dan terlontar.
6. **Diameter luar dan ketebalan aksesoris Anda harus berada dalam nilai kapasitas mesin listrik Anda.** Aksesoris dengan ukuran yang tidak tepat tidak dapat dilindungi atau dikendalikan secara memadai.
7. **Dimensi pemasangan aksesoris harus sesuai dengan dimensi perangkat keras pemasangan mesin listrik.** Aksesoris yang tidak sesuai dengan perangkat keras pemasangan mesin listrik akan bekerja secara tidak seimbang, bergetar berlebihan dan dapat menyebabkan hilangnya kendali.
8. **Jangan menggunakan aksesoris yang sudah rusak.** Setiap kali sebelum digunakan, periksa apakah ada patahan dan retakan pada roda abrasif, apakah ada retakan, sobekan atau keausan pada bantalan belakang, serta apakah ada kawat yang longgar atau patah pada sikat kawat. Jika mesin listrik atau aksesoris jatuh, periksa apakah terjadi kerusakan, atau pasang aksesoris yang tidak rusak. Setelah memeriksa dan memasang aksesoris, jauhkan posisi Anda dan orang di sekitar dari bidang aksesoris yang berputar dan jalankan mesin listrik pada kecepatan maksimum tanpa beban selama satu menit. Aksesoris yang rusak umumnya akan pecah selama waktu pengujian ini.
9. **Kenakan alat pelindung diri.** Tergantung pekerjaannya, gunakan pelindung muka, kaca mata pelindung atau kacamata pelindung. Sesuai dengan pekerjaannya, kenakan masker debu, pelindung telinga, sarung tangan, dan apron bengkak yang mampu menahan debu gerinda atau serpihan benda kerja. Pelindung mata harus mampu menahan debu yang berhamburan yang ditimbulkan dari berbagai jenis aplikasi. Masker debu atau alat pernapasan harus mampu menyaring partikel yang dihasilkan dari aplikasi tertentu. Paparan berkepanjangan terhadap kebisingan berintensitas tinggi dapat menyebabkan hilangnya pendengaran.
10. **Jaga agar orang di sekitar berada dalam jarak aman yang jauh dari area kerja.** Siapa pun yang masuk ke area kerja harus mengenakan perlengkapan pelindung diri. Potongan benda kerja atau dari aksesoris yang rusak mungkin saja terlempar dan menyebabkan cedera di area yang langsung berdekatan dengan pekerjaan.
11. **Saat melakukan pekerjaan yang memiliki kemungkinan mesin pemotong bersentuhan dengan kawat tersembunyi atau kabelnya sendiri, pegang mesin listrik hanya pada permukaan genggam yang terisolasi.** Aksesoris pemotong yang menyentuh kawat yang "teraliri arus listrik" dapat menyebabkan bagian logam pada mesin "teraliri arus listrik" dan menyengat pengguna.
12. **Posisikan kabel agar tidak terkena aksesoris yang berputar.** Jika Anda kehilangan kendali, kabel mungkin saja terpotong atau tersangkut dan tangan atau lengan Anda mungkin saja tertarik oleh aksesoris yang berputar.
13. **Jangan sekali-kali meletakkan mesin listrik sebelum aksesorinya benar-benar berhenti.** Aksesoris yang berputar dapat menyambar permukaan dan menarik mesin listrik di luar kendali Anda.
14. **Jangan menyalakan mesin listrik sambil membawanya di sisi badan Anda.** Sentuhan yang tidak disengaja oleh aksesoris yang berputar dapat merobek pakaian Anda, yang akan menarik aksesoris ke arah badan Anda.
15. **Bersihkan ventilasi udara mesin listrik secara rutin.** Kipas motor akan menarik debu ke dalam rumahannya, dan serbuk logam yang terkumpul secara berlebihan dapat menyebabkan bahaya listrik.
16. **Jangan mengoperasikan mesin listrik di dekat benda-benda yang mudah terbakar.** Percikan apinya dapat menyulut benda-benda tersebut.
17. **Jangan menggunakan aksesoris yang membutuhkan cairan pendingin.** Menggunakan air atau cairan pendingin lain dapat mengakibatkan kematian akibat sengatan listrik.

**Hentikan balik dan peringatan yang berkaitan:**

Hentikan balik merupakan reaksi tiba-tiba akibat terjepit atau tersangkutnya roda yang berputar, bantalan belakang, sikat atau aksesoris lainnya. Kondisi terjepit atau tersangkut akan menyebabkan aksesoris yang berputar akan berhenti dengan cepat yang kemudian berubah mengakibatkan terdorongnya mesin listrik yang tak terkendali ke arah yang berlawanan dengan putaran aksesoris di titik tempat aksesoris tersebut terjepit. Sebagai contoh, jika roda abrasif tersangkut atau terjepit oleh benda kerja, tepi roda yang masuk ke titik tempat roda tersebut terjepit bisa menggali permukaan bahan, yang menyebabkan roda tersebut menanjak atau menghentak. Roda mungkin saja melompat ke arah atau menjauhi operator, tergantung arah gerakan roda di titik tempat roda tersebut terjepit. Roda ampelas juga mungkin saja pecah karena kondisi tersebut.

Hentakan balik merupakan akibat dari kesalahan cara penggunaan mesin listrik dan/atau prosedur atau kondisi pengoperasian yang salah, dan dapat dihindari dengan melakukan tindakan kewaspadaan yang tepat sebagaimana diuraikan di bawah ini.

1. **Pertahankan genggaman yang kuat dengan kedua tangan pada mesin listrik serta posisi badan dan lengan Anda sehingga Anda dapat menahan gaya hentakan balik. Selalu gunakan pegangan tambahan, bila tersedia, untuk mengendalikan hentakan balik atau reaksi torsi secara maksimum selama mesin mulai dihidupkan.** Jika tindakan kewaspadaan yang tepat dilakukan, operator dapat mengendalikan reaksi torsi atau gaya hentakan balik.
2. **Jangan sekali-kali memosisikan tangan Anda di dekat aksesoris yang berputar.** Aksesoris mungkin saja mengentak balik ke arah tangan Anda.
3. **Jangan memosisikan badan Anda di area tempat mesin listrik akan bergerak bila terjadi hentakan balik.** Hentakan balik akan memutar mesin dalam arah yang berlawanan dengan gerakan roda di titik tempat roda tersebut tersangkut.
4. **Sangat berhati-hatilah saat bekerja di area sudut, tepi yang tajam, dsb. Jaga agar aksesoris tidak memantul atau tersangkut.** Area sudut, tepi yang tajam, atau pantulan cenderung menyebabkan aksesoris yang berputar tersangkut dan menyebabkan kehilangan kendali atau timbulnya hentakan balik.
5. **Jangan pasang mata rantai gergaji, roda intan bergesmen dengan jarak periferil lebih dari 10 mm atau mata gergaji bergerigi.** Mata pisau seperti ini menghasilkan hentakan balik berkali-kali dan menyebabkan hilangnya kendali.

#### **Peringatan keselamatan khusus untuk operasi penggerindaan dan pemotongan:**

1. **Gunakan hanya tipe roda yang ditentukan untuk mesin listrik Anda dan pelindung khusus yang dirancang untuk roda yang Anda pilih.** Roda yang tidak sesuai dengan spesifikasi mesin listrik ini tidak dapat terlindungi secara memadai, dan karenanya tidak aman.
2. **Permukaan untuk penggerindaan pada roda tengah gerinda harus dipasang di bawah bidang pada tepi pelindung.** Roda yang tidak dipasang dengan benar sehingga menonjol pada bidang tepi pelindung tidak dapat benar-benar terlindungi.
3. **Pelindung harus terpasang dengan kencang pada mesin listrik dan diposisikan untuk pengamanan maksimal, sehingga bagian roda yang menghadap ke operator menjadi minimal.** Pelindung tersebut ikut melindungi operator dari potongan patahan roda, gesekan dengan roda dan percikan api yang dapat membakar pakaian.

4. **Roda harus digunakan hanya untuk penggunaan yang ditetapkan. Misalnya: jangan menggerinda dengan bagian samping roda pemotong.** Roda pemotong abrasif ditujukan untuk pekerjaan penggerindaan sisi luar; jika roda dikenai tenaga dari samping, roda ini mungkin saja pecah.
5. **Selalu gunakan flensa roda yang tidak rusak dengan ukuran dan bentuk yang tepat sesuai dengan roda yang Anda pilih.** Flensa roda yang tepat akan menopang roda sehingga mengurangi kemungkinan pecahnya roda. Flensa untuk roda pemotongan mungkin saja berbeda dengan flensa roda gerinda.
6. **Jangan gunakan roda dengan kinerja yang sudah rendah dari mesin listrik yang lebih besar.** Roda yang dirancang untuk mesin listrik yang lebih besar tidak cocok untuk digunakan pada alat yang lebih kecil dengan kecepatan yang lebih tinggi dan mungkin saja akan rusak.
7. **Saat menggunakan roda tujuan ganda selalu gunakan pelindung yang benar untuk aplikasi yang sedang dilakukan.** Kegagalan dalam menggunakan pelindung yang benar mungkin tidak memberikan tingkat perlindungan yang diinginkan, yang dapat menyebabkan cedera serius.

#### **Peringatan keselamatan tambahan khusus untuk operasi pemotongan:**

1. **Jangan membuat roda pemotong “macet” atau menekannya secara berlebihan. Jangan mencoba memotong terlalu dalam.** Memberikan tekanan berlebihan pada roda akan meningkatkan beban, menyebabkan roda mudah bengkok atau terjepit pada potongan, serta meningkatkan kemungkinan terjadi hentakan balik atau roda pecah.
2. **Jangan menempatkan diri Anda sejajar dan di belakang roda yang berputar.** Pada titik pengerjaan, saat roda bergerak menjauh dari Anda, hentakan balik dapat menggerakkan roda yang berputar dan mesin listrik ke arah Anda secara langsung.
3. **Saat roda macet atau saat menghentikan pemotongan karena alasan apa pun, matikan mesin listrik dan tahan dalam posisi diam hingga roda benar-benar berhenti. Jangan pernah mencoba melepas roda pemotong dari pekerjaan pemotongan saat roda bergerak, jika tidak, akan terjadi hentakan balik.** Periksa dan ambil tindakan perbaikan yang tepat untuk mengatasi penyebab macetnya roda.
4. **Jangan ulangi pemotongan pada benda kerja. Biarkan roda mencapai kecepatan penuh dan masukkan kembali dengan hati-hati pada potongan.** Roda mungkin saja macet, bergerak ke atas atau terjadi hentakan balik jika mesin listrik dinyalakan ulang saat masih berada pada benda kerja.
5. **Tahan panel atau benda kerja berukuran besar untuk meminimalkan risiko roda terjepit dan terjadi hentakan balik.** Benda kerja besar cenderung melengkung karena beratnya. Penunjang harus diletakkan di bawah benda kerja dekat garis pemotongan dan dekat ujung benda kerja pada kedua sisi roda.

6. **Berhati-hatilah saat melakukan “pemotongan saku” pada dinding atau area buta lain.** Roda yang mencuat dapat memotong pipa gas atau air, kabel listrik, atau objek lain yang dapat menyebabkan hentakan balik.
7. **Jangan mencoba melakukan pemotongan melengkung.** Memberikan tekanan berlebihan pada roda akan meningkatkan beban, menyebabkan roda mudah bengkok atau terjepit pada potongan, serta meningkatkan kemungkinan terjadi hentakan balik atau roda pecah yang dapat menyebabkan cedera serius.
8. **Sebelum menggunakan roda antar bersegmen, pastikan roda inte memiliki jarak periferif antar segmen sebesar 10 mm atau kurang, hanya dengan sudut geram negatif.**
7. **Jangan tinggalkan mesin dalam keadaan hidup.** Jalankan mesin hanya ketika digenggam dengan tangan.
8. **Jangan menyentuh benda kerja segera setelah pengoperasian;** suhunya mungkin masih sangat panas dan dapat membakar kulit Anda.
9. **Jangan menyentuh aksesoris segera setelah penggunaan;** suhunya mungkin masih sangat panas dan dapat membakar kulit Anda.
10. **Patuhi petunjuk produsen mengenai cara memasang dan menggunakan roda yang benar.** Rawat dan simpan roda dengan cermat.
11. **Jangan menggunakan bos atau adaptor pengurang yang terpisah untuk menyesuaikan roda dengan lubang abrasif berukuran besar.**
12. **Gunakan hanya flensa yang ditentukan untuk mesin ini.**
13. **Untuk mesin yang memang dirancang untuk roda lubang berulir, pastikan bahwa ulir dalam roda cukup panjang untuk menampung panjang spindel.**
14. **Periksa apakah benda kerja telah ditopang dengan baik.**
15. **Perhatikan bahwa roda terus berputar setelah mesin dimatikan.**
16. **Jika tempat kerja sangat panas dan lembap, sangat kotor oleh debu konduktif, gunakan pemutus daya (30 mA) untuk menjamin keselamatan operator.**
17. **Jangan menggunakan mesin pada bahan yang mengandung asbestos.**
18. **Roda pemotongan hendaknya selalu digunakan dengan pelindung roda pengumpul debu jika disyaratkan oleh undang-undang setempat.**
19. **Cakram pemotongan harus disesuaikan dengan tekanan lateral.**
20. **Jangan gunakan sarung tangan kerja kain selama pengoperasian.** Serat dari sarung tangan kain dapat masuk ke mesin dan mengakibatkan kerusakan.
21. **Sebelum penggunaan, pastikan tidak ada benda yang terkubur seperti pipa listrik, pipa air, atau pipa gas di benda kerja.** Jika tidak, dapat menyebabkan sengatan listrik, kebocoran listrik, atau kebocoran gas.
22. **Jika bloter terpasang pada roda, jangan dilepaskan.** Diameter bloter harus lebih besar dari mur kunci, flensa luar, dan flensa dalam.
23. **Sebelum memasang roda gerinda, selalu pastikan tidak ada keanehan seperti serpihan atau retakan pada bagian bloter.**
24. **Kencangkan mur kunci dengan benar.** Mengencangkan roda secara berlebihan dapat menyebabkan kerusakan dan pengencangan yang tidak memadai dapat menyebabkan debaran.

**Peringatan keselamatan khusus untuk pekerjaan pengampelasan:**

1. **Gunakan kertas cakram pengampelasan dengan ukuran yang tepat.** Ikuti rekomendasi pabrik saat memilih kertas ampelas. Kertas ampelas yang lebih besar yang memanjang terlalu jauh melebihi bantalan ampelas akan menimbulkan bahaya cedera dan bisa menyebabkan tersangkut, pecahnya cakram atau terjadinya hentakan balik.

**Peringatan keselamatan khusus untuk pengoperasian dengan sikat kawat:**

1. **Berhati-hatilah, jangan sampai serpihan kawat terlepas dari sikat bahkan pada pengoperasian standar.** Jangan terlalu keras menekan kawat dengan memberikan tekanan yang terlalu besar pada sikat. Serpihan kawat dapat dengan mudah menembus pakaian yang tipis dan/atau kulit.
2. **Jika penggunaan pelindung ditetapkan untuk penyikatan dengan kawat, jangan sampai roda kawat atau sikat mengganggu kerja pelindung.** Roda kawat atau sikat dapat bertambah diameternya bergantung pada beban kerja dan gaya sentrifugal.

**Peringatan Keselamatan Tambahan:**

1. **Saat menggunakan roda gerinda tengah, pastikan bahwa Anda hanya menggunakan roda dengan fiberglass.**
2. **JANGAN PERNAH GUNAKAN roda berjenis Stone Cup dengan gerinda ini.** Gerinda ini tidak dirancang untuk tipe roda semacam ini dan jika digunakan, hal ini dapat mengakibatkan cedera serius pada penggunaannya.
3. **Hati-hati jangan sampai merusak spindel, flensa (terutama permukaan pemasangan) atau mur kunci.** Kerusakan pada bagian ini dapat mengakibatkan rusaknya roda.
4. **Pastikan bahwa roda tidak menyentuh benda kerja sebelum sakelar dinyalakan.**
5. **Sebelum menggunakan mesin pada benda kerja yang sebenarnya, jalankan mesin sebentar.** Waspada! getaran atau goyangan yang dapat menunjukkan lemahnya pemasangan atau roda yang kurang seimbang.
6. **Gunakan permukaan roda yang sudah ditentukan untuk melakukan pengerindaan.**

## **SIMPAN PETUNJUK INI.**

**⚠️ PERINGATAN:** JANGAN biarkan kenyamanan atau terbiasanya Anda dengan produk (karena penggunaan berulang) mengurangi kepatuhan yang ketat terhadap aturan keselamatan untuk produk yang terkait. **PENYALAHGUNAAN** atau kelalaian mematuhi kaidah keselamatan yang tertera dalam petunjuk ini dapat menyebabkan cedera badan serius.

## DESKRIPSI FUNGSI

**⚠️ PERHATIAN:** Selalu pastikan bahwa mesin dalam keadaan mati dan steker tercabut sebelum menyetel atau memeriksa kerja mesin.

## Sistem perlindungan mesin

Mesin ini dilengkapi dengan sistem perlindungan mesin. Sistem ini menurunkan atau memutus daya ke motor secara otomatis untuk memperpanjang umur pemakaian mesin. Mesin akan menurunkan daya atau berhenti secara otomatis saat digunakan jika mesin berada dalam salah satu kondisi berikut ini:

### Perlindungan kelebihan beban

Bila mesin dijalankan dengan cara yang menyebabkannya menarik arus tinggi yang tidak normal, mesin akan menurunkan daya secara otomatis tanpa menunjukkan apa-apa. Dalam situasi ini, hilangkan penyebab kelebihan muatan sehingga kecepatan putaran dipulihkan.

### Perlindungan panas berlebih

#### Negara tertentu

Saat mesin terlalu panas, mesin akan berhenti secara otomatis dan lampu indikator akan berkedip merah. Dalam situasi ini, biarkan mesin hingga dingin. Anda dapat menyalakan mesin lagi setelah lampu berubah warna dari merah menjadi hijau.

## Lampu indikator

► **Gbr.1:** 1. Lampu indikator

Lampu indikator menyala berwarna hijau menyala ketika steker mesin dimasukkan. Jika lampu indikator berkedip merah, perlindungan panas berlebih, Teknologi penginderaan Umpam Balik Aktif, atau fungsi pencegahan penyalaan ulang yang tidak disengaja akan menghentikan pengoperasian. Dalam situasi ini, matikan mesin. Kemudian, nyalakan mesin untuk kembali melanjutkan pekerjaan. Jika lampu indikator menyala merah setelah mematikan mesin, kondisi mesin terlalu panas. Dalam situasi ini, dinginkan mesin dan tunggu hingga lampu indikator menyala hijau.

## Sakelar penyetel kecepatan

Hanya untuk model GA4593/GA5093

**⚠️ PERHATIAN:** Jika mesin dijalankan secara terus-menerus dengan kecepatan rendah dalam waktu yang lama, motor akan mengalami kelebihan beban dan menjadi panas.

**⚠️ PERHATIAN:** Sakelar penyetel kecepatan dapat diputar sampai maksimum angka 5 dan kembali ke 1. Jangan dipaksa melewati angka 5 atau 1, karena fungsi penyetelan kecepatan bisa tidak berfungsi lagi.

Kecepatan putaran bisa diubah dengan memutar sakelar penyetel kecepatan ke setelan angka yang tersedia mulai dari 1 sampai 5. Kecepatan lebih tinggi didapatkan saat sakelar diputar ke arah nomor 5. Dan kecepatan lebih rendah didapatkan saat sakelar diputar ke arah nomor 1. Silakan mengacu pada tabel di bawah ini untuk hubungan antara setelan angka pada tombol dan perkiraan kecepatan putaran.

Angka	Kecepatan terukur
1	2.800 min <sup>-1</sup> (/min)
2	4.500 min <sup>-1</sup> (/min)
3	6.500 min <sup>-1</sup> (/min)
4	8.000 min <sup>-1</sup> (/min)
5	11.500 min <sup>-1</sup> (/min)

► **Gbr.2:** 1. Sakelar penyetel kecepatan

## Kunci poros

**⚠️ PERINGATAN:** Jangan gerakkan kunci poros ketika spindel sedang bergerak. Hal tersebut dapat menyebabkan cedera serius dan kerusakan mesin.

Tekan kunci poros untuk mencegah berputarnya spindel saat memasang atau melepas aksesoris.

► **Gbr.3:** 1. Kunci poros

## Kerja sakelar

**⚠️ PERHATIAN:** Sebelum memasukkan steker, selalu periksa apakah tuas sakelar berfungsi dengan baik dan kembali ke posisi "OFF" saat dilepas.

**⚠️ PERHATIAN:** Untuk keselamatan Anda, mesin ini dilengkapi dengan tuas buka kunci untuk mencegah hidupnya mesin secara tidak disengaja. **JANGAN PERNAH** menggunakan mesin ketika menyala saat Anda hanya menarik tuas sakelarnya tanpa menarik tuas buka kunci. **Kembalikan mesin ke pusat layanan resmi kami untuk diperbaiki dengan benar SEBELUM menggunakannya lebih lanjut.**

**⚠️ PERHATIAN:** Jangan menarik dalam-dalam tuas sakelar tanpa menarik tuas buka kunci. Hal ini bisa merusak sakelar.

**⚠️ PERHATIAN:** **JANGAN PERNAH** melakban atau mengurangi kegunaan dan fungsi tuas buka kunci.



Untuk mencegah tuas sakelar tertarik dengan tidak sengaja, tersedia sebuah tuas buka kunci. Untuk menjalankan mesin, tarik tuas buka kunci ke arah operator dan kemudian tarik tuas saklarnya. Untuk menghentikan mesin, lepaskan tuas saklarnya.  
► **Gbr.4:** 1. Tuas buka kunci 2. Tuas sakelar

## Fungsi elektronik

### Teknologi penginderaan Umpan Balik Aktif

**PERHATIAN:** Tahan mesin kuat-kuat hingga putaran berhenti.

Mesin secara elektronik mendeteksi situasi di mana roda atau aksesoris mungkin berisiko macet. Dalam situasi ini, mesin secara otomatis mematikan daya untuk mencegah perputaran spindel lebih jauh (ini tidak mencegah hentakan).

Pada kondisi ini, lampu indikator akan berkedip merah dan menunjukkan Teknologi penginderaan Umpan Balik Aktif sedang berfungsi.

Untuk menyalakan ulang mesin, matikan mesin terlebih dahulu, hilangkan penyebab jatuh tiba-tiba dalam kecepatan putaran, kemudian nyalakan mesin.

### Fungsi pencegah penyalakan ulang secara tidak sengaja

Saat mencolokkan mesin saat sakelar berada pada posisi ON, mesin tidak akan menyalakan. Pada kondisi ini, lampu indikator berkedip dalam warna merah dan menunjukkan bahwa fungsi pencegah penyalakan ulang secara tidak sengaja sedang berfungsi.

Untuk menyalakan mesin, matikan sakelar dan nyalakan lagi.

### Kontrol kecepatan konstan

Memungkinkan untuk memperoleh pengerjaan akhir yang halus, karena kecepatan putaran dipertahankan agar konstan bahkan dalam kondisi di beri beban.

### Fitur awal pengerjaan lembut

Fitur awal pengerjaan lembut mengurangi reaksi permulaan.

## Rem mekanis

**Hanya untuk model GA4593/GA4594/GA5093/GA5094**

Rem mekanis diaktifkan setelah mesin dimatikan. Rem tidak berfungsi ketika suplai daya dimatikan dengan sakelar yang masih menyalakan.

## PERAKITAN

**PERHATIAN:** Pastikan bahwa mesin dalam keadaan mati dan steker tercabut sebelum melakukan pekerjaan apa pun pada mesin.

### Memasang gagang sisi (pegangan)

**PERHATIAN:** Selalu pastikan bahwa gagang sisi terpasang dengan kuat sebelum penggunaan.

Sekrup gagang sisi dengan kencang pada posisi mesin sebagaimana yang ditunjukkan pada gambar.

► **Gbr.5**

### Memasang atau melepas pelindung roda

**PERINGATAN:** Ketika menggunakan roda tengah gerinda, cakram flap, roda flex atau sikat roda kawat, pelindung roda harus cocok dengan mesin sehingga bagian sisi yang tertutup dari pelindung selalu mengarah pada operator.

**PERINGATAN:** Pastikan pelindung roda terkunci dengan aman oleh tuas kunci dengan salah satu lubangnya pada pelindung roda.

**PERINGATAN:** Ketika menggunakan pemotong abrasif / roda intan, jangan gunakan selain pelindung roda khusus yang dirancang untuk digunakan bersama roda pemotong.

### Untuk roda tengah pengasah, cakram flap, roda flex, sikat roda kawat / roda pemotong abrasif, roda intan

1. Sambil menekan tuas kunci, pasang pelindung roda dengan posisi tonjolan ada di atas ikatan pelindung roda yang sejajar dengan cekungan-cekungan pada kotak penahan.

► **Gbr.6:** 1. Tuas kunci 2. Takik 3. Tonjolan

2. Sembari mendorong tuas kunci ke arah A, tahan bagian B pelindung roda seperti yang ditunjukkan dalam gambar.

► **Gbr.7:** 1. Pelindung roda 2. Lubang

**CATATAN:** Dorong pelindung roda lurus ke bawah. Jika tidak, Anda tidak dapat mengencangkan pelindung roda.

3. Sembari mendorong tuas kunci ke arah A, putar pelindung roda ke arah C, lalu ubah sudut pelindung roda sesuai dengan pekerjaan sehingga operator terlindungi. Sejajarkan tuas kunci dengan salah satu lubang pada pelindung roda, lalu lepaskan tuas kunci untuk mengunci pelindung roda.

► **Gbr.8:** 1. Pelindung roda 2. Lubang

Untuk melepas pelindung roda, lakukan prosedur pemasangan dalam urutan terbalik.

## Peralatan tambahan pelindung roda pemotongan jepit

### Pilihan Aksesori

**CATATAN:** Untuk operasi pemotongan, peralatan tambahan pelindung roda pemotongan jepit dapat digunakan dengan pelindung roda (untuk roda gerinda).

Tidak tersedia di beberapa negara.

### ► Gbr.9

## Memasang atau melepaskan roda tengah gerinda atau cakram flap

### Pilihan Aksesori

**⚠PERINGATAN:** Ketika menggunakan roda tengah gerinda, atau cakram flap pelindung roda harus cocok dengan mesin sehingga bagian sisi yang tertutup dari pelindung selalu mengarah pada operator.

**⚠PERINGATAN:** Pastikan bahwa bagian pemasangan flensa dalam benar-benar cocok untuk diameter dalam pada roda tengah gerinda / cakram flap. Memasang flensa dalam di sisi yang salah dapat mengakibatkan getaran yang berbahaya.

Pasang flensa dalam pada spindel.

Pastikan agar bagian flensa dalam penyok cocok dengan bagian lurus pada bagian bawah spindel. Pasang roda tengah gerinda / cakram flap pada flensa dalam dan sekrup mur kunci ke dalam spindel.

► **Gbr.10:** 1. Mur kunci 2. Roda tengah pengasah 3. Flensa dalam 4. Bagian pemasangan

Untuk mengencangkan mur kunci, tekan kunci poros dengan kuat agar spindel tidak berputar, kemudian gunakan kunci pas baut pengunci dan kencangkan kuat-kuat searah jarum jam.

► **Gbr.11:** 1. Kunci pas baut pengunci 2. Kunci poros

Untuk melepas roda, lakukan prosedur pemasangan dalam urutan terbalik.

## Memasang atau melepas roda flex

### Pilihan Aksesori

**⚠PERINGATAN:** Selalu gunakan pelindung dengan penahan jika roda flex dipasang pada mesin. Roda dapat pecah selama penggunaan, dan pelindung membantu mengurangi risiko cedera pada pengguna.

► **Gbr.12:** 1. Mur kunci 2. Roda flex 3. Bantal penyangga di belakang 4. Flensa dalam

Ikuti petunjuk untuk roda tengah pengasah, juga gunakan bantalan belakang di atas roda.

## Memasang atau melepas cakram abrasif

### Pilihan Aksesori

► **Gbr.13:** 1. Mur kunci pengampelasan 2. Cakram abrasif 3. Bantalan karet

1. Pasang bantalan karet pada spindel.
2. Pasang cakram pada bantalan karet dan sekrup mur kunci pengampelasan pada spindel.
3. Tahan spindel dengan kunci poros lalu kencangkan mur kunci pengampelasan searah dengan jarum jam dengan kunci pas baut pengunci hingga aman.

Untuk melepas cakram, lakukan prosedur pemasangan dalam urutan terbalik.

**CATATAN:** Gunakan aksesori mesin ampelas yang ditentukan dalam panduan ini. Aksesori tersebut harus dibeli secara terpisah.

## Flensa super

### Pilihan Aksesori

**Hanya untuk model GA4595/GA5095**

Flensa super merupakan aksesori khusus untuk model yang TIDAK dilengkapi dengan fungsi rem.

Hanya 1/3 usaha yang dibutuhkan untuk membuka mur kunci jika dibandingkan dengan tipe konvensional.

## Memasang atau melepas Ezynut

### Pilihan Aksesori

**Hanya untuk mesin dengan ulir spindel M14.**

**⚠PERHATIAN:** Jangan gunakan Ezynut dengan Flensa Super. Flensa tersebut sangat tebal sehingga seluruh ulir tidak dapat ditahan oleh spindel.

Pasang flensa dalam, roda abrasif dan Ezynut pada spindel sehingga Logo Makita pada Ezynut menghadap ke luar.

► **Gbr.14:** 1. Ezynut 2. Roda abrasif 3. Flensa dalam 4. Spindel

Tekan kunci poros kuat-kuat dan kencangkan Ezynut dengan memutar roda abrasif searah jarum jam hingga tidak dapat diputar lagi.

► **Gbr.15:** 1. Kunci poros

Untuk mengendurkan Ezynut, putar cincin luar Ezynut berlawanan arah jarum jam.

**CATATAN:** Ezynut dapat diendurkan dengan tangan selama tanda panah menunjuk ke takik. Jika tidak, kunci pas mur kunci harus digunakan untuk mengendurkannya. Masukkan satu pin dari kunci pas ke dalam lubang dan putar Ezynut berlawanan arah jarum jam.

► **Gbr.16:** 1. Tanda panah 2. Takik

► **Gbr.17**

## Memasang roda pemotongan abrasif / roda intan

### Pilihan Aksesori

**⚠️PERINGATAN:** Ketika menggunakan pemotong abrasif / roda intan, jangan gunakan selain pelindung roda khusus yang dirancang untuk digunakan bersama roda pemotong.

**⚠️PERINGATAN:** JANGAN SEKALI-KALI menggunakan roda pemotongan untuk gerinda sampling.

- **Gbr.18:** 1. Mur kunci 2. Roda pemotongan abrasif / roda berlian 3. Flensa dalam 4. Pelindung roda untuk roda pemotongan abrasif / roda intan

Untuk pemasangan, ikuti petunjuk untuk roda tengah gerinda.

Arah untuk pemasangan mur kunci dan flensa dalam bervariasi tergantung pada jenis roda dan ketebalannya.

Perhatikan gambar berikut.

### Ketika memasang roda pemotong abrasif:

- **Gbr.19:** 1. Mur kunci 2. Roda pemotong abrasif (Lebih tipis dari 4 mm (5/32")) 3. Roda pemotong abrasif (4 mm (5/32")) atau lebih tebal) 4. Flensa dalam

### Ketika memasang roda berlian:

- **Gbr.20:** 1. Mur kunci 2. Roda intan (Lebih tipis dari 4 mm (5/32")) 3. Roda intan (4 mm (5/32")) atau lebih tebal) 4. Flensa dalam

## Memasang sikat kawat mangkuk

### Pilihan Aksesori

**⚠️PERHATIAN:** Jangan gunakan sikat yang rusak, atau yang tidak seimbang. Sikat yang rusak akan meningkatkan kemungkinan cedera akibat sentuhan dengan kawat sikat yang rusak.

Tempatkan mesin secara terbalik untuk memudahkan akses ke spindel.

Lepaskan semua aksesoris pada spindel. Pasang sikat kawat mangkuk ke dalam spindel dan kencangkan dengan kunci yang tersedia.

- **Gbr.21:** 1. Sikat kawat mangkuk

## Memasang sikat roda kawat

### Pilihan Aksesori

**⚠️PERHATIAN:** Jangan gunakan sikat roda kawat yang rusak, atau yang tidak seimbang. Sikat roda kawat yang rusak akan meningkatkan kemungkinan cedera akibat sentuhan dengan kawat yang rusak.

**⚠️PERHATIAN:** SELALU gunakan pelindung dengan sikat roda kawat, sehingga diameter roda tetap sesuai dengan pelindung dalam. Roda dapat pecah selama penggunaan, dan pelindung membantu mengurangi risiko cedera pada pengguna.

Tempatkan mesin secara terbalik untuk memudahkan akses ke spindel.

Lepaskan semua aksesoris pada spindel. Pasang sikat roda kawat ke dalam spindel dan kencangkan dengan kunci yang tersedia.

- **Gbr.22:** 1. Sikat roda kawat

## Memasang pemotong lubang

### Pilihan Aksesori

Tempatkan mesin secara terbalik untuk memudahkan akses ke spindel.

Lepaskan aksesoris apa pun pada spindel. Pasang pemotong lubang ke spindel, dan kencangkan dengan kunci pas yang disediakan.

- **Gbr.23:** 1. Pemotong lubang

## Memasang pelindung roda pengumpul debu untuk gerinda

### Pilihan Aksesori

Dengan pilihan aksesoris, Anda dapat menggunakan mesin ini untuk menyerut permukaan beton.

**⚠️PERHATIAN:** Pelindung roda pengumpul debu untuk roda intan offset hanya digunakan untuk menyerut permukaan beton dengan roda intan offset. Jangan gunakan pelindung ini dengan aksesoris pemotong lain atau untuk tujuan lain.

**⚠️PERHATIAN:** Sebelum penggunaan, pastikan pengisap debu tersambung dengan mesin dan dinyalakan.

Tempatkan mesin secara terbalik dan pasang pelindung roda pengumpul debu.

Pasang flensa dalam pada spindel.

Pasang roda intan tipe mangkuk pada flensa dalam dan kencangkan mur kunci ke spindel.

- **Gbr.24:** 1. Mur pengunci 2. Roda intan tipe mangkuk 3. Roda intan tipe mangkuk berbodi 4. Flensa dalam 5. Pelindung roda pengumpul debu 6. Kotak penahan

**CATATAN:** Untuk informasi mengenai cara untuk memasang pelindung roda pengumpul debu, baca buku panduan pelindung roda pengumpul debu.

## Memasang pelindung roda pengumpul debu untuk pemotongan

### Pilihan Aksesori

Dengan pilihan aksesoris, Anda dapat menggunakan mesin ini untuk memotong material batuan.

- **Gbr.25**

**CATATAN:** Untuk informasi mengenai cara untuk memasang pelindung roda pengumpul debu, baca buku panduan pelindung roda pengumpul debu.

## Menyambungkan pengisap debu

### Pilihan Aksesori

**⚠️ PERINGATAN:** Jangan pernah mengisap partikel logam yang dihasilkan dari pekerjaan penggerindaan/pemotongan/pengampelasan. Partikel logam yang dihasilkan dari pekerjaan tersebut sangat panas sehingga membakar debu dan saringan di bagian dalam pengisap debu.

Untuk menghindari lingkungan berdebu yang disebabkan oleh pemotongan tembok, gunakan pelindung roda pengumpul debu dan pengisap debu. Lihat petunjuk penggunaan yang disertakan pada pelindung roda pengumpul debu untuk memasang dan menggunakannya.

- **Gbr.26:** 1. Pelindung roda pengumpul debu  
2. Selang pengisap debu

## Memasang atau melepas perangkat tambahan penutup debu

### Pilihan Aksesori

**⚠️ PERHATIAN:** Pastikan mesin dalam keadaan mati dan steker telah dicabut, sebelum memasang atau melepas perangkat tambahan penutup debu. Kelalaian dalam melakukannya mengakibatkan kerusakan mesin atau cedera badan.

Pasang perangkat tambahan penutup debu ke setiap posisi yang ditentukan.

Untuk detail, lihat buku petunjuk pemasangan perangkat tambahan penutup debu.

**PEMBERITAHUAN:** Bersihkan perangkat tambahan penutup debu saat tersumbat oleh debu atau benda asing. Melanjutkan penggunaan dengan perangkat tambahan penutup debu tersumbat akan merusak mesin.

## PENGUNAAN

**⚠️ PERINGATAN:** Tidak perlu sampai memaksa mesin. Bobot mesin sudah memberi tekanan yang cukup. Pemaksaan dan tekanan yang berlebihan dapat mengakibatkan kerusakan yang berbahaya pada roda.

**⚠️ PERINGATAN:** SELALU ganti rodanya jika kinerja mesin menurun pada saat menggerinda.

**⚠️ PERINGATAN:** JANGAN SEKALI-KALI membenturkan atau memukul roda di tengah-tengah pengerjaan.

**⚠️ PERINGATAN:** Jangan memantulkan dan mendekatkan roda pada permukaan tajam, terutama ketika berkerja pada sudut, pinggir yang tajam, dll. Hal ini dapat menyebabkan hilangnya kontrol dan bantingan.

**⚠️ PERINGATAN:** JANGAN SEKALI-KALI menggunakan mesin dengan mata pisau pemotong kayu dan mata gergaji lainnya. Mata pisau semacam itu sering kali menghentak bila digunakan pada gerinda serta menyebabkan hilangnya kendali yang mengarah pada terjadinya cedera badan.

**⚠️ PERINGATAN:** Penggunaan roda aus yang berkelanjutan dapat menyebabkan ledakan roda dan cedera diri yang parah.

**⚠️ PERHATIAN:** Jangan sekali-kali menyalakan mesin saat menyentuh benda kerja, hal tersebut bisa menyebabkan luka pada operator.

**⚠️ PERHATIAN:** Selalu gunakan kaca mata pelindung atau pelindung muka selama pengoperasian.

**⚠️ PERHATIAN:** Setelah pengoperasian, selalu matikan mesin dan tunggu sampai mesin benar-benar berhenti sebelum meletakkan mesin kembali.

**⚠️ PERHATIAN:** SELALU pegang mesin menggunakan satu tangan pada bagian rumahan dan tangan yang lain pada gagang sisi (pegangan) dengan kuat.

**CATATAN:** Roda tujuan ganda dapat digunakan untuk operasi penggerindaan dan pemotongan.

Lihat "Operasi dengan roda/cakram" untuk operasi penggerindaan, dan lihat "Pengoperasian dengan pemotong abrasif/roda intan" untuk operasi pemotongan.

## Pengoperasian dengan roda/cakram

### ► Gbr.27

Nyalakan mesin dan kemudian letakkan roda atau cakram di atas benda kerja. Secara umum, pertahankan pinggiran roda atau cakram pada sudut sekitar 15° terhadap permukaan benda kerja.

Selama awal penggunaan roda baru, jangan menggerinda dengan arah ke depan sehingga benda kerja terpotong. Ketika pinggiran roda telah menjadi bulat karena terus digunakan, roda dapat bekerja dengan arah ke depan maupun ke belakang.

## Operasi dengan roda pemotongan abrasif / roda intan

### Pilihan Aksesori

**⚠PERINGATAN:** Jangan membuat roda “macet” atau menekannya secara berlebihan. Jangan mencoba memotong terlalu dalam.

Memberikan tekanan berlebihan pada roda akan meningkatkan beban dan dapat menyebabkan roda berputar atau terjepit pada potongan dan terdapat kemungkinan terjadi hentakan balik, kerusakan roda dan panas yang berlebihan.

**⚠PERINGATAN:** Jangan memulai pemotongan pada benda kerja. Biarkan roda mencapai kecepatan penuh dan perlahan masuk ke dalam pemotongan yang menggerakkan mesin ke depan di atas permukaan benda kerja. Roda mungkin saja macet, bergerak ke atas atau terjadi hentakan balik jika mesin listrik dinyalakan ulang pada benda kerja.

**⚠PERINGATAN:** Selama operasi pemotongan, jangan ubah sudut roda. Memberikan tekanan samping pada roda pemotongan (seperti dalam proses gerinda) akan menyebabkan roda retak dan patah, sehingga pengguna mengalami cedera serius.

**⚠PERINGATAN:** Roda berlian harus dioperasikan secara tegak lurus terhadap bahan yang akan dipotong.

Contoh penggunaan: operasi dengan roda pemotong abrasif

### ► Gbr.28

Contoh penggunaan: operasi menggunakan roda intan

### ► Gbr.29

## Operasi dengan sikat kawat mangkuk

### Pilihan Aksesori

**⚠PERHATIAN:** Periksa kerja sikat dengan menjalankan mesin tanpa beban, untuk memastikan bahwa tidak ada benda di depan atau sejajar dengan sikat.

Contoh penggunaan: operasi dengan sikat kawat mangkuk

### ► Gbr.30

**PEMBERITAHUAN:** Jangan menekan terlalu keras, ketika menggunakan sikat karena nanti terlalu banyak kawat yang tertekuk. Akan terjadi patahan yang sebenarnya masih bisa dihindari.

## Operasi dengan sikat roda kawat

### Pilihan Aksesori

**⚠PERHATIAN:** Periksa kerja sikat roda kawat dengan menjalankan mesin tanpa beban, untuk memastikan bahwa tidak ada benda di depan atau sejajar dengan sikat.

Contoh penggunaan: operasi dengan sikat roda kawat

### ► Gbr.31

**PEMBERITAHUAN:** Jangan menekan terlalu keras ketika menggunakan sikat roda kawat, karena nanti terlalu banyak kawat yang tertekuk. Akan terjadi patahan yang sebenarnya masih bisa dihindari.

## Pengoperasian dengan pemotong lubang

### Pilihan Aksesori

**⚠PERHATIAN:** Periksa pengoperasian pemotong lubang dengan menjalankan mesin tanpa beban, pastikan tidak ada orang di depan pemotong lubang.

**PEMBERITAHUAN:** Jangan memiringkan mesin selama pengoperasian. Akan terjadi patahan yang sebenarnya masih bisa dihindari.

Contoh penggunaan: pengoperasian dengan pemotong lubang

### ► Gbr.32

## PERAWATAN

**⚠PERHATIAN:** Selalu pastikan bahwa mesin dimatikan dan steker dicabut sebelum melakukan pemeriksaan atau perawatan.

**PEMBERITAHUAN:** Jangan sekali-kali menggunakan bensin, tiner, alkohol, atau bahan sejenisnya. Penggunaan bahan demikian dapat menyebabkan perubahan warna, perubahan bentuk atau timbulnya retakan.

Untuk menjaga KEAMANAN dan KEANDALAN mesin, perbaikan, perawatan atau penyetelan lainnya harus dilakukan oleh Pusat Layanan Resmi atau Pabrik Makita; selalu gunakan suku cadang pengganti buatan Makita.

## Pembersihan ventilasi udara

- Gbr.33: 1. Ventilasi pengeluaran 2. Ventilasi penyerapan

Mesin dan ventilasi udara harus dijaga agar tetap bersih. Bersihkan ventilasi udara mesin secara teratur atau saat ventilasi mulai terganggu.

## KOMBINASI APLIKASI DAN AKSESORI

### Pilihan Aksesori

**⚠PERHATIAN:** Menggunakan mesin dengan pelindung yang salah dapat menyebabkan risiko sebagai berikut.

- Saat menggunakan pelindung roda pemotong untuk penggerindaan permukaan, pelindung roda dapat mengganggu benda kerja yang menyebabkan kontrol yang buruk.
- Saat menggunakan pelindung roda gerinda untuk operasi pemotongan dengan roda abrasif dan roda intan yang terikat, terdapat peningkatan risiko terkena roda yang berputar, percikan dan partikel yang dipancarkan, serta risiko terkena pecahan roda jika roda pecah.
- Saat menggunakan pelindung roda pemotong atau pelindung roda gerinda untuk pengoperasian permukaan dengan roda intan tipe mangkuk, pelindung roda dapat mengganggu benda kerja yang menyebabkan kontrol yang buruk.
- Saat menggunakan pelindung roda pemotong atau pelindung roda gerinda dengan sikat kawat tipe roda dengan ketebalan lebih besar dari ketebalan maksimum sebagaimana ditentukan dalam "SPESIFIKASI", kawat dapat tersangkut pada pelindung yang menyebabkan kabel putus.
- Penggunaan pelindung roda pengumpul debu untuk pemotongan dan operasi permukaan pada beton atau batuan mengurangi risiko paparan debu.
- Saat menggunakan roda flensa yang dipasang dengan tujuan ganda (gabungan gerinda dan abrasif pemotongan), gunakan hanya pelindung roda pemotong.

### ► Gbr.34

Hanya untuk model GA4593/GA4594/GA5093/GA5094

-	Aplikasi	Model 115 mm	Model 125 mm
1	-	Gagang sisi	
2	-	Pelindung roda (untuk roda gerinda)	
3	-	Flensa dalam	
4	Penggerindaan/ Pengampelasan	Roda tengah pengasah/Cakram flap	
5	-	Mur kunci	
6	-	Ezynut *1*2	
7	-	Bantalan penyangga di belakang	
8	Penggerindaan/ Pengampelasan	Roda flex	
9	-	Bantalan karet 100	Bantalan karet 115
10	Pengampelasan	Cakram abrasif	
11	-	Mur kunci pengampelasan	
12	Penyikatan dengan kawat	Sikat roda kawat	
13	Penyikatan dengan kawat	Sikat kawat mangkuk	
14	Pemotongan lubang	Pemotong lubang	
15	-	Pelindung Roda (untuk roda pemotong)	
16	Pemotongan	Roda pemotongan abrasif / Roda intan	
17	Penggerindaan/Pemotongan	Roda tujuan ganda	
18	-	Peralatan tambahan pelindung roda pemotongan jepit *3	
19	-	Pelindung roda pengumpul debu untuk pemotongan	
20	Pemotongan	Roda intan	
21	-	Pelindung roda pengumpul debu untuk gerinda	
22	Penggerindaan	Roda intan tipe mangkuk	

-	Aplikasi	Model 115 mm	Model 125 mm
-	-	Kunci pas mur kunci	
-	-	Perangkat tambahan pelindung anti-debu	

#### Hanya untuk model GA4595/GA5095

-	Aplikasi	Model 115 mm	Model 125 mm
1	-	Gagang sisi	
2	-	Pelindung roda (untuk roda gerinda)	
3	-	Flensa dalam/Flensa super *1*2	
4	Penggerindaan/ Pengampelasan	Roda tengah pengasah/Cakram flap	
5	-	Mur kunci	
6	-	Ezynut *1*2	
7	-	Bantalan penyangga di belakang	
8	Penggerindaan/ Pengampelasan	Roda flex	
9	-	Bantalan karet 100	Bantalan karet 115
10	Pengampelasan	Cakram abrasif	
11	-	Mur kunci pengampelasan	
12	Penyikatan dengan kawat	Sikat roda kawat	
13	Penyikatan dengan kawat	Sikat kawat mangkuk	
14	Pemotongan lubang	Pemotong lubang	
15	-	Pelindung roda (untuk roda pemotong)	
16	Pemotongan	Roda pemotongan abrasif/Roda intan	
17	Penggerindaan/Pemotongan	Roda tujuan ganda	
18	-	Peralatan tambahan pelindung roda pemotongan jepit *3	
19	-	Pelindung roda pengumpul debu untuk pemotongan	
20	Pemotongan	Roda intan	
21	-	Pelindung roda pengumpul debu untuk gerinda	
22	Penggerindaan	Roda intan tipe mangkuk	
-	-	Kunci pas mur kunci	
-	-	Perangkat tambahan pelindung anti-debu	

**CATATAN:** \*1 Jangan menggunakan Flensa super dan Ezynut secara bersamaan.

**CATATAN:** \*2 Hanya untuk mesin dengan ulir spindel M14.

**CATATAN:** \*3 Perangkat tambahan pelindung roda pemotongan jepit tidak tersedia di beberapa negara. Untuk detail lebih lanjut, lihat buku petunjuk pemasangan perangkat tambahan pelindung roda pemotongan jepit.

**CATATAN:** Jangan gunakan Flensa super dengan gerinda yang dilengkapi dengan fungsi rem.

## AKSESORI PILIHAN

**⚠️ PERHATIAN:** Dianjurkan untuk menggunakan aksesori atau perangkat tambahan ini dengan mesin Makita Anda yang ditentukan dalam petunjuk ini. Penggunaan aksesori atau perangkat tambahan lain bisa menyebabkan risiko cedera pada manusia. Hanya gunakan aksesori atau perangkat tambahan sesuai dengan peruntukannya.

Jika Anda memerlukan bantuan lebih rinci berkenaan dengan aksesori ini, tanyakan pada Pusat Layanan Makita terdekat.

- Aksesori yang tercantum dalam "KOMBINASI APLIKASI DAN AKSESORI"

**CATATAN:** Beberapa item dalam daftar tersebut mungkin sudah termasuk dalam paket mesin sebagai aksesori standar. Hal tersebut dapat berbeda dari satu negara ke negara lainnya.

## SPEKIFIKASI

Model:		GA4593	GA4594	GA4595	GA5093	GA5094	GA5095
Roda pengisaran yang boleh digunakan	Diameter roda maksimum	115 mm			125 mm		
	Ketebalan roda maks.	7.2 mm					
Roda pemotongan yang boleh digunakan	Diameter roda maksimum	115 mm			125 mm		
	Ketebalan roda maks.	3.2 mm					
Berus roda wayar yang boleh digunakan	Diameter roda maksimum	115 mm			125 mm		
	Ketebalan roda maks.	20 mm					
Ulir spindel		M14 atau 5/8" (khusus negara)					
Panjang spindel maksimum		23 mm					
Kelajuan tanpa beban ( $n_0$ ) / Kelajuan terkadar (n)		11,500 min <sup>-1</sup>					
Panjang keseluruhan		349 mm	326 mm	349 mm	349 mm	326 mm	326 mm
Berat bersih		2.8 - 4.0 kg	2.6 - 3.8 kg	2.9 - 4.0 kg	2.9 - 4.0 kg	2.7 - 3.8 kg	2.7 - 3.8 kg
Kelas keselamatan		□/II					

- Disebabkan program penyelidikan dan pembangunan kami yang berterusan, spesifikasi yang terkandung di dalam ini adalah tertakluk kepada perubahan tanpa notis.
- Spesifikasi mungkin berbeza mengikut negara.
- Berat mungkin berbeza bergantung kepada pemasangan. Kombinasi paling ringan dan paling berat, mengikut Prosedur EPTA 01/2014, ditunjukkan di dalam jadual.

## Simbol

Berikut menunjukkan simbol-simbol yang boleh digunakan untuk alat ini. Pastikan anda memahami maksudnya sebelum menggunakan.



Baca manual arahan.



Pakai cermin mata keselamatan.



Sentiasa kendalikan dengan kedua-dua tangan.



Jangan gunakan pengadang roda untuk operasi pemotongan.



PENEBATAN BERGANDA



Hanya untuk negara-negara EU  
Disebabkan kehadiran komponen berbahaya dalam peralatan, peralatan elektrik dan elektronik terpakai boleh memberi kesan negatif terhadap persekitaran dan kesihatan manusia. Jangan buang alat elektrik dan elektronik bersama dengan bahan buangan isi rumah!

Mengikut Arahan Eropah mengenai sisa peralatan elektrik dan elektronik dan penyesuaian dengan undang-undang negara, peralatan elektrik dan elektronik terpakai hendaklah dikumpulkan secara berasingan dan dihantar ke tempat pengumpulan berasingan untuk sisa perbandaran, beroperasi mengikut peraturan perlindungan persekitaran. Ini ditunjukkan oleh simbol tong sampah beroda yang bersilang pada peralatan.

## Tujuan penggunaan

Alat ini bertujuan untuk pengisaran, pemasangan, pemberusan wayar, pemotongan lubang dan pemotongan bahan logam dan batu tanpa menggunakan air.



## Bekalan kuasa

Alat ini perlu disambungkan hanya kepada bekalan kuasa dengan voltan yang sama seperti yang ditunjukkan pada papan nama, dan hanya boleh dikendalikan pada bekalan AC fasa tunggal. Ia mempunyai penebatan berganda dan oleh itu, ia juga boleh digunakan pada soket tanpa wayar bumi.

## AMARAN KESELAMATAN

### Amaran keselamatan umum alat kuasa

**⚠️ AMARAN:** Baca semua amaran keselamatan, arahan, ilustrasi dan spesifikasi yang disediakan dengan alat kuasa ini. Kegagalan mengikut semua arahan yang disenaraikan di bawah boleh menyebabkan kejutan elektrik, kebakaran dan/atau kecederaan serius.

## Simpan semua amaran dan arahan untuk rujukan masa depan.

Istilah "alat kuasa" dalam amaran merujuk kepada alat kuasa yang menggunakan tenaga elektrik (dengan kord) atau alat kuasa yang menggunakan bateri (tanpa kord).

### Keselamatan kawasan kerja

1. **Pastikan kawasan kerja bersih dan diterangi dengan baik.** Kawasan berselerak atau gelap mengundang kemalangan.
2. **Jangan kendalikan alat kuasa dalam keadaan yang mudah meletup, seperti dalam kehadiran cecair, gas atau habuk yang mudah terbakar.** Alat kuasa menghasilkan percikan api yang boleh menyalakan debu atau wasap.
3. **Jauhkan kanak-kanak dan orang ramai semasa mengendalikan alat kuasa.** Gangguan boleh menyebabkan anda hilang kawalan.

### Keselamatan elektrik

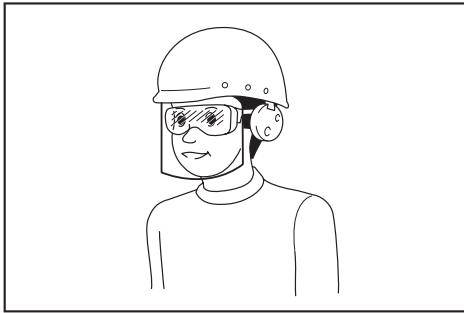
1. **Palam alat kuasa mesti sepadan dengan soket.** Jangan ubah suai palam dalam apa cara sekalipun. Jangan gunakan sebarang palam penyesuai dengan alat kuasa terbumi. Palam yang tidak diubah suai dan soket yang sepadan akan mengurangkan risiko kejutan elektrik.
2. **Elakkan sentuhan badan dengan permukaan terbumi, seperti paip, radiator, dapur dan peti sejuk.** Terdapat peningkatan risiko kejutan elektrik jika elektrik terbumi terkena badan anda.
3. **Jangan biarkan alat kuasa terkena hujan atau basah.** Air yang memasuki alat kuasa akan meningkatkan risiko kejutan elektrik.
4. **Jangan salah gunakan kord.** Jangan gunakan kord untuk membawa, menarik atau mencabut palam alat kuasa. Jauhkan kord dari haba, minyak, bucu tajam atau bahagian yang bergerak. Kord yang rosak atau tersimpul meningkatkan risiko kejutan elektrik.

5. **Semasa mengendalikan alat kuasa di luar, gunakan kord sambungan yang bersesuaian untuk kegunaan luar.** Penggunaan kord yang sesuai untuk kegunaan luar mengurangkan risiko kejutan elektrik.
6. **Sekiranya pengendalian alat kuasa di lokasi lembap tidak dapat dielakkan, gunakan bekalan peranti arus sisa (RCD) yang dilindungi.** Penggunaan RCD mengurangkan risiko kejutan elektrik.
7. **Penggunaan bekalan kuasa melalui RCD dengan arus sisa yang bernilai 30 mA atau kurang sentiasa disyorkan.**
8. **Alat kuasa boleh menghasilkan medan elektromagnetik (EMF) yang tidak berbahaya kepada pengguna.** Walau bagaimanapun, pengguna perentak jantung atau peranti perubatan yang serupa harus menghubungi pembuat peranti mereka dan/atau doktor untuk nasihat sebelum mengendalikan alat kuasa ini.
9. **Jangan sentuh palam kuasa dengan tangan yang basah.**
10. **Jika kord rosak, minta ia diganti oleh pengilang atau ejennya bagi mengelakkan bahaya keselamatan.**

### Keselamatan diri

1. **Sentiasa berwaspada, perhatikan apa yang anda lakukan dan guna akal budi semasa mengendalikan alat kuasa.** Jangan gunakan alat kuasa semasa anda letih atau di bawah pengaruh dadah, alkohol atau ubat. Kelekaan seketika semasa mengendalikan alat kuasa boleh menyebabkan kecederaan diri yang serius.
2. **Gunakan peralatan pelindung diri. Sentiasa pakai pelindung mata.** Peralatan pelindung seperti topeng debu, kasut keselamatan tak mudah tergelincir, topi keselamatan atau pelindung pendengaran yang digunakan untuk keadaan yang sesuai akan mengurangkan kecederaan diri.
3. **Elakkan permulaan yang tidak disengajakan. Pastikan suis ditutup sebelum menyambung kepada sumber kuasa dan/atau pek bateri, semasa mengangkat atau membawa alat.** Membawa alat kuasa dengan jari anda pada suis atau mentenagakan alat kuasa dengan suis pada kedudukan hidup mengundang kemalangan.
4. **Alihkan sebarang kunci atau sepana pelaras sebelum menghidupkan alat kuasa.** Sepana atau kunci yang ditinggalkan pada bahagian berputar alat kuasa boleh menyebabkan kecederaan diri.
5. **Jangan lampau jangkau. Jaga pijakan dan keseimbangan yang betul pada setiap masa.** Ini membolehkan kawalan alat kuasa yang lebih baik dalam situasi yang tidak dijangka.
6. **Berpakaian dengan betul. Jangan pakai pakaian yang longgar atau barang kemas. Jauhkan rambut dan pakaian anda dari bahagian yang bergerak.** Pakaian longgar, barang kemas atau rambut yang panjang boleh terperangkap dalam bahagian yang bergerak.

7. Jika peranti disediakan untuk sambungan kemudahan pengekstrakan dan pengumpulan habuk, pastikan ia disambung dan digunakan dengan betul. Penggunaan pengumpulan habuk boleh mengurangkan bahaya berkaitan habuk.
8. Jangan biarkan kebiasaan daripada kekerapan penggunaan alat membuatkan anda berpuas hati dan mengabaikan prinsip keselamatan alat. Kecuaian boleh menyebabkan kecederaan serius dalam sekelip mata.
9. Sentiasa pakai kaca mata pelindung untuk melindungi mata anda daripada kecederaan apabila menggunakan alat kuasa. Kaca mata mestilah mematuhi ANSI Z87.1 di AS, EN 166 di Eropah, atau AS/NZS 1336 di Australia/ New Zealand. Di Australia/New Zealand, undang-undang mengarahkan untuk memakai pelindung muka bagi melindungi muka anda, juga.



Menjadi tanggungjawab majikan untuk menguatkuasa penggunaan peralatan perlindungan keselamatan yang bersesuaian oleh pengendali alat dan oleh orang lain dalam kawasan bekerja semasa.

#### Penggunaan dan penjagaan alat kuasa

1. Jangan gunakan alat kuasa dengan kasar. Gunakan alat kuasa yang betul untuk penggunaan anda. Alat kuasa yang betul akan melakukan tugas dengan lebih baik dan lebih selamat pada kadar mana ia direka cipta.
2. Jangan gunakan alat kuasa jika suis tidak berfungsi untuk menghidupkan dan mematakannya. Alat kuasa yang tidak dapat dikawal dengan suis adalah berbahaya dan mesti dibaiki.
3. Cabut palam dari sumber kuasa dan/atau keluarkan pek bateri, jika boleh ditanggalkan, dari alat kuasa sebelum membuat sebarang pelarasan, menukar aksesori, atau menyimpan alat kuasa. Langkah-langkah keselamatan pencegahan sedemikian mengurangkan risiko memulakan alat kuasa secara tidak sengaja.
4. Simpan alat kuasa yang tidak digunakan jauh dari jangkauan kanak-kanak dan jangan biarkan orang yang tidak biasa dengan alat kuasa atau arahan ini untuk mengendalikan alat kuasa. Alat kuasa adalah berbahaya di tangan pengguna yang tidak terlatih.

5. Menyelenggara alat kuasa dan aksesori. Periksa salah jajaran atau ikatan pada bahagian yang bergerak, bahagian yang pecah dan apa-apa keadaan lain yang boleh menjejaskan operasi alat kuasa. Jika rosak, baiki alat kuasa sebelum digunakan. Kebanyakan kemalangan adalah disebabkan oleh alat kuasa yang tidak dijaga dengan baik.
6. Pastikan alat pemotong tajam dan bersih. Alat pemotong yang dijaga dengan betul dengan hujung pemotong yang tajam mempunyai kemungkinan yang rendah untuk terikat dan lebih mudah dikendalikan.
7. Gunakan alat kuasa, aksesori dan alat bit dan sebagainya mengikut arahan ini dengan mengambil kira keadaan kerja dan kerja yang perlu dilakukan. Penggunaan alat kuasa untuk operasi yang berbeza dari yang dimaksudkan boleh menyebabkan keadaan berbahaya.
8. Pastikan pemegang dan permukaan pegangan kering, bersih dan bebas dari minyak dan gris. Pemegang dan permukaan pegangan yang licin tidak membolehkan pengendalian dan kawalan selamat bagi alat dalam situasi yang tidak dijangka.
9. Apabila menggunakan alat, jangan pakai sarung tangan kerja kain yang mungkin boleh kusut. Kekusutan sarung tangan kerja kain pada bahagian yang bergerak boleh menyebabkan kecederaan diri.

#### Servis

1. Pastikan alat kuasa anda diservis oleh orang yang berkelayakan dengan hanya menggunakan alat ganti yang sama. Ini akan memastikan keselamatan alat kuasa dapat dikekalkan.
2. Ikut arahan untuk melincir dan menukar aksesori.

### Amaran keselamatan pengisar

Amaran keselamatan lazim untuk pengisaran, pemasiran, pemberusan wayar atau operasi pemotongan:

1. Alat kuasa ini bertujuan untuk berfungsi sebagai alat pengisar, pemasir, berus wayar, pemotong lubang atau alat pemotongan. Baca semua amaran keselamatan, arahan, ilustrasi dan spesifikasi yang disediakan dengan alat kuasa ini. Kegagalan mengikut semua arahan yang disenaraikan di bawah boleh menyebabkan kejutan elektrik, kebakaran dan/atau kecederaan serius.
2. Operasi seperti penggilapan tidak akan dilakukan dengan alat kuasa ini. Operasi yang tidak direka bentuk untuk alat kuasa ini boleh menyebabkan bahaya dan kecederaan diri.
3. Jangan tukarkan alat kuasa ini untuk mengendalikan dengan cara yang tidak direka bentuk dan ditentukan secara khusus oleh pengilang alat. Penukaran sedemikian mungkin mengakibatkan hilang kawalan dan menyebabkan kecederaan diri yang serius.

4. **Jangan gunakan aksesori yang tidak direka bentuk dan ditentukan secara khusus oleh pengilang alat.** Hanya kerana aksesori boleh dipasang pada alat kuasa anda, itu tidak menjamin operasi yang selamat.
  5. **Kelajuan terkadar aksesori mesti sekurang-kurangnya sama seperti kelajuan maksimum yang ditandakan pada alat kuasa.** Aksesori yang beroperasi lebih laju daripada kelajuan terkadar aksesori boleh pecah dan berkecai.
  6. **Diameter luar dan ketebalan aksesori anda mesti dalam perkadaran kapasiti alat kuasa anda.** Aksesori dengan saiz yang tidak betul tidak boleh dijaga atau dikawal dengan secukupnya.
  7. **Dimensi lekapan aksesori mestilah sesuai dengan dimensi perkakasan lekapan alat kuasa.** Aksesori yang tidak sepadan dengan perkakasan lekapan alat kuasa akan tidak seimbang, bergetar secara berlebihan dan boleh menyebabkan hilang kawalan.
  8. **Jangan gunakan aksesori yang rosak. Sebelum setiap penggunaan, periksa aksesori seperti roda lelas untuk mengesan serpihan dan retakan, pad penyokong untuk mengesan retakan, haus dan lusuh berlebihan, berus wayar untuk mengesan wayar yang longgar atau retak. Jika alat kuasa atau aksesori terjatuh, periksa untuk mengesan kerosakan atau pasang aksesori yang tidak rosak. Selepas pemeriksaan dan pemasangan aksesori, jauhkan diri anda dan orang ramai daripada satah aksesori yang berputar dan jalankan alat kuasa pada kelajuan tanpa beban maksimum selama seminit.** Aksesori yang rosak biasanya akan pecah berderai sepanjang tempoh ujian ini.
  9. **Pakai peralatan pelindung diri. Bergantung pada penggunaan, guna pelindung muka, gogal keselamatan atau cermin mata keselamatan. Sebagaimana yang sesuai, pakai topeng habuk, pelindung pendengaran, sarung tangan dan apron bengkel yang mampu menghalang serpihan pelepas atau bahan kerja yang kecil.** Pelindung mata mesti mampu menghalang serpihan yang terbang yang dihasilkan oleh pelbagai penggunaan. Topeng habuk atau alat pernafasan mesti mampu menapis zarah yang dihasilkan oleh penggunaan khusus. Pendedahan yang berlanjutan kepada hingar dengan keamatan yang tinggi boleh menyebabkan hilang pendengaran.
  10. **Pastikan orang ramai berada pada jarak yang selamat dari kawasan kerja. Sesiapa sahaja yang memasuki kawasan kerja mesti memakai peralatan pelindung diri.** Serpihan bahan kerja atau aksesori yang pecah mungkin berterbangan dan menyebabkan kecederaan di luar kawasan operasi terdekat.
  11. **Pegang alat kuasa pada permukaan mencengkam tertebat sahaja, apabila melakukan operasi yang aksesori pemotong boleh tersentuh wayar tersembunyi atau kordnya sendiri.** Aksesori pemotong yang bersentuh dengan wayar "hidup" boleh menyebabkan bahagian logam alat kuasa "hidup" terdedah dan boleh memberi kejutan elektrik kepada pengendali.
  12. **Jauhkan kord daripada aksesori yang berputar.** Jika anda hilang kawalan, kord boleh terpotong atau tersangkut dan tangan atau lengan anda boleh tertarik ke dalam aksesori yang berputar.
  13. **Jangan sekali-kali meletakkan alat kuasa ke bawah sehingga aksesori telah berhenti sepenuhnya.** Aksesori yang berputar boleh menyambar permukaan dan menarik alat kuasa daripada kawalan anda.
  14. **Jangan jalankan alat kuasa ketika membawanya di sisi anda.** Sentuhan secara tidak sengaja dengan aksesori yang berputar boleh menyebabkan pakaian anda tersangkut dan menarik aksesori ke badan anda.
  15. **Bersihkan saluran udara alat kuasa dengan kerap.** Kipas motor akan mengeluarkan habuk di dalam perumah dan pengumpulan logam serbuk yang berlebihan boleh menyebabkan bahaya elektrik.
  16. **Jangan kendalikan alat kuasa berhampiran bahan mudah terbakar.** Percikan boleh menyalakan bahan ini.
  17. **Jangan gunakan aksesori yang memerlukan bahan pendingin cecair.** Penggunaan air atau bahan pendingin cecair yang lain boleh menyebabkan renjatan elektrik.
- Tolak keluar dan amaran berkaitan:**  
Tolak keluar ialah tindak balas tersepit atau tersangkut tiba-tiba kepada roda berputar, pad penyokong, berus atau mana-mana aksesori yang lain. Tersepit atau tersangkut menyebabkan aksesori berputar berhenti secara tiba-tiba dan menyebabkan alat kuasa yang tidak dapat dikawal dipaksa bergerak ke arah bertentangan dengan putaran aksesori ketika tersangkut. Sebagai contoh, jika roda pelepas tersangkut atau tersepit pada bahan kerja, bahagian tepi roda yang memasuki titik sepiatan boleh menekan ke dalam permukaan bahan dan menyebabkan roda ter naik atau terkeluar. Roda mungkin sama ada melantun ke arah atau jauh daripada pengendali, bergantung pada arah pergerakan roda ketika aksesori tersepit. Roda pelepas mungkin juga pecah di bawah keadaan ini.

Tolak keluar adalah akibat daripada penyalahgunaan alat kuasa dan/atau prosedur atau keadaan operasi yang tidak betul dan boleh dielakkan dengan mengambil langkah berjaga-jaga yang betul seperti yang diberikan di bawah.

1. **Kekalkan genggaman yang kuat dengan kedua-dua tangan pada alat kuasa dan pastikan kedudukan badan dan lengan anda membolehkan anda menahan daya tolak keluar. Sentiasa gunakan pemegang tambahan, jika disediakan, untuk kawalan maksimum terhadap tolak keluar atau tindak balas tork semasa memulakan.** Pengendali boleh mengawal tindak balas tork atau daya tolak keluar, jika langkah berjaga-jaga yang wajar diambil.
2. **Jangan sekali-kali meletakkan tangan anda dekat dengan aksesori yang berputar.** Aksesori mungkin ditolak keluar ke atas tangan anda.
3. **Jangan letakkan badan anda di kawasan yang alat kuasa akan bergerak jika tolak keluar berlaku.** Tolak keluar akan mendorong alat ke arah bertentangan dengan pergerakan roda ketika aksesori tersangkut.
4. **Gunakan dengan lebih berhati-hati apabila bekerja di sudut, pinggir yang tajam dan sebagainya. Elakkan aksesori daripada melantun dan tersangkut.** Sudut, pinggir yang tajam atau melantun mempunyai kecenderungan untuk menyebabkan aksesori berputar tersangkut dan menyebabkan hilang kawalan atau tolak keluar.
5. **Jangan pasang rantai gergaji, bilah pengukir kayu, roda intan bersemen dengan celah pinggir lebih besar daripada 10 mm atau bilah gergaji bergigi.** Bilah seperti ini akan kerap menghasilkan tolak keluar dan hilang kawalan.

#### **Amaran keselamatan khusus untuk operasi pengisaran dan pemotongan:**

1. **Hanya gunakan jenis roda yang dikhususkan untuk alat kuasa anda dan pengadang yang direka khusus untuk roda yang dipilih.** Roda yang tidak direka untuk alat kuasa tidak dapat dikawal secukupnya dan tidak selamat.
2. **Permukaan pengisaran roda tengah lekuk mesti dilekapkan di bawah satah bibir pengadang.** Roda yang tidak dilekapkan dengan betul yang mengunjur melalui satah bibir pengadang tidak dapat dilindungi secukupnya.
3. **Pengadang mesti dipasang dengan kukuh pada alat kuasa dan diletakkan untuk keselamatan maksimum, supaya sedikit sahaja roda terdedah ke arah pengendali.** Pengadang membantu untuk melindungi pengendali daripada serpihan roda yang pecah, tersentuh secara tidak sengaja dengan roda dan percikan yang boleh membakar pakaian.
4. **Roda mesti digunakan hanya untuk penggunaan yang dikhususkan. Contohnya: jangan kisar dengan sisi roda pemotongan.** Roda pemotongan pelepas bertujuan untuk pengisaran persisian dan daya sisi yang dikenakan kepada roda ini mungkin menyebabkan roda pecah.

5. **Sentiasa menggunakan bebibir roda yang tidak rosak yang mempunyai saiz dan bentuk yang betul untuk roda yang anda pilih.** Bebibir roda yang betul menyokong roda dan dapat mengurangkan kemungkinan roda rosak. Bebibir untuk roda pemotongan mungkin berbeza daripada bebibir roda pengisaran.
6. **Jangan pakai roda dipakai daripada alat kuasa yang lebih besar.** Roda yang bertujuan untuk kegunaan alat kuasa yang lebih besar tidak sesuai untuk kelajuan lebih tinggi alat yang lebih kecil dan mungkin meletup.
7. **Apabila menggunakan roda dwiguna, sentiasa gunakan pengadang yang betul untuk penggunaan yang dilakukan.** Kegagalan menggunakan pengadang yang betul mungkin tidak memberikan tahap pengadangan diinginkan yang boleh mengakibatkan kecederaan serius.

#### **Amaran keselamatan tambahan untuk operasi pemotongan:**

1. **Jangan biarkan roda pemotongan “tersekat” atau mengena tekanan yang berlebihan. Jangan cuba membuat kedalaman potongan yang berlebihan.** Mengena tekanan yang berlebihan kepada roda akan meningkatkan beban dan kecenderungan untuk berputar atau tersangkut roda dalam potongan dan kemungkinan tolak keluar atau roda rosak.
2. **Jangan letakkan badan anda selari dengan dan di belakang roda berputar.** Apabila rosak, ketika beroperasi, bergerak jauh dari badan anda, kemungkinan tolak keluar boleh mendorong roda berputar dan alat kuasa ke arah anda.
3. **Apabila roda tersangkut atau apabila gangguan pemotongan berlaku atas apa jua sebab, matikan alat kuasa dan pegang alat kuasa tanpa bergerak sehingga roda berhenti sepenuhnya. Jangan sekali-kali cuba menanggalkan roda pemotongan daripada potongan ketika roda sedang bergerak, jika tidak tolak keluar mungkin berlaku.** Siasat dan ambil tindakan pembetulan untuk menyingkirkan sebab roda tersangkut.
4. **Jangan mulakan semula operasi pemotongan dalam bahan kerja. Biarkan roda mencapai kelajuan penuh dan masukkan semula roda ke dalam potongan dengan berhati-hati.** Roda boleh mengikat, berjalan atau tolak keluar jika alat kuasa dimulakan semula di dalam bahan kerja.
5. **Menyokong panel atau sebarang bahan kerja yang terlalu besar untuk meminumkan risiko roda tersepit dan tolak keluar.** Bahan kerja yang besar mudah melendut di bawah berat bahan kerja itu sendiri. Penyokong mesti diletakkan di bawah bahan kerja berhampiran garisan potongan dan berhampiran pinggir bahan kerja pada kedua-dua belah roda.
6. **Menggunakan langkah yang lebih berhati-hati apabila membuat “potongan poket” ke dalam dinding sedia ada atau kawasan terlindung yang lain.** Roda yang menonjol mungkin memotong paip gas atau air, pendawaian elektrik atau objek yang boleh menyebabkan tolak keluar.

7. **Jangan cuba melakukan pemotongan melengkung.** Mengenakan tekanan yang berlebihan kepada roda akan meningkatkan beban dan kecenderungan untuk berputar atau tersangkut roda dalam potongan dan kemungkinan tolak keluar atau roda rosak yang boleh mengakibatkan kecederaan serius.
8. **Sebelum menggunakan roda intan bersegmen, pastikan roda intan mempunyai celah pinggir antara segmen 10 mm atau kurang, hanya dengan sudut cakar negatif.**
9. **Jangan sentuh aksesori dengan serta-merta selepas operasi; ia mungkin sangat panas dan boleh melecurkan kulit anda.**
10. **Patuhi arahan pengilang untuk pelekapan dan penggunaan roda yang betul.** Kendalikan dan simpan roda dengan cermat.
11. **Jangan gunakan sesendal atau penyesuaian pengurang yang berasingan untuk menyesuaikan roda lelas lubang besar.**
12. **Gunakan hanya bebibir yang khusus untuk alat ini.**

**Amaran keselamatan khusus untuk operasi pemasangan:**

1. **Gunakan kertas cakera pemasangan dengan saiz yang bersesuaian.** Ikut pengesyoran pengilang, apabila memilih kertas pemasangan. Kertas pemasangan lebih besar yang terkeluar terlalu jauh daripada pad pemasangan akan mewujudkan bahaya melecet dan mungkin menyebabkan tersangkut dan mengoyakkan cakera atau tolak keluar.

**Amaran keselamatan khusus untuk operasi pemberusan wayar:**

1. **Sila ambil perhatian bahawa bulu wayar dibuang keluar oleh berus walaupun ketika operasi biasa.** Jangan beri tekanan berlebihan kepada wayar dengan mengenakan beban berlebihan kepada berus. Bulu wayar mudah menembusi pakaian yang nipis dan/atau kulit.
2. **Jika penggunaan pengadang dikhususkan untuk pemberusan wayar, jangan biarkan sebarang gangguan bagi roda atau berus wayar dengan pengadang.** Diameter roda atau berus wayar mungkin bertambah disebabkan beban kerja dan daya emparan.

**Amaran Keselamatan Tambahan:**

1. **Apabila menggunakan roda pengisaran tengah lekuk, pastikan untuk menggunakan hanya roda yang diperkukuh gentian kaca.**
2. **JANGAN SEKALI-KALI MENGGUNAKAN roda jenis Cawan Batu dengan pengisar ini.** Pengisar tidak direka untuk jenis roda ini dan penggunaan produk yang sedemikian boleh mengakibatkan kecederaan diri yang serius.
3. **Berhati-hati agar tidak merosakkan spindel, bebibir (terutamanya permukaan pemasangan) atau nat kunci.** Kerosakan kepada bahagian ini boleh mengakibatkan roda pecah.
4. **Pastikan roda tidak menyentuh bahan kerja sebelum suis dihidupkan.**
5. **Sebelum menggunakan alat pada bahan kerja sebenar, biarkan ia beroperasi seketika.** Perhatikan getaran atau gangguan yang boleh menunjukkan pemasangan yang lemah atau roda yang sangat tidak seimbang.
6. **Gunakan permukaan roda tertentu untuk melakukan pengisaran.**
7. **Jangan tinggalkan alat yang sedang berjalan.** Kendalikan alat hanya apabila dipegang.
8. **Jangan sentuh bahan kerja dengan serta-merta selepas operasi; ia mungkin sangat panas dan boleh melecurkan kulit anda.**

9. **Jangan sentuh aksesori dengan serta-merta selepas operasi; ia mungkin sangat panas dan boleh melecurkan kulit anda.**
10. **Patuhi arahan pengilang untuk pelekapan dan penggunaan roda yang betul.** Kendalikan dan simpan roda dengan cermat.
11. **Jangan gunakan sesendal atau penyesuaian pengurang yang berasingan untuk menyesuaikan roda lelas lubang besar.**
12. **Gunakan hanya bebibir yang khusus untuk alat ini.**
13. **Untuk alat yang bertujuan untuk dipasang dengan roda lubang berulir, pastikan bahawa ulir dalam roda cukup panjang untuk menerima panjang spindel.**
14. **Pastikan bahawa bahan kerja disokong dengan betul.**
15. **Ambil perhatian bahawa roda akan terus berputar selepas alat dimatikan.**
16. **Jika tempat kerja sangat panas dan lembap atau sangat tercemar oleh habuk berkonduksi, gunakan pemutus litar pintas (30 mA) untuk memastikan keselamatan pengendali.**
17. **Jangan gunakan alat pada mana-mana bahan yang mengandungi asbestos.**
18. **Apabila menggunakan roda pemotongan, sentiasa bekerja dengan pengadang roda kumpul habuk jika diperlukan oleh peraturan domestik.**
19. **Cakera pemotong tidak boleh dikenakan sebarang tekanan sisi.**
20. **Jangan guna sarung tangan kerja jenis kain semasa operasi.** Fiber daripada sarung tangan jenis kain mungkin termasuk ke dalam alat, yang menyebabkan alat pecah.
21. **Sebelum beroperasi, pastikan tiada objek tersembunyi seperti paip elektrik, paip air atau paip gas di dalam bahan kerja.** Jika tidak, ia boleh menyebabkan kejutan elektrik, kebocoran elektrik atau kebocoran gas.
22. **Jika kertas telap diletakkan pada roda, jangan tanggalkan kertas telap tersebut.** Diameter kertas telap mestilah lebih besar daripada nat kunci, bebibir luaran dan bebibir dalaman.
23. **Sebelum memasang roda pengisaran, sentiasa periksa bahawa bahagian kertas telap tidak mempunyai sebarang keabnormalan seperti serpihan atau retakan.**
24. **Ketatkan nat kunci dengan betul.** Mengetatkan roda secara berlebihan boleh menyebabkan kerosakan dan getatan yang tidak mencukupi boleh menyebabkan goyangan.

## SIMPAN ARAHAN INI.

**⚠️AMARAN:** JANGAN biarkan keselesaan atau kebiasaan dengan produk (daripada penggunaan berulang) menggantikan pematuhan ketat terhadap peraturan keselamatan untuk produk yang ditetapkan. SALAH GUNA atau kegagalan mematuhi peraturan-peraturan keselamatan yang dinyatakan dalam manual arahan ini boleh menyebabkan kecederaan diri yang serius.

# KETERANGAN FUNGSI

**⚠️ PERHATIAN:** Sentiasa pastikan alat dimatikan dan dicabut sebelum menyelaraskan atau menyemak fungsi pada alat.

## Sistem perlindungan alat

Alat dilengkapi dengan sistem perlindungan alat. Sistem ini mengurangkan atau memutuskan kuasa ke motor secara automatik untuk memanjangkan hayat bateri. Alat akan mengurangkan kuasa secara automatik tanpa ketika operasi secara automatik jika alat berada di bawah salah satu keadaan yang berikut:

## Perlindungan lebih beban

Apabila alat beroperasi dengan cara yang menyebabkan ia menarik arus tinggi yang luar biasa, alat akan mengurangkan kuasa secara automatik tanpa sebarang penunjuk. Dalam keadaan ini, keluarkan penyebab berlakunya lebih beban agar kelajuan putaran dipulihkan.

## Perlindungan pemanasan lampau

### Khusus negara

Apabila alat terlampau panas, alat berhenti secara automatik dan lampu penunjuk berkelip merah. Dalam keadaan ini, biarkan alat menyejuk. Anda boleh menghidupkan semula alat selepas lambu berubah warna daripada merah menjadi hijau.

## Lampu penunjuk

► **Rajah1:** 1. Lampu penunjuk

Lampu penunjuk menyala hijau apabila alat dipasang. Jika lampu penunjuk berkelip merah, perlindungan pemanasan lampau, Teknologi penderiaan Maklum Balas Aktif atau fungsi pencegahan mula semula secara tidak sengaja menghentikan operasi. Dalam keadaan ini, matikan alat. Kemudian, hidupkan alat untuk mula semula.

Jika lampu penunjuk menyala merah selepas alat dimatikan, alat tersebut terlampau panas. Dalam keadaan ini, biarkan alat menyejuk dan tunggu sehingga lampu penunjuk menyala hijau.

## Dail pelarasan kelajuan

Hanya untuk model GA4593 / GA5093

**⚠️ PERHATIAN:** Jika alat ini dikendalikan secara berterusan pada kelajuan yang rendah dalam masa yang lama, motor akan menjadi lebih beban dan panas.

**⚠️ PERHATIAN:** Dail pelarasan kelajuan boleh dipusingkan hanya sejauh 5 dan kembali ke 1. Jangan memaksa ia melepasi 5 atau 1, atau fungsi pelaras kelajuan mungkin tidak berfungsi lagi.

Kelajuan putaran boleh ditukar dengan memusingkan dail pelarasan kelajuan ke tetapan nombor tertentu daripada 1 hingga 5. Kelajuan yang lebih tinggi diperolehi apabila dail dipusingkan ke arah nombor 5. Dan kelajuan yang lebih rendah diperolehi apabila ia dipusingkan ke arah nombor 1. Rujuk jadual di bawah untuk hubungan antara tetapan nombor pada dail dengan anggaran kelajuan putaran.

Nombor	Kelajuan terkadar
1	2,800 min <sup>-1</sup> (/min)
2	4,500 min <sup>-1</sup> (/min)
3	6,500 min <sup>-1</sup> (/min)
4	8,000 min <sup>-1</sup> (/min)
5	11,500 min <sup>-1</sup> (/min)

► **Rajah2:** 1. Dail pelarasan kelajuan

## Kunci aci

**⚠️ AMARAN:** Jangan sekali-kali menggerakkan kunci aci ketika spindel bergerak. Ia boleh menyebabkan kecederaan serius atau kerosakan alat.

Tekan kunci aci untuk mengelakkan putaran spindel apabila memasang atau menanggalkan aksesori.

► **Rajah3:** 1. Kunci aci

## Tindakan suis

**⚠️ PERHATIAN:** Sebelum memasang alat, sentiasa periksa sama ada tuil suis bergerak dengan betul dan kembali ke kedudukan "OFF" apabila dilepaskan.

**⚠️ PERHATIAN:** Untuk keselamatan anda, alat ini dilengkapi dengan tuil buka kunci yang mengelakkan alat bermula dengan tidak disengajakan. JANGAN gunakan alat jika ia berjalan apabila anda hanya tuil suis tanpa menekan tuil buka kunci. Kembalikan alat tersebut ke pusat perkhidmatan kami yang sah untuk pembaikan yang betul SEBELUM penggunaan selanjutnya.

**⚠️ PERHATIAN:** Jangan tarik tuil suis dengan kuat tanpa menarik tuil buka kunci. Ini boleh menyebabkan suis rosak.

**⚠️ PERHATIAN:** JANGAN jatuhkan atau mematikan dengan tujuan dan fungsi tuil buka kunci.

Untuk mengelakkan tuil suis daripada ditarik secara tidak sengaja, tuil buka kunci disediakan. Untuk memulakan alat, tarik tuil buka kunci ke arah pengendali dan kemudian tarik tuil suis. Untuk menghentikan alat, lepaskan tuil suis.

► **Rajah4:** 1. Tuil buka kunci 2. Tuil suis

## Fungsi elektronik

### Teknologi penderiaan Maklum Balas Aktif

**⚠️PERHATIAN:** Pegang alat dengan kukuh sehingga putaran berhenti.

Alat secara elektronik mengesan situasi di mana roda atau aksesori mungkin berdepan risiko dikekang. Dalam situasi sebegini, alat secara automatik mematikan kuasa bagi mencegah putaran spindel selanjutnya (ini tidak mencegah tolak keluar). Pada masa ini, lampu penunjuk berkelip merah untuk menunjukkan Teknologi penderiaan Maklum Balas Aktif berfungsi.

Untuk mula semula alat, matikan suis alat dahulu, keluarkan punca kejatuhan mengejut dalam kelajuan putaran, kemudian hidupkan alat.

### Fungsi pencegahan mula semula secara tidak sengaja

Apabila memasang alat semasa suis HIDUP, alat tidak bermula.

Pada masa ini, lampu penunjuk berkelip merah dan menunjukkan yang fungsi pencegahan mula semula secara tidak sengaja berfungsi.

Untuk memulakan alat, matikan dan hidupkan semula suis.

### Kawalan kelajuan malar

Berkemungkinan untuk mendapatkan kemasanan yang halus, kerana kelajuan putaran sentiasa malar walaupun di bawah keadaan berbeban.

### Ciri mula ringan

Pemulaan yang perlahan mengurangkan tindak balas mula.

## Brek mekanikal

*Hanya untuk model GA4593 / GA4594 / GA5093 / GA5094*

Brek mekanikal diaktifkan selepas alat dimatikan. Brek tidak berfungsi apabila bekalan kuasa ditutup dengan suis yang masih aktif.

## PEMASANGAN

**⚠️PERHATIAN:** Sentiasa pastikan alat dimatikan dan palamnya dicabut sebelum menjalankan apa-apa kerja pada alat.

### Memasang genggamannya sisi (pemegang)

**⚠️PERHATIAN:** Sentiasa pastikan genggamannya sisi dipasang dengan kukuh sebelum operasi.

Skrus genggamannya sisi dengan kukuh pada kedudukan alat seperti yang ditunjukkan dalam rajah.

► **Rajah5**

### Memasang atau menanggalkan pengadang roda

**⚠️AMARAN:** Apabila menggunakan roda tengah lekuk, cakera flap, roda fleksibel atau berus roda wayar, pengadang roda mesti dipasang pada alat itu supaya bahagian tertutup pengadang sentiasa menunjuk ke arah pengendali.

**⚠️AMARAN:** Pastikan pengadang roda dikunci dengan selamat oleh tuil kunci dengan salah satu lubang pada pengadang roda.

**⚠️AMARAN:** Apabila menggunakan roda intan / pemotong lelas, pastikan anda menggunakan hanya pengadang roda khas yang direka untuk kegunaan dengan roda pemotong.

### Untuk roda tengah lekuk, cakera flap, roda fleksibel, berus roda wayar / roda potong pelelas, roda berlian

1. Semasa menolak tuil kunci, luncurkan pengadang roda dengan tokok pada pengadang roda selari dengan takuk pada kotak bearing.

► **Rajah6:** 1. Tuil kunci 2. Takuk 3. Tonjol

2. Semasa menolak tuil kunci ke arah A, tahan bahagian B pengadang roda seperti yang ditunjukkan dalam rajah.

► **Rajah7:** 1. Pengadang roda 2. Lubang

**NOTA:** Tolak ke bawah pengadang roda secara lurus. Jika tidak, anda tidak boleh mengukuhkan pengadang roda.

3. Semasa menolak tuil kunci ke arah A, putarkan pengadang roda ke arah C, kemudian tukar sudut pengadang roda mengikut kerja supaya pengendali dapat dilindungi. Jajarkan tuil kunci dengan salah satu lubang pada pengadang roda, kemudian lepaskan tuil kunci untuk mengunci pengadang roda.

► **Rajah8:** 1. Pengadang roda 2. Lubang

Untuk menanggalkan pengadang roda, ikut prosedur pemasangan secara terbalik.

## Pemasangan pengadang roda pemotongan klip

### Aksesori pilihan

**NOTA:** Untuk operasi pemotongan, pemasangan pengadang roda pemotongan klip boleh digunakan dengan pengadang roda (untuk roda pengisaran).

Tidak tersedia di beberapa negara.

### ► Rajah9

## Memasang atau mengeluarkan roda tengah lekuk atau cakera flap

### Aksesori pilihan

**⚠AMARAN:** Apabila menggunakan roda pusat lekuk atau cakera rata, pengadang roda mesti dipasang pada alat supaya sisi tertutup pengadang sentiasa menghala ke arah pengendali.

**⚠AMARAN:** Pastikan melekapkan bahagian pelekap bebibir dalam dengan diameter dalam roda pusat lekuk / cakera flap dengan sempurna. Melekapkan bebibir dalam di sebelah yang salah boleh mengakibatkan getaran berbahaya.

Lekapkan bebibir dalam kepada spindel. Pastikan muat dengan bahagian kemik bebibir dalam pada bahagian lurus di bahagian bawah spindel. Sesuaikan roda pusat lekuk / cakera flap pada bebibir dalam dan skru nat kunci kepada spindel.

► **Rajah10:** 1. Nat kunci 2. Roda tengah lekuk 3. Bebibir dalam 4. Melekapkan bahagian

Untuk mengetatkan nat kunci, tekan kunci aci dengan kukuh supaya spindel tidak dapat berputar, kemudian gunakan perengkuh nat kunci dan ketatkan mengikut arah jam dengan kemas.

► **Rajah11:** 1. Perengkuh nat kunci 2. Kunci aci

Untuk menanggalkan roda, ikut prosedur pemasangan secara terbalik.

## Memasang atau mengeluarkan roda fleksibel

### Aksesori pilihan

**⚠AMARAN:** Sentiasa guna pengadang yang dibekalkan apabila roda fleksibel berada pada alat. Roda boleh berkecai semasa digunakan dan pengadang membantu mengurangkan kemungkinan berlaku kecederaan diri.

► **Rajah12:** 1. Nat kunci 2. Roda fleksibel 3. Pad sandaran 4. Bebibir dalam

Ikuti arahan untuk roda tengah lekuk tetapi juga guna pad sandaran di atas roda.

## Memasang atau mengeluarkan cakera pelepas

### Aksesori pilihan

► **Rajah13:** 1. Nat kunci pemasangan 2. Cakera lelas 3. Pad getah

1. Lekapkan pad getah kepada spindel.
2. Sesuaikan cakera pada pad getah dan skru nat kunci pemasangan pada spindel.
3. Pegang spindel dengan kunci aci, dan mengetatkan kunci nat pemasangan ikut arah jarum jam dengan perengkuh nat kunci.

Untuk menanggalkan cakera, ikut prosedur pemasangan secara terbalik.

**NOTA:** Gunaan aksesori pemasir yang dinyatakan dalam manual ini. Aksesori ini mesti dibeli secara berasingan.

## Bebibir Super

### Aksesori pilihan

Hanya untuk model GA4595 / GA5095

Bebibir Super ialah aksesori khas untuk model yang TIDAK dilengkapi dengan fungsi brek. Hanya 1/3 usaha yang diperlukan untuk menanggalkan nat kunci, berbanding dengan jenis konvensional.

## Memasang dan menanggalkan Ezynut

### Aksesori pilihan

Hanya untuk alat yang mempunyai ulir spindel M14.

**⚠PERHATIAN:** Jangan gunakan Ezynut dengan Bebibir Super. Bebibir itu sangat tebal sehingga seluruh ulir tidak dapat dikekalkan oleh spindel.

Lekapkan bebibir dalam, roda lelas dan Ezynut pada spindel agar Logo Makita pada Ezynut menghadap ke luar.

► **Rajah14:** 1. Ezynut 2. Roda lelas 3. Bebibir dalam 4. Spindel

Tekan kunci aci dengan kuat dan ketatkan Ezynut dengan memutar roda lelas ikut arah jam sejauh ia boleh dipusingkan.

► **Rajah15:** 1. Kunci aci

Untuk melonggarkan Ezynut, pusing gelung luar Ezynut lawan arah jam.

**NOTA:** Ezynut boleh dilonggarkan menggunakan tangan selagi anak panah menghala ke takuk. Sebaliknya, perengkuh nat kunci diperlukan untuk melonggarkannya. Masukkan satu pin perengkuh ke dalam lubang dan pusing Ezynut lawan arah jam.

► **Rajah16:** 1. Anak panah 2. Takuk

► **Rajah17**



## Memasang pemotong lelas / roda intan

### Aksesori pilihan

**⚠️AMARAN:** Apabila menggunakan roda intan / pemotong lelas, pastikan anda menggunakan hanya pengadang roda khas yang direka untuk kegunaan dengan roda pemotong.

**⚠️AMARAN:** JANGAN SEKALI-KALI menggunakan roda pemotong untuk pengisaran sisi.

- **Rajah18:** 1. Nat kunci 2. Roda pemotongan pelepas / roda intan 3. Bibibir dalaman 4. Pengadang roda untuk roda pemotongan pelepas / roda intan

Untuk pemasangan, ikuti arahan untuk roda tengah lekuk.

Arahan untuk melekapkan nat kunci dan bibibir dalaman berbeza-beza mengikut jenis dan ketebalan roda.

Rujuk angka berikut.

Apabila memasang roda pemotongan pelepas:

- **Rajah19:** 1. Nat kunci 2. Roda pemotongan lelas (Lebih nipis daripada 4 mm (5/32")) 3. Roda pemotongan lelas (4 mm (5/32") atau lebih tebal) 4. Bibibir dalaman

Apabila memasang roda intan:

- **Rajah20:** 1. Nat kunci 2. Roda intan (Lebih nipis daripada 4 mm (5/32")) 3. Roda intan (4 mm (5/32") atau lebih tebal) 4. Bibibir dalaman

## Memasang berus cawan wayar

### Aksesori pilihan

**⚠️PERHATIAN:** Jangan gunakan berus yang telah rosak atau tidak seimbang. Penggunaan berus yang rosak boleh meningkatkan kemungkinan kecederaan berlaku daripada sentuhan dengan wayar berus yang rosak.

Letakkan alat terbalik untuk membolehkan akses mudah kepada spindel. Tanggalkan sebarang aksesori pada spindel. Masukkan berus cawan wayar ke dalam spindel dan ketatkan dengan perengkuh yang dibekalkan.

- **Rajah21:** 1. Berus cawan wayar

## Memasang berus roda wayar

### Aksesori pilihan

**⚠️PERHATIAN:** Jangan gunakan berus roda wayar yang telah rosak atau tidak seimbang. Penggunaan berus roda wayar yang rosak boleh meningkatkan kemungkinan kecederaan berlaku akibat tersentuh wayar yang rosak.

**⚠️PERHATIAN:** SENTIASA guna pengadang dengan berus roda wayar, memastikan diameter roda muat di dalam pengadang. Roda boleh berkecai semasa digunakan dan pengadang membantu mengurangkan kemungkinan berlaku kecederaan diri.

Letakkan alat terbalik untuk membolehkan akses mudah kepada spindel.

Tanggalkan sebarang aksesori pada spindel. Uliir berus roda wayar ke spindel dan ketatkan dengan sepana.

- **Rajah22:** 1. Berus roda wayar

## Memasang pemotong lubang

### Aksesori pilihan

Letakkan alat terbalik untuk membolehkan akses mudah kepada spindel.

Tanggalkan sebarang aksesori pada spindel. Uliirkan pemotong lubang pada spindel dan ketatkan dengan sepana yang dibekalkan.

- **Rajah23:** 1. Pemotong lubang

## Memasang pengadang roda kumpul habuk untuk pengisaran

### Aksesori pilihan

Dengan aksesori pilihan, anda boleh gunakan alat ini untuk mengetam permukaan konkrit.

**⚠️PERHATIAN:** Pengadang roda pengumpul habuk untuk roda intan offset hanya untuk kegunaan dalam pengetaman permukaan konkrit dengan roda intan offset. Jangan gunakan pengadang ini dengan sebarang aksesori pemotong lain atau untuk sebarang tujuan lain.

**⚠️PERHATIAN:** Sebelum operasi, pastikan pembersih vakum disambungkan ke alat dan dihidupkan.

Letakkan alat terbalik dan pasang pengadang roda kumpul habuk.

Lekapkan bibibir dalaman pada spindel.

Sesuaikan roda intan jenis cawan pada bibibir dalaman dan ketatkan nat kunci pada spindel.

- **Rajah24:** 1. Nat kunci 2. Roda intan jenis cawan 3. Roda intan jenis cawan berhub 4. Bibibir dalaman 5. Pengadang roda pengumpul habuk 6. Kotak galas

**NOTA:** Untuk mendapatkan maklumat tentang cara memasang pengadang roda kumpul habuk, rujuk manual pengadang roda kumpul habuk.

## Memasang pengadang roda kumpul habuk untuk pemotongan

### Aksesori pilihan

Dengan aksesori pilihan, anda boleh menggunakan alat ini untuk memotong bahan batu.

#### ► Rajah25

**NOTA:** Untuk mendapatkan maklumat tentang cara memasang pengadang roda kumpul habuk, rujuk manual pengadang roda kumpul habuk.

## Menyambungkan pembersih hampagas

### Aksesori pilihan

**⚠️AMARAN:** Jangan sekali-kali memvakum zarah logam yang tercipta oleh operasi pengisaran/pemotongan/pemasiran. Zarah logam yang dicipta oleh operasi sedemikian sangat panas sehingga ia menyalakan habuk dan penapis di dalam pembersih hampagas.

Untuk mengelakkan persekitaran yang berhabuk disebabkan oleh pemotongan batu, gunakan pengadang roda pengumpul habuk dan pembersih hampagas.

Rujuk kepada manual arahan yang dilampirkan pada pengadang roda pengumpul habuk untuk memasang dan menggunakannya.

- **Rajah26:** 1. Pengadang roda pengumpul habuk  
2. Hos pembersih hampagas

## Memasang atau menanggalkan penyambung penutup habuk

### Aksesori pilihan

**⚠️PERHATIAN:** Sentiasa pastikan alat dimatikan dan palam dicabut sebelum memasang atau menanggalkan penyambung penutup habuk. Kegagalan berbuat demikian boleh menyebabkan kerosakan pada alat dan mengakibatkan kecederaan diri.

Pasang pemasangan penutup habuk ke setiap kedudukan yang dikhususkan.

Untuk mendapatkan butiran, rujuk manual arahan pemasangan penutup habuk.

**NOTIS:** Bersihkan penyambung penutup habuk apabila ia tersumbat dengan habuk atau bendasing. Meneruskan operasi dengan penyambung penutup habuk yang tersumbat boleh merosakkan alat.

## OPERASI

**⚠️AMARAN:** Tidak perlu memaksa alat. Berat alat memberikan tekanan yang mencukupi. Pemaksaan dan tekanan berlebihan boleh menyebabkan bahaya pecahnya roda.

**⚠️AMARAN:** SENTIASA menggantikan roda jika alat terjatuh semasa mengisar.

**⚠️AMARAN:** JANGAN SESEKALI memukul bahan kerja dengan roda.

**⚠️AMARAN:** Elakkan roda daripada melantun dan terhalang, terutamanya bekerja di sudut, pinggir yang tajam dsb. Ini boleh menyebabkan hilang kawalan dan tolak keluar.

**⚠️AMARAN:** JANGAN SEKALI-KALI menggunakan alat dengan bilah pemotong kayu dan bilah gergaji yang lain. Bilah yang sedemikian apabila digunakan pada pengisar akan kerap menendang dan menyebabkan hilang kawalan yang menyebabkan kecederaan diri.

**⚠️AMARAN:** Penggunaan roda yang haus secara berterusan boleh mengakibatkan letupan roda dan kecederaan diri yang serius.

**⚠️PERHATIAN:** Jangan sekali-kali menghidupkan alat ketika ia bersentuhan dengan bahan kerja, ia boleh menyebabkan kecederaan kepada pengendali.

**⚠️PERHATIAN:** Sentiasa memakai gogal keselamatan atau pelindung muka semasa operasi.

**⚠️PERHATIAN:** Selepas operasi, sentiasa matikan alat dan tunggu sehingga roda berhenti sepenuhnya sebelum meletakkan alat di bawah.

**⚠️PERHATIAN:** SENTIASA memegang alat dengan kemas dengan satu tangan pada perumah dan satu lagi tangan pada pemegang sisi (pemegang).

**NOTA:** Roda dwiguna boleh digunakan untuk operasi pengisaran dan pemotongan.

Rujuk "Operasi dengan roda/cakera" untuk operasi pengisaran dan rujuk "Operasi dengan roda intan / pemotongan pelepas" untuk operasi pemotongan.

## Operasi dengan roda/cakera

### ► Rajah27

Menghidupkan alat pada dan kemudian menggunakan roda atau cakera untuk bahan kerja.

Secara umum, simpan tepi roda atau cakera pada sudut kira-kira 15° kepada permukaan bahan kerja. Semasa tempoh penukaran dengan roda baru, jangan gunakan pengisar pada arah hadapan atau ia boleh memotong dalam bahan kerja. Sebaik sahaja pinggir roda menjadi bulat setelah digunakan, roda mungkin berfungsi dalam kedua-dua arah kedepan dan kebelakang.

## Operasi dengan roda intan / pemotong lelas

### Aksesori pilihan

**⚠️AMARAN:** Jangan biarkan roda “tersekat” atau mengenakan tekanan berlebihan. Jangan cuba membuat kedalaman potongan yang berlebihan. Mengenaikan tekanan yang berlebihan kepada roda akan meningkatkan beban dan kecenderungan untuk berputar atau mengikat roda dalam potongan dan kemungkinan tolak keluar, kerosakan roda dan pemanasan motor yang melampaui boleh berlaku.

**⚠️AMARAN:** Jangan mulakan operasi pemotongan dalam bahan kerja. Biarkan roda mencapai kelajuan penuh dan berhati-hati masuk ke dalam potongan dan menggerakkan alat ke depan pada permukaan bahan kerja. Roda boleh terikat, berjalan atau tolak keluar jika alat kuasa dimulakan dalam bahan kerja.

**⚠️AMARAN:** Semasa operasi pemotongan, jangan sekali-kali mengubah sudut roda. Mengenaikan tekanan sisi pada roda pemotong (sebagaimana dalam pengisaran) akan menyebabkan roda retak dan pecah, seterusnya menyebabkan kecederaan diri yang serius.

**⚠️AMARAN:** Roda intan hendaklah dikendalikan tegak lurus kepada bahan yang sedang dipotong.

Contoh penggunaan: operasi dengan roda pemotongan pelepas

► Rajah28

Contoh penggunaan: operasi dengan roda intan

► Rajah29

## Operasi dengan berus cawan wayar

### Aksesori pilihan

**⚠️PERHATIAN:** Periksa operasi berus dengan menjalankan alat tanpa beban, memastikan bahawa tiada seorang pun di depan atau sebaris dengan berus.

Contoh penggunaan: operasi dengan berus cawan wayar

► Rajah30

**NOTIS:** Elak menggunakan terlalu banyak tekanan yang menyebabkan pembengkokan wayar yang lebih apabila menggunakan berus. Ia boleh menyebabkan kerosakan awal.

## Operasi dengan berus roda wayar

### Aksesori pilihan

**⚠️PERHATIAN:** Periksa operasi berus roda wayar dengan menjalankan alat tanpa beban, memastikan bahawa tiada seorang pun di depan atau sebaris dengan berus roda wayar.

Contoh penggunaan: operasi dengan berus roda wayar

► Rajah31

**NOTIS:** Elak menggunakan terlalu banyak tekanan yang menyebabkan pembengkokan wayar yang lebih apabila menggunakan berus roda wayar. Ia boleh menyebabkan kerosakan awal.

## Operasi dengan pemotong lubang

### Aksesori pilihan

**⚠️PERHATIAN:** Periksa operasi pemotong lubang dengan menjalankan alat tanpa beban, memastikan bahawa tiada seorang pun di hadapan pemotong lubang.

**NOTIS:** Jangan condongkan alat semasa operasi. Ia boleh menyebabkan kerosakan awal.

Contoh penggunaan: operasi dengan pemotong lubang

► Rajah32

## PENYELENGGARAAN

**⚠️PERHATIAN:** Sentiasa pastikan alat dimatikan dan palamnya dicabut sebelum cuba menjalankan pemeriksaan atau penyelenggaraan.

**NOTIS:** Jangan gunakan petrol, benzin, pencair, alkohol atau bahan yang serupa. Ia boleh menyebabkan perubahan warna, bentuk atau keretakan.

Untuk mengekalkan KESELAMATAN dan KEBOLEHPERCAYAAN produk, pembaikan, apa-apa penyelenggaraan atau penyesuaian lain perlu dilakukan oleh Kilang atau Pusat Servis Makita yang Diiktiraf, sentiasa gunakan alat ganti Makita.

## Pembersihan bolong udara

Alat dan bolong udaranya perlu sentiasa bersih. Bersihkan bolong udara alat dengan kerap atau apabila bolong tersebut mula tersekat.

► Rajah33: 1. Bolong ekzos 2. Bolong penyedutan

# GABUNGAN PENGGUNAAN DAN AKSESORI

## Aksesori pilihan

**⚠️ PERHATIAN:** Menggunakan alat dengan pengadang yang salah boleh menyebabkan risiko seperti berikut.

- Apabila menggunakan pengadang roda pemotongan untuk mengisar muka, pengadang roda mungkin mengganggu bahan kerja dan menyebabkan kawalan yang lemah.
- Apabila menggunakan pengadang roda pengisaran untuk operasi pemotongan dengan roda pelepas terikat dan roda intan, terdapat peningkatan risiko pendedahan kepada roda berputar, percikan dan zarah yang dipancarkan serta pendedahan kepada serpihan roda sekiranya roda pecah.
- Apabila menggunakan pengadang roda pemotongan atau pengadang roda pengisaran untuk operasi muka dengan roda intan jenis cawan, pengadang roda mungkin mengganggu bahan kerja dan menyebabkan kawalan yang lemah.
- Apabila menggunakan pengadang roda pemotongan atau pengadang roda pengisaran dengan berus wayar jenis roda dengan ketebalan lebih besar daripada ketebalan maksimum seperti yang dinyatakan dalam "SPESIFIKASI", wayar boleh menangkap pengadang yang membawa kepada wayar putus.
- Penggunaan pengadang roda kumpul habuk untuk operasi muka dan pemotongan di dalam konkrit atau batu mengurangkan risiko pendedahan kepada habuk.
- Apabila menggunakan roda bibir dwiguna yang dilekap (gabungan pengisaran dan pelepas pemotongan), hanya gunakan pengadang roda pemotongan.

## ► Rajah34

Hanya untuk model GA4593 / GA4594 / GA5093 / GA5094

	Penggunaan	Model 115 mm (4-1/2")	Model 125 mm (5")
1	-	Genggaman sisi	
2	-	Pengadang Roda (untuk roda pengisaran)	
3	-	Bebibir dalaman	
4	Pengisaran/Pemasiran	Roda tengah lekuk / Cakera flap	
5	-	Nat kunci	
6	-	Ezynut *1*2	
7	-	Pad sandaran	
8	Pengisaran/Pemasiran	Roda fleksibel	
9	-	Pad getah 100	Pad getah 115
10	Pemasiran	Cakera lelas	
11	-	Nat kunci pemasiran	
12	Pemberusan wayar	Berus roda wayar	
13	Pemberusan wayar	Berus cawan wayar	
14	Pemotongan lubang	Pemotong lubang	
15	-	Pengadang Roda (untuk roda pemotongan)	
16	Pemotongan	Roda pemotongan pelepas / Roda intan	
17	Pengisaran/Pemotongan	Roda dwiguna	
18	-	Pemasangan pengadang roda pemotongan klip *3	
19	-	Pengadang roda kumpul habuk untuk pemotongan	
20	Pemotongan	Roda intan	
21	-	Pengadang roda kumpul habuk untuk pengisaran	
22	Pengisaran	Roda intan jenis cawan	
-	-	Perengkuh nat kunci	
-	-	Pemasangan penutup habuk	

Hanya untuk model GA4595 / GA5095

	Penggunaan	Model 115 mm (4-1/2")	Model 125 mm (5")
1	-	Genggaman sisi	
2	-	Pengadang roda (untuk roda pengisaran)	
3	-	Bebibir dalaman / Bebibir Super *1*2	
4	Pengisaran/Pemasiran	Roda tengah lekuk / Cakera flap	
5	-	Nat kunci	
6	-	Ezynut *1*2	
7	-	Pad sandaran	
8	Pengisaran/Pemasiran	Roda fleksibel	
9	-	Pad getah 100	Pad getah 115
10	Pemasiran	Cakera lelas	
11	-	Nat kunci pemasiran	
12	Pemberusan wayar	Berus roda wayar	
13	Pemberusan wayar	Berus cawan wayar	
14	Pemotongan lubang	Pemotong lubang	
15	-	Pengadang roda (untuk roda pemotongan)	
16	Pemotongan	Roda pemotongan lelas / Roda intan	
17	Pengisaran/Pemotongan	Roda dwiguna	
18	-	Pemasangan pengadang roda pemotongan klip *3	
19	-	Pengadang roda pengumpul habuk untuk pemotongan	
20	Pemotongan	Roda intan	
21	-	Pengadang roda pengumpul habuk untuk pengisaran	
22	Pengisaran	Roda intan jenis cawan	
-	-	Perengkuh nat kunci	
-	-	Pemasangan penutup habuk	

**NOTA:** \*1 Jangan guna bebibir Super dan Ezynut bersama-sama.

**NOTA:** \*2 Hanya untuk alat dengan ulir spindel M14.

**NOTA:** \*3 Pemasangan pengadang roda pemotongan berklip tidak tersedia di beberapa negara. Untuk mendapatkan butiran lanjut, rujuk manual arahan pemasangan pengadang roda pemotongan berklip.

**NOTA:** Jangan gunakan bebibir Super dengan pengisar yang dilengkapi dengan fungsi brek.

## AKSESORI PILIHAN

**⚠️ PERHATIAN:** Aksesori-aksesori atau lampiran-lampiran ini adalah disyorkan untuk digunakan dengan alat Makita anda yang ditentukan dalam manual ini. Penggunaan mana-mana aksesori-aksesori atau lampiran-lampiran lain mungkin mengakibatkan risiko kecederaan kepada orang. Hanya gunakan aksesori atau lampiran untuk tujuan yang dinyatakan.

Jika anda memerlukan sebarang bantuan untuk maklumat lebih lanjut mengenai aksesori ini, tanya Pusat Perkhidmatan Makita tempatan anda.

- Aksesori disenaraikan dalam "GABUNGAN PENGGUNAAN DAN AKSESORI"

**NOTA:** Beberapa item dalam senarai mungkin disertakan dalam pakej alat sebagai aksesori standard. Item mungkin berbeza mengikut negara.

## THÔNG SỐ KỸ THUẬT

Kiểu máy:		GA4593	GA4594	GA4595	GA5093	GA5094	GA5095
Đĩa mài có thể áp dụng	Đường kính đĩa tối đa	115 mm			125 mm		
	Độ dày bánh xe tối đa	7,2 mm					
Đĩa cắt có thể áp dụng	Đường kính đĩa tối đa	115 mm			125 mm		
	Độ dày bánh xe tối đa	3,2 mm					
Chổi sắt dạng đĩa mài có thể áp dụng	Đường kính đĩa tối đa	115 mm			125 mm		
	Độ dày bánh xe tối đa	20 mm					
Ren cửa trụ quay		M14 hoặc 5/8" (tùy theo quốc gia)					
Chiều dài trụ quay tối đa		23 mm					
Tốc độ không tải ( $n_0$ ) / Tốc độ định mức (n)		11.500 min <sup>-1</sup>					
Chiều dài tổng thể		349 mm	326 mm	349 mm	349 mm	326 mm	326 mm
Khối lượng tịnh		2,8 - 4,0 kg	2,6 - 3,8 kg	2,9 - 4,0 kg	2,9 - 4,0 kg	2,7 - 3,8 kg	2,7 - 3,8 kg
Cấp an toàn		□/II					

- Do chương trình nghiên cứu và phát triển liên tục của chúng tôi nên các thông số kỹ thuật trong đây có thể thay đổi mà không cần thông báo trước.
- Các thông số kỹ thuật có thể thay đổi tùy theo từng quốc gia.
- Khối lượng máy có thể khác nhau tùy thuộc vào (các) phụ kiện. Tổ hợp nhẹ nhất và nặng nhất, theo Quy trình EPTA 01/2014, được trình bày trong bảng.

### Ký hiệu

Phần dưới đây cho biết các ký hiệu có thể được dùng cho thiết bị. Đảm bảo rằng bạn hiểu rõ ý nghĩa của các ký hiệu này trước khi sử dụng.



Đọc tài liệu hướng dẫn.



Mang kính an toàn.



Luôn vận hành bằng hai tay.



Không sử dụng phần bảo vệ đĩa cho các thao tác cắt.



CÁCH ĐIỆN CẤP 2



Chỉ dành cho các quốc gia EU

Do có các thành phần nguy hiểm bên trong thiết bị, thiết bị điện và điện tử đã qua sử dụng nên có thể có tác động không tốt đến môi trường và sức khỏe con người.

Không vứt bỏ thiết bị điện và điện tử cùng với rác thải sinh hoạt!

Theo Chỉ thị của Châu Âu về thiết bị điện và điện tử thải bỏ và sự thích ứng của nó với luật pháp quốc gia, thiết bị điện và điện tử đã qua sử dụng phải được thu gom riêng và chuyển đến một điểm thu gom rác thải đô thị riêng biệt, hoạt động theo các quy định về bảo vệ môi trường.

Điều này được biểu thị bằng biểu tượng thùng rác có bánh xe gạch chéo được đặt trên thiết bị.

### Mục đích sử dụng

Dụng cụ này được dùng để mài, chà nhám, đánh bóng kim loại, cắt lỗ, cắt kim loại và các vật liệu bằng đá mà không cần sử dụng nước.

### Nguồn cấp điện

Dụng cụ này chỉ được nối với nguồn cấp điện có điện áp giống như đã chỉ ra trên biển tên và chỉ có thể được vận hành trên nguồn điện AC đơn pha. Chúng được cách điện hai lớp và do đó cũng có thể được sử dụng từ các ổ cắm điện không có dây tiếp đất.

# CẢNH BÁO AN TOÀN

## Cảnh báo an toàn chung dành cho dụng cụ máy

**⚠CẢNH BÁO:** Xin đọc tất cả các cảnh báo an toàn, hướng dẫn, minh họa và thông số kỹ thuật đi kèm với dụng cụ máy này. Việc không tuân theo các hướng dẫn được liệt kê dưới đây có thể dẫn đến điện giật, hỏa hoạn và/hoặc thương tích nghiêm trọng.

## Lưu giữ tất cả cảnh báo và hướng dẫn để tham khảo sau này.

Thuật ngữ “dụng cụ máy” trong các cảnh báo đề cập đến dụng cụ máy (có dây) được vận hành bằng nguồn điện chính hoặc dụng cụ máy (không dây) được vận hành bằng pin của bạn.

### An toàn tại nơi làm việc

- Giữ nơi làm việc sạch sẽ và có đủ ánh sáng.** Nơi làm việc bừa bộn hoặc tối thường dễ gây ra tai nạn.
- Không vận hành dụng cụ máy trong môi trường cháy nổ, ví dụ như môi trường có sự hiện diện của các chất lỏng, khí hoặc bụi dễ cháy.** Các dụng cụ máy tạo tia lửa điện có thể làm bụi hoặc khí bốc cháy.
- Giữ trẻ em và người ngoài tránh xa nơi làm việc khi đang vận hành dụng cụ máy.** Sự xao lãng có thể khiến bạn mất khả năng kiểm soát.

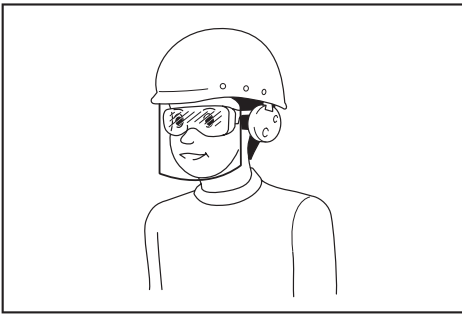
### An toàn về Điện

- Phích cắm của dụng cụ máy phải khớp với ổ cắm.** Không được sửa đổi phích cắm theo bất kỳ cách nào. Không sử dụng bất kỳ phích chuyển đổi nào với các dụng cụ máy được nối đất (tiếp đất). Các phích cắm còn nguyên vẹn và ổ cắm phù hợp sẽ giảm nguy cơ điện giật.
- Tránh để cơ thể tiếp xúc với các bề mặt nóng đất hoặc tiếp đất như đường ống, bộ tản nhiệt, bếp ga và tủ lạnh.** Nguy cơ bị điện giật sẽ tăng lên nếu cơ thể bạn được nối đất hoặc tiếp đất.
- Không để dụng cụ máy tiếp xúc với mưa hoặc trong điều kiện ẩm ướt.** Nước lọt vào dụng cụ máy sẽ làm tăng nguy cơ điện giật.
- Không làm dụng cụ máy điện.** Không được phép sử dụng dây để mang, kéo hoặc tháo phích cắm dụng cụ máy. Giữ dây tránh xa nguồn nhiệt, dầu, các mép sắc hoặc các bộ phận chuyển động. Dây bị hỏng hoặc bị rối sẽ làm tăng nguy cơ điện giật.
- Khi vận hành dụng cụ máy ngoài trời, hãy sử dụng dây kéo dài phù hợp cho việc sử dụng ngoài trời.** Việc dùng dây phù hợp cho việc sử dụng ngoài trời sẽ giảm nguy cơ điện giật.
- Nếu bất buộc phải vận hành dụng cụ máy ở nơi ẩm ướt, hãy sử dụng nguồn cấp điện được bảo vệ bằng thiết bị ngắt dòng điện rò (RCD).** Việc sử dụng RCD sẽ làm giảm nguy cơ điện giật.

- Chúng tôi luôn khuyên bạn sử dụng nguồn cấp điện qua thiết bị RCD có thể ngắt dòng điện rò định mức 30 mA hoặc thấp hơn.**
- Các dụng cụ máy có thể tạo ra từ trường điện (EMF) có hại cho người dùng.** Tuy nhiên, người dùng máy trợ tim và những thiết bị y tế tương tự khác nên liên hệ với nhà sản xuất thiết bị và/hoặc bác sĩ để được tư vấn trước khi vận hành dụng cụ này.
- Không chạm vào đầu cắm điện bằng tay ướt.**
- Nếu dây bị hỏng, hãy nhờ nhà sản xuất hoặc đại lý thay dây mới để tránh nguy hiểm về an toàn.**

### An toàn Cá nhân

- Luôn tỉnh táo, quan sát những việc bạn đang làm và sử dụng những phán đoán theo kinh nghiệm khi vận hành dụng cụ máy.** Không sử dụng dụng cụ máy khi bạn đang mệt mỏi hoặc chịu ảnh hưởng của ma túy, rượu hay thuốc. Chỉ một khoảnh khắc không tập trung khi đang vận hành dụng cụ máy cũng có thể dẫn đến thương tích cá nhân nghiêm trọng.
- Sử dụng thiết bị bảo hộ cá nhân.** Luôn đeo thiết bị bảo vệ mắt. Các thiết bị bảo hộ như mũ bảo hộ chống bụi, giày an toàn chống trượt, mũ bảo hộ hay thiết bị bảo vệ thính giác được sử dụng trong các điều kiện thích hợp sẽ giúp giảm thương tích cá nhân.
- Tránh vô tình khởi động dụng cụ máy.** Đảm bảo công tắc ở vị trí off (tắt) trước khi nối nguồn điện và/hoặc bộ pin, cầm hoặc di chuyển dụng cụ máy. Việc di chuyển dụng cụ máy khi đang đặt ngón tay ở vị trí công tắc hoặc cấp điện cho dụng cụ máy đang bật thường dễ gây ra tai nạn.
- Tháo tất cả các khóa hoặc cờ lê điều chỉnh trước khi bật dụng cụ máy.** Việc cờ lê hoặc khóa vẫn còn gắn vào bộ phận quay của dụng cụ máy có thể dẫn đến thương tích cá nhân.
- Không vượt quá cao.** Luôn giữ thăng bằng tốt và có chỗ để chân phù hợp. Điều này cho phép điều khiển dụng cụ máy tốt hơn trong những tình huống bất ngờ.
- Ăn mặc phù hợp.** Không mặc quần áo rộng hay đeo đồ trang sức. Giữ tóc và quần áo tránh xa các bộ phận chuyển động. Quần áo rộng, đồ trang sức hay tóc dài có thể mắc vào các bộ phận chuyển động.
- Nếu các thiết bị được cung cấp để kết nối các thiết bị thu gom và hút bụi, hãy đảm bảo chúng được kết nối và sử dụng hợp lý.** Việc sử dụng thiết bị thu gom bụi có thể làm giảm những mối nguy hiểm liên quan đến bụi.
- Không vì quen thuộc do thường xuyên sử dụng các dụng cụ mà cho phép bạn trở nên tự mãn và bỏ qua các nguyên tắc an toàn dụng cụ.** Một hành động bất cẩn có thể gây ra thương tích nghiêm trọng trong một phần của một giây.
- Luôn luôn mang kính bảo hộ để bảo vệ mắt khỏi bị thương khi đang sử dụng các dụng cụ máy.** Kính bảo hộ phải tuân thủ ANSI Z87.1 ở Mỹ, EN 166 ở Châu Âu, hoặc AS/NZS 1336 ở Úc/New Zealand. Tại Úc/New Zealand, theo luật pháp, bạn cũng phải mang mặt nạ che mặt để bảo vệ mặt.



Trách nhiệm của chủ lao động là bắt buộc người vận hành dụng cụ và những người khác trong khu vực làm việc cảnh đó phải sử dụng các thiết bị bảo hộ an toàn thích hợp.

#### Sử dụng và bảo quản dụng cụ máy

1. Không dùng lực đối với dụng cụ máy. Sử dụng đúng dụng cụ máy cho công việc của bạn. Sử dụng đúng dụng cụ máy sẽ giúp thực hiện công việc tốt hơn và an toàn hơn theo giá trị định mức được thiết kế của dụng cụ máy đó.
2. Không sử dụng dụng cụ máy nếu công tắc không bật và tắt được dụng cụ máy đó. Mọi dụng cụ máy không thể điều khiển được bằng công tắc đều rất nguy hiểm và phải được sửa chữa.
3. Rút phích cắm ra khỏi nguồn điện và/hoặc tháo kết nối bộ pin khỏi dụng cụ máy, nếu có thể tháo rời trước khi thực hiện bất kỳ công việc điều chỉnh, thay đổi phụ tùng hay cất giữ dụng cụ máy nào. Những biện pháp an toàn phòng ngừa này sẽ giảm nguy cơ vô tình khởi động dụng cụ máy.
4. Cất giữ các dụng cụ máy không sử dụng ngoài tầm với của trẻ em và không cho bất kỳ người nào không có hiểu biết về dụng cụ máy hoặc các hướng dẫn này vận hành dụng cụ máy. Dụng cụ máy sẽ rất nguy hiểm nếu được sử dụng bởi những người dùng chưa qua đào tạo.
5. Bảo dưỡng dụng cụ máy và các phụ kiện. Kiểm tra tình trạng lệch trục hoặc bó kẹt của các bộ phận chuyển động, hiện tượng nứt vỡ của các bộ phận và mọi tình trạng khác mà có thể ảnh hưởng đến hoạt động của dụng cụ máy. Nếu có hỏng hóc, hãy sửa chữa dụng cụ máy trước khi sử dụng. Nhiều tai nạn xảy ra là do không bảo quản tốt dụng cụ máy.
6. Luôn giữ cho dụng cụ cất được sắc bén và sạch sẽ. Những dụng cụ cất được bảo quản tốt có mép cắt sắc sẽ ít bị kẹt hơn và dễ điều khiển hơn.
7. Sử dụng dụng cụ máy, phụ tùng và đầu dụng cụ cắt, v.v... theo các hướng dẫn này, có tính đến điều kiện làm việc và công việc được thực hiện. Việc sử dụng dụng cụ máy cho các công việc khác với công việc dự định có thể gây nguy hiểm.
8. Giữ tay cầm và bề mặt tay cầm khô, sạch, không dính dầu và mỡ. Tay cầm trơn trượt và bề mặt tay cầm không cho phép xử lý an toàn và kiểm soát dụng cụ trong các tình huống bất ngờ.

9. Khi sử dụng dụng cụ, không được đi giày tay lao động bằng vải, có thể bị vướng. Việc giày tay lao động bằng vải vướng vào các bộ phận chuyển động có thể gây ra thương tích cá nhân.

#### Bảo dưỡng

1. Để nhân viên sửa chữa đủ trình độ bảo dưỡng dụng cụ máy của bạn và chỉ sử dụng các bộ phận thay thế đồng nhất. Việc này sẽ đảm bảo duy trì được độ an toàn của dụng cụ máy.
2. Tuân theo hướng dẫn dành cho việc bôi trơn và thay phụ tùng.

### Cảnh báo an toàn đối với máy mài

Cảnh báo an toàn chung cho các thao tác mài, chà nhám, đánh bàn chải kim loại hoặc cắt:

1. Dụng cụ máy này có chức năng như một máy mài, máy chà nhám, chải kim loại, máy cắt lỗ hoặc dụng cụ cắt. Vui lòng đọc tất cả các cảnh báo an toàn, hướng dẫn, minh họa và thông số kỹ thuật đi kèm với dụng cụ máy này. Việc không tuân theo các hướng dẫn được liệt kê dưới đây có thể dẫn đến điện giật, hỏa hoạn và/hoặc thương tích nghiêm trọng.
2. Các thao tác như đánh bóng không được thực hiện bằng dụng cụ máy này. Các thao tác mà dụng cụ máy này không được thiết kế để thực hiện có thể tạo ra nguy hiểm và gây thương tích cá nhân.
3. Không chuyển đổi dụng cụ máy này để vận hành theo cách không được nhà sản xuất dụng cụ thiết kế và quy định cụ thể. Việc chuyển đổi này có thể dẫn đến mất kiểm soát và gây ra thương tích cá nhân nghiêm trọng.
4. Không sử dụng các phụ kiện không được nhà sản xuất dụng cụ thiết kế và quy định cụ thể. Bởi nếu có thể gắn phụ kiện đó vào dụng cụ máy của bạn thì điều đó hoàn toàn không đảm bảo việc vận hành máy an toàn.
5. Tốc độ định mức của phụ kiện ít nhất phải bằng tốc độ tối đa được đánh dấu trên dụng cụ máy này. Các phụ kiện chạy nhanh hơn tốc độ định mức của chúng có thể bị vỡ và bay ra ngoài.
6. Đường kính bên ngoài và độ dày của phụ kiện phải nằm trong mức đánh giá công suất của dụng cụ máy của bạn. Các phụ kiện có kích thước không chính xác không thể được bảo vệ hoặc kiểm soát một cách đầy đủ.
7. Kích thước của bộ lắp ghép phụ kiện phải khớp với kích thước của phần cứng lắp ghép của dụng cụ máy. Các phụ kiện không khớp với phần kim loại lắp ghép của dụng cụ máy sẽ bị cần bẻ, rung động quá mức và có thể gây ra mất kiểm soát.



8. **Không sử dụng phụ kiện đã hư hỏng.** Trước mỗi lần sử dụng, kiểm tra phụ kiện như đĩa nhám xem có các mảnh vụn và vết nứt hay không, tấm đặt lót xem có nứt gãy hoặc bị ăn mòn quá mức không, sợi kim loại của chổi sắt kim loại có bị lỏng hoặc nứt không. Nếu dụng cụ máy hoặc phụ kiện bị rơi, hãy kiểm tra xem có hư hỏng hay không hoặc lắp lại phụ kiện không bị hư hại. Sau khi kiểm tra và lắp đặt phụ kiện, hãy tìm chỗ đứng cho bàn thân mình và những người xung quanh để tránh xa mặt phẳng phụ kiện quay và chạy dụng cụ máy này ở tốc độ không tải tối đa trong vòng một phút. Phụ kiện bị hư hỏng thông thường sẽ bị vỡ trong thời gian thử nghiệm này.
9. **Mang thiết bị bảo hộ cá nhân.** Tuy thuộc vào mạng sử dụng máy, hãy dùng mũ bảo vệ mặt, kính bảo hộ hoặc kính an toàn. Khi thích hợp, hãy mang mặt nạ chống bụi, dụng cụ bảo vệ thính giác, găng tay và tạp dề làm việc có khả năng ngăn chặn các mảnh mài mòn hoặc mảnh vỡ từ phôi gia công. Thiết bị bảo vệ mắt phải có khả năng ngăn chặn các mảnh vụn bay ra phát sinh từ các ứng dụng công việc khác nhau. Mặt nạ chống bụi hoặc khẩu trang phải có khả năng lọc các hạt do ứng công việc tạo ra. Tiếp xúc kéo dài với tiếng ồn có cường độ cao có thể gây ra mất thính giác.
10. **Giữ những người xung quanh tránh xa nơi làm việc ở một khoảng cách an toàn.** Bắt cứ ai bước vào khu vực làm việc đều phải đeo thiết bị bảo hộ cá nhân. Các mảnh vỡ của phôi gia công hoặc phụ kiện bị vỡ có thể bắn ra và gây thương tích bên ngoài khu vực thao tác cạnh đó.
11. **Chỉ cầm dụng cụ máy bằng bề mặt kẹp cách điện khi thực hiện một thao tác trong đó bộ phận cắt có thể tiếp xúc với dây dẫn kín hoặc dây của chính nó.** Phụ kiện cắt tiếp xúc với dây dẫn "có điện" có thể khiến các bộ phận kim loại bị hở của dụng cụ máy "có điện" và làm cho người vận hành bị điện giật.
12. **Đặt dây dẫn không để vướng phụ kiện quay.** Nếu bạn bị mất kiểm soát, dây dẫn có thể bị cắt hoặc bị quấn và bàn tay hoặc cánh tay của bạn có thể bị kéo vào phụ kiện quay đó.
13. **Không bao giờ đặt dụng cụ máy xuống cho đến khi phụ kiện đã dừng hẳn.** Phụ kiện quay có thể quán lấy bề mặt và kéo dụng cụ máy vượt khỏi tầm kiểm soát của bạn.
14. **Không được chạy dụng cụ máy trong lúc đang mang dụng cụ bên hông bạn.** Tiếp xúc bất ngờ với phụ kiện quay có thể quán lấy quần áo của bạn, kéo phụ kiện vướng vào người bạn.
15. **Thường xuyên làm sạch các lỗ thông hơi của dụng cụ máy.** Quạt của động cơ sẽ thu hút bụi vào bên trong vỏ và nhiều bột kim loại tích tụ có thể gây ra các nguy hiểm về điện.
16. **Không vận hành dụng cụ máy gần các vật liệu dễ cháy.** Các tia lửa có thể kích cháy các vật liệu này.
17. **Không sử dụng các phụ kiện có yêu cầu chất làm mát dạng lỏng.** Sử dụng chất làm mát bằng nước hoặc chất lỏng khác có thể dẫn đến điện giật hoặc sốc.

#### **Lực đẩy ngược và cảnh báo liên quan:**

Lực đẩy ngược là phản ứng bất ngờ đối với đĩa, tấm đặt lót, chổi hoặc bất cứ phụ kiện nào khác đang quay nhưng bị kẹt hoặc bị quán. Việc bị kẹt hoặc quán sẽ làm phụ kiện đang quay bị dừng nhanh chóng và do đó dụng cụ máy không kiểm soát được sẽ bị buộc phải theo hướng đối diện hướng quay của phụ kiện tại điểm bị ràng buộc.

Ví dụ, nếu đĩa nhám bị quán hoặc kẹt bởi phôi gia công, phần mép của đĩa đang đi vào điểm kẹt có thể cày xới bề mặt vật liệu làm đĩa nhám trượt hoặc văng ra ngoài. Đĩa nhám có thể hoặc bật ra về gần hoặc xa khỏi người vận hành, tùy thuộc vào hướng chuyển động của đĩa nhám tại điểm kẹt. Đĩa nhám cũng có thể bị vỡ trong những tình trạng sau.

Lực đẩy ngược là kết quả của việc sử dụng dụng cụ máy không đúng và/hoặc do các quy trình vận hành hoặc các điều kiện không chính xác và có thể tránh được bằng cách thực hiện các biện pháp phòng ngừa thích hợp như được nêu dưới đây.

1. **Luôn cầm chắc dụng cụ máy bằng cả hai tay và chọn thế đứng và vị trí tay cầm để cho phép bạn chống lại lực đẩy ngược.** Luôn sử dụng tay cầm phụ, nếu được cung cấp, để kiểm soát tối đa lực đẩy ngược hoặc mô-men xoắn trong lúc khởi động. Người vận hành máy có thể kiểm soát mô-men xoắn hay lực đẩy ngược nếu thực hiện các biện pháp phòng ngừa đúng cách.
2. **Không bao giờ đặt tay bạn gần phụ kiện quay.** Phụ kiện có thể quay ngược lại lên tay bạn.
3. **Không đứng tại vị trí nơi dụng cụ máy sẽ bị đẩy tới nếu xảy ra lực đẩy ngược.** Lực đẩy ngược sẽ làm xoay dụng cụ theo hướng ngược lại chuyển động của đĩa tại vị trí bị quán.
4. **Cần đặc biệt cẩn thận khi thao tác với các cạnh góc, mép sắc, v.v...** Tránh làm dội ra và quán vào phụ kiện. Các góc, mép sắc hoặc dội ra có xu hướng quán lấy phụ kiện đang quay và gây mất kiểm soát hoặc tạo lực đẩy ngược.
5. **Không gắn xích cưa, lưỡi khắc gỗ, đĩa mài kim cương hình quạt với khoảng cách ngoài vi lớn hơn 10 mm hoặc đính kèm lưỡi cưa có răng.** Các loại lưỡi như vậy thường tạo ra lực đẩy ngược và dễ mất kiểm soát.

#### **Cảnh báo an toàn cụ thể cho thao tác mài và cắt:**

1. **Chỉ sử dụng các loại đĩa được chỉ định cho dụng cụ máy của bạn và phần bảo vệ cụ thể được thiết kế cho đĩa được chọn.** Các đĩa mà dụng cụ máy này không được thiết kế cho chúng sẽ không thể được bảo vệ đầy đủ và thường không an toàn.
2. **Bề mặt tay cầm của đĩa mài trung tâm bị nén xuống phải được gắn dưới mặt phẳng của mép phần bảo vệ.** Đĩa gắn không đúng cách nhô ra khỏi mặt phẳng của mép phần bảo vệ sẽ không thể được bảo vệ đầy đủ.
3. **Phần bảo vệ phải được gắn chặt vào dụng cụ máy và được để ở vị trí an toàn tối đa, do đó số đĩa tiếp xúc với người vận hành là ít nhất.** Phần bảo vệ giúp bảo vệ người vận hành khỏi mảnh vỡ từ đĩa bị vỡ, tiếp xúc bất ngờ với đĩa và các tia lửa có thể kích cháy quần áo.

4. **Chỉ sử dụng đĩa cho các ứng dụng cụ thể. Ví dụ: không mài mặt bên của đĩa cắt.** Đĩa cắt nhám được dùng để mài ngoại vi, tác dụng lực mặt bên lên những đĩa này có thể khiến chúng vỡ vụn.
5. **Luôn sử dụng vành đĩa không bị hư hại có kích thước và hình dạng chính xác cho đĩa bạn đã chọn.** Các vành đĩa phù hợp sẽ hỗ trợ đĩa giảm bớt khả năng bị vỡ đĩa. Các vành dành cho đĩa cắt có thể khác với các vành dành cho đĩa.
6. **Không sử dụng các đĩa đã bị mài mòn từ các dụng cụ máy lớn hơn.** Đĩa dùng cho dụng cụ máy lớn hơn sẽ không phù hợp với tốc độ cao hơn của dụng cụ nhỏ hơn và có thể nổ.
7. **Khi sử dụng đĩa có mục đích kép, luôn sử dụng đúng phần bảo vệ cho ứng dụng đang được thực hiện.** Không sử dụng đúng phần bảo vệ có thể không cung cấp mức độ bảo vệ mong muốn, điều này có thể dẫn đến thương tích nghiêm trọng.

#### **Cảnh báo an toàn bổ sung chỉ định cho thao tác cắt:**

1. **Không làm “kẹt” đĩa cắt hoặc dùng lực quá nhiều. Không cố thực hiện chiều sâu cắt quá mức.** Dùng lực quá nhiều lên đĩa sẽ làm tăng tải trọng và dễ bị xoắn hoặc bó kẹt đĩa khi cắt và có khả năng đẩy ngược hoặc vỡ đĩa.
2. **Không được để cơ thể bạn thẳng hàng và phía sau đĩa đang quay.** Khi đĩa, ở điểm vận hành, đang di chuyển ra xa cơ thể bạn, lực bật ngược có thể xảy ra có thể có thể đẩy đĩa quay và dụng cụ máy trực tiếp về phía bạn.
3. **Khi đĩa bị bó kẹt hoặc khi đường cắt bị gián đoạn vì bất kỳ lý do nào, hãy tắt dụng cụ máy và giữ dụng cụ đứng im cho đến khi đĩa hoàn toàn dừng lại. Không được cố gỡ đĩa cắt ra khỏi đường cắt khi đĩa vẫn đang chuyển động nếu không có thể xảy ra hiện tượng bật ngược lại.** Kiểm tra và tiến hành khắc phục để loại bỏ nguyên nhân gây bó kẹt đĩa.
4. **Không khởi động lại thao tác cắt trong phôi gia công. Để đĩa đạt đến tốc độ tối đa và cẩn thận nhập lại đường cắt.** Đĩa có thể bị bó kẹt, bật lên hoặc bật ngược lại nếu dụng cụ máy được khởi động lại trong phôi gia công.
5. **Đỡ tấm ván hoặc phôi gia công có kích thước quá lớn để giảm thiểu nguy cơ làm kẹt bó đĩa và bật ngược lại.** Phôi gia công lớn thường có xu hướng võng xuống do khối lượng của nó. Phải đặt các giá đỡ dưới phôi gia công gần đường cắt và gần cạnh của phôi gia công ở cả hai phía của đĩa.
6. **Đặc biệt cẩn trọng khi thực hiện “cắt luân” vào các tường có sẵn hoặc các vùng khó nhìn khác.** Đĩa nhỏ ra có thể cắt phải ống ga hoặc ống nước, dây điện hoặc các vật có khả năng gây nên hiện tượng bật lại.
7. **Không cố cắt cong.** Dùng lực quá nhiều lên đĩa sẽ làm tăng tải trọng và dễ bị xoắn hoặc bó kẹt đĩa khi cắt và có khả năng đẩy ngược hoặc vỡ đĩa, có thể dẫn đến thương tích nghiêm trọng.
8. **Trước khi sử dụng đĩa mài kim cương hình quạt, phải đảm bảo đĩa mài kim cương có khoảng cách ngoại vi giữa các chạc bánh răng là 10 mm hoặc ít hơn, chỉ với một góc nghiêng âm.**

#### **Cảnh báo an toàn cụ thể cho thao tác chà nhám:**

1. **Sử dụng giấy chà nhám dạng đĩa có kích thước phù hợp. Làm theo các khuyến nghị của nhà sản xuất khi lựa chọn giấy nhám.** Giấy nhám lớn hơn mở rộng ra khỏi tấm đánh nhám quá xa sẽ có nguy cơ rách và có thể gây quần, xé rách đĩa hoặc tạo lực đẩy ngược.

#### **Cảnh báo an toàn chỉ định cho thao tác đánh bàn chải kim loại:**

1. **Cần biết rằng các sợi lông cứng bằng kim loại sẽ bị văng ra khỏi chổi ngay cả trong quá trình vệ sinh bình thường. Không dùng lực ứng suất vượt tải lên sợi kim loại bằng cách áp tải quá mức lên chổi.** Các sợi lông cứng bằng kim loại có thể dễ dàng xuyên qua quần áo mỏng và/hoặc da.
2. **Nếu sử dụng phần bảo vệ được chỉ định để đánh bàn chải kim loại, không để cho bất kỳ đĩa sợi hoặc chổi sắt nào vướng vào phần bảo vệ.** Đĩa sợi hoặc chổi sắt có thể mở rộng đường kính do tải trọng công việc và lực ly tâm.

#### **Cảnh báo an toàn bổ sung:**

1. **Khi sử dụng đĩa mài trung tâm bị nén xuống, hãy chắc chắn là bạn chỉ sử dụng đĩa mài có sợi thủy tinh gia cố.**
2. **KHÔNG BAO GIỜ SỬ DỤNG đĩa mài loại Nấp chụp bằng đá cho máy mài này.** Máy mài này không được thiết kế cho những loại đĩa mài này và việc sử dụng một sản phẩm như vậy có thể gây thương tích cá nhân nghiêm trọng.
3. **Cẩn thận không được làm hồng trụ quay, mặt bích (đặc biệt là bề mặt lắp đặt) hoặc đai ốc khóa. Hư hỏng đối với các bộ phận này có thể dẫn đến vỡ đĩa mài.**
4. **Phải đảm bảo rằng đĩa mài không tiếp xúc với phôi gia công trước khi bật công tắc lên.**
5. **Trước khi sử dụng dụng cụ này trên phôi gia công thực, hãy để dụng cụ chạy trong ít phút. Theo dõi sự rung động hoặc đu đưa qua lại có thể cho thấy việc lắp đặt không đạt yêu cầu hoặc đĩa mài được cân bằng kém.**
6. **Sử dụng bề mặt của đầu mài chỉ định để thực hiện mài.**
7. **Không để mặc dụng cụ hoạt động. Chỉ vận hành dụng cụ khi cầm trên tay.**
8. **Không chạm vào phôi gia công ngay sau khi vận hành; chúng có thể rất nóng và có thể gây bỏng da.**
9. **Không chạm vào phụ kiện ngay sau khi vận hành; chúng có thể rất nóng và có thể gây bỏng da.**
10. **Tuân thủ các hướng dẫn của nhà sản xuất để gắn và sử dụng chính xác các đĩa mài. Xử lý và lưu trữ các đĩa mài cẩn thận.**
11. **Không sử dụng các ống đệm giảm thiểu rung động hoặc các bộ tiếp nối để lắp các đĩa nhám có lỗ lớn vào.**
12. **Chỉ sử dụng các mặt bích được quy định cho dụng cụ này.**
13. **Đối với các dụng cụ dự định sẽ được trang bị đĩa mài lỗ có ren, đảm bảo rằng các ren trong đĩa mài đủ dài để chấp nhận chiều dài trục quay.**

14. Kiểm tra xem phôi gia công đã được kê đỡ đầy đủ chưa.
15. Chú ý rằng đĩa mài sẽ tiếp tục quay sau khi tắt dụng cụ.
16. Nếu nơi làm việc rất nóng và ẩm ướt, hoặc bị ô nhiễm nặng bởi bụi dẫn điện, hãy dùng bộ ngắt điện đoạn mạch (30 mA) để bảo đảm an toàn cho người vận hành.
17. Không dùng dụng cụ này trên bất kỳ vật liệu nào có chứa amiăng.
18. Khi sử dụng đĩa cắt, luôn làm việc bằng chụp bảo vệ có công thoát bụi nếu bắt buộc theo quy định trong nước.
19. Đĩa cắt không phải chịu bất kỳ áp lực bên nào.
20. Không sử dụng găng tay làm việc bằng vải trong khi vận hành. Sợi từ găng tay bằng vải có thể đi vào dụng cụ, làm dụng cụ hư hỏng.
21. Trước khi vận hành, đảm bảo rằng không có vật bị chôn vùi như ống điện, ống nước hoặc ống dẫn khí trong phôi gia công. Nếu không, việc này có thể gây ra điện giật, rò rỉ điện hoặc rò rỉ gas.
22. Nếu bàn đệm được gắn vào đĩa, không được tháo bàn đệm ra. Đường kính của bàn đệm phải lớn hơn đai ốc khóa, vành ngoài và vành trong.
23. Trước khi lắp đĩa, luôn kiểm tra để đảm bảo bộ phận bàn đệm không có bất kỳ bất thường nào như có mảnh vỡ hoặc vết nứt.
24. Vặn chặt đai ốc khóa đúng cách. Vặn đĩa quá chặt có thể gây vỡ và vặn không đủ chặt có thể gây dao động.

## LƯU GIỮ CÁC HƯỚNG DẪN NÀY.

**⚠CẢNH BÁO:** KHÔNG vì đã thoải mái hay quen thuộc với sản phẩm (có được do sử dụng nhiều lần) mà không tuân thủ nghiêm ngặt các quy định về an toàn dành cho sản phẩm này. **VIỆC DÙNG SAI** hoặc không tuân theo các quy định về an toàn được nêu trong tài liệu hướng dẫn này có thể dẫn đến thương tích cá nhân nghiêm trọng.

## MÔ TẢ CHỨC NĂNG

**⚠THẬN TRỌNG:** Luôn bảo đảm rằng dụng cụ được tắt điện và rút phích cắm trước khi điều chỉnh hoặc kiểm tra chức năng của dụng cụ.

### Hệ thống bảo vệ dụng cụ

Dụng cụ này được trang bị hệ thống bảo vệ dụng cụ. Hệ thống này sẽ tự động giảm điện năng hoặc ngắt nguồn điện đến động cơ để kéo dài tuổi thọ dụng cụ. Dụng cụ sẽ tự động giảm điện năng hoặc dừng vận hành khi dụng cụ ở một trong những trường hợp sau đây:

## Bảo vệ quá tải

Khi vận hành dụng cụ trong điều kiện làm máy tiêu tốn dòng cao bất thường, dụng cụ sẽ tự động giảm điện năng mà không có bất cứ dấu hiệu nào. Trong tình huống này, hãy loại bỏ nguyên nhân gây quá tải để tốc độ quay được khôi phục.

## Bảo vệ quá nhiệt

### Tùy theo quốc gia

Khi bị quá nhiệt, dụng cụ sẽ tự động dừng và đèn chỉ báo sẽ nhấp nháy màu đỏ. Trong tình huống này, hãy để dụng cụ nguội dần. Bạn có thể bật dụng cụ lại sau khi đèn đổi màu từ màu đỏ sang màu xanh lá.

## Đèn chỉ báo

► **Hình1:** 1. Đèn chỉ báo

Đèn chỉ báo sẽ sáng màu xanh lá khi dụng cụ được cắm điện.  
Nếu đèn chỉ báo nhấp nháy màu đỏ, bảo vệ quá nhiệt, Công nghệ cảm ứng Active Feedback, hoặc chức năng phòng ngừa vô tình khởi động lại sẽ dừng vận hành. Trong tình huống này, hãy tắt dụng cụ. Sau đó, bật dụng cụ lên để khởi động lại.  
Nếu đèn chỉ báo sáng lên màu đỏ sau khi tắt dụng cụ, dụng cụ đang bị quá nhiệt. Trong tình huống này, hãy làm nguội dụng cụ và đợi đến khi đèn chỉ báo sáng lên màu xanh lá.

## Đĩa điều chỉnh tốc độ

Chỉ dành cho kiểu GA4593 / GA5093

**⚠THẬN TRỌNG:** Nếu dụng cụ được vận hành liên tục ở tốc độ chậm trong thời gian dài, motor sẽ bị quá tải và nóng lên.

**⚠THẬN TRỌNG:** Đĩa xoay điều chỉnh tốc độ chỉ có thể được xoay cao nhất là 5 và trở về 1. Không cố gắng vặn quá 5 hoặc 1, nếu không chức năng điều chỉnh tốc độ có thể không hoạt động nữa.

Có thể thay đổi tốc độ xoay bằng cách xoay đĩa điều chỉnh tốc độ đến cài đặt số đã có sẵn từ 1 đến 5. Có thể đạt tốc độ cao hơn khi xoay đĩa này về hướng số 5. Và có thể đạt tốc độ thấp hơn khi xoay đĩa về hướng số 1. Tham khảo bảng bên dưới về mối liên quan giữa cài đặt theo số trên đĩa và tốc độ xoay gần đúng.

Số	Tốc độ định mức
1	2.800 min <sup>-1</sup> (/min)
2	4.500 min <sup>-1</sup> (/min)
3	6.500 min <sup>-1</sup> (/min)
4	8.000 min <sup>-1</sup> (/min)
5	11.500 min <sup>-1</sup> (/min)

► **Hình2:** 1. Đĩa điều chỉnh tốc độ

## Khóa trực

**⚠ CẢNH BÁO:** Tuyệt đối không kích hoạt khóa trực khi trụ quay đang chuyển động. Điều này có thể gây thương tích nghiêm trọng hoặc làm hỏng dụng cụ.

Nhấn khóa trực để ngăn xoay trụ quay khi lắp hoặc tháo phụ kiện.

► **Hình3:** 1. Khóa trực

## Hoạt động công tắc

**⚠ THẬN TRỌNG:** Trước khi cắm điện vào dụng cụ, luôn kiểm tra để đảm bảo cần công tắc hoạt động bình thường và trả về vị trí "TẮT" khi nhả ra.

**⚠ THẬN TRỌNG:** Để bạn được an toàn, dụng cụ này được trang bị cần nhà khóa nhằm ngăn ngừa vô ý khởi động dụng cụ. **KHÔNG BAO GIỜ** sử dụng dụng cụ nếu dụng cụ hoạt động khi bạn chỉ kéo cần gạt công tắc mà không kéo cần nhà khóa. Hãy trả dụng cụ lại cho trung tâm dịch vụ được ủy quyền của chúng tôi để sửa chữa phù hợp **TRƯỚC KHI** sử dụng tiếp sau này.

**⚠ THẬN TRỌNG:** Không được kéo mạnh cần công tắc mà không kéo cần nhà khóa. Điều này có thể gây hỏng công tắc.

**⚠ THẬN TRỌNG:** **KHÔNG BAO GIỜ** dán chặt xuống hoặc vô hiệu mục đích và chức năng của cần nhà khóa.

Để ngăn ngừa vô tình kéo cần công tắc, dụng cụ được trang bị một cần nhà khóa.

Để khởi động dụng cụ, hãy kéo cần nhà khóa về phía người vận hành và sau đó kéo cần công tắc.

Để dừng dụng cụ, hãy nhả cần công tắc.

► **Hình4:** 1. Cần nhà khóa 2. Cần công tắc

## Chức năng điện tử

### Công nghệ cảm ứng Active Feedback

**⚠ THẬN TRỌNG:** Cầm chắc dụng cụ cho đến khi việc xoay dừng lại.

Dụng cụ này phát hiện kiểu điện tử các tình huống mà bánh mài hoặc phụ kiện có thể có nguy cơ bị kẹp chặt lại. Trong tình huống này, dụng cụ sẽ tự động ngắt nguồn điện để phòng ngừa trụ quay xoay thêm (điều này không ngăn cản lực đẩy ngược).

Lúc này, đèn chỉ báo sẽ nhấp nháy đỏ và cho biết Công nghệ cảm ứng Active Feedback đang hoạt động.

Để khởi động lại dụng cụ, trước tiên hãy tắt dụng cụ, loại bỏ nguyên nhân gây ra giảm tốc độ xoay đột ngột, và sau đó bật dụng cụ.

## Chức năng phòng ngừa vô tình khởi động lại

Khi cắm điện vào dụng cụ trong khi công tắc BẬT, dụng cụ sẽ không khởi động.

Vào lúc này, đèn chỉ báo sẽ nhấp nháy màu đỏ và cho biết rằng chức năng phòng ngừa vô tình khởi động lại đang hoạt động.

Để khởi động dụng cụ, hãy tắt công tắc và bật lại.

## Điều khiển tốc độ không đổi

Có khả năng tạo được bề mặt hoàn thiện đẹp bởi tốc độ xoay được giữ không đổi ngay cả trong điều kiện có tải.

## Tính năng khởi động mềm

Tính năng khởi động mềm làm giảm phản lực khi khởi động.

## Phanh cơ học

*Chỉ dành cho kiểu GA4593 / GA4594 / GA5093 / GA5094*

Phanh cơ học được kích hoạt sau khi tắt dụng cụ. Phanh không hoạt động khi tắt nguồn cấp điện với công tắc vẫn mở.

## LẮP RÁP

**⚠ THẬN TRỌNG:** Luôn luôn đảm bảo rằng dụng cụ đã được tắt và tháo phích cắm trước khi dùng dụng cụ thực hiện bất cứ công việc nào.

## Lắp đặt tay cầm hông (tay cầm)

**⚠ THẬN TRỌNG:** Luôn đảm bảo rằng tay cầm hông được gắn chặt trước khi vận hành.

Vận tay cầm hông thật chặt trên vị trí của dụng cụ như thể hiện trên hình vẽ.

► **Hình5**

## Lắp hoặc tháo phần bảo vệ đĩa

**⚠ CẢNH BÁO:** Khi sử dụng đĩa mài trung tâm bị nén xuống, đĩa nhám xếp, đĩa lật hoặc chổi sắt dạng đĩa mài, phần bảo vệ đĩa phải được trang bị trên dụng cụ sao cho bên đóng lại của phần bảo vệ luôn chỉ về phía người vận hành.

**⚠ CẢNH BÁO:** Đảm bảo đã khóa phần bảo vệ đĩa an toàn bằng cần khóa với một trong các lỗ vào phần bảo vệ đĩa.

**⚠ CẢNH BÁO:** Khi sử dụng đĩa cắt nhám/đĩa mài kim cương, hãy chắc chắn là bạn chỉ sử dụng phần bảo vệ đĩa chuyên dụng được thiết kế để sử dụng với đĩa cắt.

## Dành cho đĩa mài trung tâm bị nén xuống, đĩa nhám xếp, đĩa lật, chổi sắt dạng đĩa mài/đĩa cát, đĩa mài kim cương

1. Trong khi đẩy cần khóa, hãy gắn phần bảo vệ đĩa với phần nhô ra trên phần bảo vệ đĩa đã căn chỉnh các rãnh khóa trên hộp ổ đệm.

► **Hình6:** 1. Cần khóa 2. Rãnh khóa 3. Phần nhô ra

2. Trong lúc đẩy cần khóa về phía A, nhấn giữ các phần B của phần bảo vệ đĩa như thể hiện trong hình.

► **Hình7:** 1. Phần bảo vệ đĩa 2. Lỗ

**LƯU Ý:** Đẩy thẳng phần bảo vệ đĩa xuống. Nếu không, bạn sẽ không thể cố định phần bảo vệ đĩa.

3. Trong lúc đẩy cần khóa về phía A, xoay phần bảo vệ đĩa về phía C, sau đó thay đổi góc của phần bảo vệ đĩa theo công việc sao cho người vận hành có thể được bảo vệ. Căn chỉnh cần khóa với một trong các lỗ trên phần bảo vệ đĩa, sau đó nhả cần khóa để khóa phần bảo vệ đĩa.

► **Hình8:** 1. Phần bảo vệ đĩa 2. Lỗ

Đề tháo phần bảo vệ đĩa, hãy làm ngược lại quy trình lắp vào.

## Phụ tùng bảo vệ đĩa cắt kẹp giữ

### Phụ kiện tùy chọn

**LƯU Ý:** Để thực hiện các thao tác cắt, phụ tùng bảo vệ đĩa cắt kẹp giữ có thể được sử dụng với phần bảo vệ đĩa (cho đĩa mài).

Không khả dụng ở một số quốc gia.

► **Hình9**

## Lắp hoặc tháo đĩa mài trung tâm bị nén xuống hoặc đĩa nhám xếp

### Phụ kiện tùy chọn

**▲CẢNH BÁO:** Khi sử dụng đĩa mài trung tâm bị nén xuống hoặc đĩa nhám xếp, phần bảo vệ đĩa phải được trang bị trên dụng cụ sao cho bên đóng lại của phần bảo vệ luôn chỉ về phía người vận hành.

**▲CẢNH BÁO:** Đảm bảo rằng phần gắn của vành trong vừa khít với đường kính trong của đĩa mài trung tâm bị nén xuống/đĩa nhám xếp. Việc gắn vành trong sai mặt có thể gây ra rung động nguy hiểm.

Gắn vành trong lên trụ quay.

Đảm bảo đã gắn bộ phận rãnh cưa của vành trong lên bộ phận thẳng ở đáy trụ quay.

Gắn khít đĩa mài trung tâm bị nén xuống/đĩa nhám xếp trên vành trong và vận đai ốc khóa lên trụ quay.

► **Hình10:** 1. Đai ốc khóa 2. Đĩa mài trung tâm bị nén xuống 3. Vành trong 4. Phần gắn

Đề vận chặt đai ốc khóa, hãy nhấn khóa trực sao cho trụ quay không thể xoay, sau đó sử dụng cờ lê đai ốc khóa và vận chặt lại theo chiều kim đồng hồ.

► **Hình11:** 1. Cờ-lê khóa đai ốc 2. Khóa trực

Đề tháo đĩa mài, hãy làm ngược lại quy trình lắp vào.

## Lắp hoặc tháo đĩa lật

### Phụ kiện tùy chọn

**▲CẢNH BÁO:** Luôn sử dụng phần bảo vệ được cung cấp khi đĩa lật đang trên dụng cụ. Đĩa mài có thể vỡ vụn trong khi sử dụng và phần bảo vệ giúp làm giảm nguy cơ thương tích cá nhân.

► **Hình12:** 1. Đai ốc khóa 2. Đĩa lật 3. Tấm dự phòng 4. Vành trong

Làm theo hướng dẫn dành cho đĩa mài trung tâm bị nén xuống, ngoài ra cũng nên sử dụng tấm dự phòng lên trên đĩa.

## Gắn hoặc tháo đĩa nhám

### Phụ kiện tùy chọn

► **Hình13:** 1. Đai ốc khóa chà nhám 2. Đĩa nhám 3. Tấm cao su

1. Gắn tấm cao su lên trụ quay.

2. Gắn khít đĩa trên tấm cao su và vận đai ốc khóa chà nhám lên trụ quay.

3. Giữ trục quay bằng khóa trực, và vận chặt đai ốc khóa chà nhám theo chiều kim đồng hồ bằng cờ lê đai ốc khóa.

Đề tháo đĩa nhám, hãy làm ngược lại quy trình lắp vào.

**LƯU Ý:** Sử dụng các phụ kiện máy chà nhám được quy định trong sách hướng dẫn này. Các mục này phải được mua riêng.

## Vành đặc biệt

### Phụ kiện tùy chọn

**Chỉ dành cho kiểu GA4595 / GA5095**

Vành đặc biệt là phụ kiện đặc biệt dành cho kiểu KHÔNG được trang bị chức năng phanh.

Chỉ cần 1/3 nỗ lực để tháo đai ốc khóa so với kiểu thông thường.

## Lắp hoặc tháo Ezynut

### Phụ kiện tùy chọn

**Chỉ dành cho ren trụ quay M14.**

**▲THẬN TRỌNG:** Không sử dụng Ezynut với Vành đặc biệt. Các vành đó dày đến mức trụ quay không thể chứa toàn bộ ren.

Gắn vành trong, đĩa nhám và Ezynut lên trên trụ quay sao cho Logo Makita trên mặt Ezynut hướng ra ngoài.

► **Hình14:** 1. Ezynut 2. Đĩa nhám 3. Vành trong 4. Trụ quay

Bấm chặt khóa trực và vận chặt Ezynut bằng cách xoay đĩa nhám theo chiều kim đồng hồ hết mức xoay.

► **Hình15:** 1. Khóa trực

Đề nới lỏng Ezynut, xoay vòng ngoài của Ezynut ngược chiều kim đồng hồ.

**LƯU Ý:** Có thể nới lỏng Ezynut bằng tay khi mũi tên chỉ đến rãnh khóa. Nếu không, cần có cờ-lê đai ốc khóa để nới lỏng nó. Lắp chốt của cờ-lê vào lỗ và vặn Ezynut ngược chiều kim đồng hồ.

- ▶ **Hình16:** 1. Mũi tên 2. Rãnh khóa
- ▶ **Hình17**

## Lắp đĩa cắt nhám / đĩa mài kim cương

### Phụ kiện tùy chọn

**⚠CẢNH BÁO:** Khi sử dụng đĩa cắt nhám/đĩa mài kim cương, hãy chắc chắn là bạn chỉ sử dụng phần bảo vệ đĩa chuyên dụng được thiết kế để sử dụng với đĩa cắt.

**⚠CẢNH BÁO:** KHÔNG BAO GIỜ sử dụng đĩa cắt để mài mặt bên.

- ▶ **Hình18:** 1. Đai ốc khóa 2. Đĩa cắt nhám / đĩa mài kim cương 3. Vành trong 4. Phần bảo vệ đĩa dành cho đĩa cắt nhám / đĩa mài kim cương

Đối với việc lắp đặt, tuân theo các hướng dẫn dành cho đĩa mài trung tâm bị nén xuống. Hướng gắn đai ốc khóa và vành trong sẽ khác nhau tùy theo loại đĩa và độ dày. Tham khảo số liệu sau.

### Khi lắp đĩa cắt nhám:

- ▶ **Hình19:** 1. Đai ốc khóa 2. Đĩa cắt nhám (Mỏng hơn 4 mm (5/32")) 3. Đĩa cắt nhám (4 mm (5/32") hoặc dày hơn) 4. Vành trong

### Khi lắp đĩa mài kim cương:

- ▶ **Hình20:** 1. Đai ốc khóa 2. Đĩa mài kim cương (Mỏng hơn 4 mm (5/32")) 3. Đĩa mài kim cương (4 mm (5/32") hoặc dày hơn) 4. Vành trong

## Lắp chổi sắt dạng côn

### Phụ kiện tùy chọn

**⚠THẬN TRỌNG:** Không sử dụng chổi đã bị hư, hoặc mất cân bằng. Sử dụng chổi hư có thể làm tăng khả năng thương tích do tiếp xúc với sợi kim loại của chổi đã gãy.

- Đặt dụng cụ úp ngược xuống để có thể dễ dàng tiếp cận trụ quay.  
Tháo bất kỳ phụ tùng nào trên trụ quay. Lắp chổi sắt dạng côn lên trụ quay và vặn chặt bằng cờ lê được cung cấp.
- ▶ **Hình21:** 1. Chổi sắt dạng côn

## Lắp chổi sắt dạng đĩa mài

### Phụ kiện tùy chọn

**⚠THẬN TRỌNG:** Không sử dụng chổi sắt dạng đĩa mài đã bị hư, hoặc mất cân bằng. Sử dụng chổi sắt dạng đĩa mài bị hư có thể làm tăng khả năng thương tích do tiếp xúc với sợi kim loại đã gãy.

**⚠THẬN TRỌNG:** LUÔN sử dụng phần bảo vệ với chổi sắt dạng đĩa mài, hãy đảm bảo đường kính của đĩa mài vừa với phần bảo vệ bên trong. Đĩa mài có thể vỡ vụn trong khi sử dụng và phần bảo vệ giúp làm giảm nguy cơ thương tích cá nhân.

- Đặt dụng cụ úp ngược xuống để có thể dễ dàng tiếp cận trụ quay.  
Tháo bất kỳ phụ tùng nào trên trụ quay. Lắp chổi sắt dạng đĩa mài lên trụ quay và vặn chặt bằng các cờ lê.
- ▶ **Hình22:** 1. Chổi sắt dạng đĩa mài

## Lắp đặt máy cắt lỗ

### Phụ kiện tùy chọn

- Đặt dụng cụ úp ngược xuống để có thể dễ dàng tiếp cận trụ quay.  
Tháo bất kỳ phụ kiện nào trên trụ quay. Lắp máy cắt lỗ lên trụ quay và vặn chặt bằng cờ lê được cung cấp.
- ▶ **Hình23:** 1. Máy cắt lỗ

## Lắp chụp bảo vệ có cổng thoát bụi để mài

### Phụ kiện tùy chọn

Với các phụ kiện tùy chọn, bạn có thể dùng dụng cụ này để mài bề mặt bê tông.

**⚠THẬN TRỌNG:** Chụp bảo vệ có cổng thoát bụi dành cho đĩa mài kim cương dạng gờ chỉ dùng để mài bề mặt bê tông bằng đĩa mài kim cương dạng gờ. Không sử dụng bộ phận bảo vệ này với các phụ kiện cắt khác hoặc cho bất kỳ mục đích nào khác.

**⚠THẬN TRỌNG:** Trước khi vận hành, đảm bảo rằng máy hút bụi cầm tay hoạt động bằng động cơ điện được nối vào dụng cụ và bật lên.

- Đặt dụng cụ úp ngược xuống và lắp chụp bảo vệ có cổng thoát bụi.  
Gắn vành trong vào trụ quay.  
Gắn kit đĩa mài kim cương loại nắp chụp trên vành trong và vặn chặt đai ốc khóa lên trụ quay.
- ▶ **Hình24:** 1. Đai ốc khóa 2. Đĩa mài kim cương loại nắp chụp 3. Đĩa mài kim cương loại nắp chụp trung tâm 4. Vành trong 5. Chụp bảo vệ có cổng thoát bụi 6. Hộp ổ đệm

**LƯU Ý:** Để biết thông tin về cách lắp đặt chụp bảo vệ có cổng thoát bụi, hãy tham khảo tài liệu hướng dẫn của chụp bảo vệ có cổng thoát bụi.

## Lắp chụp bảo vệ có cổng thoát bụi để cắt

### Phụ kiện tùy chọn

Với các phụ kiện tùy chọn, bạn có thể sử dụng dụng cụ này để cắt vật liệu bằng đá.

► **Hình25**

**LƯU Ý:** Để biết thông tin về cách lắp đặt chụp bảo vệ có cổng thoát bụi, hãy tham khảo tài liệu hướng dẫn của chụp bảo vệ có cổng thoát bụi.

## Kết nối máy hút bụi

### Phụ kiện tùy chọn

**⚠CẢNH BÁO:** Không bao giờ hút các mảnh kim loại do quá trình nghiền/cắt/chà nhám tạo ra. Các mảnh kim loại do các quá trình đó tạo ra có thể nóng đến mức làm cháy bụi và bộ lọc bên trong máy hút bụi.

Để tránh làm môi trường bụi bặm do cắt gạch đá, hãy sử dụng bộ phận bảo vệ đĩa hút bụi và máy hút bụi. Tham khảo hướng dẫn sử dụng đi kèm với bộ phận bảo vệ đĩa hút bụi để lắp ráp và sử dụng nó.

► **Hình26:** 1. Bảo vệ đĩa hút bụi 2. Ống dẫn của máy hút bụi

## Lắp hoặc tháo phụ tùng tấm chắn bụi

### Phụ kiện tùy chọn

**⚠THẬN TRỌNG:** Luôn đảm bảo rằng dụng cụ này đã được tắt và rút phích cắm trước khi lắp hoặc tháo phụ tùng tấm chắn bụi. Không làm như vậy sẽ có thể gây hỏng dụng cụ hoặc thương tích cá nhân.

Lắp phụ tùng tấm chắn bụi vào từng vị trí được chỉ định. Để biết chi tiết, hãy tham khảo tài liệu hướng dẫn của phụ tùng tấm chắn bụi.

**CHÚ Ý:** Vệ sinh phụ tùng tấm chắn bụi khi nó bị tắc do bụi hoặc ngoại vật. Tiếp tục vận hành với phụ tùng tấm chắn bụi bị tắc có thể làm hỏng dụng cụ.

## VẬN HÀNH

**⚠CẢNH BÁO:** Không cần thiết phải dùng lực lên dụng cụ. Khối lượng của dụng cụ sẽ gây ra một áp lực thích hợp. Dùng lực và dùng lực quá nhiều có thể gây vỡ đĩa mài rất nguy hiểm.

**⚠CẢNH BÁO:** LUÔN thay đĩa mài nếu dụng cụ bị rơi ra trong khi mài.

**⚠CẢNH BÁO:** KHÔNG BAO GIỜ đập hoặc đùng vào đĩa đang làm việc.

**⚠CẢNH BÁO:** Tránh dồn ép hoặc vướng vào đĩa mài, đặc biệt là khi làm việc với các góc, cạnh nhọn, v.v... Điều này có thể gây mất kiểm soát và tạo lực đẩy ngược.

**⚠CẢNH BÁO:** KHÔNG BAO GIỜ sử dụng dụng cụ có lưới cắt gỗ và các loại lưới cửa khác. Các loại lưới như vậy khi được sử dụng trên máy mài sẽ thường xuyên gây giật và làm mất kiểm soát dẫn đến thương tích cá nhân.

**⚠CẢNH BÁO:** Việc tiếp tục sử dụng đĩa bị mòn có thể dẫn đến nổ đĩa và gây thương tích cá nhân nghiêm trọng.

**⚠THẬN TRỌNG:** Không bao giờ bật dụng cụ lên khi nó đang tiếp xúc với phổi gia công, điều này có thể gây thương tích cho người vận hành.

**⚠THẬN TRỌNG:** Luôn mang kính bảo hộ hoặc mặt nạ bảo vệ mắt trong khi vận hành.

**⚠THẬN TRỌNG:** Sau khi vận hành, luôn tắt dụng cụ và chờ đến khi đĩa mài dừng hoàn toàn trước khi đặt dụng cụ xuống.

**⚠THẬN TRỌNG:** LUÔN cầm chắc dụng cụ bằng một tay đặt lên vỏ dụng cụ và tay kia đặt lên tay cầm hông (tay nắm).

**LƯU Ý:** Có thể sử dụng đĩa có mục đích kép cho cả thao tác mài và cắt.

Tham khảo “Vận hành với đĩa mài/đĩa” đối với thao tác mài, tham khảo “Vận hành với đĩa cắt nhám/đĩa mài kim cương” đối với thao tác cắt.

## Vận hành với đĩa mài/đĩa

► **Hình27**

Bật dụng cụ lên và sau đó sử dụng đĩa mài hoặc đĩa cho phổi gia công.

Nói chung, hãy giữ cạnh đĩa mài hoặc đĩa ở một góc khoảng 15° so với bề mặt phổi gia công.

Trong giai đoạn đưa đĩa mài mới vào, không làm việc khi máy mài đang hướng về trước, nếu không nó có thể cắt vào phổi gia công. Một khi các cạnh của đĩa mài đã được bo tròn bằng cách sử dụng, các đĩa mài có thể được làm việc ở cả hai hướng về trước và về sau.

## Vận hành với đĩa cắt nhám/đĩa mài kim cương

### Phụ kiện tùy chọn

**⚠ CẢNH BÁO:** Không làm “kẹt” đĩa mài hoặc dùng lực quá nhiều. Không cố thực hiện chiều sâu cắt quá mức. Dùng lực quá nhiều lên đĩa mài sẽ làm tăng tải trọng và dễ bị xoắn hoặc bó kẹt đĩa mài khi cắt và có khả năng đẩy ngược, vỡ đĩa mài và động cơ quá nhiệt có thể xảy ra.

**⚠ CẢNH BÁO:** Không khởi động thao tác cắt trong phôi gia công. Để đĩa mài đạt đến tốc độ tối đa và cẩn thận nhập lại đường cắt di chuyển dụng cụ về phía trước trên bề mặt phôi gia công. Đĩa mài có thể bị bó kẹt, bật lên hoặc bật ngược lại nếu dụng cụ máy được khởi động trong phôi gia công.

**⚠ CẢNH BÁO:** Trong lúc cắt, không bao giờ thay đổi góc đĩa mài. Đặt áp lực hông trên đĩa cắt (cứng như khi mài) sẽ làm cho đĩa cắt nứt và vỡ, gây thương tích cá nhân nghiêm trọng.

**⚠ CẢNH BÁO:** Đĩa mài kim cương nên được đặt vuông góc với vật liệu được cắt.

Ví dụ về cách sử dụng: vận hành với đĩa cắt nhám  
▶ Hình28

Ví dụ về cách sử dụng: vận hành với đĩa mài kim cương  
▶ Hình29

## Vận hành với chổi sắt dạng côn

### Phụ kiện tùy chọn

**⚠ THẬN TRỌNG:** Kiểm tra hoạt động của chổi bằng cách chạy dụng cụ không tải, đảm bảo rằng không có ai ở phía trước hoặc ngang hàng với chổi.

Ví dụ về cách sử dụng: vận hành với chổi sắt dạng côn  
▶ Hình30

**CHÚ Ý:** Tránh dùng lực quá nhiều có thể làm sợi kim loại cong khi sử dụng chổi. Nó có thể dẫn đến sớm bị gãy vỡ.

## Vận hành với chổi sắt dạng đĩa mài

### Phụ kiện tùy chọn

**⚠ THẬN TRỌNG:** Kiểm tra hoạt động của chổi sắt dạng đĩa mài bằng cách chạy dụng cụ không tải, đảm bảo rằng không có ai ở phía trước hoặc thẳng hàng với chổi sắt dạng đĩa mài.

Ví dụ về cách sử dụng: vận hành với chổi sắt dạng đĩa mài  
▶ Hình31

**CHÚ Ý:** Tránh dùng lực quá nhiều có thể làm sợi kim loại cong khi sử dụng chổi sắt dạng đĩa mài. Nó có thể dẫn đến sớm bị gãy vỡ.

## Vận hành với máy cắt lỗ

### Phụ kiện tùy chọn

**⚠ THẬN TRỌNG:** Kiểm tra việc vận hành của máy cắt lỗ bằng cách chạy dụng cụ không tải, đảm bảo rằng không có ai ở phía trước máy cắt lỗ.

**CHÚ Ý:** Không nghiêng dụng cụ trong quá trình vận hành. Nó có thể dẫn đến sớm bị gãy vỡ.

Ví dụ về cách sử dụng: vận hành với máy cắt lỗ  
▶ Hình32

## BẢO TRÌ

**⚠ THẬN TRỌNG:** Luôn bảo đảm rằng dụng cụ được tắt điện và rút phích cắm trước khi thử thực hiện việc kiểm tra hoặc bảo trì.

**CHÚ Ý:** Không được phép dùng xăng, ết xăng, dung môi, cồn hoặc hóa chất tương tự. Có thể xảy ra hiện tượng mất màu, biến dạng hoặc nứt vỡ.

Để đảm bảo ĐỘ AN TOÀN và ĐỘ TIN CẬY của sản phẩm, việc sửa chữa hoặc bất cứ thao tác bảo trì, điều chỉnh nào đều phải được thực hiện bởi các Trung tâm Dịch vụ Nhà máy hoặc Trung tâm được Makita Ủy quyền và luôn sử dụng các phụ tùng thiết bị thay thế của Makita.

## Vệ sinh lỗ thông khí

Dụng cụ và các khe thông khí của nó cần phải được giữ sạch sẽ. Thường xuyên vệ sinh các khe thông khí của dụng cụ hoặc bất cứ khi nào các khe này bắt đầu bị kẹt vướng.

▶ Hình33: 1. Lỗ thông khí thải 2. Lỗ hút khí



# KẾT HỢP CÁC ỨNG DỤNG VÀ PHỤ KIỆN

## Phụ kiện tùy chọn

- ⚠ THẬN TRỌNG:** Việc sử dụng dụng cụ với phần bảo vệ không chính xác có thể gây ra rủi ro như sau.
- Khi sử dụng phần bảo vệ đĩa cắt để mài bề mặt, phần bảo vệ đĩa có thể gây cản trở cho phôi gia công dẫn đến kiểm soát kém.
  - Khi sử dụng phần bảo vệ đĩa mài cho các thao tác cắt với đĩa nhám và đĩa mài kim cương gắn kết, sẽ tăng nguy cơ tiếp xúc với đĩa đang quay, tia lửa và hạt phát ra, cũng như tiếp xúc với mảnh vỡ đĩa trong trường hợp đĩa nổ.
  - Khi sử dụng phần bảo vệ đĩa cắt hoặc phần bảo vệ đĩa mài cho thao tác bề mặt với đĩa mài kim cương loại nắp chụp, phần bảo vệ đĩa có thể gây cản trở cho phôi gia công dẫn đến kiểm soát kém.
  - Khi sử dụng phần bảo vệ đĩa cắt hoặc phần bảo vệ đĩa mài với chổi sắt dạng đĩa mài có độ dày lớn hơn độ dày tối đa được chỉ định trong “THÔNG SỐ KỸ THUẬT”, dây có thể vướng vào phần bảo vệ dẫn đến đứt dây.
  - Sử dụng chụp bảo vệ có cổng thoát bụi cho các thao tác cắt và bề mặt trong bê tông hoặc gạch vữa làm giảm nguy cơ tiếp xúc với bụi.
  - Khi sử dụng đĩa mài được gắn vành có mục đích kép (mài kết hợp và nhám cắt), chỉ sử dụng phần bảo vệ đĩa cắt.

## ► Hình 34

Chỉ dành cho kiểu GA4593 / GA4594 / GA5093 / GA5094

-	Ứng dụng	Kiểu máy 115 mm	Kiểu máy 125 mm
1	-	Tay cầm hồng	
2	-	Phần bảo vệ đĩa (dành cho đĩa mài)	
3	-	Vành trong	
4	Mài / Chà nhám	Đĩa mài trung tâm bị nén xuống / Đĩa nhám xếp	
5	-	Đai ốc khóa	
6	-	Ezynut *1*2	
7	-	Tấm dự phòng	
8	Mài / Chà nhám	Đĩa lật	
9	-	Tấm cao su 100	Tấm cao su 115
10	Chà nhám	Đĩa nhám	
11	-	Đai ốc khóa chà nhám	
12	Đánh bàn chải kim loại	Chổi sắt dạng đĩa mài	
13	Đánh bàn chải kim loại	Chổi sắt dạng côn	
14	Cắt lỗ	Máy cắt lỗ	
15	-	Phần bảo vệ đĩa (dành cho đĩa cắt)	
16	Cắt	Đĩa cắt nhám / Đĩa mài kim cương	
17	Mài / Cắt	Đĩa có mục đích kép	
18	-	Phụ tùng bảo vệ đĩa cắt kẹp giữ *3	
19	-	Chụp bảo vệ có cổng thoát bụi để cắt	
20	Cắt	Đĩa mài kim cương	
21	-	Chụp bảo vệ có cổng thoát bụi để mài	
22	Mài	Đĩa mài kim cương loại nắp chụp	
-	-	Cờ lê đai ốc khóa	
-	-	Phụ kiện tấm chắn bụi	

**Chi dành cho kiểu GA4595 / GA5095**

	Ứng dụng	Kiểu máy 115 mm	Kiểu máy 125 mm
1	-	Tay cầm hồng	
2	-	Phần bảo vệ đĩa (dành cho đĩa mài)	
3	-	Vành trong / Vành đặc biệt *1*2	
4	Mài / Chà nhám	Đĩa mài trung tâm bị nén xuống / Đĩa nhám xếp	
5	-	Đai ốc khóa	
6	-	Ezynut *1*2	
7	-	Tấm dự phòng	
8	Mài / Chà nhám	Đĩa lật	
9	-	Tấm cao su 100	Tấm cao su 115
10	Chà nhám	Đĩa nhám	
11	-	Đai ốc khóa chà nhám	
12	Đánh bàn chải kim loại	Chổi sắt dạng đĩa mài	
13	Đánh bàn chải kim loại	Chổi sắt dạng côn	
14	Cắt lỗ	Máy cắt lỗ	
15	-	Phần bảo vệ đĩa (dành cho đĩa cắt)	
16	Cắt	Đĩa cắt nhám / Đĩa mài kim cương	
17	Mài / Cắt	Đĩa có mục đích kép	
18	-	Phụ tùng bảo vệ đĩa cắt kẹp giữ *3	
19	-	Chụp bảo vệ có cổng thoát bụi để cắt	
20	Cắt	Đĩa mài kim cương	
21	-	Chụp bảo vệ có cổng thoát bụi để mài	
22	Mài	Đĩa mài kim cương loại nắp chụp	
-	-	Cờ lê đai ốc khóa	
-	-	Phụ kiện tấm chắn bụi	

**LƯU Ý:** \*1 Không sử dụng Vành đặc biệt và Ezynut cùng với nhau.

**LƯU Ý:** \*2 Chỉ dành cho các dụng cụ có ren trụ quay M14.

**LƯU Ý:** \*3 Phụ tùng bảo vệ đĩa cắt kẹp giữ không có sẵn ở một số quốc gia. Để biết thêm chi tiết, hãy tham khảo tài liệu hướng dẫn của phụ tùng bảo vệ đĩa cắt kẹp giữ.

**LƯU Ý:** Không sử dụng Vành đặc biệt với máy mài được trang bị chức năng phanh.

## PHỤ KIỆN TỰY CHỌN

**⚠ THẬN TRỌNG:** Các phụ kiện hoặc phụ tùng gắn thêm này được khuyến cáo sử dụng với dụng cụ Makita của bạn theo như quy định trong hướng dẫn này. Việc sử dụng bất cứ phụ kiện hoặc phụ tùng gắn thêm nào khác đều có thể gây ra rủi ro thương tích cho người. Chỉ sử dụng phụ kiện hoặc phụ tùng gắn thêm cho mục đích đã quy định sẵn của chúng.

Nếu bạn cần bất kỳ sự hỗ trợ nào để biết thêm chi tiết về các phụ tùng này, hãy hỏi Trung tâm Dịch vụ của Makita tại địa phương của bạn.

- Các phụ kiện được liệt kê trong “KẾT HỢP CÁC ỨNG DỤNG VÀ PHỤ KIỆN”

**LƯU Ý:** Một số mục trong danh sách có thể được bao gồm trong gói dụng cụ làm phụ kiện tiêu chuẩn. Các mục này ở mỗi quốc gia có thể khác nhau.

## ข้อมูลจำเพาะ

รุ่น:		GA4593	GA4594	GA4595	GA5093	GA5094	GA5095
ใบเจียที่ สามารถใช้ได้	เส้นผ่านศูนย์กลางล้อสูงสุด	115 mm			125 mm		
	ความหนาล้อสูงสุด	7.2 mm					
ล้อตัดที่ สามารถใช้ได้	เส้นผ่านศูนย์กลางล้อสูงสุด	115 mm			125 mm		
	ความหนาล้อสูงสุด	3.2 mm					
แปรงลวดกลม ที่สามารถใช้ได้	เส้นผ่านศูนย์กลางล้อสูงสุด	115 mm			125 mm		
	ความหนาล้อสูงสุด	20 mm					
แกนเสียบ	M14 หรือ 5/8" (เฉพาะประเทศ)						
ความยาวสูงสุดของแกนหมุน	23 mm						
ความเร็วหมุนเปล่า (n <sub>0</sub> ) / อัตราความเร็ว (n)	11,500 min <sup>-1</sup>						
ความยาวโดยรวม	349 mm		326 mm		349 mm		326 mm
น้ำหนักสุทธิ	2.8 - 4.0 kg		2.6 - 3.8 kg		2.9 - 4.0 kg		2.7 - 3.8 kg
มาตรฐานความปลอดภัย	☐/						

- เนื่องจากการค้นคว้าวิจัยและพัฒนาอย่างต่อเนื่อง ข้อมูลจำเพาะในเอกสารฉบับนี้อาจเปลี่ยนแปลงได้โดยไม่ต้องแจ้งให้ทราบล่วงหน้า
- ข้อมูลจำเพาะอาจแตกต่างกันไปในแต่ละประเทศ
- น้ำหนักอาจแตกต่างกันไปตามอุปกรณ์เสริม การติดอุปกรณ์เสริมที่เบาที่สุดและหนักที่สุดตามข้อบังคับของ EPTA 01/2014 มีแสดงอยู่ในตาราง

### สัญลักษณ์

ต่อไปนี้เป็นสัญลักษณ์ที่อาจใช้สำหรับอุปกรณ์ โปรดศึกษาความหมายของสัญลักษณ์ให้เข้าใจก่อนการใช้งาน

	อ่านคู่มือการใช้งาน
	สวมแว่นตานิรภัย
	ใช้งานเครื่องมือด้วยมือทั้งสองข้างเสมอ
	อย่าใช้ที่ป้องกันล้อสำหรับการทำงานตัด
	ฉนวนสองชั้น



สำหรับประเทศในสหภาพยุโรปเท่านั้น  
เนื่องจากในอุปกรณ์มีส่วนประกอบอันตราย อุปกรณ์ไฟฟ้าและอิเล็กทรอนิกส์ที่ใช้แล้วจึงอาจส่งผลกระทบต่อสิ่งแวดล้อมและสุขภาพของมนุษย์ในเชิงลบ  
อย่าทิ้งเครื่องใช้ไฟฟ้าและอิเล็กทรอนิกส์ร่วมกับวัสดุเหลือทิ้งในครัวเรือน!  
เพื่อให้เป็นไปตามกฎระเบียบของยุโรปว่าด้วยขยะจากอุปกรณ์ไฟฟ้าและอิเล็กทรอนิกส์ รวมถึงการบังคับใช้ตามกฎหมายภายในประเทศ ควรมีการจัดเก็บอุปกรณ์ไฟฟ้าและอิเล็กทรอนิกส์ที่ใช้แล้วแยกต่างหากและส่งไปยังจุดรับขยะต่างหากในเขตเทศบาลซึ่งมีการดำเนินการตามระเบียบว่าด้วยการดูแลสิ่งแวดล้อมโดยระบุด้วยสัญลักษณ์เส้นคาดขวางรูปถังขยะแบบมีล้อไว้บนอุปกรณ์

## จุดประสงค์การใช้งาน

เครื่องมือนี้ใช้สำหรับการขัด การขัดด้วยกระดาษทราย การขัดด้วยแปรงลวด การตัดรู และการตัดวัสดุโลหะและหินโดยไม่มีชิ้น

## แหล่งจ่ายไฟ

ควรเชื่อมต่อเครื่องมือกับแหล่งจ่ายไฟที่มีแรงดันไฟฟ้าตามที่ระบุไว้ในป้ายข้อมูลของเครื่องมือ และจะต้องใช้ไฟฟ้ากระแสสลับแบบเฟสเดียวเท่านั้น อุปกรณ์นี้ได้รับการคุ้มครองสองชั้นและสามารถใช้กับปลั๊กไฟที่ไม่มีสายดินได้

## คำเตือนด้านความปลอดภัย

### คำเตือนด้านความปลอดภัยของเครื่องมือไฟฟ้าทั่วไป

**⚠ คำเตือน:** โปรดอ่านคำเตือนด้านความปลอดภัย คำแนะนำ ภาพประกอบ และข้อมูลจำเพาะต่างๆ ที่มากับเครื่องมือไฟฟ้านี้อย่างละเอียด การไม่ปฏิบัติตามคำแนะนำดังต่อไปนี้ อาจส่งผลให้เกิดไฟฟ้าช็อต ไฟไหม้ และ/หรือได้รับบาดเจ็บอย่างร้ายแรงได้

## เก็บรักษาคำเตือนและคำแนะนำทั้งหมดไว้เป็นข้อมูลอ้างอิงในอนาคต

คำว่า “เครื่องมือไฟฟ้า” ในคำเตือนนี้หมายถึงเครื่องมือไฟฟ้า (มีสาย) ที่ทำงานโดยใช้กระแสไฟฟ้าหรือเครื่องมือไฟฟ้า (ไร้สาย) ที่ทำงานโดยใช้แบตเตอรี่

### ความปลอดภัยของพื้นที่ทำงาน

1. ดูแลพื้นที่ทำงานให้มีความสะอาดและมีแสงไฟสว่าง พื้นที่ที่กระเบื้องหรือมีดที่บิ่นอาจนำไปสู่การเกิดอุบัติเหตุได้
2. อย่าใช้งานเครื่องมือไฟฟ้าในสภาพที่อาจเกิดการระเบิด เช่น ในสถานที่ที่มีของเหลว ก๊าซ หรือฝุ่นผงที่มีคุณสมบัติไวไฟ เครื่องมือไฟฟ้าอาจสร้างประกายไฟและจุดชนวนฝุ่นผงหรือก๊าซดังกล่าว
3. ดูแลไม่ให้มีเด็กๆ หรือบุคคลอื่นอยู่ในบริเวณที่กำลังใช้เครื่องมือไฟฟ้า การมีสิ่งรบกวนสมาธิอาจทำให้คุณสูญเสียการควบคุม

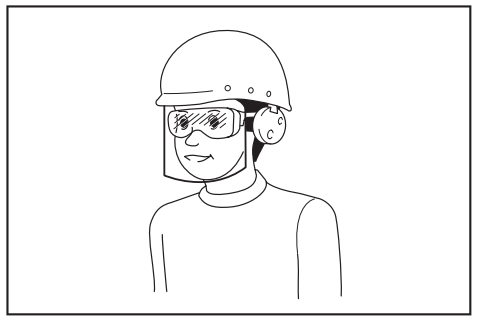
## ความปลอดภัยด้านไฟฟ้า

1. ปลั๊กของเครื่องมือไฟฟ้าต้องพอดีกับเต้ารับ อย่าดัดแปลงปลั๊กไม่ว่ากรณีใดๆ อย่าใช้ปลั๊กอะแดปเตอร์กับเครื่องมือไฟฟ้าที่ต่อสายดิน ปลั๊กที่ไม่ถูกดัดแปลงและเต้ารับที่เข้ากันพอดีจะช่วยลดความเสี่ยงของการเกิดไฟฟ้าช็อต
2. ระวังอย่าให้ร่างกายสัมผัสกับพื้นผิวที่ต่อสายดิน เช่น ท่อ เครื่องนำความร้อน เตาหุงต้ม และตู้เย็น มีความเสี่ยงที่จะเกิดไฟฟ้าช็อตสูงขึ้น หากร่างกายของคุณสัมผัสกับพื้น
3. อย่าให้เครื่องมือไฟฟ้าถูกน้ำหรืออยู่ในสภาพเปียกชื้น น้ำที่ไหลเข้าไปในเครื่องมือไฟฟ้าจะเพิ่มความเสี่ยงของการเกิดไฟฟ้าช็อต
4. อย่าใช้สายไฟอย่างไม่เหมาะสม อย่าใช้สายไฟเพื่อยก ดึง หรือถอดปลั๊กเครื่องมือไฟฟ้า เก็บสายไฟให้ห่างจากความร้อน น้ำมัน ของมีคม หรือชิ้นส่วนที่เคลื่อนที่ สายที่ชำรุดหรือพันกันจะเพิ่มความเสี่ยงของการเกิดไฟฟ้าช็อต
5. ขณะที่ใช้งานเครื่องมือไฟฟ้านอกอาคาร ควรใช้สายต่อพ่วงที่เหมาะสมกับงานภายนอกอาคาร การใช้งานที่เหมาะสมกับงานภายนอกอาคารจะลดความเสี่ยงของการเกิดไฟฟ้าช็อต
6. หากต้องใช้งานเครื่องมือไฟฟ้าในสถานที่เปียกชื้น ให้ใช้อุปกรณ์ป้องกันกระแสไฟรั่ว (RCD) การใช้ RCD จะลดความเสี่ยงของการเกิดไฟฟ้าช็อต
7. แนะนำให้ใช้แหล่งจ่ายไฟผ่าน RCD ที่มีกระแสไฟรั่วในอัตราไม่เกิน 30 mA เสมอ
8. เครื่องมือไฟฟ้าอาจสร้างสนามแม่เหล็ก (EMF) ที่ไม่เป็นอันตรายต่อผู้ใช้ อย่างไรก็ตาม ผู้ใช้ที่ใส่เครื่องกระตุ้นหัวใจและอุปกรณ์ทางการแพทย์ที่คล้ายกันนี้ ควรติดต่อผู้ผลิตอุปกรณ์และ/หรือแพทย์เพื่อรับคำแนะนำก่อนใช้งานเครื่องมือไฟฟ้านี้
9. อย่าจับปลั๊กไฟด้วยมือที่เปียก
10. หากสายไฟชำรุด โปรดให้ผู้ผลิตหรือตัวแทนของผู้ผลิตเปลี่ยนให้ เพื่อหลีกเลี่ยงอันตราย

### ความปลอดภัยส่วนบุคคล

1. ให้ระมัดระวังและมีสติอยู่เสมอขณะใช้งานเครื่องมือไฟฟ้า อย่าใช้งานเครื่องมือไฟฟ้าในขณะที่คุณกำลังเหนื่อย หรือในสภาพที่มึนเมาจากยาเสพติด เครื่องดื่ม แอลกอฮอล์ หรือการหายใจ ชั่วขณะที่ขาดความระมัดระวังเมื่อกำลังใช้งานเครื่องมือไฟฟ้าอาจทำให้ได้รับบาดเจ็บร้ายแรง

2. ใช้อุปกรณ์ป้องกันส่วนบุคคล สวมแว่นตาป้องกันเสมอ อุปกรณ์ป้องกัน เช่น หน้ากากกันฝุ่น รองเท้านิรภัย กันลื่น หมวกนิรภัย หรือเครื่องป้องกันการได้ยินที่ใช้ในสภาพที่เหมาะสมจะช่วยลดการบาดเจ็บ
3. ป้องกันไม่ให้เกิดการเปิดใช้งานโดยไม่ตั้งใจ ตรวจสอบให้แน่ใจว่าสวิตช์ปิดอยู่ก่อนที่จะเชื่อมต่อกับแหล่งจ่ายไฟ และ/หรือชุดแบตเตอรี่ รวมทั้งตรวจสอบก่อนการยกหรือเคลื่อนย้ายเครื่องมือ การถอดนิ้วมือบริเวณสวิตช์เพื่อถ่วงเครื่องมือไฟฟ้า หรือการชาร์จไฟเครื่องมือไฟฟ้าในขณะที่เปิดสวิตช์อยู่อาจนำไปสู่การเกิดอุบัติเหตุ
4. นำกุญแจปรับตั้งหรือประแจออกก่อนที่จะเปิดเครื่องมือไฟฟ้า ประแจหรือกุญแจที่เสียบค้างอยู่ในชิ้นส่วนที่หมุนได้ของเครื่องมือไฟฟ้าอาจทำให้ได้รับบาดเจ็บ
5. อย่าทำงานในระบอบที่ล้าเมื่อย จัดท่ากรงแขนและการทรงตัวให้เหมาะสมตลอดเวลา เพราะจะทำให้ควบคุมเครื่องมือไฟฟ้าได้ดีขึ้นในสถานการณ์ที่ไม่คาดคิด
6. แต่งกายให้เหมาะสม อย่าสวมเครื่องแต่งกายที่หลวมเกินไป หรือสวมเครื่องประดับ ดูแลไม่ให้เส้นผมและเสื้อผ้าอยู่ใกล้ชิ้นส่วนที่เคลื่อนที่ เสื้อผ้ารุ่มร่าม เครื่องประดับ หรือผมที่มีความยาวอาจเข้าไปติดในชิ้นส่วนที่เคลื่อนที่
7. หากมีการจัดอุปกรณ์สำหรับดูดและจับฝุ่นไว้ในสถานที่ ให้ตรวจสอบว่าได้เชื่อมต่อและใช้งานอุปกรณ์นั้นอย่างเหมาะสม การใช้เครื่องดูดและจับฝุ่นจะช่วยลดอันตรายที่เกิดจากฝุ่นผงได้
8. อย่าให้ความดันเคยจากการใช้งานเครื่องมือเป็นประจำทำให้คุณทำตามตัวตามสบายและละเลยหลักการเพื่อความปลอดภัยในการใช้เครื่องมือ การกระทำที่ไม่ระมัดระวังอาจทำให้เกิดการบาดเจ็บร้ายแรงภายในเสี้ยววินาที
9. สวมใส่แว่นครอบตานิรภัยเพื่อปกป้องดวงตาของคุณจากการบาดเจ็บเมื่อใช้เครื่องมือไฟฟ้า แว่นครอบตาจะต้องได้มาตรฐาน ANSI Z87.1 ในสหรัฐอเมริกา, EN 166 ในยุโรป หรือ AS/NZS 1336 ในออสเตรเลีย/นิวซีแลนด์ ในออสเตรเลีย/นิวซีแลนด์ จะต้องสวมเกราะป้องกันใบหน้าเพื่อปกป้องใบหน้าของคุณอย่างถูกต้องตามกฎหมายด้วย



ผู้ว่าจ้างมีหน้าที่รับผิดชอบในการบังคับผู้ใช้งานเครื่องมือและบุคคลอื่น ๆ ที่อยู่ในบริเวณที่ปฏิบัติงานให้ใช้อุปกรณ์ป้องกันที่เหมาะสม

#### การใช้และดูแลเครื่องมือไฟฟ้า

1. อย่าฝืนใช้เครื่องมือไฟฟ้า ใช้เครื่องมือไฟฟ้าที่เหมาะสมกับการใช้งานของคุณ เครื่องมือไฟฟ้าที่เหมาะสมจะทำให้ได้งานที่มีประสิทธิภาพและปลอดภัยกว่าตามขีดความสามารถของเครื่องที่ได้รับการออกแบบมา
2. อย่าใช้เครื่องมือไฟฟ้า หากสวิตช์ไม่สามารถเปิดปิดได้ เครื่องมือไฟฟ้าที่ควบคุมด้วยสวิตช์ไม่ได้เป็นสิ่งอันตรายและต้องได้รับการซ่อมแซม
3. ถอดปลั๊กจากแหล่งจ่ายไฟ และ/หรือชุดแบตเตอรี่ออกจากเครื่องมือไฟฟ้าก่อนทำการปรับตั้ง เปลี่ยนอุปกรณ์เสริม หรือจัดเก็บเครื่องมือไฟฟ้า วิธีการป้องกันด้านความปลอดภัยดังกล่าวจะช่วยลดความเสี่ยงในการเปิดใช้งานเครื่องมือไฟฟ้าโดยไม่ตั้งใจ
4. จัดเก็บเครื่องมือไฟฟ้าที่ไม่ได้ใช้งานให้ห่างจากมือเด็ก และอย่าอนุญาตให้บุคคลที่ไม่คุ้นเคยกับเครื่องมือไฟฟ้าหรือคำแนะนำเหล่านี้ใช้งานเครื่องมือไฟฟ้า เครื่องมือไฟฟ้าจะเป็นอันตรายเมื่ออยู่ในมือของผู้ที่ไม่ได้รับการฝึกอบรม
5. บำรุงรักษาเครื่องมือไฟฟ้าและอุปกรณ์เสริม ตรวจสอบการประกอบที่ไม่ถูกต้องหรือการเชื่อมต่อของชิ้นส่วนที่เคลื่อนที่ การแตกหักของชิ้นส่วนหรือสภาพอื่น ๆ ที่อาจส่งผลกระทบต่อการทำงานของเครื่องมือไฟฟ้า หากมีความเสียหาย ให้นำเครื่องมือไฟฟ้าไปซ่อมแซมก่อนการใช้งาน อุบัติเหตุจำนวนมากเกิดจากการดูแลรักษาเครื่องมือไฟฟ้าอย่างไม่ถูกต้อง
6. ทำความสะอาดเครื่องมือตัดและลับให้คมอยู่เสมอ เครื่องมือการตัดที่มีการดูแลอย่างถูกต้องและมีขอบการตัดคมมักจะมีปัญหาตัดชิ้นน้อยและควบคุมได้ง่ายกว่า

- ใช้เครื่องมือไฟฟ้า อุปกรณ์เสริม และวัสดุสิ้นเปลือง ฯลฯ ตามคำแนะนำดังกล่าว พิจารณาสภาพการทำงานและงานที่จะลงมือทำ การใช้เครื่องมือไฟฟ้าเพื่อทำงานอื่นนอกเหนือจากที่กำหนดไว้อาจทำให้เกิดอันตราย
- ดูแลมือจับและบริเวณมือจับให้แห้ง สะอาด และไม่มีน้ำมันและจาระบีเปื้อน มือจับและบริเวณมือจับที่ลื่นจะทำให้ไม่สามารถจับและควบคุมเครื่องมือได้อย่างปลอดภัยในสถานการณ์ที่ไม่คาดคิด
- ขณะใช้งานเครื่องมือ อย่าสวมใส่ถุงมือผ้าที่อาจเข้าไปติดในเครื่องมือได้ หากถุงมือผ้าเข้าไปติดในชิ้นส่วนที่กำลังเคลื่อนที่อยู่อาจทำให้ได้รับบาดเจ็บ

#### การซ่อมบำรุง

- นำเครื่องมือไฟฟ้าเข้ารับบริการจากช่างซ่อมที่ผ่านการรับรองโดยช่างไหลแบบเดียวกันเท่านั้น เพราะจะทำให้การใช้เครื่องมือไฟฟ้ามีความปลอดภัย
- ปฏิบัติตามคำแนะนำในการหล่อลื่นและการเปลี่ยนอุปกรณ์เสริม

#### คำเตือนด้านความปลอดภัยของเครื่องขัด

คำเตือนด้านความปลอดภัยสำหรับการทำงานขัด การขัดด้วยกระดาษทราย การขัดด้วยแปรงลวด หรือการตัด:

- เครื่องมือไฟฟ้าสามารถใช้ทำงานเป็นเครื่องขัดเครื่องขัดด้วยกระดาษทราย แปรงลวด หัวตัด หรือเครื่องตัด อ่านคำเตือนด้านความปลอดภัย คำแนะนำ ภาพประกอบ และข้อมูลจำเพาะทั้งหมดที่มาพร้อมกับเครื่องมือไฟฟ้านี้ หากไม่ปฏิบัติตามคำเตือนทั้งหมดด้านข้างนี้อาจส่งผลให้เกิดไฟช็อต ไฟไหม้ และ/หรือได้รับบาดเจ็บสาหัสได้
- ไม่สามารถใช้เครื่องมือไฟฟ้านี้ทำงานอย่างเช่น การขัดแต่ง ได้ การทำงานที่เครื่องมือไฟฟ้าไม่ได้ระบุไว้ นั้นอาจทำให้เกิดอันตรายและทำให้ได้รับบาดเจ็บได้
- อย่าดัดแปลงเครื่องมือไฟฟ้านี้เพื่อใช้งานในลักษณะที่ไม่ได้กำหนดไว้เฉพาะและไม่ได้รับอนุญาตโดยผู้ผลิตเครื่องมือ การดัดแปลงดังกล่าวอาจส่งผลให้สูญเสียการควบคุมและทำให้เกิดการบาดเจ็บสาหัสได้
- อย่าใช้อุปกรณ์เสริมที่ไม่ได้กำหนดไว้เฉพาะและไม่ได้รับอนุญาตโดยผู้ผลิตเครื่องมือ การที่อุปกรณ์เสริมต่างๆ สามารถติดตั้งเข้ากับเครื่องมือไฟฟ้าของคุณได้นั้น ไม่ได้เป็นการรับประกันว่าจะสามารถใช้งานร่วมกับอุปกรณ์ดังกล่าวได้อย่างปลอดภัย
- อัตราความเร็วของอุปกรณ์เสริมนั้นอย่างน้อยต้องเท่ากับความเร็วสูงสุดที่ระบุไว้ในเครื่องมือไฟฟ้าที่ อุปกรณ์เสริมที่ทำงานเร็วกว่าอัตราความเร็วที่กำหนด อาจแตกและกระเด็นออก
- เส้นผ่านศูนย์กลางภายนอกและความหนาของอุปกรณ์เสริมของคุณจะต้องอยู่ในอัตราความสามารถของเครื่องมือไฟฟ้าของคุณ อุปกรณ์เสริมที่มีขนาดไม่เหมาะสมจะไม่สามารถควบคุมหรือป้องกันได้อย่างมีประสิทธิภาพ
- ขนาดของส่วนติดตั้งอุปกรณ์เสริมจะต้องประกอบเข้ากับขนาดของส่วนติดตั้งของเครื่องมือไฟฟ้าได้พอดี อุปกรณ์เสริมที่มีขนาดของส่วนติดตั้งไม่พอดีกับส่วนติดตั้งอุปกรณ์ของเครื่องมือไฟฟ้าจะทำให้ไม่สามารถทำงานได้อย่างสมดุล มีการสั่นมากเกินไป และอาจทำให้ไม่สามารถควบคุมได้
- อย่าใช้อุปกรณ์เสริมที่มีความเสียหาย ก่อนใช้งานแต่ละครั้ง ให้ตรวจสอบอุปกรณ์เสริม เช่น เศษชิ้นส่วนและรอยร้าวบนวงล้อขัด รอยร้าวบนแผ่นรองหลังกระดาษทราย การชำรุดหรือการสึกหรอที่มากเกินไป ควร และเส้นลวดที่หลวมหรือแตกบนแปรงลวด หากเครื่องมือไฟฟ้าหรืออุปกรณ์เสริมร่วงหล่น ให้ตรวจสอบหาความเสียหาย หรือติดตั้งอุปกรณ์เสริมที่ไม่มี ความเสียหาย หลังจากทำการตรวจสอบและติดตั้งอุปกรณ์เสริม ให้ตัวคุณเองและผู้อยู่ใกล้เคียงอยู่ห่างจากระนาบของอุปกรณ์เสริมที่กำลังหมุน และเปิดเครื่องมือไฟฟ้าที่ความเร็วหมุนเปล่าสูงสุดเป็นเวลาหนึ่งนาที โดยปกติแล้วอุปกรณ์เสริมที่เสียหายจะแตกออกจากกันในระหว่างการทดสอบนี้
- สวมอุปกรณ์ป้องกันส่วนบุคคล ใช้หน้ากากป้องกันใบหน้า แวนครอบตานิรภัย หรือแว่นตานิรภัย โดยขึ้นอยู่กับการใช้งาน สวมหน้ากากป้องกันฝุ่น ที่ป้องกันเสียง ถุงมือ และผ้ากันเปื้อนที่สามารถป้องกันการกระเด็นของเศษชิ้นส่วนขนาดเล็กจากการขัดหรือเศษชิ้นงานได้ตามความเหมาะสม อุปกรณ์ป้องกันดวงตาต้องสามารถป้องกันเศษต่างๆ ที่กระเด็นออกมาจากการใช้งานต่างๆ ได้ หน้ากากป้องกันฝุ่นและหน้ากากป้องกันแก๊สพิษต้องสามารถกรองอนุภาคที่เกิดจากการใช้งานเฉพาะได้ การฟังเสียงดังมากๆ เป็นเวลานาน อาจทำให้ระบบการได้ยินเสียหายได้
- โปรดกินผู้ไม่เกี่ยวข้องให้อยู่ห่างจากบริเวณที่ปฏิบัติงานในระยะปลอดภัย ผู้ที่เข้าสู่พื้นที่ปฏิบัติงานจะต้องสวมอุปกรณ์ป้องกันส่วนบุคคล เศษชิ้นงานหรืออุปกรณ์เสริมที่แตกหักอาจกระเด็นออกและทำให้เกิดการบาดเจ็บนอกพื้นที่ปฏิบัติงานได้

11. ถือเครื่องมือไฟฟ้าบริเวณมือจับที่เป็นฉนวนหุ้มเท่านั้น ในขณะที่ทำงานที่อุปกรณ์เสริมที่ใช้ตัดอาจสัมผัสกับสายไฟที่ซ่อนอยู่หรือสายไฟของเครื่องเอง อุปกรณ์ตัดที่สัมผัสกับสายไฟ "ที่มีกระแสไฟฟ้าไหลผ่าน" อาจสัมผัสกับชิ้นส่วนโลหะของเครื่องมือไฟฟ้า "ที่มีกระแสไฟฟ้าไหลผ่าน" และอาจทำให้ผู้ใช้ใช้งานถูกไฟฟ้าช็อตได้
12. จัดให้สายไฟให้อยู่ห่างจากอุปกรณ์เสริมที่กำลังหมุน หากคุณสูญเสียการควบคุม สายไฟอาจจะถูกตัดหรือถูกดึง และทำให้มือหรือแขนของคุณถูกดึงเข้าไปในอุปกรณ์เสริมที่กำลังหมุนได้
13. ห้ามวางเครื่องมือไฟฟ้าลงจนกว่าอุปกรณ์เสริมจะหยุดสนิท อุปกรณ์เสริมที่กำลังหมุนอาจกระทบกับพื้นผิว และทำให้เครื่องมือไฟฟ้าหลุดมือคุณได้
14. อย่าใช้งานเครื่องมือไฟฟ้าในขณะที่ถือเครื่องมือไว้ด้านข้างของลำตัวคุณ เนื่องจากการสัมผัสกับอุปกรณ์เสริมที่กำลังหมุนโดยไม่ตั้งใจนั้นอาจพันกับเสื้อผ้าของคุณและดึงอุปกรณ์เข้าสู่ร่างกายของคุณได้
15. โปรดทำความสะอาดช่องระบายอากาศของเครื่องมือไฟฟ้าอย่างสม่ำเสมอ พัดลมของมอเตอร์จะดูดฝุ่นเข้าไปในตัวเครื่องและการมีสิ่งสกปรกในตัวเครื่องมากเกินไปอาจทำให้เกิดอันตรายจากการเสไฟฟ้าได้
16. อย่าใช้งานเครื่องมือไฟฟ้าใกล้วัสดุไวไฟ เนื่องจากประกายไฟอาจทำให้วัสดุดังกล่าวติดไฟ
17. อย่าใช้อุปกรณ์เสริมที่จำเป็นต้องใช้สารหล่อเย็นที่เป็นของเหลว การใช้สารหล่อเย็นที่เป็นน้ำหรือของเหลวอาจทำให้ไฟช็อตหรือเสียชีวิตด้วยไฟฟ้าได้

#### การติดกลับและคำเตือนที่เกี่ยวข้อง:

การติดกลับคือการตอบสนองโดยฉับพลันเมื่อเกิดการสะดุดหรือติดขัดของลูกล้อ แผ่นรองหลังกระดาดทราย แปรงหรืออุปกรณ์เสริมอื่นๆ ที่กำลังหมุน การสะดุดหรือการติดขัดจะทำให้อุปกรณ์ที่กำลังหมุนบักหัวลงอย่างรวดเร็วซึ่งเป็นสาเหตุให้เครื่องมือไฟฟ้าที่ไม่สามารถควบคุมได้เกิดแรงสะท้อนกลับไปยังทิศทางตรงข้ามกับการหมุน ตัวอย่างเช่น หากวงล้อขัดกันสะดุดหรือติดขัดกับชิ้นงานขอบของลูกล้อที่เข้าไปยังจุดติดขัดจะเจาะเข้าไปยังพื้นผิวของวัสดุและทำให้ลูกล้อติดตัวขึ้นมา ล้อดังกล่าวอาจจะกระเด็นเข้าหาหรือออกห่างตัวผู้ปฏิบัติงาน ทั้งนี้ขึ้นอยู่กับทิศทางของการหมุนของล้อเมื่อเกิดการสะดุด ในกรณีดังกล่าวลูกล้อชดอาจจะแตกหักได้ด้วย

การติดกลับเป็นผลมาจากการใช้เครื่องมือไฟฟ้าผิดจุดประสงค์และ/หรือการใช้ผิดวิธีหรือสภาวะในการใช้งานไม่ถูกต้อง ซึ่งสามารถป้องกันได้โดยใช้วิธีการป้องกันดังต่อไปนี้

1. จับมือจับของเครื่องมือไฟฟ้าให้แน่นด้วยมือทั้งสองข้างและจัดตำแหน่งร่างกายและแขนของคุณให้สามารถต้านแรงติดกลับได้ ใช้มือจับเสริมเสมอหากมี เพื่อให้สามารถควบคุมการติดกลับหรือการสะท้อนของแรงบิดในระหว่างการเริ่มทำงานได้อย่างมีประสิทธิภาพ ผู้ปฏิบัติงานจะสามารถควบคุมแรงสะท้อนของแรงบิดหรือแรงติดกลับได้หากดำเนินการป้องกันอย่างเหมาะสม
2. ห้ามเอามือไว้ใกล้อุปกรณ์หมุน อุปกรณ์ดังกล่าวอาจติดกลับใส่มือคุณได้
3. อย่าอยู่ในบริเวณที่อาจจะโดนเครื่องมือหากมีการติดกลับเกิดขึ้น การติดกลับจะทำให้เครื่องมือสะบัดไปยังทิศทางตรงกันข้ามกับการเคลื่อนไหลของล้อในจุดที่เกิดการสะดุด
4. ใช้ความระมัดระวังเป็นพิเศษเมื่อปฏิบัติงานกับมุมขอบที่มีความแหลมคม ฯลฯ หลีกเลี่ยงการกระแทกและการสะดุดของอุปกรณ์เสริม มุม ขอบที่มีความแหลมคม หรือการกระแทกนั้นอาจทำให้เกิดการสะดุดของอุปกรณ์เสริมที่กำลังหมุนและทำให้เสียการควบคุมหรือเกิดการติดกลับได้
5. อย่าติดตั้งโซ่เลื่อย ในมีดเลื่อยไม้ ลูกล้อเพชรแบบแบบส่วนซึ่งมีช่องว่างด้านข้างมากกว่า 10 mm หรือใบเลื่อยแบบซี่ ในมีดดังกล่าวมักจะทำให้เกิดการติดกลับและสูญเสียการควบคุม

#### คำเตือนด้านความปลอดภัยเฉพาะสำหรับการทำงานขัดและตัด

1. ใช้เฉพาะประเภทของล้อที่ระบุสำหรับเครื่องมือไฟฟ้าของคุณ และที่ป้องกันเฉพาะที่ออกแบบมาสำหรับล้อที่เลือก ล้อที่ไม่ได้ออกแบบมาเพื่อใช้กับเครื่องมือไฟฟ้าจะไม่ได้รับการปกป้องอย่างมีประสิทธิภาพและเป็นอันตรายได้
2. พื้นผิวขัดของใบเจียศูนย์คมจะต้องติดตั้งอยู่ด้านล่างของระนาบขอบที่ป้องกัน ล้อที่ติดตั้งอย่างไม่ถูกต้องซึ่งยื่นออกมาจากแนวระนาบของขอบที่ป้องกันจะไม่ได้รับการป้องกันที่เพียงพอ
3. ที่ป้องกันจะต้องยึดไว้กับเครื่องมือไฟฟ้าอย่างแน่นหนาและวางไว้ในตำแหน่งที่มีความปลอดภัยสูงสุด เพื่อให้ส่วนล้อหันเข้าหาผู้ปฏิบัติงานน้อยที่สุด ที่ป้องกันจะช่วยในการป้องกันผู้ปฏิบัติงานจากเศษล้อที่แตก การสัมผัสกับล้อโดยไม่ตั้งใจ และประกายไฟที่อาจทำให้เสื้อผ้าติดไฟได้

- ใช้ล้อยเฉพาะสำหรับการใช้งานที่ระบุเท่านั้น ตัวอย่างเช่น อย่าขัดด้วยด้านข้างของล้อตัด ล้อตัดแบบขัดใช้เพื่อขัดขอบวง แรงด้านข้างที่กระทำต่อล้อเหล่านี้อาจทำให้ล้อแตกละเอียดได้
- ใช้แกนล้อที่ไม่เสียหายและมีขนาดและรูปทรงตรงกับลูกล้อที่เลือกใช้เสมอ แกนล้อที่ถูกต้องจะรองรับล้อได้อย่างมีประสิทธิภาพ จึงสามารถลดโอกาสในการเสียหายของล้อได้ แกนสำหรับล้อตัดอาจแตกต่างกันจากแกนสำหรับล้อขัด
- อย่าใช้ล้อที่สึกหรือจากเครื่องมือไฟฟ้าที่มีขนาดใหญ่กว่า ล้อที่ใช้สำหรับเครื่องมือไฟฟ้าขนาดใหญ่กว่าไม่เหมาะสำหรับความเร็วที่สูงกว่าของเครื่องมือขนาดเล็ก และอาจจะระเบิดได้
- เมื่อใช้ล้อนอกประเภท ให้ใช้ที่ป้องกันที่เหมาะสมกับการใช้งานเสมอ การใช้ที่ป้องกันที่ไม่เหมาะสมอาจทำให้ไม่ได้ระดับการป้องกันที่ต้องการ ซึ่งอาจทำให้เกิดการบาดเจ็บได้

**คำเตือนด้านความปลอดภัยเพิ่มเติมเฉพาะสำหรับการทำงานตัด:**

- อย่าทำให้ล้อตัด "ติด" หรือใช้แรงดันมากเกินไป อย่าพยายามตัดลึกเกินไป การทำให้ล้อเกิดแรงตึงที่มากเกินไปจะเป็นการเพิ่มภาระงานและล้ออาจบิดหรือติดในรอยตัดและอาจส่งผลให้เกิดการตีกลับหรือล้อแตกได้
- อย่าให้ร่างกายของคุณอยู่ในระดับเดียวกันหรือด้านหลังลูกล้อที่กำลังหมุน เมื่อลูกล้อในตำแหน่งการใช้งานเคลื่อนออกจากร่างกายของคุณ การตีกลับอาจผลักดันให้ลูกล้อที่กำลังหมุนและเครื่องมือไฟฟ้าพุ่งตรงเข้าหาคุณ
- เมื่อล้อติดหรือเมื่อการตัดติดขัดอันเนื่องมาจากเหตุผลใดๆ ให้ปิดเครื่องมือไฟฟ้า แล้วถือไว้หนึ่งๆ จนกระทั่งเครื่องมือหยุดทำงานสนิท ห้ามพยายามถอดลูกล้อตัดออกจากรอยตัดขณะที่ลูกล้อยังเคลื่อนไหวยังมีแรง อาจเกิดการตีกลับได้ ตรวจสอบและแก้ไขเพื่อขจัดสาเหตุที่ทำให้ล้อติดขัด
- อย่าเริ่มการตัดชิ้นใหม่โดยที่เครื่องมือคಾಯอยู่ในชิ้นงาน ปล่อยให้ล้อทำงานที่ความเร็วสูงสุดและทำการตัดอีกครั้งด้วยความระมัดระวัง ลูกล้ออาจติดขัด เด้งหรือตีกลับได้หากเริ่มใช้เครื่องมือไฟฟ้าระหว่างที่ยังคಾಯอยู่ในชิ้นงาน
- รองรับแผ่นหรือชิ้นงานขนาดใหญ่ต่างๆ เพื่อลดความเสี่ยงในการที่ลูกล้อจะบีบแน่นและตีกลับ ชิ้นงานที่มีขนาดใหญ่มีแนวโน้มที่จะแอ่นลงเนื่องจากน้ำหนักของชิ้นงานเอง ควรวางที่รองรับไว้ใต้ชิ้นงานให้ใกล้กับขอบของชิ้นงานทั้งสองด้านของล้อ

- ใช้ความระมัดระวังเป็นพิเศษขณะทำการ "ตัดผ่าน" กำแพงที่มีอยู่แล้วหรือพื้นที่มุมอับอื่นๆ ล้อที่ยื่นออกมาอาจติดที่ฝ้าหรือท่อน้ำ สายไฟฟ้าหรือสิ่งของอื่นๆ ที่อาจทำให้เกิดการตีกลับได้
- อย่าพยายามทำการตัดโค้ง การทำให้ล้อเกิดแรงตึงที่มากเกินไปจะเพิ่มภาระงาน และความไวต่อการบิดหรือติดของล้อในการตัด รวมถึงอาจเกิดการตีกลับหรือล้อแตก ซึ่งทำให้เกิดการบาดเจ็บได้
- ก่อนใช้ลูกล้อเพชรมีร่อง ตรวจสอบให้แน่ใจว่าลูกล้อเพชรมีร่องว่างรอบวงระหว่างร่องแต่ละร่องไม่เกิน 10 มม. และมีมุมคายที่มีค่าเป็นลบเท่านั้น

**คำเตือนด้านความปลอดภัยเฉพาะสำหรับการทำงานขัดด้วยกระดาษทราย:**

- ใช้กระดาษสำหรับงานกระดาษทรายซึ่งมีขนาดที่เหมาะสม ปฏิบัติตามคำแนะนำของผู้ผลิตเมื่อเลือกกระดาษทราย กระดาษทรายที่มีขนาดใหญ่และยื่นออกมานอกแผ่นกระดาษทรายจะทำให้เกิดอันตรายจากบาดแผลลึกขาด และอาจทำให้เกิดการตีขัด การฉีกขาดของงานหรือการตีกลับได้

**คำเตือนด้านความปลอดภัยเฉพาะสำหรับการทำงานขัดด้วยแปรงลวด:**

- โปรดระวังเส้นลวดหลุดออกมาจากแปรงระหว่างการทำงานปกติ อย่ากดต้นเส้นลวดมากเกินไปด้วยการใส่โหลดที่แปรงมากเกินไป เส้นลวดสามารถทะลุผ่านเสื้อผ้าที่บางและ/หรือผิวหนังได้อย่างง่ายดาย
- หากมีการกำหนดให้ใช้ที่ป้องกันสำหรับแปรงลวด อย่าให้มีสิ่งกีดขวางระหว่างล้อหรือแปรงลวดกลมกับที่ป้องกัน เส้นผ่านศูนย์กลางของล้อหรือแปรงลวดกลมอาจขยายออกเนื่องจากภาระงานและแรงเหวี่ยงจากจุดศูนย์กลาง

**คำเตือนด้านความปลอดภัยเพิ่มเติม:**

- เมื่อใช้ใบเสียมศูนย์กลาง ตรวจสอบให้แน่ใจว่าคุณใช้ล้อที่เสริมแรงด้วยใยแก้วเท่านั้น
- ห้ามใช้ล้อประเภทถ้วยหินกับเครื่องขัดชนิดนี้เด็ดขาด เครื่องขัดชนิดนี้ไม่ได้ถูกออกแบบมาสำหรับล้อประเภทเหล่านี้ และการใช้ผลิตภัณฑ์ดังกล่าวอาจทำให้เกิดการบาดเจ็บร้ายแรงได้
- ระวังอย่าให้แกน (โดยเฉพาะอย่างยิ่งการติดตั้ง) หรือเนื้อเสียหาย การที่ส่วนต่างๆ เหล่านี้เสียหายอาจเป็นสาเหตุให้ลูกล้อเสียหายได้
- ตรวจสอบให้แน่ใจว่าลูกล้อนั้นไม่ได้สัมผัสกับชิ้นงานก่อนที่จะเปิดสวิตช์



5. ก่อนที่จะใช้เครื่องมือบนชิ้นงานจริง ปล่อยให้เครื่องมือทำงานเปล่าๆ สักครู่ ดูการสั่นสะเทือนหรือโยกโคลงที่อาจแสดงถึงการใส่และการให้สมดุลลูกล้อที่ไม่ดีพอ
6. ใช้พื้นผิววงล้อที่ระบุในการขัด
7. อย่าปล่อยให้เครื่องมือทำงานค้างไว้ ใช้งานเครื่องมือในขณะที่ถืออยู่เท่านั้น
8. ห้ามสัมผัสกับชิ้นงานทันทีที่ทำงานเสร็จ เนื่องจากชิ้นงานอาจมีความร้อนสูงและลวกผิวหนังของคุณได้
9. ห้ามสัมผัสกับอุปกรณ์เสริมทันทีหลังจากทำงานเสร็จ เนื่องจากอาจมีความร้อนสูงและอาจลวกผิวหนังของคุณได้
10. ปฏิบัติตามคำแนะนำของผู้ผลิตในการติดตั้งและการใช้ลูกล้อ ใช้งานและจัดเก็บลูกล้อด้วยความระมัดระวัง
11. อย่าใช้แปรงหรือตัวแปลงแบบแยกเพื่อแปลงรูล้อขัดขนาดใหญ่
12. ใช้แต่แกนสำหรับเครื่องมือนี้เท่านั้น
13. สำหรับเครื่องมือที่ใช้สำหรับติดตั้งกับล้อเรียบ ให้ตรวจสอบให้แน่ใจว่ารูในล้อยาวพอที่จะรับความยาวของแกนได้
14. ตรวจสอบว่าชิ้นงานมีสิ่งรองรับหรือค้ำยันที่มั่นคง
15. พึงระลึกไว้เสมอว่าลูกล้อจะยังคงหมุนต่อไปแม้ว่าจะปิดเครื่องมือแล้วก็ตาม
16. หากสถานที่ปฏิบัติงานนั้นร้อนและชื้นมาก หรือมีฝุ่นมาก ให้ใช้เบรกเกอร์ป้องกันการลัดวงจร (30 mA) เพื่อการใช้งานอย่างปลอดภัย
17. อย่าใช้เครื่องมือกับวัสดุที่มีระเบิด
18. เมื่อใช้ล้อตัด ให้ทำงานโดยติดตั้งที่ป้องกันล้นแบบเก็บฝุ่นเสมอตามที่กำหนดโดยข้อบังคับภายในประเทศ
19. จานตัดต้องไม่ได้รับแรงดันใดๆ ทั้งสิ้นจากด้านข้าง
20. อย่าใช้ถุงมือทำงานแบบผ้าระหว่างการทำงาน เส้นใยจากถุงมือผ้าอาจเข้าไปในเครื่องมือ ซึ่งจะทำให้เครื่องมือเสียหายได้
21. ก่อนใช้งาน ตรวจสอบให้แน่ใจว่าไม่มีวัตถุใดๆ ผิงอยู่ เช่น ท่อไฟฟ้า ท่อน้ำ หรือท่อแก๊สในชิ้นงาน ไม่เช่นนั้นอาจทำให้เกิดไฟช็อต ไฟรั่ว หรือแก๊สรั่วได้
22. หากมีแผ่นรองติดมากับล้อ อย่าเอาออก เส้นผ่านศูนย์กลางของแผ่นรองจะต้องใหญ่กว่าน็อตล้อยึด แกนตัวนอก และแกนตัวใน
23. ก่อนติดตั้งล้อขัด ให้ตรวจสอบว่าชิ้นส่วนแผ่นรองไม่มีสิ่งผิดปกติ เช่น รอยแตก หรือรอยร้าว
24. ชิ้นน็อตล้อยึดให้แน่นอย่างเหมาะสม การขันล้อยึดที่แน่นเกินไปอาจทำให้ล้อยึดแตก และการขันที่แน่นไม่เพียงพออาจทำให้ล้อยึด

## ปฏิบัติตามคำแนะนำเหล่านี้

**⚠ คำเตือน:** อย่าให้ความไม่ระมัดระวังหรือความคุ้นเคยกับผลิตภัณฑ์ (จากการใช้งานซ้ำหลายครั้ง) อยู่เหนือการปฏิบัติตามกฎเกณฑ์ด้านความปลอดภัยในการใช้งาน ผลิตภัณฑ์อย่างเคร่งครัด การใช้งานอย่างไม่เหมาะสมหรือการไม่ปฏิบัติตามกฎเกณฑ์ด้านความปลอดภัยในคู่มือการใช้งานนี้อาจทำให้ได้รับบาดเจ็บร้ายแรง

## คำอธิบายการทำงาน

**⚠ ข้อควรระวัง:** ตรวจสอบให้แน่ใจว่าได้ปิดสวิตช์เครื่องมือและถอดปลั๊กออกก่อนปรับตั้งหรือตรวจสอบการทำงานของเครื่องมือ

## ระบบป้องกันเครื่องมือ

เครื่องมือนี้มาพร้อมกับระบบป้องกันเครื่องมือ ระบบนี้จะลดหรือตัดกระแสไฟฟ้ายกของมอเตอร์โดยอัตโนมัติเพื่อยืดอายุการใช้งานของเครื่องมือ เครื่องมือจะลดกระแสไฟฟ้ายกหรือหยุดโดยอัตโนมัติระหว่างการทำงาน หากเครื่องมืออยู่ภายใต้สถานการณ์ต่อไปนี้:

### การป้องกันโอเวอร์โวลต

เมื่อเครื่องมือทำงานในลักษณะที่ดึงกระแสไฟฟ้าสูงผิดปกติ เครื่องมือจะลดกระแสไฟฟ้าโดยอัตโนมัติโดยไม่มีข้อบ่งชี้ใดๆ ในสถานการณ์เช่นนี้ ให้กำจัดสาเหตุที่ทำให้เกิดการโอเวอร์โวลตเพื่อให้ความเร็วในการหมุนกลับคืนมา

### การป้องกันความร้อนสูงเกิน

#### เฉพาะประเภท

เมื่อเครื่องมือมีความร้อนสูงเกิน เครื่องมือจะหยุดโดยอัตโนมัติและไฟแสดงสถานะจะกะพริบเป็นสีแดง ในสถานการณ์เช่นนี้ ให้ปล่อยให้เครื่องมือเย็นลง คุณสามารถเปิดเครื่องมือได้อีกครั้งหลังจากที่ไฟเปลี่ยนจากสีแดงเป็นสีเขียว

## ไฟแสดงสถานะ

► หมายเลข 1: 1. ไฟแสดงสถานะ

ไฟแสดงสถานะสีเขียวจะสว่างขึ้นเมื่อเสียบปลั๊กเครื่องมือ หากไฟแสดงสถานะกะพริบเป็นสีแดง การป้องกันความร้อนสูงเกิน เทคโนโลยีป้องกันการป้อนกลับอัตโนมัติ หรือฟังก์ชันป้องกันการรีสตาร์ทโดยไม่ได้ตั้งใจจะหยุดทำงาน ในสถานการณ์เช่นนี้ ให้ปิดเครื่องมือ จากนั้น ให้เปิดเครื่องมือเพื่อรีสตาร์ท

หากไฟแสดงสถานะสว่างเป็นสีแดงหลังจากปิดเครื่องมือแล้ว แสดงว่าเครื่องมือความร้อนสูงเกิน ในสถานการณ์เช่นนี้ ปล่อยให้เครื่องมือเย็นลงและรอจนกระทั่งไฟแสดงสถานะสว่างเป็นสีเขียว

## ปรับปรับความเร็ว

เฉพาะสำหรับรุ่น GA4593 / GA5093

- ⚠ ข้อควรระวัง:** หากเครื่องมือทำงานด้วยความเร็วต่ำอย่างต่อเนื่องเป็นเวลานาน มอเตอร์จะโอเวอร์โหลดและทำให้ร้อนขึ้น
- ⚠ ข้อควรระวัง:** ปรับปรับความเร็วสามารถหมุนไปจนสุดที่หมายเลข 5 และหมุนกลับจนถึงหมายเลข 1 อย่างฝืนหมุนเกินหมายเลข 5 หรือ 1 มิเช่นนั้น ฟังก์ชันปรับความเร็วอาจไม่สามารถใช้งานได้

สามารถเปลี่ยนความเร็วการหมุนได้โดยการปรับปรับปรับความเร็วไปยังหมายเลขต่างๆ ตั้งแต่ 1 ถึง 5 ความเร็วจะสูงขึ้นเมื่อหมุนแป้นไปในทิศทางหมายเลข 5 และความเร็วจะลดลงเมื่อหมุนแป้นไปในทิศทางหมายเลข 1 โปรดอ้างอิงตารางด้านล่างสำหรับความสัมพันธ์ระหว่างการตั้งค่าหมายเลขบนแป้นและความเร็วการหมุนโดยประมาณ

หมายเลข	อัตราความเร็ว
1	2,800 min <sup>-1</sup> (/min)
2	4,500 min <sup>-1</sup> (/min)
3	6,500 min <sup>-1</sup> (/min)
4	8,000 min <sup>-1</sup> (/min)
5	11,500 min <sup>-1</sup> (/min)

▶ หมายเลข 2: 1. ปรับปรับความเร็ว

## ล็อคก้าน

- ⚠ คำเตือน:** ห้ามดันที่ล็อคก้านขณะที่แกนหมุนกำลังเคลื่อนที่ เนื่องจากอาจทำให้เกิดการบาดเจ็บหรือเครื่องมือเสียหาย

กดที่ล็อคก้านเพื่อป้องกันไม่ให้ก้านหมุนเมื่อติดตั้งหรือถอดอุปกรณ์เสริม

▶ หมายเลข 3: 1. ล็อคก้าน

## การทำงานของสวิทช์

- ⚠ ข้อควรระวัง:** ก่อนเสียบปลั๊กเครื่องมือให้ตรวจสอบว่าก้านสวิทช์ทำงานอย่างถูกต้องและกลับไปตำแหน่ง "ปิด" เมื่อปล่อยเสมอ
- ⚠ ข้อควรระวัง:** เพื่อความปลอดภัยของคุณ เครื่องมือนี้ มีก้านปลดล็อคติดตั้งมาด้วยซึ่งจะช่วยป้องกันไม่ให้เครื่องมือสตาร์ทโดยไม่ได้ตั้งใจ ห้ามใช้เครื่องมือหากเครื่องมือสามารถทำงานได้เมื่อคุณดึงก้านสวิทช์โดยไม่ได้ดึงก้านปลดล็อค นำเครื่องมือส่งศูนย์บริการที่ได้รับการรับรองของเราเพื่อทำการซ่อมแซมก่อนการใช้งาน
- ⚠ ข้อควรระวัง:** อย่าดึงก้านสวิทช์แรงๆ โดยไม่ได้ดึงก้านปลดล็อค การทำเช่นนี้อาจทำให้สวิทช์เสียหายได้
- ⚠ ข้อควรระวัง:** ห้ามพันเทปหรือซัดขวางการทำงานของก้านปลดล็อค

เพื่อป้องกันไม่ให้ก้านสวิทช์ถูกดึงโดยไม่ได้ตั้งใจมีก้านปลดล็อคติดตั้งไว้  
วิธีการเปิดใช้งานเครื่องมือ ให้ดึงก้านปลดล็อคสวิทช์เข้าหาผู้ปฏิบัติงานแล้วกดก้านสวิทช์  
หยุดเครื่องมือโดยปล่อยก้านสวิทช์

▶ หมายเลข 4: 1. ก้านปลดล็อค 2. ก้านสวิทช์

## ฟังก์ชันอิเล็กทรอนิกส์

### เทคโนโลยีป้องกันการป้อนกลับอัตโนมัติ

- ⚠ ข้อควรระวัง:** จับเครื่องมือให้แน่นจนกว่าการหมุนจะหยุดลง

เครื่องมือนี้จะตรวจสอบสถานการณ์ที่มีความเสี่ยงที่ล้อหรืออุปกรณ์เสริมอาจติด ในกรณีนี้ เครื่องมือจะตัดพลังงานโดยอัตโนมัติเพื่อป้องกันไม่ให้เกิดหมุนทำงานต่อไป (ไม่ได้ป้องกันการติดกลับ)

ในช่วงเวลาดังกล่าว ไฟแสดงสถานะจะกะพริบเป็นสีแดงและแสดงว่าเทคโนโลยีป้องกันการป้อนกลับอัตโนมัติกำลังทำงาน  
เมื่อต้องการให้เครื่องมือเริ่มทำงานใหม่ ขึ้นแรกให้ปิดเครื่องมือก่อน กำจัดสาเหตุที่ทำให้ความเร็วในการหมุนตกลงกะทันหัน แล้วจึงเปิดเครื่องมือ

## ฟังก์ชันป้องกันการรีสตาร์ทโดยอัตโนมัติ

เมื่อเสียบปลั๊กเครื่องมือในขณะที่สวิตช์เป็นเปิด เครื่องมือจะ  
ไม่เริ่มทำงาน

จากนั้นไฟแสดงสถานะจะกะพริบเป็นสีแดง และแสดงว่า  
ฟังก์ชันป้องกันการรีสตาร์ทโดยอัตโนมัติทำงาน  
การเริ่มใช้งานเครื่องมือ ให้ปิดสวิตช์แล้วเปิดอีกครั้ง

## ระบบควบคุมความเร็วคงที่

ช่วยให้ได้ผลงานที่ละเอียด เนื่องจากความเร็วในการหมุน  
เป็นไปอย่างคงที่และสม่ำเสมอแม้ว่าจะอยู่ในสภาวะที่มีภาระ  
การทำงานก็ตาม

## คุณสมบัติซอฟต์แวร์

คุณสมบัติซอฟต์แวร์จะช่วยลดปฏิกิริยาในการสตาร์ทให้  
น้อยลง

### เบรกเชิงกล

เฉพาะสำหรับรุ่น GA4593 / GA4594 / GA5093 / GA5094

เบรกเชิงกลจะทำงานหลังจากปิดสวิตช์เครื่องมือ  
เบรกจะไม่ทำงานเมื่อปิดแหล่งจ่ายไฟ แม้ว่าสวิตช์จะเปิดอยู่

## การประกอบ

**⚠ ข้อควรระวัง:** ตรวจสอบให้แน่ใจว่าได้ปิดสวิตช์เครื่องมือ  
และถอดปลั๊กออกก่อนดำเนินงานใดๆ กับเครื่องมือ

### การติดตั้งด้ามจับด้านข้าง (มือจับ)

**⚠ ข้อควรระวัง:** ตรวจสอบให้แน่ใจทุกครั้งว่าด้ามจับด้าน  
ข้างติดตั้งอยู่อย่างมั่นคงก่อนที่จะทำงาน

ขันด้ามจับด้านข้างให้แน่นในตำแหน่งของเครื่องมือตามที่  
แสดงในภาพ

▶ หมายเลข 5

## การติดตั้งและการถอดที่ป้องกันล้อ

**⚠ คำเตือน:** เมื่อใช้ใบเจียศูนย์จัม งานทรายซ้อน ใบ  
เจียแบบยืดหยุ่น หรือแปรงลวดกลม ต้องติดตั้งที่ป้องกัน  
ใบบนเครื่องมือเพื่อให้ในด้านที่ปิดของที่ป้องกันเข้าหาผู้  
ปฏิบัติงานเสมอ

**⚠ คำเตือน:** ตรวจสอบให้แน่ใจว่าที่ป้องกันล้อถูกล็อค  
แน่นดีแล้วโดยก้านล็อคกับรูใดรูหนึ่งบนที่ป้องกันล้อ

**⚠ คำเตือน:** เมื่อใช้งานล้อตัดแบบขัด/ลูกกลิ้งเพชร ตรวจสอบ  
สอบให้แน่ใจว่าใช้ที่ป้องกันล้อพิเศษที่ออกแบบมาเพื่อใช้  
งานกับล้อตัดเท่านั้น

## สำหรับใบเจียศูนย์จัม งานทรายซ้อน ใบเจียแบบ ยืดหยุ่น แปรงลวดกลม/ล้อตัดแบบขัด ลูกกลิ้ง เพชร

1. ขณะที่ดันก้านล็อคเอาไว้ ให้ติดตั้งที่ป้องกันล้อโดยให้  
ส่วนที่ยื่นออกมาจากฝาครอบใบเจียตรงกับเครื่องหมายบน  
กล่องดัดกลับลูกปืน

▶ หมายเลข 6: 1. ก้านล็อค 2. ร่องบาก 3. ส่วนที่ยื่น  
ออกมา

2. ขณะที่ดันก้านล็อคไปหา A ให้กดส่วน B บนที่ป้องกัน  
ล้อไว้ตามที่แสดงในภาพ

▶ หมายเลข 7: 1. ที่ป้องกันล้อ 2. รู

หมายเหตุ: ดันที่ป้องกันล้อลงไปตรงๆ ไม่เช่นนั้น คุณจะ  
ไม่สามารถยึดที่ป้องกันล้อได้

3. ขณะที่ดันก้านล็อคไปหา A ให้หมุนที่ป้องกันล้อไป  
หา C แล้วเปลี่ยนมุมของที่ป้องกันล้อตามชิ้นงานเพื่อให้  
สามารถป้องกันผู้ปฏิบัติงานได้ ปรับก้านล็อคให้ตรงกับรูบน  
ที่ป้องกันล้อ แล้วปล่อยก้านล็อคเพื่อปลดล็อคที่ป้องกันล้อ

▶ หมายเลข 8: 1. ที่ป้องกันล้อ 2. รู

เมื่อต้องการถอดที่ป้องกันล้อ ให้ปฏิบัติตามขั้นตอนการ  
ติดตั้งแบบย้อนกลับ

## ที่ป้องกันล้อตัดแบบหนีบ

### อุปกรณ์เสริม

หมายเหตุ: สำหรับการใช้งานตัด สามารถใช้ที่ป้องกันล้อ  
ตัดแบบหนีบกับที่ป้องกันล้อ (สำหรับใบเจีย) ได้

ไม่มีในบางประเทศ

▶ หมายเลข 9

## การติดตั้งหรือการถอดไปเจียศูนย์จัมหรือจานทรายซ้อน

### อุปกรณ์เสริม

**คำเตือน:** เมื่อใช้ไปเจียศูนย์จัมหรือจานทรายซ้อน ต้องติดตั้งที่ป้องกันใบบนเครื่องมือเพื่อให้ด้านที่ปิดของที่ป้องกันเข้าหาผู้ปฏิบัติงานเสมอ

**คำเตือน:** ตรวจสอบว่าส่วนที่ยึดของแกนตัวในยึดเข้าไปในเส้นผ่านศูนย์กลางของไปเจียศูนย์จัม/จานทรายซ้อนพอดี การติดตั้งแกนตัวในผิดด้านอาจทำให้เกิดการสั้นสะท้อนที่เป็นอันตรายได้

ติดตั้งแกนตัวในเข้ากับแกนหมุน

ตรวจสอบว่ายึดส่วนที่เป็นรอยเว้าของแกนตัวในเข้ากับส่วนที่เป็นแท่งตรงของฐานแกนหมุน

ติดตั้งไปเจียศูนย์จัม/จานทรายซ้อนเข้ากับแกนตัวในแล้วขันน็อตล็อกเข้ากับแกนหมุน

► **หมายเลข 10:** 1. น็อตล็อก 2. ไปเจียศูนย์จัม 3. แกนตัวใน 4. ส่วนที่ยึด

วิธีการขันแน่นน็อตล็อก ให้กดที่ล็อกก้านให้แน่นเพื่อให้แกนหมุนไม่หมุน แล้วใช้ประแจขันน็อตล็อกขันตามเข็มนาฬิกาให้แน่น

► **หมายเลข 11:** 1. ประแจขันน็อตล็อก 2. ล็อกก้าน  
เมื่อต้องการถอดล้อ ให้ปฏิบัติย้อนขั้นตอนการติดตั้ง

## การติดตั้งหรือการถอดไปเจียแบบยึดหยุ่น

### อุปกรณ์เสริม

**คำเตือน:** ใช้ที่ป้องกันที่นำมาสวมเมื่อมีใบเจียบนเครื่องมือ ล้อสามารถแตกละเอียดได้ในระหว่างการใช้งาน และที่ป้องกันจะช่วยลดโอกาสในการเกิดการบาดเจ็บได้

► **หมายเลข 12:** 1. น็อตล็อก 2. ไปเจียแบบยึดหยุ่น 3. แผ่นรอง 4. แกนตัวใน

ปฏิบัติตามคำแนะนำสำหรับไปเจียศูนย์จัม แต่ให้ใช้แผ่นรองเหนือใบเจียด้วย

## การติดตั้งหรือการถอดจานขัด

### อุปกรณ์เสริม

► **หมายเลข 13:** 1. น็อตล็อกขัดกระดาษทราย 2. จานขัด 3. แผ่นยาง

1. ติดตั้งแผ่นยางเข้ากับแกนหมุน

2. ติดตั้งจานเข้ากับแผ่นยางแล้วขันน็อตล็อกขัดกระดาษทรายเข้ากับแกนหมุน

3. ยึดแกนหมุนด้วยที่ล็อกก้านและขันน็อตล็อกขัดกระดาษทรายให้แน่นตามเข็มนาฬิกาด้วยประแจขันน็อตล็อก

เมื่อต้องการถอดจาน ให้ปฏิบัติย้อนขั้นตอนการติดตั้ง

**หมายเหตุ:** ใช้แต่อุปกรณ์ขัดที่ระบุคู่มือการใช้งานฉบับนี้เท่านั้น ซึ่งจะต้องซื้อแยกต่างหาก

## แกนซูเปอร์

### อุปกรณ์เสริม

**เฉพาะสำหรับรุ่น GA4595 / GA5095**

แกนซูเปอร์เป็นอุปกรณ์เสริมพิเศษสำหรับรุ่นซึ่งไม่ได้มาพร้อมกับฟังก์ชันเบรก

ใช้แรงเพียง 1/3 ในการคลายน็อตล็อก เมื่อเทียบกับประเภททั่วไป

## การติดตั้งหรือถอดอีซีนีโอ

### อุปกรณ์เสริม

**สำหรับเครื่องมือที่มีแกนเสียบ M14 เท่านั้น**

**คำเตือน:** อย่าใช้อีซีนีโอกับแกนซูเปอร์ แกนเหล่านี้มีความหนาแน่นสูงซึ่งแกนหมุนจะไม่รองรับเกลียวทั้งหมด

ติดตั้งแกนตัวใน วงล้อขัด และอีซีนีโอบนแกนหมุนเพื่อให้โลโก้ Makita บนอีซีนีโอหันออกด้านนอก

► **หมายเลข 14:** 1. อีซีนีโอ 2. วงล้อขัด 3. แกนตัวใน 4. แกนหมุน

กดล็อกก้านให้แน่นและขันอีซีนีโอโดยการหมุนวงล้อขัดตามเข็มนาฬิกาจนสุด

► **หมายเลข 15:** 1. ล็อกก้าน

การคลายอีซีนีโอ ให้หมุนวงแหวนด้านนอกของอีซีนีโอทวนเข็มนาฬิกา

**หมายเหตุ:** สามารถคลายอีซีนีโอได้ด้วยมือตามเท่าที่ลูกศรชี้ไปที่รอยบาก ไม่เช่นนั้น ก็อาจจำเป็นต้องใช้ประแจขันน็อตล็อกเพื่อช่วยคลาย สอดขาของประแจเข้ากับช่องและหมุนอีซีนีโอทวนเข็มนาฬิกา

► **หมายเลข 16:** 1. ลูกศร 2. รอยบาก

► **หมายเลข 17**

## การติดตั้งล้อยึดแบบขั้ว / ลูกล้อเพชร

### อุปกรณ์เสริม

**▲ คำเตือน:** เมื่อใช้งานล้อยึดแบบขั้ว/ลูกล้อเพชร ตรวจสอบให้แน่ใจว่าใช้ที่ป้องกันล้อยึดที่ออกแบบมาเพื่อใช้งานกับล้อยึดเท่านั้น

**▲ คำเตือน:** ห้ามใช้ล้อยึดแบบขั้วในการขัดด้านข้าง

- **หมายเลข 18:** 1. น็อตล็อก 2. ล้อยึดแบบขั้ว/ลูกล้อเพชร 3. แกนตัวใน 4. ที่ป้องกันล้อยึดสำหรับล้อยึดแบบขั้ว/ลูกล้อเพชร

สำหรับการติดตั้ง ให้ปฏิบัติตามคำแนะนำสำหรับใบเจียศูนย์คม  
ทิศทางสำหรับการติดตั้งน็อตล็อกและแกนตัวในจะแตกต่างกันไปตามประเภทของล้อยึดและความหนา  
อ้างอิงภาพต่อไปนี้

### เมื่อติดตั้งล้อยึดแบบขั้ว

- **หมายเลข 19:** 1. น็อตล็อก 2. ล้อยึดแบบขั้ว (บางกว่า 4 mm (5/32")) 3. ล้อยึดแบบขั้ว (4 mm (5/32") หรือหนากว่า) 4. แกนตัวใน

### เมื่อติดตั้งลูกล้อเพชร

- **หมายเลข 20:** 1. น็อตล็อก 2. ลูกล้อเพชร (บางกว่า 4 mm (5/32")) 3. ลูกล้อเพชร (4 mm (5/32") หรือหนากว่า) 4. แกนตัวใน

## การติดตั้งแปรงลวดถั่ว

### อุปกรณ์เสริม

**▲ ข้อควรระวัง:** อย่าใช้แปรงที่เสียหาย หรือไม่สมดุล การใช้แปรงที่เสียหายอาจเป็นการเพิ่มความเสี่ยงที่จะได้รับบาดเจ็บจากการสัมผัสกับลวดแปรงที่หัก

วางเครื่องมือโดยพลิกด้านล่างขึ้นด้านบนเพื่อให้เข้าถึงแกนหมุนได้ง่าย

ถอดอุปกรณ์เสริมใดๆ บนแกนหมุนออก เสียบแปรงลวดถั่วลงบนแกนหมุนและขันด้วยประแจที่ให้มา

- **หมายเลข 21:** 1. แปรงลวดถั่ว

## การติดตั้งแปรงลวดกลม

### อุปกรณ์เสริม

**▲ ข้อควรระวัง:** อย่าใช้แปรงลวดกลมที่เสียหาย หรือไม่สมดุล การใช้แปรงลวดกลมที่เสียหายอาจเป็นการเพิ่มความเสี่ยงที่จะได้รับบาดเจ็บจากการสัมผัสกับลวดที่หัก

**▲ ข้อควรระวัง:** ใช้ที่ป้องกันกับแปรงลวดกลมเสมอ โดยตรวจสอบให้เส้นผ่านศูนย์กลางของล้อยึดสามารถใส่ไว้ด้านในที่ป้องกันได้พอดี ล้อยึดสามารถแตกและแยกได้ในระหว่างการใช้งาน และที่ป้องกันจะช่วยลดโอกาสในการเกิดการบาดเจ็บได้

วางเครื่องมือโดยพลิกด้านล่างขึ้นด้านบนเพื่อให้เข้าถึงแกนหมุนได้ง่าย

ถอดอุปกรณ์เสริมใดๆ บนแกนหมุนออก เสียบแปรงลวดกลมลงบนแกนหมุนและขันด้วยประแจ

- **หมายเลข 22:** 1. แปรงลวดกลม

## การติดตั้งหัวตัดรู

### อุปกรณ์เสริม

วางเครื่องมือโดยพลิกด้านล่างขึ้นด้านบนเพื่อให้เข้าถึงแกนหมุนได้ง่าย

ถอดอุปกรณ์เสริมที่อยู่บนแกนหมุนออกทั้งหมด ใส่หัวตัดรูบนแกนหมุน จากนั้นขันให้แน่นด้วยประแจที่มีมาให้

- **หมายเลข 23:** 1. หัวตัดรู

## การติดตั้งที่ป้องกันล้อยึดแบบเก็บฝุ่นสำหรับการขัด

### อุปกรณ์เสริม

คุณสามารถใช้อุปกรณ์นี้พร้อมอุปกรณ์เสริมสำหรับการขัดพื้นผิวคอนกรีตให้เรียบได้

**▲ ข้อควรระวัง:** ที่ป้องกันล้อยึดเก็บฝุ่นสำหรับลูกล้อเพชรแบบเยื้องใช้สำหรับการขัดพื้นผิวคอนกรีตให้เรียบด้วยลูกล้อเพชรแบบเยื้องเท่านั้น อย่าใช้ที่ป้องกันกับอุปกรณ์การตัดอื่น ๆ หรือใช้เพื่อวัตถุประสงค์อื่น

**▲ ข้อควรระวัง:** ก่อนเริ่มทำงาน ตรวจสอบให้แน่ใจว่าที่ดูดฝุ่นเชื่อมต่อกับเครื่องมือแล้ว จากนั้นค่อยเปิดเครื่อง

วางเครื่องมือโดยพลิกด้านล่างขึ้นด้านบนและติดตั้งที่ป้องกันล้อยึดแบบเก็บฝุ่น  
ติดตั้งแกนตัวในลงบนเพลลาหมุน

ติดตั้งลูกล้อเพชรประเภทถ้วยบนแกนตัวใน และชั้นน็อต ล็อคบนแกนหมุนให้แน่น

- **หมายเลข 24:** 1. น็อตล็อค 2. ลูกล้อเพชรประเภท ถ้วยหิน 3. ลูกล้อเพชรประเภทถ้วย หินมีดุม 4. แกนตัวใน 5. ที่ป้องกันล้อ แบบเก็บฝุ่น 6. กล่องดลับลูกปืน

**หมายเหตุ:** สำหรับข้อมูลเกี่ยวกับวิธีการติดตั้งที่ป้องกัน ล้อแบบเก็บฝุ่น โปรดดูที่คู่มือที่ป้องกันล้อแบบเก็บฝุ่น

### การติดตั้งที่ป้องกันล้อแบบเก็บฝุ่นสำหรับการตัด

#### อุปกรณ์เสริม

ด้วยอุปกรณ์เสริมเหล่านี้ คุณสามารถใช้เครื่องมือนี้ สำหรับตัดวัสดุที่เป็นหินได้

- **หมายเลข 25**

**หมายเหตุ:** สำหรับข้อมูลเกี่ยวกับวิธีการติดตั้งที่ป้องกัน ล้อแบบเก็บฝุ่น โปรดดูที่คู่มือที่ป้องกันล้อแบบเก็บฝุ่น

### การต่อเครื่องดูดฝุ่น

#### อุปกรณ์เสริม

▲ **คำเตือน:** ห้ามดูดเศษผงโลหะที่เกิดจากการขัด/การ ตัด/การขัดด้วยกระดาษทราย เศษผงโลหะที่เกิดจากการ ทำงานดังกล่าวอาจมีความร้อนสูงซึ่งทำให้ฝุ่นและตัวกรอง ภายใต้นที่ดูดฝุ่นติดไฟได้

เพื่อหลีกเลี่ยงสภาพแวดล้อมที่เต็มไปด้วยฝุ่นซึ่งเกิดจากการ ตัดอิฐ ให้ใช้ที่ป้องกันล้อเก็บฝุ่นและที่ดูดฝุ่น โปรดดูคู่มือการใช้งานที่แนบมาเกี่ยวกับที่ป้องกันล้อเก็บฝุ่นใน การประกอบและใช้งาน

- **หมายเลข 26:** 1. ที่ป้องกันล้อเก็บฝุ่น 2. ท่อของที่ ดูดฝุ่น

### การติดตั้งและการถอดฝาครอบกันฝุ่น

#### อุปกรณ์เสริม

▲ **ข้อควรระวัง:** ตรวจสอบให้แน่ใจว่าได้ปิดสวิตช์เครื่องมือและถอดปลั๊กออกแล้ว ก่อนทำการติดตั้งหรือถอดที่ยึด ฝาครอบกันฝุ่น ไม่เช่นนั้น อาจทำให้เครื่องมือเกิดความ เสียหายหรือทำให้ได้รับบาดเจ็บได้

ติดตั้งชุดฝาครอบฝุ่นตามตำแหน่งที่ระบุ สำหรับรายละเอียด โปรดดูที่คู่มือการใช้งานชุดฝาครอบฝุ่น

**ข้อสังเกต:** ทำความสะอาดฝาครอบกันฝุ่นเมื่อมีฝุ่นหรือ สิ่งแปลกปลอมอุดตัน การทำงานต่อโดยที่ฝาครอบกันฝุ่น อุดตันอาจทำให้เครื่องมือเสียหาย

### การใช้งาน

▲ **คำเตือน:** คุณไม่จำเป็นต้องออกแรงกดเครื่องมือ หน้า หนักของเครื่องมือจะก่อให้เกิดแรงกดที่เหมาะสม การฝืน และแรงกดที่มากเกินไปอาจทำให้บาดเจ็บเสียหายและเป็น อันตรายได้

▲ **คำเตือน:** เปลี่ยนใบเจียเสมอถ้าทำเครื่องมือตก ระหว่างขัด

▲ **คำเตือน:** ห้ามทุบหรือกระแทกลบชิ้นงาน

▲ **คำเตือน:** หลีกเลี่ยงการกระดอนและการทำให้ใบ เจียติดขัด โดยเฉพาะขณะทำงานที่มุม ขอบมีคม และ อื่นๆ ซึ่งอาจทำให้สูญเสียการควบคุมและเกิดการติดกลับ ได้

▲ **คำเตือน:** อย่าใช้เครื่องมือกับไม้ตัดไม้และใบเลื่อย ชนิดอื่นๆ เมื่อใช้ใบมีดชนิดดังกล่าวกับเครื่องขัดมีคมจะ ทำให้เกิดการติดกลับบ่อยๆ และเป็นสาเหตุให้สูญเสียการ ควบคุมและการบาดเจ็บของบุคคลได้

▲ **คำเตือน:** การใช้ล้อที่หมดสภาพต่อไปอาจทำให้ล้อ ระเบิดและเกิดการบาดเจ็บร้ายแรงได้

▲ **ข้อควรระวัง:** อย่าเปิดเครื่องมือในขณะที่สัมผัสกับชิ้น งาน เนื่องจากอาจทำให้ผู้ปฏิบัติงานบาดเจ็บได้

▲ **ข้อควรระวัง:** สวมแว่นตานิรภัยหรือหน้ากากป้องกัน ใบหน้าเสมอเมื่อปฏิบัติงาน

▲ **ข้อควรระวัง:** หลังจากปฏิบัติงาน ให้ปิดเครื่องมือ เสมอและรอจนกว่าใบเจียจะหยุดสนิท แล้วจึงวางเครื่องมือลง

▲ **ข้อควรระวัง:** ใช้มือข้างหนึ่งถือเครื่องมือให้แน่นที่ตัว เครื่องมือและมีอีกข้างจับที่ด้ามจับ (มือจับ) ด้านข้างเสมอ

**หมายเหตุ:** ล้อเหล็กประสงด์สามารถใช้ได้ทั้งสำหรับการ ทำงานขัดและตัด

โปรดดู "การทำงานด้วยล้อ/จาน" สำหรับการทำงานขัด และโปรดดู "การใช้งานกับล้อตัดแบบขัด/ลูกล้อเพชร" สำหรับการทำงานตัด

## การทำงานด้วยล้อ/จาน

### ► หมายเลข 27

เปิดเครื่องมือแล้วใช้ใบเจียหรือจานขัดกับชิ้นงาน โดยทั่วๆ ไป ควรให้ขอบใบเจียหรือจานขัดให้ทำมุมกับชิ้นงานประมาณ 15°

ระหว่างช่วงเบรกอินกับใบเจียใหม่ อย่าดันเครื่องขัดไปข้างหน้า มิฉะนั้นเครื่องขัดจะตัดเข้าไปในชิ้นงาน เมื่อขอบของใบเจียมนเนื่องจากการใช้งานแล้ว ใบเจียสามารถใช้งานได้ทั้งในทิศทางเดินหน้าและถอยหลัง

## การใช้งานกับล้อตัดแบบขีด/ลูกล้อเพชร

### อุปกรณ์เสริม

**คำเตือน:** อย่าทำให้ลูกล้อ “ติด” หรือใช้แรงดันมากเกินไป อย่าพยายามทำความสะอาดลูกในการตัดมากเกินไป การกดดันลูกล้อมากเกินไปจะเป็นการเพิ่มการโหลดและความไวที่ลูกล้อจะเกิดการบิดหรือการตีขัดระหว่างการตัด และอาจเกิดการตีกลับหรือลูกล้อแตก และมอเตอร์ร้อนเกินไป

**คำเตือน:** อย่าเริ่มการตัดโดยที่เครื่องมือคಾಯู่ในชิ้นงาน ปล่อยให้ใบเจียทำความเร็วสูงสุดและสอดเข้าไปในรอยตัดอย่างระมัดระวัง โดยขยับเครื่องมือไปข้างหน้าบนพื้นผิวชิ้นงาน ลูกล้ออาจติดขัด ดึงหรือตีกลับได้หากเริ่มใช้เครื่องมือไฟฟ้าระหว่างที่ยังคಾಯู่ในชิ้นงาน

**คำเตือน:** ระหว่างการตัด ห้ามเปลี่ยนมุมของใบเจีย การใช้แรงดันด้านข้างกับล้อตัด (เช่นเดียวกับในการขัด) จะทำให้ใบเจียเกิดรอยร้าวและแตก ทำให้เกิดการบาดเจ็บร้ายแรงได้

**คำเตือน:** ลูกล้อเพชรจะต้องทำงานแบบตั้งฉากกับวัสดุที่จะตัด

ตัวอย่างการใช้งาน: การใช้งานกับล้อตัดแบบขีด

### ► หมายเลข 28

ตัวอย่างการใช้งาน: การใช้งานกับลูกล้อเพชร

### ► หมายเลข 29

## การทำงานกับแปรงลวดถั่ว

### อุปกรณ์เสริม

**คำเตือน:** ตรวจสอบการทำงานของแปรงโดยเปิดเครื่องมือให้หมุนเปล่า ตรวจสอบว่าไม่มีใครอยู่ข้างหน้าหรืออยู่ในแนวเดียวกับแปรง

ตัวอย่างการใช้งาน: การใช้งานกับแปรงลวดถั่ว

### ► หมายเลข 30

**ข้อสังเกต:** หลีกเลี่ยงการใช้แรงดันมากเกินไปซึ่งจะทำให้ลวดงอมากเกินไปขณะใช้แปรง และอาจทำให้อุปกรณ์เสียหายก่อนเวลาอันควร

## การทำงานกับแปรงลวดกลม

### อุปกรณ์เสริม

**คำเตือน:** ตรวจสอบการทำงานของแปรงลวดกลมโดยเปิดเครื่องมือให้หมุนเปล่า ตรวจสอบว่าไม่มีใครอยู่ข้างหน้าหรืออยู่ในแนวเดียวกับแปรงลวดกลม

ตัวอย่างการใช้งาน: การใช้งานกับแปรงลวดกลม

### ► หมายเลข 31

**ข้อสังเกต:** หลีกเลี่ยงการใช้แรงดันมากเกินไปซึ่งจะทำให้ลวดงอมากเกินไปขณะใช้แปรงลวดกลม และอาจทำให้อุปกรณ์เสียหายก่อนเวลาอันควร

## การทำงานด้วยหัวตัดรู

### อุปกรณ์เสริม

**คำเตือน:** ตรวจสอบการทำงานของหัวตัดรูโดยการปล่อยให้เครื่องมือทำงานแบบหมุนเปล่า ตรวจสอบให้แน่ใจว่าไม่มีใครอยู่ด้านหน้าของหัวตัดรู

**ข้อสังเกต:** อย่าเอียงเครื่องมือในระหว่างการทำงาน เนื่องจากอาจทำให้อุปกรณ์เสียหายก่อนเวลาอันควร

ตัวอย่างการใช้งาน: การทำงานด้วยหัวตัดรู

### ► หมายเลข 32

## การบำรุงรักษา

**⚠ ข้อควรระวัง:** ตรวจสอบให้แน่ใจว่าได้ปิดสวิทช์เครื่องมือและถอดปลั๊กออกก่อนทำการตรวจสอบหรือบำรุงรักษา

**ข้อสังเกต:** อย่าใช้น้ำมันเชื้อเพลิง เบนซิน ทินเนอร์ แอลกอฮอล์ หรือวัสดุประเภทเดียวกัน เนื่องจากอาจทำให้สีซีดจาง เสียรูป หรือแตกร้าวได้

เพื่อความปลอดภัยและนำเชื้อถือของผลิตภัณฑ์ ควรให้ศูนย์บริการหรือโรงงานที่ผ่านการรับรองจาก Makita เป็นผู้ดำเนินการซ่อมแซม บำรุงรักษาและทำการปรับตั้งอื่นๆ นอกจากนี้ให้ใช้อะไหล่ของแท้จาก Makita เสมอ

## การทำความสะอาดด้วยการระบายอากาศ

เครื่องมือและช่องระบายอากาศของเครื่องมือต้องสะอาดอยู่เสมอ ทำความสะอาดช่องระบายอากาศของเครื่องมือให้เป็นประจำหรือเมื่อใดก็ตามที่ช่องระบายอากาศเริ่มถูกปิดกั้น

▶ หมายเลข 33: 1. การระบายไอเสีย 2. การดูดลม

## ความเข้ากันได้ของการใช้งานและอุปกรณ์เสริม

### อุปกรณ์เสริม

- ⚠ ข้อควรระวัง:** การใช้เครื่องมือกับที่ป้องกันที่ไม่เหมาะสมอาจทำให้เกิดความเสี่ยงดังต่อไปนี้
- เมื่อใช้ที่ป้องกันล๊อตสำหรับการขีดผิวหน้าชิ้นงาน ที่ป้องกันล๊อตอาจกีดขวางชิ้นงานซึ่งทำให้ควบคุมได้ยาก
  - เมื่อใช้ที่ป้องกันล๊อตสำหรับการทำงานตัดกับวงล้อขัดและลูกล้อเพชร จะมีความเสี่ยงเพิ่มขึ้นที่ล๊อตที่กำลังหมุนจะปล่อยประกายไฟและอนุภาค รวมถึงเศษแตกจากล๊อตในกรณีที่ล๊อตระเบิด
  - เมื่อใช้ที่ป้องกันล๊อตหรือที่ป้องกันล๊อตสำหรับการทำงานขีดพื้นผิวกับลูกล้อเพชรประเภทถ้วย ที่ป้องกันล๊อตอาจกีดขวางชิ้นงานซึ่งทำให้ควบคุมได้ยาก
  - เมื่อใช้ที่ป้องกันล๊อตหรือที่ป้องกันล๊อตกับแรงกดประเภทลูกล้อซึ่งมีความหนาแน่นมากกว่าความหนาแน่นสูงสุดที่ระบุใน "ข้อมูลจำเพาะ" ลวดอาจติดกับที่ป้องกันซึ่งอาจทำให้ลวดขาดได้
  - การใช้ที่ป้องกันล๊อตแบบเก็บฝุ่นสำหรับการทำงานตัดและงานขีดพื้นผิวคอนกรีตหรืออิฐจะช่วยลดความเสี่ยงที่คุณจะสัมผัสกับฝุ่น
  - เมื่อใช้ล้ออนุกรมประสงค์ซึ่งมีแกนยึด (ล๊อตที่สามารถใช้ขัดและตัดแบบขัดได้) ให้ใช้เฉพาะที่ป้องกันล๊อต

▶ หมายเลข 34

เฉพาะสำหรับรุ่น GA4593 / GA4594 / GA5093 / GA5094

-	การใช้งาน	รุ่น 115 mm	รุ่น 125 mm
1	-	ด้ามจับด้านข้าง	
2	-	ที่ป้องกันล๊อต (สำหรับใบเจีย)	
3	-	แกนตัวใน	
4	การขีด / การขีดด้วยกระดาษทราย	ใบเจียศูนย์จัม / งานทรายซ้อน	
5	-	น็อตล๊อต	
6	-	อีซีนีออต *1*2	
7	-	แผ่นรอง	



-	การใช้งาน	รุ่น 115 mm	รุ่น 125 mm
8	การขัด / การขัดด้วยกระดาษทราย	ใบเจียแบบยึดหยุ่น	
9	-	แผ่นยาง 100	แผ่นยาง 115
10	การขัดด้วยกระดาษทราย	จานขัด	
11	-	น็อตล็อกขัดกระดาษทราย	
12	การขัดด้วยแปรงลวด	แปรงลวดกลม	
13	การขัดด้วยแปรงลวด	แปรงลวดถั่ว	
14	การตัดรู	หัวตัดรู	
15	-	ที่ป้องกันล้อ (สำหรับล้อตัด)	
16	การตัด	ล้อตัดแบบขัด / ลูกล้อเพชร	
17	การขัด / การตัด	ล้อเนกประสงค์	
18	-	ที่ป้องกันล้อตัดแบบหนีบ *3	
19	-	ที่ป้องกันล้อแบบเก็บฝุ่นสำหรับการตัด	
20	การตัด	ลูกล้อเพชร	
21	-	ที่ป้องกันล้อแบบเก็บฝุ่นสำหรับการขัด	
22	การขัด	ลูกล้อเพชรประเภทถั่ว	
-	-	ประแจขันน็อตล็อก	
-	-	ที่ต่อฝาครอบกันฝุ่น	

เฉพาะสำหรับรุ่น GA4595 / GA5095

-	การใช้งาน	รุ่น 115 mm	รุ่น 125 mm
1	-	ด้ามจับด้านข้าง	
2	-	ที่ป้องกันล้อ (สำหรับล้อขัด)	
3	-	แกนตัวโน / แกนซูเปอร์ *1*2	
4	การขัด / การขัดด้วยกระดาษทราย	ใบเจียศูนย์จัม / จานทรายซ้อน	
5	-	น็อตล็อก	
6	-	อีซีน็อต *1*2	
7	-	แผ่นรอง	
8	การขัด / การขัดด้วยกระดาษทราย	ใบเจียแบบยึดหยุ่น	
9	-	แผ่นยาง 100	แผ่นยาง 115
10	การขัดด้วยกระดาษทราย	จานขัด	
11	-	น็อตล็อกขัดกระดาษทราย	

-	การใช้งาน	รุ่น 115 mm	รุ่น 125 mm
12	การขัดด้วยแปรงลวด	แปรงลวดกลม	
13	การขัดด้วยแปรงลวด	แปรงลวดถ้วย	
14	การตัดรู	หัวตัดรู	
15	-	ที่ป้องกันล้อย (สำหรับล้อตัด)	
16	การตัด	ล้อตัดแบบขัด / ลูกล้อเพชร	
17	การขัด / การตัด	ล้ออเนกประสงค์	
18	-	ที่ป้องกันล้อตัดแบบหนีบ *3	
19	-	ที่ป้องกันล้อแบบเก็บฝุ่นสำหรับการตัด	
20	การตัด	ลูกล้อเพชร	
21	-	ที่ป้องกันล้อแบบเก็บฝุ่นสำหรับงานขัด	
22	การขัด	ลูกล้อเพชรประเภทถ้วย	
-	-	ประแจขันน็อตล้อ	
-	-	ที่ต่อฝาครอบกันฝุ่น	

หมายเหตุ: \*1 อย่าใช้แกนซูเปอร์กับอีซีซีที่เชื่อมต่อกัน

หมายเหตุ: \*2 เฉพาะสำหรับเครื่องมือที่มีแกนหมุน M14

หมายเหตุ: \*3 ชุดที่ป้องกันล้อตัดแบบคลิกไม่มีจำหน่ายในบางประเทศ สำหรับรายละเอียดเพิ่มเติม โปรดอ้างอิงคู่มือการใช้งานของชุดที่ป้องกันล้อตัดแบบคลิก

หมายเหตุ: อย่าใช้แกนซูเปอร์กับเครื่องขัดที่มาพร้อมกับฟังก์ชันเบรก

## อุปกรณ์เสริม

**⚠ ข้อควรระวัง:** ขอแนะนำให้ใช้เฉพาะอุปกรณ์เสริมหรืออุปกรณ์ต่อพ่วงเหล่านี้กับเครื่องมือ Makita ที่ระบุในคู่มือการใช้ อุปกรณ์เสริมหรืออุปกรณ์ต่อพ่วงอื่นๆ อาจมีความเสี่ยงที่จะได้รับบาดเจ็บ ใช้ อุปกรณ์เสริมหรืออุปกรณ์ต่อพ่วงตามวัตถุประสงค์ที่ระบุไว้เท่านั้น

หากต้องการทราบรายละเอียดเพิ่มเติมเกี่ยวกับอุปกรณ์เสริมเหล่านี้ โปรดสอบถามศูนย์บริการ Makita ใกล้บ้านคุณ

- รายการอุปกรณ์เสริมใน “ความเข้ากันได้ของการใช้งานและอุปกรณ์เสริม”

หมายเหตุ: อุปกรณ์บางรายการอาจรวมอยู่ในชุดเครื่องมือเป็นอุปกรณ์มาตรฐาน ซึ่งอาจแตกต่างกันไปในแต่ละประเทศ



**Makita Corporation**  
3-11-8, Sumiyoshi-cho,  
Anjo, Aichi 446-8502 Japan  
[www.makita.com](http://www.makita.com)

885984-378  
EN, ZHCN, ID, MS,  
VI, TH  
20220711