



Cordless Cleaner DCL283F / DCL284F / DCL286F

	Max air flow	Max sealed suction
DCL283F	1.1 m ³ /min	17.5 kPa
DCL284F	1.2 m ³ /min	18 kPa
DCL286F	1.0 m ³ /min	



18V
LITHIUM-ION

photo: DCL286F

Accessories

Snow-white Makita-blue Black

Nozzle assembly*
For floor
Part No.
127825-8
127827-4
127828-2

Nozzle assembly
For floor/carpet
Part No.
191X06-4

Nozzle assembly
For floor
Part No.
123486-2
123488-8
123539-7

Sheet Nozzle
Part No.
199038-1
199041-2
199039-9

Flexible hose
Part No. 191E30-3

Flexible hose
Part No.
198868-7
198545-1
198547-7

Sash nozzle*
Part No.
451240-7
451243-1
413809-5

Long sash nozzle
Part No.
198919-6
198990-0
198992-6

Nozzle holder*
Part No.
459354-6
459355-4
459038-6

Round brush
Part No.
198878-4
198553-2
198555-8

Crevice nozzle 415
Part No. 199439-3

Shelf brush
Part No.
198873-4
198538-8
198540-1

Straight pipe set 340
For Cyclone attachment set
Part No.
191D76-3
191D78-9
191D77-1

Straight pipe with pipe lock*
Part No.
459353-8
459356-2
458942-6

Straight pipe with pipe lock
Part No. 1910Y3-1
L: 479-719mm

DCL283F / DCL284F only

Filter set
Part No. 443060-3

Pre-filter
Part No. 451208-3

Easy shake off filter B set
Part No. 199966-0

Filter H set
Part No. 199989-8
HEPA filter

DCL283F / DCL284F only

Cyclone attachment set with pipe lock
Part No.
191D71-3
191D73-9

Holder Set
Part No. 199971-7

Tool bag set
Part No. 199901-8
LxWxH:
600x210x
190mm

For all 3 models

Cyclone unit set
Part No.
1910D3-4
1910D5-0

Only for Cyclone unit set

High performance filter set
Part No. 1910C7-9

Filter H set
Part No. 1910C9-5
HEPA filter

*Standard Equipment

Charging Time

	DC18RC	DC18SD
BL1815N 1.5Ah 196449-1	15 min	30 min
BL1820B 2.0Ah 197254-9	24 min	45 min
BL1830B 3.0Ah 197599-5	22 min	60 min
BL1850B 5.0Ah 197280-8	45 min	110 min
BL1860B 6.0Ah 197422-4	55 min	130 min

Cordless Cleaner			
DCL283F / DCL284F / DCL286F			
	DCL283F	DCL284F	DCL286F
Electronic 4-Speed DCL284F/DCL286F only			
Built-in Job Light			
Capacity	730 mL	730 mL	Cyclone: 250 mL
Continuous Use	w/ BL1830B: 10 min	w/ BL1830B, Mode 1 / 2 / 3 / 4: 38 / 21 / 15 / 8	w/ BL1830B, Mode 1 / 2 / 3 / 4: 38 / 21 / 15 / 8
Max air flow	1.1 m ³ /min	1.2 m ³ /min	1.0 m ³ /min
Max sealed suction	17.5 kPa	18 kPa	18 kPa
Noise level	63 dB(A)	Mode 1 / 2 / 3 / 4: 54 / 60 / 62 / 65 dB(A)	Mode 1 / 2 / 3 / 4: 55 / 60 / 62 / 66 dB(A)
Dimensions (L x W x H)	w/o Pipe & Nozzle, w/ BL1830B: 503 x 113 x 155 mm (19-3/4 x 4-7/16 x 6-1/8")	w/o Pipe & Nozzle, w/ BL1830B: 503 x 113 x 153 mm (19-3/4 x 4-7/16 x 6")	w/ BL1830B: 543 x 113 x 177 mm (21-3/8 x 4-7/16 x 7")
	w/ Pipe & Nozzle, w/ BL1830B: 1,066 x 113 x 155 mm (42 x 4-7/16 x 6-1/8")	w/ BL1830B: 1,066 x 113 x 153 mm (42 x 4-7/16 x 6")	w/ BL1830B: 1,106 x 113 x 177 mm (43-1/2 x 4-7/16 x 7")
Net weight	1.3 - 1.6 kg (2.9 - 3.5 lbs.)	1.3 - 1.6 kg (2.9 - 3.5 lbs.)	1.6 - 1.9 kg (3.5 - 4.2 lbs.)
Standard Equipment: Nozzle assembly, Sash nozzle, Nozzle holder, Straight pipe, Easy shake off filter EX (DCL283F, DCL284F), Easy shake off filter (DCL286F), Battery, Charger			

The weight does not include accessories but battery cartridge(s). The lightest and heaviest combination weight of the appliance and battery cartridge(s) are shown in the table. Items of standard equipment and specifications may vary by country or area.

DCL283F



DCL284F



DCL286F



Makita Singapore Pte Ltd
7, Changi South Street 3, Singapore 486348
Phone : +65-6546-8700 Fax : +65-6546-8711
Email : msgproductteam@makita.com.sg
Website : www.makita.com.sg
Facebook : www.facebook.com/MakitaSG

MakitaSG
 VISIT OUR WEBSITE
 DOWNLOAD LEAFLET
 PRINTED IN SINGAPORE





photo: DCL284F

18V LXT BL Cordless Cleaner

Capsule type

Dust capacity **730 mL**



photo: DCL283F

Improved dust-resistance

When capsule is installed securely, two ribs inside capsule press the inside frame of filter to hold the filter tight.



DCL283F

Trigger switch



DCL284F

One-touch push button switch

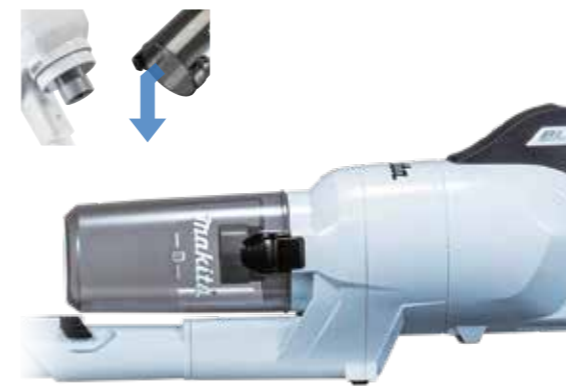


HEPA filter



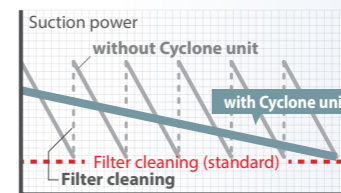
Integrated cyclone unit

Dust capacity **250 mL**



Integrated Cyclone unit

The filter is less clogged due to separation of fine dust through a cyclone air flow, reducing the decrease in vacuum power of cleaner.



the amount of dust that can be sucked before filter maintenance

DCL286F

One-touch push button switch

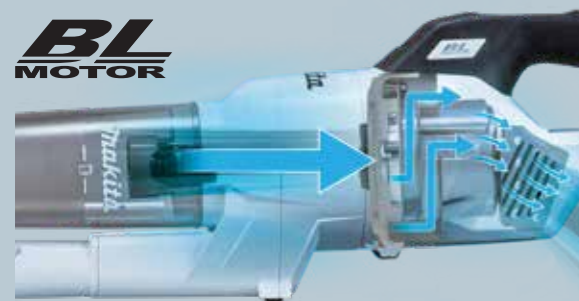


Easy filter setting
Filter can be fixed with a single push.



High suction power and Low noise level

- Achieved by redesigning the exhaust air flow path of the motor to reduce wind noise.
- Equipped with high-speed BL motor to ensure high suction power.



Low noise

DCL283F

63 [Mode 4] dB(A)

DCL284F **65** [Mode 4] dB(A)

DCL286F **66** [Mode 4] dB(A)

Redesigned Floor/ Carpet T-nozzle

- Redesigned structure reduces the resistance caused by suction, providing smooth running.
- Redesigned inside air flow path reduces the noise made inside the nozzle.



Trigger switch + Sliding lock-on switch

(DCL283F only)

allows for long continuous cleaning with less fatigue.

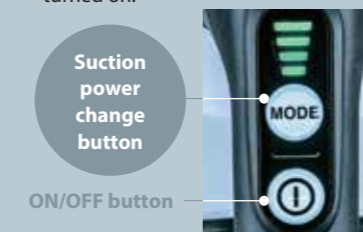


By moving ① sliding lock-on switch to ON position, ② interlocking trigger switch can be locked on for continuous cleaning.

4-suction power mode selection with mode memory function

(DCL284F / DCL286F only)

- The cleaner can memorize a previous power mode and resume vacuuming at the same mode as last time user turned off for user convenience.
- Power mode can be selected before the cleaner is turned on.



Single LED job light

also functions as a battery capacity warning lamp.



Pipe locking mechanism

Pipe is fixed with the locking mechanism to prevent it from accidentally coming off.



Pipe with beveled end

Cleaning of tight places can be done without nozzle by using the beveled end of pipe as a nozzle.

