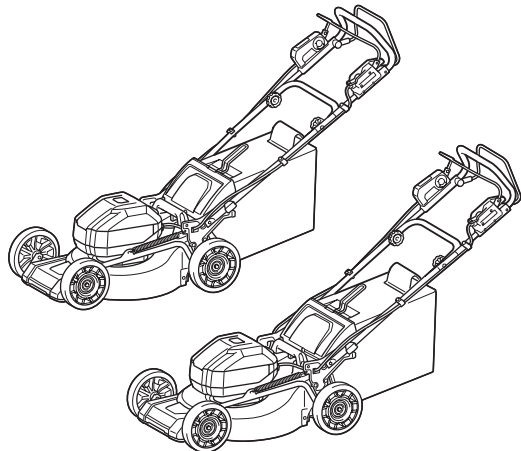
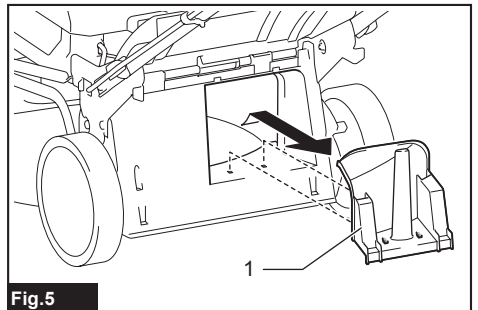
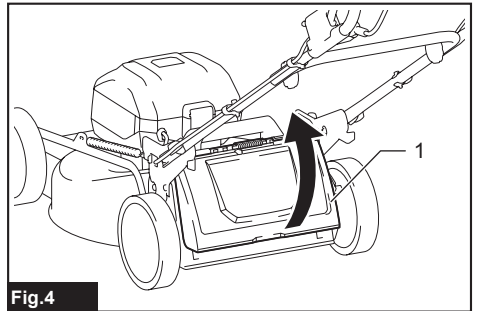
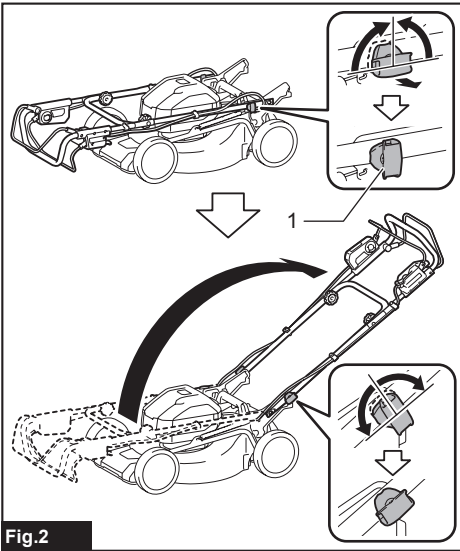
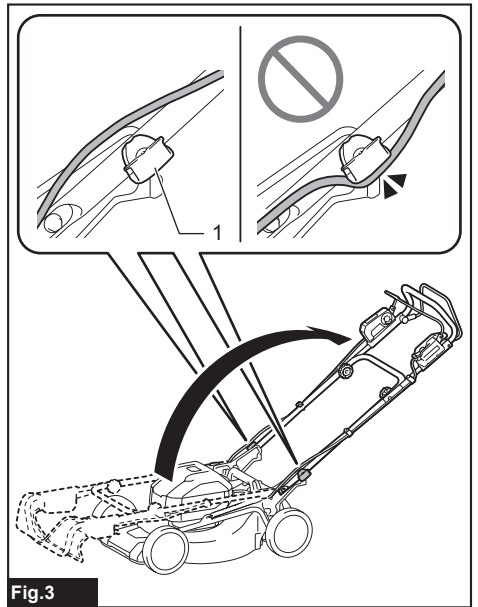
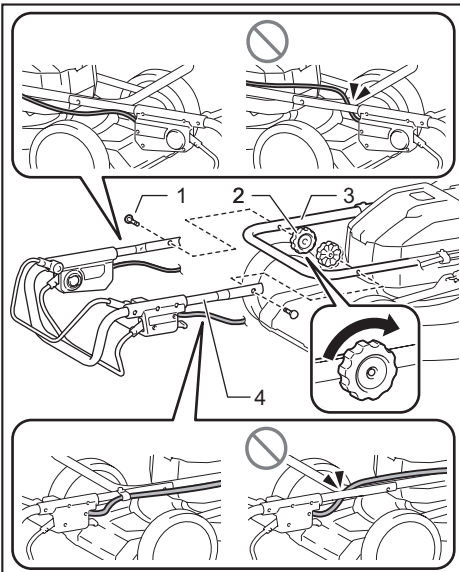


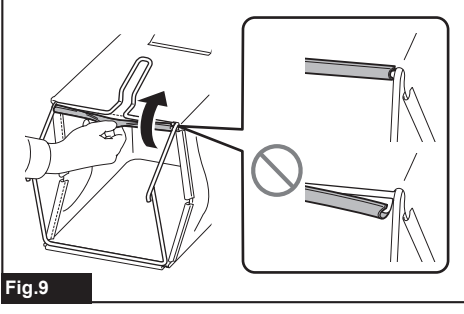
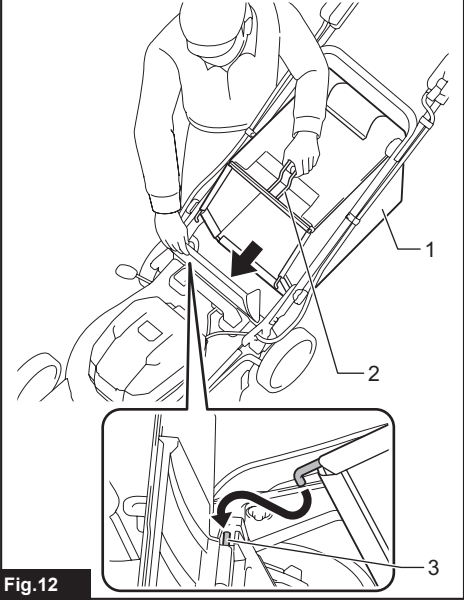
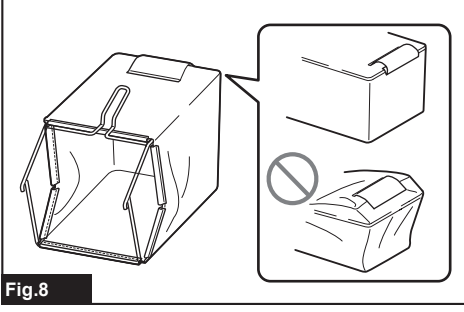
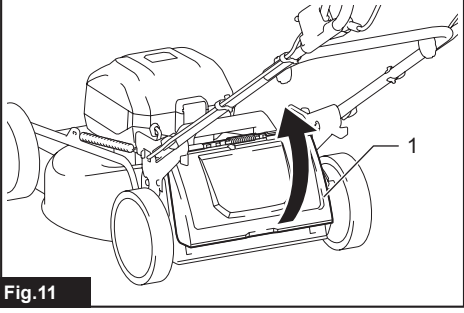
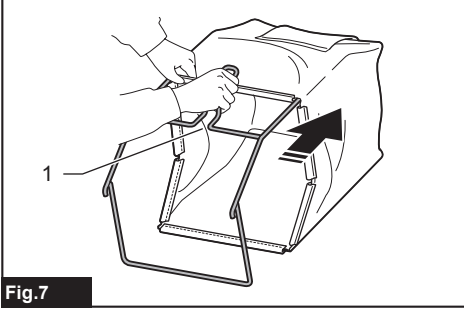
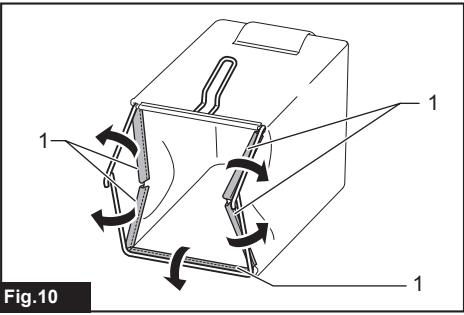
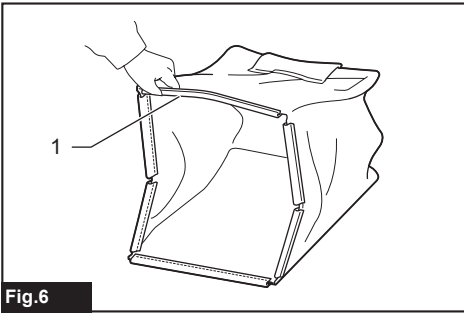


EN	Cordless Lawn Mower	INSTRUCTION MANUAL	10
ZHCN	充电式草坪修剪机	使用说明书	24
ID	Mesin Pemotong Rumput Tanpa Kabel	PETUNJUK PENGGUNAAN	38
MS	Pemangkas Laman Kordles	MANUAL ARAHAN	54
VI	Máy Cắt Cỏ Đẩy Cẩm Tay Hoạt Động Bằng Pin	TÀI LIỆU HƯỚNG DẪN	70
TH	เครื่องตัดหญ้าไร้สาย	คู่มือการใช้งาน	84

LM003J
LM004J







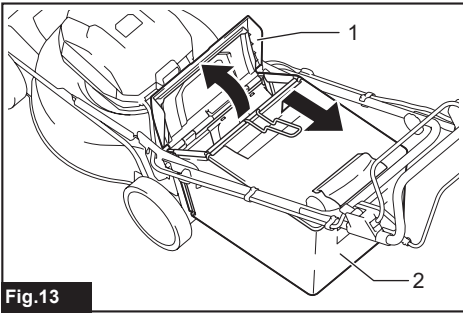


Fig.13

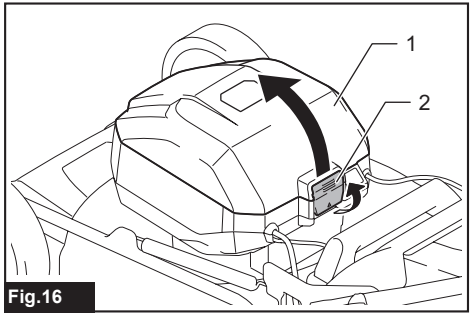


Fig.16

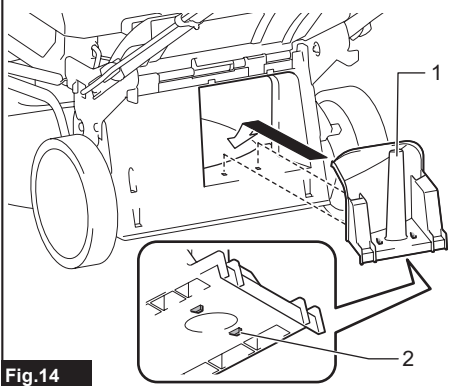


Fig.14

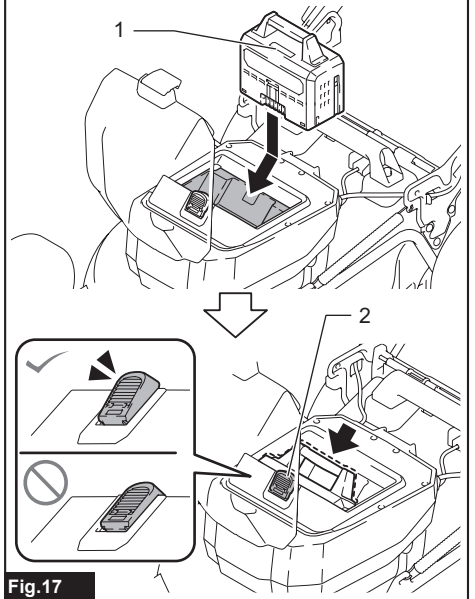


Fig.17

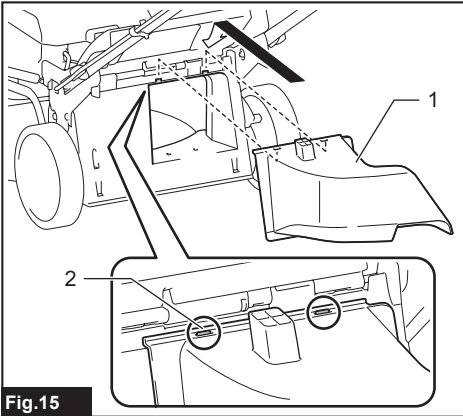


Fig.15

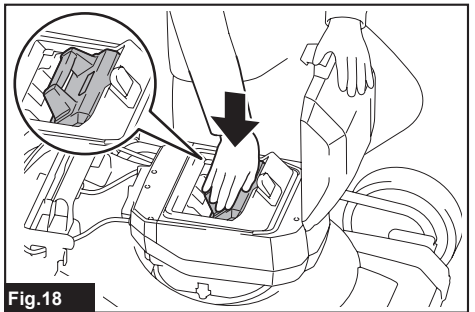


Fig.18

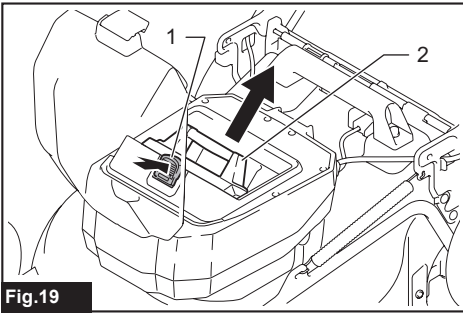


Fig.19

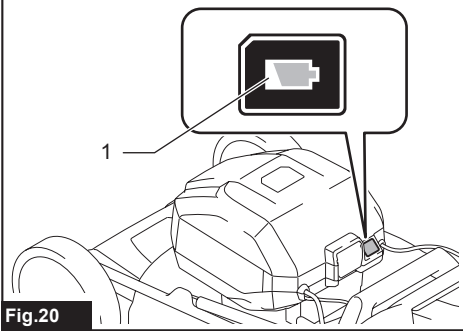


Fig.20

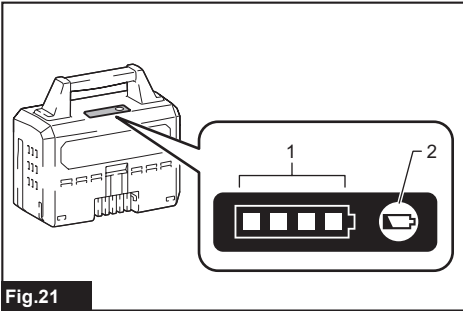


Fig.21

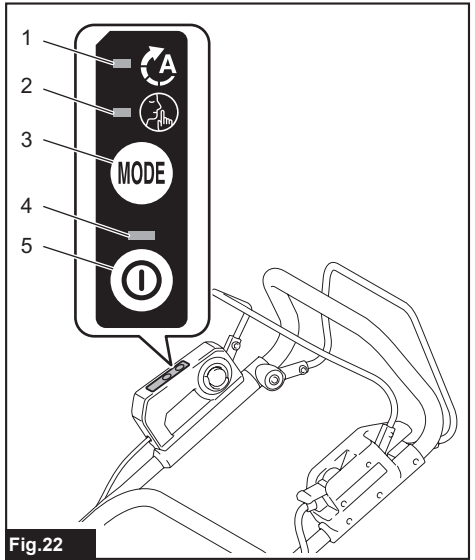


Fig.22

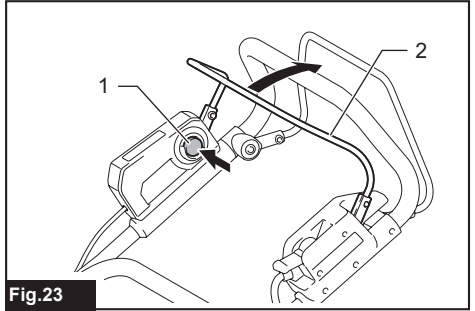


Fig.23

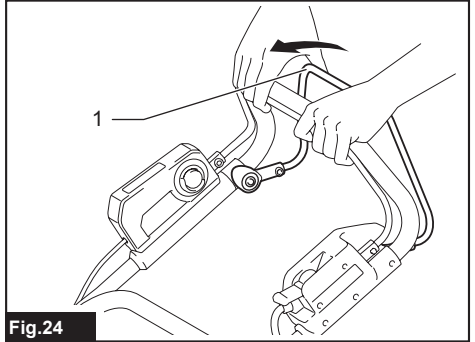


Fig.24

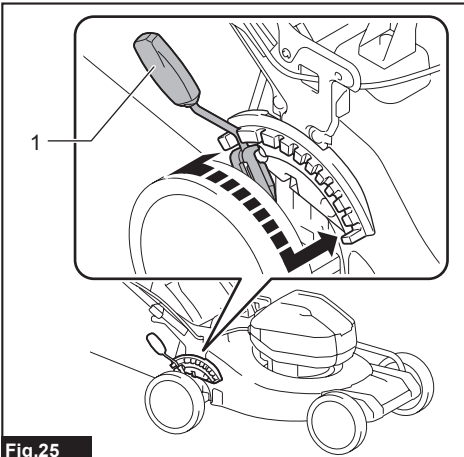


Fig. 25

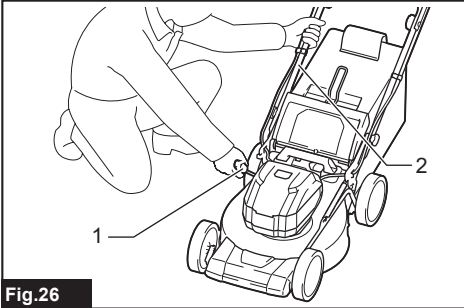


Fig. 26

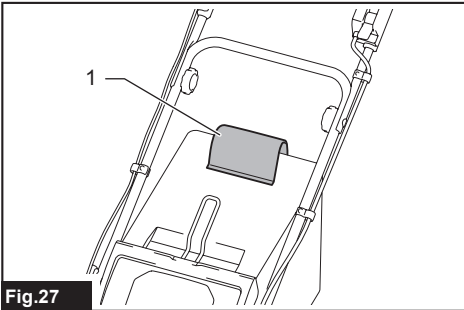


Fig. 27

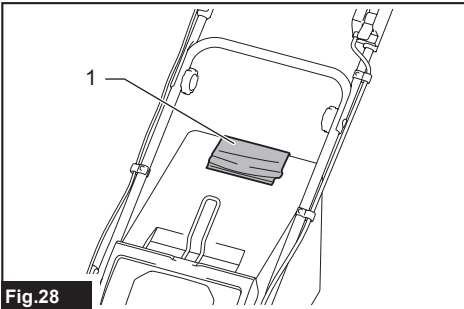


Fig. 28

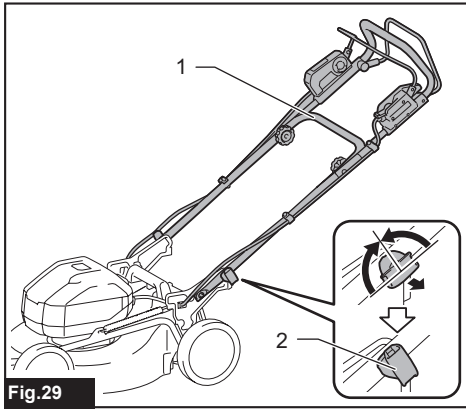


Fig. 29

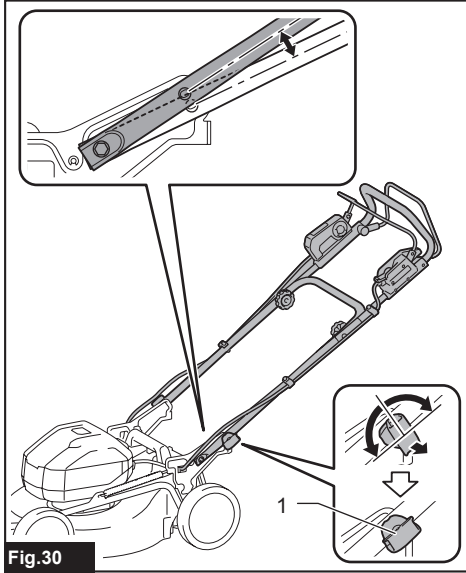


Fig. 30

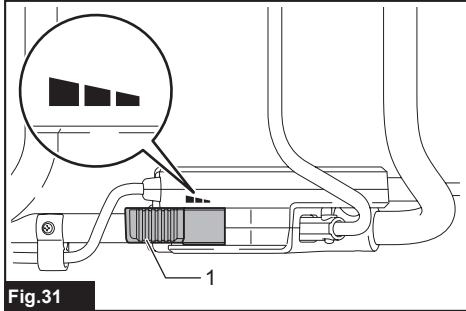


Fig. 31

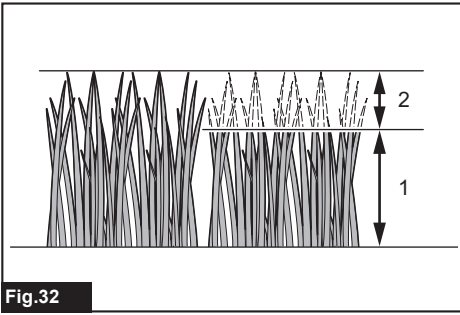


Fig.32

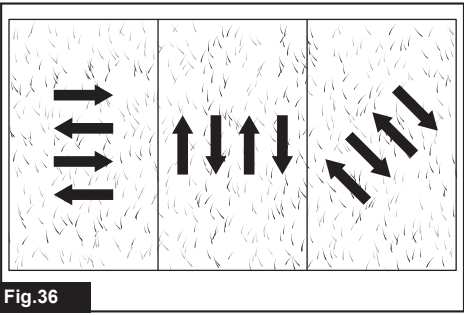


Fig.36



Fig.33

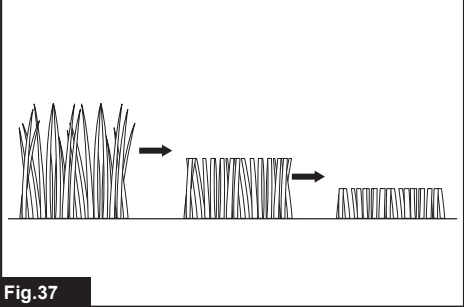


Fig.37

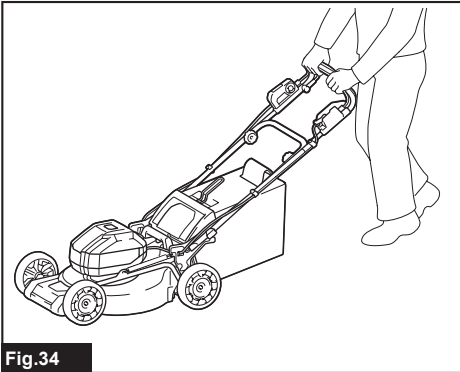


Fig.34

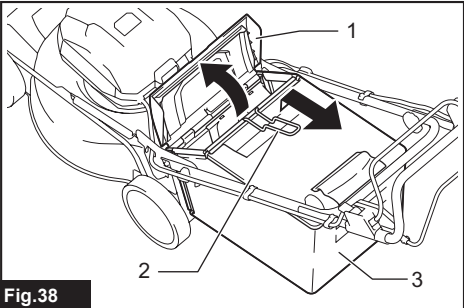


Fig.38

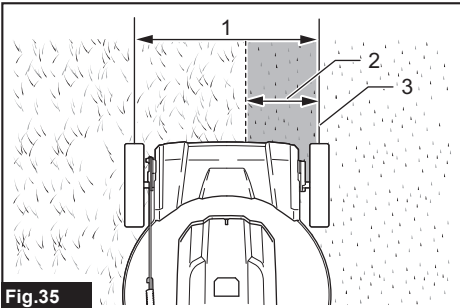


Fig.35

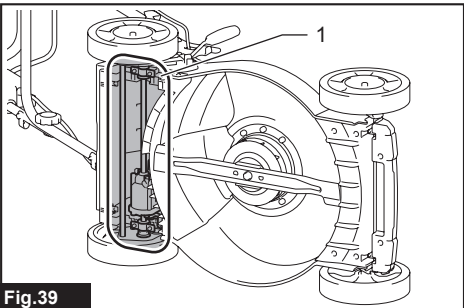


Fig.39

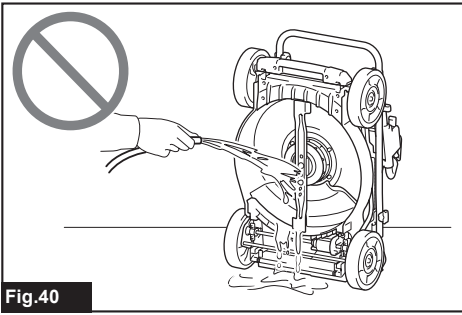


Fig.40

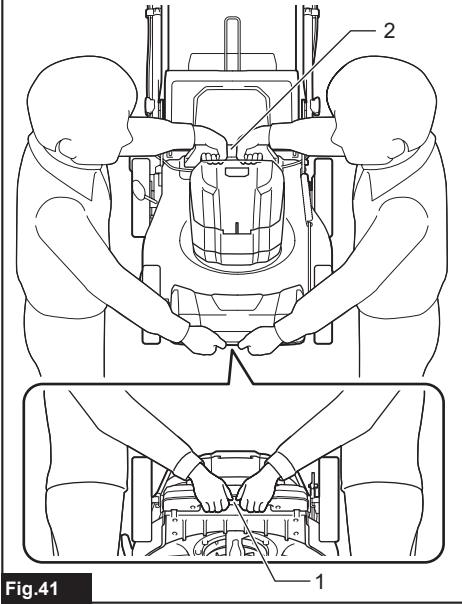


Fig.41

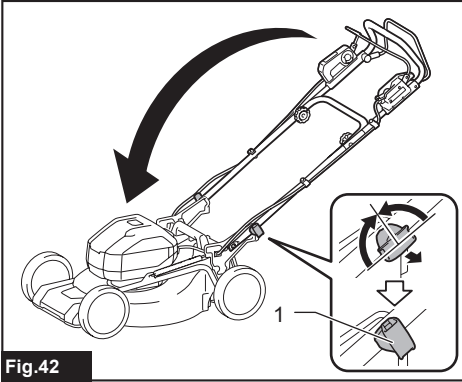


Fig.42

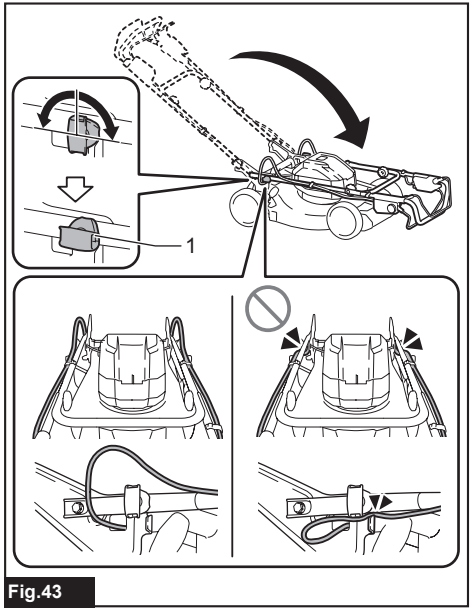


Fig.43

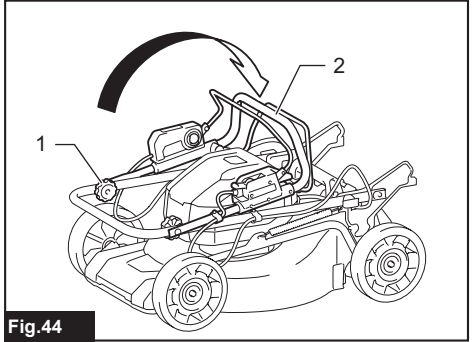


Fig.44

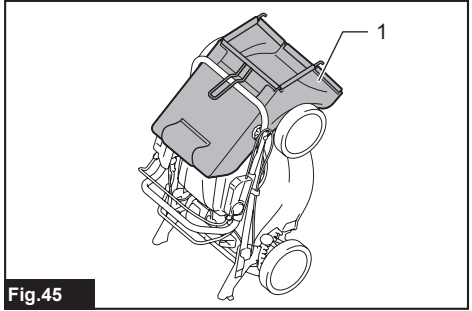
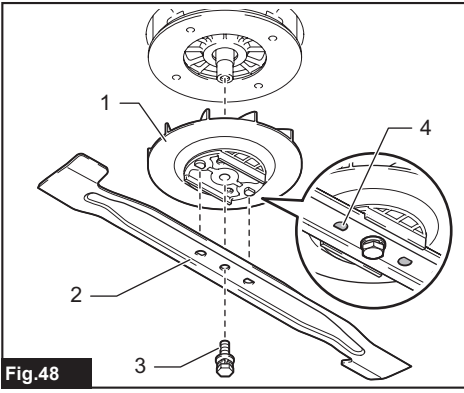
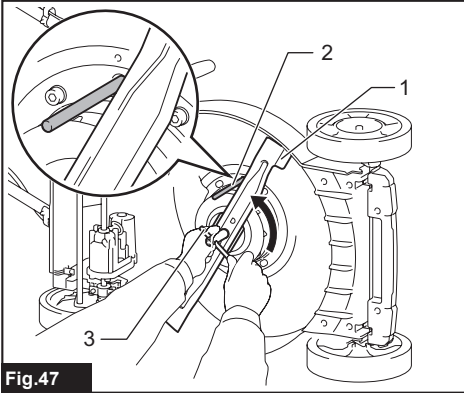
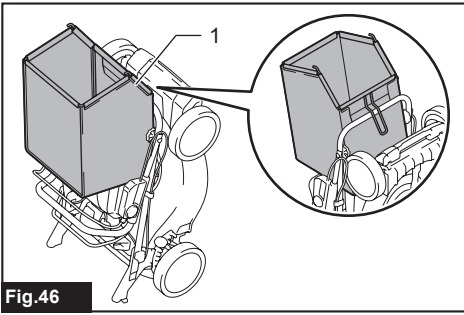


Fig.45



SPECIFICATIONS

Model:		LM003J	LM004J
Mowing width (blade diameter)		480 mm	534 mm
No load speed	Normal mode	3,200 min ⁻¹	2,800 min ⁻¹
	Soft no-load mode	2,500 - 3,200 min ⁻¹	2,300 - 2,800 min ⁻¹
	Noise reduction mode	2,500 min ⁻¹	2,300 min ⁻¹
Part number of replacement mower blade	Straight mower blade	191V97-3	191V96-5
	Straight mower blade *1	-	191W87-2
	Mulching blade	191Y64-6	191Y65-4
Dimensions (L x W x H)	during operation	L: 1,670 mm to 1,745 mm W: 550 mm H: 965 mm to 1,075 mm	L: 1,740 mm to 1,810 mm W: 595 mm H: 970 mm to 1,080 mm
	when stored (without grass basket)	585 mm x 550 mm x 900 mm	580 mm x 595 mm x 930 mm
Traveling speed		1.5 - 6.5 km/h	
Rated voltage		D.C. 57.6 V - 64 V max	
Net weight		30.9 - 33.8 kg	31.5 - 34.6 kg
Protection degree		IPX4	

*1. Mower blade for more efficient collection of grass.

- Due to our continuing program of research and development, the specifications herein are subject to change without notice.
- Specifications may differ from country to country.
- The weight may differ depending on the attachment(s), including the battery cartridge. The lightest and heaviest combinations, according to EPTA-Procedure 01/2014, are shown in the table.

Applicable battery cartridge and charger






Battery cartridge	BL6440
Charger	DC64WA





- Some of the battery cartridges and chargers listed above may not be available depending on your region of residence.

⚠ WARNING: Only use the battery cartridges and chargers listed above. Use of any other battery cartridges and chargers may cause injury and/or fire.

Symbols

The followings show the symbols which may be used for the equipment. Be sure that you understand their meaning before use.

	Do not expose to moisture.
	Take particular care and attention.
	Read instruction manual.
	Danger; be aware of thrown objects.
	The distance between the tool and bystanders must be at least 15 m.

	Never put your hands and feet near the mower blade under the mower. Mower blades continue to rotate after the motor is switched off.
	Warning; Disconnect battery before maintenance.
	Electrical hazard. Contact with water can cause electric shock.
	Do not pour water.



Only for EU countries

Due to the presence of hazardous components in the equipment, waste electrical and electronic equipment, accumulators and batteries may have a negative impact on the environment and human health. Do not dispose of electrical and electronic appliances or batteries with household waste!

In accordance with the European Directive on waste electrical and electronic equipment and on accumulators and batteries and waste accumulators and batteries, as well as their adaptation to national law, waste electrical equipment, batteries and accumulators should be stored separately and delivered to a separate collection point for municipal waste, operating in accordance with the regulations on environmental protection.

This is indicated by the symbol of the crossed-out wheeled bin placed on the equipment.



Guaranteed sound power level according to EU Outdoor Noise Directive.



Sound power level according to Australia NSW Noise Control Regulation.

Intended use

The machine is intended for lawn mowing.

SAFETY WARNINGS

General power tool safety warnings

⚠️ WARNING Read all safety warnings, instructions, illustrations and specifications provided with this power tool. Failure to follow all instructions listed below may result in electric shock, fire and/or serious injury.

Save all warnings and instructions for future reference.

The term "power tool" in the warnings refers to your mains-operated (corded) power tool or battery-operated (cordless) power tool.

Work area safety

1. **Keep work area clean and well lit.** Cluttered or dark areas invite accidents.
2. **Do not operate power tools in explosive atmospheres, such as in the presence of flammable liquids, gases or dust.** Power tools create sparks which may ignite the dust or fumes.
3. **Keep children and bystanders away while operating a power tool.** Distractions can cause you to lose control.

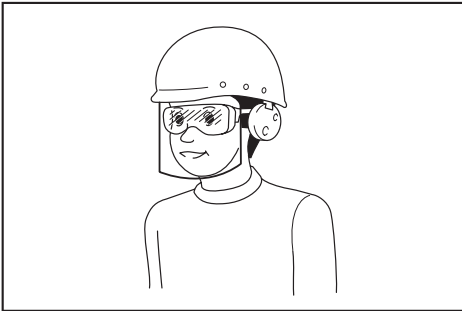
Electrical safety

1. **Power tool plugs must match the outlet. Never modify the plug in any way. Do not use any adapter plugs with earthed (grounded) power tools.** Unmodified plugs and matching outlets will reduce risk of electric shock.
2. **Avoid body contact with earthed or grounded surfaces, such as pipes, radiators, ranges and refrigerators.** There is an increased risk of electric shock if your body is earthed or grounded.
3. **Do not expose power tools to rain or wet conditions.** Water entering a power tool will increase the risk of electric shock.
4. **Do not abuse the cord. Never use the cord for carrying, pulling or unplugging the power tool. Keep cord away from heat, oil, sharp edges or moving parts.** Damaged or entangled cords increase the risk of electric shock.
5. **When operating a power tool outdoors, use an extension cord suitable for outdoor use.** Use of a cord suitable for outdoor use reduces the risk of electric shock.
6. **If operating a power tool in a damp location is unavoidable, use a residual current device (RCD) protected supply.** Use of an RCD reduces the risk of electric shock.
7. **Power tools can produce electromagnetic fields (EMF) that are not harmful to the user.** However, users of pacemakers and other similar medical devices should contact the maker of their device and/or doctor for advice before operating this power tool.

Personal safety

1. **Stay alert, watch what you are doing and use common sense when operating a power tool. Do not use a power tool while you are tired or under the influence of drugs, alcohol or medication.** A moment of inattention while operating power tools may result in serious personal injury.
2. **Use personal protective equipment. Always wear eye protection.** Protective equipment such as a dust mask, non-skid safety shoes, hard hat or hearing protection used for appropriate conditions will reduce personal injuries.
3. **Prevent unintentional starting. Ensure the switch is in the off-position before connecting to power source and/or battery pack, picking up or carrying the tool.** Carrying power tools with your finger on the switch or energising power tools that have the switch on invites accidents.
4. **Remove any adjusting key or wrench before turning the power tool on.** A wrench or a key left attached to a rotating part of the power tool may result in personal injury.
5. **Do not overreach. Keep proper footing and balance at all times.** This enables better control of the power tool in unexpected situations.
6. **Dress properly. Do not wear loose clothing or jewellery. Keep your hair and clothing away from moving parts.** Loose clothes, jewellery or long hair can be caught in moving parts.

7. **If devices are provided for the connection of dust extraction and collection facilities, ensure these are connected and properly used.** Use of dust collection can reduce dust-related hazards.
8. **Do not let familiarity gained from frequent use of tools allow you to become complacent and ignore tool safety principles.** A careless action can cause severe injury within a fraction of a second.
9. **Always wear protective goggles to protect your eyes from injury when using power tools.** The goggles must comply with ANSI Z87.1 in the USA, EN 166 in Europe, or AS/NZS 1336 in Australia/New Zealand. In Australia/New Zealand, it is legally required to wear a face shield to protect your face, too.
7. **Use the power tool, accessories and tool bits etc. in accordance with these instructions, taking into account the working conditions and the work to be performed.** Use of the power tool for operations different from those intended could result in a hazardous situation.
8. **Keep handles and grasping surfaces dry, clean and free from oil and grease.** Slippery handles and grasping surfaces do not allow for safe handling and control of the tool in unexpected situations.
9. **When using the tool, do not wear cloth work gloves which may be entangled.** The entanglement of cloth work gloves in the moving parts may result in personal injury.



It is an employer's responsibility to enforce the use of appropriate safety protective equipments by the tool operators and by other persons in the immediate working area.

Power tool use and care

1. **Do not force the power tool. Use the correct power tool for your application.** The correct power tool will do the job better and safer at the rate for which it was designed.
2. **Do not use the power tool if the switch does not turn it on and off.** Any power tool that cannot be controlled with the switch is dangerous and must be repaired.
3. **Disconnect the plug from the power source and/or remove the battery pack, if detachable, from the power tool before making any adjustments, changing accessories, or storing power tools.** Such preventive safety measures reduce the risk of starting the power tool accidentally.
4. **Store idle power tools out of the reach of children and do not allow persons unfamiliar with the power tool or these instructions to operate the power tool.** Power tools are dangerous in the hands of untrained users.
5. **Maintain power tools and accessories. Check for misalignment or binding of moving parts, breakage of parts and any other condition that may affect the power tool's operation. If damaged, have the power tool repaired before use.** Many accidents are caused by poorly maintained power tools.
6. **Keep cutting tools sharp and clean.** Properly maintained cutting tools with sharp cutting edges are less likely to bind and are easier to control.

Battery tool use and care

1. **Recharge only with the charger specified by the manufacturer.** A charger that is suitable for one type of battery pack may create a risk of fire when used with another battery pack.
2. **Use power tools only with specifically designated battery packs.** Use of any other battery packs may create a risk of injury and fire.
3. **When battery pack is not in use, keep it away from other metal objects, like paper clips, coins, keys, nails, screws or other small metal objects, that can make a connection from one terminal to another.** Shorting the battery terminals together may cause burns or a fire.
4. **Under abusive conditions, liquid may be ejected from the battery; avoid contact. If contact accidentally occurs, flush with water. If liquid contacts eyes, additionally seek medical help.** Liquid ejected from the battery may cause irritation or burns.
5. **Do not use a battery pack or tool that is damaged or modified.** Damaged or modified batteries may exhibit unpredictable behaviour resulting in fire, explosion or risk of injury.
6. **Do not expose a battery pack or tool to fire or excessive temperature.** Exposure to fire or temperature above 130 °C may cause explosion.
7. **Follow all charging instructions and do not charge the battery pack or tool outside the temperature range specified in the instructions.** Charging improperly or at temperatures outside the specified range may damage the battery and increase the risk of fire.

Service

1. **Have your power tool serviced by a qualified repair person using only identical replacement parts.** This will ensure that the safety of the power tool is maintained.
2. **Never service damaged battery packs.** Service of battery packs should only be performed by the manufacturer or authorized service providers.
3. **Follow instruction for lubricating and changing accessories.**

Cordless Lawn Mower Safety Warnings

1. **Do not use the lawnmower in bad weather conditions, especially when there is a risk of lightning.** This decreases the risk of being struck by lightning.
2. **Thoroughly inspect the area for wildlife where the lawnmower is to be used.** Wildlife may be injured by the lawnmower during operation.
3. **Thoroughly inspect the area where the lawnmower is to be used and remove all stones, sticks, wires, bones, and other foreign objects.** Thrown objects can cause personal injury.
4. **Before using the lawnmower, always visually inspect to see that the blade and the blade assembly are not worn or damaged.** Worn or damaged parts increase the risk of injury.
5. **Check the grass catcher frequently for wear or deterioration.** A worn or damaged grass catcher may increase the risk of personal injury.
6. **Keep guards in place. Guards must be in working order and be properly mounted.** A guard that is loose, damaged, or is not functioning correctly may result in personal injury.
7. **Keep all cooling air inlets clear of debris.** Blocked air inlets and debris may result in overheating or risk of fire.
8. **While operating the lawnmower, always wear non-slip and protective footwear. Do not operate the lawnmower when barefoot or wearing open sandals.** This reduces the chance of injury to the feet from contact with the moving blade.
9. **While operating the lawnmower, always wear long trousers.** Exposed skin increases the likelihood of injury from thrown objects.
10. **Do not operate the lawnmower in wet grass. Walk, never run.** This reduces the risk of slipping and falling which may result in personal injury.
11. **Do not operate the lawnmower on excessively steep slopes.** This reduces the risk of loss of control, slipping and falling which may result in personal injury.
12. **When working on slopes, always be sure of your footing, always work across the face of slopes, never up or down and exercise extreme caution when changing direction.** This reduces the risk of loss of control, slipping and falling which may result in personal injury.
13. **Use extreme caution when reversing or pulling the lawnmower towards you. Always be aware of your surroundings.** This reduces the risk of tripping during operation.
14. **Do not touch blades and other hazardous moving parts while they are still in motion.** This reduces the risk of injury from moving parts.
15. **When clearing jammed material or cleaning the lawnmower, make sure all power switches are off and the battery pack is disconnected.** Unexpected operation of the lawnmower may result in serious personal injury.

⚠WARNING: DO NOT let comfort or familiarity with product (gained from repeated use) replace strict adherence to safety rules for the subject product.

MISUSE or failure to follow the safety rules stated in this instruction manual may cause serious personal injury.

IMPORTANT SAFETY INSTRUCTIONS

⚠WARNING: Read all safety warnings and all instructions. Failure to follow the warnings and instructions may result in electric shock, fire and/or serious injury.

Save all warnings and instructions for future reference.

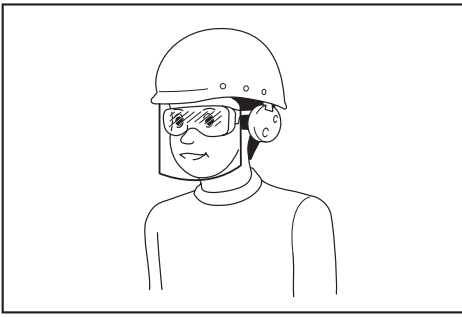
Training

1. **Read the instructions carefully. Be familiar with the controls and the proper use of the mower.**
2. **Never allow children or people unfamiliar with these instructions to use the mower. Local regulations can restrict the age of the operator.**
3. **Never operate the mower while people, especially children, or pets are nearby.**
4. **Keep in mind that the operator or user is responsible for accidents or hazards occurring to other people or their property.**
5. **Children should be supervised to ensure that they do not play with the mower.**
6. **Physical condition - Do not operate mower while under the influence of drugs, alcohol, or any medication.**

Preparation

1. **While operating the mower, always wear substantial footwear and long trousers. Do not operate the mower when barefoot or wearing open sandals. Avoid wearing clothing or jewelry that is loose fitting or that has hanging cords or ties. They can be caught in moving parts.**
2. **Before use, always visually inspect the mower for damaged, missing or misplaced guards or shields.**
3. **Be sure the area is clear of other people before mowing. Stop mower if anyone enters the area.**
4. **Always wear protective goggles to protect your eyes from injury when using power tools. The goggles must comply with ANSI Z87.1 in the USA, EN 166 in Europe, or AS/NZS 1336 in Australia/New Zealand. In Australia/New Zealand, it is legally required to wear a face shield to protect your face, too.**

SAVE THESE INSTRUCTIONS.



It is an employer's responsibility to enforce the use of appropriate safety protective equipments by the tool operators and by other persons in the immediate working area.

5. Check the blades or blade bolts carefully for cracks or damage before operation. Replace cracked or damaged blades or blade bolts immediately.
6. Remove foreign matters such as rocks, wire, bottles, bones and large sticks from the work area before mowing to prevent personal injury or damage to the mower.
7. Objects struck by the mower blade can cause severe injuries to persons. The lawn should always be carefully examined and cleared of all objects prior to each mowing.
8. Watch for holes, ruts, bumps, rocks, or other hidden objects. Uneven terrain could cause a slip and fall accident. Tall grass can hide obstacles.
9. Use personal protective equipment. Always wear eye protection. Protective equipment such as a dust mask, non-skid safety shoes, hard hat or hearing protection used for appropriate conditions will reduce personal injuries.

Operation

1. Do not overreach. Keep the balance at all times. Always be sure of the footing on slopes. Walk, never run.
2. Stop the mower and turn off the machine, and make sure that all moving parts have come to a complete stop:
 - whenever you leave the mower,
 - before clearing blockages or unclogging chute,
 - before checking, cleaning or working on the mower,
 - after striking a foreign object. Inspect the mower for damage and make repairs before restarting and operating the mower,
 - whenever the mower starts vibrating abnormally.
3. Never operate the mower with defective guards or shields, or without safety devices, for example deflectors and/or grass basket, in place.
4. Avoid using the mower in bad weather conditions especially when there is a risk of lightning.
5. Wear eye protection and stout shoes at all times while operating the mower.

6. Operate the mower only in daylight or in good artificial light.
7. Switch on the mower carefully according to instructions and with feet well away from the blade(s).
8. Take care against injury to feet and hands from the mower blades.
9. Always ensure that the ventilation openings are kept clear of debris.
10. Mow across the face of slopes, never up and down. Exercise extreme caution when changing direction on slopes. Do not mow excessively steep slopes.
11. Use extreme caution when reversing or pulling the mower towards you.
12. Stop the blade(s) if the mower has to be tilted for transportation when crossing surfaces other than grass, and when transporting the mower to and from the area to be used.
13. Do not tilt the mower when switching on the motor, except if the mower has to be tilted for starting. In this case, do not tilt it more than absolutely necessary and lift only the part, which is away from the operator. Always ensure that both hands are in the operating position before returning the mower to the ground.
14. Do not put hands or feet near or under rotating parts. Keep clear of the discharge opening at all times.
15. Do not transport the mower while the mower is turned on.
16. Avoid operating the mower in wet grass.
17. Always keep a firm hold on the handle.
18. Don't grasp the exposed cutting blades or cutting edges when picking up or holding the mower.
19. Keep hands and feet away from rotating blades. Caution - Blades coast after the mower is switched off.
20. Stop operation immediately if you notice anything unusual. Switch off the mower. Then inspect the mower.
21. Never attempt to make cutting height adjustments while mower is running if the mower has cutting height adjustment feature.
22. Release switch lever and wait for blade rotation to stop before crossing driveways, walks, roads, and any gravel-covered areas. Also turn off the machine if you leave the mower, reach to pick up or remove something out of your way, or for any other reason that may distract you from what you are doing.
23. If the mower strikes a foreign object, follow these steps:
 - Stop the mower, release the switch lever and wait until the blade comes to a complete stop.
 - Remove the battery cartridge.
 - Thoroughly inspect the mower for any damage.
 - Replace the blade if it is damaged in any way. Repair any damage before restarting and continuing to operate the mower.

24. **Do not start the mower when standing in front of the discharge opening.**
25. **If the mower starts to vibrate abnormally (check immediately)**
 - inspect for damage,
 - replace or repair any damaged parts,
 - check for and tighten any loose parts.
26. **Never direct discharged material toward anyone. Avoid discharging material against a wall or obstruction.** Material may ricochet back toward the operator. Stop the blade when crossing gravel surfaces.
27. **Do not pull the mower backwards unless absolutely necessary.** When you are compelled to back the mower from a fence or other similar obstruction, look down and behind before and while moving backwards.
28. **Shut the motor off and wait until the blade comes to a complete stop before removing the grass catcher.** Beware that the blades coast after turn off.
29. **When you use the machine on muddy ground, wet slope, or slippery place, pay attention to your footing.**
30. **Do not submerge the machine into a puddle.**
31. **When operating the machine, pay attention to piping and wiring.**

Maintenance and storage

1. **Replace worn or damaged parts for safety.** Use only genuine replacement parts and accessories.
2. **Inspect and maintain the mower regularly.**
3. **When not in use, store the mower out of the reach of children.**
4. **Keep all nuts, bolts, and screws tight to be sure the equipment is in safe working condition.**
5. **Check the grass basket frequently for wear or deterioration.** For storage, always make sure the grass basket is empty. Replace a worn grass basket with a new factory replacement for safety.
6. **Use only the manufacturer genuine blades specified in this manual.**
7. **Be careful during adjustment of the mower to prevent entrapment of the fingers between moving blades and fixed parts of the mower.**
8. **Check the blade mounting bolt at frequent intervals for proper tightness.**
9. **Always allow the mower to cool down before storing.**
10. **When servicing the blades be aware that, even though the power source is switched off, the blades can still be moved.**
11. **Never remove or tamper with safety devices.** Check their proper operation regularly. Never do anything to interfere with the intended function of a safety device or to reduce the protection provided by a safety device.
12. **Do not leave the machine unattended outdoors in the rain.**

13. **When storing the machine, avoid direct sunlight and rain, and store it in a place where it does not get hot or humid.**

Battery tool use and care

1. **Recharge only with the charger specified by the manufacturer.** A charger that is suitable for one type of battery pack may create a risk of fire when used with another battery pack.
2. **Use power tools only with specifically designated battery packs.** Use of any other battery packs may create a risk of injury and fire.
3. **When battery pack is not in use, keep it away from other metal objects, like paper clips, coins, keys, nails, screws or other small metal objects, that can make a connection from one terminal to another.** Shorting the battery terminals together may cause burns or a fire.
4. **Under abusive conditions, liquid may be ejected from the battery; avoid contact. If contact accidentally occurs, flush with water. If liquid contacts eyes, additionally seek medical help.** Liquid ejected from the battery may cause irritation or burns.
5. **Do not use a battery pack or tool that is damaged or modified.** Damaged or modified batteries may exhibit unpredictable behaviour resulting in fire, explosion or risk of injury.
6. **Do not expose a battery pack or tool to fire or excessive temperature.** Exposure to fire or temperature above 130 °C may cause explosion.
7. **Follow all charging instructions and do not charge the battery pack or tool outside the temperature range specified in the instructions.** Charging improperly or at temperatures outside the specified range may damage the battery and increase the risk of fire.

Electrical and battery safety

1. **Do not dispose of the battery(ies) in a fire.** The cell may explode. Check with local codes for possible special disposal instructions.
2. **Do not open or mutilate the battery(ies).** Released electrolyte is corrosive and may cause damage to the eyes or skin. It may be toxic if swallowed.
3. **Do not charge battery in rain, or in wet locations.**
4. **Do not charge the battery outdoors.**
5. **Do not handle charger, including charger plug, and charger terminals with wet hands.**
6. **Do not replace the battery in the rain.**
7. **Do not wet the terminal of battery with liquid such as water, or submerge the battery.** Do not leave the battery in the rain, nor charge, use, or store the battery in a damp or wet place. If the terminal gets wet or liquid enters inside of battery, the battery may be short circuited and there is a risk of overheat, fire, or explosion.
8. **After removing the battery from the machine or charger, be sure to attach the battery cover to the battery and store it in a dry place.**
9. **Do not replace the battery with wet hands.**

10. **Avoid dangerous environment. Don't use the machine in dump or wet locations or expose it to rain.** Water entering the machine will increase the risk of electric shock.
11. **If the battery cartridge gets wet, drain the water inside and then wipe it with a dry cloth. Dry the battery cartridge completely in a dry place before use.**

Service

1. **Have your power tool serviced by a qualified repair person using only identical replacement parts.** This will ensure that the safety of the power tool is maintained.
2. **Never service damaged battery packs.** Service of battery packs should only be performed by the manufacturer or authorized service providers.

SAVE THESE INSTRUCTIONS.

⚠WARNING: DO NOT let comfort or familiarity with product (gained from repeated use) replace strict adherence to safety rules for the subject product.

MISUSE or failure to follow the safety rules stated in this instruction manual may cause serious personal injury.

Important safety instructions for battery cartridge

1. **Before using battery cartridge, read all instructions and cautionary markings on (1) battery charger, (2) battery, and (3) product using battery.**
2. **Do not disassemble or tamper with the battery cartridge.** It may result in a fire, excessive heat, or explosion.
3. **If operating time has become excessively shorter, stop operating immediately.** It may result in a risk of overheating, possible burns and even an explosion.
4. **If electrolyte gets into your eyes, rinse them out with clear water and seek medical attention right away.** It may result in loss of your eyesight.
5. **Do not short the battery cartridge:**
 - (1) **Do not touch the terminals with any conductive material.**
 - (2) **Avoid storing battery cartridge in a container with other metal objects such as nails, coins, etc.**
 - (3) **Do not expose battery cartridge to water or rain.**

A battery short can cause a large current flow, overheating, possible burns and even a breakdown.

6. **Do not store and use the tool and battery cartridge in locations where the temperature may reach or exceed 50 °C (122 °F).**
7. **Do not incinerate the battery cartridge even if it is severely damaged or is completely worn out.** The battery cartridge can explode in a fire.

8. **Do not nail, cut, crush, throw, drop the battery cartridge, or hit against a hard object to the battery cartridge.** Such conduct may result in a fire, excessive heat, or explosion.
9. **Do not use a damaged battery.**
10. **The contained lithium-ion batteries are subject to the Dangerous Goods Legislation requirements.**

For commercial transports e.g. by third parties, forwarding agents, special requirement on packaging and labeling must be observed.

For preparation of the item being shipped, consulting an expert for hazardous material is required. Please also observe possibly more detailed national regulations.

Tape or mask off open contacts and pack up the battery in such a manner that it cannot move around in the packaging.

11. **When disposing the battery cartridge, remove it from the tool and dispose of it in a safe place. Follow your local regulations relating to disposal of battery.**
12. **Use the batteries only with the products specified by Makita.** Installing the batteries to non-compliant products may result in a fire, excessive heat, explosion, or leak of electrolyte.
13. **If the tool is not used for a long period of time, the battery must be removed from the tool.**
14. **During and after use, the battery cartridge may take on heat which can cause burns or low temperature burns. Pay attention to the handling of hot battery cartridges.**
15. **Do not touch the terminal of the tool immediately after use as it may get hot enough to cause burns.**
16. **Do not allow chips, dust, or soil stuck into the terminals, holes, and grooves of the battery cartridge.** It may cause heating, catching fire, burst and malfunction of the tool or battery cartridge, resulting in burns or personal injury.
17. **Unless the tool supports the use near high-voltage electrical power lines, do not use the battery cartridge near a high-voltage electrical power lines.** It may result in a malfunction or breakdown of the tool or battery cartridge.
18. **Keep the battery away from children.**

SAVE THESE INSTRUCTIONS.

⚠CAUTION: Only use genuine Makita batteries. Use of non-genuine Makita batteries, or batteries that have been altered, may result in the battery bursting causing fires, personal injury and damage. It will also void the Makita warranty for the Makita tool and charger.

Tips for maintaining maximum battery life

1. **Charge the battery cartridge before completely discharged. Always stop tool operation and charge the battery cartridge when you notice less tool power.**
2. **Never recharge a fully charged battery cartridge. Overcharging shortens the battery service life.**

- Charge the battery cartridge with room temperature at 10 °C - 40 °C (50 °F - 104 °F). Let a hot battery cartridge cool down before charging it.
- When not using the battery cartridge, remove it from the tool or the charger.
- Charge the battery cartridge if you do not use it for a long period (more than six months).

ASSEMBLY

⚠ WARNING: Always be sure that the battery cartridges are removed before carrying out any work on the machine. Failure to remove the battery cartridges may result in serious personal injury from accidental start-up.

⚠ WARNING: Never start the mower unless it is completely assembled. Operation of the machine in a partially assembled state may result in serious personal injury from accidental start-up.

Installing the handle

NOTICE: When installing the handles, be careful not to pinch the cord between the handles. If the cord is damaged, the mower switch may not work.

- Align the hole in the lower handle with the hole in the upper handle, then insert the bolt from outside, and then tighten the thumb nut from inside. Perform the same procedure on the other side.
 - ▶ Fig.1: 1. Bolt 2. Thumb nut 3. Lower handle 4. Upper handle
- Turn the knob 90° while pulling the knob on the lower handle to release the locking pin. Perform the same procedure on the other side. Raise the handle, and then turn the knob on both sides 90°. Make sure that the knobs are securely fixed.
 - ▶ Fig.2: 1. Knob

NOTE: Supporting the handle makes it easier to release the locking pin when pulling the knob.

NOTE: When turning the knob, be careful not to get the cord caught in the knob.

- ▶ Fig.3: 1. Knob

Removing the mulching plug

- Open the rear cover.
 - ▶ Fig.4: 1. Rear cover
- Lift up the mulching plug slightly, and then remove it.
 - ▶ Fig.5: 1. Mulching plug

Assembling the grass basket

- Pick up the upper clip of the grass basket.
 - ▶ Fig.6: 1. Upper clip
- Insert the frame into the grass basket as far as it will go while holding the handle of the frame.
 - ▶ Fig.7: 1. Handle

NOTICE: Do not insert the handle into the grass basket. Be sure to insert the frame along the stitch of the grass basket.

- Make sure that there is no sagging on the corners of the grass basket.
 - ▶ Fig.8
- Open the upper clip, and attach it to the frame.
 - ▶ Fig.9
- Attach all the other clips as shown in the figure. Make sure that all the clips are securely attached to the frame.
 - ▶ Fig.10: 1. Clip

Installing or removing the grass basket

To install the grass basket, follow the steps below.

- Open the rear cover.
 - ▶ Fig.11: 1. Rear cover
- Hold the handle of the grass basket, and then hook the grass basket on the rod of the mower body as shown in the figure.
 - ▶ Fig.12: 1. Grass basket 2. Handle 3. Rod

To remove the grass basket, open the rear cover, and then remove the grass basket by holding the handle.

Attaching the mulching plug

- Open the rear cover, and then remove the grass basket.
 - ▶ Fig.13: 1. Rear cover 2. Grass basket
- Attach the mulching plug by pushing it as far as it will go so that the protrusions on the mulching plug fit into the holes on the machine.
 - ▶ Fig.14: 1. Mulching plug 2. Protrusion

Installing or removing the discharge chute

To install the discharge chute, follow the steps below.

- Open the rear cover, and then remove the grass basket and mulching plug.
- Hook the holes on the discharge chute to the protrusions on the mower body as shown in the figure.
 - ▶ Fig.15: 1. Discharge chute 2. Protrusion

To remove the discharge chute, open the rear cover, and then remove the discharge chute.

FUNCTIONAL DESCRIPTION

Installing or removing battery cartridge

⚠ CAUTION: Always switch off the machine before installing or removing of the battery cartridge.

⚠ CAUTION: Hold the machine and the battery cartridge firmly when installing or removing battery cartridge. Failure to hold the machine and the battery cartridge firmly may cause them to slip off your hands and result in damage to the machine and battery cartridge and a personal injury.

⚠ CAUTION: Make sure that you lock the battery cover before use. Otherwise, mud, dirt, or water may cause damage to the product or the battery cartridge.

⚠ CAUTION: Do not install the battery cartridge forcibly. If the cartridge does not slide in easily, it is not being inserted correctly.

⚠ CAUTION: Hold the battery cover firmly when installing or removing the battery cartridge.

To install the battery cartridge;

1. Pull up the locking lever, and then open the battery cover.

▶ **Fig.16:** 1. Battery cover 2. Locking lever

2. Hold the battery cartridge in the upright position with the indicator lamps facing forward. Insert the battery cartridge into the machine until it is latched with the battery lock lever.

▶ **Fig.17:** 1. Indicator lamps 2. Battery lock lever

NOTE: Pushing the battery vertically from above makes the machine harder to move and makes it easier to install the battery.

▶ **Fig.18**

3. Close the battery cover and push it until it is latched with the locking lever.

To remove the battery cartridge;

1. Pull up the locking lever and open the battery cover.

2. Push the battery lock lever, and then pull out the battery cartridge from the machine.

▶ **Fig.19:** 1. Battery lock lever 2. Battery cartridge

3. Close the battery cover.

Machine / battery protection system

The machine is equipped with a machine/battery protection system. This system automatically cuts off power to the motor to extend machine and battery life. The machine will automatically stop during operation if the machine or battery is placed under one of the following conditions:

Overload protection

When the machine or battery is operated in a manner that causes it to draw an abnormally high current, the machine automatically stops and the main power lamp blinks in green. In this situation, turn the machine off and stop the application that caused the machine to become overloaded. Then turn the machine on to restart.

Overheat protection

If the machine or battery cartridge is overheated, the machine stops automatically. When the machine is overheated, the main power lamp lights up in red. When the battery cartridge is overheated, the main power lamp blinks in red. Let the machine and/or battery cool down before turning the machine on again.

Overdischarge protection

When the battery capacity is not enough, the machine stops automatically and the main power lamp blinks in red.

In this case, remove the battery from the machine and charge the battery cartridge or change the battery cartridge to fully charged one.

Protections against other causes

Protection system is also designed for other causes that could damage the machine and allows the machine to stop automatically. Take all the following steps to clear the causes, when the machine has been brought to a temporary halt or stop in operation.

1. Turn the machine off, and then turn it on again to restart.
2. Charge the battery(ies) or replace it/them with recharged battery(ies).
3. Let the machine and battery(ies) cool down.

If no improvement can be found by restoring protection system, then contact your local Makita Service Center.

NOTICE: If the machine stops due to a cause not described above, refer to the section for troubleshooting.

Indicating the remaining battery capacity















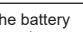



▶ **Fig.20:** 1. Battery indicator

When the remaining battery capacity gets low, the battery indicator blinks on the applicable battery side. By further use, the machine stops and the battery indicator lights up. In this situation, charge the battery cartridge.

Indicating the remaining battery capacity

Press the check button on the battery cartridge to indicate the remaining battery capacity. The indicator lamps light up for a few seconds.

▶ **Fig.21:** 1. Indicator lamps 2. Check button

Indicator lamps			Remaining capacity
Lighted	Off	Blinking	
			75% to 100%
			
			50% to 75%
			25% to 50%
			0% to 25%
			Charge the battery.
			The battery may have malfunctioned.
			

NOTE: Depending on the conditions of use and the ambient temperature, the indication may differ slightly from the actual capacity.

NOTE: The first (far left) indicator lamp will blink when the battery protection system works.

Control panel

The control panel has the main power switch and the mode switching button.

- **Fig.22:** 1. Soft no-load mode lamp 2. Noise reduction mode lamp 3. Mode switching button 4. Main power lamp 5. Main power switch

Main power switch

⚠WARNING: Always turn off the main power switch when not in use.

To turn on the machine, press the main power switch. The main power lamp lights up in green. To turn off the machine, press the main power switch again.

NOTE: If the main power lamp lights up in red or blinks in red or green, refer to the instructions for machine/battery protection system.

NOTE: This machine employs the auto power-off function. To avoid unintentional start up, the main power switch will automatically shut down when the switch lever and drive lever (if equipped) are not pulled for a certain period after the main power switch is turned on.

Mode switching button

You can switch the operating mode by pressing the mode switching button. When the machine is turned on, the machine starts up in the normal mode. Refer to the table below for each mode.

Mode	Lamp	Description
Normal mode	Both the soft no-load mode lamp and noise reduction mode lamp are off.	The machine works in the normal mode.
Soft no-load mode	The soft no-load mode lamp lights up in green.	You can minimize a start-up shock and start the machine smoothly.
Noise reduction mode	The noise reduction mode lamp lights up in green.	You can decrease the noise at mowing.

Switch action

⚠WARNING: Before installing the battery cartridge, always check to see that the switch lever actuates properly and returns to the original position when released. Operating the machine with a switch that does not actuate properly can lead to loss of control and serious personal injury.

NOTE: The mower does not start without pressing the switch button even the switch lever is pulled.

NOTE: Mower may not start due to the overload when you try to mow long or dense grass at a time. Increase the mowing height in this case.

This machine is equipped with the switch button. If you notice anything unusual with the switch button, stop the operation immediately and have it checked by your nearest Makita Authorized Service Center.

1. Install the battery cartridge, and then close the battery cover.
2. Press the main power switch.

NOTE: The main power lamp blinks in green if you press the main power switch while pulling the switch lever. Release the switch lever before pressing the main power switch.

3. Pull the switch lever toward you while holding down the switch button. Release the switch button when the motor starts running.

► **Fig.23:** 1. Switch button 2. Switch lever

4. While holding the switch lever, push the drive lever forward and hold it to drive the rear wheels.

► **Fig.24:** 1. Drive lever

NOTE: You can drive the rear wheels by pushing the drive lever forward and hold it without pulling the switch lever.

5. Release the drive lever and the switch lever to stop the machine.

Adjusting the mowing height

⚠WARNING: Never put your hand or leg under the mower body when adjusting the mowing height.

⚠WARNING: Always make sure that the lever fits in the groove properly before operation.

The mowing height can be adjusted in the range of between 20 mm and 100 mm.

Turn off the machine, and then pull the mowing height adjusting lever outward of the mower body and move it to your desired mowing height.

► **Fig.25:** 1. Mowing height adjusting lever

The table below shows the relationship between the number on the mower body and the approximate mowing height.

Number	Mowing height
1	20 mm
2	26 mm
3	32 mm
4	39 mm
5	47 mm
6	55 mm
7	63 mm
8	74 mm
9	86 mm
10	100 mm

Hold the lower handle with one hand, and then move the mowing height adjusting lever with the other hand.

► **Fig.26:** 1. Mowing height adjusting lever 2. Lower handle

NOTE: The mowing height figures should be used just as a guideline. Depending on the conditions of the lawn or the ground, the actual lawn height may become slightly different from the set height.

NOTE: Try a test mowing of grass in a less conspicuous place to get your desired height.

Grass level indicator

Grass level indicator shows the volume of mowed grass. When the grass basket is not full, the indicator floats while the blades are running.

► **Fig.27:** 1. Grass level indicator

When the grass basket is almost full, the indicator does not float while the blades are running. In this case, stop the operation immediately and empty the basket.

► **Fig.28:** 1. Grass level indicator

NOTE: This indicator is a rough guide. Depending on the conditions of inside of the basket, this indicator may not work properly.

Adjusting the handle height

The handle height can be adjusted in two levels.

1. Hold the lower handle, and then turn the knob 90° while pulling the knob on the lower handle to release the locking pin. Perform the same procedure on the other side.

► **Fig.29:** 1. Lower handle 2. Knob

NOTE: Supporting the handle makes it easier to release the locking pin when pulling the knob.

2. Adjust the handle height, and then turn the knob on both sides 90°. Make sure that the knobs are securely fixed.

► **Fig.30:** 1. Knob

Adjusting the traveling speed

► **Fig.31:** 1. Speed lever

The traveling speed can be adjusted with the speed lever. To decrease the speed, pull the lever toward you, and to increase the speed, turn the lever forward.

Using mulching plug

The mulching plug allows you to return the cut grass to the ground without gathering the cut grass in the grass basket. When you operate the machine with the mulching plug, be sure to remove the grass basket or discharge chute.

NOTICE: When using the machine with the mulching plug, make sure that the total length of grass after cutting is 30 mm or more, and the cut length is 15 mm or less.

► **Fig.32:** (1) 30 mm or more (2) 15 mm or less

Using the discharge chute

The discharge chute allows you to discharge the cut grass to the ground from the right side of the machine without gathering the cut grass in the grass basket. When you operate the machine with the discharge chute, be sure to remove the grass basket and mulching plug.

Using the rear discharge

Using the rear discharge allows you to discharge the cut grass to the ground from the rear side of the machine without gathering the cut grass in the grass basket. When you operate the machine using the rear discharge, be sure to remove the mulching plug, and grass basket or discharge chute, and close the rear cover.

Electronic function

The machine is equipped with the electronic functions for easy operation.

- Soft start at driving
The soft-start function minimizes start-up shock, and makes the machine start smoothly.
- Electric brake
This machine is equipped with an electric brake. If the machine consistently fails to quickly stop the mower blades after releasing the switch lever, have the machine serviced at Makita Authorized Service Center.

OPERATION

Mowing

⚠ WARNING: Before mowing, clear away sticks and stones from mowing area. Furthermore, clear away any weeds from mowing area in advance.

⚠ WARNING: Always wear the safety goggles or safety glasses with side shields when operating the mower.

⚠ CAUTION: If the cut grass or foreign object blocks up inside of the mower body, be sure to remove the battery cartridges and wear gloves before removing the grass or foreign object.

NOTICE: Use this machine for mowing lawn only. Do not mow weeds with this machine.

► Fig.33

Firmly hold the handle with both hands when mowing. The mowing speed guideline is approximately 7 to 14 meters per 10 seconds.

► Fig.34

NOTE: When cutting long lawn or dense lawn, if the unevenness in the length of lawn or poor finish is found after mowing, or decrease of the motor speed is found during mowing, decrease the mowing speed lower than recommended in this manual, or raise the mowing height.

The center lines of the front wheels are guidelines to mowing width. Using the center lines as guidelines, mow in strips. Overlap by one half to one third the previous strip to mow the lawn evenly.

► **Fig.35:** 1. Mowing width 2. Overlapping area
3. Center line

Change the mowing direction each time to prevent the grass grain pattern from forming in just one direction.

► Fig.36

Periodically check the grass basket for mowed grass. Empty the grass before it becomes full. Before every periodical check, be sure to stop and turn off the machine.

NOTICE: Using the mower with the grass basket full prevents smooth blade rotation and places an extra load on the motor, which may cause breakdown.

Mowing long lawn

Do not try to cut long lawn all at once. Instead, mow the lawn in steps. Leave a day or two between mowings until the lawn becomes evenly short.

► Fig.37

NOTE: Mowing long lawn to short length all at once may cause the lawn to die. The cut lawn may also block up inside of the mower body.

NOTE: If the unevenness in the length of lawn or poor finish is found after mowing, or decrease of the motor speed is found during mowing, decrease the mowing speed, or raise the mowing height.

Emptying the grass basket

⚠ WARNING: To reduce a risk of accident, regularly check the grass basket for any damage or weakened strength. Replace the grass basket if necessary.

1. Release the switch lever and drive lever.
 2. Turn off the machine.
 3. Open the rear cover and take out the grass basket by holding the handle.
- **Fig.38:** 1. Rear cover 2. Handle 3. Grass basket
4. Empty the grass basket.

MAINTENANCE

⚠ WARNING: Always be sure that the battery cartridges are removed from the machine before storing or carrying the machine or attempting to perform inspection or maintenance.

⚠ WARNING: Wear gloves when performing inspection or maintenance.

⚠ WARNING: Always wear the safety goggles or safety glasses with side shields when performing inspection or maintenance.

NOTICE: Never use gasoline, benzine, thinner, alcohol or the like. Discoloration, deformation or cracks may result.

To maintain product SAFETY and RELIABILITY, repairs, any other maintenance or adjustment should be performed by Makita Authorized or Factory Service Centers, always using Makita replacement parts.

Maintenance

1. Remove the battery cartridge, and then close the battery cover.
2. Put the mower on its side. Clean grass clippings accumulated on the underside of mower deck.
3. Pour water toward the bottom of the machine to which the blade is attached.

NOTICE: Do not wash the machine with high pressure water.

4. Check all nuts, bolts, screws, etc. for tightness.
5. Inspect moving parts for damage, breakage, and wear. Damaged or missing parts should be repaired or replaced.

6. Store the mower in a safe place out of the reach of children.

NOTICE: Do not pour water to the area shown in the figure. Pouring water to the motor unit may cause a malfunction of the machine.

- Fig.39: 1. Area where water should not be poured

NOTICE: Do not pour water on the machine while the machine is in the upright position as shown in the figure. If the machine is in the upright position, water may pour down the motor unit, and cause a malfunction of the machine.

- Fig.40

Carrying the mower

CAUTION: Before carrying the mower, make sure that the battery cartridges are removed.

When carrying the mower, hold the rear grip and the lower holding part at the front of the machine with two people as shown in the figure.

- Fig.41: 1. Lower holding part 2. Rear grip

Storing

CAUTION: When putting the machine in the upright position, place the machine on a flat and stable surface. If the machine is placed on an unstable surface, the machine may fall over and cause an injury.

Store mower indoors in a cool, dry and locked place. Don't store the mower and charger in locations where the temperature may reach or exceed 40 °C.

1. Remove the battery cartridge.
2. Turn the knob 90° while pulling the knob on the lower handle to release the locking pin. Perform the same procedure on the other side, and then fold the handle.

- Fig.42: 1. Knob

NOTE: Supporting the handle makes it easier to release the locking pin when pulling the knob.

3. Turn the knob on both sides 90°. Make sure that the knobs are securely fixed.

- Fig.43: 1. Knob

NOTICE: Be careful not to pinch the cords when folding the handle.

4. Loosen the thumb nuts on both sides, and then fold the upper handle as shown in the figure.

- Fig.44: 1. Thumb nut 2. Upper handle

5. Place the machine in the upright position.

NOTE: When putting the mower in the upright position, do not hold the handle only, but hold the mower body and handle.

6. Store the grass basket as shown in the figure.

- Fig.45: 1. Grass basket

- Fig.46: 1. Grass basket

Removing or installing the mower blade

WARNING: The blade coasts for a few seconds after releasing the switch. Do not start any operation until the blade comes to a complete stop.

WARNING: Always remove the battery cartridges when removing or installing the blade. Failure to remove the battery cartridges may cause a serious injury.

WARNING: Always wear gloves when handling the blade.

Removing the mower blade

1. Put the mower on its side so that the mowing height adjusting lever comes to the upper side.
2. To lock the blade, insert the pin into the hole on the mower body as far as it will go.
3. Turn the bolt counterclockwise with box wrench 17.

- Fig.47: 1. Mower blade 2. Pin 3. Box wrench

4. Remove the bolt, and then mower blade.

- Fig.48: 1. Blade support 2. Mower blade 3. Bolt 4. Protrusion

NOTICE: When installing the mower blade, make sure that the protrusions on the blade support fit in the holes in the mower blade.

Installing the mower blade

WARNING: Install the mower blade carefully. It has a top/bottom facing.

WARNING: Tighten the bolt clockwise firmly to secure the blade.

WARNING: Make sure that the mower blade and all the fixing parts are installed correctly and tightened securely.

WARNING: When you replace the blades, always follow the instructions provided in this manual.

NOTICE: After installing the mower blades, remove the pin from the mower body.

To install the mower blades, perform the removal procedure in reverse.

TROUBLESHOOTING

Before asking for repairs, conduct your own inspection first. If you find a problem that is not explained in the manual, do not attempt to disassemble the machine. Instead, ask Makita Authorized Service Centers, always using Makita replacement parts for repairs.

State of abnormality	Probable cause (malfunction)	Remedy
Mower does not start.	Battery cartridge is not installed.	Install charged battery cartridge.
	Battery problem (under voltage)	Recharge the battery cartridge. If recharging is not effective, replace battery cartridge.
Motor stops running after a little use.	Battery's charge level is low.	Recharge the battery cartridge. If recharging is not effective, replace battery cartridge.
	Cutting height is too low.	Increase the cutting height.
	Cut grass is clogged in the mower.	Remove the clogged grass from the mower.
Motor does not reach maximum RPM.	Battery cartridge is installed improperly.	Install the battery cartridge as described in this manual.
	Battery power is dropping.	Recharge the battery cartridge. If recharging is not effective, replace battery cartridge.
	The drive system does not work correctly.	Ask your local authorized service center for repair.
Mower blade does not rotate: ⇒ stop the mower immediately!	Foreign object such as a branch is jammed near the blade.	Remove the foreign object.
	The drive system does not work correctly.	Ask your local authorized service center for repair.
Abnormal vibration: ⇒ stop the mower immediately!	Blade is imbalanced, excessively or unevenly worn.	Replace the blade.

OPTIONAL ACCESSORIES

⚠ CAUTION: These accessories or attachments are recommended for use with your Makita machine specified in this manual. The use of any other accessories or attachments might present a risk of injury to persons. Only use accessory or attachment for its stated purpose.

If you need any assistance for more details regarding these accessories, ask your local Makita Service Center.

- Mower blade
- Makita genuine battery and charger

NOTE: Some items in the list may be included in the product package as standard accessories. They may differ from country to country.

规格

型号:		LM003J	LM004J
修剪宽度 (刀片直径)		480 mm	534 mm
空载速度	正常模式	3,200/min	2,800 /min
	软空载模式	2,500 - 3,200 /min	2,300 - 2,800 /min
	降噪模式	2,500/min	2,300 /min
草坪机备用刀片零件编号	平直型修剪机刀片	191V97-3	191V96-5
	平直型修剪机刀片*1	-	191W87-2
	护根刀片	191Y64-6	191Y65-4
尺寸 (长 × 宽 × 高)	操作期间	长: 1,670 mm至1,745 mm 宽: 550 mm 高: 965 mm至1,075 mm	长: 1,740 mm至1,810 mm 宽: 595 mm 高: 970 mm至1,080 mm
	存放时 (不带草篮)	585 mm × 550 mm × 900 mm	580 mm × 595 mm × 930 mm
行驶速度		1.5 - 6.5 km/h	
额定电压		D.C. 57.6 V - 64 V (最大)	
净重		30.9 - 33.8 kg	31.5 - 34.6 kg
防护等级		IPX4	

*1.修剪机刀片能更有效地收集草。

- 生产者保留变更规格不另行通知之权利。
- 规格可能因销往国家之不同而异。
- 重量因附件 (包括电池组) 而异。根据EPTA-Procedure 01/2014, 最重与最轻的组合见表格。

适用电池组和充电器



电池组	BL6440
充电器	DC64WA

- 部分以上所列电池组和充电器是否适用视用户所在地区而异。

⚠警告: 请仅使用以上所列电池组和充电器。使用其他类型的电池组或充电器可能会导致人身伤害和 / 或失火。

符号

以下显示本设备可能会使用的符号。在使用工具之前, 请务必理解其含义。

	勿暴露于潮湿环境。
	特别小心和注意。



阅读使用说明书。



危险: 注意抛掷物体。



工具和旁观者的距离至少为15米。



切勿使手和脚靠近修剪机下面的修剪机刀片。电机关闭后修剪机刀片还会继续旋转。



警告：保养前断开电池。



电气危害。接触水可能导致触电。



请勿冲水。



仅限于欧盟国家
由于本设备中包含有害成分，因此废弃的电气和电子设备、蓄电池和普通电池可能会对环境和人体健康产生负面影响。请勿将电气和电子工具或电池与家庭普通废弃物放在一起处置！

根据欧洲关于废弃电气电子设备、蓄电池和普通电池的指令及其国家层面的修订法案，废弃的电气设备、普通电池和蓄电池应当单独存放并递送至城市垃圾收集点，根据环保法规进行处置。

此规定由标有叉形标志的带轮垃圾桶符号表示。



保证声功率级别符合欧盟室外噪音指令。



声功率级别符合澳大利亚NSW噪音控制规定

用途

本机用于修剪草坪。

安全警告

电动工具通用安全警告

警告 阅读随电动工具提供的所有安全警告、说明、图示和规定。不遵照以下所列说明会导致电击、着火和/或严重伤害。

保存所有警告和说明书以备查阅。

警告中的术语“电动工具”是指市电驱动(有线)电动工具或电池驱动(无线)电动工具。

工作场地的安全

1. 保持工作场地清洁和明亮。杂乱和黑暗的场地会引发事故。

2. 不要在易爆环境，如有易燃液体、气体或粉尘的环境下操作电动工具。电动工具产生的火花会点燃粉尘或气体。
3. 操作电动工具时，远离儿童和旁观者。注意力不集中会使你失去对工具的控制。

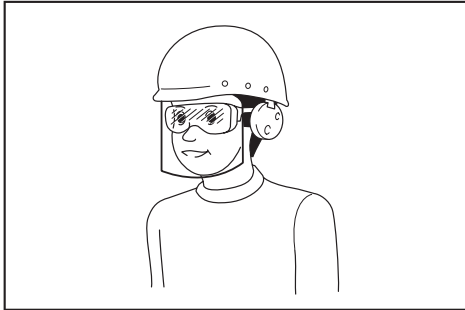
电气安全

1. 电动工具插头必须与插座相配。绝不能以任何方式改装插头。需接地的电动工具不能使用任何转换插头。未经改装的插头和相配的插座将降低电击风险。
2. 避免人体接触接地表面，如管道、散热片和冰箱。如果你身体接触接地表面会增加电击风险。
3. 不得将电动工具暴露在雨中或潮湿环境中。水进入电动工具将增加电击风险。
4. 不得滥用软线。绝不能用软线搬运、拉动电动工具或拔出其插头。使软线远离热源、油、锐边或运动部件。受损或缠绕的软线会增加电击风险。
5. 当在户外使用电动工具时，使用适合户外使用的延长线。适合户外使用的电线将降低电击风险。
6. 如果无法避免在潮湿环境中操作电动工具，应使用带有剩余电流装置(RCD)保护的电源。RCD的使用可降低电击风险。
7. 电动工具会产生对用户无害的电磁场(EMF)。但是，起搏器和其他类似医疗设备的用户应在操作本电动工具前咨询其设备的制造商和/或医生寻求建议。

人身安全

1. 保持警觉，当操作电动工具时关注所从事的操作并保持清醒。当你感到疲倦，或在有药物、酒精或治疗反应时，不要操作电动工具。在操作电动工具时瞬间的疏忽会导致严重人身伤害。
2. 使用个人防护装置。始终佩戴护目镜。防护装置，诸如适当条件下使用防尘面具、防滑安全鞋、安全帽、听力防护等装置能减少人身伤害。
3. 防止意外起动。在连接电源和/或电池包、拿起或搬运工具前确保开关处于关断位置。手指放在开关上搬运工具或开关处于接通时通电会导致危险。
4. 在电动工具接通之前，拿掉所有调节钥匙或扳手。遗留在电动工具旋转零件上的扳手或钥匙会导致人身伤害。
5. 手不要过分伸展。时刻注意立足点和身体平衡。这样能在意外情况下能更好地控制住电动工具。

6. 着装适当。不要穿宽松衣服或佩戴饰品。让你的头发和衣服远离运动部件。宽松衣服、佩饰或长发可能会卷入运动部件。
7. 如果提供了与排屑、集尘设备连接用的装置，要确保其连接完好且使用得当。使用集尘装置可降低尘屑引起的危险。
8. 不要因为频繁使用工具而产生的熟悉感而掉以轻心，忽视工具的安全准则。某个粗心的动作可能在瞬间导致严重的伤害。
9. 使用电动工具时请始终佩带护目镜以免伤害眼睛。护目镜须符合美国ANSI Z87.1、欧洲EN 166或者澳大利亚/新西兰的AS/NZS 1336的规定。在澳大利亚/新西兰，法律要求佩带面罩保护脸部。



雇主有责任监督工具操作者和其他近工作区域人员佩带合适的安全防护设备。

电动工具使用和注意事项

1. 不要勉强使用电动工具，根据用途使用合适的电动工具。选用合适的按照额定值设计的电动工具会使你工作更有效、更安全。
2. 如果开关不能接通或切断电源，则不能使用该电动工具。不能通过开关来控制的电动工具是危险的且必须进行修理。
3. 在进行任何调节、更换附件或贮存电动工具之前，必须从电源上拔掉插头和/或卸下电池包（如可拆卸）。这种防护性的安全措施降低了电动工具意外起动的风险。
4. 将闲置不用的电动工具贮存在儿童所及范围之外，并且不允许不熟悉电动工具和不了解这些说明的人操作电动工具。电动工具在未经培训的使用者手中是危险的。

5. 维护电动工具及其附件。检查运动部件是否调整到位或卡住，检查零件破损情况和影响电动工具运行的其他状况。如有损坏，应在使用前修理好电动工具。许多事故是由维护不良的电动工具引发的。
6. 保持切削刀具锋利和清洁。维护良好地有锋利切削刃的刀具不易卡住而且容易控制。
7. 按照使用说明书，并考虑作业条件和要进行的作业来选择电动工具、附件和工具的刀头等。将电动工具用于那些与其用途不符的操作可能会导致危险情况。
8. 保持手柄和握持表面干燥、清洁，不得沾有油脂。在意外的情况下，湿滑的手柄不能保证握持的安全和对工具的控制。
9. 使用本工具时，请勿佩戴可能会缠绕的布质工作手套。布质工作手套卷入移动部件可能会造成人身伤害。

电池式工具使用和注意事项

1. 仅使用生产者规定的充电器充电。将适用于某种电池包的充电器用到其他电池包时可能会发生着火危险。
2. 仅使用配有专用电池包的电动工具。使用其他电池包可能会产生伤害和着火危险。
3. 当电池包不用时，将它远离其他金属物体，例如回形针、硬币、钥匙、钉子、螺钉或其他小金属物体，以防电池包一端与另一端连接。电池组端部短路可能会引起燃烧或着火。
4. 在滥用条件下，液体可能会从电池组中溅出；应避免接触。如果意外碰到液体，用水冲洗。如果液体碰到了眼睛，还应寻求医疗帮助。从电池中溅出的液体可能会发生腐蚀或燃烧。
5. 不要使用损坏或改装过的电池包或工具。损坏或改装过的电池组可能呈现无法预测的结果，导致着火、爆炸或伤害。
6. 不要将电池包暴露于火或高温中。电池包暴露于火或高于130 °C的高温中可能导致爆炸。
7. 遵循所有充电说明。不要在说明书中指定的温度范围之外给电池包或电动工具充电。不正确或在指定的温度范围外充电可能会损坏电池和增加着火的风险。

维修

1. 让专业维修人员使用相同的备件维修电动工具。这将保证所维修的电动工具的安全。

2. 决不能维修损坏的电池包。电池包仅能由生产者或其授权的维修服务商进行维修。
3. 上润滑油及更换附件时请遵循本说明书指示。

充电式草坪修剪机安全警告

1. 请勿在恶劣天气特别是可能出现雷电的天气条件下使用草坪修剪机。这可降低雷击风险。
2. 彻底检查需要使用草坪修剪机的区域是否有野生动物。操作过程中草坪修剪机可能会伤及野生动物。
3. 彻底检查需要使用草坪修剪机的区域有无石头、树枝、电线、骨头及其他异物，如果有请及时清除。抛掷物体可能会伤及人员。
4. 在使用草坪修剪机之前，请先目视检查刀片和刀片组件有无磨损或损坏。使用已磨损或损坏的部件会增加受伤风险。
5. 时常检查草夹持器是否有磨损或劣化。使用已磨损或损坏的草夹持器可能会增加人员受伤风险。
6. 保护罩必须安装到位。必须保证保护罩能够正常发挥作用且安装无误。使用松动、受损或无法正常发挥作用的保护罩可能导致人员受伤。
7. 确保冷却进气口无碎片。进气口被碎片阻塞可能导致过热，甚至引发火灾。
8. 操作草坪修剪机期间，务必始终穿着防滑防护鞋。请勿在赤脚或穿着露趾凉鞋时操作草坪修剪机。这样可以有效避免脚部因接触移动刀片而遭受伤害。
9. 操作草坪修剪机时，务必穿着长裤。皮肤暴露在外很可能被抛掷物体所伤。
10. 请勿在湿草上操作草坪修剪机。操作时请行走，切勿跑动。这样可有效避免因滑倒而导致人员受伤。
11. 请勿在过于陡峭的斜坡上操作草坪修剪机。这样可以减少机器失控、打滑和倒地的风险。
12. 在斜坡上作业时，务必确保站稳并横跨坡面站立，切勿上下颠簸，变向时务必格外小心谨慎。这样可减少机器失控、打滑和倒地的风险。
13. 反转或向自身方向拉拽草坪修剪机时，务必小心谨慎。请始终注意周围环境。这样可有效避免操作期间被绊倒。

14. 请勿触碰仍处于运动状态的刀片及其他危险移动部件。这样可以有效避免被移动部件所伤。
15. 在清除卡住的材料或者清洁草坪修剪机时，请确保所有电源开关均已关闭，并且电池组已断开连接。草坪修剪机意外启动可能会造成严重的人身伤害。

请保留此说明书。

警告： 请勿为图方便或因对产品足够熟悉（由于重复使用而获得的经验）而不严格遵循相关产品安全规则。

使用不当或不遵循使用说明书中的安全规则会导致严重的人身伤害。

重要安全注意事项

警告： 阅读所有警告和所有说明。不遵照以下警告和说明会导致电击、着火和/或严重伤害。

保存所有警告和说明书以备查阅。

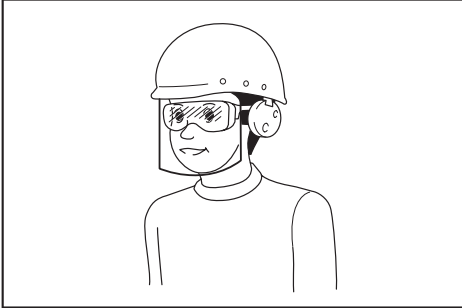
培训

1. 请仔细阅读说明。熟悉本修剪机的正确操控流程。
2. 切勿允许儿童或不熟悉这些使用须知的人员使用本修剪机。当地法规可能会限制操作人员的年龄。
3. 切勿在附近有人（特别是儿童）或宠物的情况下操作本修剪机。
4. 操作时要时刻谨记，如果给他人及其财产造成损失，操作者或用户要为此负责。
5. 应看管好儿童，勿让其玩耍本工具。
6. 身体状态 - 请勿在药品、酒精或其他接受医疗的情况下操作修剪机。

准备

1. 操作本修剪机时，务必穿戴厚实的鞋子和长裤。请勿在赤脚或穿着露趾凉鞋时操作本修剪机。避免穿着或佩戴宽松或带有线绳的衣服或首饰。它们可能会被卷入运动部件中。
2. 使用前，务必观察修剪机是否有损坏，保护罩或隔离罩是否缺失或错位。
3. 修剪草坪前确保作业区域内无其他人员。如有任何人进入作业区域，请停止修剪机。

- 使用电动工具时请始终佩带护目镜以免伤害眼睛。护目镜须符合美国ANSI Z87.1、欧洲EN 166或者澳大利亚 / 新西兰的AS/NZS 1336的规定。在澳大利亚 / 新西兰，法律要求佩带面罩保护脸部。



雇主有责任监督工具操作者和其他近工作区域人员佩带合适的安全防护设备。

- 操作之前，请仔细检查刀片或刀片螺栓上是否有裂缝或损坏。应立即更换有裂缝或损坏的刀片或刀片螺栓。
 - 修剪草坪前，请清除作业区域内的石块、铁丝、瓶子、骨头和大的树枝等异物，以防止人员受伤或损坏修剪机。
 - 修剪机刀片撞击异物会导致严重的人身伤害。每次修剪前，请务必仔细检查草坪并清除所有异物。
 - 观察有无孔洞、坑槽、鼓包、石头或其它隐藏的物体。地面不平会导致打滑和摔倒。高草丛会隐藏障碍物。
 - 使用个人防护装置。始终佩戴护目镜。防护装置，诸如适当条件下使用防尘面具、防滑安全鞋、安全帽、听力防护等装置能减少人身伤害。
- 操作**
- 操作时手不要伸得太长。始终保持平衡。在斜坡上时，请确保立足稳固。操作时请行走，切勿跑动。
 - 停止修剪机并关闭机器，确保所有运动部件已完全停止：
 - 放置修剪机时；
 - 清除堵塞物或疏通滑槽前；
 - 检查、清洁或处理机器前；
 - 击打到异物后。在重新启动并操作机器前，检查修剪机有无损坏并进行修理。
 - 修剪机开始异常振动时。
 - 在保护罩或隔离罩有损坏，或者安全装置（如火花挡板和 / 或草篮）未安装到位时，请勿操作修剪机。
- 请避免在恶劣天气（尤其是雷电天气）条件下使用修剪机。
 - 操作修剪机时，请务必穿戴护目眼镜和结实的鞋子。
 - 仅可在光线充足或良好照明的情况下操作本修剪机。
 - 根据操作指示小心开启修剪机，并使脚远离刀片。
 - 小心避免修剪机刀片伤及脚和手。
 - 务必确保通风口无任何碎片。
 - 修剪斜面草坪时，切勿上下颠簸。在斜面上改变方向时，请务必小心谨慎。请勿修剪较陡的倾斜面。
 - 反转或向自身拉修剪机时，务必小心谨慎。
 - 如果必须倾斜修剪机以搬运修剪机通过非草坪表面，以及修剪机进出作业区域时，请停止刀片。
 - 除必须倾斜修剪机进行启动的情况外，请勿在开启电机时倾斜修剪机。需要倾斜修剪机时，切勿使倾斜度大于必要的程度，并仅提起离操作者较远的部分。将本修剪机放回地面时，务必将双手放在操作位置上。
 - 勿使手和脚靠近旋转部件或置于其下。请勿在任何时间与排出口成直线站立。
 - 请勿在修剪机开启时进行搬运。
 - 避免在湿草上操作本修剪机。
 - 请务必紧握手柄。
 - 搬动或握住修剪机时，请勿抓握外露的刀片或切割边。
 - 手和脚应远离旋转的刀片。注意 - 关闭修剪机后刀片仍会旋转。
 - 若发现有任何异常，请立即停止操作。关闭修剪机。然后检查修剪机。
 - 如果草坪机具有切割高度调节功能，切勿在草坪机运转时调节切割高度。
 - 在穿过车道、人行道、道路或任何砾石覆盖的路面前，请释放开关柄并等待刀片停止旋转。在放置修剪机、捡取修剪路径上的异物或在任何可能分散注意力的情况下，请务必关闭机器。

23. 如果修剪机撞击到异物，请执行以下步骤：
 - 停止修剪机，释放开关柄并等待刀片完全停止。
 - 取出电池组。
 - 彻底检查修剪机有无损伤。
 - 如果刀片有任何损伤，请予以更换。重新启动并继续操作修剪机前，请修复任何损伤。
 24. 请勿在站立在排出口前部时启动修剪机。
 25. 如果修剪机开始异常振动（立即检查）
 - 检查损伤；
 - 更换或修复任何损坏部件；
 - 检查并拧紧松散的部件。
 26. 严禁将排出的材料指向任何人。避免将材料排出至墙壁或障碍物处。材料可能会朝向操作者反弹。通过砾石面时，停止刀片。
 27. 除非绝对需要，否则禁止向后拉修剪机。不得从栅栏或其它类似障碍物处后拉修剪机时，移动前和移动期间要注意脚下和身后。
 28. 拆下集草器前，先关闭电机并等待刀片完全停止。小心关机后刀片仍会旋转。
 29. 在泥泞地面、潮湿坡道或湿滑的地方使用机器时，请注意立足稳固。
 30. 请勿将机器浸入水坑中。
 31. 操作机器时请注意管道和电线。
- 保养和存放**
1. 出于安全需要，请更换磨损或损坏的部件。仅使用原厂正品替换部件和附件。
 2. 定期检查和保养修剪机。
 3. 不使用时，将修剪机存放在儿童无法触及的地方。
 4. 保证所有螺母、螺栓和螺丝都已拧紧，确保设备处于安全的工作状态。
 5. 时常检查草篮是否有磨损或劣化。存放时，务必确保清空草篮。出于安全需要，请使用新的原厂替换草篮更换磨损的草篮。
 6. 请仅使用本说明书中指定的正品刀片。
 7. 调整修剪机时请小心谨慎，防止手指卷入移动刀片和修剪机的固定部件之间。
 8. 时常检查刀片安装螺栓，确保紧固妥当。
 9. 存放前，务必使修剪机充分冷却。
 10. 请注意，在维修刀片时，即便已切断电源，刀片仍可以移动。
11. 严禁拆下或改动安全装置。定期检查是否正常运行。严禁干扰安全装置的预定功能或者降低其保护能力。
 12. 请勿在雨天将机器置于室外无人看管。
 13. 存放机器时，避免直射阳光和淋雨，将其存放在不会变热或变潮的位置。
- 电池式工具使用和注意事项**
1. 仅使用生产者规定的充电器充电。将适用于某种电池包的充电器用到其他电池包时可能会发生着火危险。
 2. 仅使用配有专用电池包的电动工具。使用其他电池包可能会产生伤害和着火危险。
 3. 当电池包不用时，将它远离其他金属物体，例如回形针、硬币、钥匙、钉子、螺钉或其他小金属物体，以防电池包一端与另一端连接。电池组端部短路可能会引起燃烧或着火。
 4. 在滥用条件下，液体可能会从电池组中溅出；应避免接触。如果意外碰到液体，用水冲洗。如果液体碰到了眼睛，还寻求医疗帮助。从电池中溅出的液体可能会发生腐蚀或燃烧。
 5. 不要使用损坏或改装过的电池包或工具。损坏或改装过的电池组可能呈现无法预测的结果，导致着火、爆炸或伤害。
 6. 不要将电池包暴露于火或高温中。电池包暴露于火或高于130 °C的高温中可能导致爆炸。
 7. 遵循所有充电说明。不要在说明书中指定的温度范围之外给电池包或电动工具充电。不正确或在指定的温度范围外充电可能会损坏电池和增加着火的风险。
- 电气和电池安全**
1. 请勿将电池弃于火中。否则会引起电池爆炸。请查阅当地法规了解适当的特殊处理说明。
 2. 请勿打开或拆解电池。溢出的电解质具有腐蚀性，可能会对眼睛或皮肤造成损伤。吞服则有致毒危险。
 3. 请勿在雨中或潮湿的地方充电。
 4. 勿在室外对电池充电。
 5. 请勿用湿手操作充电器，包括充电器插头和充电器端子。
 6. 请勿在雨中更换电池。

7. 请勿用水等液体打湿电池端子，或将电池浸于水中。请勿使电池淋雨，也不得在潮湿位置给电池充电、使用或存放电池。如果电池端子被打湿或有液体进入电池，则电池可能会短路，导致过热、起火或爆炸危险。
8. 从机器或充电器取下电池后，请务必在电池上安装电池盖并将其存放在干燥处。
9. 请勿用湿手更换电池。
10. 避免危险的环境。请勿在潮湿或淋雨的环境下使用机器。机器受潮将增加触电的风险。
11. 如果电池组被打湿，请排空其中的水分，再用干布擦拭干净。使用前在干燥处彻底干燥电池组。

维修

1. 让专业维修人员使用相同的备件维修电动工具。这将保证所维修的电动工具的安全。
2. 决不能维修损坏的电池包。电池包仅能由生产者或其授权的维修服务商进行维修。

请保留此说明书。

警告： 请勿为图方便或因对产品足够熟悉（由于重复使用而获得的经验）而不严格遵循相关产品安全规则。
使用不当或不遵循使用说明书中的安全规则会导致严重的人身伤害。

电池组的重要安全注意事项

1. 在使用电池组之前，请仔细阅读所有的说明以及（1）电池充电器，（2）电池，以及（3）使用电池的产品上的警告标记。
2. 切勿拆卸或改装电池组。否则可能引起火灾、过热或爆炸。
3. 如果机器运行时间变得过短，请立即停止使用。否则可能会导致过热、起火甚至爆炸。
4. 如果电解液进入您的眼睛，用清水将其冲洗干净并立即就医。否则可能会导致视力受损。
5. 请勿使电池组短路：
 - (1) 请勿使任何导电材料碰触到端子。
 - (2) 避免将电池组与其他金属物品如钉子、硬币等放置在同一容器内。

- (3) 请勿将电池组置于水中或使其淋雨。电池短路将产生大的电流，导致过热，并可能导致起火甚至击穿。
6. 请勿在温度可能达到或超过50°C (122°F)的场所存放以及使用工具和电池组。
7. 即使电池组已经严重损坏或完全磨损，也请勿焚烧电池组。电池组会在火中爆炸。
8. 请勿对电池组射钉，或者切割、挤压、抛掷、掉落电池组，又或者用硬物撞击电池组。否则可能引起火灾、过热或爆炸。
9. 请勿使用损坏的电池。
10. 本工具附带的锂离子电池需符合危险品法规要求。
第三方或转运代理等进行商业运输时，应遵循包装和标识方面的特殊要求。有关运输项目的准备作业，咨询危险品方面的专业人士。同时，请遵守可能更为详尽的国家法规。
请使用胶带保护且勿遮掩表面的联络信息，并牢固封装电池，使电池在包装内不可动。
11. 丢弃电池组时，需将其从工具上卸下并在安全地带进行处理。关于如何处理废弃的电池，请遵循当地法规。
12. 仅将电池用于Makita（牧田）指定的产品。将电池安装至不兼容的产品会导致起火、过热、爆炸或电解液泄漏。
13. 如长时间未使用工具，必须将电池从工具内取出。
14. 使用工具期间以及使用工具之后，电池组温度可能较高易引起灼伤或低温烫伤。处理高温电池组时请小心操作。
15. 在使用工具后请勿立即触碰工具的端子，否则可能引起灼伤。
16. 避免锯屑、灰尘或泥土卡入电池组的端子、孔口和凹槽内。否则可能会导致过热、着火、爆炸和工具/电池组故障，导致烫伤或人身伤害。
17. 除非工具支持在高压电源线路附近使用，否则请勿在高压电源线路附近使用电池组。否则可能导致工具或电池组故障或失常。
18. 确保电池远离儿童。

请保留此说明书。

小心： 请仅使用Makita（牧田）原装电池。使用非Makita（牧田）原装电池或经过改装的电池可能会导致电池爆炸，从而造成火灾、人身伤害或物品受损。同时也会导致牧田工具和充电器的牧田保修服务失效。

保持电池最大使用寿命的提示

1. 在电池组电量完全耗尽前及时充电。发现工具电量低时，请停止工具操作，并给电池组充电。
2. 请勿对已充满电的电池组重新充电。过度充电将缩短电池的使用寿命。
3. 请在10 °C - 40 °C (50 °F - 104 °F) 的室温条件下给电池组充电。请在灼热的电池组冷却后再充电。
4. 不使用电池组时，请将其从工具或充电器上拆除。
5. 如果电池组长时间（超过六个月）未使用，请给其充电。

装配

警告： 对机器执行任何操作前，请务必取出电池组。未取出电池组可能会因意外启动而导致严重的人身伤害。

警告： 仅可在完整装配后启动修剪机。部分装配的情况下操作机器，将可能因意外启动而导致严重的人身伤害。

安装手柄

注意： 在安装手柄时，请注意避免导线夹在两个手柄之间。如导线破损，修剪机开关则可能无法工作。

1. 对齐下部手柄上的孔和上部手柄上的孔，然后从外侧插入螺栓，再从内侧拧紧手拧螺母。对另一面执行相同的操作程序。
▶ **图片1：** 1. 螺栓 2. 手拧螺母 3. 下部手柄 4. 上部手柄

2. 拉拽下部手柄旋钮的同时将旋钮转动90°以释放锁销。对另一面执行相同的操作程序。抬起手柄，然后将两侧旋钮转动90°。确保旋钮固定牢固。

▶ **图片2：** 1. 旋钮

注： 拉拽旋钮时支撑手柄可方便释放锁销。

注： 旋转旋钮时，注意避免电源线被旋钮绊住。

▶ **图片3：** 1. 旋钮

拆卸护根装置

1. 打开后盖。

▶ **图片4：** 1. 后盖

2. 略微抬起护根装置，然后将其拆除。

▶ **图片5：** 1. 护根装置

安装草篮

1. 拿起草篮的上夹。

▶ **图片6：** 1. 上夹

2. 握住框架把手，将框架尽可能地插入草篮。

▶ **图片7：** 1. 把手

注意： 请勿将把手插入草篮。确保沿着草篮的缝合处插入框架。

3. 确保草篮角没有下垂。

▶ **图片8**

4. 打开上夹并连接到框架上。

▶ **图片9**

5. 根据图中所示连接所有其他夹子。确保所有的夹子都与框架牢固连接。

▶ **图片10：** 1. 夹子

安装或拆下草篮

请按照以下步骤安装草篮。

1. 打开后盖。

▶ **图片11：** 1. 后盖

2. 如图所示，握住草篮把手，然后将草篮钩挂到修剪机机身的杆上。

▶ **图片12：** 1. 草篮 2. 把手 3. 杆

如需拆下草篮，请先打开后盖，然后握住把手拆下草篮。

安装护根装置

1. 打开后盖，取下草篮。

▶ **图片13：** 1. 后盖 2. 草篮

2. 安装护根装置时尽量向内推动，确保护根装置上的凸起部分嵌入机器的各个孔内。

▶ **图片14：** 1. 护根装置 2. 凸起部分

安装或拆卸排放槽

请按照以下步骤安装排放槽。

1. 打开后盖，取下草篮和护根装置。
2. 如图所示，将排放槽上的孔钩到修剪机主体上的凸起部分。

► **图片15:** 1. 排放槽 2. 凸起部分

要拆卸排放槽时，打开后盖，接着移除排放槽。

功能描述

安装或拆卸电池组

⚠小心: 安装或拆卸电池组之前，请务必关闭机器电源。

⚠小心: 安装或拆卸电池组时，请握紧机器和电池组。否则它们可能从您的手中滑落，导致机器和电池组受损，甚至造成人身伤害。

⚠小心: 使用前务必锁紧电池盖。以免泥土、灰尘或有水进入，使产品或电池组受损。

⚠小心: 请勿强行安装电池组。如果电池组难以插入，可能是插入方法不当。

⚠小心: 安装或拆卸电池组时，请抓紧电池盖。

安装电池组；

1. 扣动锁定杆，然后打开电池盖。
- **图片16:** 1. 电池盖 2. 锁定杆
2. 直立抓握电池组并确认指示灯朝前。将电池组插入机器内直至其与电池锁定杆扣合。

► **图片17:** 1. 指示灯 2. 电池锁定杆

注: 从上方垂直按压电池可有效防止机器移动，方便安装电池。

► **图片18**

3. 关闭电池盖并推动直至其与锁定杆扣合。

取出电池组；

1. 扣动锁定按钮，然后打开电池盖。
2. 按压电池锁定杆，然后将电池组从机器中拉出。

► **图片19:** 1. 电池锁定杆 2. 电池组

3. 关闭电池盖。

机器 / 电池保护系统

本机器配备有机器 / 电池保护系统。该系统可自动切断电机电源以延长机器和电池使用寿命。作业时，如果机器或电池处于以下任一情况，工具将会自动停止运转：

过载保护

以导致异常高电流的方式操作机器或电池时，机器会自动停止运转并且主电源指示灯将呈绿色闪烁。在这种情况下，请关闭机器并停止导致机器过载的应用程序。然后开启机器以重新启动。

过热保护

若机器或电池组过热，机器会自动停止运转。当机器过热时，主电源指示灯将呈红色亮起。当电池组过热时，主电源指示灯将呈红色闪烁。请等待机器和/或电池冷却后再重新启动机器。

过放电保护

电池电量不足时，机器会自动停止运转并且主电源指示灯将呈红色闪烁。在此情况下，请从机器取出电池并给电池组充电，或更换完全充满电的电池组。

其他原因防护

保护系统还能够在出现其他可能导致机器受损的情况时使机器自动停止运转。请在机器暂时或中途停止工作时，执行以下所有步骤以排除故障源。

1. 关闭机器，然后再次重新启动。
2. 给电池充电或更换为充电电池。
3. 请等待机器和电池冷却。

如果保护系统恢复后仍无改善，请联络当地的Makita（牧田）维修服务中心。

注意: 如果机器因上述所述以外的原因停止，请参阅故障排除部分。

显示电池的剩余电量

► **图片20:** 1. 电池指示灯

当剩余的电池电量变低时，低电量电池侧的电池指示灯会闪烁。进一步使用时，机器将停止运转且电池指示灯亮起。在这种情况下，请给电池组充电。

显示电池的剩余电量

按电池组上的CHECK（查看）按钮可显示电池剩余电量。指示灯将亮起数秒。

► **图片21:** 1.指示灯 2.CHECK（查看）按钮

指示灯			剩余电量
■ 点亮	□ 熄灭	▧ 闪烁	
■ ■ ■ ■			75%至100%
■ ■ ■ □			50%至75%
■ ■ □ □			25%至50%
■ □ □ □			0%至25%
▧ □ □ □			给电池充电。
■ ■ □ □ ↑ ↓ □ □ ■ ■			电池可能出现故障。

注：在不同的使用条件及环境温度下，指示灯所示电量可能与实际情况略有不同。

注：当电池保护系统启动时，第一个（最左侧）指示灯将闪烁。

控制面板

控制面板上设有主电源开关和模式切换按钮。

► **图片22:** 1.软空载模式指示灯 2.降噪模式指示灯 3.模式切换按钮 4.主电源指示灯 5.主电源开关

主电源开关

警告：不使用时，务必关闭主电源开关。

按主电源开关打开机器。主电源指示灯呈绿色点亮。再次按主电源开关关闭机器。

注：如果主电源指示灯呈红色亮起或红色/绿色闪烁，请参阅机器/电池保护系统的说明。

注：本机器采用自动关机功能。若在打开主电源开关后的一段时间内，未扣动开关柄和驱动杆（若已配置），为避免意外启动，主电源开关将自动关闭。

模式切换按钮

您可以通过按模式切换按钮来切换工作模式。打开机器时，机器在正常模式下启动。请参阅下表了解各个模式。

模式	指示灯	说明
正常模式	软空载模式指示灯和降噪模式指示灯均不亮起。	机器在正常模式下运行。
软空载模式	软空载模式指示灯呈绿色亮起。	可最大限度地减少启动时的震动，确保机器平稳启动。
降噪模式	降噪模式指示灯呈绿色亮起。	可降低割草时的噪音。

开关操作

警告：在安装电池组之前，请务必检查开关柄是否能扣动自如，以及松开时能否退回至原位。若机器上的开关无法正常工作，将可能导致机器失控，并造成严重的人身伤害。

注：在未按下开关按钮时，即便已扣动开关柄，修剪机也不会启动。

注：试图一次修剪过长或过于浓密的草可能会导致修剪机因过载而无法启动。在这种情况下请调高修剪高度。

本机器配备有开关按钮。如果您注意到开关按钮有任何异常，请立即停止操作，并将其交由最近的Makita（牧田）授权维修服务中心进行检查。

1. 安装电池组，然后关闭电池盖。
2. 按下主电源开关。

注：在扣动开关柄时，若按下主电源开关，主电源指示灯会呈绿色闪烁。按下主电源开关前，请释放开关柄。

3. 向下按住开关按钮时，向自身方向拉动开关柄。电机开始运转时，松开开关按钮。

► **图片23:** 1.开关按钮 2.开关柄

4. 握住开关柄的同时，握住并向前推动驱动杆以驱动后轮。

► **图片24:** 1.驱动杆

注：您可以向前推动驱动杆驱动后轮，然后在不扣动开关柄的情况下按住驱动杆不放。

5. 释放驱动杆和开关柄以使机器停机。

调节修剪高度

警告： 调节修剪高度时，切勿使手和腿置于修剪机身之下。

警告： 操作前请务必确保调节柄正确置于凹槽中。

您可在20 mm至100 mm范围内调节修剪高度。

关闭机器，然后朝修剪机身外拉动修剪高度调节柄，并将其移至所需的修剪高度。

► **图片25:** 1. 修剪高度调节柄

下表展示了修剪机身编号与修剪高度近似的对应关系。

编号	修剪高度
1	20 mm
2	26 mm
3	32 mm
4	39 mm
5	47 mm
6	55 mm
7	63 mm
8	74 mm
9	86 mm
10	100 mm

一只手握住下部手柄，另一只手移动修剪高度调节柄。

► **图片26:** 1. 修剪高度调节柄 2. 下部手柄

注： 仅可将修剪高度数值作为参考。草坪和地面的状况会使草坪高度与设定的高度略有不同。

注： 请在不显眼的位置进行测试修剪以获得理想的修剪高度。

草量指示器

草量指示器显示割草量。如草篮未满，刀片运行时指示器处于悬浮状态。

► **图片27:** 1. 草量指示器

如草篮即将装满，刀片运行时指示器处于非悬浮状态。在这种情况下，请立即停止操作并倒空草篮。

► **图片28:** 1. 草量指示器

注： 指示器仅为粗略指示。视草篮内部的情况而定，指示器可能无法正常操作。

调节把手高度

手柄有两个高度调节档位。

1. 抓住下部手柄，然后拉拽下部手柄上的旋钮并将旋钮转动90°来释放锁销。对另一面执行相同的操作程序。

► **图片29:** 1. 下部手柄 2. 旋钮

注： 拉拽旋钮时支撑手柄可方便释放锁销。

2. 调节手柄高度，然后将两侧旋钮转动90°。确保旋钮固定牢固。

► **图片30:** 1. 旋钮

调节行驶速度

► **图片31:** 1. 速度杆

利用速度杆可调节行驶速度。如需降低速度，请向自身方向拉动速度杆；如需提高速度，请向前转动速度杆。

使用护根装置

护根装置会使切割的草屑返回到地面上，而无需使用草篮收集草屑。操作带护根装置的机器时，务必取下草篮或排放槽。

注意： 使用带护根装置的机器时，务必确认切割后草的高度不小于30mm，切割长度不超过15mm。

► **图片32:** (1)30mm或以上 (2)15mm或以下

使用排放槽

排放槽会将切割的草屑从机器右侧排放到地面，而无需草篮来收集草屑。操作带排放槽装置的机器时，务必取下草篮和护根装置。

使用后排放

使用后排放可将切割的草屑从机器后侧排放到地面，而无需草篮收集草屑。

当您使用后排放操作机器时，请确保取下护根装置、草篮或排放槽，并关闭后盖。

电子功能

本机配备了电子功能以提高操作便利性。

- 移动时软启动
软启动功能可最小化启动时的震动，让机器平稳启动。

- 电动制动器
本机配备有电动制动器装置。释放开关柄后，若机器始终无法快速停止修剪机刀片，请将机器交由Makita（牧田）授权的维修服务中心进行维修。

操作

修剪

警告： 开始修剪操作前，请清除修剪区域内的树枝和石块。此外，还要事先清除修剪区域内的任何杂草。

警告： 操作修剪机前，请务必佩带带有侧面罩的护目镜或安全眼镜。

小心： 如果割掉的草或异物堵塞在修剪机机身内部，请务必取下电池组，然后佩戴手套清除草或异物。

注意： 此机器仅作修剪草坪之用。请勿使用此机器修剪杂草。

► 图片33

修剪草坪时，务必双手牢牢握住把手。修剪速度建议为每10秒7至14米左右。

► 图片34

注： 修剪长草坪或浓密的草坪时，如果修剪后发现草坪的长度不均或不平整，或在修剪期间发现电机速度降低，请将修剪速度放慢到低于本手册中推荐的值或升高修剪高度。

前轮脚的中心线用作修剪宽度的参照线。以这两条中心线为参照进行长条形修剪。修剪下一行时，从上一次修剪宽度的1/2至1/3处继续修剪，以均匀修剪草坪。

► **图片35：** 1. 修剪宽度 2. 重叠区域
3. 中心线

每次修剪都要改变一次修剪方向，以免草坪纹路固定朝向一个方向。

► 图片36

定期检查草篮中剪除的草。请在其变满前清空。每次定期检查前，请务必停止并关闭机器。

注意： 在草篮已满的情况下使用修剪机，会有碍于刀片旋转并给电机带来额外负载，这可能会导致工具破裂。

修剪长草坪

请勿试图一次性修剪较长的草坪。相反，请分阶段修剪草坪。可间隔一天或两天进行修剪，直至草坪高度统一。

► 图片37

注： 一次性将较长的草坪修剪得比较短，可能会导致草坪枯萎。切割下来的草坪也可能堵塞修剪机机身内部。

注： 如果修剪后发现草坪的长度不均或不平整，或在修剪期间发现电机速度降低，请放慢修剪速度或升高修剪高度。

清空草篮

警告： 为降低意外风险，请定期检查草篮是否有损伤或强度减弱。在必要时予以更换。

1. 松开开关柄和驱动杆。
 2. 关闭机器。
 3. 打开后盖，握住手柄取出草篮。
- **图片38：** 1. 后盖 2. 手柄 3. 草篮
4. 清空草篮。

保养

警告： 在存放、搬运机器或尝试执行检查或保养前，请务必从机器中取出电池组。

警告： 进行检查和保养操作时，请佩戴手套。

警告： 执行检查或保养时，请务必佩带有侧面罩的护目镜或安全眼镜。

注意： 切勿使用汽油、苯、稀释剂、酒精或类似物品清洁工具。否则可能会导致工具变色、变形或出现裂缝。

为了保证产品的安全与可靠性，维修、任何其他维修保养或调节需由Makita（牧田）授权的或工厂维修服务中心完成。务必使用Makita（牧田）的替换部件。

保养

1. 取出电池组，然后关闭电池盖。
2. 侧面放置修剪机。清洁修剪机底板下侧累积的草屑。

3. 朝安装有刀片的机器底部冲水。

注意： 请勿用高压水清洗机器。

4. 检查并确保所有螺母、螺栓、螺丝等部件完全紧固。

5. 检查移动部件是否有损伤、破裂和磨损。已损坏或遗失的部件应进行维修或更换。

6. 将草坪机存于儿童接触不到的安全位置。

注意： 请勿对图示区域冲水。对电机组件冲水可能导致机器故障。

► 图片39: 1. 不得冲水的区域

注意： 当机器处于如图所示的直立位置时，请勿将水倒在机器上。如果机器处于直立位置，水可能会从电机装置中流下，导致机器出现故障。

► 图片40

搬运草坪机

小心： 在搬运修剪机之前，请务必取出电池组。

搬运草坪机时，请按图中所示由两人握住后把手和机器正面的下部抓握部分。

► 图片41: 1. 下部抓握部分 2. 后把手

存放

小心： 直立放置机器时，请将其置于平坦、稳定的表面上。若将机器放置于不稳定的表面，机器可能会翻倒伤及人员。

请将修剪机存于室内清凉、干燥和加锁的地方。请勿将修剪机和充电器存于温度可能达到或超过40 °C的场所。

1. 取出电池组。

2. 拉拽下部手柄旋钮的同时将旋钮转动90°以释放锁销。对另一面执行相同的操作程序，然后折叠手柄。

► 图片42: 1. 旋钮

注： 拉拽旋钮时支撑手柄可方便释放锁销。

3. 将两侧的旋钮转动90°。确保旋钮固定牢固。

► 图片43: 1. 旋钮

注意： 折叠手柄时，请小心避免导线遭受挤压。

4. 拧松两侧的手拧螺母，然后按照图示折叠上部手柄。

► 图片44: 1. 手拧螺母 2. 上部手柄

5. 直立放置机器。

注： 直立放置修剪机时，请勿只抓握手柄，而应同时抓住修剪机机身和手柄。

6. 按照图示，存放草篮。

► 图片45: 1. 草篮

► 图片46: 1. 草篮

拆卸或安装修剪机刀片

警告： 释放开关后，刀片仍会旋转数秒钟。切勿在刀片完全停止前进行任何操作。

警告： 拆卸或安装刀片时，请务必取出电池组。若未取出电池组，可能会造成严重的人身伤害。

警告： 处理刀片时，务必佩戴手套。

拆下草坪机刀片

1. 侧面放置修剪机，使修剪高度调节柄位于上方。

2. 若要锁定刀片，请将销钉插入修剪机机身孔内的极限位置。

3. 使用套筒扳手17逆时针转动螺栓。

► 图片47: 1. 修剪机刀片 2. 销钉 3. 套筒扳手

4. 拆下螺栓，然后拆下修剪机刀片。

► 图片48: 1. 刀片支架 2. 修剪机刀片 3. 螺栓 4. 凸起部分

注意： 在安装修剪机刀片时，确保刀片支架上的凸起部分嵌入修剪机刀片的孔内。

安装草坪机刀片

警告： 安装修剪机刀片时，请小心谨慎。确保其具有正确的上部/下部朝向。

警告： 顺时针拧紧螺栓以固定刀片。

警告： 确保修剪机刀片和所有固定件均已正确安装和紧固。

警告： 更换刀片时，务必遵循本说明书中的指示。

注意： 在安装修剪机刀片后，拆下修剪机身上的销钉。

要安装修剪机刀片时，可按与拆卸时相反的步骤进行操作。

故障排除

请求维修前，请先自行检查。如果您发现本手册中有未作说明的问题，请勿尝试拆卸机器。请联络Makita（牧田）授权维修服务中心，使用Makita（牧田）的替换部件进行修复。

异常状态	可能原因（故障）	纠正措施
修剪机不启动。	未安装电池组。	安装充满电的电池组。
	电池故障（欠压）	请给电池组充电。如果充电无效，则更换电池组。
使用一段时间后电机不旋转。	电池电量低。	请给电池组充电。如果充电无效，则更换电池组。
	切割高度过低。	增加切割高度。
	切割的草屑阻塞在修剪机内。	清除修剪机中阻塞的草屑。
电机未达到最大转速。	电池组安装不当。	按本手册所述安装电池组。
	电池电力下降。	请给电池组充电。如果充电无效，则更换电池组。
	驱动系统未正常工作。	请到当地授权的维修服务中心进行维修。
修剪机刀片不旋转： ⇒ 请立即停止修剪机！	异物（如树枝）夹入刀片旁。	清除异物。
	驱动系统未正常工作。	请到当地授权的维修服务中心进行维修。
异常振动： ⇒ 请立即停止修剪机！	刀片不平衡，过度或不均匀磨损。	更换刀片。

选购附件

⚠小心： 这些附件或装置专用于本说明书所列的Makita（牧田）机器。若使用其他附件或装置，则可能存在人身伤害风险。仅可将附件或装置用于规定目的。

如您需要了解更多关于这些选购附件的信息，请咨询当地的Makita（牧田）维修服务中心。

- 修剪机刀片
- Makita（牧田）原装电池和充电器

注： 本列表中的一些部件可能作为标准配件包含于产品包装内。它们可能因销往国家之不同而异。

SPEKIFIKASI

Model:		LM003J	LM004J
Lebar pemotong (diameter pisau)		480 mm	534 mm
Kecepatan tanpa beban	Mode normal	3.200 min ⁻¹	2.800 min ⁻¹
	Mode tanpa beban ringan	2.500 - 3.200 min ⁻¹	2.300 - 2.800 min ⁻¹
	Mode pengurangan bising	2.500 min ⁻¹	2.300 min ⁻¹
Nomor komponen pisau pemotong pengganti	Pisau pemotong lurus	191V97-3	191V96-5
	Pisau pemotong lurus *1	-	191W87-2
	Mata pisau mulsa	191Y64-6	191Y65-4
Dimensi (P x L x T)	saat dioperasikan	P: 1.670 mm hingga 1.745 mm L: 550 mm T: 965 mm hingga 1.075 mm	P: 1.740 mm hingga 1.810 mm L: 595 mm T: 970 mm hingga 1.080 mm
	pada saat disimpan (tanpa keranjang rumput)	585 mm x 550 mm x 900 mm	580 mm x 595 mm x 930 mm
Kecepatan jalan		1,5 - 6,5 km/h	
Tegangan terukur		D.C. 57,6 V - 64 V maks	
Berat bersih		30,9 - 33,8 kg	31,5 - 34,6 kg
Derajat perlindungan		IPX4	

*1. Pisau pemotong rumput untuk pengumpulan rumput yang lebih efisien.

- Karena kesinambungan program penelitian dan pengembangan kami, spesifikasi yang disebutkan di sini dapat berubah tanpa pemberitahuan.
- Spesifikasi dapat berbeda dari satu negara ke negara lainnya.
- Berat alat mungkin berbeda tergantung perangkat tambahan yang dipasang, termasuk kartrid baterai. Kombinasi alat terberat dan teringan, sesuai Prosedur EPTA 01/2014, ditunjukkan pada tabel.

Kartrid dan pengisi daya baterai yang dapat digunakan

Kartrid baterai	BL6440
Pengisi daya	DC64WA

- Beberapa kartrid baterai dan pengisi daya yang tercantum di atas mungkin tidak tersedia, tergantung wilayah tempat tinggal Anda.

⚠ PERINGATAN: Hanya gunakan kartrid dan pengisi daya baterai yang tercantum di atas. Penggunaan kartrid dan pengisi daya baterai lain dapat menimbulkan risiko cedera dan/atau kebakaran.

Simbol

Berikut ini adalah simbol-simbol yang dapat digunakan pada peralatan ini. Pastikan Anda memahami arti masing-masing simbol sebelum menggunakan peralatan.



Jangan biarkan lembab.



Berhati-hatilah dan pusatkan perhatian Anda.



Baca petunjuk penggunaan.



Bahaya; hati-hati terhadap objek yang terlempar.



Jarak antara peralatan dan orang-orang di sekitar harus sedikitnya 15 m.



Jangan letakkan tangan dan kaki Anda di dekat pisau pemotong di bawah pemotong rumput. Pisau pemotong masih tetap berputar setelah motor dimatikan.



Peringatan; Lepaskan baterai sebelum melakukan pemeliharaan.



Bahaya listrik. Kontak dengan air dapat menyebabkan sengatan listrik.



Jangan menuangkan air.



Hanya untuk negara-negara UE
Akibat adanya komponen berbahaya dalam peralatan, limbah peralatan listrik dan elektronik, aki dan baterai dapat memiliki dampak negatif pada lingkungan dan kesehatan manusia.
Jangan buang peralatan listrik dan elektronik atau baterai bersama limbah rumah tangga!
Sesuai dengan Petunjuk Eropa tentang limbah peralatan listrik dan elektronik dan tentang aki dan baterai serta limbah aki dan baterai, serta penyesuaiannya terhadap undang-undang nasional, limbah peralatan listrik, baterai dan aki harus disimpan secara terpisah dan dikirim ke tempat pengumpulan terpisah untuk sampah kota, beroperasi sesuai dengan peraturan tentang perlindungan lingkungan.
Hal ini ditunjukkan dengan simbol tempat sampah bersilang yang ditempatkan pada peralatan.



Level kekuatan suara terjamin sesuai dengan Petunjuk Kebisingan Di Luar Ruang Uni Eropa.



Level kekuatan suara sesuai dengan Peraturan Kontrol Kebisingan NSW Australia

Penggunaan

Mesin ini digunakan untuk memotong rumput.

PERINGATAN KESELAMATAN

Peringatan keselamatan umum mesin listrik

⚠️ PERINGATAN Bacalah semua peringatan keselamatan, petunjuk, ilustrasi dan spesifikasi yang disertakan bersama mesin listrik ini. Kelalaian untuk mematuhi semua petunjuk yang tercantum di bawah ini dapat menyebabkan sengatan listrik, kebakaran dan/atau cedera serius.

Simpanlah semua peringatan dan petunjuk untuk acuan di masa depan.

Istilah "mesin listrik" dalam semua peringatan mengacu pada mesin listrik yang dijalankan dengan sumber listrik jala-jala (berkabel) atau baterai (tanpa kabel).

Keselamatan tempat kerja

1. **Jaga tempat kerja selalu bersih dan berpenerangan cukup.** Tempat kerja yang berantakan dan gelap mengundang kecelakaan.
2. **Jangan gunakan mesin listrik dalam lingkungan yang mudah meledak, misalnya jika ada cairan, gas, atau debu yang mudah menyala.** Mesin listrik menimbulkan bunga api yang dapat menyalaakan debu atau uap tersebut.

3. **Jauhkan anak-anak dan orang lain saat menggunakan mesin listrik.** Bila perhatian terpecah, anda dapat kehilangan kendali.

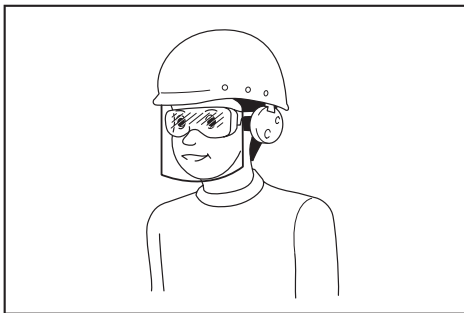
Keamanan Kelistrikan

1. **Steker mesin listrik harus cocok dengan stopkontak. Jangan sekali-kali mengubah steker dengan cara apa pun. Jangan menggunakan steker adaptor dengan mesin listrik terbumi (dibumikan).** Steker yang tidak diubah dan stopkontak yang cocok akan mengurangi risiko sengatan listrik.
2. **Hindari sentuhan tubuh dengan permukaan terbumi atau yang dibumikan seperti pipa, radiator, kompor, dan kulkas.** Risiko sengatan listrik bertambah jika tubuh Anda terbumikan atau dibumikan.
3. **Jangan membiarkan mesin listrik kehujanan atau kebasahan.** Air yang masuk ke dalam mesin listrik akan meningkatkan risiko sengatan listrik.
4. **Jangan menyalahgunakan kabel. Jangan sekali-kali menggunakan kabel untuk membawa, menarik, atau mencabut mesin listrik dari stopkontak. Jauhkan kabel dari panas, minyak, tepian tajam, atau bagian yang bergerak.** Kabel yang rusak atau kusut memperbesar risiko sengatan listrik.
5. **Bila menggunakan mesin listrik di luar ruangan, gunakan kabel ekstensi yang sesuai untuk penggunaan di luar ruangan.** Penggunaan kabel yang sesuai untuk penggunaan luar ruangan mengurangi risiko sengatan listrik.
6. **Jika mengoperasikan mesin listrik di lokasi lembap tidak terhindarkan, gunakan pasokan daya yang dilindungi peranti imbasan arus (residual current device - RCD).** Penggunaan RCD mengurangi risiko sengatan listrik.
7. **Mesin listrik dapat menghasilkan medan magnet (EMF) yang tidak berbahaya bagi pengguna.** Namun, pengguna alat pacu jantung atau peralatan medis sejenisnya harus berkonsultasi dengan produsen peralatan tersebut dan/atau dokter mereka sebelum mengoperasikan mesin listrik ini.

Keselamatan Diri

1. **Jaga kewaspadaan, perhatikan pekerjaan Anda dan gunakan akal sehat bila menggunakan mesin listrik.** Jangan menggunakan mesin listrik saat Anda lelah atau di bawah pengaruh obat bius, alkohol, atau obat. Sekejap saja lalai saat menggunakan mesin listrik dapat menyebabkan cedera badan serius.
2. **Gunakan alat pelindung diri. Selalu gunakan pelindung mata.** Peralatan pelindung seperti masker debu, sepatu pengaman anti-selip, helm pengaman, atau pelindung telinga yang digunakan untuk kondisi yang sesuai akan mengurangi risiko cedera badan.

3. **Cegah penyalaaan yang tidak disengaja.** Pastikan bahwa sakelar berada dalam posisi mati (off) sebelum menghubungkan mesin ke sumber daya dan/atau paket baterai, atau mengangkat atau membawanya. Membawa mesin listrik dengan jari Anda pada sakelarnya atau mengalirkan listrik pada mesin listrik yang sakelarnya hidup (on) akan mengundang kecelakaan.
4. **Lepaskan kunci-kunci penyetel sebelum menghidupkan mesin listrik.** Kunci-kunci yang masih terpasang pada bagian mesin listrik yang berputar dapat menyebabkan cedera.
5. **Jangan meraih terlalu jauh. Jagalah pijakan dan keseimbangan sepanjang waktu.** Hal ini memungkinkan kendali yang lebih baik atas mesin listrik dalam situasi yang tidak diharapkan.
6. **Kenakan pakaian yang memadai. Jangan memakai pakaian yang longgar atau perhiasan.** Jaga jarak antara rambut dan pakaian Anda dengan komponen mesin yang bergerak. Pakaian yang longgar, perhiasan, atau rambut yang panjang dapat tersangkut pada komponen yang bergerak.
7. **Jika tersedia fasilitas untuk menghisap dan mengumpulkan debu, pastikan fasilitas tersebut terhubung listrik dan digunakan dengan baik.** Penggunaan pembersih debu dapat mengurangi bahaya yang terkait dengan debu.
8. **Jangan sampai Anda lengah dan mengabaikan prinsip keselamatan mesin ini hanya karena sudah sering mengoperasikannya dan sudah merasa terbiasa.** Tindakan yang lalai dapat menyebabkan cedera berat dalam sepersekian detik saja.
9. **Selalu kenakan kacamata pelindung untuk melindungi mata dari cedera saat menggunakan mesin listrik.** Kacamata harus sesuai dengan ANSI Z87.1 di Amerika Serikat, EN 166 di Eropa, atau AS/NZS 1336 di Australia/Selandia Baru. Di Australia/Selandia Baru, secara hukum Anda juga diwajibkan mengenakan pelindung wajah untuk melindungi wajah Anda.



Menjadi tanggung jawab atasan untuk menerapkan penggunaan alat pelindung keselamatan yang tepat bagi operator mesin dan orang lain yang berada di area kerja saat itu.

Penggunaan dan pemeliharaan mesin listrik

1. **Jangan memaksa mesin listrik. Gunakan mesin listrik yang tepat untuk keperluan Anda.** Mesin listrik yang tepat akan menuntaskan pekerjaan dengan lebih baik dan aman pada kecepatan sesuai rancangannya.
2. **Jangan gunakan mesin listrik jika sakelar tidak dapat menyalakan dan mematikannya.** Mesin listrik yang tidak dapat dikendalikan dengan sakelarnya adalah berbahaya dan harus diperbaiki.
3. **Cabut steker dari sumber listrik dan/atau lepas paket baterai, jika dapat dilepas, dari mesin listrik sebelum melakukan penyetelan apa pun, mengganti aksesor, atau menyimpan mesin listrik.** Langkah keselamatan preventif tersebut mengurangi risiko hidupnya mesin secara tak sengaja.
4. **Simpan mesin listrik jauh dari jangkauan anak-anak dan jangan biarkan orang yang tidak paham mengenai mesin listrik tersebut atau petunjuk ini menggunakan mesin listrik.** Mesin listrik sangat berbahaya di tangan pengguna yang tak terlatih.
5. **Rawatlah mesin listrik dan aksesor. Periksa apakah ada komponen bergerak yang tidak lurus atau macet, komponen yang pecah, dan kondisi-kondisi lain yang dapat memengaruhi pengoperasian mesin listrik. Jika rusak, perbaiki mesin listrik terlebih dahulu sebelum digunakan.** Banyak kecelakaan disebabkan oleh kurangnya pemeliharaan mesin listrik.
6. **Jaga agar mesin pemotong tetap tajam dan bersih.** Mesin pemotong yang terawat baik dengan mata pemotong yang tajam tidak mudah macet dan lebih mudah dikendalikan.
7. **Gunakan mesin listrik, aksesor, dan mata mesin, dll. sesuai dengan petunjuk ini, dengan memperhitungkan kondisi kerja dan jenis pekerjaan yang dilakukan.** Penggunaan mesin listrik untuk penggunaan yang lain dari peruntukan dapat menimbulkan situasi berbahaya.
8. **Jagalah agar gagang dan permukaan pegangan tetap kering, bersih, dan bebas dari minyak dan pelumas.** Gagang dan permukaan pegangan yang licin tidak mendukung keamanan penanganan dan pengendalian mesin dalam situasi-situasi tak terduga.
9. **Ketika menggunakan mesin, jangan menggunakan sarung tangan kain yang dapat tersangkut.** Sarung tangan kain yang tersangkut pada komponen bergerak dapat mengakibatkan cedera pada pengguna.

Penggunaan dan pemeliharaan mesin bertenaga baterai

1. **Isi ulang baterai hanya dengan pengisi daya yang ditentukan oleh pabrik.** Pengisi daya yang cocok untuk satu jenis paket baterai dapat menimbulkan risiko kebakaran ketika digunakan untuk paket baterai yang lain.
2. **Gunakan mesin listrik hanya dengan paket baterai yang telah ditentukan secara khusus.** Penggunaan paket baterai lain dapat menimbulkan risiko cedera dan kebakaran.

3. **Ketika paket baterai tidak digunakan, jauhkan dari benda logam lain, seperti penjepit kertas, uang logam, kunci, paku, sekrup atau benda logam kecil lainnya, yang dapat menghubungkan satu terminal ke terminal lain.** Hubungan singkat terminal baterai dapat menyebabkan luka bakar atau kebakaran.
4. **Pemakaian yang salah, dapat menyebabkan keluarnya cairan dari baterai; hindari kontak. Jika terjadi kontak secara tidak sengaja, bilas dengan air. Jika cairan mengenai mata, cari bantuan medis.** Cairan yang keluar dari baterai bisa menyebabkan iritasi atau luka bakar.
5. **Jangan menggunakan paket baterai atau mesin yang sudah rusak atau telah diubah.** Baterai yang rusak atau telah diubah dapat menyebabkan hal-hal yang tidak dapat diprediksi yang dapat menyebabkan kebakaran, ledakan atau risiko cedera.
6. **Jangan membiarkan paket baterai atau mesin dekat dengan api atau suhu yang berlebihan.** Paparan api atau suhu di atas 130 °C dapat menyebabkan ledakan.
7. **Ikuti semua petunjuk pengisian daya dan jangan mengisi daya paket baterai atau mesin di luar rentang suhu yang ditentukan di panduan.** Mengisi daya secara tidak tepat atau pada suhu di luar rentang yang ditentukan dapat merusak baterai dan meningkatkan risiko kebakaran.
5. **Sering-seringlah memeriksa penangkap rumput untuk memastikan tidak ada bagian yang aus atau cacat.** Penangkap rumput yang aus atau rusak meningkatkan risiko cedera pribadi.
6. **Jaga agar pelindung selalu terpasang di tempatnya. Pelindung harus berfungsi dengan baik dan terpasang dengan benar.** Pelindung yang longgar, rusak, atau tidak berfungsi dengan benar harus dapat mengakibatkan risiko cedera pribadi.
7. **Jauhkan semua inlet udara pendingin dari serpihan.** Inlet udara yang tersumbat dan serpihan dapat menyebabkan panas berlebih atau risiko kebakaran.
8. **Ketika mengoperasikan mesin pemotong rumput, selalu kenakan sepatu pelindung antislip. Jangan mengoperasikan mesin pemotong rumput tanpa mengenakan alas kaki, atau hanya dengan mengenakan sandal.** Hal ini mengurangi kemungkinan cedera pada kaki akibat kontak dengan mata pisau yang bergerak.
9. **Saat mengoperasikan mesin pemotong rumput, selalu kenakan celana panjang.** Kulit yang terlihat meningkatkan kemungkinan cedera akibat benda yang terlempar.
10. **Jangan mengoperasikan mesin pemotong rumput pada rumput basah. Berjalanlah, jangan berlari.** Hal ini mengurangi risiko tergelincir dan jatuh yang dapat mengakibatkan cedera pribadi.

Servis

1. **Berikan mesin listrik untuk diperbaiki hanya kepada oleh teknisi yang berkualifikasi dengan menggunakan hanya suku cadang pengganti yang serupa.** Hal ini akan menjamin terjaganya keamanan mesin listrik.
2. **Jangan pernah memperbaiki paket baterai yang sudah rusak.** Perbaikan paket baterai harus dilakukan hanya oleh produsen atau penyedia servis resmi.
3. **Patuhi petunjuk pelumasan dan penggantian aksesoris.**
11. **Jangan operasikan mesin pemotong rumput di lereng yang curam.** Hal ini mengurangi risiko kehilangan kendali, terpelelet dan jatuh, yang dapat mengakibatkan cedera.
12. **Ketika bekerja di atas lereng, pastikan pijakan kaki Anda, selalu bekerja dengan posisi melintang di muka lereng, jangan pernah bekerja dengan posisi sesuai arah menurun atau menanjak lereng, dan berhati-hatilah ketika belok.** Hal ini mengurangi risiko kehilangan kendali, terpelelet dan jatuh, yang dapat mengakibatkan cedera.

Peringatan Keselamatan Mesin Pemotong Rumput Tanpa Kabel

1. **Jangan gunakan mesin pemotong rumput saat kondisi cuaca buruk, terutama jika terdapat risiko sambaran petir.** Hal ini akan mengurangi risiko disambar petir.
2. **Periksa dengan saksama area untuk satwa liar di mana mesin pemotong rumput akan digunakan.** Satwa liar dapat terluka oleh mesin pemotong rumput selama pengoperasian.
3. **Periksa dengan saksama area di mana mesin pemotong rumput akan digunakan dan singkirkan semua batu, tongkat, kabel, tulang, dan benda asing lainnya.** Benda yang terlempar dapat menyebabkan cedera pribadi.
4. **Sebelum menggunakan mesin pemotong rumput, selalu periksa secara visual untuk memastikan bahwa mata pisau dan raketan bilah tidak aus atau rusak.** Bagian yang aus atau rusak meningkatkan risiko cedera.
13. **Sangat berhati-hatilah saat memundurkan atau menarik mesin pemotong rumput ke arah Anda.** Selalu waspada dengan lingkungan sekitar Anda. Hal ini mengurangi risiko tersandung selama operasi.
14. **Jangan menyentuh mata pisau dan bagian berbahaya lainnya yang bergerak saat mesin bergerak.** Hal ini mengurangi risiko cedera dari bagian yang bergerak.
15. **Saat membersihkan material yang macet atau membersihkan mesin pemotong rumput, pastikan semua sakelar daya mati dan baterai dilepas atau diputus sambungannya.** Mesin pemotong rumput yang dioperasikan secara tidak sengaja dapat menyebabkan cedera pribadi serius.

SIMPAN PETUNJUK INI.

⚠️ PERINGATAN: JANGAN biarkan kenyamanan atau terbiasanya Anda dengan produk (karena penggunaan berulang) mengurangi kepatuhan yang ketat terhadap aturan keselamatan untuk produk yang terkait.

⚠️ PENYALAHGUNAAN atau kelalaian mematuhi kaidah keselamatan yang tertera dalam petunjuk ini dapat menyebabkan cedera badan serius.

PETUNJUK KESELAMATAN PENTING

⚠️ PERINGATAN: Bacalah semua peringatan keselamatan dan semua petunjuk. Kelalaian mematuhi peringatan dan petunjuk dapat menyebabkan sengatan listrik, kebakaran dan/atau cedera serius.

Simpanlah semua peringatan dan petunjuk untuk acuan di masa depan.

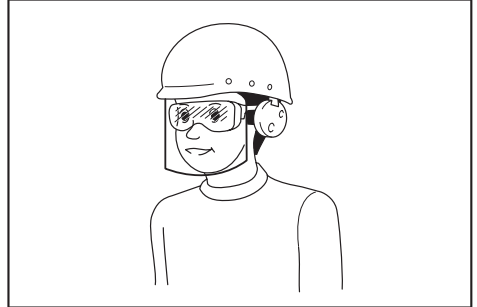
Pelatihan

1. Baca petunjuk dengan saksama. Pahami kontrol dan cara penggunaan pemotong yang benar.
2. Jangan biarkan pemotong rumput ini digunakan oleh anak-anak atau orang yang tidak terbiasa menggunakannya. Peraturan setempat mungkin membatasi usia operator.
3. Jangan gunakan pemotong jika ada orang, khususnya anak-anak, atau binatang peliharaan di dekatnya.
4. Selalu ingat bahwa operator atau pengguna bertanggung jawab atas kecelakaan atau bahaya yang terjadi pada orang-orang lain atau propertinya.
5. Awasi anak-anak untuk memastikan mereka tidak bermain-main dengan pemotong rumput ini.
6. Kondisi fisik - Jangan mengoperasikan pemotong rumput saat Anda dalam pengaruh obat-obatan terlarang, alkohol, atau obat-obatan lainnya.

Persiapan

1. Saat mengoperasikan pemotong, selalu kenakan alas kaki dan celana panjang yang memadai. Jangan mengoperasikan pemotong rumput tanpa mengenakan alas kaki, atau hanya dengan mengenakan sandal. Hindari memakai pakaian atau perhiasan yang longgar atau yang memiliki gantungan atau ikatan. Bagian-bagian tersebut mungkin saja tersangkut pada komponen mesin yang bergerak.
2. Sebelum digunakan, selalu periksa secara visual pemotong untuk menemukan pengaman atau pelindung yang rusak, hilang atau salah ditempatkan.

3. Pastikan tidak ada orang lain di sekitar sebelum mulai memotong rumput. Hentikan pemotong apabila ada orang yang masuk ke area kerja.
4. Selalu kenakan kacamata pelindung untuk melindungi mata dari cedera saat menggunakan mesin listrik. Kacamata harus sesuai dengan ANSI Z87.1 di Amerika Serikat, EN 166 di Eropa, atau AS/NZS 1336 di Australia/Selandia Baru. Di Australia/Selandia Baru, secara hukum Anda juga diwajibkan mengenakan pelindung wajah untuk melindungi wajah Anda.



Menjadi tanggung jawab atasan untuk menerapkan penggunaan alat pelindung keselamatan yang tepat bagi operator mesin dan orang lain yang berada di area kerja saat itu.

5. Sebelum dioperasikan, periksa mata pisau atau baut pisau dengan saksama untuk memastikan tidak ada bagian yang retak atau rusak. Segera ganti mata pisau atau baut pisau yang retak atau rusak.
6. Untuk menghindari cedera perseorangan atau kerusakan pada pemotong, singkirkan benda-benda asing seperti batu, kawat, botol, tulang, dan tongkat besar dari area kerja sebelum mulai memotong rumput.
7. Objek yang terpendal dari mata pisau pemotong dapat menyebabkan cedera berat pada manusia. Rumput harus diperiksa dengan cermat dan dibersihkan dari segala objek setiap kali sebelum mulai memotong.
8. Perhatikan lubang, bekas roda, gundukan, batu, atau benda tersembunyi lainnya. Medan yang tidak rata dapat menyebabkan kecelakaan terpeleset dan jatuh. Rumput yang tinggi dapat menutupi penghalang.
9. Gunakan alat pelindung diri. Selalu gunakan pelindung mata. Peralatan pelindung seperti masker debu, sepatu pengaman anti-selip, helm pengaman, atau pelindung telinga yang digunakan untuk kondisi yang sesuai akan mengurangi risiko cedera badan.

Pengoperasian

1. Bekerjalah sesuai jangkauan Anda. Jaga keseimbangan yang tepat. Pastikan pijakan sempurna saat berdiri di area miring. Berjalanlah, jangan berlari.

2. Hentikan pemotong dan matikan mesinnya, dan pastikan semua bagian yang bergerak telah berhenti sepenuhnya:
 - saat Anda meninggalkan pemotong,
 - sebelum membersihkan sumbatan atau saat membersihkan saluran yang tersumbat
 - sebelum memeriksa, membersihkan atau menggunakan pemotong,
 - setelah membentur benda asing. Periksa apakah ada kerusakan pada pemotong, dan lakukan perbaikan sebelum kembali menyalakan dan mengoperasikannya,
 - saat pemotong mulai bergetar secara abnormal.
3. Jangan pernah mengoperasikan pemotong dengan mengenakan pengaman atau pelindung yang cacat, atau tanpa memasang perangkat pengaman, misalnya deflektor dan/ atau keranjang rumput.
4. Hindari menggunakan pemotong saat kondisi cuaca buruk, terutama jika terdapat risiko adanya sambaran petir.
5. Gunakan pelindung mata dan sepatu dengan bahan kulit saat mengoperasikan pemotong.
6. Gunakan mesin pemotong hanya di siang hari atau dalam kondisi cahaya mencukupi.
7. Nyalakan pemotong perlahan sesuai instruksi, dan jaga jarak kaki Anda dari mata pisau (-pisau).
8. Berhati-hatilah terhadap cedera pada kaki dan tangan karena pisau pemotong.
9. Selalu pastikan saluran ventilasi bebas dari serpihan.
10. Untuk area miring, lakukan pemotongan melintasi permukaan bagian miringnya, bukan naik dan turun. Perhatikan pada saat mengubah arah di area miring. Jangan memotong secara berlebihan di area miring yang curam.
11. Sangat berhati-hatilah saat memundurkan atau menarik pemotong ke arah Anda.
12. Hentikan pisau(-pisau) jika pemotong harus digerakkan dengan cara dimiringkan saat melintasi permukaan selain rumput, serta saat Anda memindahkan pemotong ke dan dari area kerja.
13. Jangan memiringkan pemotong saat menyalakan motornya, kecuali jika pemotong harus dimiringkan saat dinyalakan. Dalam hal ini, jangan memiringkan pemotong secara berlebihan, dan angkatlah hanya bagian yang semestinya, yaitu yang berjauhan dengan operator. Selalu pastikan kedua tangan berada pada posisi pengoperasian sebelum mengembalikan pemotong ke tanah.
14. Jangan letakkan tangan atau kaki di dekat atau di bawah bagian yang berputar. Selalu jaga jarak dari lubang pembuangan.
15. Jangan memindahkan pemotong selama masih dalam kondisi menyala.
16. Hindari penggunaan pemotong pada rumput basah.
17. Selalu pegang kuat-kuat pada bagian pegangannya.
18. Saat mengangkat atau memegang pemotong rumput, jangan menggenggam mata pisau pemotong atau tepian pemotong yang terlihat.
19. Jauhkan tangan dan kaki dari mata pisau yang berputar. Perhatian - Pisau masih akan bergerak perlahan setelah sakelar mesin dimatikan.
20. Segera hentikan pengoperasian jika Anda merasa ada yang tidak normal. Matikan pemotong. Kemudian, periksa pemotong.
21. Jangan pernah mencoba menyetal ketinggian pemotongan ketika mesin sedang bekerja apabila terdapat fitur tersebut pada mesin.
22. Lepaskan tuas sakelar dan tunggu hingga mata pisau berhenti berputar sebelum melintasi area parkir, area pejalan kaki, jalan, dan area-area lain yang tertutup kerikil. Selain itu matikan mesin jika Anda akan meninggalkan pemotong, mengambil atau menyingkirkan sesuatu di sekitar Anda, atau melakukan hal-hal lain yang dapat mengalihkan perhatian dari pekerjaan Anda.
23. Jika pemotong membentur benda asing, ikuti langkah-langkah berikut:
 - Hentikan pemotong, lepaskan tuas sakelar dan tunggu hingga mata pisau berhenti sepenuhnya.
 - Lepaskan kartrid baterai.
 - Periksa mesin secara menyeluruh untuk memastikan apakah ada bagian yang rusak.
 - Gantilah mata pisau jika rusak. Perbaiki segala kerusakan sebelum kembali menyalakan mesin dan melanjutkan pengoperasian pemotong rumput.
24. Jangan menyalakan pemotong saat Anda berdiri di depan lubang pembuangan.
25. Jika pemotong tiba-tiba bergetar secara tidak biasa (segera periksa)
 - periksa apakah ada kerusakan,
 - ganti atau perbaiki semua komponen yang rusak,
 - periksa dan kencangkan semua komponen yang kendur.
26. Jangan pernah mengarahkan bahan yang dikeluarkan ke siapa pun. Hindari mengeluarkan bahan ke arah dinding atau penghalang. Bahan dapat memantul kembali ke arah operator. Hentikan pisau saat melewati permukaan berkerikil.
27. Jangan tarik pemotong ke belakang kecuali jika benar-benar diperlukan. Ketika Anda terpaksa untuk menarik pemotong rumput dari pagar atau penghalang serupa lainnya, lihat ke bawah dan ke belakang sebelum dan saat bergerak ke belakang.
28. Matikan motor dan tunggu sampai pisau berhenti sepenuhnya sebelum melepas penangkap rumput. Berhati-hatilah karena pisau masih berputar setelah dimatikan.
29. Ketika Anda menggunakan mesin di permukaan berlumpur, lereng basah, atau tempat yang licin, perhatikan pijakan Anda dengan saksama.
30. Jangan biarkan mesin terendam genangan air.

31. Saat mengoperasikan mesin, perhatikan perpipaan dan perkabelan.

Perawatan dan penyimpanan

1. Ganti bagian yang aus atau rusak untuk menjamin keamanan. Gunakan hanya komponen dan aksesoris pengganti yang asli.
2. Periksa dan rawat pemotong secara rutin.
3. Saat tidak digunakan, simpan mesin pemotong jauh dari jangkauan anak-anak.
4. Kencangkan semua mur, baut, dan sekrup pengencang untuk memastikan bahwa mesin aman untuk digunakan.
5. Sering-seringlah memeriksa keranjang rumput untuk memastikan tidak ada bagian yang aus atau cacat. Untuk penyimpanan, selalu pastikan keranjang rumput kosong. Untuk menjamin keamanan, ganti keranjang rumput yang aus dengan komponen pengganti dari pabrik.
6. Gunakan hanya mata pisau asli dari pabrik yang ditentukan dalam buku petunjuk ini.
7. Berhati-hatilah saat menyesuaikan pengaturan pemotong agar jari-jemari Anda tidak tersangkut di antara mata pisau yang bergerak dan bagian tidak bergerak pada pemotong.
8. Periksa baut mata pisau secara berkala dan sering untuk memastikan kekencangannya.
9. Selalu biarkan pemotong mendingin sebelum disimpan.
10. Saat memperbaiki mata pisau, perhatikan bahwa walaupun sakelar mesin telah dimatikan, mata pisau masih tetap dapat bergerak.
11. Jangan pernah melepas atau merusak alat keselamatan. Periksa pengoperasian yang tepat secara rutin. Jangan pernah melakukan apa pun untuk menginterferensi fungsi alat keselamatan yang dimaksudkan atau untuk mengurangi perlindungan yang diberikan oleh alat keselamatan.
12. Jangan meninggalkan mesin tanpa pengawasan di luar saat hujan.
13. Ketika menyimpan mesin, hindari terkena cahaya matahari dan hujan langsung, dan simpan di tempat yang jauh dari panas atau lembap.

Penggunaan dan pemeliharaan mesin bertenaga baterai

1. Isi ulang baterai hanya dengan pengisi daya yang ditentukan oleh pabrikan. Pengisi daya yang cocok untuk satu jenis paket baterai dapat menimbulkan risiko kebakaran ketika digunakan untuk paket baterai yang lain.
2. Gunakan mesin listrik hanya dengan paket baterai yang telah ditentukan secara khusus. Penggunaan paket baterai lain dapat menimbulkan risiko cedera dan kebakaran.
3. Ketika paket baterai tidak digunakan, jauhkan dari benda logam lain, seperti penjepit kertas, uang logam, kunci, paku, sekrup atau benda logam kecil lainnya, yang dapat menghubungkan satu terminal ke terminal lain. Hubungan singkat terminal baterai dapat menyebabkan luka bakar atau kebakaran.

4. Pemakaian yang salah, dapat menyebabkan keluarnya cairan dari baterai; hindari kontak. Jika terjadi kontak secara tidak sengaja, bilas dengan air. Jika cairan mengenai mata, cari bantuan medis. Cairan yang keluar dari baterai bisa menyebabkan iritasi atau luka bakar.
5. Jangan menggunakan paket baterai atau mesin yang sudah rusak atau telah diubah. Baterai yang rusak atau telah diubah dapat menyebabkan hal-hal yang tidak dapat diprediksi yang dapat menyebabkan kebakaran, ledakan atau risiko cedera.
6. Jangan membiarkan paket baterai atau mesin dekat dengan api atau suhu yang berlebihan. Paparan api atau suhu di atas 130 °C dapat menyebabkan ledakan.
7. Ikuti semua petunjuk pengisian daya dan jangan mengisi daya paket baterai atau mesin di luar rentang suhu yang ditentukan di panduan. Mengisi daya secara tidak tepat atau pada suhu di luar rentang yang ditentukan dapat merusak baterai dan meningkatkan risiko kebakaran.

Keselamatan listrik dan baterai

1. Jangan buang baterai ke nyala api. Sel baterai dapat meledak. Periksa kode setempat untuk petunjuk pembuangan khusus yang memungkinkan.
2. Jangan buka atau bongkar baterai. Elektrolit yang terlepas bersifat korosif dan dapat melukai mata atau kulit. Zat tersebut dapat beracun jika tertelan.
3. Jangan buka atau bongkar baterai saat hujan, atau di lokasi yang basah.
4. Jangan mengisi daya baterai di luar ruangan.
5. Jangan memegang pengisi daya, termasuk steker pengisi daya, dan terminal pengisi daya dengan tangan basah.
6. Jangan ganti baterai dalam kondisi hujan.
7. Jangan biarkan terminal baterai terkena basah seperti air, atau baterai terendam. Jangan tinggalkan baterai saat hujan, atau mengisi dayanya, menggunakan, atau menyimpan baterai di tempat yang lembap atau basah. Jika terminal basah atau cairan masuk ke dalam baterai, mungkin dapat terjadi hubung singkat dan terdapat risiko kelebihan panas, terbakar, atau meledak.
8. Setelah melepas baterai dari mesin atau pengisi daya, pastikan Anda memasang penutup ke baterai dan simpan di tempat kering.
9. Jangan ganti baterai dengan tangan basah.
10. Hindari lingkungan yang berbahaya. Jangan gunakan mesin di lokasi yang lembap dan basah, atau membiarkannya terkena hujan. Air yang masuk ke dalam mesin akan meningkatkan risiko sengatan listrik.
11. Jika kartrid baterai basah, keringkan air di dalamnya kemudian usap dengan kain kering. Biarkan kartrid baterai benar-benar kering di tempat kering sebelum digunakan.

Servis

1. Berikan mesin listrik untuk diperbaiki hanya kepada oleh teknisi yang berkualifikasi dengan menggunakan hanya suku cadang pengganti yang serupa. Hal ini akan menjamin terjaganya keamanan mesin listrik.
2. Jangan pernah memperbaiki paket baterai yang sudah rusak. Perbaikan paket baterai harus dilakukan hanya oleh produsen atau penyedia servis resmi.

SIMPAN PETUNJUK INI.

⚠️PERINGATAN: JANGAN biarkan kenyamanan atau terbiasanya Anda dengan produk (karena penggunaan berulang) mengurangi kepatuhan yang ketat terhadap aturan keselamatan untuk produk yang terkait.

PENYALAHGUNAAN atau kelalaian mematuhi kaidah keselamatan yang tertera dalam petunjuk ini dapat menyebabkan cedera badan serius.

Petunjuk keselamatan penting untuk kartrid baterai

1. Sebelum menggunakan kartrid baterai, bacalah semua petunjuk dan penandaan pada (1) pengisi daya baterai, (2) baterai, dan (3) produk yang menggunakan baterai.
2. Jangan membongkar atau memodifikasi kartrid baterai. Tindakan tersebut dapat menimbulkan api, panas berlebih, atau ledakan.
3. Jika waktu beroperasinya menjadi sangat singkat, segera hentikan penggunaan. Hal tersebut dapat menimbulkan risiko panas berlebih, kemungkinan mengalami luka bakar atau bahkan terjadi ledakan.
4. Jika elektrolit mengenai mata Anda, basuh dengan air bersih dan segera cari pertolongan medis. Hal tersebut dapat mengakibatkan hilangnya kemampuan penglihatan Anda.
5. Jangan menghubungkan terminal kartrid baterai:
 - (1) Jangan menyentuh terminal dengan bahan penghantar listrik apa pun.
 - (2) Hindari menyimpan kartrid baterai pada wadah yang berisi benda logam lain seperti paku, uang logam, dsb.
 - (3) Jangan membiarkan baterai terkena air atau kehujanan.Hubungan singkat baterai dapat menyebabkan aliran arus listrik yang besar, panas berlebih, kemungkinan mengalami luka bakar dan bahkan kerusakan pada baterai.
6. Jangan menyimpan dan menggunakan mesin dan kartrid baterai pada lokasi dengan suhu yang bisa mencapai atau melebihi 50 °C (122 °F).
7. Jangan membuang kartrid baterai di tempat pembakaran sampah walaupun benar-benar rusak atau tidak bisa digunakan sama sekali. Kartrid baterai bisa meledak jika terbakar.
8. Jangan memaku, memotong, menghancurkan, melempar, menjatuhkan kartrid baterai, atau memukulkan benda keras ke kartrid baterai. Tindakan tersebut dapat menimbulkan api, panas berlebih, atau ledakan.
9. Jangan menggunakan baterai yang rusak.
10. **Baterai litium-ion yang disertakan sesuai dengan persyaratan Perundangan Makanan Berbahaya.** Harus ada pengawasan untuk pengangkutan komersial misalnya oleh pihak ketiga, ekspeditor, persyaratan khusus terhadap pengemasan dan pelabelan. Diperlukan adanya konsultasi dengan ahli mengenai material berbahaya untuk persiapan barang yang akan dikirimkan. Perhatikan pula peraturan nasional yang lebih terperinci yang mungkin ada. Beri perekat atau tutupi bagian yang terbuka dan kemasi baterai dengan cara yang tidak akan menimbulkan pergeseran dalam pengemasan.
11. Ketika membuang kartrid baterai, lepaskan dari mesin dan buang ke tempat yang aman. Patuhi peraturan setempat yang berkaitan dengan pembuangan baterai.
12. Gunakan baterai hanya dengan produk yang ditentukan oleh Makita. Memasang baterai pada produk yang tidak sesuai dapat menyebabkan kebakaran, kelebihan panas, ledakan, atau kebocoran elektrolit.
13. Jika mesin tidak digunakan dalam jangka waktu yang lama, baterai harus dilepas dari mesin.
14. Selama dan setelah digunakan, kartrid baterai mungkin menyimpan panas yang dapat menyebabkan luka bakar atau luka bakar suhu rendah. Perhatikan cara memegang kartrid baterai yang masih panas.
15. Jangan langsung menyentuh terminal mesin setelah digunakan karena suhunya mungkin cukup panas untuk menyebabkan luka bakar.
16. Jangan biarkan serpihan, debu, atau tanah menempel di terminal, lubang, dan alur kartrid baterai. Hal tersebut dapat menyebabkan pemanasan, kebakaran, ledakan, dan kegagalan fungsi mesin atau kartrid baterai, yang mengakibatkan luka bakar atau cedera diri.
17. Kecuali jika mesin mendukung penggunaan di dekat saluran listrik bertegangan tinggi, jangan gunakan kartrid baterai di dekat saluran listrik bertegangan tinggi. Hal tersebut dapat mengakibatkan kegagalan fungsi atau kerusakan mesin maupun kartrid baterai.
18. Jauhkan baterai dari jangkauan anak-anak.

SIMPAN PETUNJUK INI.

⚠️PERHATIAN: Gunakan baterai asli Makita. Penggunaan baterai Makita yang tidak asli, atau baterai yang sudah diubah, akan mengakibatkan baterai mudah terbakar, cedera dan kerusakan. Akan menghilangkan garansi Makita pada pengisi daya dan alat Makita.

Tip untuk menjaga agar umur pemakaian baterai maksimum

1. Isi ulang kartrid baterai sebelum habis sama sekali. Selalu hentikan penggunaan mesin dan ganti kartrid baterai jika Anda melihat bahwa mesin kurang tenaga.
2. Jangan pernah mengisi ulang kartrid baterai yang sudah diisi penuh. Pengisian ulang yang berlebih memperpendek umur pemakaian baterai.
3. Isi ulang kartrid baterai pada suhu ruangan 10 °C - 40 °C. Biarkan kartrid baterai yang panas menjadi dingin terlebih dahulu sebelum diisi ulang.
4. Saat kartrid baterai tidak digunakan, lepaskan dari mesin atau pengisi daya.
5. Isi ulang daya kartrid baterai jika Anda tidak menggunakannya untuk jangka waktu yang lama (lebih dari enam bulan).

PERAKITAN

⚠️PERINGATAN: Selalu pastikan bahwa kartrid baterai telah dilepas sebelum melakukan pekerjaan apa pun pada mesin. Kelalaian dalam melepaskan kartrid baterai dapat mengakibatkan cedera badan yang serius akibat penyalaaan yang tidak disengaja.

⚠️PERINGATAN: Jangan nyalakan pemotong kecuali rangkaiannya telah terpasang sepenuhnya. Mesin yang dioperasikan dalam kondisi hanya terangkai sebagian dapat mengakibatkan cedera badan yang serius akibat penyalaaan yang tidak disengaja.

Memasang pegangan

PEMBERITAHUAN: Saat memasang pegangan, berhati-hatilah agar kabel tidak terjepit di antara pegangan. Jika kabel rusak, sakelar pemotong mungkin tidak berfungsi.

1. Sejajarkan lubang di pegangan bagian bawah dengan lubang di pegangan bagian atas, kemudian masukkan baut dari luar, dan kemudian kencangkan mur sayap dari dalam. Lakukan prosedur yang sama pada sisi lain.
▶ **Gbr.1:** 1. Baut 2. Mur sayap 3. Pegangan bagian bawah 4. Pegangan bagian atas
2. Putar kenop 90° sambil menarik kenop pada pegangan bawah untuk melepaskan pin pengunci. Lakukan prosedur yang sama pada sisi lain. Angkat pegangan, dan kemudian putar kenop pada kedua sisi 90°. Pastikan kenop terpasang dengan benar.
▶ **Gbr.2:** 1. Kenop

CATATAN: Mendukung pegangan membuatnya lebih mudah untuk melepaskan pin pengunci saat menarik kenop.

CATATAN: Saat memutar kenop berhati-hatilah agar kabel tidak tersangkut pada kenop.

- ▶ **Gbr.3:** 1. Kenop

Melepaskan steker mulsa

1. Buka tutup belakang.
▶ **Gbr.4:** 1. Tutup belakang
2. Angkat sedikit steker mulsa, dan kemudian lepaskan.
▶ **Gbr.5:** 1. Steker mulsa

Merakit keranjang rumput

1. Ambil klip atas keranjang rumput.
▶ **Gbr.6:** 1. Klip atas
2. Masukkan rangka ke dalam keranjang rumput sejauh mungkin sembari memegang pegangan rangka.
▶ **Gbr.7:** 1. Pegangan

PEMBERITAHUAN: Jangan memasukkan pegangan ke dalam keranjang rumput. Pastikan rangka dimasukkan di sepanjang jahitan keranjang rumput.

3. Pastikan tidak ada bagian yang kendur di sudut-sudut keranjang rumput.
▶ **Gbr.8**
4. Buka klip atas, lalu pasang pada rangka.
▶ **Gbr.9**
5. Pasang semua klip yang lain seperti ditunjukkan pada gambar. Pastikan semua klip terpasang kencang ke rangka.
▶ **Gbr.10:** 1. Klip

Memasang atau melepas keranjang rumput

Untuk memasang keranjang rumput, ikuti langkah berikut.

1. Buka tutup belakang.
▶ **Gbr.11:** 1. Tutup belakang
2. Tahan pegangan keranjang rumput, dan kemudian kaitkan keranjang rumput pada batang di badan pemotong sebagaimana ditunjukkan dalam gambar.
▶ **Gbr.12:** 1. Keranjang rumput 2. Pegangan 3. Batang

Untuk melepaskan keranjang rumput, buka penutup belakang, dan kemudian lepaskan keranjang rumput dengan menggesekkan pegangannya.

Memasang steker mulsa

1. Buka tutup belakang dan lepaskan keranjang rumput.
▶ **Gbr.13:** 1. Tutup belakang 2. Keranjang rumput
2. Pasang steker mulsa dengan mendorongnya sejauh mungkin sehingga tonjolan pada steker mulsa masuk ke dalam lubang pada mesin.
▶ **Gbr.14:** 1. Steker mulsa 2. Tonjolan

Memasang atau melepas saluran pembuangan

Untuk memasang saluran pembuangan, ikuti langkah berikut.

1. Buka penutup belakang, dan kemudian lepaskan keranjang rumput dan steker mulsa.

2. Kaitkan lubang pada saluran pembuangan ke tonjolan pada badan pemotong seperti yang ditunjukkan pada gambar.

► **Gbr.15:** 1. Saluran pembuangan 2. Tonjolan

Untuk melepaskan saluran pembuangan, buka penutup belakang, lalu lepaskan saluran pembuangan.

DESKRIPSI FUNGSI

Memasang atau melepas baterai

⚠PERHATIAN: Selalu matikan mesin sebelum memasang atau melepas kartrid baterai.

⚠PERHATIAN: Pegang mesin dan kartrid baterai dengan kuat saat memasang atau melepas kartrid baterai. Apabila mesin dan kartrid baterai tidak dipegang dengan kuat, mesin dapat terlepas dari tangan Anda dan mengakibatkan kerusakan pada kartrid baterai dan serta menyebabkan cedera badan.

⚠PERHATIAN: Pastikan Anda telah mengunci penutup baterai sebelum menggunakan mesin.

Jika tidak, kartrid baterai mungkin saja rusak akibat lumpur, kotoran, atau air.

⚠PERHATIAN: Jangan memasang kartrid baterai secara paksa. Jika kartrid tidak dapat didorong masuk dengan mudah, berarti cara pemasangannya salah.

⚠PERHATIAN: Pegang penutup baterai dengan kuat saat memasang atau melepas kartrid baterai.

Untuk memasang kartrid baterai;

1. Tarik tuas pengunci, kemudian buka penutup baterai.

► **Gbr.16:** 1. Kotak baterai 2. Tuas pengunci

2. Pegang kartrid baterai pada posisi tegak dengan lampu indikator menghadap ke depan. Masukkan kartrid baterai ke dalam mesin hingga terkunci dengan tuas pengunci baterai.

► **Gbr.17:** 1. Lampu indikator 2. Tuas kunci baterai

CATATAN: Mendorong baterai secara vertikal dari atas membuat mesin lebih sulit bergerak dan memudahkan pemasangan baterai.

► **Gbr.18**

3. Tutuplah kotak baterai dan dorong hingga terkunci oleh tuas pengunci.

Untuk melepas kartrid baterai;

1. Tarik tuas pengunci dan buka penutup baterai.

2. Dorong tuas pengunci baterai, dan kemudian tarik keluar kartrid baterai dari mesin.

► **Gbr.19:** 1. Tuas kunci baterai 2. Kartrid baterai

3. Tutup kotak baterai.

Sistem perlindungan mesin / baterai

Mesin ini dilengkapi dengan sistem perlindungan mesin/baterai. Sistem ini memutus aliran daya ke motor secara otomatis untuk memperpanjang umur pakai mesin dan baterai. Mesin akan berhenti secara otomatis saat dioperasikan jika mesin atau baterai mengalami salah satu dari kondisi-kondisi berikut ini:

Perlindungan kelebihan beban

Jika mesin atau baterai digunakan dengan cara yang menjadikan baterai mengeluarkan arus tinggi yang berlebihan, mesin akan berhenti secara otomatis dan lampu daya utama berkedip hijau. Dalam situasi ini, matikan mesin dan hentikan pekerjaan yang menyebabkan peralatan mengalami kelebihan beban. Kemudian, nyalakan mesin untuk kembali melanjutkan pekerjaan.

Perlindungan panas berlebih

Jika mesin atau kartrid baterai terlalu panas, mesin akan berhenti secara otomatis. Saat mesin mengalami kelebihan panas, lampu daya utama akan menyala merah. Saat kartrid baterai mengalami kelebihan panas, lampu daya utama akan berkedip merah. Biarkan mesin dan/atau baterai menjadi dingin sebelum mesin dinyalakan kembali.

Perlindungan pengisian daya berlebih

Apabila kapasitas baterai tidak mencukupi, mesin akan berhenti secara otomatis dan lampu daya utama akan berkedip merah.

Jika terjadi, lepaskan baterai dari mesin dan isi kartrid baterai atau ganti kartrid baterai dengan yang terisi penuh.

Perlindungan terhadap penyebab lain

Sistem perlindungan juga dirancang untuk penyebab lain yang dapat merusak mesin dan memungkinkan mesin untuk berhenti secara otomatis. Lakukan semua langkah berikut ini untuk mengatasi penyebabnya, saat mesin dihentikan sementara atau berhenti beroperasi.

1. Matikan mesin, dan kemudian hidupkan kembali untuk memulai ulang.
2. Isi baterai atau ganti dengan baterai yang sudah diisi ulang.
3. Biarkan mesin dan baterai menjadi dingin.

Jika tidak ada peningkatan yang dapat ditemukan dengan memulihkan sistem perlindungan, hubungi Pusat Servis Makita setempat Anda.

PEMBERITAHUAN: Jika mesin berhenti karena penyebab yang tidak dijelaskan di atas, lihat bagian untuk pemecahan masalah.

Mengindikasikan kapasitas baterai yang tersisa

► Gbr.20: 1. Indikator baterai

Bila kapasitas baterai mulai lemah, indikator baterai akan berkedip di sisi baterai terkait. Bila terus digunakan, mesin akan berhenti dan indikator baterai akan menyala. Untuk situasi ini, lakukan pengisian daya kartrid baterai.

Mengindikasikan kapasitas baterai yang tersisa

Tekan tombol pemeriksaan pada kartrid baterai untuk melihat kapasitas baterai yang tersisa. Lampu indikator menyala selama beberapa detik.

► Gbr.21: 1. Lampu indikator 2. Tombol pemeriksaan

Lampu indikator			Kapasitas yang tersisa
Menyala	Mati	Berkedip	
■	□	◐	
■ ■ ■ ■			75% hingga 100%
■ ■ ■ □			50% hingga 75%
■ ■ □ □			25% hingga 50%
■ □ □ □			0% hingga 25%
◐ □ □ □			Isi ulang baterai.
■ ■ □ □			Baterai mungkin sudah rusak.
□ □ ■ ■			

CATATAN: Tergantung kondisi penggunaan dan suhu lingkungannya, penunjukkan mungkin saja sedikit berbeda dari kapasitas sebenarnya.

CATATAN: Lampu indikator pertama (ujung kiri) akan berkedip ketika sistem perlindungan mesin bekerja.

Panel kontrol

Panel kontrol dilengkapi dengan sakelar daya utama dan tombol pengalih mode.

- Gbr.22: 1. Lampu mode tanpa beban ringan
2. Lampu mode pengurangan bising
3. Tombol pengubah mode 4. Lampu daya utama 5. Sakelar daya utama

Sakelar daya utama

⚠PERINGATAN: Selalu matikan sakelar daya utama saat tidak digunakan.

Untuk menyalakan mesin, tekan sakelar daya utama. Lampu daya utama menyala hijau. Untuk mematikan mesin, tekan sakelar daya utama lagi.

CATATAN: Jika lampu daya utama menyala merah atau berkedip merah atau hijau, baca instruksi untuk sistem perlindungan mesin/baterai.

CATATAN: Mesin ini menggunakan fungsi pemutus daya otomatis. Untuk menghindari penyalaan yang tidak disengaja, sakelar daya utama akan secara otomatis mati ketika tuas sakelar dan tuas penggerak (jika ada) tidak ditarik selama beberapa saat setelah sakelar daya utama dinyalakan.

Tombol pengubah mode

Anda dapat mengubah mode pengoperasian dengan menekan tombol pengubah mode. Ketika mesin dinyalakan, mesin bekerja dalam mode normal. Lihat tabel di bawah untuk setiap mode.

Mode	Lampu	Deskripsi
Mode normal	Baik lampu mode tanpa beban ringan maupun lampu mode pengurangan bising mati.	Mesin bekerja dalam mode normal.
Mode tanpa beban ringan	Lampu mode tanpa beban ringan menyala hijau.	Anda dapat meminimalkan kejutan awal dan memulai mesin dengan lancar.
Mode pengurangan bising	Lampu mode pengurangan bising menyala hijau.	Anda dapat mengurangi kebisingan saat memotong.

Kerja sakelar

⚠PERINGATAN: Sebelum memasang kartrid baterai, selalu pastikan bahwa tuas sakelar bergerak sebagaimana mestinya dan kembali ke posisi awalnya saat dilepaskan. Penggunaan mesin dengan sakelar yang tidak berfungsi dengan baik dapat menyebabkan kehilangan kontrol dan cedera pribadi yang serius.

CATATAN: Pemotong tidak dapat dioperasikan jika tombol sakelarnya tidak ditekan, bahkan walaupun tuas sakelarnya telah ditarik.

CATATAN: Saat memotong rumput panjang atau rapat, pemotong mungkin tidak dapat dioperasikan karena kelebihan beban. Jika demikian, naikkan ketinggian pemotongan.

Mesin ini dilengkapi dengan tombol sakelarnya. Jika Anda merasa ada yang tidak biasa pada tombol sakelar, segera hentikan pengoperasian dan mintalah agar sakelar tersebut diperiksa oleh Pusat Servis Resmi Makita terdekat.

1. Pasang kartrid baterai, dan kemudian tutup penutup baterai.
2. Tekan sakelar daya utama.

CATATAN: Lampu daya utama berkedip hijau jika Anda menekan sakelar daya utama sambil menarik tuas sakelar. Lepaskan tuas sakelar sebelum menekan sakelar daya utama.

3. Tarik tuas sakelar ke arah Anda sambil menahan tombol sakelar. Lepaskan tombol sakelar saat motor mulai berjalan.

► **Gbr.23:** 1. Tombol sakelar 2. Tuas sakelar

4. Sambil menahan tuas sakelar, tekan tuas penggerak ke depan dan tahan untuk menggerakkan roda belakang.

► **Gbr.24:** 1. Tuas penggerak

CATATAN: Anda dapat menggerakkan roda belakang dengan mendorong tuas penggerak ke depan dan menahannya tanpa menarik tuas sakelar.

5. Lepaskan tuas penggerak dan tuas sakelar untuk menghentikan mesin.

Menyesuaikan ketinggian pemotongan

⚠PERINGATAN: Jangan letakkan kaki atau tangan Anda di bawah badan pemotong saat menyesuaikan ketinggian pemotongan.

⚠PERINGATAN: Selalu pastikan bahwa tuas sudah terpasang aman dalam lubang sebelum mulai mengoperasikan pemotong.

Ketinggian pemotongan dapat disesuaikan antara 20 mm dan 100 mm.

Matikan mesin, lalu tarik tuas pengatur ketinggian pemotongan ke arah luar bodi pemotong dan gerakan sesuai ketinggian pemotongan yang Anda inginkan.

► **Gbr.25:** 1. Tuas pengatur ketinggian pemotongan

Tabel di bawah ini menunjukkan hubungan antara angka pada bodi mesin pemotong dan perkiraan tinggi pemotongan.

Angka	Tinggi pemotongan
1	20 mm
2	26 mm
3	32 mm
4	39 mm
5	47 mm
6	55 mm
7	63 mm
8	74 mm
9	86 mm
10	100 mm

Pegang pegangan bawah dengan satu tangan, dan kemudian pindahkan tuas pengatur ketinggian pemotongan dengan tangan lainnya.

► **Gbr.26:** 1. Tuas pengatur ketinggian pemotongan
2. Pegangan bagian bawah

CATATAN: Gambar ketinggian pemotongan harus digunakan sebagai panduan saja. Tergantung pada kondisi rumput atau tanah, ketinggian rumput yang sebenarnya mungkin saja sedikit berbeda dari ketinggian yang disetel.

CATATAN: Lakukan percobaan dengan memotong rumput di tempat yang aman untuk menentukan ketinggian yang sesuai.

Indikator level rumput

Indikator level rumput menunjukkan volume rumput yang dipotong. Saat keranjang rumput tidak penuh, indikator akan mengambang saat mata pisau masih berjalan.

► **Gbr.27:** 1. Indikator level rumput

Saat keranjang rumput hampir penuh, indikator tidak mengambang saat mata pisau masih berjalan. Jika demikian, segera hentikan pengoperasian dan kosongkan keranjang.

► **Gbr.28:** 1. Indikator level rumput

CATATAN: Indikator ini merupakan panduan kasar. Tergantung pada kondisi dalam keranjang, indikator ini mungkin tidak bekerja secara tepat.

Menyetel tinggi pegangan

Tinggi pegangan dapat disetel dalam dua tingkat.

1. Tahan pegangan bawah, dan kemudian putar kenop 90° sambil menarik kenop pada pegangan bawah untuk melepaskan pin pengunci. Lakukan prosedur yang sama pada sisi lain.

► **Gbr.29:** 1. Pegangan bagian bawah 2. Kenop

CATATAN: Mendukung pegangan membuatnya lebih mudah untuk melepaskan pin pengunci saat menarik kenop.

2. Setel tinggi pegangan, lalu putar kenop pada kedua sisi 90°. Pastikan kenop terpasang dengan benar.

► **Gbr.30:** 1. Kenop

Menyetel kecepatan pergerakan

► **Gbr.31:** 1. Tuas kecepatan

Kecepatan pergerakan dapat disetel dengan tuas kecepatan. Untuk mengurangi kecepatan, tarik tuas ke arah Anda, dan untuk meningkatkan kecepatan, putar tuas ke depan.

Menggunakan steker mulsa

Steker mulsa memungkinkan Anda mengembalikan potongan rumput ke tanah tanpa menampungnya dalam keranjang rumput. Saat Anda mengoperasikan mesin dengan perangkat steker mulsa, pastikan untuk melepas keranjang rumput atau saluran pembuangan.

PEMBERITAHUAN: Saat menggunakan mesin dengan steker mulsa, pastikan panjang total rumput setelah pemotongan 30 mm atau lebih, dan panjang potongannya 15 mm atau kurang.

► **Gbr.32:** (1) 30 mm atau lebih (2) 15 mm atau kurang

Menggunakan saluran pembuangan

Saluran pembuangan memungkinkan Anda membuang potongan rumput ke tanah dari sisi kanan mesin tanpa menampungnya dalam keranjang rumput. Saat Anda mengoperasikan mesin dengan saluran pembuangan, pastikan untuk melepas keranjang rumput dan sumbat mulsa.

Menggunakan pembuangan belakang

Menggunakan pembuangan belakang memungkinkan Anda membuang potongan rumput ke tanah dari sisi belakang mesin tanpa menampungnya dalam keranjang rumput.

Saat Anda mengoperasikan mesin menggunakan pelepasan belakang, pastikan untuk melepas sumbat mulsa, dan keranjang rumput atau saluran pembuangan, lalu rapatkan penutup belakang.

Fungsi elektronik

Mesin ini dilengkapi dengan fungsi elektronik untuk pengoperasian yang mudah.

- Awalan yang lembut saat penggerakan Fungsi awal soft-start adalah untuk meminimalkan kejutan awal, dan membuat mesin berjalan lancar.
- Rem elektrik Mesin ini dilengkapi dengan rem elektrik. Jika mesin secara konsisten gagal untuk melakukan pemberhentian cepat pemotong rumput setelah melepaskan tuas sakelar, perbaiki mesin di Pusat Servis Resmi Makita.

PENGGUNAAN

Pemotongan

⚠️ PERINGATAN: Sebelum memotong, bersihkan semua batang dan batu dari area pemotongan. Selain itu, bersihkan terlebih dahulu semua semak dari area pemotongan.

⚠️ PERINGATAN: Selalu kenakan kaca mata pelindung atau kaca mata pengaman dengan pelindung samping saat mengoperasikan pemotong.

⚠️ PERHATIAN: Jika rumput yang terpotong atau benda asing menyumbat bagian dalam bodi pemotong, pastikan Anda melepas kartrid baterai serta mengenakan sarung tangan sebelum membersihkan rumput atau benda asing tersebut.

PEMBERITAHUAN: Gunakan mesin hanya untuk memotong rumput. Jangan memotong semak-semak dengan mesin ini.

► Gbr.33

Saat memotong, genggam pegangan kencang-kencang dengan kedua tangan Anda. Panduan kecepatan pemotongan adalah sekitar 7 sampai 14 meter per 10 detik.

► Gbr.34

CATATAN: Saat memotong rumput yang tinggi atau rumput yang lebat, jika ketidakrataan panjang rumput atau hasil akhir yang buruk ditemukan setelah pemotongan, atau penurunan kecepatan motor ditemukan selama pemotongan, kurangi kecepatan pemotongan lebih rendah dari yang disarankan dalam buku panduan ini, atau naikkan tinggi pemotongan.

Garis tengah masing-masing roda depan adalah pemandu untuk lebar pemotongan. Dengan mengacu pada kedua garis tengah tersebut, potong rumput secara berlajur. Potong lajur berikutnya dengan menimpa setengah hingga sepertiga bagian dari lebar lajur potongan sebelumnya, agar rumput terpotong secara merata.

► Gbr.35: 1. Lebar pemotong 2. Bagian yang ditimpa 3. Garis tengah

Ganti arah pemotongan tiap lajur untuk mencegah pola helai rumput terbentuk hanya ke satu arah.

► Gbr.36

Periksa isi keranjang rumput secara rutin. Buang potongan rumput sebelum keranjang penuh. Sebelum pemeriksaan rutin, pastikan Anda telah menghentikan dan mematikan mesin.

PEMBERITAHUAN: Pengoperasian pemotong dengan keranjang rumput dalam kondisi penuh akan menghambat laju putaran pisau dan mengakibatkan beban lebih besar pada motor, yang dapat menyebabkan mesin macet.

Memotong rumput yang tinggi

Jangan mencoba memotong rumput yang tinggi sekaligus. Sebaliknya, potong rumput secara bertahap. Beri jeda satu atau dua hari antar pemotongan hingga rumput terpotong pendek secara merata.

► Gbr.37

CATATAN: Memotong rumput yang tinggi sekaligus menjadi pendek dapat mengakibatkan rumput mati. Potongan rumput juga mungkin menggumpal di dalam bodi pemotong.

CATATAN: Jika ketidakrataan panjang rumput atau hasil akhir yang buruk ditemukan setelah pemotongan, atau penurunan kecepatan motor ditemukan selama pemotongan, kurangi kecepatan pemotongan, atau naikkan tinggi pemotongan.

Mengosongkan keranjang rumput

PERINGATAN: Untuk mengurangi risiko kecelakaan, periksalah keranjang rumput secara rutin untuk memastikan tidak ada kerusakan atau penurunan kekuatan. Ganti keranjang rumput jika perlu.

1. Lepaskan tuas sakelar dan tuas penggerak.
2. Matikan mesin.
3. Buka tutup belakang dan keluarkan keranjang rumput dengan menggenggam pegangannya.
▶ **Gbr.38:** 1. Tutup belakang 2. Pegangan 3. Keranjang rumput
4. Kosongkan keranjang rumput.

PERAWATAN

PERINGATAN: Selalu pastikan bahwa kartrid baterai dikeluarkan dari mesin sebelum menyimpan atau membawa mesin atau mencoba melakukan pemeriksaan atau perawatan.

PERINGATAN: Gunakan sarung tangan saat melakukan pemeriksaan atau pemeliharaan.

PERINGATAN: Selalu kenakan kaca mata pelindung atau kaca mata pengaman dengan pelindung samping saat melakukan pemeriksaan atau pemeliharaan.

PEMBERITAHUAN: Jangan sekali-kali menggunakan bensin, tiner, alkohol, atau bahan sejenisnya. Penggunaan bahan demikian dapat menyebabkan perubahan warna, perubahan bentuk atau timbulnya retakan.

Untuk menjaga KEAMANAN dan KEANDALAN mesin, perbaikan, perawatan atau penyetelan lainnya harus dilakukan oleh Pusat Layanan Resmi atau Pabrik Makita; selalu gunakan suku cadang pengganti buatan Makita.

PEMELIHARAAN

1. Lepaskan kartrid baterai, dan kemudian tutup penutup baterai.
2. Letakkan mesin pemotong rumput di sisinya. Bersihkan potongan rumput yang terkumpul pada bagian bawah dek mesin pemotong rumput.
3. Siramkan air ke arah belakang mesin tempat pisau terpasang.

PEMBERITAHUAN: Jangan cuci mesin dengan penyemprot bertekanan tinggi.

4. Periksa kekencangan semua mur, baut, sekrup, dll.
5. Periksa apakah ada bagian bergerak yang rusak, retak, atau aus. Bagian yang rusak atau hilang harus diperbaiki atau diganti.
6. Simpan pemotong di tempat yang aman jauh dari jangkauan anak-anak.

PEMBERITAHUAN: Jangan menuang air ke area yang ditunjukkan dalam gambar. Menuang air ke unit motor dapat menyebabkan kegagalan fungsi mesin.

- ▶ **Gbr.39:** 1. Area di mana air tidak boleh dituangkan

PEMBERITAHUAN: Jangan menuangkan air pada mesin saat mesin dalam posisi tegak lurus sebagaimana ditunjukkan dalam gambar. Jika mesin berada dalam posisi tegak lurus, air dapat mengalir ke unit motor, dan menyebabkan kegagalan fungsi mesin.

- ▶ **Gbr.40**

Membawa pemotong

PERHATIAN: Sebelum membawa mesin pemotong rumput, pastikan bahwa kartrid baterai telah dilepas.

Saat membawa mesin pemotong rumput, pegang pegangan belakang dan bagian penahan bawah di depan mesin dengan dua orang sebagaimana ditunjukkan dalam gambar.

- ▶ **Gbr.41:** 1. Bagian pegangan bawah 2. Gagang belakang

Penyimpanan

PERHATIAN: Saat meletakkan mesin pada posisi tegak lurus, letakkan mesin pada permukaan yang rata dan stabil. Jika mesin diletakkan pada permukaan yang tidak stabil, mesin dapat terjatuh dan menyebabkan cedera.

Simpan pemotong di tempat yang sejuk, kering dan terkunci. Jangan menyimpan pemotong dan kartrid baterai di tempat bersuhu 40 °C atau lebih.

1. Lepaskan kartrid baterai.
2. Putar kenop 90° sambil menarik kenop pada pegangan bawah untuk melepaskan pin pengunci. Lakukan prosedur yang sama pada sisi lain, dan kemudian lipat pegangan.

- ▶ **Gbr.42:** 1. Kenop

CATATAN: Mendukung pegangan membuatnya lebih mudah untuk melepaskan pin pengunci saat menarik kenop.

3. Putar kenop pada kedua sisi 90°. Pastikan kenop terpasang dengan benar.

- ▶ **Gbr.43:** 1. Kenop

PEMBERITAHUAN: Berhati-hatilah agar kabel tidak terjepit saat melipat pegangan.

4. Kendurkan mur sayap pada kedua sisi, dan kemudian lipat pegangan atas sebagaimana ditunjukkan dalam gambar.
- ▶ **Gbr.44:** 1. Mur sayap 2. Pegangan bagian atas
5. Tempatkan mesin dalam posisi tegak.

CATATAN: Saat meletakkan mesin pemotong rumput dalam posisi tegak, jangan pegang pegangannya saja, tetapi pegang bodi dan pegangan mesin pemotong rumput.

6. Simpan keranjang rumput sebagaimana ditunjukkan dalam gambar.

► **Gbr.45:** 1. Keranjang rumput

► **Gbr.46:** 1. Keranjang rumput

Melepas atau memasang pisau pemotong

⚠PERINGATAN: Pisau pemotong akan bergerak perlahan selama beberapa detik setelah sakelar dilepas. Jangan mengoperasikan apa pun hingga pisau pemotong benar-benar telah berhenti.

⚠PERINGATAN: Selalu lepaskan kartrid baterai saat melepas atau memasang mata pisau. Kelalaian dalam melepas kartrid baterai dapat mengakibatkan cedera berat.

⚠PERINGATAN: Selalu kenakan sarung tangan saat menangani pisau.

Melepaskan pisau pemotong

1. Letakkan pisau pemotong secara menyamping hingga tuas pengatur ketinggian pemotongan bergerak ke bagian atas.

2. Untuk mengunci mata pisau, masukkan pin ke dalam lubang pada bodi mesin pemotong rumput sejauh mungkin.

3. Putar baut berlawanan arah jarum jam dengan kunci pas 17.

► **Gbr.47:** 1. Pisau pemotong 2. Pin 3. Kunci busi

4. Lepaskan baut, dan kemudian pisau pemotong.

► **Gbr.48:** 1. Dukungan pisau 2. Pisau pemotong 3. Baut 4. Tonjolan

PEMBERITAHUAN: Saat memasang pisau pemotong, pastikan bahwa tonjolan pada penopang mata pisau pas dengan lubang di pisau pemotong.

Memasang pisau pemotong

⚠PERINGATAN: Pasang pisau pemotongan dengan hati-hati. Pisau ini memiliki sisi tajam atas/bawah.

⚠PERINGATAN: Kencangkan baut searah jarum jam untuk mengencangkan pisau.

⚠PERINGATAN: Pastikan pisau pemotongan dan semua komponen pemasangannya telah terpasang dan dikencangkan dengan benar.

⚠PERINGATAN: Saat mengganti pisau, selalu ikuti instruksi yang ada dalam buku petunjuk ini.

PEMBERITAHUAN: Setelah memasang pisau pemotong, lepaskan pin dari bodi pemotong.

Untuk memasang pisau pemotong, lakukan prosedur pelepasan dalam urutan terbalik.

PEMECAHAN MASALAH

Sebelum meminta perbaikan, lakukan pemeriksaan mandiri terlebih dahulu. Jika Anda menemukan masalah yang tidak dijelaskan dalam buku petunjuk ini, jangan coba membongkar rakitan mesin. Hubungi Pusat Servis Resmi Makita, dan selalu gunakan suku cadang pengganti Makita untuk perbaikan.

Kondisi Tidak Normal	Kemungkinan penyebab (kerusakan fungsi)	Perbaikan
Pemotong tidak menyala.	Kartrid baterai tidak terpasang.	Pasang kartrid baterai yang terisi daya.
	Masalah baterai (kekurangan tegangan)	Isi ulang daya kartrid baterai. Jika pengisian ulang daya tidak berhasil, gantilah kartrid baterai.
Motor berhenti setelah digunakan sebentar.	Daya baterai rendah.	Isi ulang daya kartrid baterai. Jika pengisian ulang daya tidak berhasil, gantilah kartrid baterai.
	Ketinggian pemotongan terlalu rendah.	Tingkatkan ketinggian pemotongan.
	Rumput yang sudah dipotong tersumbat dalam pemotong.	Buang rumput yang tersumbat dari pemotong.
Motor tidak mencapai RPM maksimum.	Kartrid baterai dipasang secara tidak tepat.	Pasang kartrid baterai sebagaimana diuraikan dalam buku petunjuk ini.
	Daya baterai menurun.	Isi ulang daya kartrid baterai. Jika pengisian ulang daya tidak berhasil, gantilah kartrid baterai.
	Sistem penggerak tidak bekerja secara benar.	Mintalah pusat servis resmi setempat untuk melakukan perbaikan.
Pisau pemotongan tidak berputar: ⇒ segera hentikan pemotong!	Objek asing seperti cabang terjepit di dekat pisau pemotong.	Singkirkan objek asing tersebut.
	Sistem penggerak tidak bekerja secara benar.	Mintalah pusat servis resmi setempat untuk melakukan perbaikan.
Getaran tidak normal: ⇒ segera hentikan pemotong!	Posisi pisau tidak seimbang, terlalu aus atau mengalami keausan tidak merata.	Ganti pisau.

AKSESORI PILIHAN

⚠ PERHATIAN: Dianjurkan untuk menggunakan aksesoris atau perangkat tambahan ini dengan mesin Makita Anda yang ditentukan dalam petunjuk ini. Penggunaan aksesoris atau perangkat tambahan lain bisa menyebabkan risiko cedera pada manusia. Hanya gunakan aksesoris atau perangkat tambahan yang sesuai dengan tujuan yang telah ditetapkan.

Jika Anda memerlukan bantuan lebih rinci berkenaan dengan aksesoris ini, tanyakan pada Pusat Layanan Makita terdekat.

- Pisau pemotong
- Baterai dan pengisi daya asli Makita

CATATAN: Beberapa item dalam daftar tersebut mungkin sudah termasuk dalam paket produk sebagai aksesoris standar. Kelengkapan mesin dapat berbeda di setiap negara.

SPEKIFIKASI

Model:		LM003J	LM004J
Lebar pemotong (diameter bilah)		480 mm	534 mm
Kelajuan tanpa beban	Mod biasa	3,200 min ⁻¹	2,800 min ⁻¹
	Mod tanpa beban lembut	2,500 - 3,200 min ⁻¹	2,300 - 2,800 min ⁻¹
	Mod pengurangan bunyi	2,500 min ⁻¹	2,300 min ⁻¹
Nombor bahagian penggantian bilah pemangkas	Bilah pemangkas lurus	191V97-3	191V96-5
	Bilah pemangkas lurus *1	-	191W87-2
	Bilah sungkup	191Y64-6	191Y65-4
Dimensi (P x L x T)	semasa operasi	P: 1,670 mm hingga 1,745 mm L: 550 mm T: 965 mm hingga 1,075 mm	P: 1,740 mm hingga 1,810 mm L: 595 mm T: 970 mm hingga 1,080 mm
	apabila disimpan (tanpa bakul rumput)	585 mm x 550 mm x 900 mm	580 mm x 595 mm x 930 mm
Kelajuan pergerakan		1.5 - 6.5 km/h	
Voltan terkadar		D.C. 57.6 V - 64 V maks	
Berat bersih		30.9 - 33.8 kg	31.5 - 34.6 kg
Tahap perlindungan		IPX4	

*1. Bilah pemangkas untuk pengumpulan rumput yang lebih cekap.

- Disebabkan program penyelidikan dan pembangunan kami yang berterusan, spesifikasi yang terkandung di dalam ini adalah tertakluk kepada perubahan tanpa notis.
- Spesifikasi mungkin berbeza mengikut negara.
- Berat mungkin berbeza bergantung kepada pemasangan, termasuk kartrij bateri. Kombinasi paling ringan dan paling berat, mengikut Prosedur EPTA 01/2014, ditunjukkan di dalam jadual.

Kartrij bateri dan pengecas yang boleh digunakan


Kartrij bateri	BL6440
Pengecas	DC64WA


- Sesetengah kartrij bateri dan pengecas yang disenaraikan di atas mungkin tidak tersedia bergantung pada kawasan kediaman anda.


⚠️ AMARAN: Hanya menggunakan kartrij bateri dan pengecas yang disenaraikan di atas. Penggunaan mana-mana kartrij bateri dan pengecas lain boleh menyebabkan kecederaan dan/atau kebakaran.


Simbol


Berikut menunjukkan simbol-simbol yang boleh digunakan untuk alat ini. Pastikan anda memahami maksudnya sebelum menggunakan.

 Jangan dedahkan kepada kelembapan.

 Sila gunakan dengan berhati-hati dan penuh perhatian.

 Baca manual arahan.

 Bahaya; berhati-hati dengan objek terbang.

 Jarak antara alat dan orang sekeliling mesti sekurang-kurangnya 15 m.



Jangan letakkan tangan dan kaki anda berdekatan bilah pemangkas di bawah pemangkas. Bilah pemangkas terus berputar selepas motor dimatikan.



Amaran; Cabut bateri sebelum penyelenggaraan.



Bahaya elektrik. Terkena air boleh menyebabkan kejutan elektrik.



Jangan tuangkan air.



Hanya untuk negara-negara EU
Disebabkan kehadiran komponen berbahaya dalam peralatan, sisa peralatan elektrik dan elektronik, akumulator dan bateri boleh memberi kesan negatif terhadap persekitaran dan kesihatan manusia.

Jangan buang alat elektrik dan elektronik atau bateri bersama dengan bahan buangan isi rumah!

Mengikut Arahan Eropah mengenai sisa peralatan elektrik dan elektronik dan mengenai akumulator dan bateri dan sisa akumulator dan bateri serta penyesuaian dengan undang-undang negara, sisa peralatan elektrik, bateri dan akumulator hendaklah disimpan secara berasingan dan dihantar ke tempat pengumpulan berasingan untuk sisa perbandaran, beroperasi mengikut peraturan perlindungan persekitaran. Ini ditunjukkan oleh simbol tong sampah beroda yang bersilang pada peralatan.



Aras kuasa bunyi terjamin menurut Arahan Redam Di Luar Kesatuan Eropah.



Aras kuasa bunyi menurut Peraturan Kawalan Redam NSW, Australia

Tujuan penggunaan

Mesin ini bertujuan untuk memangkas rumput.

AMARAN KESELAMATAN

Amaran keselamatan umum alat kuasa

AMARAN Baca semua amaran keselamatan, arahan, ilustrasi dan spesifikasi yang disediakan dengan alat kuasa ini. Kegagalan untuk mematuhi semua arahan yang disenaraikan di bawah boleh menyebabkan kejutan elektrik, kebakaran dan/atau kecederaan serius.

Simpan semua amaran dan arahan untuk rujukan masa depan.

Istilah "alat kuasa" dalam amaran merujuk kepada alat kuasa yang menggunakan tenaga elektrik (kabel) atau alat kuasa yang menggunakan bateri (tanpa kord).

Keselamatan kawasan kerja

1. **Pastikan kawasan kerja bersih dan terang.** Kawasan berselerak atau gelap mengundang kemalangan.
2. **Jangan kendalikan alat kuasa dalam keadaan yang mudah meletup, seperti dalam kehadiran cecair, gas atau habuk yang mudah terbakar.** Alat kuasa menghasilkan percikan api yang boleh menyalakan debu atau wasap.
3. **Jauhkan kanak-kanak dan orang ramai semasa mengendalikan alat kuasa.** Gangguan boleh menyebabkan anda hilang kawalan.

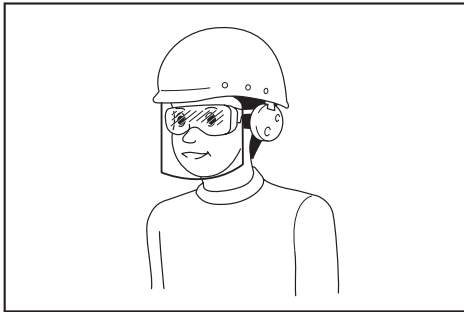
Keselamatan elektrik

1. **Palam alat kuasa mesti sepadan dengan soket. Jangan ubah suai palam dalam apa cara sekalipun. Jangan gunakan sebarang palam penyesuaian dengan alat kuasa terbumi.** Palam yang tidak diubah suai dan soket yang sepadan akan mengurangkan risiko kejutan elektrik.
2. **Elakkan sentuhan badan dengan permukaan terbumi, seperti paip, radiator, dapur dan peti sejuk.** Terdapat peningkatan risiko kejutan elektrik jika elektrik terbumi terkena badan anda.
3. **Jangan biarkan alat kuasa terkena hujan atau basah.** Air yang memasuki alat kuasa akan meningkatkan risiko kejutan elektrik.
4. **Jangan salah gunakan kord. Jangan gunakan kord untuk membawa, menarik atau mencabut palam alat kuasa. Jauhkan kord dari haba, minyak, bucu tajam atau bahagian yang bergerak.** Kord yang rosak atau tersimpul meningkatkan risiko kejutan elektrik.
5. **Semasa mengendalikan alat kuasa di luar, gunakan kord sambungan yang bersesuaian untuk kegunaan luar.** Penggunaan kord yang sesuai untuk kegunaan luar mengurangkan risiko kejutan elektrik.
6. **Sekiranya pengendalian alat kuasa di lokasi lembap tidak dapat dielakkan, gunakan bekalan peranti arus sisa (RCD) yang dilindungi.** Penggunaan RCD mengurangkan risiko kejutan elektrik.
7. **Alat kuasa boleh menghasilkan medan elektromagnetik (EMF) yang tidak berbahaya kepada pengguna.** Walau bagaimanapun, pengguna perentak jantung atau peranti perubatan yang serupa harus menghubungi pembuat peranti mereka dan/atau doktor untuk nasihat sebelum mengendalikan alat kuasa ini.

Keselamatan diri

1. **Sentiasa berwaspada, perhatikan apa yang anda lakukan dan guna akal budi semasa mengendalikan alat kuasa. Jangan gunakan alat kuasa semasa anda letih atau di bawah pengaruh dadah, alkohol atau ubat.** Kelekaan seketika semasa mengendalikan alat kuasa boleh menyebabkan kecederaan diri yang serius.
2. **Gunakan peralatan pelindung diri. Sentiasa pakai pelindung mata.** Peralatan pelindung seperti topeng debu, kasut keselamatan tak mudah tergelincir, topi keselamatan atau pelindung pendengaran yang digunakan untuk keadaan yang sesuai akan mengurangkan kecederaan diri.
3. **Elakkan permulaan yang tidak disengajakan. Pastikan suis ditutup sebelum menyambung kepada sumber kuasa dan/atau pek bateri, semasa mengangkat atau membawa alat.** Membawa alat kuasa dengan jari anda pada suis atau mentenagakan alat kuasa dengan suis pada kedudukan hidup mengundang kemalangan.
4. **Alihkan sebarang kunci atau sepana pelaras sebelum menghidupkan alat kuasa.** Sepana atau kunci yang ditinggalkan pada bahagian berputar alat kuasa boleh menyebabkan kecederaan diri.

5. **Jangan lampau jangkau. Jaga pijakan dan keseimbangan yang betul pada setiap masa.** Ini membolehkan kawalan alat kuasa yang lebih baik dalam situasi yang tidak dijangka.
6. **Berpakaian dengan betul. Jangan pakai pakaian yang longgar atau barang kemas. Jauhkan rambut dan pakaian anda dari bahagian yang bergerak.** Pakaian longgar, barang kemas atau rambut yang panjang boleh terperangkap dalam bahagian yang bergerak.
7. **Jika peranti disediakan untuk sambungan kemudahan pengekstrakan dan pengumpulan habuk, pastikan ia disambung dan digunakan dengan betul.** Penggunaan pengumpulan habuk boleh mengurangkan bahaya berkaitan habuk.
8. **Jangan biarkan kebiasaan daripada kekerapan penggunaan alat membuat anda berpuas hati dan mengabaikan prinsip keselamatan alat.** Kecuaian boleh menyebabkan kecederaan serius dalam sekelip mata.
9. **Sentiasa pakai gogal pelindung untuk melindungi mata anda daripada kecederaan apabila menggunakan alat kuasa. Gogal mestilah mematuhi ANSI Z87.1 di AS, EN 166 di Eropah, atau AS/NZS 1336 di Australia/New Zealand. Di Australia/New Zealand, undang-undang mengarahkan untuk memakai pelindung muka bagi melindungi muka anda, juga.**



Menjadi tanggungjawab majikan untuk menguatkuasa penggunaan peralatan perlindungan keselamatan yang bersesuaian oleh pengendali alat dan oleh orang lain dalam kawasan bekerja semasa.

Penggunaan dan penjagaan alat kuasa

1. **Jangan gunakan alat kuasa dengan kasar. Gunakan alat kuasa yang betul untuk penggunaan anda.** Alat kuasa yang betul akan melakukan tugas dengan lebih baik dan lebih selamat pada kadar mana ia direka cipta.
 2. **Jangan gunakan alat kuasa jika suis tidak berfungsi untuk menghidupkan dan mematikannya.** Alat kuasa yang tidak dapat dikawal dengan suis adalah berbahaya dan mesti dibaiki.
3. **Cabut palam dari sumber kuasa dan/atau keluarkan pek bateri, jika boleh ditanggalkan, dari alat kuasa sebelum membuat sebarang pelarasan, menukar aksesori, atau menyimpan alat kuasa.** Langkah-langkah keselamatan pencegahan sedemikian mengurangkan risiko memulakan alat kuasa secara tidak sengaja.
 4. **Simpan alat kuasa yang tidak digunakan jauh dari jangkauan kanak-kanak dan jangan biarkan orang yang tidak biasa dengan alat kuasa atau arahan ini untuk mengendalikan alat kuasa.** Alat kuasa adalah berbahaya di tangan pengguna yang tidak terlatih.
 5. **Menyelenggara alat kuasa dan aksesori. Periksa salah jajaran atau ikatan pada bahagian yang bergerak, bahagian yang pecah dan apa-apa keadaan lain yang boleh menjejaskan operasi alat kuasa. Jika rosak, baiki alat kuasa sebelum digunakan.** Kebanyakan kemalangan adalah disebabkan oleh alat kuasa yang tidak dijaga dengan baik.
 6. **Pastikan alat pemotong tajam dan bersih.** Alat pemotong yang dijaga dengan betul dengan hujung pemotong yang tajam mempunyai kemungkinan yang rendah untuk terikat dan lebih mudah dikendalikan.
 7. **Gunakan alat kuasa, aksesori dan alat bit dan sebagainya mengikut arahan ini dengan mengambil kira keadaan kerja dan kerja yang perlu dilakukan.** Penggunaan alat kuasa untuk operasi yang berbeza dari yang dimaksudkan boleh menyebabkan keadaan berbahaya.
 8. **Pastikan pemegang dan permukaan pegangan kering, bersih dan bebas dari minyak dan gris.** Pemegang dan permukaan pegangan yang licin tidak membolehkan pengendalian dan kawalan selamat bagi alat dalam situasi yang tidak dijangka.
 9. **Apabila menggunakan alat, jangan pakai sarung tangan kerja kain yang mungkin boleh kusut.** Kekusutan sarung tangan kerja kain pada bahagian yang bergerak boleh menyebabkan kecederaan diri.

Penggunaan dan penjagaan alat bateri

1. **Cas semula dengan pengecas yang ditentukan oleh pengeluar sahaja.** Pengecas yang sesuai untuk satu jenis pek bateri mungkin menimbulkan risiko kebakaran apabila digunakan dengan pek bateri lain.
2. **Gunakan alat kuasa dengan pek bateri yang ditentukan secara khusus sahaja.** Penggunaan mana-mana pek bateri lain mungkin menimbulkan risiko kecederaan dan kebakaran.
3. **Apabila pek bateri tidak digunakan, jauhkan daripada objek besi lain, seperti klip kertas, duit syiling, paku, skru atau objek besi kecil lain, yang boleh membuat sambungan dari satu terminal ke yang lain.** Memintam terminal bateri bersama-sama mungkin menyebabkan lecuran atau kebakaran.

4. **Di bawah keadaan kasar, cecair mungkin dikeluarkan daripada bateri; elakkan sentuhan. Jika tersentuh secara tidak sengaja, siram dengan air. Jika cecair terkena mata, dapatkan bantuan perubatan di samping siraman air.** Cecair yang dikeluarkan dari bateri mungkin menyebabkan kegatalan atau lecuran.
5. **Jangan gunakan pek bateri atau alat yang rosak atau diubah suai.** Bateri yang rosak atau diubah suai mungkin menunjukkan perilaku yang tidak dijangka menyebabkan kebakaran, letupan atau risiko kecederaan.
6. **Jangan dedahkan pek bateri atau alat kepada api atau suhu yang berlebihan.** Pendedahan kepada api atau suhu melebihi 130 °C mungkin menyebabkan letupan.
7. **Ikut semua arahan pengecasan dan jangan cas pek bateri atau alat di luar julat suhu yang ditetapkan dalam arahan.** Mengecas dengan tidak betul atau pada suhu di luar julat yang dinyatakan mungkin merosakkan bateri dan meningkatkan risiko kebakaran.
7. **Pastikan semua salur masuk udara sejuk bebas daripada serpihan.** Salur masuk udara yang tersumbat dan serpihan boleh menyebabkan pemanasan lampau atau risiko kebakaran.
8. **Semasa mengendalikan mesin rumput, sentiasa pakai kasut dengan tapak tidak gelincir dan perlindungan. Jangan kendalikan mesin rumput semasa berkaki ayam atau memakai sandal terbuka.** Tindakan ini mengurangkan kecederaan kepada kaki daripada sentuhan dengan bilah bergerak.
9. **Semasa mengendalikan mesin rumput, sentiasa pakai seluar panjang.** Kulit yang terdedah meningkatkan kebarangkalian kecederaan daripada objek yang tercampak.
10. **Jangan mengendalikan mesin rumput dalam rumput yang basah. Berjalan, jangan sekali-kali berlari.** Tindakan ini mengurangkan risiko tergelincir dan terjatuh yang boleh menyebabkan kecederaan diri.
11. **Jangan kendalikan mesin rumput secara berlebihan di cerun yang curam.** Tindakan ini mengurangkan risiko kehilangan kawalan, tergelincir dan terjatuh yang boleh menyebabkan kecederaan diri.

Servis

1. **Pastikan alat kuasa anda diservis oleh orang yang berkelayakan dengan hanya menggunakan alat ganti yang sama.** Ini akan memastikan keselamatan alat kuasa dapat dikekalkan.
2. **Jangan servis pek bateri yang telah rosak.** Servis pek bateri hanya boleh dilakukan oleh pengeluar atau penyedia servis yang sah.
3. **Ikut arahan untuk melincir dan menukar aksesori.**
12. **Apabila bekerja di cerun, sentiasa pastikan pijakan anda, sentiasa bekerja menghadap permukaan cerun, jangan ke atas atau ke bawah dan amalkan waspada semasa mengubah arah.** Tindakan ini mengurangkan risiko kehilangan kawalan, tergelincir dan terjatuh yang boleh menyebabkan kecederaan diri.
13. **Gunakan lebih pengawasan semasa menterbalikkan atau menarik mesin rumput ke arah anda. Sentiasa pastikan keadaan sekeliling anda.** Tindakan ini mengurangkan risiko terjatuh semasa pengendalian.

Amaran Keselamatan Pemangkas Laman Kordles

1. **Jangan gunakan mesin rumput dalam keadaan cuaca yang buruk terutamanya apabila terdapat risiko kilat.** Ini mengurangkan risiko disambar petir.
2. **Periksa kawasan secara menyeluruh daripada hidupan liar di tempat mesin rumput akan digunakan.** Hidupan liar mungkin tercedera disebabkan mesin rumput semasa penggunaan.
3. **Periksa kawasan secara menyeluruh kawasan tempat mesin rumput akan digunakan dan alihkan semua batu, ranting, dawai, tulang dan objek asing lain.** Buang objek yang boleh menyebabkan kecederaan diri.
4. **Sebelum menggunakan mesin rumput, sentiasa periksa secara visual untuk melihat jika bilah dan pemasangan bilah tidak lusuh atau rosak.** Bahagian yang lusuh atau rosak meningkatkan risiko kecederaan.
5. **Periksa penangkap rumput secara kerap untuk sebarang kehausan atau kecacatan.** Penangkap rumput yang lusuh atau rosak boleh meningkatkan risiko kecederaan diri.
6. **Pastikan pengadang dipasang. Pengadang mesti berada dalam keadaan berfungsi dan dipasang dengan betul.** Pengadang yang longgar, rosak atau tidak berfungsi dengan betul boleh menyebabkan kecederaan diri.
14. **Jangan sentuh bilah dan bahagian bergerak berbahaya lain semasa bahagian itu masih bergerak.** Tindakan ini mengurangkan risiko kecederaan daripada bahagian yang bergerak.
15. **Semasa membersihkan bahan yang tersangkut atau melakukan pembersihan pada mesin rumput, pastikan semua suis kuasa dimatikan dan pek bateri diputuskan sambungan.** Pengendalian tidak dijangka sengaja boleh mengakibatkan kecederaan diri yang serius.

SIMPAN ARAHAN INI.

⚠️AMARAN: JANGAN biarkan kelesaan atau kebiasaan dengan produk (daripada penggunaan berulang) menggantikan pematuhan ketat terhadap peraturan keselamatan untuk produk yang ditetapkan.

SALAH GUNA atau kegagalan mematuhi peraturan-peraturan keselamatan yang dinyatakan dalam manual arahan ini boleh menyebabkan kecederaan diri yang serius.

ARAHAN KESELAMATAN PENTING

⚠️ AMARAN: Baca semua amaran keselamatan dan semua arahan. Kegagalan mematuhi amaran dan arahan boleh menyebabkan kejutan elektrik, kebakaran dan/atau kecederaan serius.

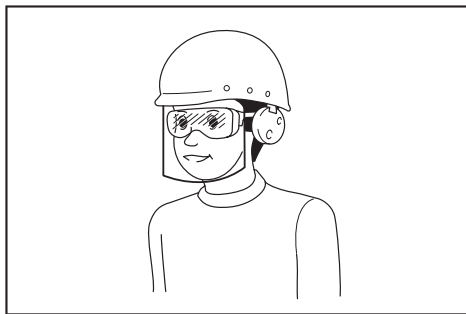
Simpan semua amaran dan arahan untuk rujukan masa depan.

Latihan

1. Baca arahan dengan teliti. Biasakan dengan kawalan dan penggunaan pemangkas yang betul.
2. Jangan sekali-kali benarkan kanak-kanak atau orang yang tidak biasa dengan arahan ini untuk menggunakan pemangkas. Peraturan keselamatan setempat boleh menyekat umur pengendali.
3. Jangan sekali-kali kendalikan pemangkas ketika orang, terutamanya kanak-kanak atau haiwan peliharaan berdekatan.
4. Ingat bahawa pengendali atau pengguna bertanggungjawab ke atas sebarang kemalangan atau bahaya yang berlaku kepada orang lain atau harta benda mereka.
5. Kanak-kanak harus diselia untuk memastikan mereka tidak bermain dengan pemangkas ini.
6. Keadaan fizikal - Jangan kendalikan pemangkas semasa di bawah pengaruh dadah, alkohol atau sebarang ubat.

Persediaan

1. Semasa mengendalikan pemangkas, sentiasa pakai kasut yang betul dan seluar panjang. Jangan kendalikan pemangkas semasa berkaki ayam atau memakai sandal terbuka. Elakkan memakai pakaian atau barang kemas yang longgar atau mempunyai tali atau ikatan yang tergantung. Ia boleh tersangkut pada bahagian yang sedang bergerak.
2. Sebelum guna, sentiasa memeriksa secara visual pemangkas untuk pengawal atau perisai yang rosak, hilang atau tersalah letak.
3. Pastikan tidak terdapat orang lain di kawasan sebelum memangkas. Hentikan pemangkas jika sesiapa sahaja memasuki kawasan.
4. Sentiasa pakai kaca mata pelindung untuk melindungi mata anda daripada kecederaan apabila menggunakan alat kuasa. Kaca mata mestilah mematuhi ANSI Z87.1 di AS, EN 166 di Eropah, atau AS/NZS 1336 di Australia/ New Zealand. Di Australia/New Zealand, undang-undang mengarahkan untuk memakai pelindung muka bagi melindungi muka anda, juga.



Menjadi tanggungjawab majikan untuk menguatkuasa penggunaan peralatan perlindungan keselamatan yang bersesuaian oleh pengendali alat dan oleh orang lain dalam kawasan bekerja semasa.

5. Periksa bilah atau bolt bilah dengan teliti untuk retak atau kerosakan sebelum operasi. Gantikan bilah yang retak atau rosak dengan segera.
6. Keluaran benda asing seperti batu, wayar, botol, tulang dan kayu besar dari kawasan kerja sebelum memangkas untuk mengelakkan kecederaan peribadi dan kerosakan pada pemangkas.
7. Objek yang tersangkut oleh bilah pemangkas boleh mengakibatkan kecederaan parah kepada seseorang. Laman harus sentiasa diperiksa dengan berhati-hati dan dibersihkan daripada semua objek bagi setiap kali pemangkasan.
8. Lihat lubang, bekas roda, bonggol, batu, atau objek tersembunyi yang lain. Kawasan tidak sekata boleh menyebabkan kecederaan tergelincir dan jatuh. Rumput yang tinggi boleh menyembunyikan halangan.
9. Gunakan peralatan pelindung diri. Sentiasa pakai pelindung mata. Peralatan pelindung seperti topeng debu, kasut keselamatan tak mudah tergelincir, topi keselamatan atau pelindung pendengaran yang digunakan untuk keadaan yang sesuai akan mengurangkan kecederaan diri.

Pengendalian

1. Jangan lampau jangkau. Jaga keseimbangan pada setiap masa. Sentiasa pastikan pijak anda pada cerun. Berjalan, jangan sekali-kali berlari.

2. Hentikan pemangkas dan matikan mesin dan pastikan semua bahagian yang bergerak telah berhenti sepenuhnya:
 - pada bila-bila masa anda meninggalkan pemangkas,
 - sebelum anda membersihkan sekatang atau membuang sumbatan pada pelongsor,
 - sebelum memeriksa, bersihkan atau bekerja dengan pemangkas,
 - selepas terkena objek asing. Periksa pemangkas sebarang kerosakan danbaiki sebelum memulakan semula dan mengendalikan pemangkas,
 - setiap kali pemangkas mula bergetar tidak seperti biasa.
3. Jangan sekali-kali mengendalikan pemangkas dengan pengadang atau pelindung yang telah rosak, atau tanpa alat keselamatan, sebagai contoh pemesong dan/atau pengumpul rumput di tempatnya.
4. Elakkan menggunakan pemangkas dalam keadaan cuaca yang buruk terutama apabila terdapat risiko kilat.
5. Pakai perlindungan mata dan kasut kuat pada setiap masa semasa mengendalikan mesin pemangkas.
6. Kendalikan pemangkas hanya pada siang hari atau dalam cahaya buatan yang baik.
7. Hidupkan pemangkas dengan berhati-hati mengikut arahan dan kaki berada jauh dari bilah.
8. Berwaspada terhadap kecederaan pada kaki dan tangan daripada bilah pemangkas.
9. Sentiasa pastikan yang bukaan pengudaraan bebas daripada habuk.
10. Pangkas merentasi muka cerun, jangan sekali-kali ke atas dan ke bawah. Amalkan lebih pengawasan semasa mengubah arah pada cerun. Jangan memangkas secara berlebihan pada cerun curam.
11. Gunakan lebih pengawasan semasa menterbalikkan atau menarik pemangkas ke arah anda.
12. Hentikan bilah jika pemangkas hendak dicondongkan untuk mengangkat apabila menyeberangi permukaan selain daripada rumput, dan apabila mengangkat pemangkas ke dan dari kawasan untuk digunakan.
13. Jangan condongkan pemangkas semasa menghidupkan motor, kecuali jika pemangkas hendak dicondongkan untuk hidup. Dalam keadaan ini, jangan sengetkan ia lebih daripada yang diperlukan dan angkat hanya bahagian yang jauh daripada pengendali. Sentiasa memastikan bahawa kedua-dua tangan berada dalam kedudukan pengendalian sebelum mengembalikan pemangkas ke tanah.
14. Jangan letakkan tangan atau kaki berdekatan atau di bawah bahagian berputar. Sentiasa pastikan bukaan buangan bersih setiap masa.
15. Jangan angkut pemangkas semasa pemangkas dihidupkan.
16. Elakkan mengendalikan pemangkas dalam rumput yang basah.
17. Sentiasa pegang dengan kemas pada pemegang.
18. Jangan genggam bilah pemotong yang terdedah atau tepi pemotongan semasa mengutip atau memegang pemangkas.
19. Jauhkan tangan dan kaki daripada bilah berputar. Awas - Bilah meluncur selepas pemangkas dimatikan.
20. Hentikan operasi serta-merta jika anda mendapati sesuatu yang luar biasa. Matikan pemangkas. Kemudian, periksa pemangkas.
21. Jangan sekali-kali cuba membuat pelarasan ketinggian pemotongan semasa pemangkas sedang berjalan jika pemangkas mempunyai ciri pelarasan ketinggian pemangkas.
22. Lepaskan tuil suis dan tunggu putaran bilah berhenti sebelum menyeberang jalan masuk rumah, laluan, jalan dan sebarang kawasan kerikil. Matikan mesin jika anda meninggalkan pemangkas, mencapai untuk mengutip atau mengeluarkan sesuatu dari laluan anda atau apa-apa sebab lain yang mungkin mengganggu perkara yang sedang anda lakukan.
23. Jika pemangkas terkena objek asing, ikuti langkah berikut:
 - Hentikan pemangkas, lepaskan tuil suis dan tunggu sehingga bilah berhenti sepenuhnya.
 - Keluarkan kartrij bateri.
 - Periksa pemangkas dengan teliti bagi melihat sebarang kerosakan.
 - Gantikan bilah jika ia rosak dalam apa keadaan pun. Baik sebarang kerosakan sebelum memulakan semula dan meneruskan operasi pemangkas.
24. Jangan hidupkan pemangkas semasa berdiri di hadapan bukaan buangan.
25. Jika pemangkas mula bergetar secara tidak normal (periksa serta-merta)
 - periksa kerosakan,
 - ganti atau baik mana-mana bahagian yang rosak,
 - periksa dan ketatkan mana-mana bahagian longgar.
26. Jangan sekali-kali mengarahkan bahan yang dilepaskan ke arah sesiapa sahaja. Elakkan daripada mengeluarkan bahan bertentangan dinding atau halangan. Bahan boleh memantul kembali ke arah pengendali. Hentikan bilah ketika melintasi permukaan kerikil.
27. Jangan tarik pemangkas ke belakang melainkan jika perlu. Jika anda memaksa menyokong pemangkas dari pagar atau halangan lain yang sama, lihat ke bawah dan belakang sebelum dan semasa menggerakkan ke belakang.
28. Matikan motor dan tunggu hingga bilah selesai berhenti sebelum mengeluarkan penangkap rumput. Berhati-hati bahawa bilah meluncur selepas dimatikan.
29. Apabila anda menggunakan mesin di tanah berlumpur, cerun basah, atau tempat yang licin, beri perhatian kepada kedudukan anda.
30. Jangan menenggelamkan mesin ke dalam lopak.

31. Semasa mengendalikan mesin, beri perhatian kepada paip dan pendawaian.

Penyelenggaraan dan penyimpanan

1. Gantikan bahagian yang haus atau rosak untuk keselamatan. Gunakan alat ganti dan aksesori gantian yang asli sahaja.
2. Memeriksa dan mengekalkan pemangkas dengan kerap.
3. Apabila tidak guna, simpan pemangkas jauh daripada kanak-kanak.
4. Pastikan semua nat, bolt dan skru ketat untuk memastikan alat dalam keadaan kerja yang selamat.
5. Periksa bakul rumput secara kerap untuk sebarang kehausan atau kecacatan. Untuk penyimpanan, sentiasa pastikan bakul rumput kosong. Menggantikan bakul rumput yang lama dengan pengganti kilang baru untuk keselamatan.
6. Gunakan hanya bilah asli pengeluar yang dinyatakan dalam manual ini.
7. Berhati-hati semasa pelarasan pemangkas untuk mengelakkan jari terperangkap di antara bilah bergerak dan bahagian tetap pemangkas.
8. Periksa bolt lekatan bilah secara kerap untuk melihat memastikan ia diketatkan dengan betul.
9. Sentiasa biarkan pemangkas sejuk sebelum menyimpan.
10. Semasa menservis bilah, sentiasa beringat, walaupun sumber kuasa telah dimatikan, bilah masih boleh bergerak.
11. Jangan sekali-kali mengeluarkan atau menyentuh peranti keselamatan. Semak operasi yang betul dengan kerap. Jangan sekali-kali melakukan apa-apa untuk mengganggu fungsi yang dimaksudkan untuk peranti keselamatan atau untuk mengurangkan perlindungan yang disediakan oleh peranti keselamatan.
12. Jangan biarkan mesin di luar rumah tanpa pengawasan di dalam hujan.
13. Semasa menyimpan mesin, elakkan cahaya matahari dan hujan secara langsung, dan simpan di tempat yang tidak panas atau lembap.

Penggunaan dan penjagaan alat bateri

1. Cas semula dengan pengecas yang ditentukan oleh pengeluar sahaja. Pengecas yang sesuai untuk satu jenis pek bateri mungkin menimbulkan risiko kebakaran apabila digunakan dengan pek bateri lain.
2. Gunakan alat kuasa dengan pek bateri yang ditentukan secara khusus sahaja. Penggunaan mana-mana pek bateri lain mungkin menimbulkan risiko kecederaan dan kebakaran.
3. Apabila pek bateri tidak digunakan, jauhkan daripada objek logam lain, seperti klip kertas, duit syiling, paku, skru atau objek logam kecil lain, yang boleh membuat sambungan dari satu terminal ke terminal yang lain. Memintas terminal bateri bersama-sama mungkin menyebabkan lecuran atau kebakaran.

4. Di bawah keadaan kasar, cecair mungkin dikeluarkan daripada bateri; elakkan sentuhan. Jika tersentuh secara tidak sengaja, siram dengan air. Jika cecair terkena mata, dapatkan bantuan perubatan di samping siraman air. Cecair yang dikeluarkan dari bateri mungkin menyebabkan kegatalan atau lecuran.
5. Jangan gunakan pek bateri atau alat yang rosak atau diubah suai. Bateri yang rosak atau diubah suai mungkin menunjukkan perilaku yang tidak dijangka menyebabkan kebakaran, letupan atau risiko kecederaan.
6. Jangan dedahkan pek bateri atau alat kepada api atau suhu yang berlebihan. Pendedahan kepada api atau suhu melebihi 130 °C mungkin menyebabkan letupan.
7. Ikut semua arahan pengecasan dan jangan cas pek bateri atau alat di luar julat suhu yang ditetapkan dalam arahan. Mengecas dengan tidak betul atau pada suhu di luar julat yang dinyatakan mungkin merosakkan bateri dan meningkatkan risiko kebakaran.

Keselamatan elektrik dan bateri

1. Jangan hapuskan bateri dengan membakarnya. Sel mungkin meletup. Periksa dengan kod tempatan untuk kemungkinan arahan pelupusan khas.
2. Jangan buka atau merosakkan bateri. Elektrolit yang dibebaskan adalah menghakis dan boleh menyebabkan kerosakan kepada mata atau kulit. Ia mungkin toksik jika tertelan.
3. Jangan cas bateri dalam hujan, atau di lokasi yang basah.
4. Jangan cas bateri di luar.
5. Jangan pegang pengecas, termasuk palam pengecas, dan terminal pengecas dengan tangan basah.
6. Jangan menggantikan bateri dalam hujan.
7. Jangan basuh terminal bateri dengan cecair seperti air, atau menenggelamkan bateri. Jangan biarkan bateri yang dalam hujan, atau caj, penggunaan, atau simpan bateri di tempat yang lembap atau basah. Jika terminal basah atau cecair masuk ke dalam bateri, bateri boleh litar pintas terdapat risiko terlalu panas, terbakar, atau letupan.
8. Selepas mengeluarkan bateri dari mesin atau pengecas, pastikan memasang penutup bateri ke bateri dan simpannya di tempat yang kering.
9. Jangan ganti bateri dengan tangan basah.
10. Elakkan persekitaran yang bahaya. Jangan gunakan mesin dalam lokasi sampah atau basah atau mendedahkan mesin kepada hujan. Air yang memasuki mesin akan meningkatkan risiko kejutan elektrik.
11. Jika kartrij bateri basah, buang air di dalamnya dan kemudian lap dengan kain kering. Keringkan kartrij bateri sepenuhnya di tempat kering sebelum digunakan.

Servis

1. Pastikan alat kuasa anda diservis oleh orang yang berkelayakan dengan hanya menggunakan alat ganti yang sama. Ini akan memastikan keselamatan alat kuasa dapat dikekalkan.
2. Jangan servis pek bateri yang telah rosak. Servis pek bateri hanya boleh dilakukan oleh pengeluar atau penyedia servis yang sah.

SIMPAN ARAHAN INI.

⚠️AMARAN: JANGAN biarkan keselesaan atau kebiasaan dengan produk (daripada penggunaan berulang) menggantikan pematuhan ketat terhadap peraturan keselamatan untuk produk yang ditetapkan.

SALAH GUNA atau kegagalan mematuhi peraturan-peraturan keselamatan yang dinyatakan dalam manual arahan ini boleh menyebabkan kecederaan diri yang serius.

Arahan keselamatan penting untuk kartrij bateri

1. Sebelum menggunakan kartrij bateri, baca semua arahan dan tanda amaran pada (1) pengecas bateri, (2) bateri, dan (3) produk menggunakan bateri.
2. Jangan buka atau cabut kartrij bateri. Ia boleh mengakibatkan kebakaran, haba berlebihan, atau letupan.
3. Jika masa operasi menjadi sangat pendek, berhenti operasi serta merta. Ia mungkin menyebabkan risiko pemanasan lampau, melecur bahkan letupan.
4. Jika elektrolit masuk ke dalam mata anda, bilas mata dengan air jernih dan dapatkan rawatan perubatan serta merta. Ia mungkin menyebabkan kehilangan penglihatan.
5. Jangan pintaskan kartrij bateri:
 - (1) Jangan sentuh terminal dengan bahan berkonduksi.
 - (2) Elakkan menyimpan kartrij bateri dalam bekas bersama-sama objek besi lain seperti paku, duit syiling, dll.
 - (3) Jangan dedahkan kartrij bateri kepada air atau hujan.Pintasan bateri boleh menyebabkan aliran kuasa yang besar, pemanasan lampau, melecur dan juga kerosakan.
6. Jangan simpan dan gunakan alat dan kartrij bateri di lokasi yang suhunya mungkin mencapai atau melebihi 50 °C (122 °F).
7. Jangan bakar kartrij bateri walaupun jika ia rosak teruk atau haus sepenuhnya. Kartrij bateri boleh meletup dalam kebakaran.
8. Jangan paku, potong, pecahkan, buang, jatuhkan kartrij bateri, atau tekan objek keras pada kartrij bateri. Perbuatan sedemikian boleh mengakibatkan kebakaran, haba berlebihan, atau letupan.
9. Jangan gunakan bateri yang rosak.

10. **Bateri litium ion yang terkandung adalah tertakluk kepada keperluan Perundangan Barangan Berbahaya.**

Bagi pengangkutan komersil cth. oleh pihak ketiga, ejen penghantar, keperluan khas pada pembungkusan dan pelabelan mestilah diperhatikan.

Bagi persediaan item yang dihantar, berunding dengan pakar bahan berbahaya adalah diperlukan. Sila juga perhatikan sebolehnya peraturan kebangsaan yang lebih terperinci. Lekatkan atau balut bahagian terbuka dan pek bateri supaya ia tidak bergerak dalam pembungkusan.
11. **Apabila melupuskan kartrij bateri, keluarkan ia daripada alat dan lupuskan ia di tempat selamat. Ikut peraturan tempatan anda mengenai pelupusan bateri.**
12. **Gunakan bateri hanya dengan produk yang ditentukan oleh Makita.** Memasang bateri kepada produk yang tidak patuh mungkin menyebabkan kebakaran, pemanasan lampau, atau kebocoran elektrolit.
13. **Jika alat tidak digunakan untuk tempoh masa yang lama, bateri mesti dikeluarkan daripada alat.**
14. **Semasa dan selepas penggunaan, kartrij bateri mungkin ada haba yang boleh menyebabkan terbakar atau suhu rendah terbakar. Beri perhatian kepada pengendalian kartrij bateri yang panas.**
15. **Jangan sentuh terminal alat itu selepas digunakan kerana ia mungkin panas menyebabkan terbakar.**
16. **Jangan biarkan cip, habuk, atau tanah terperangkap ke dalam terminal, lubang, dan alur cahaya kartrij bateri.** Ia mungkin menyebabkan pemanasan, terbakar, meletup dan pincang tugas alat atau kartrij bateri, seterusnya menyebabkan lecur atau kecederaan diri.
17. **Melainkan alat ini menyokong penggunaan yang hampir dari talian kuasa elektrik voltan tinggi, jangan gunakan kartrij bateri berhampiran talian kuasa elektrik voltan tinggi.** Ia mungkin menyebabkan kerosakan atau pecah pada alat atau kartrij bateri.
18. **Jauhkan bateri daripada kanak-kanak.**

SIMPAN ARAHAN INI.

⚠️PERHATIAN: Hanya gunakan bateri asli Makita. Penggunaan bateri tidak asli Makita, atau bateri yang telah diubah suai, mungkin menyebabkan bateri meletup menyebabkan kebakaran, kecederaan diri dan kerosakan. Ia juga membatalkan jaminan Makita untuk alat Makita dan pengecas.

Tip untuk mengekalkan hayat bateri maksimum

1. **Cas kartrij bateri sebelum ternyata habis sepenuhnya. Sentiasa hentikan operasi alat dan cas kartrij bateri apabila anda menyedari kurang kuasa alat.**

2. Jangan cas semula kartrij bateri yang dicas sepenuhnya. Terlebih cas memendekkan hayat servis bateri.
3. Cas kartrij bateri dengan suhu bilik pada 10 °C - 40 °C (50 °F - 104 °F). Biarkan kartrij bateri yang panas menyejuk sebelum mengecasnya.
4. Apabila tidak menggunakan kartrij bateri, tanggalkannya dari alat atau pengecas.
5. Cas kartrij bateri jika anda tidak menggunakannya untuk tempoh yang lama (lebih daripada enam bulan).

PEMASANGAN

⚠️ AMARAN: Sentiasa pastikan kartrij bateri dikeluarkan sebelum menjalankan sebarang kerja pada mesin. Kegagalan untuk mengeluarkan kartrij bateri mungkin menyebabkan kecederaan diri yang serius daripada permulaan tanpa sengaja.

⚠️ AMARAN: Jangan sekali-kali hidupkan pemangkas melainkan ia telah dipasang sepenuhnya. Pengendalian alat dalam keadaan separa pasang mungkin mengakibatkan kecederaan peribadi yang serius daripada permulaan tanpa sengaja.

Memasang pemegang

NOTIS: Apabila memasang pemegang, berhati-hati untuk tidak memicit kord antara pemegang. Jika kord telah rosak, suis pemangkas mungkin tidak berfungsi.

1. Jajarkan lubang pada pemegang bawah dengan lubang pada pemegang atas, kemudian masukkan bolt dari luar dan kemudian ketatkan nat ibu jari. Lakukan prosedur yang sama di sisi lain.
▶ **Rajah1:** 1. Bolt 2. Nat ibu jari 3. Pemegang bawah 4. Pemegang atas
2. Putarkan tombol 90° sambil menarik tombol pada pemegang lebih rendah untuk melepaskan pin mengunci. Lakukan prosedur yang sama di sisi lain. Naikkan pemegang dan kemudian putarkan tombol pada kedua-dua bahagian 90°. Pastikan tombol dipasang dengan ketat.
▶ **Rajah2:** 1. Tombol

NOTA: Menyokong pemegang menjadikannya lebih mudah untuk melepaskan pin pengunci semasa menarik tombol.

NOTA: Apabila memutar tombol, berhati-hati agar kord tidak tersangkut pada tombol.

- ▶ **Rajah3:** 1. Tombol

Mengeluarkan plag sungkupan

1. Buka penutup belakang.
▶ **Rajah4:** 1. Penutup belakang
2. Naikkan plag sungkupan sedikit, kemudian tanggalkannya.
▶ **Rajah5:** 1. Plag sungkupan

Pemasangan bakul rumput

1. Angkat klip atas bakul rumput.
▶ **Rajah6:** 1. Klip atas
2. Masukkan bingkai ke dalam bakul rumput setakat ia boleh dimasukkan semasa memegang pemegang bingkai.
▶ **Rajah7:** 1. Pemegang

NOTIS: Jangan masukkan pemegang ke dalam bakul rumput. Pastikan untuk memasukkan bingkai di sepanjang jahitan bakul rumput.

3. Pastikan tiada lendutan pada sudut bakul rumput.
▶ **Rajah8**
4. Buka klip atas dan pasangkan pada bingkai.
▶ **Rajah9**
5. Pasangkan semua klip lain seperti yang ditunjukkan dalam rajah. Pastikan semua klip dipasang dengan kukuh pada bingkai.
▶ **Rajah10:** 1. Klip

Memasang atau mengeluarkan bakul rumput

Untuk memasang bakul rumput, ikuti langkah-langkah di bawah.

1. Buka penutup belakang.
▶ **Rajah11:** 1. Penutup belakang
2. Memegang pemegang bakul rumput, dan kemudian menyangkut bakul rumput di batang alat pemangkas seperti yang ditunjukkan dalam rajah.
▶ **Rajah12:** 1. Bakul rumput 2. Pemegang 3. Batang

Untuk mengeluarkan rumput, buka penutup belakang, dan kemudian keluarkan bakul rumput dengan memegang pemegang.

Merapatkan plag sungkupan

1. Buka penutup belakang, dan kemudian keluarkan bakul rumput.
▶ **Rajah13:** 1. Penutup belakang 2. Bakul rumput
2. Pasang palam sungkupan dengan menolak palam sejauh yang boleh supaya tonjolan pada palam sungkupan muat ke dalam lubang pada mesin.
▶ **Rajah14:** 1. Plag sungkupan 2. Tonjolan

Memasang atau mengeluarkan pelongsor buangan

Untuk memasang pelongsor buangan, ikut langkah-langkah di bawah.

1. Buka penutup belakang dan kemudian tanggalkan bakul rumput dan plag sungkupan.
2. Cangkukkan lubang pada pelongsor buangan ke tonjolan pada badan pemangkas seperti yang ditunjukkan dalam rajah.
▶ **Rajah15:** 1. Pelongsor buangan 2. Tonjolan

Untuk mengeluarkan pelongsor buangan, buka penutup belakang dan kemudian keluarkan pelongsor buangan.

KETERANGAN FUNGSI

Memasang atau mengeluarkan kartrij bateri

⚠PERHATIAN: Sentiasa matikan mesin sebelum memasang atau mengeluarkan kartrij bateri.

⚠PERHATIAN: Pegang mesin dan kartrij bateri dengan kukuh apabila memasang atau mengeluarkan kartrij bateri. Kegagalan untuk memegang mesin dan kartrij bateri dengan kukuh boleh menyebabkan ia terlepas daripada tangan anda dan mengakibatkan kerosakan kepada mesin dan kartrij bateri serta kecederaan diri.

⚠PERHATIAN: Pastikan anda mengunci penutup bateri sebelum penggunaan. Jika tidak, lumpur, kotoran atau air boleh mengakibatkan kerosakan pada produk atau kartrij bateri.

⚠PERHATIAN: Jangan pasang kartrij bateri secara paksa. Jika kartrij tidak meluncur dengan mudah, ia tidak dimasukkan dengan betul.

⚠PERHATIAN: Pegang penutup bateri dengan kukuh semasa memasang atau menanggalkan kartrij bateri.

Untuk memasang kartrij bateri;

1. Tarik tuil penguncian, dan kemudian buka penutup bateri.
▶ **Rajah16:** 1. Penutup bateri 2. Tuil penguncian
2. Pegang kartrij bateri pada kedudukan menegak dengan lampu penunjuk menghadap ke depan. Masukkan kartrij bateri ke dalam mesin sehingga ia melekap pada tuil kunci bateri.
▶ **Rajah17:** 1. Lampu penunjuk 2. Tuil kunci bateri

NOTA: Menolak bateri secara menegak dari atas menjadikan mesin lebih sukar untuk bergerak dan menjadikannya lebih mudah untuk memasang bateri.

▶ **Rajah18**

3. Tutup penutup bateri dan tolak ia sehingga ia melekap pada tuil penguncian.

Untuk mengeluarkan kartrij bateri;

1. Tarik tuil penguncian dan kemudian buka penutup bateri.
2. Tolak tuil kunci bateri dan kemudian tarik kartrij bateri daripada mesin.
▶ **Rajah19:** 1. Tuil kunci bateri 2. Kartrij bateri
3. Tutup penutup bateri.

Sistem perlindungan bateri / mesin

Mesin dilengkapi dengan sistem perlindungan bateri/ mesin. Sistem ini memutuskan kuasa kepada motor secara automatik untuk memanjangkan hayat mesin dan bateri. Mesin akan berhenti secara automatik ketika operasi jika mesin atau bateri diletakkan di bawah salah satu syarat yang berikut:

Perlindungan lebih beban

Jika mesin atau bateri telah dikendalikan mengikut cara yang menyebabkan ia menarik semasa arus luar biasa tinggi, mesin berhenti secara automatik dan lampu kuasa utama berkelip dengan warna hijau. Dalam situasi ini, matikan mesin dan hentikan penggunaan yang menyebabkan mesin menjadi terlebih beban. Kemudian hidupkan mesin untuk mula semula.

Perlindungan pemanasan lampau

Jika mesin atau kartrij bateri terlalu panas, mesin itu berhenti secara automatik. Apabila mesin terlampau panas, lampu kuasa utama menyala merah. Apabila kartrij bateri terlampau panas, lampu kuasa utama berkelip merah. Biarkan mesin dan/atau bateri sejuk sebelum menghidupkan semula mesin.

Perlindungan lebih nyahcas

Apabila kapasiti bateri tidak mencukupi, mesin berhenti secara automatik dan lampu kuasa utama berkedip merah.

Dalam kes ini, keluarkan bateri dari mesin dan cas kartrij bateri atau tukar kartrij bateri kepada yang dicas sepenuhnya.

Perlindungan terhadap punca lain

Sistem perlindungan juga direka bentuk untuk punca lain yang boleh merosakkan mesin dan membolehkan mesin berhenti secara automatik. Ambil semua langkah yang berikut untuk membuang punca, apabila mesin telah dibawa kepada berhenti sementara atau berhenti beroperasi.

1. Matikan mesin dan kemudian hidupkan peralatan lagi untuk mula semula.
2. Cas bateri atau gantikan bateri dengan bateri yang telah dicas.
3. Biarkan mesin dan bateri menyejuk.

Jika tiada penambahbaikan boleh didapati melalui pemulihan sistem perlindungan, maka hubungi Pusat Servis Makita tempatan anda.

NOTIS: Jika mesin berhenti kerana sebab yang tidak diterangkan di atas, rujuk bahagian penyelesaian masalah.

Menunjukkan kapasiti bateri yang tinggal

► Rajah20: 1. Penunjuk bateri

Semasa kapasiti bateri yang tinggal menjadi rendah, penunjuk bateri berkelip pada bahagian bateri yang berkaitan. Dengan penggunaan seterusnya, mesin berhenti dan penunjuk bateri menyala. Dalam situasi ini, cas kartrij bateri.

Menunjukkan kapasiti bateri yang tinggal

Tekan butang semak pada kartrij bateri untuk menunjukkan kapasiti bateri yang tinggal. Lampu penunjuk menyala untuk beberapa saat.

► Rajah21: 1. Lampu penunjuk 2. Butang semak

Lampu penunjuk			Kapasiti yang tinggal
Dinyalakan	Mati	Berkelip	
■	□	◐	
■ ■ ■ ■			75% hingga 100%
■ ■ ■ □			50% hingga 75%
■ ■ □ □			25% hingga 50%
■ □ □ □			0% hingga 25%
◐ □ □ □			Cas bateri.
■ ■ □ □	↑ ↓		Bateri mungkin telah rosak.
□ □ ■ ■			

NOTA: Bergantung kepada keadaan penggunaan dan suhu persekitaran, penunjuk mungkin berbeza sedikit daripada kapasiti sebenar.

NOTA: Lampu penunjuk (kiri jauh) pertama akan berkedip apabila sistem perlindungan bateri berfungsi.

Panel kawalan

Panel kawalan mempunyai suis kuasa utama dan butang pensuisan mod.

- **Rajah22:** 1. Lampu mod tanpa beban lembut
2. Lampu mod pengurangan bunyi
3. Butang pensuisan mod 4. Lampu kuasa utama 5. Suis kuasa utama

Suis kuasa utama

AMARAN: Sentiasa matikan suis kuasa utama apabila tidak digunakan.

Untuk menghidupkan mesin, tekan kuasa utama. Lampu kuasa utama menyala hijau. Untuk matikan mesin, tekan kuasa utama sekali lagi.

NOTA: Jika lampu kuasa utama menyala merah atau berkelip merah atau hijau, rujuk kepada arahan untuk sistem perlindungan mesin/bateri.

NOTA: Mesin ini menggunakan fungsi kuasa auto. Untuk mengelakkan permulaan yang tidak disengajakan, suis kuasa utama akan dimatikan secara automatik apabila tuil suis dan tuil pemacu (jika dilengkapi) tidak ditarik untuk tempoh tertentu selepas suis kuasa utama dihidupkan.

Butang pensuisan mod

Anda boleh menukar mod operasi dengan menekan butang pensuisan mod. Apabila mesin dihidupkan, mesin mula dalam mod biasa.

Rujuk jadual di bawah untuk setiap mod.

Mod	Lampu	Keterangan
Mod biasa	Kedua-dua lampu mod tanpa beban lembut dan lampu mod pengurangan bunyi dimatikan.	Mesin berfungsi dalam mod biasa.
Mod tanpa beban lembut	Lampu mod tanpa beban lembut menyala hijau.	Anda boleh meminimumkan kejutan permulaan dan menghidupkan mesin dengan lancar.
Mod pengurangan bunyi	Lampu mod pengurangan bunyi menyala hijau.	Anda boleh mengurangkan bunyi semasa memangkas.

Tindakan suis

AMARAN: Sebelum memasang kartrij bateri, sentiasa periksa untuk melihat tuil suis bergerak dengan betul dan kembali ke posisi asal apabila dilepaskan. Mengendalikan mesin dengan suis yang tidak bergerak dengan betul boleh menyebabkan hilang kawalan dan kecederaan diri yang serius.

NOTA: Pemangkas tidak dapat dihidupkan tanpa menekan butang suis walaupun jika tuil suis ditarik.

NOTA: Pemangkas mungkin tidak akan mula kerana terlalu banyak apabila anda cuba memotong rumput panjang atau tebal pada satu masa. Meningkatkan ketinggian memangkas dalam kes ini.

Mesin ini dilengkapi dengan butang suis. Jika anda perhatikan sebarang perkara luar biasa dengan butang suis, hentikan operasi serta-merta dan periksa dengan Pusat Servis Sah Makita berdekatan anda.

1. Pasang kartrij bateri dan kemudian, tutup penutup bateri.
2. Tekan suis kuasa utama.

NOTA: Lampu kuasa utama berkelip dalam warna hijau jika anda menekan suis kuasa utama sambil menarik tuil suis. Lepaskan tuil suis sebelum menekan suis kuasa utama.

3. Tarik tuil suis ke arah anda semasa memegang butang suis. Lepaskan butang suis semasa motor mula berjalan.

- **Rajah23:** 1. Butang suis 2. Tuil suis

4. Semasa memegang tuil suis, tekan tuil pemacu ke hadapan dan tahan untuk memacu roda belakang.

► **Rajah24:** 1. Memacu tuil

NOTA: Anda boleh memacu roda belakang dengan menolak tuil pemacu ke hadapan dan tahan tanpa menarik tuil suis.

5. Lepaskan tuil pemacu dan tuil suis untuk menghentikan mesin.

Laraskan ketinggian memangkas

AMARAN: Jangan sekali-kali letakkan tangan atau kaki di bawah unit pemangkas semasa melaraskan ketinggian memangkas.

AMARAN: Sentiasa pastikan tuil sepadan dengan alur dengan betul sebelum operasi.

Ketinggian memangkas boleh dilaraskan dalam julat antara 20 mm dan 100 mm.

Matikan mesin dan kemudian tarik tuil pelaras ketinggian memangkas ke luar alat pemangkas dan gerakkannya ke ketinggian memangkas yang anda inginkan.

► **Rajah25:** 1. Tuil pelaras ketinggian memangkas

Jadual di bawah menunjukkan perhubungan di antara nombor di badan pemangkas dan anggaran ketinggian memangkas.

Nombor	Ketinggian memangkas
1	20 mm
2	26 mm
3	32 mm
4	39 mm
5	47 mm
6	55 mm
7	63 mm
8	74 mm
9	86 mm
10	100 mm

Pegang pemegang bawah depan dengan satu tangan dan kemudian gerakan tuil pelaras ketinggian memangkas dengan tangan yang lain.

► **Rajah26:** 1. Tuil pelaras ketinggian memangkas
2. Pemegang bawah

NOTA: Nilai ketinggian memangkas hendaklah digunakan hanya sebagai garis panduan. Bergantung kepada keadaan rumput atau tanah, ketinggian rumput yang sebenar mungkin menjadi sedikit berbeza daripada ketinggian set.

NOTA: Cuba uji pemangkasan rumput di tempat mudah dilihat untuk mendapatkan ketinggian yang anda kehendaki.

Penunjuk paras rumput

Penunjuk paras rumput menunjukkan volum rumput yang dipangkas. Apabila bakul rumput tidak penuh, penunjuk terapung sementara bilah bergerak.

► **Rajah27:** 1. Penunjuk paras rumput

Semasa bakul rumput penuh hampir penuh, penunjuk tidak terapung sementara bilah bergerak. Dalam keadaan ini, hentikan operasi serta-merta dan kosongkan bakul.

► **Rajah28:** 1. Penunjuk paras rumput

NOTA: Penunjuk ini adalah panduan secara kasar. Bergantung kepada keadaan di dalam bakul, penunjuk ini mungkin tidak berfungsi dengan betul.

Laraskan ketinggian pemegang

Ketinggian pemegang boleh dilaraskan dalam dua tahap.

1. Pegang pemegang bawah, dan kemudian putarkan tombol 90° sambil menarik tombol pada pemegang bawah untuk melepaskan pin pengunci. Lakukan prosedur yang sama di sisi lain.

► **Rajah29:** 1. Pemegang bawah 2. Tombol

NOTA: Menyokong pemegang menjadikannya lebih mudah untuk melepaskan pin pengunci semasa menarik tombol.

2. Laraskan ketinggian pemegang, kemudian putarkan tombol pada kedua-dua sisi 90°. Pastikan tombol dipasang dengan ketat.

► **Rajah30:** 1. Tombol

Melaraskan kelajuan pergerakan

► **Rajah31:** 1. Tuil kelajuan

Kelajuan pergerakan boleh dilaraskan dengan tuil kelajuan. Untuk mengurangkan kelajuan, tarik tuil ke arah anda, dan untuk meningkatkan kelajuan, pusing tuil ke hadapan.

Menggunakan plag sungkupan

Plag sungkupan membolehkan anda mengembalikan rumput yang dipotong ke tanah tanpa mengumpul rumput yang dipotong di dalam bakul rumput. Apabila anda mengendalikan mesin dengan plag sungkupan, pastikan untuk mengeluarkan bakul rumput atau pelongsor buangan.

NOTIS: Apabila menggunakan mesin dengan plag sungkupan, pastikan panjang rumput selepas dipotong adalah 30 mm atau lebih, atau panjang potongan adalah 15 mm atau kurang.

► **Rajah32:** (1) 30 mm atau lebih (2) 15 mm atau kurang

Menggunakan pelongsor buangan

Pelongsor buangan membolehkan anda membuang rumput yang dipotong ke tanah dari bahagian kanan mesin tanpa mengumpul potongan rumput di bakul rumput. Apabila anda mengendalikan mesin dengan pelongsor buangan, pastikan untuk mengeluarkan bakul rumput dan plag sungkupan.

Menggunakan nyahcas belakang

Menggunakan nyahcas belakang membolehkan anda melepaskan rumput memotong ke tanah dari bahagian belakang mesin tanpa mengumpul rumput potong di bakul rumput.

Apabila anda mengendalikan mesin menggunakan nyahcas belakang, pastikan anda mengeluarkan plag sungkupan, dan bakul rumput atau pelongsor buangan, dan tutup penutup belakang.

Fungsi elektronik

Mesin ini dilengkapi dengan fungsi elektronik untuk operasi mudah.

- Bermula perlahan semasa memandu
Fungsi bermula perlahan mengurangkan permulaan mengejut, dan menjadikan mesin bermula secara lancar.
- Brek elektrik
Mesin ini dilengkapi dengan brek elektrik. Jika mesin tersebut secara konsisten gagal untuk menghentikan bilah pemangkas selepas melepaskan tuil suis, hantar mesin tersebut di Pusat Perkhidmatan yang Dibenarkan Makita.

OPERASI

Memangkas

⚠️ AMARAN: Sebelum memangkas, alihkan kayu dan batu dari kawasan memangkas. Kemudian, alihkan sebarang rumpai dari kawasan memangkas dahulu.

⚠️ AMARAN: Sentiasa pakai goggles keselamatan atau kaca mata keselamatan dengan pelindung sisi semasa mengendalikan pemangkas.

⚠️ PERHATIAN: Jika potongan rumput atau objek asing menghalang dalam badan pemangkas, pastikan anda mengeluarkan kartrij bateri dan memakai sarung tangan sebelum mengeluarkan rumput atau objek asing.

NOTIS: Gunakan mesin ini untuk memangkas rumput sahaja. Jangan memangkas rumput dengan mesin ini.

► Rajah33

Pegang perlahan-lahan dengan kedua-dua tangan apabila memangkas. Garis panduan kelajuan memangkas adalah kira-kira 7 ke 14 meter 10 sesaat.

► Rajah34

NOTA: Apabila memotong laman berumput panjang atau laman berumput tebal, jika panjang rumput tidak sama atau hasil yang tidak kemas ditemui selepas pemangkas atau pengurangan kelajuan motor ditemui semasa pemangkas, kurangkan kelajuan memangkas lebih rendah daripada yang disyorkan dalam manual ini atau naikkan ketinggian memangkas.

Barisan tengah roda hadapan adalah panduan untuk lebar pemangkas. Menggunakan garis tengah sebagai garis panduan, memangkas jalur. Melakukan penindihan separuh hingga satu pertiga jalur sebelumnya untuk memangkas rumput secara rata.

► **Rajah35:** 1. Lebar pemangkas 2. Kawasan pertindihan 3. Garis tengah

Menukar arah memotong setiap masa untuk mengelakkan corak tekstur rumput membentuk hanya dalam satu arah.

► Rajah36

Periksa secara berkala bakul rumput untuk memangkas rumput. Kosongkan rumput sebelum ia menjadi penuh. Sebelum pemeriksaan berkala, pastikan untuk menghentikan mesin.

NOTIS: Menggunakan pemangkas dengan bakul rumput yang penuh menghalang kelancaran putaran bilah dan mengencakan beban lebih pada motor yang boleh menyebabkan kerosakan.

Memangkas laman berumput panjang

Jangan cuba untuk memotong laman berumput panjang secara serentak. Sebaliknya, memangkas rumput mengikut langkah-langkah. Tinggalkan satu atau dua hari antara pemangkas sehingga laman berumput menjadi sama rata.

► Rajah37

NOTA: Memangkas laman berumput panjang kepada pendek secara serentak boleh menyebabkan rumput mati. Laman berumput yang dipotong mungkin juga boleh tersekat dalam badan pemangkas.

NOTA: Jika panjang rumput tidak sama atau hasil yang tidak kemas ditemui selepas pemangkas atau pengurangan kelajuan motor ditemui semasa pemangkas, kurangkan kelajuan memangkas atau naikkan ketinggian memangkas.

Mengosongkan bakul rumput

⚠️ AMARAN: Untuk mengurangkan risiko kemalangan, periksa bakul rumput secara kerap untuk sebarang kerosakan atau kekuatan yang lemah. Gantikan bakul rumput jika perlu.

1. Lepaskan tuil suis dan tuil pemacu.
2. Matikan mesin.
3. Buka penutup belakang dan keluarkan bakul rumput dengan memegang pemegang.
► **Rajah38:** 1. Penutup belakang 2. Pemegang 3. Bakul rumput
4. Kosongkan bakul rumput.

PENYELENGGARAN

⚠️ AMARAN: Sentiasa pastikan kartrij bateri dikeluarkan daripada mesin sebelum menyimpan atau membawa mesin atau mencuba menjalankan pemeriksaan atau penyelenggaraan.

⚠️ AMARAN: Pakai sarung tangan semasa melakukan pemeriksaan atau penyelenggaraan.

⚠️ AMARAN: Sentiasa pakai goggles keselamatan atau kaca mata keselamatan dengan pelindung sisi apabila melakukan pemeriksaan atau penyelenggaraan.

NOTIS: Jangan gunakan petrol, benzin, pencair, alkohol atau bahan yang serupa. Ia boleh menyebabkan perubahan warna, bentuk atau keretakan.

Untuk mengekalkan KESELAMATAN dan KEBOLEHPERCAYAAN produk, pembaikan, apa-apa penyelenggaraan atau penyesuaian lain perlu dilakukan oleh Kilang atau Pusat Servis Makita yang Diiktiraf, sentiasa gunakan alat ganti Makita.

Penyelenggaraan

1. Keluarkan kartrij bateri dan kemudian, tutup penutup bateri.
2. Letakkan mesin rumput pada bahagian sisinya. Keratan rumput yang bersih terkumpul di bawah dek pemangkas.
3. Tuangkan air ke bahagian bawah mesin di mana bilah diletakkan.

NOTIS: Jangan basuh mesin dengan air tekanan yang tinggi.

4. Periksa semua nat, bolt, skru, dll untuk pengikat.
5. Periksa bahagian yang bergerak bagi melihat sebarang kerosakan, keretakan dan kehausan. Bahagian rosak atau hilang perlu diperbaiki atau digantikan.
6. Menyimpan pemangkas di tempat yang selamat jauh daripada jangkauan kanak-kanak.

NOTIS: Jangan tuang air kepada kawasan yang ditunjukkan dalam rajah tersebut. Menuang air ke unit motor boleh menyebabkan kerosakan mesin.

- **Rajah39:** 1. Kawasan di mana air tidak boleh dituangkan

NOTIS: Jangan tuang air pada mesin semasa mesin berada dalam kedudukan menegak seperti yang ditunjukkan dalam rajah. Jika mesin berada dalam kedudukan menegak, air mungkin akan mencurahkan turun ke unit motor dan menyebabkan pincang tugas mesin.

- **Rajah40**

Membawa pemangkas

⚠️ PERHATIAN: Sebelum membawa pemangkas, pastikan kartrij bateri dikeluarkan.

Apabila membawa pemangkas, tahan genggam belakang dan bahagian pemegang di depan mesin dengan dua orang seperti yang ditunjukkan dalam rajah.

- **Rajah41:** 1. Bahagian pemegang bawah
2. Genggam belakang

Penyimpanan

⚠️ PERHATIAN: Apabila meletakkan mesin dalam kedudukan menegak, letakkan mesin pada permukaan yang rata dan stabil. Jika mesin diletakkan pada permukaan yang tidak stabil, mesin mungkin jatuh dan menyebabkan kecederaan.

Simpan pemangkas di dalam tempat tertutup yang sejuk, kering dan berkunci. Jangan simpan pemangkas dan pengecas di lokasi yang suhunya mungkin mencapai atau melebihi 40°C.

1. Keluarkan kartrij bateri.
2. Putarkan tombol 90° sambil menarik tombol pada pemegang lebih rendah untuk melepaskan pin pengunci. Lakukan prosedur yang sama di sisi lain dan kemudian lipat pemegang.

- **Rajah42:** 1. Tombol

NOTA: Menyokong pemegang menjadikannya lebih mudah untuk melepaskan pin pengunci semasa menarik tombol.

3. Putarkan tombol pada kedua-dua sisi 90°. Pastikan tombol dipasang dengan ketat.

- **Rajah43:** 1. Tombol

NOTIS: Berhati-hati supaya tidak memicit kord semasa melipat pemegang.

4. Longgarkan nat ibu jari pada kedua-dua sisi dan kemudian lipatkan pemegang atas seperti yang ditunjukkan dalam gambar rajah.

- **Rajah44:** 1. Nat ibu jari 2. Pemegang atas

5. Letakkan mesin dalam kedudukan menegak.

NOTA: Ketika meletakkan pemangkas dalam kedudukan tegak, jangan pegang pemegang sahaja, tetapi pegang badan dan pemegang pemangkas.

6. Simpan bakul rumput seperti yang ditunjukkan dalam rajah.

- **Rajah45:** 1. Bakul rumput

- **Rajah46:** 1. Bakul rumput

Mengeluarkan atau memasang bilah pemangkas

AMARAN: Bilah meluncur untuk beberapa saat selepas suis dilepaskan. Jangan mula sebarang operasi sehingga bilah berhenti sepenuhnya.

AMARAN: Sentiasa keluarkan kartrij bateri semasa mengeluarkan atau memasang bilah. Kegagalan untuk mengeluarkan kartrij bateri boleh menyebabkan kecederaan yang serius.

AMARAN: Sentiasa pakai sarung tangan semasa mengendalikan bilah.

Mengeluarkan bilah pemangkas

1. Letak pemangkas pada sisinya supaya tuil pelaras ketinggian memangkas terletak pada sisi atas.
 2. Untuk mengunci bilah, masukkan pin ke lubang pada badan pemangkas sejauh yang boleh.
 3. Putar bolt lawan jam dengan kotak sepana 17.
- **Rajah47:** 1. Bilah pemangkas 2. Pin 3. Kotak sepana

4. Keluarkan bolt, dan kemudian bilah pemangkas.
- **Rajah48:** 1. Sokongan bilah 2. Bilah pemangkas 3. Bolt 4. Tonjol

NOTIS: Apabila memasang bilah pemangkas, pastikan bahawa tonjol pada sokongan bilah sesuai di dalam lubang dalam bilah pemangkas.

Memasang bilah pemangkas

AMARAN: Pasang bilah pemangkas dengan berhati-hati. Ia menghadap atas/bawah.

AMARAN: Ketatkan bolt ikut arah jam dengan kemas untuk mengukuhkan bilah.

AMARAN: Pastikan bilah pemangkas dan semua bahagian pemasangan dipasang dengan betul dan diketatkan dengan selamat.

AMARAN: Apabila anda menggantikan bilah, sentiasa ikut arahan yang disediakan dalam manual ini.

NOTIS: Selepas memasang bilah pemangkas, keluarkan pin dari alat pemangkas.

Untuk memasang bilah pemangkas ikuti prosedur mengeluarkan secara terbalik.

PENYELESAIAN MASALAH

Sebelum meminta pembaikan, jalankan pemeriksaan sendiri terlebih dahulu. Jika anda dapati masalah yang tidak diterangkan dalam manual, jangan cuba untuk menanggalkan mesin. Sebaliknya, tanya Pusat Servis Sah Makita, sentiasa gunakan alat ganti Makita untuk pembaikan.

Keadaan keabnormalan	Sebab yang mungkin (pincang tugas)	Remedi
Pemangkas tidak dapat dihidupkan.	Kartrij bateri tidak dipasang.	Pasang kartrij bateri yang telah dicas.
	Masalah bateri (voltan rendah)	Cas semula kartrij bateri. Jika mengecas tidak berkesan, gantikan kartrij bateri.
Motor berhenti berfungsi selepas digunakan seketika.	Tahap bateri terlalu rendah.	Cas semula kartrij bateri. Jika mengecas tidak berkesan, gantikan kartrij bateri.
	Ketinggian pemetongan terlalu rendah.	Meningkatkan ketinggian pemetongan.
	Potong rumput tersumbat di pemangkas.	Keluarkan rumput yang tersumbat dari mesin pemangkas.
Motor tidak mencapai RPM maksimum.	Kartrij bateri tidak dipasang dengan betul.	Pasang kartrij bateri seperti yang diterangkan dalam manual ini.
	Kuasa bateri berkurangan.	Cas semula kartrij bateri. Jika mengecas tidak berkesan, gantikan kartrij bateri.
	Sistem pacuan tidak berfungsi dengan betul.	Tanya pusat servis sah tempatan anda untuk pembaikan.
Bilah pemangkas tidak berputar: ⇒ hentikan memangkas serta-merta!	Objek asing seperti ranting tersangkut berdekatan bilah.	Keluarkan objek asing.
	Sistem pacuan tidak berfungsi dengan betul.	Tanya pusat servis sah tempatan anda untuk pembaikan.
Getaran tidak normal: ⇒ hentikan memangkas serta-merta!	Bilah tidak seimbang, terlebih haus atau haus tidak sekata.	Gantikan bilah.

AKSESORI PILIHAN

⚠️ PERHATIAN: Aksesori atau lampiran ini disyorkan untuk digunakan dengan mesin Makita yang dinyatakan dalam manual ini. Penggunaan mana-mana aksesori atau alat tambahan lain mungkin mengakibatkan risiko kecederaan kepada orang. Hanya gunakan aksesori atau alat tambahan untuk tujuan yang dinyatakannya.

Jika anda memerlukan sebarang bantuan untuk maklumat lebih lanjut mengenai aksesori ini, tanya Pusat Perkhidmatan Makita tempatan anda.

- Bilah pemangkas
- Bateri dan pengecas asli Makita

NOTA: Beberapa item dalam senarai mungkin disertakan dalam pakej produk sebagai aksesori standard. Item mungkin berbeza mengikut negara.

THÔNG SỐ KỸ THUẬT

Kiểu máy:	LM003J	LM004J	
Chiều rộng cắt cỏ (đường kính lưỡi cắt)	480 mm	534 mm	
Tốc độ không tải	Chế độ bình thường	3.200 min ⁻¹	2.800 min ⁻¹
	Chế độ êm khi không tải	2.500 - 3.200 min ⁻¹	2.300 - 2.800 min ⁻¹
	Chế độ giảm tiếng ồn	2.500 min ⁻¹	2.300 min ⁻¹
Số bộ phận của lưỡi cắt cỏ thay thế	Lưỡi cắt cỏ thẳng	191V97-3	191V96-5
	Lưỡi cắt cỏ thẳng *1	-	191W87-2
	Lưỡi cắt phủ bụi	191Y64-6	191Y65-4
Kích thước (Dài x Rộng x Cao)	trong quá trình vận hành	Dài: 1.670 mm đến 1.745 mm Rộng: 550 mm Cao: 965 mm đến 1.075 mm	Dài: 1.740 mm đến 1.810 mm Rộng: 595 mm Cao: 970 mm đến 1.080 mm
	khi cất giữ (không có giỏ đựng cỏ)	585 mm x 550 mm x 900 mm	580 mm x 595 mm x 930 mm
Tốc độ di chuyển	1,5 - 6,5 km/h		
Điện áp định mức	D.C. 57,6 V - tối đa 64 V		
Khối lượng tịnh	30,9 - 33,8 kg	31,5 - 34,6 kg	
Cấp bảo vệ	IPX4		

*1. Lưỡi cắt cỏ để thu gom cỏ hiệu quả hơn.

- Do chương trình nghiên cứu và phát triển liên tục của chúng tôi nên các thông số kỹ thuật trong đây có thể thay đổi mà không cần thông báo trước.
- Các thông số kỹ thuật có thể thay đổi tùy theo từng quốc gia.
- Khối lượng có thể khác nhau tùy thuộc vào (các) phụ kiện, bao gồm cả hộp pin. Tổ hợp nhẹ nhất và nặng nhất, theo Quy trình EPTA 01/2014, được trình bày trong bảng.

Hộp pin và sạc pin có thể áp dụng

Hộp pin	BL6440
Bộ sạc	DC64WA

- Một số hộp pin và sạc pin được nêu trong danh sách ở trên có thể không khả dụng tùy thuộc vào khu vực cư trú của bạn.

⚠ CẢNH BÁO: Chỉ sử dụng hộp pin và sạc pin được nêu trong danh sách ở trên. Việc sử dụng bất cứ hộp pin và sạc pin nào khác có thể gây ra thương tích và/hoặc hỏa hoạn.

Ký hiệu

Phần dưới đây cho biết các ký hiệu có thể được dùng cho thiết bị. Đảm bảo rằng bạn hiểu rõ ý nghĩa của các ký hiệu này trước khi sử dụng.



Không được tiếp xúc với hơi ấm.



Hãy cẩn thận và đặc biệt chú ý.



Đọc tài liệu hướng dẫn.



Nguy hiểm; chú ý các đối tượng bị ném.



Khoảng cách giữa dụng cụ và người xung quanh ít nhất phải là 15 m.



Tuyệt đối không để tay và chân của bạn gần lưỡi cắt cỏ bên dưới máy cắt cỏ. Lưỡi cắt cỏ vẫn tiếp tục quay sau khi tắt động cơ.



Cảnh báo; Ngắt kết nối pin trước khi bảo dưỡng.



Nguy hiểm về điện. Tiếp xúc với nước có thể gây điện giật.



Không làm đổ nước.



Ni-MH
Li-ion

Chỉ dành cho các quốc gia EU
Do có các thành phần nguy hiểm bên trong thiết bị điện và điện tử, ắc quy và pin thải bỏ nên có thể có tác động không tốt đến môi trường và sức khỏe con người. Không vứt bỏ các thiết bị điện và điện tử hoặc pin với rác thải sinh hoạt!
Theo Chỉ thị của Châu Âu về thiết bị điện và điện tử thải bỏ và về pin và ắc quy và pin và ắc quy thải bỏ, cũng như sự thích ứng của chúng với luật pháp quốc gia, các thiết bị điện, pin và ắc quy thải phải được cất giữ riêng biệt và chuyển đến một điểm thu gom rác thải đô thị riêng, hoạt động theo các quy định về bảo vệ môi trường. Điều này được biểu thị bằng biểu tượng thùng rác có bánh xe gạch chéo được đặt trên thiết bị.



Mức công suất âm thanh được đảm bảo theo Chỉ thị về tiếng ồn ngoài trời của EU.



Mức công suất âm thanh theo Quy định kiểm soát tiếng ồn NSW của Úc

Mục đích sử dụng

Máy này được dùng để cắt cỏ.

CẢNH BÁO AN TOÀN

Cảnh báo an toàn chung dành cho dụng cụ máy

⚠CẢNH BÁO Vui lòng đọc tất cả các cảnh báo an toàn, hướng dẫn, minh họa và thông số kỹ thuật đi kèm với dụng cụ máy này. Việc không tuân theo tất cả các hướng dẫn được liệt kê dưới đây có thể dẫn đến điện giật, hỏa hoạn và/hoặc thương tích nghiêm trọng.

Lưu giữ tất cả cảnh báo và hướng dẫn để tham khảo sau này.

Thuật ngữ “dụng cụ máy” trong các cảnh báo đề cập đến dụng cụ máy (có dây) được vận hành bằng nguồn điện chính hoặc dụng cụ máy (không dây) được vận hành bằng pin của bạn.

An toàn tại nơi làm việc

- Giữ nơi làm việc sạch sẽ và có đủ ánh sáng.** Nơi làm việc bừa bộn hoặc tối thường dễ gây ra tai nạn.
- Không vận hành dụng cụ máy trong môi trường cháy nổ, ví dụ như môi trường có sự hiện diện của các chất lỏng, khí hoặc bụi dễ cháy.** Các dụng cụ máy tạo tia lửa điện có thể dẫn đến bụi hoặc khí bốc cháy.
- Giữ trẻ em và người ngoài tránh xa nơi làm việc khi đang vận hành dụng cụ máy.** Sự xao lãng có thể khiến bạn mất khả năng kiểm soát.

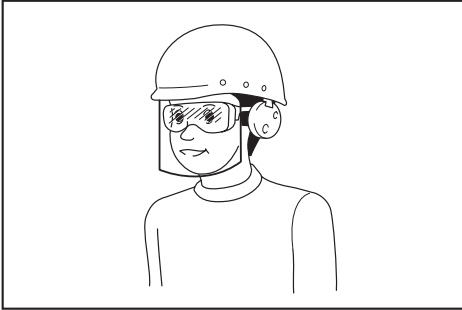
An toàn về Điện

- Phích cắm của dụng cụ máy phải khớp với ổ cắm. Không được sửa đổi phích cắm theo bất kỳ cách nào. Không sử dụng bất kỳ phích chuyển đổi nào với các dụng cụ máy được nối đất (tiếp đất).** Các phích cắm còn nguyên vẹn và ổ cắm phù hợp sẽ giảm nguy cơ điện giật.
- Tránh để cơ thể tiếp xúc với các bề mặt nóng đất hoặc tiếp đất như đường ống, bộ tản nhiệt, bếp ga và tủ lạnh.** Nguy cơ bị điện giật sẽ tăng lên nếu cơ thể bạn được nối đất hoặc tiếp đất.
- Không để dụng cụ máy tiếp xúc với mưa hoặc trong điều kiện ẩm ướt.** Nước lọt vào dụng cụ máy sẽ làm tăng nguy cơ điện giật.
- Không lạm dụng dây điện. Không được phép sử dụng dây để mang, kéo hoặc tháo phích cắm dụng cụ máy. Giữ dây tránh xa nguồn nhiệt, dầu, các mép sắc hoặc các bộ phận chuyển động.** Dây bị hỏng hoặc bị rối sẽ làm tăng nguy cơ điện giật.
- Khi vận hành dụng cụ máy ngoài trời, hãy sử dụng dây kéo dài phù hợp cho việc sử dụng ngoài trời.** Việc dùng dây phù hợp cho việc sử dụng ngoài trời sẽ giảm nguy cơ điện giật.
- Nếu bắt buộc phải vận hành dụng cụ máy ở nơi ẩm ướt, hãy sử dụng nguồn cấp điện được bảo vệ bằng thiết bị ngắt dòng điện rò (RCD).** Việc sử dụng RCD sẽ làm giảm nguy cơ điện giật.
- Các dụng cụ máy có thể tạo ra từ trường điện (EMF) có hại cho người dùng.** Tuy nhiên, người dùng máy trợ tim và những thiết bị y tế tương tự khác nên liên hệ với nhà sản xuất thiết bị và/hoặc bác sĩ để được tư vấn trước khi vận hành dụng cụ này.

An toàn Cá nhân

- Luôn tỉnh táo, quan sát những việc bạn đang làm và sử dụng những phán đoán theo kinh nghiệm khi vận hành dụng cụ máy. Không sử dụng dụng cụ máy khi bạn đang mệt mỏi hoặc chịu ảnh hưởng của ma túy, rượu hay thuốc.** Chỉ một khoảnh khắc không tập trung khi đang vận hành dụng cụ máy cũng có thể dẫn đến thương tích cá nhân nghiêm trọng.
- Sử dụng thiết bị bảo hộ cá nhân. Luôn đeo thiết bị bảo vệ mắt.** Các thiết bị bảo hộ như mặt nạ chống bụi, giày an toàn chống trượt, mũ bảo hộ hay thiết bị bảo vệ thính giác được sử dụng trong các điều kiện thích hợp sẽ giúp giảm thương tích cá nhân.
- Tránh vô tình khởi động dụng cụ máy. Đảm bảo công tắc ở vị trí off (tắt) trước khi nối nguồn điện và/hoặc bộ pin, cầm hoặc di chuyển dụng cụ máy.** Việc di chuyển dụng cụ máy khi đang đặt ngón tay ở vị trí công tắc hoặc cấp điện cho dụng cụ máy đang bật thường dễ gây ra tai nạn.
- Tháo tất cả các khóa hoặc cờ lê điều chỉnh trước khi bật dụng cụ máy.** Việc cờ lê hoặc khóa vẫn còn gắn vào bộ phận quay của dụng cụ máy có thể dẫn đến thương tích cá nhân.
- Không với quá cao. Luôn giữ thăng bằng tốt và có chỗ để chân phù hợp.** Điều này cho phép điều khiển dụng cụ máy tốt hơn trong những tình huống bất ngờ.

6. **Ăn mặc phù hợp. Không mặc quần áo rộng hay đeo đồ trang sức. Giữ tóc và quần áo tránh xa các bộ phận chuyển động.** Quần áo rộng, đồ trang sức hay tóc dài có thể mắc vào các bộ phận chuyển động.
7. **Nếu các thiết bị được cung cấp để kết nối các thiết bị thu gom và hút bụi, hãy đảm bảo chúng được kết nối và sử dụng hợp lý.** Việc sử dụng thiết bị thu gom bụi có thể làm giảm những mối nguy hiểm liên quan đến bụi.
8. **Không vì quen thuộc do thường xuyên sử dụng các dụng cụ mà cho phép bạn trở nên tự mãn và bỏ qua các nguyên tắc an toàn dụng cụ.** Một hành động bất cẩn có thể gây ra thương tích nghiêm trọng trong một phần của một giây.
9. **Luôn luôn mang kính bảo hộ để bảo vệ mắt khỏi bị thương khi đang sử dụng các dụng cụ máy. Kính bảo hộ phải tuân thủ ANSI Z87.1 ở Mỹ, EN 166 ở Châu Âu, hoặc AS/NZS 1336 ở Úc/New Zealand. Tại Úc/New Zealand, theo luật pháp, bạn cũng phải mang mặt nạ che mặt để bảo vệ mặt.**



Trách nhiệm của chủ lao động là bắt buộc người vận hành dụng cụ và những người khác trong khu vực làm việc cạnh đó phải sử dụng các thiết bị bảo hộ an toàn thích hợp.

Sử dụng và bảo quản dụng cụ máy

1. **Không dùng lực đối với dụng cụ máy. Sử dụng đúng dụng cụ máy cho công việc của bạn.** Sử dụng đúng dụng cụ máy sẽ giúp thực hiện công việc tốt hơn và an toàn hơn theo giá trị định mức được thiết kế của dụng cụ máy đó.
2. **Không sử dụng dụng cụ máy nếu công tắc không bật và tắt được dụng cụ máy đó.** Mọi dụng cụ máy không thể điều khiển được bằng công tắc đều rất nguy hiểm và phải được sửa chữa.
3. **Rút phích cắm ra khỏi nguồn điện và/hoặc tháo kết nối bộ pin khỏi dụng cụ máy, nếu có thể tháo rời trước khi thực hiện bất kỳ công việc điều chỉnh, thay đổi phụ tùng hay cất giữ dụng cụ máy nào.** Những biện pháp an toàn phòng ngừa này sẽ giảm nguy cơ vô tình khởi động dụng cụ máy.
4. **Cất giữ các dụng cụ máy không sử dụng ngoài tầm với của trẻ em và không cho bất kỳ người nào không có hiểu biết về dụng cụ máy hoặc các hướng dẫn này vận hành dụng cụ máy.** Dụng cụ máy sẽ rất nguy hiểm nếu được sử dụng bởi những người dùng chưa qua đào tạo.

5. **Bảo dưỡng dụng cụ máy và các phụ kiện. Kiểm tra tình trạng lịch trực hoặc bố kẹp của các bộ phận chuyển động, hiện tượng nứt vỡ của các bộ phận và mọi tình trạng khác mà có thể ảnh hưởng đến hoạt động của dụng cụ máy. Nếu có hỏng hóc, hãy sửa chữa dụng cụ máy trước khi sử dụng.** Nhiều tai nạn xảy ra là do không bảo quản tốt dụng cụ máy.
6. **Luôn giữ cho dụng cụ cắt được sắc bén và sạch sẽ.** Những dụng cụ cắt được bảo quản tốt có mép cắt sắc sẽ ít bị kẹt hơn và dễ điều khiển hơn.
7. **Sử dụng dụng cụ máy, phụ tùng và đầu dụng cụ cắt, v.v... theo các hướng dẫn này, có tính đến điều kiện làm việc và công việc được thực hiện.** Việc sử dụng dụng cụ máy cho các công việc khác với công việc dự định có thể gây nguy hiểm.
8. **Giữ tay cầm và bề mặt tay cầm khô, sạch, không dính dầu và mỡ.** Tay cầm trơn trượt và bề mặt tay cầm không cho phép xử lý an toàn và kiểm soát dụng cụ trong các tình huống bất ngờ.
9. **Khi sử dụng dụng cụ, không được đi giày tay lao động bằng vải, có thể bị vướng.** Việc giày tay lao động bằng vải vướng vào các bộ phận chuyển động có thể gây ra thương tích cá nhân.

Sử dụng và bảo quản dụng cụ dùng pin

1. **Chỉ sạc pin lại với bộ sạc do nhà sản xuất quy định.** Bộ sạc phù hợp với một loại bộ pin này có thể gây ra nguy cơ hỏa hoạn khi được dùng cho một bộ pin khác.
2. **Chỉ sử dụng các dụng cụ máy với các bộ pin được quy định cụ thể.** Việc sử dụng bất cứ bộ pin nào khác có thể gây ra thương tích và hỏa hoạn.
3. **Khi không sử dụng bộ pin, hãy giữ tránh xa các đồ vật khác bằng kim loại, chẳng hạn như kẹp giấy, tiền xu, chìa khóa, đinh, ốc vít hoặc các vật nhỏ bằng kim loại mà có thể làm nối tất các đầu cực pin.** Các đầu cực pin bị đoản mạch có thể gây cháy hoặc hỏa hoạn.
4. **Trong điều kiện sử dụng quá mức, pin có thể bị chảy nước; hãy tránh tiếp xúc. Nếu vô tình tiếp xúc với pin bị chảy nước, hãy rửa sạch bằng nước. Nếu dung dịch từ pin tiếp xúc với mắt, cần đi khám bác sĩ thêm.** Dung dịch chảy ra từ pin có thể gây rát da hoặc bỏng.
5. **Không sử dụng bộ pin hoặc dụng cụ bị hư hỏng hoặc đã bị sửa đổi.** Pin đã bị hư hỏng hoặc đã bị sửa đổi có thể hành động theo cách không thể đoán trước dẫn đến cháy, nổ hoặc nguy cơ chấn thương.
6. **Không để bộ pin hoặc dụng cụ tiếp xúc với lửa hoặc nhiệt độ quá cao.** Tiếp xúc với lửa hoặc nhiệt độ trên 130 °C có thể gây ra cháy nổ.
7. **Làm theo tất cả các hướng dẫn sạc pin và không được sạc bộ pin hoặc dụng cụ vượt giới hạn nhiệt độ quy định trong hướng dẫn.** Sạc pin không đúng hoặc ở nhiệt độ vượt giới hạn nhiệt độ có thể gây hư hỏng cho pin và làm tăng nguy cơ cháy.

Bảo dưỡng

1. **Đề nhân viên sửa chữa đủ trình độ bảo dưỡng dụng cụ máy của bạn và chỉ sử dụng các bộ phận thay thế đồng nhất.** Việc này sẽ đảm bảo duy trì được độ an toàn của dụng cụ máy.
2. **Không bao giờ sử dụng bộ pin đã hỏng.** Dịch vụ bảo hành bộ pin chỉ nên thực hiện bởi nhà sản xuất hoặc các nhà cung cấp dịch vụ được ủy quyền.
3. **Tuân theo hướng dẫn dành cho việc bôi trơn và thay phụ tùng.**

Cảnh Báo An Toàn Đối Với Máy Cắt Cỏ Đầy Cảm Tay Hoạt Động Bằng Pin

1. **Không sử dụng máy cắt cỏ trong điều kiện thời tiết xấu, đặc biệt là khi có nguy cơ sấm sét.** Việc này sẽ làm giảm được nguy cơ bị sét đánh.
2. **Kiểm tra kỹ lưỡng khu vực dành cho động vật và thực vật hoang dã nơi sẽ sử dụng máy cắt cỏ.** Động vật và thực vật hoang dã có thể bị thương bởi máy cắt cỏ trong quá trình hoạt động.
3. **Kiểm tra kỹ lưỡng khu vực nơi sẽ sử dụng máy cắt cỏ và loại bỏ tất cả đá, que, dây kim loại, xương và các vật lạ khác.** Các vật bị bắn văng ra có thể gây thương tích cá nhân.
4. **Trước khi sử dụng máy cắt cỏ, luôn kiểm tra bằng mắt để thấy rằng lưỡi cắt và bộ lắp ráp lưỡi cắt không bị mòn hoặc hư hỏng.** Các bộ phận bị mòn hoặc hư hỏng sẽ làm tăng nguy cơ thương tích.
5. **Thường xuyên kiểm tra bộ thu gom có bị mòn hoặc xuống cấp không.** Bộ thu gom có bị mòn hoặc hư hỏng có thể làm tăng nguy cơ thương tích cá nhân.
6. **Giữ phần bảo vệ đúng vị trí. Phần bảo vệ phải được giữ đúng vị trí làm việc và gắn đúng cách.** Phần bảo vệ bị lỏng, hư hỏng hoặc không hoạt động chính xác có thể dẫn đến thương tích cá nhân.
7. **Giữ cho tất cả ngõ hút khí làm mát vào không bị vướng mảnh vụn.** Ngõ hút khí và mảnh vụn bị tắc có thể dẫn đến quá nhiệt hoặc nguy cơ hỏa hoạn.
8. **Trong khi vận hành máy cắt cỏ, luôn mang giày bảo hộ chống trượt.** Không vận hành máy cắt cỏ khi chân trần hoặc mang dép không cài quai. Điều này làm giảm nguy cơ thương tích cho bàn chân khi tiếp xúc với lưỡi cắt đang chuyển động.
9. **Trong khi vận hành máy cắt cỏ, luôn mặc quần dài.** Da lộ ra làm tăng khả năng thương tích từ các vật bị bắn văng ra.
10. **Không vận hành máy cắt cỏ trên cỏ ướt. Chỉ đi bộ, không được chạy.** Điều này làm giảm nguy cơ trượt và rơi có thể dẫn đến thương tích cá nhân.
11. **Không vận hành máy cắt cỏ trên sườn dốc quá mức.** Điều này giúp giảm nguy cơ mất kiểm soát, trượt và rơi dẫn đến gây thương tích cho con người.

12. **Khi làm việc trên sườn dốc, luôn đảm bảo chỗ để chân của bạn, luôn làm việc ngang qua bề mặt dốc, tuyệt đối không hướng lên hoặc xuống và phải hết sức cân trọng khi thay đổi hướng.** Điều này giúp giảm nguy cơ mất kiểm soát, trượt và rơi dẫn đến gây thương tích cho con người.
13. **Đặc biệt cẩn trọng khi lùi hoặc kéo máy cắt cỏ về phía bạn.** Luôn chú ý đến môi trường xung quanh bạn. Điều này làm giảm nguy cơ vấp ngã trong quá trình vận hành.
14. **Không chạm vào lưỡi cắt và các bộ phận chuyển động nguy hiểm khác khi chúng vẫn đang chuyển động.** Điều này làm giảm nguy cơ thương tích do các bộ phận chuyển động.
15. **Khi loại bỏ vật liệu bị kẹt hoặc vệ sinh máy cắt cỏ, đảm bảo tắt cả công tắc nguồn đều tắt và ngắt kết nối bộ pin.** Máy cắt cỏ đột ngột vận hành có thể dẫn đến thương tích cá nhân nghiêm trọng.

LƯU GIỮ CÁC HƯỚNG DẪN NÀY.

⚠ CẢNH BÁO: KHÔNG vì đã thoải mái hay quen thuộc với sản phẩm (có được do sử dụng nhiều lần) mà không tuân thủ nghiêm ngặt các quy định về an toàn dành cho sản phẩm này.

VIỆC DÙNG SAI hoặc không tuân theo các quy định về an toàn được nêu trong tài liệu hướng dẫn này có thể dẫn đến thương tích cá nhân nghiêm trọng.

CÁC HƯỚNG DẪN AN TOÀN QUAN TRỌNG

⚠ CẢNH BÁO: Đọc tất cả các cảnh báo an toàn và tất cả hướng dẫn. Việc không tuân theo các cảnh báo và hướng dẫn có thể dẫn đến điện giật, hỏa hoạn và/hoặc thương tích nghiêm trọng.

Lưu giữ tất cả cảnh báo và hướng dẫn để tham khảo sau này.

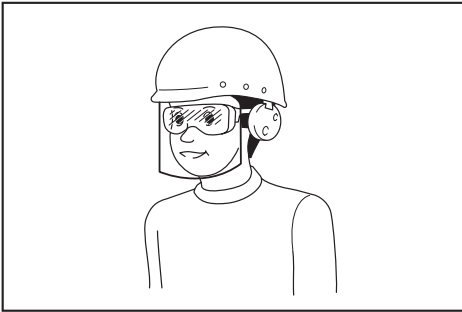
Hướng dẫn

1. Đọc hướng dẫn cẩn thận. Làm quen với việc điều khiển và cách sử dụng máy cắt cỏ đúng cách.
2. Không bao giờ cho phép trẻ em hoặc những người không có hiểu biết về các hướng dẫn này sử dụng xe cắt cỏ. Các quy định của địa phương có thể hạn chế độ tuổi của người vận hành.
3. Không bao giờ vận hành xe cắt cỏ này khi có người, đặc biệt là trẻ em hoặc thú cưng ở gần.
4. Hãy nhớ rằng người vận hành hoặc người sử dụng phải chịu trách nhiệm về tai nạn hoặc nguy hiểm xảy ra cho người khác hoặc tài sản của họ.
5. Trẻ em cần được giám sát để đảm bảo rằng chúng sẽ không nghịch xe cắt cỏ.

- Điều kiện thể chất - Không vận hành xe cắt cỏ khi đang chịu ảnh hưởng của ma túy, rượu hoặc bất kỳ loại thuốc nào.

Chuẩn bị

- Trong khi vận hành xe cắt cỏ, luôn mang giày đủ tiêu chuẩn và quần dài. Không vận hành xe cắt cỏ khi chân trần hoặc mang dép không cài quai. Tránh mặc quần áo rộng hoặc đeo trang sức lỏng lẻo hoặc những vật có dây treo hoặc nút buộc. Chúng có thể bị mắc kẹt vào các bộ phận di chuyển.
- Trước khi sử dụng, luôn kiểm tra bằng mắt xem máy cắt cỏ có bị hư hỏng, thiếu hay đặt sai phần bảo vệ hoặc tấm bảo vệ hay không.
- Đảm bảo khu vực cắt không có người khác trước khi cắt. Ngừng xe cắt cỏ nếu có bất kỳ ai đi vào khu vực cắt cỏ.
- Luôn luôn mang kính bảo hộ để bảo vệ mắt khỏi bị thương khi đang sử dụng các dụng cụ máy. Kính bảo hộ phải tuân thủ ANSI Z87.1 ở Mỹ, EN 166 ở Châu Âu, hoặc AS/NZS 1336 ở Úc/New Zealand. Tại Úc/New Zealand, theo luật pháp, bạn cũng phải mang mặt nạ che mặt để bảo vệ mặt.



Trách nhiệm của chủ động là bắt buộc người vận hành dụng cụ và những người khác trong khu vực làm việc cạnh đó phải sử dụng các thiết bị bảo hộ an toàn thích hợp.

- Kiểm tra các lưới cắt hoặc bu lông lưới cắt cẩn thận máy có bị nứt hoặc hư hỏng gì không trước khi vận hành. Thay thế các lưới cắt hoặc bu lông lưới cắt bị nứt hoặc hư hỏng ngay lập tức.
- Loại bỏ các ngoại vật như đá, dây điện, chai lọ, xương và các cành cây lớn khỏi khu vực làm việc trước khi cắt để tránh thương tích cá nhân hoặc làm hỏng xe cắt cỏ.
- Các vật do lưới cắt cỏ cắt văng ra có thể gây thương tích nghiêm trọng cho con người. Bãi cỏ luôn cần được kiểm tra cẩn thận và dọn sạch tất cả các đồ vật trước mỗi lần cắt cỏ.
- Cẩn thận với các lỗ, vết lõm, chỗ lồi lên, đá hoặc các vật bị khuất khác. Địa hình không bằng phẳng có thể gây ra tai nạn trượt ngã. Cỏ cao có thể che khuất các vật cản.

- Sử dụng thiết bị bảo hộ cá nhân. Luôn đeo thiết bị bảo vệ mắt. Các thiết bị bảo hộ như mặt nạ chống bụi, giày an toàn chống trượt, mũ bảo hộ hay thiết bị bảo vệ thính giác được sử dụng trong các điều kiện thích hợp sẽ giúp giảm thương tích cá nhân.

Vận hành

- Không với quá cao. Luôn giữ thăng bằng tại mọi thời điểm. Luôn đảm bảo chỗ để chân trên mặt nghiêng. Chỉ đi bộ, không được chạy.
- Dừng máy cắt cỏ, tắt máy và đảm bảo tất cả bộ phận chuyển động phải chuyển sang trạng thái dừng hoàn toàn:
 - bất cứ khi nào bạn rời khỏi xe cắt cỏ,
 - trước khi làm thông chỗ tắc nghẽn hoặc tháo máng chắn,
 - trước khi kiểm tra, làm sạch hoặc làm việc trên xe cắt cỏ,
 - sau khi gỡ bỏ ngoại vật. Kiểm tra hư hỏng của máy cắt cỏ và sửa chữa trước khi khởi động lại và vận hành máy cắt cỏ,
 - bất cứ khi nào máy cắt cỏ bắt đầu rung chấn bất thường.
- Không bao giờ vận hành xe cắt cỏ với phần bảo vệ hoặc tấm bảo vệ hông, hoặc không có thiết bị an toàn, ví dụ như tấm chắn và/hoặc giỏ đựng cỏ ở đúng vị trí.
- Tránh sử dụng máy cắt cỏ trong điều kiện thời tiết xấu, đặc biệt là khi có nguy cơ sấm sét.
- Đeo dụng cụ bảo vệ mắt và mang giày bền chắc tại mọi thời điểm trong khi vận hành máy cắt cỏ.
- Chỉ vận hành xe cắt cỏ vào ban ngày hoặc trong điều kiện ánh sáng nhân tạo tốt.
- Bật xe cắt cỏ cẩn thận theo hướng dẫn và với chân luôn cách xa khỏi (cắt) lưỡi cắt.
- Hãy cẩn thận để không làm tổn thương chân và tay do lưỡi cắt cỏ.
- Luôn đảm bảo rằng các lỗ mờ thông gió không có mảnh vụn.
- Cắt ngang mặt nghiêng, không bao giờ đưa lên xuống. Đặc biệt thận trọng khi thay đổi hướng trên mặt nghiêng. Không cắt quá lâu trên mặt nghiêng đứng.
- Đặc biệt cẩn trọng khi lùi hoặc kéo xe cắt cỏ về phía bạn.
- Ngừng (các) lưới cắt nếu xe cắt cỏ cần phải đặt nghiêng để vận chuyển khi đi qua các bề mặt không phải cỏ, và khi vận chuyển xe cắt cỏ đến và từ khu vực được sử dụng.
- Không nghiêng máy cắt cỏ khi bật động cơ, trừ khi máy cắt cỏ cần phải đặt nghiêng để khởi động. Trong trường hợp này, không nghiêng nếu không hoàn toàn cần thiết và chỉ nâng bộ phận cách xa người vận hành. Luôn đảm bảo rằng cả hai tay đang ở vị trí vận hành trước khi đưa máy cắt cỏ xuống đất.
- Không để tay hoặc chân ở gần hoặc ở dưới các bộ phận đang quay. Giữ sạch cửa xả tại mọi thời điểm.
- Không vận chuyển xe cắt cỏ trong khi bật xe cắt cỏ.
- Tránh vận hành xe cắt cỏ trên cỏ ướt.
- Luôn cầm chặt tay nắm.

18. Không cầm nắm lưới cắt lợ ra hoặc cạnh lưới cắt khi nhấc lên hoặc cầm xe cắt cỏ.
19. Giữ tay và chân tránh xa lưới cắt đang quay. **Cẩn trọng - Lưới cắt chạy theo đà quán tính sau khi tắt xe cắt cỏ.**
20. Ngừng vận hành ngay lập tức nếu bạn nhận thấy bất cứ điều gì khác thường. Tắt máy cắt cỏ. Sau đó kiểm tra máy cắt cỏ.
21. Nếu máy cắt cỏ có tính năng điều chỉnh chiều cao cắt, không được cố điều chỉnh chiều cao cắt trong khi máy cắt cỏ đang quay.
22. Nhả cần công tắc và đợi vòng quay lưới cắt dừng lại trước khi băng qua lối đi, đường đi, con đường, và bất kỳ khu vực rải sỏi nào. Ngoài ra cũng phải tắt máy nếu bạn rời khỏi máy cắt cỏ, tiếp cận để nhấc hoặc lấy vật gì đó ra khỏi đường đi của bạn, hoặc vì bất kỳ lý do nào khác có thể làm bạn xao lãng khỏi những việc bạn đang làm.
23. Nếu xe cắt cỏ va phải ngoại vật, làm theo các bước sau:
 - Ngừng xe cắt cỏ, nhả cần công tắc và chờ đến khi lưới cắt dừng hoàn toàn.
 - Tháo hộp pin.
 - Kiểm tra cẩn thận mọi hư hỏng của xe cắt cỏ.
 - Thay thế lưới cắt nếu bị hư hỏng dưới bất kỳ hình thức nào. Sửa chữa mọi hư hỏng trước khi khởi động lại và tiếp tục vận hành xe cắt cỏ.
24. Không khởi động xe cắt cỏ khi đứng trước cửa xả.
25. Nếu xe cắt cỏ bắt đầu rung bất thường (kiểm tra ngay lập tức)
 - kiểm tra hư hỏng,
 - thay thế hoặc sửa chữa các bộ phận bị hỏng,
 - kiểm tra và vận chặt các bộ phận bị lỏng.
26. Tuyệt đối không hướng vật liệu xả về phía bất kỳ ai. Tránh xả vật liệu vào tường hoặc vật cản. Vật liệu có thể nảy bật lại về phía người vận hành. Dừng lưới cắt khi đi qua bề mặt có sỏi.
27. Không kéo máy cắt cỏ về phía sau trừ khi thật cần thiết. Khi bạn buộc phải không chế máy cắt cỏ từ hàng rào hoặc vật cản tương tự khác, hãy nhìn xuống dưới và phía sau trước và trong khi di chuyển về phía sau.
28. Tắt động cơ và đợi cho đến khi lưới cắt cỏ dừng hẳn trước khi tháo bộ thu gom cỏ. Để phòng lưới cắt chạy theo đà quán tính sau khi tắt.
29. Khi bạn sử dụng máy trên mặt đất bùn lầy, sườn dốc ẩm ướt, hoặc nơi trơn trượt, hãy chú ý đến chỗ để chân của bạn.
30. Không nhúng máy vào vũng nước.
31. Khi vận hành máy, hãy chú ý đến đường ống và dây dẫn.

Bảo dưỡng và cất giữ

1. Thay thế các bộ phận bị mòn hoặc bị hỏng để an toàn. Chỉ sử dụng phụ tùng và các bộ phận thay thế chính hãng.
2. Kiểm tra và bảo dưỡng máy cắt cỏ thường xuyên.
3. Khi không sử dụng, cất giữ máy cắt cỏ ngoài tầm với trẻ em.

4. Giữ cho tất cả các đai ốc, bu-lông, ốc vít đều vận chặt để đảm bảo thiết bị ở trong điều kiện làm việc an toàn.
5. Thường xuyên kiểm tra giò đưng có xem có bị mòn hay xuống cấp không. Đối với việc cất giữ, luôn đảm bảo giò đưng có rỗng. Thay thế giò đưng có đã mòn bằng thiết bị thay thế nhà máy mới để an toàn.
6. Chỉ sử dụng các lưới cắt chính hãng của nhà sản xuất được quy định trong sách hướng dẫn này.
7. Cẩn thận khi điều chỉnh xe cắt cỏ để tránh kẹt các ngón tay ở giữa lưới cắt đang di chuyển và các bộ phận cố định của xe cắt cỏ.
8. Thường xuyên kiểm tra bu-lông gắn lưới cắt xem có vận chặt đúng cách không.
9. Luôn để cho xe cắt cỏ nguội trước khi cất giữ.
10. Khi bảo trì lưới cắt phải nhận thức rằng, mặc dù nguồn điện đã được tắt, lưới cắt vẫn có thể di chuyển được.
11. Tuyệt đối không tháo hoặc làm thay đổi các thiết bị an toàn. Kiểm tra việc vận hành đúng cách của các thiết bị này thường xuyên. Tuyệt đối không làm bất cứ việc gì để can thiệp vào chức năng như được thiết kế của thiết bị an toàn hoặc để giảm sự bảo vệ do thiết bị an toàn đem đến.
12. Không để máy ngoài trời mà không có người giám sát dưới trời mưa.
13. Khi cất giữ máy, tránh ánh nắng trực tiếp và mưa, cất giữ ở nơi không nóng hoặc ẩm ướt.

Sử dụng và bảo quản dụng cụ dùng pin

1. Chỉ sạc pin lại với bộ sạc do nhà sản xuất quy định. Bộ sạc phù hợp với một loại bộ pin này có thể gây ra nguy cơ hỏa hoạn khi được dùng cho một bộ pin khác.
2. Chỉ sử dụng các dụng cụ máy với các bộ pin được quy định cụ thể. Việc sử dụng bất cứ bộ pin nào khác có thể gây ra thương tích và hỏa hoạn.
3. Khi không sử dụng bộ pin, hãy giữ tránh xa các đồ vật khác bằng kim loại, chẳng hạn như kẹp giấy, tiền xu, chìa khóa, đinh, ốc vít hoặc các vật nhỏ bằng kim loại mà có thể làm nổi tất cả các đầu cực pin. Các đầu cực pin bị đoản mạch có thể gây cháy hoặc hỏa hoạn.
4. Trong điều kiện sử dụng quá mức, pin có thể bị chảy nước; hãy tránh tiếp xúc. Nếu vô tình tiếp xúc với pin bị chảy nước, hãy rửa sạch bằng nước. Nếu dung dịch từ pin tiếp xúc với mắt, cần đi khám bác sĩ thêm. Dung dịch chảy ra từ pin có thể gây rát da hoặc bỏng.
5. Không sử dụng bộ pin hoặc dụng cụ bị hư hỏng hoặc đã bị sửa đổi. Pin đã bị hư hỏng hoặc đã bị sửa đổi có thể hành động theo cách không thể đoán trước dẫn đến cháy, nổ hoặc nguy cơ chấn thương.
6. Không để bộ pin hoặc dụng cụ tiếp xúc với lửa hoặc nhiệt độ quá cao. Tiếp xúc với lửa hoặc nhiệt độ trên 130 °C có thể gây ra cháy nổ.

- Làm theo tất cả các hướng dẫn sạc pin và không được sạc bộ pin hoặc dụng cụ vượt giới hạn nhiệt độ quy định trong hướng dẫn. Sạc pin không đúng hoặc ở nhiệt độ vượt giới hạn nhiệt độ có thể gây hư hỏng cho pin và làm tăng nguy cơ cháy.

An toàn về điện và pin

- Không tháo bỏ (các) viên pin vào lửa. Viên pin có thể phát nổ. Kiểm tra bằng mã địa phương để biết hướng dẫn tháo bỏ đặc biệt nếu có.
- Không mờ hay cắt xén (các) viên pin. Chất điện phân thải ra có tính ăn mòn và có thể gây tổn thương cho mắt hoặc da. Có thể độc hại nếu nuốt phải.
- Không sạc pin trong mưa, hoặc nơi ẩm ướt.
- Không sạc pin ở ngoài trời.
- Không thao tác bộ sạc, bao gồm phích cắm của bộ sạc, và điện cực của bộ sạc bằng tay ướt.
- Không thay pin dưới trời mưa.
- Không làm ướt điện cực của pin bằng chất lỏng ví dụ như nước, hoặc nhấn chìm pin. Không để pin dưới trời mưa, không sạc, sử dụng, hoặc cất giữ pin ở nơi ẩm hoặc ướt. Nếu điện cực bị ướt hoặc có chất lỏng lọt vào bên trong pin, pin có thể bị đoản mạch và có nguy cơ quá nhiệt, cháy hoặc nổ.
- Sau khi tháo pin ra khỏi máy hoặc bộ sạc, hãy đảm bảo đã gắn nắp đậy pin vào pin và cất giữ ở nơi khô ráo.
- Không thay pin bằng tay ướt.
- Tránh môi trường nguy hiểm. Không sử dụng máy tại những nơi bữa bột hoặc ẩm ướt hay dễ chạm tiếp xúc với mưa. Nước lọt vào máy sẽ làm tăng nguy cơ điện giật.
- Nếu hộp pin bị ướt, xả nước bên trong hộp pin sau đó lau bằng vải khô. Làm khô hộp pin hoàn toàn ở nơi khô ráo trước khi sử dụng.

Bảo dưỡng

- Để nhân viên sửa chữa đủ trình độ bảo dưỡng dụng cụ máy của bạn và chỉ sử dụng các bộ phận thay thế đồng nhất. Việc này sẽ đảm bảo duy trì được độ an toàn của dụng cụ máy.
- Không bao giờ sử dụng bộ pin đã hỏng. Dịch vụ bảo hành bộ pin chỉ nên thực hiện bởi nhà sản xuất hoặc các nhà cung cấp dịch vụ được ủy quyền.

LƯU GIỮ CÁC HƯỚNG DẪN NÀY.

⚠ CẢNH BÁO: KHÔNG vì đã thoải mái hay quen thuộc với sản phẩm (có được do sử dụng nhiều lần) mà không tuân thủ nghiêm ngặt các quy định về an toàn dành cho sản phẩm này.

VIỆC DÙNG SAI hoặc không tuân theo các quy định về an toàn được nêu trong tài liệu hướng dẫn này có thể dẫn đến thương tích cá nhân nghiêm trọng.

Hướng dẫn quan trọng về an toàn dành cho hộp pin

- Trước khi sử dụng hộp pin, hãy đọc kỹ tất cả các hướng dẫn và dấu hiệu cảnh báo trên (1) bộ sạc pin, (2) pin và (3) sản phẩm sử dụng pin.
- Không tháo rời hoặc làm thay đổi hộp pin. Việc này có thể dẫn đến hỏa hoạn, quá nhiệt hoặc nổ.
- Nếu thời gian vận hành ngắn hơn quá mức, hãy ngừng vận hành ngay lập tức. Điều này có thể dẫn đến rùi rò quá nhiệt, có thể gây bỏng và thậm chí là nổ.
- Nếu chất điện phân rơi vào mắt, hãy rửa sạch bằng nước sạch và đến cơ sở y tế ngay lập tức. Chất này có thể khiến bạn giảm thị lực.
- Không để hộp pin ở tình trạng đoản mạch:
 - Không chạm vào cực pin bằng vật liệu dẫn điện.
 - Tránh cất giữ hộp pin trong hộp có các vật kim loại khác như đinh, tiền xu, v.v...
 - Không được để hộp pin tiếp xúc với nước hoặc mưa.
 Đoản mạch pin có thể gây ra dòng điện lớn, quá nhiệt, có thể gây bỏng và thậm chí là hỏng hóc.
- Không cất giữ cũng như sử dụng dụng cụ và hộp pin ở nơi nhiệt độ có thể lên tới hoặc vượt quá 50 °C (122 °F).
- Không đốt hộp pin ngay cả khi hộp pin đã bị hư hại nặng hoặc hư hỏng hoàn toàn. Hộp pin có thể nổ khi tiếp xúc với lửa.
- Không đóng đinh, cắt, nghiền nát, ném, làm rơi hộp pin hoặc va vật cứng vào hộp pin. Làm như thế có thể dẫn đến hỏa hoạn, quá nhiệt hoặc nổ.
- Không sử dụng pin đã hỏng.
- Pin nén lithium-ion là đối tượng có yêu cầu bắt buộc theo Luật Hàng hoá Nguy hiểm. Đối với vận tải thương mại, ví dụ như vận tải do bên thứ ba, đại lý giao nhận, thì yêu cầu đặc biệt về đóng gói và nhãn ghi phải được giám sát. Để chuẩn bị cho mặt hàng cần vận chuyển, cần phải tham khảo ý kiến chuyên gia về vật liệu nguy hiểm. Nếu được, vui lòng tuân thủ các quy định quốc gia chi tiết hơn. Buộc hoặc niêm phong các tiếp điểm mở và đóng gói pin theo cách đó để nó không thể di chuyển trong bao bì.
- Khi vứt bỏ hộp pin, hãy tháo chúng khỏi dụng cụ và thải bỏ ở nơi an toàn. Phải tuân thủ theo các quy định của địa phương liên quan đến việc thải bỏ pin.
- Chỉ sử dụng pin cho các sản phẩm Makita chi định. Lắp pin vào sản phẩm không thích hợp có thể gây ra hỏa hoạn, quá nhiệt, nổ, hoặc rò chất điện phân.
- Nếu dụng cụ không được sử dụng trong một thời gian dài, cần phải tháo pin ra khỏi dụng cụ.
- Trong và sau khi sử dụng, hộp pin có thể bị nóng, có thể gây bỏng hoặc bỏng ở nhiệt độ thấp. Chú ý xử lý hộp pin nóng.

15. Không chạm vào điện cực của dụng cụ ngay sau khi sử dụng vì điện cực đủ nóng để gây bỏng.
16. Không để vụn bào, bụi hoặc đất bám vào các điện cực, lỗ và rãnh của hộp pin. Điều này có thể làm nóng, bắt lửa, nổ và gây trục trặc cho dụng cụ hoặc hộp pin, dẫn đến bỏng hoặc thương tích cá nhân.
17. Trừ khi dụng cụ hỗ trợ sử dụng gần đường dây điện cao thế, không sử dụng hộp pin gần đường dây điện cao thế. Việc này có thể dẫn đến trục trặc hoặc hỏng hóc dụng cụ hay hộp pin.
18. Giữ pin tránh xa trẻ em.

LƯU GIỮ CÁC HƯỚNG DẪN NÀY.

⚠ THẬN TRỌNG: Chỉ sử dụng pin Makita chính hãng. Việc sử dụng pin không chính hãng Makita, hoặc pin đã được sửa đổi, có thể dẫn đến nổ pin gây ra cháy, thương tích và thiệt hại cá nhân. Nó cũng sẽ làm mất hiệu lực bảo hành của Makita dành cho dụng cụ của Makita và bộ sạc.

Mẹo duy trì tuổi thọ tối đa cho pin

1. Sạc hộp pin trước khi pin bị xả điện hoàn toàn. Luôn dừng việc vận hành dụng cụ và sạc pin khi bạn nhận thấy công suất dụng cụ bị giảm.
2. Không được phép sạc lại một hộp pin đã được sạc đầy. Sạc quá mức sẽ làm giảm tuổi thọ của pin.
3. Sạc pin ở nhiệt độ phòng 10°C - 40°C. Để cho hộp pin nóng nguội lại dần trước khi sạc pin.
4. Khi không sử dụng hộp pin, hãy tháo hộp pin ra khỏi dụng cụ hoặc bộ sạc.
5. Sạc pin sáu tháng một lần nếu bạn không sử dụng dụng cụ trong một thời gian dài (hơn sáu tháng).

LẮP RÁP

⚠ CẢNH BÁO: Luôn đảm bảo rằng đã tháo các hộp pin ra trước khi thực hiện bất cứ công việc nào trên máy. Không tháo các hộp pin có thể dẫn đến thương tích cá nhân nghiêm trọng do vô tình khởi động máy.

⚠ CẢNH BÁO: Không bao giờ khởi động máy cắt cỏ trừ khi nó đã được lắp ráp hoàn chỉnh. Vận hành máy trong tình trạng chỉ được lắp ráp một phần có thể dẫn đến thương tích nghiêm trọng do vô tình khởi động máy.

Lắp tay nắm

CHÚ Ý: Khi lắp tay nắm, hãy cẩn thận để không bị kẹt dây giữa các tay nắm. Nếu dây bị hỏng, công tắc của máy cắt cỏ có thể không hoạt động.

1. Căn chỉnh lỗ ở tay nắm dưới với lỗ ở tay nắm trên, sau đó lắp bu lông từ bên ngoài, rồi vặn chặt đai ốc có tai vặn từ bên trong. Thực hiện quy trình giống như vậy ở bên còn lại.

► **Hình1:** 1. Bu lông 2. Đai ốc có tai vặn 3. Tay nắm dưới 4. Tay nắm trên

2. Xoay núm 90° trong khi kéo núm ở tay nắm dưới để nhà chốt khóa. Thực hiện quy trình giống như vậy ở bên còn lại. Nâng tay nắm lên, sau đó xoay núm ở cả hai bên 90°. Đảm bảo các núm được cố định chắc chắn.

► **Hình2:** 1. Núm

LƯU Ý: Việc đỡ tay cầm giúp nhà chốt khóa ra khi kéo núm để dàng hơn.

LƯU Ý: Khi xoay núm, hãy cẩn thận không để dây bị kẹt vào núm.

► **Hình3:** 1. Núm

Tháo chốt chặn phủ bụi

1. Mở nắp sau.

► **Hình4:** 1. Nắp sau

2. Nhấc nhẹ chốt chặn phủ bụi lên, sau đó tháo chốt ra.

► **Hình5:** 1. Chốt chặn phủ bụi

Lắp ráp giỏ đựng cỏ

1. Nhấc kẹp phía trên của giỏ đựng cỏ lên.

► **Hình6:** 1. Kẹp phía trên

2. Lắp khung vào giỏ đựng cỏ càng xa càng tốt trong khi giữ tay cầm của khung.

► **Hình7:** 1. Tay cầm

CHÚ Ý: Không lắp tay cầm vào giỏ đựng cỏ. Đảm bảo lắp khung dọc theo đường khâu của giỏ đựng cỏ.

3. Đảm bảo không có sự võng xuống ở các góc của giỏ đựng cỏ.

► **Hình8**

4. Mở kẹp phía trên và gắn kẹp vào khung.

► **Hình9**

5. Gắn tất cả kẹp khác như thể hiện trong hình. Đảm bảo rằng tất cả kẹp được gắn chặt vào khung.

► **Hình10:** 1. Kẹp

Lắp hoặc tháo giỏ đựng cỏ

Để lắp giỏ đựng cỏ, hãy làm theo các bước bên dưới.

1. Mở nắp sau.

► **Hình11:** 1. Nắp sau

2. Giữ tay nắm của giỏ đựng cỏ, sau đó móc giỏ đựng cỏ vào thanh chốt trên thân máy cắt như thể hiện trong hình.

► **Hình12:** 1. Giỏ đựng cỏ 2. Tay cầm 3. Thanh chốt

Để tháo giỏ đựng cỏ, mở nắp sau rồi tháo giỏ đựng cỏ ra bằng cách cầm tay cầm.

Lắp chốt chặn phủ bụi

- Mở nắp sau, và sau đó tháo gio đưng cò.
▶ **Hình13:** 1. Nắp sau 2. Gio đưng cò
- Lắp chốt chặn phủ bụi bằng cách đẩy chốt đến hết mức sao cho phần nhô ra trên chốt chặn phủ bụi khớp vào các lỗ trên máy.
▶ **Hình14:** 1. Chốt chặn phủ bụi 2. Phần nhô ra

Lắp hoặc tháo máng xả

- Để lắp máng xả, hãy làm theo các bước dưới đây.
- Mở nắp sau, sau đó tháo gio đưng cò và chốt chặn phủ bụi.
 - Móc các lỗ trên máng xả vào phần nhô ra trên thân máy cắt cỏ như thể hiện trong hình.
▶ **Hình15:** 1. Máng xả 2. Phần nhô ra
- Để tháo máng xả, mở nắp sau, sau đó tháo máng xả.

MÔ TẢ CHỨC NĂNG

Lắp hoặc tháo hộp pin

- ⚠ THẬN TRỌNG:** Luôn tắt máy trước khi lắp hoặc tháo hộp pin.
- ⚠ THẬN TRỌNG:** Giữ máy và hộp pin thật chắc khi lắp hoặc tháo hộp pin. Không giữ máy và hộp pin thật chắc có thể làm trượt chúng khỏi tay và làm hư hỏng máy và hộp pin hoặc gây thương tích cá nhân.
- ⚠ THẬN TRỌNG:** Đảm bảo rằng bạn đã khóa nắp đầy pin trước khi sử dụng. Nếu không, bùn, bụi, hoặc nước có thể làm hỏng sản phẩm hoặc hộp pin.
- ⚠ THẬN TRỌNG:** Không được dùng sức lắp hộp pin. Nếu hộp pin không nhẹ nhàng trượt vào vị trí, có nghĩa là pin vẫn chưa được lắp đúng.
- ⚠ THẬN TRỌNG:** Giữ nắp đầy pin thật chặt khi lắp hoặc tháo hộp pin.

Để lắp hộp pin;

- Kéo cần khóa, rồi sau đó mở nắp đầy pin.
▶ **Hình16:** 1. Nắp đầy pin 2. Cần khóa
- Giữ hộp pin ở vị trí thẳng đứng với đèn báo hướng về phía trước. Lắp hộp pin vào máy cho đến khi gài được cần khóa pin.
▶ **Hình17:** 1. Các đèn chỉ báo 2. Cần khóa pin

LƯU Ý: Đẩy pin theo chiều dọc từ phía trên khiến máy khó di chuyển hơn và giúp việc lắp pin dễ dàng hơn.

▶ **Hình18**

- Đóng nắp đầy pin và đẩy cho đến khi gài được cần khóa.

Để tháo hộp pin;

- Kéo cần khóa lên và mở nắp đầy pin.
- Đẩy cần khóa pin, sau đó kéo hộp pin ra khỏi máy.
▶ **Hình19:** 1. Cần khóa pin 2. Hộp pin
- Đóng nắp đầy pin.

Hệ thống bảo vệ xe / pin

Xe này được trang bị hệ thống bảo vệ xe/pin. Hệ thống này sẽ tự động ngắt nguồn điện đến động cơ để kéo dài tuổi thọ xe và pin. Máy sẽ tự động dừng vận hành khi máy hoặc pin ở một trong những trường hợp sau đây:

Bảo vệ quá tải

Khi vận hành máy hoặc pin trong điều kiện làm máy tiêu tốn dòng cao bất thường, máy sẽ tự động dừng lại và đèn nguồn chính sẽ nhấp nháy màu xanh lá cây. Trong trường hợp này, hãy tắt máy và ngừng việc sử dụng đã làm cho máy trở nên quá tải. Sau đó bật máy lên để khởi động lại.

Bảo vệ quá nhiệt

Nếu máy hoặc hộp pin bị quá nhiệt, máy sẽ tự động dừng lại. Khi máy bị quá nhiệt, đèn nguồn chính sẽ sáng lên màu đỏ. Khi hộp pin bị quá nhiệt, đèn nguồn chính sẽ nhấp nháy màu đỏ. Hãy để máy và/hoặc pin nguội dần trước khi bật máy lại lần nữa.

Bảo vệ xả điện quá mức

Khi dung lượng pin không đủ, máy sẽ tự động dừng và đèn nguồn chính sẽ nhấp nháy màu đỏ. Trong trường hợp này, hãy tháo pin ra khỏi máy và sạc hộp pin hoặc thay hộp pin sang hộp pin đã sạc đầy.

Bảo vệ chống lại các nguyên nhân khác

Hệ thống bảo vệ cũng được thiết kế để chống lại các nguyên nhân khác có thể làm hư hỏng máy và cho phép máy tự động dừng lại. Thực hiện tất cả các bước sau đây để loại bỏ nguyên nhân, khi máy đã được tạm dừng hoặc ngừng hoạt động.

- Tắt máy, sau đó bật lại lần nữa để khởi động lại.
- Sạc (các) pin hoặc thay pin/các pin bằng (các) pin đã sạc.
- Đề máy và (các) pin nguội dần.

Nếu không thấy cải thiện bằng cách khôi phục hệ thống bảo vệ, hãy liên hệ với Trung tâm Dịch vụ Makita tại địa phương của bạn.

CHÚ Ý: Nếu máy dừng do nguyên nhân không được mô tả bên trên, hãy tham khảo phần xử lý sự cố.

Chỉ báo dung lượng pin còn lại

- ▶ **Hình20:** 1. Đèn chỉ báo pin

Khi dung lượng pin còn lại xuống thấp, đèn chỉ báo pin sẽ nhấp nháy ở bên hông pin đang dùng. Khi sử dụng thêm nữa, máy sẽ dừng lại và đèn chỉ báo pin bật sáng. Trong tình huống này, hãy sạc lại hộp pin.

Chỉ báo dung lượng pin còn lại

Ấn nút check (kiểm tra) trên hộp pin để chỉ báo dung lượng pin còn lại. Các đèn chỉ báo bật sáng lên trong vài giây.

► **Hình21:** 1. Các đèn chỉ báo 2. Nút Check (kiểm tra)

Các đèn chỉ báo			Dung lượng còn lại
Bật sáng	Tắt	Nhấp nháy	
			75% đến 100%
			50% đến 75%
			25% đến 50%
			0% đến 25%
			Sạc pin.
			Pin có thể đã bị hỏng.

LƯU Ý: Tùy thuộc vào các điều kiện sử dụng và nhiệt độ xung quanh, việc chỉ báo có thể khác biệt một chút so với dung lượng thực sự.

LƯU Ý: Đèn chỉ báo (phía xa bên trái) đầu tiên sẽ nhấp nháy khi hệ thống bảo vệ pin hoạt động.

Bảng điều khiển

Bảng điều khiển có công tắc nguồn chính và nút chuyển đổi chế độ.

► **Hình22:** 1. Đèn chế độ êm khi không tải 2. Đèn chế độ giảm tiếng ồn 3. Nút chuyển đổi chế độ 4. Đèn nguồn chính 5. Công tắc nguồn chính

Công tắc nguồn chính

▲ CẢNH BÁO: Luôn luôn tắt công tắc nguồn chính khi không sử dụng.

Để bật máy, nhấn công tắc nguồn chính. Đèn nguồn chính màu xanh lá cây sáng lên. Để tắt máy, nhấn công tắc nguồn chính lần nữa.

LƯU Ý: Nếu đèn nguồn chính sáng lên màu đỏ hoặc nhấp nháy màu đỏ hay xanh lá cây, hãy tham khảo hướng dẫn dành cho hệ thống bảo vệ máy/pin.

LƯU Ý: Máy này sử dụng chức năng tắt nguồn tự động. Để tránh việc khởi động ngoài ý muốn, công tắc nguồn chính sẽ tự động tắt khi cần công tắc và cần lái (nếu có trang bị) không được kéo trong một khoảng thời gian nhất định sau khi công tắc nguồn chính được bật lên.

Nút chuyển đổi chế độ

Bạn có thể chuyển đổi chế độ vận hành bằng cách nhấn nút chuyển đổi chế độ. Khi máy được bật, máy sẽ khởi động ở chế độ bình thường.

Tham khảo bảng dưới đây để biết từng chế độ.

Chế độ	Đèn	Mô tả
Chế độ bình thường	Cả đèn chế độ êm khi không tải và đèn chế độ giảm tiếng ồn đều tắt.	Máy hoạt động ở chế độ bình thường.
Chế độ êm khi không tải	Đèn chế độ êm khi không tải sáng lên màu xanh lá.	Bạn có thể giảm tối thiểu việc rung giạt lúc khởi động và khởi động máy nhẹ nhàng.
Chế độ giảm tiếng ồn	Đèn chế độ giảm tiếng ồn sáng lên màu xanh lá.	Bạn có thể giảm tiếng ồn khi cắt cỏ.

Hoạt động công tắc

▲ CẢNH BÁO: Trước khi lắp hộp pin, luôn luôn kiểm tra xem cần công tắc có hoạt động bình thường hay không và trả về vị trí ban đầu khi nhà ra. Vận hành máy bằng công tắc không khởi động đúng có thể dẫn đến mất điều khiển và thương tích cá nhân nghiêm trọng.

LƯU Ý: Không thể khởi động xe cắt cỏ mà không nhấn nút công tắc kể cả khi cần công tắc đã được kéo.

LƯU Ý: Xe cắt cỏ có thể không khởi động do quá tải khi bạn cố cắt cỏ dài hoặc dày đặc tại một thời điểm nào đó. Tăng chiều cao cắt trong trường hợp này.

Máy này được trang bị nút công tắc. Nếu bạn nhận thấy bất cứ điều gì khác thường với nút công tắc, hãy ngừng vận hành ngay lập tức và nhờ Trung tâm dịch vụ Makita được ủy quyền kiểm tra nút.

1. Lắp hộp pin, rồi đóng nắp đậy pin.
2. Nhấn công tắc nguồn chính.

LƯU Ý: Đèn nguồn chính nhấp nháy màu xanh lá nếu bạn nhấn công tắc nguồn chính trong khi kéo cần công tắc. Nhà cần công tắc trước khi nhấn công tắc nguồn chính.

3. Kéo cần công tắc về phía bạn trong khi giữ nút công tắc. Nhà nút công tắc khi động cơ bắt đầu chạy.
- **Hình23:** 1. Nút công tắc 2. Cần công tắc

4. Trong khi giữ cần công tắc, đẩy cần lái về phía trước và giữ cần lái để di chuyển các bánh sau.

► **Hình24:** 1. Cần lái

LƯU Ý: Bạn có thể di chuyển các bánh sau bằng cách đẩy cần lái về phía trước và giữ cần lái mà không kéo cần công tắc.

5. Nhả cần lái và cần công tắc để dừng máy.

Điều chỉnh chiều cao cắt

⚠ CẢNH BÁO: Không bao giờ đặt tay hoặc chân của bạn dưới thân máy cắt khi đang điều chỉnh chiều cao cắt.

⚠ CẢNH BÁO: Luôn đảm bảo rằng cần đã lắp vào rãnh đúng cách trước khi vận hành.

Chiều cao cắt có thể được điều chỉnh trong khoảng giữa 20 mm và 100 mm.

Tắt máy, sau đó kéo cần điều chỉnh chiều cao cắt cô ra ngoài thân máy cắt cô và di chuyển cần đến chiều cao cắt cô mong muốn.

► **Hình25:** 1. Cần điều chỉnh chiều cao cắt

Bảng dưới đây thể hiện mối quan hệ giữa con số trên thân máy cắt và số chiều cao cắt gần đúng.

Số	Chiều cao cắt
1	20 mm
2	26 mm
3	32 mm
4	39 mm
5	47 mm
6	55 mm
7	63 mm
8	74 mm
9	86 mm
10	100 mm

Giữ tay cầm dưới bằng một tay, sau đó di chuyển cần điều chỉnh chiều cao cắt bằng tay kia.

► **Hình26:** 1. Cần điều chỉnh chiều cao cắt 2. Tay nắm dưới

LƯU Ý: Chỉ số chiều cao cắt nên được sử dụng theo như hướng dẫn. Tùy thuộc vào điều kiện của bãi cỏ hoặc mặt đất, chiều cao cắt thực tế có thể khác một chút so với chiều cao đã cài đặt.

LƯU Ý: Thử kiểm tra việc cắt cỏ ở nơi ít bị chú ý để có được chiều cao mong muốn.

Đèn chỉ báo mức cỏ

Đèn chỉ báo mức cỏ cho biết số lượng cỏ đã cắt. Khi gió đựng cỏ chưa đầy, đèn chỉ báo sẽ nhấp nháy khi lưỡi cắt đang chạy.

► **Hình27:** 1. Đèn chỉ báo mức cỏ

Khi gió đựng cỏ gần như đầy, đèn chỉ báo sẽ không nhấp nháy khi lưỡi cắt đang chạy. Trong trường hợp này, ngừng vận hành ngay lập tức và đổ cỏ đi.

► **Hình28:** 1. Đèn chỉ báo mức cỏ

LƯU Ý: Đèn chỉ báo này là một hướng dẫn sơ lược. Tùy thuộc vào điều kiện bên trong gió, đèn chỉ báo này có thể sẽ không hoạt động đúng cách.

Điều chỉnh độ cao tay nắm

Độ cao tay nắm có thể điều chỉnh với hai mức.

1. Giữ tay nắm dưới, và sau đó xoay núm 90° trong khi kéo núm trên tay nắm dưới để nhả chốt khóa. Thực hiện quy trình giống như vậy ở bên còn lại.

► **Hình29:** 1. Tay nắm dưới 2. Núm

LƯU Ý: Việc đỡ tay cầm giúp nhả chốt khóa ra khi kéo núm để dàng hơn.

2. Điều chỉnh chiều cao tay nắm, sau đó xoay núm ở cả hai bên 90°. Đảm bảo các núm được cố định chắc chắn.

► **Hình30:** 1. Núm

Điều chỉnh tốc độ di động

► **Hình31:** 1. Cần tốc độ

Có thể điều chỉnh tốc độ di động bằng cần tốc độ. Để giảm tốc độ, kéo cần về phía bạn, để tăng tốc độ, xoay cần về phía trước.

Sử dụng chốt chặn phủ bụi

Chốt chặn phủ bụi cho phép bạn xả cỏ đã cắt lên mặt đất mà không cần gom cỏ vào giỏ đựng cỏ. Khi bạn vận hành máy với chốt chặn phủ bụi, hãy đảm bảo đã tháo giỏ đựng cỏ hoặc máng xả.

CHÚ Ý: Khi sử dụng máy với chốt chặn phủ bụi, đảm bảo tổng chiều dài của cỏ sau khi cắt là 30 mm trở lên, và chiều dài cắt là 15 mm trở xuống.

► **Hình32:** (1) 30 mm trở lên (2) 15 mm trở xuống

Sử dụng máng xả

Máng xả cho phép bạn xả cỏ đã cắt lên mặt đất từ phía bên phải của máy mà không cần gom cỏ đã cắt vào giỏ đựng cỏ. Khi bạn vận hành máy với máng xả, hãy đảm bảo đã tháo giỏ đựng cỏ và chốt chặn phủ bụi.

Sử dụng chức năng xả phía sau

Sử dụng chức năng xả phía sau cho phép bạn xả cỏ đã cắt lên mặt đất từ phía sau của máy mà không cần gom cỏ vào giỏ đựng cỏ.

Khi bạn vận hành máy bằng cách sử dụng chức năng xả phía sau, hãy đảm bảo đã tháo nút chặn phủ bụi và giỏ đựng cỏ hoặc máng xả, rồi đóng nắp sau.

Chức năng điện tử

Máy này được trang bị các chức năng điện tử để dễ dàng vận hành.

- Khởi động mềm khi lái
Chức năng khởi động mềm sẽ giảm tối thiểu việc rung giật lúc khởi động và làm máy khởi động nhẹ nhàng.
- Phanh điện tử
Máy này được trang bị phanh điện tử. Nếu máy không thể dừng nhanh lưỡi cắt cô sau khi nhả cần công tắc, hãy đem máy đến Trung tâm dịch vụ được ủy quyền của Makita bảo hành.

VẬN HÀNH

CẮT

⚠ CẢNH BÁO: Trước khi cắt, lấy hết gậy và đá ra khỏi khu vực cắt. Ngoài ra, phải làm sạch trước cỏ dại ra khỏi khu vực.

⚠ CẢNH BÁO: Luôn mang kính bảo hộ hoặc kính an toàn có tấm chắn khi vận hành xe cắt cỏ.

⚠ THẬN TRỌNG: Nếu cỏ đã cắt hoặc dị vật chặn bên trong thân máy cắt cỏ, hãy đảm bảo đã tháo hộp pin và đeo găng tay trước khi loại bỏ cỏ hoặc dị vật.

CHÚ Ý: Chỉ sử dụng máy này cho mục đích cắt cỏ. Không cắt cỏ dại bằng máy này.

► Hình33

Cầm chặt tay nắm bằng cả hai tay khi cắt. Hướng dẫn tốc độ cắt xấp xỉ 7 đến 14 mét mỗi 10 giây.

► Hình34

LƯU Ý: Khi cắt bãi cỏ dài hoặc bãi cỏ rậm rạp, nếu thấy sự không đồng đều về chiều dài của bãi cỏ hoặc hoàn thiện kém sau khi cắt, hoặc giảm tốc độ động cơ trong quá trình cắt, hãy giảm tốc độ cắt thấp hơn khuyến cáo trong sách hướng dẫn này, hoặc tăng chiều cao cắt.

Đường vạch trung tâm của bánh xe phía trước là đường dẫn chiều rộng cắt. Sử dụng các đường vạch trung tâm làm đường dẫn, cắt cỏ theo hàng. Cắt chông khoảng một nửa đến một phần ba lên hàng cắt trước để dễ cắt cỏ đồng đều.

► **Hình35:** 1. Chiều rộng cắt 2. Khoảng cắt chông 3. Đường vạch trung tâm

Thay đổi hướng cắt mỗi lần để tránh hình thành vạch cỏ xoải theo một hướng.

► Hình36

Kiểm tra định kỳ cỏ đã cắt trong giỏ đựng cỏ. Để cỏ đi trước khi giỏ đựng cỏ đầy. Trước mỗi lần kiểm tra định kỳ, hãy đảm bảo đã dừng và tắt máy.

CHÚ Ý: Sử dụng xe cắt cỏ với toàn bộ giỏ đựng cỏ sẽ ngăn không cho vòng quay lưỡi cắt tron tru và đặt thêm tải trọng lên động cơ, có thể gây ra hỏng hóc.

CẮT BÃI CỎ DÀI

Không cố cắt toàn bộ bãi cỏ dài cùng một lúc. Thay vào đó, hãy cắt bãi cỏ dài theo nhiều bước. Dành ra một hoặc hai ngày giữa mỗi lần cắt cho đến khi bãi cỏ trở nên ngắn đều.

► Hình37

LƯU Ý: Cắt tất cả bãi cỏ dài thành cùng độ dài ngắn trong một lần cỏ để làm cho bãi cỏ chết. Cỏ đã cắt cũng có thể chất thành khối bên trong thân máy cắt.

LƯU Ý: Nếu phát hiện thấy sự không đồng đều về chiều dài của bãi cỏ hoặc hoàn thiện kém sau khi cắt, hoặc tốc độ động cơ giảm trong khi cắt, hãy giảm tốc độ cắt, hoặc tăng chiều cao cắt.

Làm rỗng giỏ đựng cỏ

⚠ CẢNH BÁO: Để giảm nguy cơ tai nạn, thường xuyên kiểm tra giỏ đựng cỏ xem có bất kỳ hư hỏng hoặc lực yếu không. Thay giỏ đựng cỏ nếu cần thiết.

1. Nhả cần công tắc và cần lái.
 2. Tắt máy.
 3. Mở nắp sau và lấy giỏ đựng cỏ ra bằng cách cầm tay nắm.
- **Hình38:** 1. Nắp sau 2. Tay nắm 3. Giỏ đựng cỏ
4. Làm rỗng giỏ đựng cỏ.

BẢO TRÌ

⚠ CẢNH BÁO: Luôn đảm bảo đã tháo các hộp pin ra khỏi máy trước khi cắt giữ hoặc di chuyển máy hay cố gắng thực hiện việc kiểm tra hoặc bảo dưỡng.

⚠ CẢNH BÁO: Mang găng tay khi thực hiện kiểm tra hoặc bảo dưỡng.

⚠ CẢNH BÁO: Luôn mang kính bảo hộ hoặc kính an toàn có tấm chắn khi thực hiện kiểm tra hoặc bảo dưỡng.

CHÚ Ý: Không được phép dùng xăng, ét xăng, dung môi, cồn hoặc hóa chất tương tự. Có thể xảy ra hiện tượng mất màu, biến dạng hoặc nứt vỡ.

Để đảm bảo ĐỘ AN TOÀN và ĐỘ TIN CẬY của sản phẩm, việc sửa chữa hoặc bất cứ thao tác bảo trì, điều chỉnh nào đều phải được thực hiện bởi các Trung tâm Dịch vụ Nhà máy hoặc Trung tâm được Makita Ủy quyền và luôn sử dụng các phụ tùng thiết bị thay thế của Makita.

Bảo dưỡng

1. Tháo hộp pin, rồi đóng nắp đậy pin.
2. Đặt máy cắt cỏ ngửa lên. Làm sạch những mảnh cỏ tích tụ trên mặt dưới của buồng máy cắt cỏ.
3. Đổ nước về phía phần đáy của máy nơi lưỡi cắt được gắn vào.

CHÚ Ý: Không rửa máy bằng nước với áp suất cao.

4. Kiểm tra để đảm bảo tất cả các đai ốc, bu-lông, ốc vít, v.v... đã được vận chặt.

5. Kiểm tra bộ phận chuyển động có bị hư hỏng, nứt gãy, và mòn không. Nên sửa chữa hoặc thay thế các bộ phận bị hỏng hoặc bị thiếu.

6. Bảo quản máy cắt cỏ ở nơi an toàn tránh xa tầm tay trẻ em.

CHÚ Ý: Không đổ nước lên khu vực thể hiện trong hình. Đổ nước vào bộ phận động cơ có thể gây trục trặc cho máy.

► **Hình39:** 1. Khu vực không nên đổ nước lên

CHÚ Ý: Không đổ nước lên máy khi máy đang ở vị trí thẳng đứng như trong hình. Nếu máy đang ở vị trí thẳng đứng, nước có thể đổ xuống bộ phận động cơ, và gây trục trặc cho máy.

► **Hình40**

Mang máy cắt cỏ đi

⚠ THẬN TRỌNG: Trước khi di chuyển máy cắt cỏ, hãy đảm bảo các hộp pin đã được tháo ra.

Khi di chuyển máy cắt cỏ, giữ tay cầm sau và phần giữ phía dưới ở phía trước của máy với hai người như thể hiện trong hình.

► **Hình41:** 1. Phần giữ phía dưới 2. Tay cầm sau

Cắt giữ

⚠ THẬN TRỌNG: Khi để máy ở vị trí thẳng đứng, hãy đặt máy trên bề mặt phẳng và ổn định. Nếu đặt máy trên bề mặt không ổn định, máy có thể bị ngã đổ và gây thương tích.

Cắt giữ xe cắt cỏ ở một nơi thoáng mát, khô và được khóa kín. Không cắt giữ máy cắt cỏ và bộ sạc ở nơi nhiệt độ có thể lên tới hoặc vượt quá 40 °C.

1. Tháo hộp pin.
2. Xoay núm 90° trong khi kéo núm ở tay nắm dưới để nhà chốt khóa. Thực hiện quy trình giống như vậy ở bên còn lại, sau đó gấp tay cầm.

► **Hình42:** 1. Núm

LƯU Ý: Việc đỡ tay cầm giúp nhà chốt khóa ra khi kéo núm dễ dàng hơn.

3. Vặn núm ở cả hai bên 90°. Đảm bảo các núm được cố định chắc chắn.

► **Hình43:** 1. Núm

CHÚ Ý: Cẩn thận không để dây bị kẹt khi gấp tay nắm.

4. Nới lỏng các đai ốc có tai vặn ở cả hai bên, sau đó gấp tay nắm trên lại như thể hiện trong hình.

► **Hình44:** 1. Đai ốc có tai vặn 2. Tay nắm trên

5. Đặt máy ở vị trí thẳng đứng.

LƯU Ý: Khi đặt máy cắt cỏ ở vị trí thẳng đứng, đừng chỉ cầm tay nắm, mà hãy cầm thân máy cắt cỏ và tay nắm.

6. Cắt giữ giò đưng cỏ như thể hiện trong hình.

► **Hình45:** 1. Giò đưng cỏ

► **Hình46:** 1. Giò đưng cỏ

Tháo hoặc lắp lưỡi cắt cỏ

⚠ CẢNH BÁO: Lưỡi cắt chạy theo đà quán tính khoảng vài giây sau khi nhà công tắc. Không bắt đầu bất cứ hoạt động nào cho đến khi lưỡi cắt dừng hoàn toàn.

⚠ CẢNH BÁO: Luôn tháo hộp pin khi tháo hoặc lắp lưỡi cắt. Không tháo các hộp pin có thể gây ra thương tích nghiêm trọng.

⚠ CẢNH BÁO: Luôn mang găng tay khi xử lý lưỡi cắt.

Tháo lưỡi cắt cỏ

1. Đặt máy cắt cỏ ngửa lên để cần điều chỉnh chiều cao cắt di chuyển sang bên cao hơn.

2. Đeo khóa lưỡi cắt, lắp chốt vào lỗ trên thân máy cắt hết mức có thể.

3. Vặn bu-lông ngược chiều kim đồng hồ bằng cờ lê ống lồng 17.

► **Hình47:** 1. Lưỡi cắt cỏ 2. Chốt 3. Cờ lê ống lồng

4. Tháo bu-lông sau đó tháo lưỡi cắt cỏ.

► **Hình48:** 1. Hồ trợ lưỡi cắt cỏ 2. Lưỡi cắt cỏ 3. Bu lông 4. Phần nhô ra

CHÚ Ý: Khi lắp lưỡi cắt cỏ, hãy đảm bảo phần nhô ra trên giá đỡ lưỡi cắt vừa khớp vào các lỗ trên lưỡi cắt cỏ.

Lắp lưỡi cắt cỏ

⚠ CẢNH BÁO: Lắp lưỡi cắt cỏ cẩn thận. Phải ngang bằng mặt dưới/mặt trên.

⚠ CẢNH BÁO: Vặn chặt bu-lông theo chiều kim đồng hồ để giữ chặt lưỡi cắt.

⚠ CẢNH BÁO: Đảm bảo lưỡi cắt cỏ và tất cả các bộ phận cố định đều đã được lắp đúng cách và vặn thật chặt.

⚠ CẢNH BÁO: Khi thay thế lưỡi cắt, luôn làm theo hướng dẫn cung cấp trong sách hướng dẫn này.

CHÚ Ý: Sau khi lắp lưỡi cắt cỏ, rút chốt ra khỏi thân máy cắt.

Để lắp các lưỡi cắt cỏ, hãy thực hiện ngược lại quy trình tháo ra.

XỬ LÝ SỰ CỐ

Trước khi yêu cầu sửa chữa, đầu tiên hãy tự tiến hành kiểm tra của riêng bạn. Nếu bạn phát hiện vấn đề nào đó không được giải thích trong sách hướng dẫn sử dụng này, đừng cố tháo rời máy. Thay vào đó, hãy nhờ Trung tâm dịch vụ Makita được ủy quyền, luôn sử dụng bộ phận thay thế của Makita để sửa chữa.

Tình trạng bất thường	Nguyên nhân tiềm tàng (sự cố hỏng hóc)	Biện pháp khắc phục
Xe cắt cỏ không khởi động.	Không lắp hộp pin.	Lắp hộp pin đã được sạc đầy.
	Vấn đề pin (điện áp thấp)	Sạc pin lại cho hộp pin. Nếu sạc pin lại không hiệu quả, thay thế hộp pin.
Động cơ ngừng chạy sau khi ít sử dụng đến.	Mức sạc pin thấp.	Sạc pin lại cho hộp pin. Nếu sạc pin lại không hiệu quả, thay thế hộp pin.
	Chiều cao cắt quá thấp.	Tăng chiều cao cắt.
	Cỏ đã cắt bị kẹt trong máy cắt.	Loại bỏ cỏ bị kẹt khỏi máy cắt.
Động cơ không đạt RPM tối đa.	Hộp pin được lắp đúng cách.	Lắp hộp pin như mô tả trong sách hướng dẫn này.
	Nguồn pin bị tụt áp.	Sạc pin lại cho hộp pin. Nếu sạc pin lại không hiệu quả, thay thế hộp pin.
	Hệ thống truyền động không làm việc đúng cách.	Nhờ trung tâm bảo trì được ủy quyền ở địa phương sửa chữa.
Lưỡi cắt cỏ không quay: ⇒ ngừng xe cắt cỏ ngay lập tức!	Ngoại vật như nhánh cây bị kẹt ở gần lưỡi cắt.	Gỡ ngoại vật ra.
	Hệ thống truyền động không làm việc đúng cách.	Nhờ trung tâm bảo trì được ủy quyền ở địa phương sửa chữa.
Rung bất thường: ⇒ ngừng xe cắt cỏ ngay lập tức!	Lưỡi cắt không cân bằng, mòn không đều hoặc quá mức.	Thay thế lưỡi cắt.

PHỤ KIỆN TỰ CHỌN

⚠ THẬN TRỌNG: Các phụ kiện hoặc phụ tùng gắn thêm này được khuyến cáo sử dụng với máy Makita của bạn theo như quy định trong hướng dẫn này. Việc sử dụng bất cứ phụ kiện hoặc phụ tùng gắn thêm nào khác đều có thể gây ra rủi ro thương tích cho người. Chỉ sử dụng phụ kiện hoặc phụ tùng gắn thêm cho mục đích đã quy định sẵn của chúng.

Nếu bạn cần bất kỳ sự hỗ trợ nào để biết thêm chi tiết về các phụ tùng này, hãy hỏi Trung tâm Dịch vụ của Makita tại địa phương của bạn.

- Lưỡi cắt cỏ
- Pin và bộ sạc chính hãng của Makita

LƯU Ý: Một số mục trong danh sách có thể được bao gồm trong gói sản phẩm làm phụ kiện tiêu chuẩn. Các mục này có thể thay đổi tùy theo từng quốc gia.

ข้อมูลจำเพาะ

รุ่น:		LM003J	LM004J
ความกว้างในการตัด (เส้นผ่านศูนย์กลางใบมีด)		480 mm	534 mm
ความเร็วหมุน เปล่า	โหมดปกติ	3,200 min ⁻¹	2,800 min ⁻¹
	โหมดหมุนเปล่ารอบเบา	2,500 - 3,200 min ⁻¹	2,300 - 2,800 min ⁻¹
	โหมดลดเสียงรบกวน	2,500 min ⁻¹	2,300 min ⁻¹
หมายเลขชิ้น ส่วนของใบมีด เครื่องตัดหญ้า ใหม่	ใบมีดตรง	191V97-3	191V96-5
	ใบมีดเครื่องตัดหญ้าแบบ ตรง *1	-	191W87-2
	ใบมีดตัดหญ้าคลุมดิน	191Y64-6	191Y65-4
ขนาด (ยาว x กว้าง x สูง)	ระหว่างการทำงาน	ยาว: 1,670 mm ถึง 1,745 mm กว้าง: 550 mm สูง: 965 mm ถึง 1,075 mm	ยาว: 1,740 mm ถึง 1,810 mm กว้าง: 595 mm สูง: 970 mm ถึง 1,080 mm
	เมื่อเก็บ (โดยไม่มีตะกร้าเก็บหญ้า)	585 mm x 550 mm x 900 mm	580 mm x 595 mm x 930 mm
ความเร็วในการเคลื่อนที่	1.5 - 6.5 km/h		
แรงดันไฟฟ้าที่กำหนด	D.C. 57.6 V - 64 V สูงสุด		
น้ำหนักสุทธิ	30.9 - 33.8 kg	31.5 - 34.6 kg	
ระดับการป้องกัน	IPX4		

*1. ใบมีดเครื่องตัดหญ้าซึ่งทำให้ตัดหญ้าได้มีประสิทธิภาพมากขึ้น

- เนื่องจากการค้นคว้าวิจัยและพัฒนาอย่างต่อเนื่อง ข้อมูลจำเพาะในเอกสารฉบับนี้อาจเปลี่ยนแปลงได้โดยไม่ต้องแจ้งให้ทราบล่วงหน้า
- ข้อมูลจำเพาะอาจแตกต่างกันไปในแต่ละประเทศ
- น้ำหนักอาจแตกต่างกันไปตามอุปกรณ์เสริม รวมถึงตัลบแบตเตอรี่ การตัดอุปกรณ์เสริมที่เบาที่สุดและหนักที่สุดตามข้อบังคับของ EPTA 01/2014 มีแสดงอยู่ในตาราง

ตัลบแบตเตอรี่และเครื่องชาร์จที่ใช้ได้

ตัลบแบตเตอรี่	BL6440
เครื่องชาร์จ	DC64WA

- ตัลบแบตเตอรี่และเครื่องชาร์จบางรายการที่แสดงอยู่ด้านบนอาจไม่มีวางจำหน่ายขึ้นอยู่กับภูมิภาคที่คุณอาศัยอยู่

⚠ คำเตือน: ใช้ตัลบแบตเตอรี่และเครื่องชาร์จที่ระบุไว้ข้างบนเท่านั้น การใช้ตัลบแบตเตอรี่และเครื่องชาร์จประเภทอื่นอาจก่อให้เกิดความเสี่ยงที่จะได้รับบาดเจ็บและ/หรือเกิดไฟไหม้

สัญลักษณ์

ต่อไปนี้เป็นสัญลักษณ์ที่อาจใช้สำหรับอุปกรณ์ โปรดศึกษาความหมายของสัญลักษณ์ให้เข้าใจก่อนการใช้งาน



อย่าให้โดนความชื้น



ใช้ความระมัดระวังและความสนใจเป็นพิเศษ



อ่านคู่มือการใช้งาน



อันตราย ระวังชิ้นส่วนที่กระเด็นมา



เครื่องมือและผู้ที่อยู่ข้างเคียงจะต้องมีระยะห่างระหว่างกันอย่างน้อย 15 m



อย่านำมือและเท้าเข้าไปใกล้บริเวณตัดหญ้าที่อยู่ใต้เครื่อง ไม่มีเครื่องตัดหญ้าจะยังคงหมุนต่อหลังจากปิดสวิตช์มอเตอร์แล้ว



คำเตือน ถอดแบตเตอรี่ก่อนทำการบำรุงรักษา



ความอันตรายทางไฟฟ้า การสัมผัสกับน้ำอาจทำให้เกิดไฟฟ้าช็อตได้



อย่าเผาไฟ



NI-MH
Li-ion

สำหรับประเทศในสหภาพยุโรปเท่านั้น เนื่องจากในอุปกรณ์มีส่วนประกอบอันตราย ชยะจำพวกอุปกรณ์ไฟฟ้า และอิเล็กทรอนิกส์ แบตเตอรี่ และหม้อแบตเตอรี่จึงอาจส่งผลต่อสิ่งแวดล้อมและสุขภาพของมนุษย์ในเชิงลบ

อย่าทิ้งเครื่องใช้ไฟฟ้าและอิเล็กทรอนิกส์ หรือแบตเตอรี่ร่วมกับวัสดุเหลือทิ้งในครัวเรือน!

เพื่อให้เป็นไปตามกฎระเบียบของยุโรปว่าด้วยขยะจำพวกอุปกรณ์ไฟฟ้าและอิเล็กทรอนิกส์ และหม้อสะสมไฟฟ้าและแบตเตอรี่ และขยะจำพวกหม้อสะสมไฟฟ้าและแบตเตอรี่ รวมถึงการบังคับใช้ตามกฎหมายภายในประเทศ ควรจัดการจัดเก็บขยะจำพวกอุปกรณ์ไฟฟ้า แบตเตอรี่ และหม้อสะสมไฟฟ้าแยกต่างหากและส่งไปยังจุดรับขยะต่างหากในเขตเทศบาลซึ่งมีการดำเนินการตามระเบียบว่าด้วยการดูแลสิ่งแวดล้อม

โดยระบุด้วยสัญลักษณ์เส้นคาดขวางรูปถังขยะแบบมีล้อไว้บนอุปกรณ์



ผ่านการรับรองระดับพลังงานเสียงตามกฎระเบียบว่าด้วยเสียงรบกวนภายนอกของสหภาพยุโรป



ระดับพลังงานเสียงตามข้อบังคับการควบคุมเสียงรบกวนของรัฐนิวเซาท์เวลส์ ประเทศออสเตรเลีย

จุดประสงค์การใช้งาน

เครื่องนี้ใช้สำหรับตัดหญ้าในสนามหญ้า

คำเตือนด้านความปลอดภัย

คำเตือนด้านความปลอดภัยของเครื่องมือไฟฟ้าทั่วไป

คำเตือน อ่านคำเตือนด้านความปลอดภัย คู่มือ ภาพและข้อมูลจำเพาะที่มีมาให้พร้อมกับเครื่องมือไฟฟ้านี้ หากไม่ปฏิบัติตามคำเตือนทั้งหมดด้านล่างนี้อาจส่งผลให้เกิดไฟช็อต ไฟไหม้ และ/หรือได้รับบาดเจ็บสาหัสได้

เก็บรักษาคำเตือนและคำแนะนำทั้งหมดไว้

เป็นข้อมูลอ้างอิงในอนาคต

คำว่า “เครื่องมือไฟฟ้า” ในคำเตือนนี้หมายถึงเครื่องมือไฟฟ้า (มีสาย) ที่ทำงานโดยใช้กระแสไฟฟ้าหรือเครื่องมือไฟฟ้า (ไร้สาย) ที่ทำงานโดยใช้แบตเตอรี่

ความปลอดภัยของพื้นที่ทำงาน

1. ดูแลพื้นที่ทำงานให้มีความสะอาดและมีแสงไฟสว่าง พื้นที่ที่กระเบื้องกระเบื้องหรือมีดที่บอบบางไปสู่การเกิดอุบัติเหตุได้
2. อย่าใช้งานเครื่องมือไฟฟ้าในสภาพที่อาจเกิดการระเบิด เช่น ในสถานที่ที่มีของเหลว ก๊าซ หรือฝุ่นผงที่มีคุณสมบัติไวไฟ เครื่องมือไฟฟ้าอาจสร้างประกายไฟและจุดชนวนฝุ่นผงหรือก๊าซดังกล่าว
3. ดูแลไม่ให้มีเด็กหรือบุคคลอื่นอยู่ในบริเวณที่กำลงใช้เครื่องมือไฟฟ้า การมีสิ่งรบกวนสมาธิอาจทำให้คุณสูญเสียการควบคุม

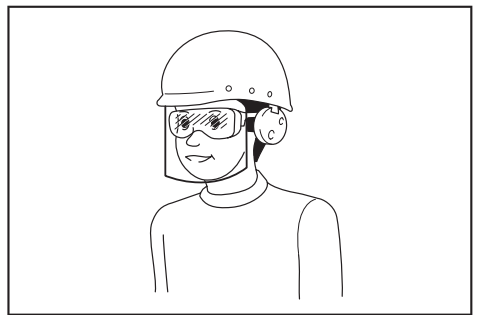
ความปลอดภัยด้านไฟฟ้า

1. ปลั๊กของเครื่องมือไฟฟ้าต้องพอดีกับเต้ารับ อย่าดัดแปลงปลั๊กไม่ว่ากรณีใดๆ อย่าใช้ปลั๊กอะแดปเตอร์กับเครื่องมือไฟฟ้าที่ต่อสายดิน ปลั๊กที่ไม่ถูกดัดแปลงและเต้ารับที่เข้ากันพอดีจะช่วยลดความเสี่ยงของการเกิดไฟฟ้าช็อต

- ระวังอย่าให้ร่างกายสัมผัสกับพื้นผิวที่ต่อสายดิน เช่น ท่อ เครื่องนำความร้อน เต้าหุงต้ม และตู้เย็น มีความเสี่ยงที่จะเกิดไฟฟ้าช็อตสูงขึ้น หากร่างกายของคุณสัมผัสกับพื้น
- อย่าให้เครื่องมือไฟฟ้าถูกน้ำหรืออยู่ในสภาพเปียกชื้น น้ำที่ไหลเข้าไปในเครื่องมือไฟฟ้าจะเพิ่มความเสี่ยงของการเกิดไฟฟ้าช็อต
- อย่าใช้สายไฟอย่างไม่เหมาะสม อย่าใช้สายไฟเพื่อยก ดึง หรือถอดปลั๊กเครื่องมือไฟฟ้า เก็บสายไฟให้ห่างจากความร้อน น้ำมัน ของมีคม หรือชิ้นส่วนที่เคลื่อนที่ สายที่ชำรุดหรือพันกันจะเพิ่มความเสี่ยงของการเกิดไฟฟ้าช็อต
- ขณะที่ใช้งานเครื่องมือไฟฟ้านอกอาคาร ควรใช้สายต่อพ่วงที่เหมาะสมกับงานภายนอกอาคาร การใช้สายที่เหมาะสมกับงานภายนอกอาคารจะลดความเสี่ยงของการเกิดไฟฟ้าช็อต
- หากต้องใช้งานเครื่องมือไฟฟ้าในสถานที่เปียกชื้น ให้ใช้อุปกรณ์ป้องกันกระแสไฟรั่ว (RCD) การใช้ RCD จะลดความเสี่ยงของการเกิดไฟฟ้าช็อต
- เครื่องมือไฟฟ้าอาจสร้างสนามแม่เหล็ก (EMF) ที่ไม่เป็นอันตรายต่อผู้ใช้ อย่างไรก็ตาม ผู้ใช้ที่ใส่เครื่องกระตุ้นหัวใจและอุปกรณ์ทางการแพทย์ที่คล้ายกันนี้ ควรติดต่อผู้ผลิตอุปกรณ์และ/หรือแพทย์เพื่อรับคำแนะนำก่อนใช้งานเครื่องมือไฟฟ้านี้
- อย่าทำงานในระยงที่สุดเอี่ยม จัดท่ากรีนและการทรงตัวให้เหมาะสมตลอดเวลา เพราะจะทำให้ควบคุมเครื่องมือไฟฟ้าได้ดีขึ้นในสถานการณ์ที่ไม่คาดคิด
- แต่งกายให้เหมาะสม อย่าสวมเครื่องแต่งกายที่หลวมเกินไป หรือสวมเครื่องประดับ อย่าใส่เสื้อผ้าและเสื้อผ้าอยู่ใกล้ชิ้นส่วนที่เคลื่อนที่ เสื้อผ้ารุ่มร่าม เครื่องประดับ หรือผมที่มีความยาวอาจเข้าไปติดในชิ้นส่วนที่เคลื่อนที่
- หากมีการจัดอุปกรณ์สำหรับดูดและจัดเก็บฝุ่นไว้ในสถานที่ ให้ตรวจสอบว่าได้เชื่อมต่อและใช้งานอุปกรณ์นั้นอย่างเหมาะสม การใช้เครื่องดูดและจัดเก็บฝุ่นจะช่วยลดอันตรายที่เกิดจากฝุ่นผงได้
- อย่าให้ความคุ้นเคยจากการใช้งานเครื่องมือเป็นประจำทำให้คุณทำตามตามสบายและละเลยหลักการเพื่อความปลอดภัยในการใช้เครื่องมือ การกระทำที่ไม่ระมัดระวังอาจทำให้เกิดการบาดเจ็บร้ายแรงภายในเสี้ยววินาที
- สวมใส่แว่นครอบตานิรภัยเพื่อปกป้องดวงตาของคุณจากการบาดเจ็บเมื่อใช้เครื่องมือไฟฟ้า แว่นครอบตาจะต้องได้มาตรฐาน ANSI Z87.1 ในสหรัฐ, EN 166 ในยุโรป หรือ AS/NZS 1336 ในออสเตรเลีย/นิวซีแลนด์ ในออสเตรเลีย/นิวซีแลนด์ จะต้องสวมเกราะป้องกันใบหน้าเพื่อปกป้องใบหน้าของคุณอย่างถูกต้องตามกฎหมายด้วย

ความปลอดภัยส่วนบุคคล

- ให้ระมัดระวังและมีสติอยู่เสมอขณะใช้งานเครื่องมือไฟฟ้า อย่าใช้งานเครื่องมือไฟฟ้าในขณะที่คุณกำลังเหนื่อย หรือในสภาพที่มึนเมาจากยาเสพติด เครื่องดื่ม แอลกอฮอล์ หรือการเข้ายา ช่วงเวลาที่ขาดความระมัดระวังเมื่อกำลังใช้งานเครื่องมือไฟฟ้าอาจทำให้ได้รับบาดเจ็บร้ายแรง
- ใช้อุปกรณ์ป้องกันส่วนบุคคล สวมแว่นตาป้องกันเสมอ อุปกรณ์ป้องกัน เช่น หน้ากากกันฝุ่น รองเท้ากันภัยกันลื่น หมวกกันน็อก หรือเครื่องป้องกันการได้ยินที่ใช้ในสภาพที่เหมาะสมจะช่วยลดการบาดเจ็บ
- ป้องกันไม่ให้เกิดการเปิดใช้งานโดยไม่ตั้งใจ ตรวจสอบให้แน่ใจว่าสวิตช์ปิดอยู่ก่อนที่จะเชื่อมต่อกับแหล่งจ่ายไฟ และ/หรือชุดแบตเตอรี่ รวมทั้งตรวจสอบก่อนการยกหรือเคลื่อนย้ายเครื่องมือ การถอดนิ้วมือบริเวณสวิตช์เพื่อถ่วงเครื่องมือไฟฟ้า หรือการชาร์จไฟเครื่องมือไฟฟ้าในขณะที่เปิดสวิตช์อยู่อาจนำไปสู่การเกิดอุบัติเหตุ
- นำกุญแจปรับตั้งหรือประแจออกก่อนที่จะเปิดเครื่องมือไฟฟ้า ประแจหรือกุญแจที่เสียบค้างอยู่ในชิ้นส่วนที่หมุนได้ของเครื่องมือไฟฟ้าอาจทำให้ได้รับบาดเจ็บ



ผู้ว่าจ้างมีหน้าที่รับผิดชอบในการบังคับผู้ใช้งานเครื่องมือและบุคคลอื่นๆ ที่อยู่ในบริเวณที่ปฏิบัติงานให้ใช้อุปกรณ์ป้องกันที่เหมาะสม

การใช้และดูแลเครื่องมือไฟฟ้า

- อย่าฝืนใช้เครื่องมือไฟฟ้า ใช้เครื่องมือไฟฟ้าที่เหมาะสมกับการใช้งานของคุณ เครื่องมือไฟฟ้าที่เหมาะสมจะทำให้ได้งานที่มีประสิทธิภาพและปลอดภัยกว่าตามขีดความสามารถของเครื่องที่ได้รับการออกแบบมา
- อย่าใช้เครื่องมือไฟฟ้า หากสวิตช์ไม่สามารถเปิดปิดได้ เครื่องมือไฟฟ้าที่ควบคุมด้วยสวิตช์ที่ไม่ได้เป็นลิ้นอันตรายและต้องได้รับการซ่อมแซม

3. ถอดปลั๊กจากแหล่งจ่ายไฟ และ/หรือชุดแบตเตอรี่ ออกจากเครื่องมือไฟฟ้าก่อนทำการปรับตั้ง เปลี่ยน อุปกรณ์เสริม หรือจัดเก็บเครื่องมือไฟฟ้า วิธีการ ป้องกันด้านความปลอดภัยดังกล่าวจะช่วยลดความเสี่ยงในการเปิดใช้งานเครื่องมือไฟฟ้าโดยไม่ตั้งใจ
4. จัดเก็บเครื่องมือไฟฟ้าที่ไม่ได้ใช้งานให้ห่างจากมือเด็ก และอย่าอนุญาตให้บุคคลที่ไม่คุ้นเคยกับเครื่องมือไฟฟ้าหรือคำแนะนำเหล่านี้ใช้งานเครื่องมือไฟฟ้า เครื่องมือไฟฟ้าจะเป็นอันตรายเมื่ออยู่ในมือของผู้ที่ไม่ได้รับการฝึกอบรม
5. บำรุงรักษาเครื่องมือไฟฟ้าและอุปกรณ์เสริม ตรวจสอบการประกอบที่ไม่ถูกต้องหรือการเชื่อมต่อของชิ้นส่วนที่เคลื่อนที่ การแตกหักของชิ้นส่วน หรือสภาพอื่นๆ ที่อาจส่งผลกระทบต่อการทำงานของเครื่องมือไฟฟ้า หากมีความเสียหาย ให้นำเครื่องมือไฟฟ้าไปซ่อมแซมก่อนการใช้งาน อุบัติเหตุจำนวนมากเกิดจากการดูแลรักษาเครื่องมือไฟฟ้าอย่างไม่ถูกต้อง
6. ทำความสะอาดเครื่องมือตัดและลับให้คมอยู่เสมอ เครื่องมือการตัดที่มีการดูแลอย่างถูกต้องและมีขอบการตัดคมมักจะมีปัญหาติดขัดน้อยและควบคุมได้ง่ายกว่า
7. ใช้เครื่องมือไฟฟ้า อุปกรณ์เสริม และวัสดุสิ้นเปลือง ชลข ตามคำแนะนำดังกล่าว จาการณาสภาพการทำงานและงานที่จะลงมือทำ การใช้เครื่องมือไฟฟ้าเพื่อทำงานอื่นนอกเหนือจากที่กำหนดไว้อาจทำให้เกิดอันตราย
8. ดูแลมือจับและบริเวณมือจับให้แห้ง สะอาด และไม่มีน้ำมันและจารบีเปื้อน มือจับและบริเวณมือจับที่ลื่นจะทำให้ไม่สามารถจับและควบคุมเครื่องมือได้อย่างปลอดภัยในสถานการณ์ที่ไม่คาดคิด
9. ขณะใช้งานเครื่องมือ อย่าสวมใส่ถุงมือผ้าที่อาจเข้าไปติดในเครื่องมือได้ หากถุงมือผ้าเข้าไปติดในชิ้นส่วนที่กำลังเคลื่อนที่อยู่อาจทำให้ได้รับบาดเจ็บ

การใช้งานและดูแลเครื่องมือที่ใช้แบตเตอรี่

1. ชาร์จไฟใหม่ด้วยเครื่องชาร์จที่ระบุโดยผู้ผลิตเท่านั้น เครื่องชาร์จที่เหมาะสมสำหรับชุดแบตเตอรี่ประเภทหนึ่ง อาจเสี่ยงที่จะเกิดไฟไหม้หากนำไปใช้กับชุดแบตเตอรี่อีกประเภทหนึ่ง
2. ใช้เครื่องมือไฟฟ้ากับชุดแบตเตอรี่ที่กำหนดมาโดยเฉพาะเท่านั้น การใช้ชุดแบตเตอรี่ประเภทอื่นอาจทำให้เสี่ยงที่จะได้รับบาดเจ็บและเกิดไฟไหม้

3. เมื่อไม่ใช้งานชุดแบตเตอรี่ ให้เก็บห่างจากวัตถุที่เป็นโลหะอื่นๆ เช่น คลิปหนีบกระดาษ เหรียญ กุญแจ กรรไกรตัดเล็บ สกรู หรือวัตถุที่เป็นโลหะขนาดเล็กอื่นๆ ที่สามารถเชื่อมต่อขั้วหนึ่งกับอีกขั้วหนึ่งได้ การลัดวงจรขั้วแบตเตอรี่อาจทำให้อันตรกิริยาเกิดไฟไหม้
4. ในกรณีที่ใช้งานไม่ถูกต้อง อาจมีของเหลวไหลออกจากแบตเตอรี่ ให้หลีกเลี่ยงการสัมผัส หากสัมผัส โดนของเหลวโดยไม่ตั้งใจ ให้ล้างออกด้วยน้ำ หากของเหลวกระเด็นเข้าตา ให้รีบไปพบแพทย์ ของเหลวที่ไหลออกจากแบตเตอรี่อาจทำให้ผิวหนังระคายเคืองหรือไหม้
5. ห้ามใช้ชุดแบตเตอรี่หรือเครื่องมือที่ชาร์จหรือมีการแก้ไข แบตเตอรี่ที่เสียหายหรือมีการแก้ไขอาจทำให้เกิดสิ่งที่คาดไม่ถึงได้ เช่น ไฟไหม้ ระเบิด หรือเสี่ยงต่อการบาดเจ็บ
6. ห้ามให้ชุดแบตเตอรี่อยู่ใกล้ไฟ หรือบริเวณที่มีอุณหภูมิสูงเกิน หากโดนไฟ หรืออุณหภูมิสูงเกิน 130 °C อาจก่อให้เกิดการระเบิดได้
7. กรุณาปฏิบัติตามคำแนะนำสำหรับการชาร์จไฟ และห้ามชาร์จแบตเตอรี่หรือเครื่องมือในบริเวณที่มีอุณหภูมินอกเหนือไปจากที่ระบุในคำแนะนำ การชาร์จไฟที่ไม่เหมาะสม หรืออุณหภูมินอกเหนือไปจากช่วงอุณหภูมิที่ระบุในคำแนะนำอาจทำให้แบตเตอรี่เสียหายและเป็นการเพิ่มความเสี่ยงในการเกิดไฟไหม้

การซ่อมบำรุง

1. นำเครื่องมือไฟฟ้าเข้ารับบริการจากช่างซ่อมที่ผ่านการรับรองโดยใช้อะไหล่แบบเดียวกันเท่านั้น เพราะจะทำให้การใช้เครื่องมือไฟฟ้ามีความปลอดภัย
2. ห้ามใช้ชุดแบตเตอรี่ที่เสียหาย ชุดแบตเตอรี่ที่ใช้ควรเป็นชุดที่มาจากผู้ผลิต หรือผู้ให้บริการที่ได้รับอนุญาตเท่านั้น
3. ปฏิบัติตามคำแนะนำในการหล่อลื่นและการเปลี่ยนอุปกรณ์เสริม

คำเตือนด้านความปลอดภัยของเครื่องตัดหญ้าไร้สาย

1. อย่าใช้เครื่องตัดหญ้าในสภาพอากาศที่ไม่ดี โดยเฉพาะอย่างยิ่งเมื่อมีความเสี่ยงที่จะเกิดฟ้าผ่า ซึ่งจะเพิ่มความเสี่ยงในการถูกฟ้าผ่า
2. ตรวจสอบสวิตช์ป่าในพื้นที่ที่จะใช้งานเครื่องตัดหญ้าอย่างละเอียด สวิตช์ป่าอาจได้รับบาดเจ็บจากเครื่องตัดหญ้าขณะใช้งานเครื่อง

3. ตรวจสอบพื้นที่ที่จะใช้งานเครื่องตัดหญ้าอย่างละเอียด และกำจัดหิน กิ่งไม้ สายไฟ กระดุก และสิ่งแปลกปลอมอื่น ๆ วัตถุที่กระเด็นอาจทำให้เกิดการบาดเจ็บได้
4. ก่อนการใช้เครื่องตัดหญ้า ให้ตรวจสอบด้วยสายตาว่า ไบมีดและชุดไบมีดไม่สึกหรอหรือเสียหาย ชิ้นส่วนที่สึกหรอหรือเสียหายจะเพิ่มความเสี่ยงการบาดเจ็บ
5. ตรวจสอบการสึกหรอหรือเสื่อมสภาพของที่รับหญ้าอยู่บ่อยๆ ที่รับหญ้าที่สึกหรอหรือเสียหายอาจเพิ่มความเสี่ยงการบาดเจ็บ
6. ดูแลให้ที่ป้องกันอยู่ประจำที่เสมอ ที่ป้องกันจะต้องทำงานตามลำดับและถูกติดตั้งอย่างเหมาะสม ที่ป้องกันที่หลวม เสียหาย หรือทำงานไม่ถูกต้องอาจทำให้เกิดการบาดเจ็บได้
7. รักษาช่องระบายความร้อนทั้งหมดให้สะอาดปราศจากสิ่งสกปรก ช่องลมเข้าที่อุดตันและสิ่งสกปรกอาจทำให้เกิดความร้อนสูงเกินไปหรือเสี่ยงเกิดไฟไหม้ได้
8. ขณะใช้งานเครื่องตัดหญ้า ให้สวมรองเท้าแบบกันลื่นเสมอ อย่าใช้งานเครื่องตัดหญ้าขณะที่เท้าเปล่าหรือใส่รองเท้าแตะที่เปิดโล่ง การทำเช่นนั้นจะลดโอกาสการได้รับบาดเจ็บจากการสัมผัสกับไบมีดที่กำลังเคลื่อนที่
9. ขณะใช้งานเครื่องตัดหญ้า ให้สวมกางเกงขายาวเสมอ ผิวหนังที่เปลือกออกมาจะเพิ่มโอกาสการได้รับบาดเจ็บจากวัตถุที่กระเด็น
10. อย่าใช้งานเครื่องตัดหญ้ากับหญ้าเปียก โปรดเดินห้ามวิ่ง การทำเช่นนั้นจะลดความเสี่ยงการลื่นล้มซึ่งอาจส่งผลให้เกิดการบาดเจ็บได้
11. อย่าใช้งานเครื่องตัดหญ้าบนเนินที่ลาดชันเกินไป การทำเช่นนั้นจะช่วยลดความเสี่ยงในการสูญเสียการควบคุม การลื่น และการร่วงหล่นซึ่งอาจทำให้ได้รับบาดเจ็บสาหัสได้
12. เมื่อใช้งานบนเนิน ตรวจสอบว่ายีนให้มันคงเสมอ ตัดหญ้าตามพื้นผิวแนวลาด ไม่ตัดขึ้นและลง ใช้ความระมัดระวังอย่างมากในการเปลี่ยนทิศทางแนวลาด การทำเช่นนั้นจะช่วยลดความเสี่ยงในการสูญเสียการควบคุม การลื่น และการร่วงหล่นซึ่งอาจทำให้ได้รับบาดเจ็บสาหัสได้
13. ใช้ความระมัดระวังอย่างมากเมื่อเดินถอยหลังหรือดึงเครื่องตัดหญ้าเข้าหาตัว ระมัดระวังสิ่งรอบข้างอยู่เสมอ การทำเช่นนั้นจะลดความเสี่ยงการลื่นล้มขณะใช้งาน
14. อย่าแตะไบมีดและชิ้นส่วนเคลื่อนที่อันตรายอื่นๆ ขณะที่กำลังเคลื่อนที่อยู่ การทำเช่นนั้นจะลดความเสี่ยงการได้รับบาดเจ็บจากชิ้นส่วนเคลื่อนที่
15. เมื่อต้องการกำจัดสิ่งติดอยู่หรือทำความสะอาดเครื่องตัดหญ้า ให้ตรวจสอบว่าได้ปิดสวิตช์ไฟทุกอัน และตัดการเชื่อมต่อชุดแบตเตอรี่ออกแล้ว การทำงานที่ไม่คาดคิดของเครื่องตัดหญ้าอาจทำให้เกิดการบาดเจ็บร้ายแรงได้

ปฏิบัติตามคำแนะนำเหล่านี้

คำเตือน: อย่าให้ความไม่ระมัดระวังหรือความคุ้นเคยกับผลิตภัณฑ์ (จากการใช้งานซ้ำหลายครั้ง) อยู่เหนือการปฏิบัติตามกฎเกณฑ์ด้านความปลอดภัยในการใช้งานผลิตภัณฑ์อย่างเคร่งครัด

การใช้งานอย่างไม่เหมาะสมหรือการไม่ปฏิบัติตามกฎเกณฑ์ด้านความปลอดภัยในคู่มือการใช้งานนี้อาจทำให้ได้รับบาดเจ็บรุนแรง

คำแนะนำด้านความปลอดภัยที่สำคัญ

คำเตือน: อ่านคำเตือนด้านความปลอดภัยและคำแนะนำทั้งหมด การไม่ปฏิบัติตามคำเตือนและคำแนะนำดังกล่าวอาจส่งผลให้ไฟฟ้าช็อต ไฟไหม้ และ/หรือได้รับบาดเจ็บร้ายแรง

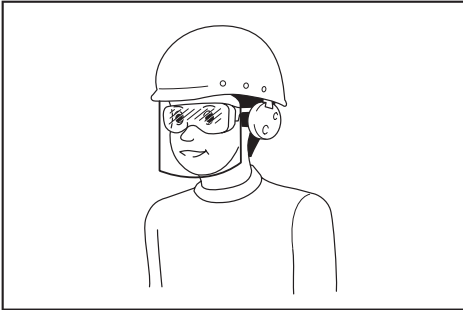
เก็บรักษาคำเตือนและคำแนะนำทั้งหมดไว้เป็นข้อมูลอ้างอิงในอนาคต

การฝึกปฏิบัติ

1. อ่านคำแนะนำอย่างละเอียด ทำความคุ้นเคยกับการควบคุมและใช้งานเครื่องตัดหญ้าอย่างเหมาะสม
2. ห้ามอนุญาตให้เด็กหรือผู้ที่ไม่คุ้นเคยกับคู่มือการใช้งานเครื่องตัดหญ้า ช้อกกำหนดในท้องถิ่นสามารถจำกัดอายุของผู้ปฏิบัติงาน
3. ห้ามใช้งานเครื่องตัดหญ้าขณะที่ผู้อื่น โดยเฉพาะเด็กหรือสัตว์เลี้ยงอยู่ใกล้เคียง
4. โปรดทราบว่าคุณปฏิบัติงานหรือผู้ใช้จะต้องเป็นผู้รับผิดชอบอุบัติเหตุหรืออันตรายที่เกิดขึ้นต่อบุคคลหรือทรัพย์สินของบุคคลอื่น
5. เด็กต้องได้รับการดูแลเพื่อให้มั่นใจว่าเด็กจะไม่เล่นเครื่องตัดหญ้า
6. สภาพทางกายภาพ - อย่าใช้งานเครื่องตัดหญ้าขณะอยู่ในสภาพที่เมื่อยมาจากยาเสพติด เครื่องดื่มแอลกอฮอล์ หรือการใช้ยา

การเตรียมความพร้อม

1. ระหว่างที่ใช้งานเครื่องตัดหญ้า ต้องใส่รองเท้าที่แข็งแรงและกางเกงขายาว อย่าใช้งานเครื่องตัดหญ้าขณะที่เท้าเปล่าหรือใส่รองเท้าแตะที่เปิดโล่ง หลีกเลี่ยงการใส่เสื้อผ้าหรือเครื่องประดับที่หลวมหรือมีสายหรือเชือกผูกห้อยอยู่ เนื่องจากอาจเข้าไปติดในชิ้นส่วนที่เคลื่อนไหวได้
2. ก่อนใช้งาน ให้ตรวจสอบเครื่องตัดหญ้าด้วยสายตา ว่ามีความเสียหาย หรือที่ป้องกันหรือก้ำกั๊วไม่อยู่ในที่หรืออยู่ผิดที่หรือไม่
3. ตรวจสอบให้แน่ใจว่าพื้นที่ดังกล่าวไม่มีบุคคลอื่นก่อนทำการตัดหญ้า หยุดเครื่องตัดหญ้าหากมีบุคคลอื่นเข้ามาในพื้นที่
4. สวมใส่แว่นครอบตานิรภัยเพื่อปกป้องดวงตาของคุณจากการบาดเจ็บเมื่อใช้เครื่องมือไฟฟ้า แว่นครอบตาจะต้องได้มาตรฐาน ANSI Z87.1 ในสหรัฐอเมริกา, EN 166 ในยุโรป หรือ AS/NZS 1336 ในออสเตรเลีย/นิวซีแลนด์ ในออสเตรเลีย/นิวซีแลนด์ จะต้องสวมเกราะป้องกันใบหน้าเพื่อปกป้องใบหน้าของคุณอย่างถูกต้องตามกฎหมายด้วย



ผู้ว่าจ้างมีหน้าที่รับผิดชอบในการบังคับผู้ใช้งานเครื่องมือและบุคคลอื่นๆ ที่อยู่ในบริเวณที่ปฏิบัติงานให้ใช้อุปกรณ์ป้องกันที่เหมาะสม

5. ตรวจสอบใบมีดและสลักเกลียวใบมีดอย่างละเอียดว่ามีรอยแตกหรือความเสียหายหรือไม่ก่อนการใช้งาน เปลี่ยนใบมีดหรือสลักเกลียวใบมีดที่แตกหรือเสียหายทันที
6. กำจัดสิ่งแปลกปลอม เช่น ก้อนหิน เส้นลวด ขวด กระดุก และชิ้นไม้ขนาดใหญ่ออกจากพื้นที่ทำงานก่อนตัดหญ้า เพื่อป้องกันไม่ให้เกิดการบาดเจ็บหรือความเสียหายต่อเครื่องตัดหญ้า
7. สิ่งที่ต้องอยู่กับใบมีดของเครื่องตัดหญ้าสามารถก่อให้เกิดบาดแผลรุนแรงได้ ควรมีการตรวจสอบสนามหญ้าอย่างละเอียดและกำจัดสิ่งต่างๆ ออกไปก่อนทำการตัดหญ้าในแต่ละครั้ง

8. ระวังรู ร่อง ฟันนูน หิน หรือวัตถุที่ซ่อนอยู่อื่นๆ พื้นที่ที่ไม่ราบเรียบอาจทำให้เกิดอุบัติเหตุที่เกิดจากการลื่นและล้มได้ หญ้าที่สูงอาจบังลิ่งกีดขวางต่างๆ
9. ใช้อุปกรณ์ป้องกันส่วนบุคคล สวมแว่นตาป้องกันเสมอ อุปกรณ์ป้องกัน เช่น หน้ากากกันฝุ่น รองเท้านิรภัย กันลื่น หมวกนิรภัย หรือเครื่องป้องกันการได้ยินที่ใช้ในสภาพที่เหมาะสมจะช่วยลดการบาดเจ็บ

การใช้งาน

1. อย่าทำงานในระยะเวลาที่สูดเอื้อม รักษาความสมดุลอยู่เสมอ ตรวจสอบทำขึ้นให้มั่นคงบนทางลาดเสมอ โปรดเดิน ห้ามวิ่ง
2. หยุดเครื่องตัดหญ้าและปิดเครื่อง ตรวจสอบให้แน่ใจว่าชิ้นส่วนเคลื่อนที่ทั้งหมดหยุดสนิทแล้ว
 - ทุกครั้งที่คุณวางเครื่องตัดหญ้าทิ้งไว้
 - ก่อนกำจัดสิ่งกีดขวางหรือทำความสะอาดสิ่งที่อุดตัน
 - ก่อนตรวจสอบ ทำความสะอาด หรือจัดการเครื่องตัดหญ้า
 - หลังจากกระแทกเข้ากับวัตถุแปลกปลอม ตรวจสอบเครื่องตัดหญ้าว่ามีความเสียหายหรือไม่ แล้วทำการซ่อมแซมก่อนเริ่มเครื่องและใช้งานเครื่องตัดหญ้าอีกครั้ง
 - เมื่อเครื่องตัดหญ้าเริ่มสั่นสะเทือนผิดปกติ
3. ห้ามใช้งานเครื่องตัดหญ้าที่มีที่ป้องกันหรือก้ำกั๊วที่เสียหาย หรือไม่ใช้อุปกรณ์ป้องกันภัย เช่น ที่ปิดเศษไม้และ/หรือตะกร้าเก็บหญ้า ติดตั้งอยู่
4. หลีกเลี่ยงการใช้งานเครื่องตัดหญ้าในสภาพอากาศที่ไม่ดี โดยเฉพาะอย่างยิ่งเมื่อมีความเสี่ยงที่จะเกิดฟ้าผ่า
5. สวมอุปกรณ์ป้องกันดวงตาและรองเท้าที่แข็งแรงตลอดเวลาในขณะที่ใช้งานเครื่องตัดหญ้า
6. ใช้งานเครื่องตัดหญ้าในเวลากลางวันหรือมีแสงเทียมส่องสว่างเท่านั้น
7. เปิดสวิตช์เครื่องตัดหญ้าอย่างระมัดระวังตามคำแนะนำและให้เท้าอยู่ห่างจากใบมีด
8. ดูแลมือและเท้าอย่าให้บาดเจ็บจากใบมีดเครื่องตัดหญ้า
9. ตรวจสอบอยู่เสมอว่าช่องระบายอากาศไม่มีเศษขยะ
10. ตัดหญ้าตามพื้นผิวแนวลาด ไม่ตัดขึ้นและลง ใช้ความระมัดระวังอย่างมากในการเปลี่ยนทิศทางแนวลาดอย่าตัดหญ้าในแนวลาดชันเกินไป
11. ใช้ความระมัดระวังอย่างมากเมื่อเดินถอยหลังหรือดึงเครื่องตัดหญ้าเข้าหาตัว

12. หยุดใบมีดหากต้องเอียงเครื่องตัดหญ้าเพื่อการขนย้าย ขณะข้ามพื้นผิวที่ไม่ใช่หญ้า และเมื่อขนย้ายเครื่องตัดหญ้าไปและกลับจากพื้นที่ใช้งาน
 13. อย่าเอียงเครื่องตัดหญ้าขณะที่เปิดสวิตช์มอเตอร์ ยกเว้นเมื่อต้องเอียงเครื่องตัดหญ้าเพื่อเริ่มใช้งาน ในกรณีนี้ อย่าเอียงเครื่องเกินกว่าที่จำเป็น และยกแค่ส่วนดังกล่าวให้ไกลจากผู้ปฏิบัติงาน ตรวจสอบให้แน่ใจเสมอว่ามีทั้งสองข้างอยู่ในตำแหน่งการใช้งานก่อนวางเครื่องตัดหญ้ากลับลงบนพื้น
 14. อย่าวางมือหรือเท้าใกล้หรือใต้ชิ้นส่วนที่หมุน อย่าเข้าใกล้ช่องปล่อยเศษหญ้าเด็ดขาด
 15. อย่าขนย้ายเครื่องตัดหญ้าขณะที่ยังเปิดเครื่องตัดหญ้า
 16. หลีกเลี่ยงการใช้งานเครื่องตัดหญ้ากับหญ้าเปียก
 17. จับมือจับให้มั่นเสมอ
 18. อย่าจับใบมีดที่เปิดโล่งหรือขอบตัดขณะหยิบหรือถือเครื่องตัดหญ้า
 19. ระวังอย่าให้มือและเท้าสัมผัสกับใบมีดที่กำลังหมุน ระวัง - ใบมีดจะยังหมุนหลังจากปิดเครื่องตัดหญ้าแล้ว
 20. หยุดทำงานทันทีหากคุณพบว่ามีสิ่งผิดปกติ ปิดสวิตช์เครื่องตัดหญ้า จากนั้นให้ตรวจสอบเครื่องตัดหญ้า
 21. ห้ามพยายามปรับความสูงในการตัดในขณะที่เครื่องตัดหญังกำลังทำงานอยู่ หากเครื่องตัดหญ้ามีคุณสมบัติการปรับความสูงในการตัด
 22. ปล่อยก้านสวิตช์และรอให้ใบมีดหยุดหมุนก่อนที่จะข้ามทางรถ ทางเดิน ถนน และบริเวณที่ลาดด้วยกรวด ปิดเครื่องทุกครั้งเมื่อคุณละออกจากตัวเครื่อง อ้อมไปหยิบหรือนำสิ่งของที่วางทางออก หรือด้วยสาเหตุอื่นใดที่ดึงความสนใจของคุณออกจากสิ่งที่คุณกำลังทำอยู่
 23. ถ้าเครื่องตัดหญ้ากระแทกเข้ากับสิ่งแปลกปลอม ให้ทำตามขั้นตอนดังนี้
 - หยุดเครื่องตัดหญ้า ปล่อยก้านสวิตช์และรอนกว่าใบมีดจะหยุดสนิท
 - ถอดปลั๊กแบตเตอรี่
 - ตรวจสอบความเสียหายของเครื่องตัดหญ้าอย่างละเอียด
 - เปลี่ยนใบมีดหากใบมีดเสียหาย ซ่อมแซมความเสียหายใดๆ ก่อนเริ่มทำงานและใช้งานเครื่องตัดหญ้าต่อ
 24. อย่าเริ่มใช้งานเครื่องตัดหญ้าขณะยืนอยู่หน้าช่องปล่อยเศษหญ้า
 25. ถ้าเครื่องตัดหญ้าเริ่มสั่นผิดปกติ (ตรวจสอบทันที)
 - ตรวจสอบความเสียหาย
 - เปลี่ยนหรือซ่อมแซมชิ้นส่วนที่เสียหาย
 - ตรวจสอบชิ้นส่วนที่หลวมและขันให้แน่น
 26. ห้ามปล่อยวัสดุไปทางบุคคลใดๆ หลีกเลี่ยงการปล่อยวัสดุไปทางกำแพงหรือสิ่งกีดขวาง วัสดุอาจดิ่งกลับมาจากผู้ปฏิบัติงานได้ หยุดใบมีดเมื่อข้ามพื้นผิวที่เป็นหินกรวด
 27. อย่าดึงเครื่องตัดหญาก่อนหยุดหากไม่จำเป็นโดยเด็ดขาด เมื่อคุณจำเป็นต้องบังคับเครื่องตัดหญ้ามาทางด้านหลังเพื่อให้ออกห่างจากรูหรือสิ่งกีดขวางอื่นๆ ที่คล้ายกันนั้น ให้มองด้านล่างและด้านหลังก่อนและขณะเคลื่อนเครื่องตัดหญาก่อนหยุด
 28. ปิดมอเตอร์และรอนจนกระทั่งใบมีดหยุดนิ่งแล้วก่อนนำที่รับหญ้าออก ระวังใบมีดหมุนหลังจากปิดเครื่อง
 29. เมื่อคุณใช้เครื่องบนพื้นโคลน พื้นลาดที่เปียก หรือบริเวณที่ลื่น โปรดระมัดระวังการทรงตัว
 30. อย่าให้เครื่องจมอยู่ในแอ่งน้ำ
 31. เมื่อใช้งานเครื่อง โปรดระมัดระวังท่อและสายไฟ
- การบำรุงรักษาและการเก็บรักษา
1. เปลี่ยนชิ้นส่วนที่สึกหรอหรือเสียหายเพื่อความปลอดภัย ใช้ชิ้นส่วนอะไหล่และอุปกรณ์เสริมของแท้เท่านั้น
 2. ตรวจสอบและบำรุงรักษาเครื่องตัดหญ้าเป็นประจำ
 3. เมื่อไม่ใช้งาน ให้เก็บเครื่องตัดหญ้าให้ห่างจากมือเด็ก
 4. ชันน็อต สลักเกลียว และสกรูทุกตัวให้แน่นเพื่อให้มั่นใจว่าอุปกรณ์อยู่ในสภาพการใช้งานที่ปลอดภัย
 5. ตรวจสอบความสึกหรอหรือการเสื่อมสภาพของตะกร้าเก็บหญ้าเป็นประจำ ในการเก็บรักษา ตรวจสอบให้แน่ใจว่าตะกร้าเก็บหญ้าว่างอยู่เสมอ เปลี่ยนตะกร้าเก็บหญ้าที่สึกหรอด้วยผลิตภัณฑ์ชิ้นใหม่จากโรงงานเพื่อความปลอดภัย
 6. ใช้เฉพาะใบมีดของแท้จากผู้ผลิตตามที่ได้รับไว้ในคู่มือเล่มนี้เท่านั้น
 7. โปรดระวังระหว่างการปรับเครื่องตัดหญ้าเพื่อป้องกันไม่ให้นิ้วเข้าไปติดก่อนถอดใบมีดและชิ้นส่วนที่ยึดไว้ของเครื่องตัดหญ้า
 8. ตรวจสอบสลักเกลียวยึดใบมีดตามรอบระยะเวลาเป็นประจำเพื่อให้มีความแน่นที่เหมาะสม
 9. ทิ้งเครื่องตัดหญ้าไว้ให้เย็นลงก่อนเก็บเสมอ
 10. เมื่อทำการบำรุงรักษาใบมีด โปรดจดจำว่า แม้ว่าใบมีดจะแห้งหลังจากใช้งานแล้ว แต่ใบมีดยังสามารถเคลื่อนไหวได้
 11. ห้ามถอดหรือทำการเปลี่ยนแปลงอุปกรณ์ป้องกันภัย ตรวจสอบการทำงานที่เหมาะสมเสมอ ห้ามทำการใดๆ เพื่อขัดขวางการทำงานที่กำหนดของอุปกรณ์ป้องกันภัยหรือเพื่อลดการป้องกันของอุปกรณ์ป้องกันภัย
 12. อย่าทิ้งเครื่องไว้ข้างนอกกลางแจ้งโดยไม่ผู้ดูแล

- เมื่อเก็บเครื่อง หลีกเสี่ยงที่ที่ได้รับแสงอาทิตย์โดยตรง หรือฝน และเก็บไว้ในที่ที่ไม่เกิดความร้อนหรือ ความชื้น

การใช้งานและดูแลเครื่องมือที่ใช้แบตเตอรี่

- ชาร์จไฟใหม่ด้วยเครื่องชาร์จที่ระบุโดยผู้ผลิตเท่านั้น เครื่องชาร์จที่เหมาะสมสำหรับชุดแบตเตอรี่ประเภทหนึ่ง อาจเสี่ยงที่จะเกิดไฟไหม้หากนำไปใช้กับชุดแบตเตอรี่ อีกประเภทหนึ่ง
- ใช้เครื่องมือไฟฟ้ากับชุดแบตเตอรี่ที่กำหนดมาโดยเฉพาะเท่านั้น การใช้ชุดแบตเตอรี่ประเภทอื่นอาจ ทำให้เสี่ยงที่จะได้รับบาดเจ็บและเกิดไฟไหม้
- เมื่อไม่ใช้งานชุดแบตเตอรี่ ให้เก็บห่างจากวัตถุที่เป็น โลหะอื่นๆ เช่น คลิปหนีบกระดาษ เหรียญ กุญแจ กรรไกรตัดเล็บ สกรู หรือวัตถุที่เป็นโลหะขนาดเล็ก อื่นๆ ที่สามารถเชื่อมต่อขั้วหนึ่งกับอีกขั้วหนึ่งได้ การ ลัดวงจรขั้วแบตเตอรี่อาจทำให้ร้อนจัดหรือเกิดไฟไหม้
- ในกรณีที่ใช้งานไม่ถูกต้อง อาจมีของเหลวไหลออก จากแบตเตอรี่ ให้หลีกเสี่ยงการสัมผัส หากสัมผัส โดนของเหลวโดยไม่ตั้งใจ ให้ล้างออกด้วยน้ำ หาก ของเหลวกระเด็นเข้าตา ให้รีบไปพบแพทย์ ของเหลว ที่ไหลออกจากแบตเตอรี่อาจทำให้ผิวหนังระคายเคือง หรือไหม้
- ห้ามใช้ชุดแบตเตอรี่หรือเครื่องมือที่ชำรุดหรือมีการ แก่ไข แบตเตอรี่ที่เสียหายหรือมีการแก๊ซอาจทำให้เกิด สิ่งที่คาดไม่ถึงได้ เช่น ไฟไหม้ ระเบิด หรือเสี่ยง ต่อการบาดเจ็บ
- ห้ามให้ชุดแบตเตอรี่อยู่ใกล้ไฟ หรือบริเวณที่มีอุณหภูมิ สูงเกิน หากโดนไฟ หรืออุณหภูมิสูงเกิน 130 °C อาจ ก่อให้เกิดการระเบิดได้
- กรุณาปฏิบัติตามคำแนะนำสำหรับการชาร์จไฟ และ ห้ามชาร์จแบตเตอรี่หรือเครื่องมือในบริเวณที่มี อุณหภูมิบนอกเหนือไปจากที่ระบุในคำแนะนำ การชาร์จไฟที่ไม่เหมาะสม หรืออุณหภูมิบนอกเหนือไปจากช่วง อุณหภูมิที่ระบุในคำแนะนำอาจทำให้แบตเตอรี่เสียหาย และเป็นการเพิ่มความเสี่ยงในการเกิดไฟไหม้

ความปลอดภัยทางไฟฟ้าและแบตเตอรี่

- อย่ากำจัดแบตเตอรี่ในไฟ แบตเตอรี่อาจจะระเบิดได้ ตรวจสอบรหัสท้องถิ่นสำหรับคำแนะนำเกี่ยวกับการ กำจัดทิ้งแบบพิเศษ
- อย่าเปิดหรือทำให้แบตเตอรี่เสียหาย อีเล็กโทรไลต์ที่ ถูกปล่อยออกมามีคุณสมบัติกัดกร่อน และอาจทำลาย ดวงตาหรือผิวหนังได้ อาจเป็นพิษหากกลืนกินเข้าไป
- อย่าชาร์จแบตเตอรี่กลางฝนหรือในสถานที่ที่เปียก
- ห้ามชาร์จไฟนอกบ้าน หรือกลางแจ้ง

- ห้ามจับอุปกรณ์ชาร์จรวมถึงปลั๊กเครื่องชาร์จและขั้ว อุปกรณ์ชาร์จด้วยมือที่เปียก
- อย่าเปลี่ยนแบตเตอรี่กลางฝน
- อย่าให้ขั้วแบตเตอรี่เปียกของเหลว เช่น น้ำ หรืออย่า ให้แบตเตอรี่แช่น้ำ อย่าทิ้งแบตเตอรี่ไว้กลางฝน และไม่ชาร์จ ใช้ หรือเก็บแบตเตอรี่ในสถานที่ที่ชื้น หรือเปียก หากขั้วเปียกหรือของเหลวเข้าไปด้านใน แบตเตอรี่ แบตเตอรี่อาจลัดวงจร และมีความเสี่ยงที่จะ เกิดความร้อนสูง ไฟไหม้ หรือระเบิดได้
- หลังนำแบตเตอรี่ออกจากเครื่องหรือเครื่องชาร์จแล้ว ตรวจสอบให้แน่ใจว่าได้ใส่ฝาครอบแบตเตอรี่เข้ากับ แบตเตอรี่ และเก็บไว้ในที่แห้ง
- อย่าเปลี่ยนแบตเตอรี่ด้วยมือที่เปียก
- หลีกเสี่ยงการใช้งานในสภาพแวดล้อมที่อันตราย ห้าม ใช้เครื่องในพื้นที่เปียกชื้นหรือโดนเม็ดฝน น้ำที่เข้าไป ในเครื่องจะเพิ่มความเสี่ยงในการเกิดไฟฟ้าช็อต
- หากตลับแบตเตอรี่เปียก ให้ระบายน้ำภายในออกแล้ว เช็ดด้วยผ้าแห้ง ปล่อยให้ตลับแบตเตอรี่แห้งสนิทในที่ แห้งก่อนใช้งาน

การซ่อมบำรุง

- นำเครื่องมือไฟฟ้าเข้ารับบริการจากช่างซ่อมที่ผ่าน การรับรองโดยใช้อะไหล่แบบเดียวกันเท่านั้น เพราะจะ ทำให้การใช้เครื่องมือไฟฟ้ามีความปลอดภัย
- ห้ามใช้ชุดแบตเตอรี่ที่เสียหาย ชุดแบตเตอรี่ที่ใช้ควร เป็นชุดที่มาจากผู้ผลิต หรือผู้ให้บริการที่ได้รับอนุญาต เท่านั้น

ปฏิบัติตามคำแนะนำเหล่านี้

⚠ คำเตือน: อย่าให้ความไม่ระมัดระวังหรือความคุ่น เคยกับผลิตภัณฑ์ (จากการใช้งานซ้ำหลายครั้ง) อยู่เหนือ การปฏิบัติตามกฎเกณฑ์ด้านความปลอดภัยในการใช้งาน ผลิตภัณฑ์อย่างเคร่งครัด

การใช้งานอย่างไม่เหมาะสมหรือการไม่ปฏิบัติตามกฎ เกณฑ์ด้านความปลอดภัยในคู่มือการใช้งานนี้อาจทำให้ได้ รับบาดเจ็บรุนแรง

คำแนะนำเพื่อความปลอดภัยที่สำคัญสำหรับ ตลับแบตเตอรี่

- ก่อนใช้งานตลับแบตเตอรี่ ให้อ่านคำแนะนำและ เครื่องหมายเตือนทั้งหมดบน (1) เครื่องชาร์จ แบตเตอรี่ (2) แบตเตอรี่ และ (3) ตัวผลิตภัณฑ์ที่ใช้ แบตเตอรี่

2. อย่าถอดแยกชิ้นส่วนหรือทำการดัดแปลงตลับแบตเตอรี่ เนื่องจากอาจทำให้เกิดไฟไหม้ ความร้อนที่สูงเกินไป หรือระเบิดได้
3. หากระยะเวลาที่เครื่องทำงานสั้นเกินไป ให้หยุดใช้งานทันที เนื่องจากอาจมีความเสี่ยงที่จะร้อนจัด ไฟไหม้หรือระเบิดได้
4. หากสารละลายอิเล็กโทรไลต์กระเด็นเข้าตา ให้ล้างออกด้วยน้ำเปล่าและรีบไปพบแพทย์ทันที เนื่องจากอาจทำให้ตาบอด
5. ห้ามลัดวงจรตลับแบตเตอรี่:
 - (1) ห้ามแตะขั้วกับวัตถุที่เป็นสื่อไฟฟ้าใดๆ
 - (2) หลีกเลี่ยงการเก็บตลับแบตเตอรี่ไว้ในภาชนะร่วมกับวัตถุที่เป็นโลหะ เช่น กรรไกรตัดเล็บ เหยี่ยว ฯลฯ
 - (3) อย่าให้ตลับแบตเตอรี่ถูกน้ำหรือฝน
 แบตเตอรี่ลัดวงจรอาจทำให้เกิดการไหลของกระแสไฟฟ้า ร้อนจัด ไฟไหม้หรือเสียหายได้
6. ห้ามเก็บและใช้เครื่องมือและตลับแบตเตอรี่ไว้ในสถานที่มอดุณหภูมิสูงถึงหรือเกิน 50 °C (122 °F)
7. ห้ามเผาตลับแบตเตอรี่ทิ้ง แม้ว่าแบตเตอรี่จะเสียหายจนใช้การไม่ได้หรือเสื่อมสภาพแล้ว ตลับแบตเตอรี่อาจจะระเบิดในกองไฟ
8. อย่าถอดตะปู ตัด บด ขั้ว หรือทำตลับแบตเตอรี่หล่นพื้น หรือกระทบตลับแบตเตอรี่กับวัตถุของแข็ง การกระทำดังกล่าวอาจส่งผลให้เกิดไฟไหม้ ความร้อนที่สูงเกินไป หรือระเบิดได้
9. ห้ามใช้แบตเตอรี่ที่เสียหาย
10. แบตเตอรี่ลิเทียมไอออนที่มีમાาให้นเป็นไปตามข้อกำหนดของ Dangerous Goods Legislation สำหรับการขนส่งเพื่อการพาณิชย์ เช่น โดยบุคคลที่สาม ตัวแทนขนส่งสินค้า จะต้องตรวจสอบข้อกำหนดพิเศษในด้านการบรรจุหีบห่อหรือการติดป้ายสินค้าในการเตรียมสินค้าที่จะขนส่ง ให้ปรึกษาผู้เชี่ยวชาญด้านวัตถุอันตราย โปรดตรวจสอบข้อกำหนดในประเทศที่อาจมีรายละเอียดอื่น ๆ เพิ่มเติม ให้ติดเทปหรือปิดหน้าสัมผัสและห่อแบตเตอรี่ในลักษณะที่แบตเตอรี่จะไม่เคลื่อนที่ไปมาในหีบห่อ
11. เมื่อกำจัดตลับแบตเตอรี่ ให้ถอดตลับแบตเตอรี่ออกจากเครื่องมือและกำจัดในสถานที่ที่ปลอดภัย ปฏิบัติตามข้อบังคับในท้องถิ่นที่เกี่ยวกับการกำจัดแบตเตอรี่
12. ใช้แบตเตอรี่กับผลิตภัณฑ์ที่ระบุโดย Makita เท่านั้น การติดตั้งแบตเตอรี่ในผลิตภัณฑ์ที่ไม่ใช่ตามที่ระบุอาจทำให้เกิดไฟไหม้ ความร้อนสูง ระเบิด หรืออิเล็กโทรไลต์รั่วไหลได้
13. หากไม่ใช่เครื่องมือเป็นระยะเวลานาน จะต้องถอดแบตเตอรี่ออกจากเครื่องมือ
14. ในระหว่างและหลังการใช้งาน ตลับแบตเตอรี่อาจร้อนซึ่งอาจลวกผิวหรือทำให้ผิวไหม้ที่อุณหภูมิต่ำได้ โปรดระมัดระวังในการจัดการกับแบตเตอรี่ที่ร้อน
15. อย่าสัมผัสขั้วของเครื่องมือทันทีหลังจากการใช้งาน เนื่องจากอาจมีความร้อนพอที่จะทำให้ผิวไหม้ได้
16. อย่าปล่อยให้เศษวัสดุ ผงฝุ่น หรือดินเข้าไปติดอยู่ในขั้ว รู และร่องของตลับแบตเตอรี่ เนื่องจากอาจทำให้เกิดความร้อน ไฟไหม้ ระเบิด และทำให้เครื่องมือหรือตลับแบตเตอรี่ทำงานผิดปกติ ส่งผลให้โดนลวกหรือเกิดการบาดเจ็บได้
17. หากเครื่องมือไม่รองรับสายไฟแรงดันสูง อย่าใช้ตลับแบตเตอรี่ใกล้กับสายไฟแรงดันสูง เนื่องจากเครื่องมือหรือตลับแบตเตอรี่อาจทำงานผิดปกติหรือเสียหายได้
18. เก็บแบตเตอรี่ให้ห่างจากเด็ก

ปฏิบัติตามคำแนะนำเหล่านี้

⚠️ ข้อควรระวัง: ใช้แบตเตอรี่ของแท้จาก Makita เท่านั้น การใช้แบตเตอรี่ Makita ที่ไม่แท้ หรือแบตเตอรี่ที่ถูกเปลี่ยน อาจทำให้แบตเตอรี่ระเบิด ก่อให้เกิดเพลิงลุกไหม้ การบาดเจ็บ และความเสียหายได้ และจะทำให้การรับประกันของ Makita สำหรับเครื่องมือและแท่นชาร์จของ Makita เป็นโมฆะด้วย

เคล็ดลับในการรักษาอายุการใช้งานของแบตเตอรี่ให้ยาวนานที่สุด

1. ชาร์จตลับแบตเตอรี่ก่อนที่ไฟจะหมด หยุดการใช้งานแล้วชาร์จประจุไฟฟ้าใหม่ทุกครั้งเมื่อคุณรู้สึกว่าคุณรู้สึกว่าคุณประณมีกำลังลดลง
2. อย่าชาร์จตลับแบตเตอรี่ที่มีไฟเต็มแล้ว การชาร์จประจุไฟฟ้ามากเกินไปอาจทำให้อายุการใช้งานของตลับแบตเตอรี่สั้นลง
3. ชาร์จประจุไฟฟ้าตลับแบตเตอรี่ในห้องที่มีอุณหภูมิระหว่าง 10 °C - 40 °C ปล่อยให้ตลับแบตเตอรี่เย็นลงก่อนที่จะชาร์จไฟ
4. เมื่อไม่ใช่ตลับแบตเตอรี่ ให้ถอดออกจากเครื่องมือหรือเครื่องชาร์จ
5. ชาร์จไฟตลับแบตเตอรี่หากคุณไม่ต้องการใช้เป็นเวลานาน (เกินกว่าหกเดือน)

การประกอบ

คำเตือน: ตรวจสอบให้แน่ใจทุกครั้งว่าถอดปลั๊กแบตเตอรี่ออกแล้วก่อนดำเนินการใดๆ กับเครื่องมือ การไม่ถอดปลั๊กแบตเตอรี่ออกอาจจะเป็นสาเหตุของการบาดเจ็บร้ายแรงเนื่องจากการเริ่มทำงานโดยไม่ตั้งใจได้

คำเตือน: ห้ามเริ่มทำงานเครื่องตัดหญ้าหากยังไม่ได้ประกอบเครื่องอย่างสมบูรณ์ การใช้งานเครื่องที่ไม่ได้ประกอบอย่างสมบูรณ์ อาจส่งผลให้ได้รับบาดเจ็บสาหัสจากการเริ่มทำงานโดยไม่ตั้งใจได้

การติดตั้งมือจับ

ข้อสังเกต: เมื่อติดตั้งมือจับ ระวังอย่าให้หนีบสายไฟที่อยู่ระหว่างมือจับ หากสายไฟเสียหาย สวิตช์เครื่องตัดหญ้าอาจไม่ทำงาน

1. จัดตำแหน่งรูในมือจับด้านล่างให้ตรงกับรูในมือจับด้านบน จากนั้นจึงใส่สลักเกลียวจากด้านบนแล้วขันน็อตมือหมุนจากด้านบน ทำตามขั้นตอนเดียวกันนี้ในอีกด้าน

▶ **หมายเลข 1:** 1. สลักเกลียว 2. น็อตมือหมุน 3. มือจับด้านล่าง 4. มือจับด้านบน

2. หมุนปุ่มหมุน 90° ขณะดึงปุ่มหมุนบนมือจับด้านล่างเพื่อคลายสลักล็อค ทำตามขั้นตอนเดียวกันนี้ในอีกด้าน ยกมือจับแล้วจึงหมุนปุ่มหมุนของทั้งสองข้างไป 90° ตรวจสอบให้แน่ใจว่าปุ่มหมุนยึดแน่นแล้ว

▶ **หมายเลข 2:** 1. ปุ่มหมุน

หมายเหตุ: การรองรับที่จับจะทำให้ปลดสลักล็อคได้ง่ายขึ้นเมื่อดึงปุ่มหมุน

หมายเหตุ: เมื่อหมุนปุ่มหมุน ระวังอย่าให้สายไฟเข้าไปติดในปุ่มหมุน

▶ **หมายเลข 3:** 1. ปุ่มหมุน

การถอดหัวเสียบสำหรับปล่อยหญ้าคลุมดิน

1. เปิดฝาปิดด้านหลัง

▶ **หมายเลข 4:** 1. ฝาปิดด้านหลัง

2. ยกหัวเสียบสำหรับปล่อยหญ้าคลุมดินขึ้นเล็กน้อยแล้วจึงถอดออก

▶ **หมายเลข 5:** 1. หัวเสียบสำหรับปล่อยหญ้าคลุมดิน

การประกอบตะกร้าเก็บหญ้า

1. หยิบคลิปด้านบนของตะกร้าเก็บหญ้า

▶ **หมายเลข 6:** 1. คลิปด้านบน

2. ใส่โครงในตะกร้าเก็บหญ้าจนสุดขณะจับที่มือจับของโครง

▶ **หมายเลข 7:** 1. มือจับ

ข้อสังเกต: อย่าใส่มือจับเข้าไปในตะกร้าเก็บหญ้า ตรวจสอบให้แน่ใจว่าใส่โครงตามร่องของตะกร้าเก็บหญ้า

3. ตรวจสอบให้แน่ใจว่าขอบของตะกร้าเก็บหญ้าไม่หย่อน

▶ **หมายเลข 8**

4. เปิดคลิปด้านบน และยึดคลิปกับโครง

▶ **หมายเลข 9**

5. ติดตั้งคลิปอื่นๆ ตามภาพประกอบ ตรวจสอบให้แน่ใจว่ายึดคลิปทั้งหมดกับโครงไว้แน่นดีแล้ว

▶ **หมายเลข 10:** 1. คลิป

การติดตั้งหรือการถอดตะกร้าเก็บหญ้า

การติดตั้งตะกร้าเก็บหญ้า ให้ทำตามขั้นตอนด้านล่างนี้

1. เปิดฝาปิดด้านหลัง

▶ **หมายเลข 11:** 1. ฝาปิดด้านหลัง

2. จับมือจับของตะกร้าเก็บหญ้า จากนั้นแขวนตะกร้าเก็บหญ้าไว้บนแท่งโลหะบนตัวเครื่องตัดหญ้าตามภาพ

▶ **หมายเลข 12:** 1. ตะกร้าเก็บหญ้า 2. มือจับ 3. แท่งโลหะ

การถอดตะกร้าเก็บหญ้า ให้เปิดฝารอบด้านหลัง แล้วถอดตะกร้าเก็บหญ้าออกโดยจับที่มือจับ

การใส่หัวเสียบสำหรับปล่อยหญ้าคลุมดิน

1. เปิดฝาปิดด้านหลัง จากนั้นนำตะกร้าเก็บหญ้าออก

▶ **หมายเลข 13:** 1. ฝาปิดด้านหลัง 2. ตะกร้าเก็บหญ้า

2. ใส่หัวเสียบสำหรับปล่อยหญ้าคลุมดินโดยกดให้สุดเท่าที่จะทำได้เพื่อให้ส่วนที่ยื่นออกมาบนหัวเสียบสำหรับปล่อยหญ้าคลุมดินพอดีกับช่องบนเครื่อง

▶ **หมายเลข 14:** 1. หัวเสียบสำหรับปล่อยหญ้าคลุมดิน 2. ส่วนที่ยื่นออกมา

การติดตั้งหรือการถอดรางปลั๊กพุ่ม้า

การติดตั้งรางปลั๊กพุ่ม้า ให้ทำตามขั้นตอนด้านล่างนี้

1. เปิดฝากรอบด้านหลัง จากนั้นนำตะกร้าเก็บพุ่ม้าและหัวเสียบสำหรับปลั๊กพุ่ม้าคลุมดินออก

2. เกี่ยวรูปนรางปลั๊กพุ่ม้าเข้ากับส่วนที่ยื่นออกมาบนตัวเครื่องตัดพุ่ม้าตามที่แสดงในภาพ

▶ **หมายเลข 15:** 1. รางปลั๊กพุ่ม้า 2. ส่วนที่ยื่นออกมา

การถอดรางปลั๊กพุ่ม้า ให้เปิดฝากรอบด้านหลัง จากนั้นนำรางปลั๊กพุ่ม้าออก

คำอธิบายการทำงาน

การใส่หรือการถอดดัลล์แบตเตอรี่

⚠ **ข้อควรระวัง:** ปิดสวิตช์เครื่องก่อนทำการติดตั้งหรือการถอดดัลล์แบตเตอรี่เสมอ

⚠ **ข้อควรระวัง:** ถือเครื่องและดัลล์แบตเตอรี่ให้แน่นขณะใส่หรือถอดดัลล์แบตเตอรี่ หากไม่ถือเครื่องและดัลล์แบตเตอรี่ให้แน่นอาจทำให้เครื่องและแบตเตอรี่สั่นหลุดออกจากมือของคุณ ซึ่งส่งผลให้เครื่องและดัลล์แบตเตอรี่เสียหาย รวมถึงทำให้ได้รับบาดเจ็บได้

⚠ **ข้อควรระวัง:** ตรวจสอบให้แน่ใจว่าคุณถอดฝากรอบแบตเตอรี่ก่อนใช้งาน มิฉะนั้น โคลน ผุ่น หรือน้ำอาจทำให้เกิดความเสียหายต่อผลิตภัณฑ์หรือดัลล์แบตเตอรี่ได้

⚠ **ข้อควรระวัง:** อย่าฝืนติดตั้งดัลล์แบตเตอรี่โดยใช้แรงมากเกินไป หากดัลล์แบตเตอรี่ไม่เลื่อนเข้าไปโดยง่าย แสดงว่าใส่ไม่ถูกต้อง

⚠ **ข้อควรระวัง:** จับฝากรอบแบตเตอรี่ให้แน่นขณะติดตั้งหรือถอดดัลล์แบตเตอรี่

หากต้องการติดตั้งดัลล์แบตเตอรี่

1. ดึงก้านลือคขึ้น จากนั้นเปิดฝากรอบแบตเตอรี่

▶ **หมายเลข 16:** 1. ฝากรอบแบตเตอรี่ 2. ก้านลือค

2. จับดัลล์แบตเตอรี่ในตำแหน่งตรงโดยให้ไฟแสดงสถานะหันไปด้านหน้า ใส่ดัลล์แบตเตอรี่ลงในเครื่องขณะที่ลือคเข้ากับก้านลือคแบตเตอรี่

▶ **หมายเลข 17:** 1. ไฟแสดงสถานะ 2. ก้านลือคแบตเตอรี่

หมายเหตุ: การด้นแบตเตอรี่ในแนวตั้งจากด้านบนทำให้เครื่องขยับได้ยากขึ้นและทำให้ติดตั้งแบตเตอรี่ได้ง่ายขึ้น

▶ **หมายเลข 18**

3. ปิดฝากรอบแบตเตอรี่และกดจนกว่าจะลือคเข้ากับก้านลือค

การถอดดัลล์แบตเตอรี่

1. ดึงก้านลือคขึ้นแล้วเปิดฝากรอบแบตเตอรี่

2. ดันก้านลือคแบตเตอรี่ จากนั้นจึงดึงดัลล์แบตเตอรี่ออกจากเครื่อง

▶ **หมายเลข 19:** 1. ก้านลือคแบตเตอรี่ 2. ดัลล์แบตเตอรี่

3. ปิดฝากรอบแบตเตอรี่

ระบบป้องกันเครื่องมือ / แบตเตอรี่

เครื่องมือนี้มีระบบป้องกันเครื่องมือ/แบตเตอรี่ ระบบนี้จะตัดไฟที่ส่งไปยังมอเตอร์โดยอัตโนมัติเพื่อยืดอายุการใช้งานเครื่องมือและแบตเตอรี่ เครื่องจะหยุดทำงานระหว่างการใช้งานโดยอัตโนมัติ หากเครื่องหรือแบตเตอรี่อยู่ภายใต้สถานการณ์ต่อไปนี้

การป้องกันโอเวอร์โหลด

เมื่อเครื่องหรือแบตเตอรี่ทำงานโดยใช้กระแสไฟฟ้าที่แรงสูงผิดปกติ เครื่องจะหยุดทำงานโดยอัตโนมัติและสัญญาณไฟหลักจะกะพริบเป็นสีเขียว ในกรณีเช่นนี้ ให้ปิดเครื่องและหยุดการใช้งานที่ทำให้เครื่องทำงานหนักเกินไป จากนั้นเปิดเครื่องเพื่อเริ่มการทำงานอีกครั้ง

การป้องกันความร้อนสูงเกิน

หากเครื่องหรือดัลล์แบตเตอรี่เกิดความร้อนสูงเกินไป เครื่องจะหยุดทำงานโดยอัตโนมัติ เมื่อเครื่องร้อนเกินไป ดวงไฟหลักจะสว่างเป็นสีแดง เมื่อดัลล์แบตเตอรี่ร้อนเกินไป ดวงไฟหลักจะกะพริบเป็นสีแดง ปล่อยให้เครื่องและ/หรือแบตเตอรี่เย็นลงก่อนที่จะเปิดเครื่องอีกครั้ง

การป้องกันไฟหมด

เมื่อความจุแบตเตอรี่ไม่เพียงพอ เครื่องจะหยุดทำงานโดยอัตโนมัติ และสัญญาณไฟหลักจะกะพริบเป็นสีแดง ในกรณีนี้ ให้ถอดแบตเตอรี่ออกจากเครื่อง แล้วชาร์จดัลล์แบตเตอรี่หรือเปลี่ยนเป็นดัลล์แบตเตอรี่ที่ชาร์จเต็มแล้ว

การป้องกันจากสาเหตุอื่นๆ

ระบบป้องกันยังได้รับการออกแบบสำหรับสาเหตุอื่นๆ ที่อาจทำให้เครื่องเสียหายและช่วยให้เครื่องหยุดทำงานได้โดยอัตโนมัติ ให้ปฏิบัติตามขั้นตอนต่อไปนี้เป็นเพื่อแก้ไขสาเหตุเมื่อเครื่องหยุดชะงักชั่วคราวหรือหยุดทำงาน

1. ปิดเครื่องแล้วเปิดใหม่เพื่อเริ่มใช้งานอีกครั้ง
2. ชาร์จหรือเปลี่ยนแบตเตอรี่โดยนำแบตเตอรี่ที่ชาร์จแล้วมาใช้แทน
3. ปลดปล่อยให้เครื่องและแบตเตอรี่เย็นลง

หากอาการไม่ดีขึ้นเมื่อเปิดระบบป้องกันอีกครั้ง ให้ติดต่อศูนย์บริการ Makita ใกล้บ้านคุณ

ข้อสังเกต: หากเครื่องหยุดทำงานเนื่องจากสาเหตุที่ไม่ได้ระบุไว้ด้านบน โปรดอ้างอิงส่วนการแก้ไขปัญหา

การระบุระดับพลังงานแบตเตอรี่ที่เหลืออยู่

► **หมายเลข 20:** 1. ไฟแสดงสถานะแบตเตอรี่

เมื่อความจุแบตเตอรี่เหลือน้อย ไฟแสดงสถานะแบตเตอรี่จะกะพริบที่ด้านแบตเตอรี่ที่เกี่ยวข้อง หากใช้งานต่อ เครื่องจะหยุดทำงานและไฟแสดงสถานะแบตเตอรี่จะสว่างขึ้น ในกรณีนี้ ให้ชาร์จตัวแบตเตอรี่

การระบุระดับพลังงานแบตเตอรี่ที่เหลืออยู่

กดปุ่ม ตรวจสอบ บนตัวแบตเตอรี่เพื่อดูปริมาณแบตเตอรี่ที่เหลือ ไฟแสดงสถานะจะสว่างขึ้นเป็นเวลาสองสามวินาที

► **หมายเลข 21:** 1. ไฟแสดงสถานะ 2. ปุ่มตรวจสอบ

ไฟแสดงสถานะ			แบตเตอรี่ที่เหลือ
ไฟสว่าง	ดับ	กะพริบ	
■	□	▣	75% ถึง 100%
■ ■ ■ ■	□	□	
■ ■ ■ □	□	□	
■ ■ □ □	□	□	50% ถึง 75%
■ ■ □ □	□	□	25% ถึง 50%
■ □ □ □	□	□	0% ถึง 25%
▣ □ □ □	□	□	ชาร์จไฟแบตเตอรี่
■ ■ □ □	□	□	แบตเตอรี่อาจจะเสีย
□ □ ■ ■	□	□	

หมายเหตุ: ขึ้นอยู่กับสภาพการใช้งานและอุณหภูมิ โดยรอบ การแสดงสถานะอาจจะแตกต่างจากปริมาณแบตเตอรี่จริงเล็กน้อย

หมายเหตุ: ไฟแสดงสถานะดวงแรก (ซ้ายสุด) จะกะพริบเมื่อระบบป้องกันแบตเตอรี่ทำงาน

แผงควบคุม

แผงควบคุมจะมีสวิตช์ไฟหลักและปุ่มเปลี่ยนโหมด

- **หมายเลข 22:** 1. ไฟแสดงสถานะโหมดหมุนเปล่ารอบเบา 2. ไฟแสดงสถานะโหมดลดเสียงรบกวน 3. ปุ่มเปลี่ยนโหมด 4. สัญญาณไฟหลัก 5. สวิตช์ไฟหลัก

สวิตช์ไฟหลัก

คำเตือน: ปิดสวิตช์ไฟหลักเสมอเมื่อไม่ได้ใช้งาน

การเปิดเครื่อง ให้กดสวิตช์ไฟหลัก สัญญาณไฟหลักจะสว่างขึ้นเป็นสีเขียว การปิดเครื่อง ให้กดสวิตช์ไฟหลักอีกครั้ง

หมายเหตุ: หากสัญญาณไฟหลักสว่างขึ้นเป็นสีแดงหรือกะพริบเป็นสีแดงหรือสีเขียว โปรดดูคำแนะนำการใช้งานเกี่ยวกับระบบป้องกันเครื่อง/แบตเตอรี่

หมายเหตุ: เครื่องนี้มีฟังก์ชันปิดเครื่องอัตโนมัติ เพื่อหลีกเลี่ยงการเริ่มทำงานโดยไม่ได้ตั้งใจ สวิตช์ไฟหลักจะปิดลงโดยอัตโนมัติเมื่อก้านสวิตช์และก้านขับ (หากมี) ไม่ถูกดึงเป็นระยะเวลาหนึ่งหลังจากเปิดสวิตช์ไฟหลักแล้ว

ปุ่มเปลี่ยนโหมด

คุณสามารถเปลี่ยนโหมดการทำงานได้โดยการกดปุ่มเปลี่ยนโหมด เมื่อเปิดเครื่อง เครื่องจะเริ่มทำงานในโหมดปกติ โปรดอ้างอิงตารางด้านล่างเพื่อดูแต่ละโหมด

โหมด	ดวงไฟ	คำอธิบาย
โหมดปกติ	ทั้งดวงไฟโหมดหมุนเปล่ารอบเบาและโหมดลดเสียงรบกวนจะดับลง	เครื่องมือจะทำงานในโหมดปกติ
โหมดหมุนเปล่ารอบเบา	ดวงไฟโหมดหมุนเปล่ารอบเบาจะสว่างเป็นสีเขียว	คุณสามารถลดการกระตุกในตอนเริ่มเดินเครื่องและเริ่มเดินเครื่องอย่างราบรื่นได้
โหมดลดเสียงรบกวน	ดวงไฟโหมดลดเสียงรบกวนจะสว่างเป็นสีเขียว	คุณสามารถลดเสียงขณะตัดหญ้าได้

การทำงานของสวิตช์

คำเตือน: ก่อนใส่ดัลับแบตเตอรี่ ให้ตรวจสอบว่า ก้านสวิตช์สามารถทำงานได้อย่างถูกต้อง และกลับไปยังตำแหน่งเดิมเมื่อปล่อย การใช้งานเครื่องโดยที่สวิตช์ทำงานได้ไม่เหมาะสมอาจนำไปสู่การสูญเสียการควบคุมและส่งผลให้ได้รับบาดเจ็บสาหัสได้

หมายเหตุ: เครื่องตัดหญ้าจะไม่เริ่มทำงานหากไม่กดปุ่มสวิตช์ แม้ว่าจะดึงก้านสวิตช์แล้วก็ตาม

หมายเหตุ: เครื่องตัดหญ้าอาจไม่เริ่มทำงานเนื่องจากทำงานหนักเกินไปเมื่อคุณพยายามตัดหญ้าที่ยาวหรือแน่น ในกรณีนี้ ให้เพิ่มความสูงในการตัดหญ้า

เครื่องมือที่มีปุ่มสวิตช์ หากคุณสังเกตเห็นสิ่งใดผิดปกติกับปุ่มสวิตช์ ให้หยุดทำงานทันทีและนำเครื่องมือไปให้ศูนย์บริการที่ได้รับบริการรับรองของ Makita ที่อยู่ใกล้บ้านคุณตรวจสอบ

1. ดัดตั้งดัลับแบตเตอรี่ และจากนั้นปิดฝาครอบแบตเตอรี่

2. กดสวิตช์ไฟหลัก

หมายเหตุ: ดวงไฟหลักจะกะพริบเป็นสีเขียวเมื่อคุณกดสวิตช์ไฟหลักในขณะที่ดึงก้านสวิตช์ ปล่อยให้ก้านสวิตช์ก่อนกดปุ่มสวิตช์ไฟหลัก

3. ดึงก้านสวิตช์เข้าหาตัวคุณในขณะที่กดปุ่มสวิตช์ลง ปล่อยให้ปุ่มสวิตช์เมื่อมอเตอร์เริ่มทำงาน

▶ **หมายเลข 23:** 1. ปุ่มสวิตช์ 2. ก้านสวิตช์

4. ในขณะที่จับก้านสวิตช์ ให้ดันก้านขับไปทางด้านหน้า แล้วจับค้างไว้เพื่อขับเคลื่อนล้อหลัง

▶ **หมายเลข 24:** 1. ก้านขับ

หมายเหตุ: คุณสามารถขับเคลื่อนล้อหลังได้โดยการดันก้านขับไปทางด้านหน้าแล้วจับค้างไว้โดยไม่ต้องดึงก้านสวิตช์

5. ปล่อยให้ก้านขับและก้านสวิตช์เพื่อหยุดเครื่อง

การปรับความสูงของการตัดหญ้า

คำเตือน: ห้ามวางมือหรือขาไว้ใต้เครื่องตัดหญ้าขณะปรับความสูงของการตัดหญ้า

คำเตือน: ตรวจสอบว่าก้านพดกับร่องก่อนทำงานเสมอ

สามารถปรับความสูงในการตัดหญ้าได้ในช่วงระหว่าง 20 mm และ 100 mm

ปิดเครื่อง จากนั้นดึงก้านปรับความสูงในการตัดหญ้าออกไปทางด้านนอกตัวเครื่องตัดหญ้า แล้วเลื่อนไปยังความสูงการตัดหญ้าที่คุณต้องการ

▶ **หมายเลข 25:** 1. ก้านปรับความสูงในการตัด

ตารางด้านล่างแสดงความสัมพันธ์ระหว่างหมายเลขบนตัวเครื่องตัดหญ้าและความสูงในการตัดหญ้าโดยประมาณ

หมายเลข	ความสูงในการตัดหญ้า
1	20 mm
2	26 mm
3	32 mm
4	39 mm
5	47 mm
6	55 mm
7	63 mm
8	74 mm
9	86 mm
10	100 mm

จับมือจับด้านล่างด้วยมือหนึ่ง จากนั้นจึงเลื่อนก้านปรับความสูงในการตัดด้วยมืออีกข้าง

▶ **หมายเลข 26:** 1. ก้านปรับความสูงในการตัด 2. มือจับด้านล่าง

หมายเหตุ: ควรใช้ตัวเลขความสูงในการตัดเป็นแนวทางความสูงของสนามหญ้าจริงอาจแตกต่างจากความสูงที่ตั้งค่าไว้เล็กน้อย ขึ้นอยู่กับสภาพของสนามหญ้าหรือพื้นดิน

หมายเหตุ: ลองทดสอบตัดหญ้าในที่แจ้งเพื่อให้ได้ความสูงที่ต้องการ

ตัวบ่งชี้ระดับหญ้า

ตัวบ่งชี้ระดับหญ้าแสดงปริมาณหญ้าที่ตัดไปแล้ว เมื่อตะกร้าเก็บหญ้ายังไม่เต็ม ตัวบ่งชี้จะลอยในขณะที่ใบมีดกำลังทำงาน

▶ **หมายเลข 27:** 1. ตัวบ่งชี้ระดับหญ้า

เมื่อตะกร้าเก็บหญ้าเกือบเต็ม ตัวบ่งชี้จะไม่ลอยในขณะที่ใบมีดกำลังทำงาน ในกรณีนี้ ให้หยุดการทำงานทันที แล้วนำหญ้าในตะกร้าไปทิ้ง

▶ **หมายเลข 28:** 1. ตัวบ่งชี้ระดับหญ้า

หมายเหตุ: ตัวบ่งชี้นี้เป็นแนวทางอย่างคร่าวๆ ตัวบ่งชี้นี้อาจไม่ทำงานอย่างถูกต้อง ขึ้นอยู่กับสภาพภายในตะกร้า

การปรับความสูงของมือจับ

สามารถปรับความสูงของมือจับได้สองระดับ

1. จับมือจับด้านล่าง จากนั้นหมุนปุ่มหมุน 90° ในขณะที่ดึงปุ่มหมุนบนมือจับด้านล่างเพื่อปลดสลักล็อก ทำตามขั้นตอนเดียวกันนี้ในอีกด้าน

▶ **หมายเลข 29:** 1. มือจับด้านล่าง 2. ปุ่มหมุน

หมายเหตุ: การรองรับที่จับจะทำให้ปลดสลักล็อกได้ง่ายขึ้นเมื่อดึงปุ่มหมุน

2. ปรับความสูงของมือจับ จากนั้นหมุนปุ่มหมุนทั้งสองข้าง 90° ตรวจสอบให้แน่ใจว่าปุ่มหมุนยึดแน่นแล้ว

▶ **หมายเลข 30:** 1. ปุ่มหมุน

การปรับความเร็วในการเคลื่อนที่

▶ **หมายเลข 31:** 1. ก้านปรับความเร็ว

สามารถปรับความเร็วในการเคลื่อนที่ได้ด้วยก้านปรับความเร็ว การลดความเร็ว ให้ดึงก้านเข้าหาตัวคุณ และเมื่อต้องการเพิ่มความเร็ว ให้ปรับก้านไปทางด้านหน้า

การใช้หัวเลียบสำหรับปล่อยหม้อคลุมดิน

หัวเลียบสำหรับปล่อยหม้อคลุมดินจะทำให้คุณสามารถปล่อยหม้อที่ตัดแล้วลงบนดิน โดยจะไม่เก็บหญ้าที่ตัดแล้วในตะกร้าเก็บหญ้า เมื่อคุณใช้งานเครื่องมือกับหัวเลียบสำหรับปล่อยหม้อคลุมดิน ตรวจสอบให้แน่ใจว่าถอดตะกร้าเก็บหญ้าหรือรางปล่อยหม้อแล้ว

ข้อสังเกต: เมื่อใช้เครื่องมือที่มีหัวเลียบสำหรับปล่อยหม้อคลุมดิน ตรวจสอบให้แน่ใจว่าความยาวของหญ้าหลังจากตัดเป็น 30 mm หรือมากกว่า และความยาวในการตัดเป็น 15 mm หรือน้อยกว่า

▶ **หมายเลข 32:** (1) 30 mm หรือมากกว่า (2) 15 mm หรือน้อยกว่า

การใช้รางปล่อยหญ้า

รางปล่อยหญ้าจะทำให้คุณสามารถปล่อยหญ้าที่ตัดแล้วลงบนพื้นจากทางด้านขวาของเครื่องมือโดยไม่เก็บหญ้าไว้ในตะกร้าเก็บหญ้า เมื่อคุณใช้งานเครื่องมือกับรางปล่อยหญ้า ตรวจสอบให้แน่ใจว่าได้นำตะกร้าเก็บหญ้าและหัวเลียบสำหรับปล่อยหม้อคลุมดินออกแล้ว

การใช้ช่องปล่อยเศษหญ้าด้านหลัง

การใช้ช่องปล่อยเศษหญ้าด้านหลังจะทำให้คุณปล่อยหญ้าที่ตัดแล้วลงบนพื้นจากทางด้านหลังของเครื่อง โดยจะไม่เก็บหญ้าที่ตัดแล้วในตะกร้าเก็บหญ้า

เมื่อคุณใช้งานเครื่องโดยใช้ช่องปล่อยเศษหญ้าด้านหลัง ตรวจสอบให้แน่ใจว่าได้ถอดหัวเลียบสำหรับปล่อยหม้อคลุมดิน ตะกร้าเก็บหญ้า และรางปล่อยหม้อออกแล้ว รวมถึงปิดฝาครอบด้านหลังแล้ว

ระบบไฟฟ้า

เครื่องนี้มีฟังก์ชันอิเล็กทรอนิกส์สำหรับการใช้งานที่ง่ายตาย

- ระบบซอฟต์แวร์สถานะขับเคลื่อนฟังก์ชันซอฟต์แวร์จะลดอาการกระตุกขณะสตาร์ทเครื่อง และทำให้เครื่องเริ่มทำงานได้อย่างราบรื่น
- เบรกไฟฟ้าเครื่องมือนี้อัตโนมัติ หากเครื่องไม่สามารถทำการหยุดโดยมีเครื่องตัดหญ้าได้อย่างรวดเร็วหลังจากปล่อยคันสวิตช์ ให้นำเครื่องไปซ่อมที่ศูนย์บริการที่ได้รับบริการรับรองจาก Makita

การใช้งาน

การตัดหญ้า

คำเตือน: ก่อนตัดหญ้า ให้กำจัดแท่งไม้และหินออกจากพื้นที่ตัดหญ้า นอกจากนี้ ให้กำจัดวัชพืชจากพื้นที่ตัดหญ้าก่อน

คำเตือน: ใส่แว่นตานิรภัยหรือแว่นนิรภัยที่มีที่ป้องกันด้านข้างเมื่อใช้งานเครื่องตัดหญ้า

ข้อควรระวัง: หากหญ้าที่ตัดหรือวัตถุแปลกปลอมอุดตันอยู่ด้านในตัวเครื่องตัดหญ้า ตรวจสอบให้แน่ใจว่าได้ถอดปลั๊กแบตเตอรี่ออกและใส่ถุงมือแล้วก่อนนำหญ้าหรือวัตถุแปลกปลอมออก

ข้อสังเกต: ใช้เครื่องนี้สำหรับการตัดหญ้าในสนามหญ้าเท่านั้น อย่าตัดวัชพืชด้วยเครื่องนี้

▶ **หมายเลข 33**

จับมือจับให้มั่นด้วยมือทั้งสองข้างขณะตัดหญ้า แนวโน้มความเร็วในการตัดหญ้าจะประมาณ 7 ถึง 14 เมตรต่อ 10 วินาที

▶ **หมายเลข 34**

หมายเหตุ: เมื่อตัดหญ้าที่ยาวหรือหนาแน่น หากความยาวของหญ้าไม่เท่ากัน หรืองานไม่เรียบร้อยหลังการตัดหรือพบว่าความเร็วของมอเตอร์ลดลงในระหว่างการตัด ให้ลดความเร็วของมอเตอร์ลงให้ต่ำกว่าที่แนะนำในคู่มือนี้เพื่อเพิ่มความสูงในการตัด

เส้นตรงกลางของล้อหน้าเป็นแนวนำบอกความกว้างในการตัดหญ้า ใช้เส้นตรงกลางเป็นแนวนำในการตัดหญ้าเป็นแถวๆ ให้ตัดเหลื่อมครึ่งหนึ่งหรือหนึ่งในสามของแถวที่ตัดก่อนหน้าจะทำให้ตัดหญ้าในสนามได้เท่ากัน

▶ **หมายเลข 35:** 1. ความกว้างในการตัดหญ้า 2. พื้นที่เหลื่อม 3. เส้นตรงกลาง

เปลี่ยนทิศทางการตัดหญ้าทุกครั้งที่ตัดเพื่อป้องกันไม่ให้ลายหญ้ามีรูปแบบแคคทิศทางเดียว

▶ **หมายเลข 36**

ตรวจสอบหญ้าที่ตัดได้ในตะกร้าเก็บหญ้าเป็นระยะ เทหญ้าออกจากตะกร้าก่อนตะกร้าเต็ม ก่อนการตรวจสอบตามระยะทุกครั้ง ตรวจสอบให้แน่ใจว่าได้หยุดเครื่องและปิดเครื่องแล้ว

ข้อสังเกต: การใช้เครื่องตัดหญ้าที่ตะกร้าเก็บหญ้าเต็มจะทำให้ใบมีดไม่หมุนอย่างราบรื่นและทำให้มอเตอร์ทำงานโหลดเป็นพิเศษ ซึ่งอาจทำให้มอเตอร์เสียหายได้

การตัดหญ้าที่ยาว

อย่าพยายามตัดหญ้าที่ยาวในครั้งเดียว แต่ควรตัดหญ้าหลายๆ ครั้งแทน เว้นระยะเวลาไว้หนึ่งหรือสองวันระหว่างการตัดแต่ละครั้งจนกว่าหญ้าในสนามจะสั้นเท่ากัน

▶ **หมายเลข 37**

หมายเหตุ: การตัดหญ้าที่ยาวให้สั้นในครั้งเดียวอาจทำให้หญ้าตายได้ หญ้าที่ตัดแล้วอาจเข้าไปปิดด้านบนของตัวเครื่องตัดหญ้า

หมายเหตุ: หากความยาวของหญ้าไม่เท่ากัน หรืองานไม่เรียบร้อยหลังการตัด หรือพบว่าความเร็วของมอเตอร์ลดลงในระหว่างการตัดหญ้า ให้ลดความเร็วของการตัด หรือเพิ่มความสูงในการตัด

การเทหญ้าออกจากตะกร้าเก็บหญ้า

คำเตือน: หากต้องการลดความเสี่ยงในการเกิดอุบัติเหตุ ให้ตรวจสอบความเสียหายหรือความแข็งแรงที่ลดลงของตะกร้าเก็บหญ้าเป็นประจำ เปลี่ยนตะกร้าเก็บหญ้าใหม่หากจำเป็น

1. ปลดยก้านสวิทช์และก้านขับ
2. ปิดเครื่อง
3. เปิดฝาปิดด้านหลังและนำตะกร้าเก็บหญ้าออกโดยจับมือจับไว้

▶ **หมายเลข 38:** 1. ฝาปิดด้านหลัง 2. ที่จับ 3. ตะกร้าเก็บหญ้า

4. เทหญ้าออกจากตะกร้าเก็บหญ้า

การบำรุงรักษา

คำเตือน: ตรวจสอบให้แน่ใจทุกครั้งว่าถอดคัตลิบ แบตเตอรี่ออกจากเครื่องมือแล้วก่อนทำการจัดเก็บหรือเคลื่อนย้ายเครื่องมือ หรือพยายามทำการตรวจสอบหรือบำรุงรักษาเครื่องมือ

คำเตือน: ใส่ถุงมือขณะทำการตรวจสอบหรือบำรุงรักษา

คำเตือน: สวมใส่แว่นกันฝุ่นนิรภัยหรือแว่นตานิรภัยที่มีหน้ากากป้องกันด้านข้างเสมอ เมื่อทำการตรวจสอบหรือบำรุงรักษา

ข้อสังเกต: อย่าใช้น้ำมันเชื้อเพลิง เบนซิน ทินเนอร์ แอลกอฮอล์ หรือวัสดุประเภทเดียวกัน เนื่องจากอาจทำให้ลื่นลื่นฉลวย เสียรูป หรือแตกเร็วได้

เพื่อความปลอดภัยและน่าเชื่อถือของผลิตภัณฑ์ ควรให้ศูนย์บริการหรือโรงงานที่ผ่านการรับรองจาก Makita เป็นผู้ดำเนินการซ่อมแซม บำรุงรักษาและทำการปรับตั้งอื่นๆ นอกจากนี้ให้ใช้อะไหล่ของแท้จาก Makita เสมอ

การบำรุงรักษา

1. ถอดคัตลิบ แบตเตอรี่ และจากนั้นปิดฝาครอบแบตเตอรี่
2. วางเครื่องตัดหญ้าในแนวตะแคง ทำความสะอาด กรรไกรตัดหญ้าที่มีหญ้าสะสมอยู่บนด้านใต้ของเด็คของเครื่องตัดหญ้า
3. เทน้ำไปทางด้านล่างของเครื่องซึ่งมีใบมีดติดตั้งอยู่

ข้อสังเกต: อย่าล้างเครื่องด้วยน้ำแรงดันสูง

4. ตรวจสอบน็อต สลักเกลียว สกรู ฯลฯ ทั้งหมดว่าแน่นดีแล้ว
5. ตรวจสอบความเสียหาย การแตก และการสึกหรอของชิ้นส่วนที่เคลื่อนไหว ต้องซ่อมแซมหรือเปลี่ยนชิ้นส่วนที่เสียหายหรือสูญหาย
6. เก็บเครื่องตัดหญ้าในที่ที่ปลอดภัย โดยให้อยู่ห่างจากเด็ก

ข้อสังเกต: อย่าเทน้ำลงบนบริเวณที่แสดงในภาพ การเทน้ำลงบนมอเตอร์อาจส่งผลให้เครื่องทำงานผิดปกติ

▶ **หมายเลข 39:** 1. บริเวณที่ไม่ควรเทน้ำลงไป

ข้อสังเกต: อย่าเห็นาลงบนเครื่องในขณะที่เครื่องอยู่ในตำแหน่งตั้งตรงตามที่แสดงในภาพ หากเครื่องอยู่ในตำแหน่งตั้งตรง น้ำอาจไหลลงไปในมอเตอร์ และทำให้เครื่องทำงานผิดปกติได้

▶ หมายเลข 40

การเคลื่อนย้ายเครื่องตัดหญ้า

ข้อควรระวัง: ก่อนขนย้ายเครื่องตัดหญ้า ตรวจสอบให้แน่ใจว่าได้ถอดลิ้นแบตเตอรี่แล้ว

เมื่อขนย้ายเครื่องตัดหญ้า ให้จับตามจับด้านหลังและขึ้นส่วนจับด้านล่างที่ด้านหน้าของเครื่องด้วยกันสองคนตามที่แสดงในภาพ

▶ หมายเลข 41: 1. ขึ้นส่วนจับด้านล่าง 2. ด้ามจับด้านหลัง

การจัดเก็บ

ข้อควรระวัง: เมื่อวางเครื่องในตำแหน่งตั้งตรง ให้วางเครื่องบนพื้นผิวที่ราบเสมอกัน หากวางเครื่องบนพื้นผิวที่ไม่เรียบ เครื่องอาจล้มและทำให้เกิดการบาดเจ็บได้

เก็บเครื่องตัดหญ้าไว้ในร่มในสถานที่ที่เย็น แห้ง และปิดล็อก อย่าเก็บเครื่องตัดหญ้าและเครื่องชาร์จไว้ในสถานที่ที่อุณหภูมิอาจสูงถึงหรือเกินกว่า 40 °C

1. ถอดลิ้นแบตเตอรี่
2. หมุนปุ่มหมุน 90° ขณะดึงปุ่มหมุนบนมือจับด้านล่างเพื่อคลายสลักล็อก ปฏิบัติตามขั้นตอนเดียวกันสำหรับอีกข้าง จากนั้นจึงพับมือจับ

▶ หมายเลข 42: 1. ปุ่มหมุน

หมายเหตุ: การรองรับที่จับจะทำให้ปลดสลักล็อกได้ง่ายขึ้นเมื่อดึงปุ่มหมุน

3. หมุนปุ่มหมุนของทั้งสองข้างไป 90° ตรวจสอบให้แน่ใจว่าปุ่มหมุนยึดแน่นแล้ว

▶ หมายเลข 43: 1. ปุ่มหมุน

ข้อสังเกต: ในขณะที่พับมือจับ ระวังอย่าให้หนีบสายไฟ

4. คลายมือจับของทั้งสองข้าง จากนั้นจึงพับมือจับด้านบนตามที่แสดงในภาพ

▶ หมายเลข 44: 1. มือจับบน 2. มือจับด้านบน

5. วางเครื่องในตำแหน่งตั้งตรง

หมายเหตุ: เมื่อวางเครื่องตัดหญ้าในตำแหน่งตั้งตรง อย่าจับเฉพาะมือจับเท่านั้น แต่ให้จับทั้งตัวเครื่องตัดหญ้าและมือจับ

6. จัดเก็บตะกร้าเก็บหญ้าตามที่แสดงในภาพ

▶ หมายเลข 45: 1. ตะกร้าเก็บหญ้า

▶ หมายเลข 46: 1. ตะกร้าเก็บหญ้า

การถอดหรือการติดตั้งใบมีดเครื่องตัดหญ้า

คำเตือน: ใบมีดจะยังหมุนอยู่อีกสองสามวินาทีหลังจากปล่อยสวิตช์แล้ว อย่าเริ่มการทำงานจนกว่าใบมีดจะหยุดสนิทแล้ว

คำเตือน: ถอดลิ้นแบตเตอรี่ทุกครั้งเมื่อทำการถอดหรือติดตั้งใบมีด การไม่ถอดลิ้นแบตเตอรี่นี้อาจจะเป็นสาเหตุของการบาดเจ็บร้ายแรงได้

คำเตือน: ใส่ถุงมือขณะจับใบมีดเสมอ

การถอดใบมีดเครื่องตัดหญ้า

1. วางเครื่องตัดหญ้าตะแคงเพื่อให้ก้านปรับความสูงในการตัดหญ้าอยู่ด้านบน

2. สำหรับการล็อกใบมีด ให้ใส่สลักลงในรูบนตัวเครื่องตัดหญ้าจนสุด

3. หมุนสลักเกลียวทวนเข็มนาฬิกาด้วยประแจแหวนเบอร์ 17

▶ หมายเลข 47: 1. ใบมีดเครื่องตัดหญ้า 2. สลัก 3. ประแจแหวน

4. ถอดสลักเกลียว แล้วถอดใบมีดเครื่องตัดหญ้า

▶ หมายเลข 48: 1. ที่รองรับใบมีด 2. ใบมีดเครื่องตัดหญ้า 3. สลักเกลียว 4. ส่วนที่ยื่นออกมา

ข้อสังเกต: เมื่อทำการติดตั้งใบมีดเครื่องตัดหญ้า ตรวจสอบให้แน่ใจว่าส่วนที่ยื่นออกมาบนที่รองรับใบมีดประกอบลงรูของใบมีดเครื่องตัดหญ้าพอดี

การติดตั้งใบมีดเครื่องตัดหญ้า

คำเตือน: ติดตั้งใบมีดเครื่องตัดหญ้าด้วยความระมัดระวัง ใบมีดมีด้านบน/ด้านล่าง

คำเตือน: ชันสลักเกลียวตามเข็มนาฬิกาให้แน่นเพื่อยึดใบมีด

คำเตือน: ตรวจสอบให้แน่ใจว่าใบมีดเครื่องตัดหญ้าและชิ้นส่วนยึดทั้งหมดถูกติดตั้งอย่างถูกต้องและขันแน่นดีแล้ว

คำเตือน: เมื่อคุณเปลี่ยนใบมีด ให้ทำตามคำแนะนำที่มีอยู่ในคู่มือการใช้งานนี้เสมอ

ข้อสังเกต: หลังจากติดตั้งใบมีดเครื่องตัดหญ้าแล้ว ให้ถอดสลักออกจากตัวเครื่องตัดหญ้า

การติดตั้งใบมีดเครื่องตัดหญ้า ให้ทำตามขั้นตอนการถอดออกแบบย้อนกลับ

การแก้ไขปัญหา

ก่อนนำไปซ่อม ให้ทำการตรวจสอบด้วยตัวเองก่อน หากคุณพบปัญหาที่ไม่มีคำอธิบายในคู่มือนี้ อย่าพยายามถอดแยกส่วนประกอบเครื่องเอง โปรดสอบถามศูนย์บริการที่ได้รับบริการรับรองจาก Makita โดยใช้ชื่อรหัสของ Makita ในการซ่อมแซมเสมอ

สภาวะความผิดปกติ	สาเหตุที่เป็นไปได้ (การทำงานผิดปกติ)	การแก้ไข
เครื่องตัดหญ้าไม่ทำงาน	ยังไม่ได้ติดตั้งด้ามจับแบตเตอรี่	ติดตั้งด้ามจับแบตเตอรี่ที่ชาร์จแล้ว
	ปัญหาแบตเตอรี่ (ไฟต่ำ)	นำด้ามจับแบตเตอรี่ไปชาร์จอีกครั้ง หากการชาร์จแบตเตอรี่ไม่ได้อผล ให้เปลี่ยนด้ามจับแบตเตอรี่
มอเตอร์หยุดทำงานหลังจากใช้งานไปได้เล็กน้อย	ระดับการชาร์จของแบตเตอรี่ต่ำ	นำด้ามจับแบตเตอรี่ไปชาร์จอีกครั้ง หากการชาร์จแบตเตอรี่ไม่ได้อผล ให้เปลี่ยนด้ามจับแบตเตอรี่
	ความสูงในการตัดต่ำเกินไป	เพิ่มความสูงในการตัด
	หญ้าที่ตัดแล้วเข้าไปอุดตันในเครื่องตัดหญ้า	นำหญ้าที่อุดตันอยู่ออกจากเครื่องตัดหญ้า
มอเตอร์หมุนด้วยรอบความเร็วสูงสุดไม่ได้	ด้ามจับแบตเตอรี่ติดตั้งอย่างไม่ถูกต้อง	ติดตั้งด้ามจับแบตเตอรี่ตามที่อธิบายในคู่มือการใช้งานนี้
	กำลังของแบตเตอรี่ต่ำลง	นำด้ามจับแบตเตอรี่ไปชาร์จอีกครั้ง หากการชาร์จแบตเตอรี่ไม่ได้อผล ให้เปลี่ยนด้ามจับแบตเตอรี่
	ระบบขับเคลื่อนไม่ทำงานอย่างถูกต้อง	สอบถามศูนย์บริการที่ได้รับบริการรับรองในท้องถิ่นเพื่อซ่อมแซม
ใบมีดเครื่องตัดหญ้าไม่หมุน ⇒ หยุดเครื่องตัดหญ้าทันที!	สิ่งแปลกปลอม เช่น กิ่งไม้ ติดอยู่ที่ใกล้ใบมีด	เอาสิ่งแปลกปลอมออก
	ระบบขับเคลื่อนไม่ทำงานอย่างถูกต้อง	สอบถามศูนย์บริการที่ได้รับบริการรับรองในท้องถิ่นเพื่อซ่อมแซม
การสั่นสะเทือนผิดปกติ ⇒ หยุดเครื่องตัดหญ้าทันที!	ใบมีดไม่สมดุล สึกหรือมาก หรือสึกหรอไม่เท่ากัน	เปลี่ยนใบมีด

อุปกรณ์เสริม

⚠ ข้อควรระวัง: ขอแนะนำให้ใช้อุปกรณ์เสริมหรืออุปกรณ์ต่อพ่วงเหล่านี้กับเครื่องมือของ Makita ที่ระบุไว้ในคู่มือนี้ การใช้อุปกรณ์เสริมหรืออุปกรณ์ต่อพ่วงอื่นอาจทำให้เกิดความเสี่ยงที่จะได้รับบาดเจ็บได้ ใช้อุปกรณ์เสริมหรืออุปกรณ์ต่อพ่วงตามวัตถุประสงค์ที่ระบุไว้เท่านั้น

หากต้องการทราบรายละเอียดเพิ่มเติมเกี่ยวกับอุปกรณ์เสริมเหล่านี้ โปรดสอบถามศูนย์บริการ Makita ใกล้บ้านคุณ

- ใบมีดเครื่องตัดหญ้า

- แบตเตอรี่และเครื่องชาร์จ Makita ของแท้

หมายเหตุ: อุปกรณ์บางชิ้นในรายการอาจมีมาให้ในชุดผลิตภัณฑ์เป็นอุปกรณ์มาตรฐาน ซึ่งอาจแตกต่างกันไปในแต่ละประเทศ

Makita Corporation
3-11-8, Sumiyoshi-cho,
Anjo, Aichi 446-8502 Japan
www.makita.com

885994-375
EN, ZHCN, ID, MS,
VI, TH
20221005