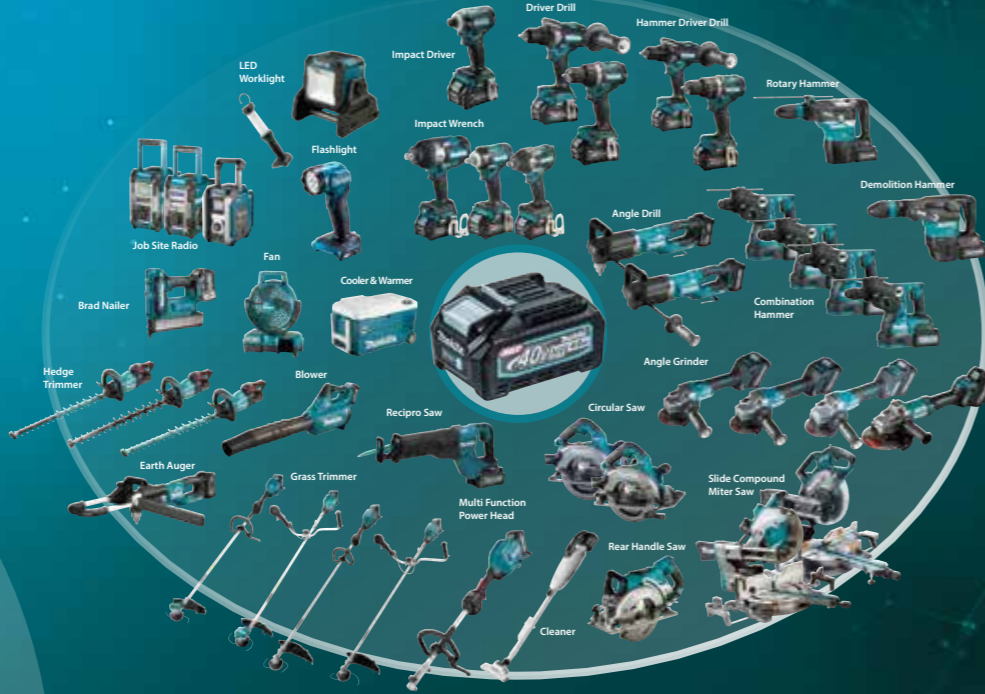


High Power
Durability
Digital Communication

Satisfy Professional's Needs



Cordless Plunge Cut Saw
SP001G 165 mm (6-1/2")



Accessories

T.C.T Saw blade



- Make big reducing stress of cutting
- Tip's shape of New type

No. of Teeth	Plate (mm)	Kerf (mm)	Rake (degree)	Wood	MDF	Laminate	Aluminum	CORIAN®	Part No.
56	1.0	1.45	23°	✓	✓	✓			EFFICUT B-57364
28	1.6	2.2	15°	✓					B-07434
48	1.25	1.85	8°	✓					B-56166
60	1.4	2.0	5°		✓	✓			B-56677
56	1.4	2.0	-3°				✓		B-56655
56	1.7	2.4	-3°				✓		B-07440
48	1.4	2.0	5°					✓	B-56683
48	1.7	2.4	5°					✓	B-10344

Guide rail & Guide rail protective holder

Length	Guide rail	Guide rail protective holder
	Part No.	Part No.
1,000 mm	199140-0	-
1,400 mm	194368-5	E-05664
1,900 mm	194925-9	E-10920
3,000 mm	194367-7	-



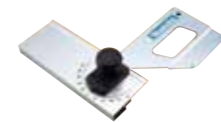
Guide rail joint connector 2pcs set



Bevel guide set

Adjustable angle of Guide rail

Part No. 196664-7



Clamp set

(use with Guide rail)

Standard: Part No. 194385-5
Quick: Part No. 199826-6



Guide rule

(Sub base)

Part No. 165447-6



Charging Time

	DC40RA Fast Charging	DC40RC
BL4020 2.0Ah	22 min	30 min
*BL4025 2.5Ah	28 min	38 min
*BL4040 4.0Ah	45 min	67 min
*BL4050F 5.0Ah	50 min	85 min

* Recommended battery

Cordless Plunge Cut Saw

SP001G 165 mm (6-1/2")

Variable Speed	Blade Diameter	165 mm (6-1/2")
Brake	Max Cutting Capacity	90°: 56 mm (2-3/16") 45°: 40 mm (1-9/16") 48°: 38mm (1-1/2")
Constant Speed	No Load Speed (RPM)	2,500 - 4,900
Soft Start	Vibration Level	2.5 m/s ² or less
Dust Collection	Sound Pressure Level	89 dB(A)
Carrying Case	Sound Power Level	100 dB(A)
	Dimensions (L x W x H)	w/o Battery: 347x221x271 mm (13-5/8"x8-3/4"x10-5/8") w/ BL4040: 375x221x271 mm (14-3/4"x8-3/4"x10-5/8")
	Net weight	4.4 - 5.0 kg (9.7 - 11.0 lbs.)

Standard Equipment: TCT Saw Blade, Hex Wrench, Wireless Unit (country-specific), Battery, Charger

The weight may differ depending on the attachment(s), including the battery cartridge. The lightest and heaviest combination, according to EPTA-Procedure 01/2014, are shown in the table.

Items of standard equipment and specifications may vary by country or area.



Makita Singapore Pte Ltd
7, Changi South Street 3, Singapore 486348
Phone : +65-6546-8700 Fax : +65-6546-8711
Email : msgproductteam@makita.com.sg
Website : www.makita.com.sg
Facebook : www.facebook.com/MakitaSG



VISIT OUR WEBSITE



DOWNLOAD LEAFLET

PRINTED IN SINGAPORE





Constant speed control

provides consistent surface finish.



Max Cutting Capacity **56** mm



Can be attached to the guide rail (option) without an adapter

- 40Vmax Li-ion battery
- Brushless DC motor
- **EFFICUT** saw blade

BL
MOTOR

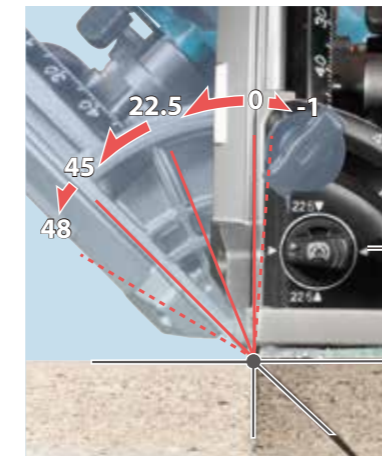
Cutting Performance

40 x 600mm Kitchen board (Laminated wood) cutting, Bevel angle: 0°

150 (with BL4040*)
cuts

The test results depend to a great extent on the hardness of the test material, etc.
*on a single full charge

Bevel cut



Bevel range
:: -1 to 48 degrees

Positive stopper

Precision bevel cut

The position of cutting line is always the same regardless of bevel angle in cutting with Guide Rail attached.

Easy to plunge cutting



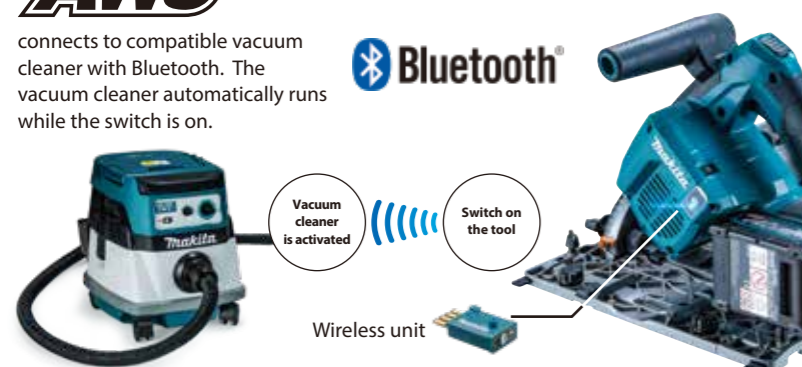
Depth stopper for splinter-free cutting

Enables to easily cut a preliminary groove at a depth of 2mm (1/16") for splinter-free cuts.



AWS Auto-start Wireless System

connects to compatible vacuum cleaner with Bluetooth. The vacuum cleaner automatically runs while the switch is on.



Rotatable dust nozzle



Added two leaf springs enable to twist and lock the nozzle with a click in order to reduce unexpected rotation.

XPT eXtreme Protection Technology

Engineered for improved dust and water resistance for operation in harsh conditions



Variable speed control by dial

An optimum cutting speed can be selected to suit application.



Electric brake

enables you to start next operation quickly.



Soft start

minimizes start-up shock, and makes the tool start smoothly.