



Portable Cut-off  
DLW140 355 mm (14")



# World's First Cordless Portable Cut-off

(as of October 1, 2018)



Cutting work  
Amount

**130**cuts

75 x 45mm, T : 0.8mm metal stud  
with BL1850B x 2



# 18V + 18V → 36V



### Toolless replacement of abrasive cut-off wheel



### Electric brake

### Quick release vise



### Carry handle for easy transport to job site



### Large spark guard



### Load status indicator



As the motor load increases, the lighting lamp increases.

### Toolless adjustment of guide plate



allows for easy adjustment of the guide plate by simple handling

- 3 stage position change
- 0 to 45 degree angle adjustment


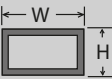
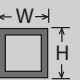

### Saw head locking by pin lock



makes it easy to lock down the saw head for storage and transport.

## Cutting Capacity

A workpiece thinner than 1.6 mm is recommended for cutting with this tool.

Form of materials	Miter angle	
	0°	45°
	D : $\phi 127\text{mm}$ (5")	D : $\phi 127\text{mm}$ (5")
	H x W : 115 x 130 (4-1/2" x 5-1/8") 102 x 194mm (4" x 7-5/8") 70 x 233mm (2-3/4" x 9-1/8")	H x W : 115 x 103mm (4-1/2" x 4-1/16")
	H x W : 119 x 119mm (4-11/16" x 4-11/16")	H x W : 106 x 106mm (4-3/16" x 4-3/16")
	S x S : 137 x 137mm (5-3/8" x 5-3/8")	S x S : 100 x 100mm (4" x 4")

D : Diameter W : Width H : Height S : Side

## Accessory

### Abrasive cut-off wheel



For all ferrous materials (Steel, cast iron) and other hard metals.

Size (mm) : 355x2.5x25.4  
Grit : A36P-BF

Part No.  
B-64696



## Portable Cut-off DLW140 355 mm (14")

-  Brake
-  Soft Start

Wheel Diameter	355 mm (14")
Hole Diameter	25.4 mm (1")
No Load Speed (RPM)	3,800
Max Output	1,300 W
Vibration Level	2.5 m/s <sup>2</sup>
Sound Pressure Level	103 dB
Sound Power Level	115dB
Dimensions (L x W x H)	537x290x640 mm (21-1/8"x11-3/8"x25-1/4")
Net weight	17.2 - 17.8 kg (37.9 - 39.3 lbs.)

Standard Equipment : Abrasive Cut-Off Wheel

The weight may differ depending on the attachment(s), including the battery cartridge.  
The lightest and heaviest combination, according to EPTA-Procedure 01/2014, are shown in the table.  
Items of standard equipment and specifications may vary by country or area.

## Makita Singapore Pte Ltd

7, Changi South Street 3, Singapore 486348  
Phone : +65-6546-8700 Fax : +65-6546-8711  
Email : msgproductteam@makita.com.sg  
Website : www.makita.com.sg  
Facebook : www.facebook.com/MakitaSG



VISIT OUR WEBSITE



DOWNLOAD LEAFLET

PRINTED IN SINGAPORE