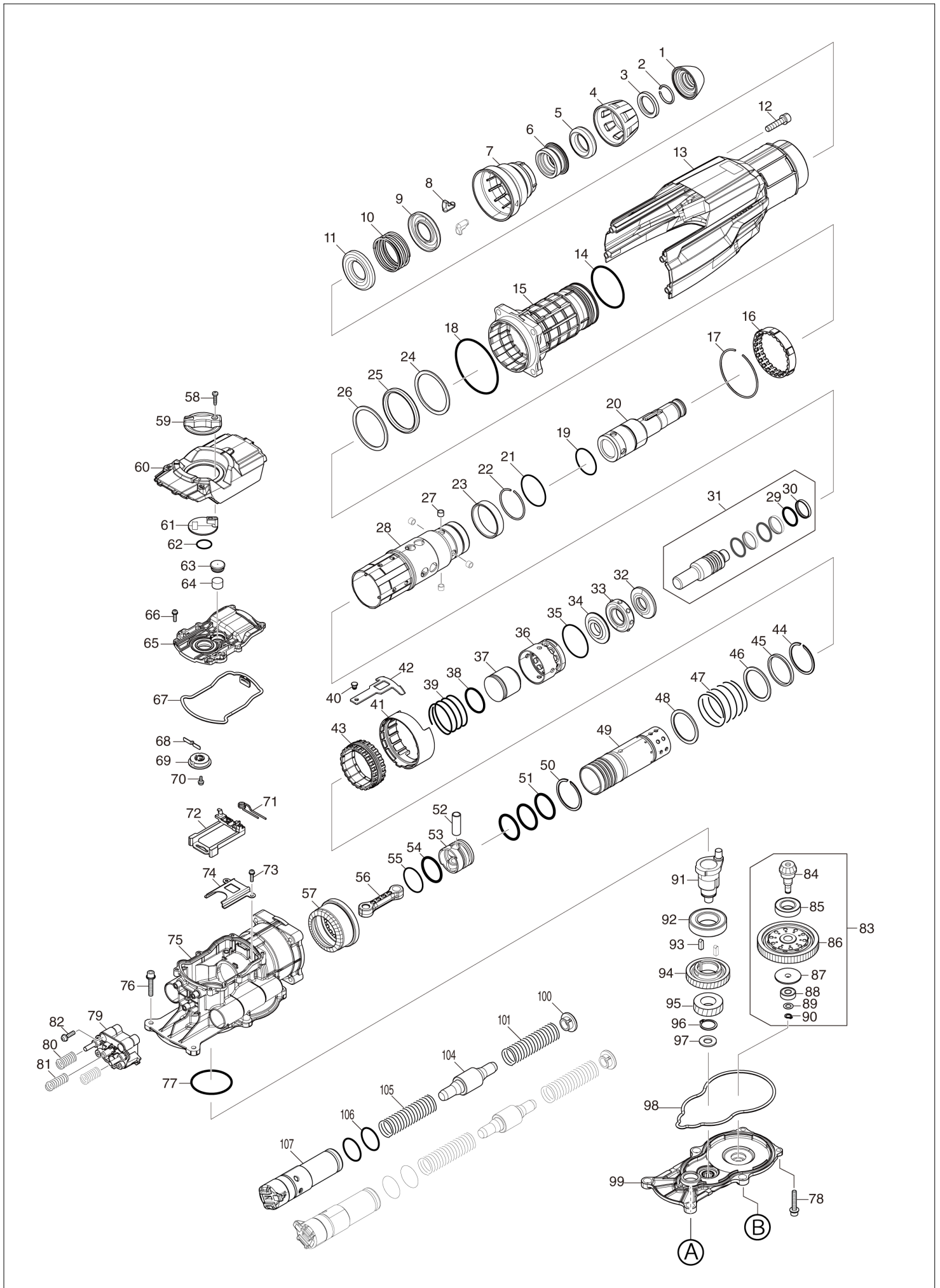
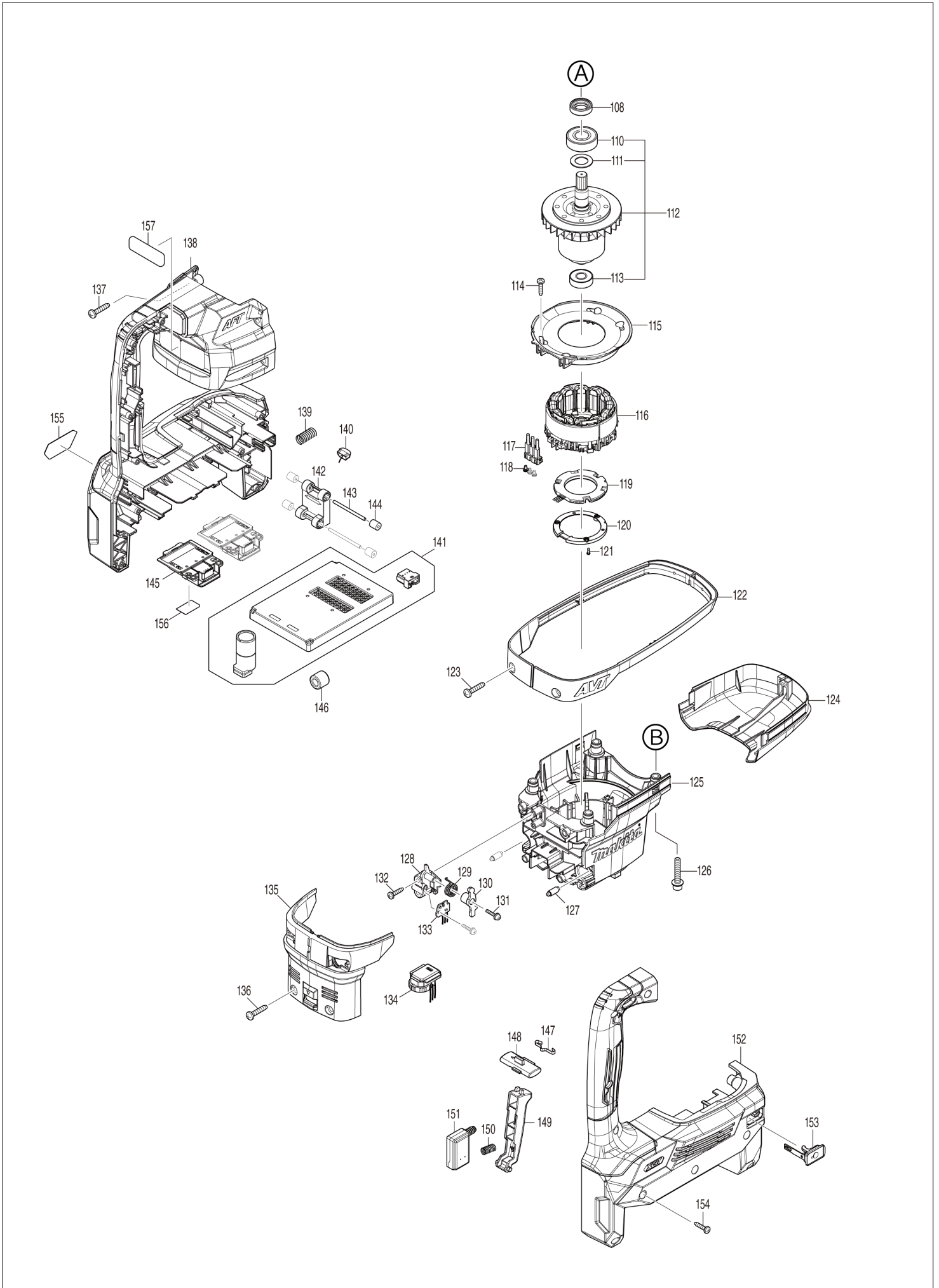


# (QA) HR006G / 52MM CORDLESS ROTARY HAMMER



# (QA) HR006G / 52MM CORDLESS ROTARY HAMMER



## HR006G / 52MM CORDLESS ROTARY HAMMER

Item	Sub	Parts No.	Parts Description	Qty	I/C	E/C No.	Close No.	Remark
001		286292-7	TOOL HOLDER CAP	1				
002		233948-3	RING SPRING 25	1				
003		257367-9	RING 28	1				
004		454767-6	CHUCK COVER	1				
005		262172-1	RUBBER RING 29	1				
006		327868-2	CHUCK RING	1				
007		454768-4	RELEASE COVER	1				
008		310178-4	TOOL RETAINER	2				
009		346751-4	SPRING GUIDE	1				
010		234317-1	COMPRESSION SPRING 49	1				
011		346751-4	SPRING GUIDE	1				
012		922456-6	HEX. SOCKET HEAD BOLT M8X35	4				
013		140Y01-7	HOUSING COVER COMPLETE	1				
	C10	810100-6	CAUTION LABEL	1				
014		213664-3	O RING 60	1				
015		142408-3	BARREL COMPLETE	1				
	C10	213663-5	O RING 55	1				
	C20	213778-8	OIL SEAL 42	1				
	C30	214603-6	PLANE BEARING 49	1				
	C40	259056-2	RING SPRING 54	1				
016		454769-2	LOCK SLEEVE	1				
017		259057-0	RING SPRING 74	1				
018		213766-5	O-RING 78	1				
019		213789-3	O-RING 38	1				
020		327735-1	TOOL HOLDER A	1				
021		213779-6	O-RING 45	1				
022		231989-3	RING SPRING 46	1				
023		257353-0	RING 49	1				
024		267477-4	FLAT WASHER 60	1				
025		262171-3	RUBBER RING 60	1				
026		267477-4	FLAT WASHER 60	1				
027		268308-0	PIN 9	4				
028		326362-1	TOOL HOLDER B	1				
029		213394-6	O RING 23	3				
030		213431-6	FLUORIDE RING 28	3				
031		136413-0	IMPACT BOLT ASSY	1				
	D10		INC. 29,30					
032		324756-4	RING 20	1				
033		424000-0	RUBBUR RING 24	1				
034		327734-3	SHOULDER WASHER 20	1				
035		213783-5	O-RING 48	1				
036		413263-3	SLIDE SLEEVE	1				
037		327731-9	STRIKER	1				
038		213781-9	O-RING 33	1				
039		234318-9	COMPRESSION SPRING 45	1				
040		256548-2	FLAT FILLISTER HEAD PIN 6	1				
041		454779-9	GUIDE RING	1				
042		346749-1	LINK PLATE	1				
043		313272-1	DRIVING SLEEVE	1				
044		257994-2	RETAINING RING(EXT)WR-44	1				
045		257355-6	RING 44	1				
046		267478-2	FLAT WASHER 44	1				
047		234319-7	COMPRESSION SPRING 46	1				
048		267478-2	FLAT WASHER 44	1				
049		327730-1	CYLINDER 40	1				
050		257994-2	RETAINING RING(EXT)WR-44	1				
051		213460-9	O RING 35	3				
052		257820-5	SLEEVE 9	1				
053		312A68-3	PISTON	1				
054		213782-7	O-RING 30	1				
055		213460-9	O RING 35	1				
056		413261-7	CONNECTING ROD	1				
057		227625-7	SPIRAL BEVEL GEAR 33	1				
058		265995-6	TAPPING SCREW 4X18	1				
059		454326-6	CHANGE LEVER	1				

Interchange  
O : Yes  
X : No  
< : the new part can be substituted for the current.  
> : the current part can be substituted for the new.  
S : Interchangeable as a set.

## HR006G / 52MM CORDLESS ROTARY HAMMER

Item	Sub	Parts No.	Parts Description	Qty	I/C	E/C No.	Close No.	Remark
060		312A70-6	CRANK CAP COVER	1				
061		454345-2	CRANK LEVER	1				
062		213262-3	O RING 18	1				
063		424607-2	FILTER CAP	1				
064		443129-3	FILTER	1				
065		454764-2	CRANK CAP	1				
066		911128-8	P.H.SCREW M4X16 WITH WR	6				
067		424608-0	SEAL RING B	1			D9116	
067-1		422787-8	SEAL RING B	1	<	D9116		
068		232280-2	LEAF SPRING	1				
069		413827-3	LINK LEVER	1				
070		911511-9	PAN HEAD SCREW M4X10	1				
071		233611-8	TORSION SPRING 7	1				
072		454778-1	LINK GUIDE	1				
073		911128-8	P.H.SCREW M4X16 WITH WR	2				
074		346748-3	GUIDE RAIL	1				
075		140Y00-9	CRANK HOUSING A COMPLETE	1			DA468	
075-1		141H08-4	CRANK HOUSING A COMPLETE	1	<	DA468		
076		922359-4	H.S.H.BOLT M6X35 WITH WG	2				
077		213662-7	O RING 55	1				
078		922359-4	H.S.H.BOLT M6X35 WITH WG	2				
079		413264-1	SPRING BASE	1				
080		232662-8	COMPRESSION SPRING 12	2				
081		232664-4	COMPRESSION SPRING 10	1				
082		911233-1	PAN HEAD SCREW M5X20	3				
083		127823-2	TORQUE LIMITER ASSEMBLY	1				
	D10		INC. 84-90					
084		227628-1	SPIRAL BEVEL GEAR 10	1				
085		210256-9	BALL BEARING 6904LLB	1				
086		142410-6	TORQUE LIMITER COMPLETE	1				
087		324727-1	SHOULDER WASHER 8	1				
088		210005-4	BALL BEARING 608DDW	1				
089		253215-0	FLAT WASHER 8	1				
090		961004-6	RETAINING RING (EXT) S-8	1				
091		327729-6	CRANK SHAFT	1				
092		210255-1	BALL BEARING 6006LLB	1				
093		254229-2	KEY 5	2				
094		227788-9	HELICAL GEAR 46	1				
095		227336-4	SPUR GEAR 26	1				
096		961102-6	RETAINING RING S-22	1				
097		253843-1	FLAT WASHER 12	1				
098		424609-8	SEAL RING A	1			D9116	
098-1		422786-0	SEAL RING A	1	<	D9116		
099		142409-1	GEAR HOUSING COMPLETE	1				
100		454774-9	SPRING PLATE	2				
101		233497-0	COMPRESSION SPRING 15	2				
104		326375-2	COUNTER WEIGHT	2				
105		233497-0	COMPRESSION SPRING 15	2				
106		213953-6	O RING 24	4				
107		141E52-3	HOLDER COMPLETE	2				
108		213231-4	OIL SEAL 15	1				
110		211228-7	BALL BEARING 6202DDW	1				
111		267215-4	FLAT WASHER 15	1				
112		519652-1	ROTOR ASSY	1			DE252	
	D10		INC. 110,111,113				DE252	
112-1		519652-1	ROTOR ASSY	1	O	DE252		
	D10		INC. 110,111,113			DE252		
113		210059-1	BALL BEARING 6000DDW	1				
114		265995-6	TAPPING SCREW 4X18	4				
115		413260-9	BAFFLE PLATE	1				
116		629A27-3	STATOR	1				
117		632R89-4	LEAD UNIT	1				
118		652031-1	PAN HEAD SCREW M3X6	3				
119		620E26-2	CONTROLLER B	1				
120		687B69-9	STOPPER	1				

Interchange  
O : Yes  
X : No  
< : the new part can be substituted for the current.  
> : the current part can be substituted for the new.  
S : Interchangeable as a set.

## HR006G / 52MM CORDLESS ROTARY HAMMER

Item	Sub	Parts No.	Parts Description	Qty	I/C	E/C No.	Close No.	Remark
121		266490-9	TAPPING SCREW PT 2X6	3				
122		454780-4	GUARD 52	1				
123		266041-8	TAPPING SCREW 5X25	2				
124		454763-4	GEAR HOUSING COVER	1				
125		413256-0	MOTOR HOUSING	1				
126		922359-4	H.S.H.BOLT M6X35 WITH WG	2			D9260	
126-1		922359-4	H.S.H.BOLT M6X35 WITH WG	2	O	D9260		
127		256380-4	SHOULDER PIN 4-6	2				
128		412985-2	BASE	1				
129		232643-2	TORSION SPRING 13	1				
130		140W48-9	LEVER COMPLETE	1				
131		263046-9	TAPPING SCREW 3X14	2				
132		265995-6	TAPPING SCREW 4X18	2				
133		620E28-8	SENSOR CIRCUIT	1				
134		620E29-6	DIAL CIRCUIT	1				
135		140X97-2	MOTOR HOUSING COVER COMPLETE	1				
	C10	422660-2	RUBBER SHEET	1				
136		266041-8	TAPPING SCREW 5X25	2				
137		266041-8	TAPPING SCREW 5X25	4				
138		183S32-7	HOUSING SET	1				
	C10	263005-3	RUBBER PIN 6	8				
	C20	347755-9	GUARD RAIL	2				
	C30	422646-6	CAP 10	2				
	C40	347782-6	PLATE	4				
	D10		INC. 152					
139		232663-6	COMPRESSION SPRING 8	1				
140		620E27-0	LED CIRCUIT	1				
141		620E25-4	CONTROLLER	1				
142		620E30-1	ACCELEROMETER CIRCUIT	1				
143		256886-2	ROD 3	2				
144		422472-3	SPONGE SLEEVE 3	4				
145		632R98-3	TERMINAL UNIT	2				
147		232152-1	LEAF SPRING	1				
148		412953-5	TRIGGER LOCK	1				
149		458097-7	SWITCH LEVER	1				
150		232418-9	COMPRESSION SPRING 5	1				
151		651083-9	SWITCH C3XA-1PSPM	1				
152		183S32-7	HOUSING SET	1				
	C10	263005-3	RUBBER PIN 6	8				
	C20	347755-9	GUARD RAIL	2				
	C30	422646-6	CAP 10	2				
	C40	347782-6	PLATE	4				
	D10		INC. 138					
153		140F99-0	CAP COMPLETE	1				
	C10	213218-6	O RING 16	1				
	C20	818H07-8	CAP LABEL	1				
154		265995-6	TAPPING SCREW 4X18	10				
155		8029M5-9	XGT LOGO LABEL	1				
156		811996-8	HR006G SERIAL NO. LABEL	1				
157		811990-0	HR006G NAME PLATE	1				
A01		194683-7	GREASE VESSEL SET	1				
A02		331955-1	DEPTH GAUGE	1				
A03		443122-7	CLOTH	1				
A04		135629-4	SIDE GRIP ASSEMBLY	1				
	C10	158131-0	GRIP 36 COMPLETE	1				
	C20	234226-4	COMPRESSION SPRING 6	1				
	C30	266163-4	CUP SQUARE NECK BOLT M8X80	1				
	C40	313223-4	RACK GUIDE	1				
	C50	344492-6	PLATE	1				
	C60	346750-6	GRIP SPRING 90	1				
	C70	453114-8	LOCK BUTTON	1				
	C80	454781-2	SIDE GRIP BASE 90	1				
A05		135283-4	SIDE HANDLE 90 ASSEMBLY	1				
	C10	252640-2	WING NUT M8	1				
	C20	265439-6	HEX. BOLT M8X150	1				

Interchange  
O : Yes  
X : No  
< : the new part can be substituted for the current.  
> : the current part can be substituted for the new.  
S : Interchangeable as a set.

