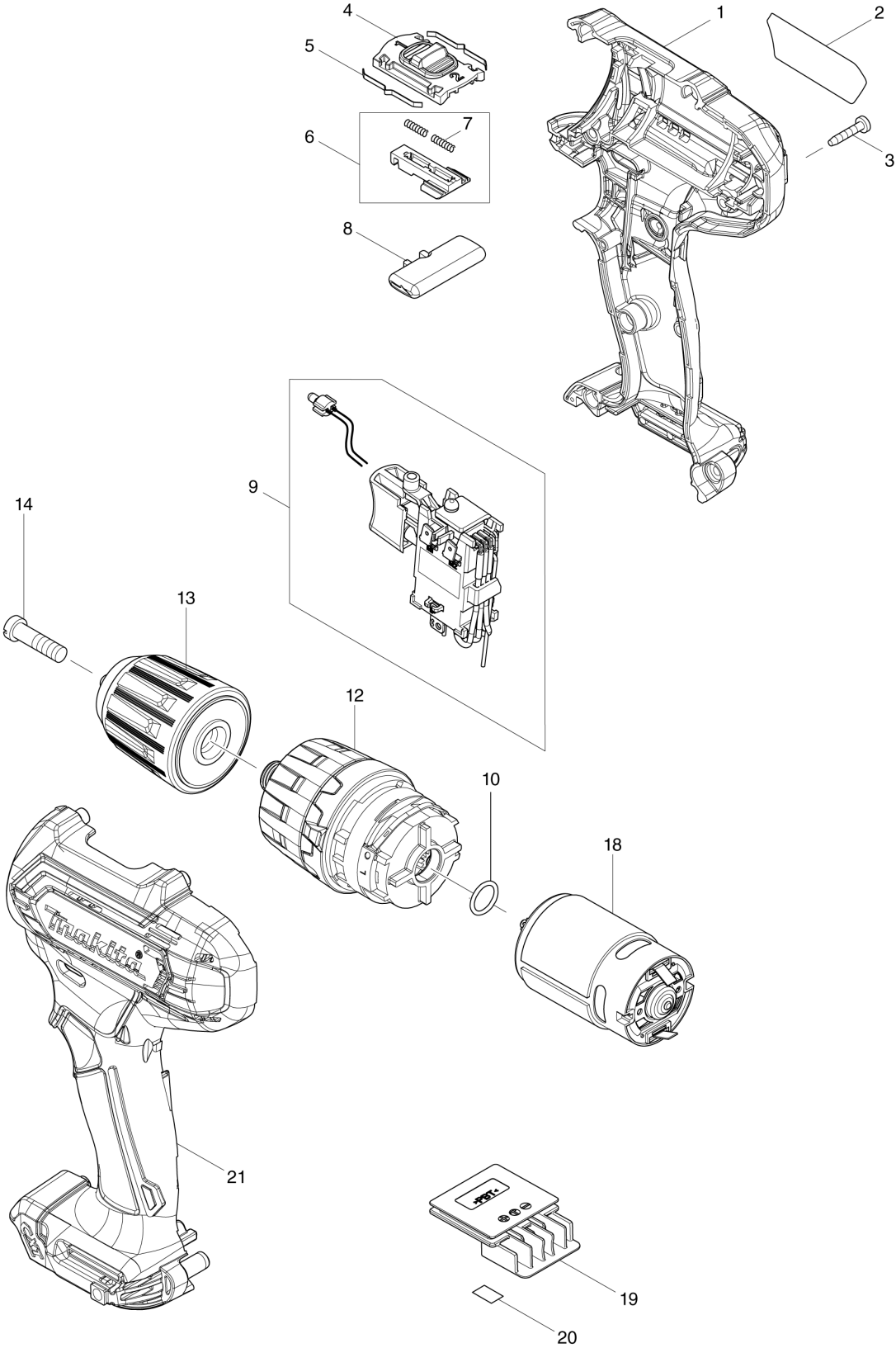


(SG) HP333D / CORDLESS HAMMER DRIVER DRILL



SG**SINGAPORE****HP333D / CORDLESS HAMMER DRIVER DRILL**

Item	Sub	Parts No.	Parts Description	Qty	I/C	E/C No.	Close No.	Remark
001		183K90-5	HOUSING SET	1				
	C10	252126-6	HEX. LOCK NUT M4-7	2				
	D10		INC. 21					
002		855E12-6	HP333D NAME PLATE	1				
003		266429-2	TAPPING SCREW 3X16	9				
004		459026-3	SPEED CHANGE LEVER	1				
005		232493-5	LEAF SPRING	2				
006		127127-2	CHANGE LEVER ASSEMBLY	1				
	D10		INC. 7					
007		233025-1	COMPRESSION SPRING 2	2				
008		456039-5	F/R CHANGE LEVER	1				
009		632J77-3	SWITCH UNIT	1				
	C10	620625-0	LED CIRCUIT	1				
010		213176-6	O RING 14	1		C6230		
012		127124-8	GEAR ASSEMBLY	1			DE105	
012-1		122C95-2	GEAR ASSEMBLY	1	<	DE105		
013		763238-5	KEYLESS DRILL CHUCK 10	1				
014		251468-5	- FLAT HEAD SCREW M6X22	1				
018		629395-8	DC MOTOR	1				
019		644813-5	TERMINAL	1				
020		855E19-2	HP333D SERIAL NO. LABEL	1				
021		183K90-5	HOUSING SET	1				
	C10	252126-6	HEX. LOCK NUT M4-7	2				
	D10		INC. 1					
A01		251314-2	+ SCREW M4X12	1				
A02		346909-5	HOOK	1				
A03		784202-3	PHILLIPS BIT 2-45	1			DC711	
A03-1		784043-7	+BIT 2-45	1	O	DC711		
A04B		821661-1	PLASTIC CARRYING CASE	1				
	C10	417724-5	LATCH	2				
A04C		821661-1	PLASTIC CARRYING CASE	1				
	C10	417724-5	LATCH	2				
A04D		821661-1	PLASTIC CARRYING CASE	1				
	C10	417724-5	LATCH	2				
A05B		818P48-2	HP333DWYE MODEL NO. LABEL	1				
A05C		818P52-1	HP333DSAE MODEL NO. LABEL	1				
A05D		818P56-3	HP333DSME MODEL NO. LABEL	1				
A08B		456128-6	BATTERY COVER	1				
A08C		456128-6	BATTERY COVER	1				
A08D		456128-6	BATTERY COVER	1				
A09B		***DC10WD	DC10WD BATTERY CHARGER	1				
	D10		COMPO-PARTS					
A09C		***DC10SB	DC10SB BATTERY CHARGER	1				
	D10		COMPO-PARTS					
A09D		***DC10SB	DC10SB BATTERY CHARGER	1				
	D10		COMPO-PARTS					
A10B		197393-5	BATTERY BL1016 SET	2				
A10C		197396-9	BATTERY BL1021B SET	2			C5226	
A10D		197406-2	BATTERY BL1041B SET	2			C5227	
A10-1C		197396-9	BATTERY BL1021B SET	2	O	C5226		
A10-1D		197406-2	BATTERY BL1041B SET	2	O	C5227		

B:HP333DWYE(H)
C:HP333DSAE(H)
D:HP333DSME(H)

Interchange

O : Yes

X : No

< : the new part can be substituted for the current.

> : the current part can be substituted for the new.

S : Interchangeable as a set.