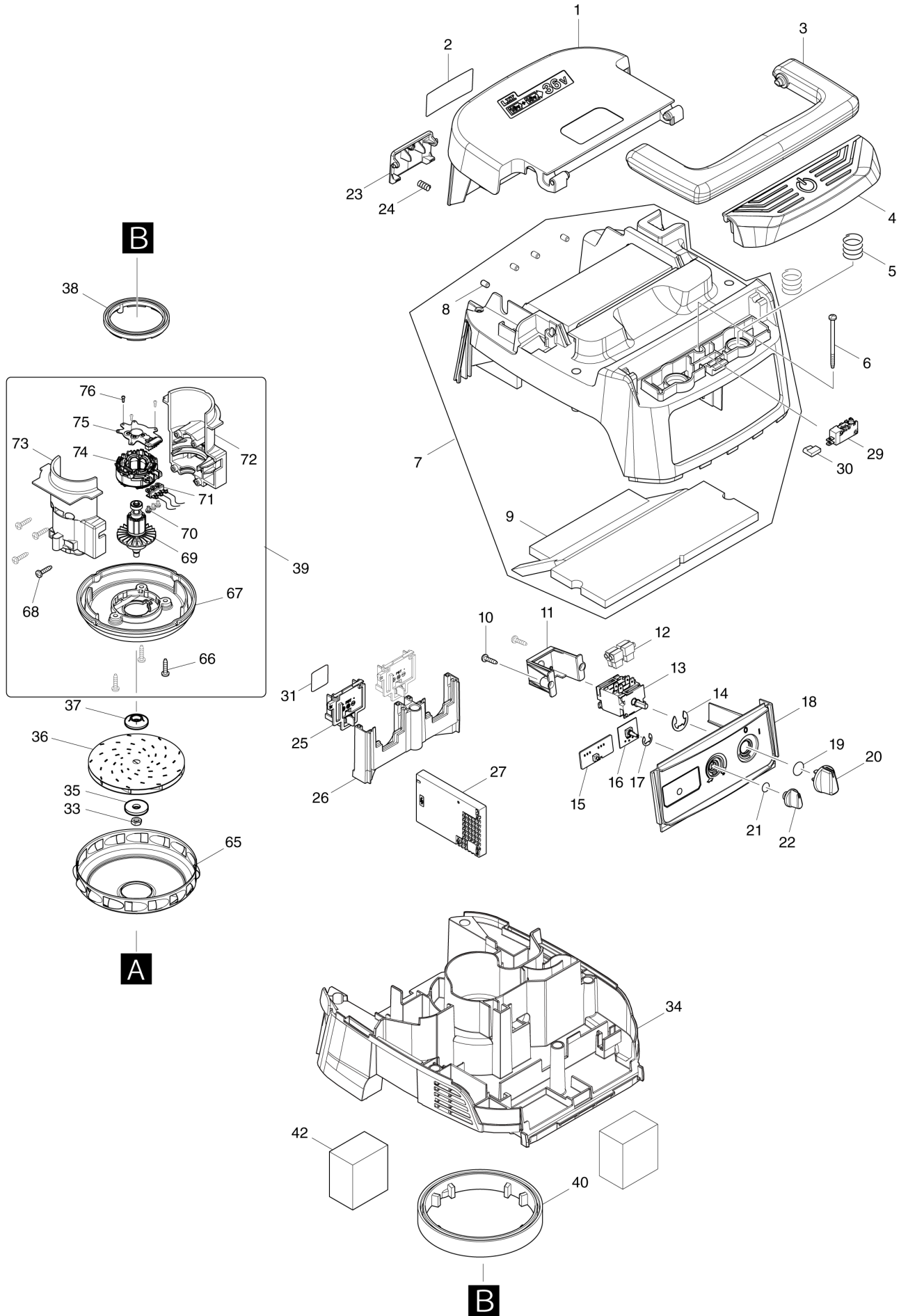
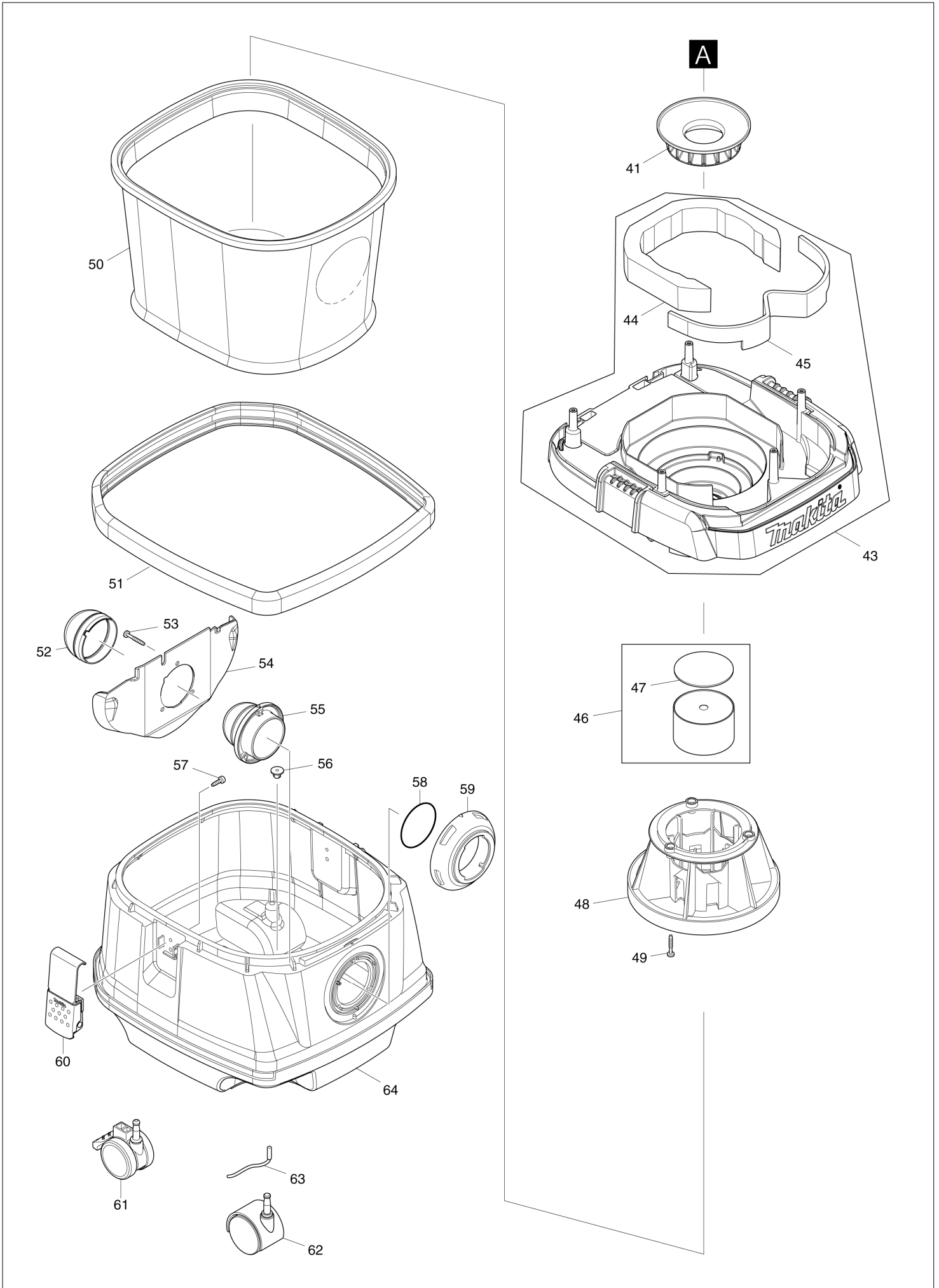


(QA) DVC865L / CORDLESS VACUUM CLEANER



(QA) DVC865L / CORDLESS VACUUM CLEANER



DVC865L / CORDLESS VACUUM CLEANER

| Item | Sub | Parts No. | Parts Description | Qty | I/C | E/C No. | Close No. | Remark |
|------|-----|-----------|--------------------------|-----|-----|---------|-----------|--------|
| 001 | | 143174-5 | BATTERY COVER COMPLETE | 1 | | | | |
| | C10 | 891977-8 | CAUTION LABEL | 1 | | | | |
| 002 | | 857B13-2 | DVC865L NAME PLATE | 1 | | | | |
| 003 | | 455734-4 | GRIP | 1 | | | | |
| 004 | | 459262-1 | SWITCH BUTTON | 1 | | | | |
| 005 | | 234273-5 | COMPRESSION SPRING 20 | 2 | | | | |
| 006 | | 266340-8 | TAPPING SCREW 4X65 | 6 | | | | |
| 007 | | 144409-7 | COWLING COMPLETE | 1 | | | | |
| | D10 | | INC. 8,9 | | | | | |
| 008 | | 263005-3 | RUBBER PIN 6 | 4 | | | | |
| 009 | | 424688-6 | TOP DAMPER | 1 | | | | |
| 010 | | 266326-2 | TAPPING SCREW 4X18 | 2 | | | | |
| 011 | | 451343-7 | SWITCH HOLDER | 1 | | | | |
| 012 | | 686023-8 | RECEPTACLE SLEEVE | 4 | | | | |
| 013 | | 650622-2 | SWITCH | 1 | | | | |
| 014 | | 961062-2 | STOP RING E-12 | 1 | | | | |
| 015 | | 620649-6 | LED CIRCUIT | 1 | | | | |
| 016 | | 631922-9 | SUB CONTROLLER | 1 | | | | |
| 017 | | 961013-5 | STOP RING E-7 | 1 | | | | |
| 018 | | 144479-6 | SWITCH BASE COMPLETE | 1 | | | | |
| | C10 | 812D41-6 | INDICATION LABEL | 1 | | | | |
| 019 | | 213176-6 | O RING 14 | 1 | | | | |
| 020 | | 455733-6 | SWITCH LEVER | 1 | | | | |
| 021 | | 213054-0 | O RING 9 | 1 | | | | |
| 022 | | 451344-5 | SWITCH DIAL | 1 | | | | |
| 023 | | 455728-9 | BATTERY COVER HOOK | 1 | | | | |
| 024 | | 231240-1 | COMPRESSION SPRING 7 | 1 | | | | |
| 025 | | 644808-8 | TERMINAL | 2 | | | | |
| 026 | | 455729-7 | TERMINAL BASE | 1 | | | | |
| 027 | | 620639-9 | CONTROLLER | 1 | | | | |
| 029 | | 651910-0 | SWITCH D2VW-01-3HS | 1 | | | | |
| 030 | | 686039-3 | RECEPTACLE SLEEVE | 1 | | | | |
| 031 | | 857B21-3 | DVC865L SERIAL NO. LABEL | 1 | | | | |
| 033 | | 252268-6 | HEX. NUT M6 | 1 | | | | |
| 034 | | 412581-6 | SEPARATOR | 1 | | | | |
| 035 | | 253752-4 | FLAT WASHER 8 | 1 | | | | |
| 036 | | 240178-9 | FAN 104 | 1 | | | | |
| 037 | | 313062-2 | FLANGE | 1 | | | | |
| 038 | | 424685-2 | RUBBER RING 60 | 1 | | | | |
| 039 | | 127602-8 | MOTOR ASSEMBLY | 1 | | | | |
| | D10 | | INC. 66-76 | | | | | |
| 040 | | 424686-0 | RUBBER RING 120 | 1 | | | | |
| 041 | | 422590-7 | SUPPORT RING | 1 | | | | |
| 042 | | 424690-9 | REAR BLOCK FILTER | 2 | | | | |
| 043 | | 143175-3 | TANK COVER COMPLETE | 1 | | | | |
| | D10 | | INC. 44,45 | | | | | |
| 044 | | 424691-7 | BAND DAMPER | 1 | | | | |
| 045 | | 424689-4 | FRONT DAMPER | 1 | | | | |
| 046 | | 158166-1 | FLOAT COMPLETE | 1 | | | | |
| | D10 | | INC. 47 | | | | | |
| 047 | | 423365-7 | SPONGE SEAL 70 | 1 | | | | |
| 048 | | 419725-9 | FLOAT CAGE | 1 | | | | |
| 049 | | 266374-1 | TAPPING SCREW 4X25 | 3 | | | | |
| 050 | | 140248-3 | CLOTH FILTER COMPLETE | 1 | | | | |
| 051 | | 422148-2 | BUMPER | 1 | | | | |
| 052 | | 424382-0 | RUBBER HOLDER | 1 | | | | |
| 053 | | 266257-5 | TAPPING SCREW 4X28 | 3 | | | | |
| 054 | | 419351-4 | HOLDER PLATE | 1 | | | | |
| 055 | | 419350-6 | HOLDER | 1 | | | | |
| 056 | | 421468-1 | CORD SEAL | 1 | | | | |
| 057 | | 266192-7 | TAPPING SCREW 4X14 | 4 | | | | |
| 058 | | 213655-4 | O RING 56 | 1 | | | | |
| 059 | | 451348-7 | INLET | 1 | | | | |
| 060 | | 168537-4 | HOOK | 2 | | | | |
| 061 | | 168535-8 | CASTER 50 | 2 | | | | |

Interchange
O : Yes
X : No
< : the new part can be substituted for the current.
> : the current part can be substituted for the new.
S : Interchangeable as a set.

