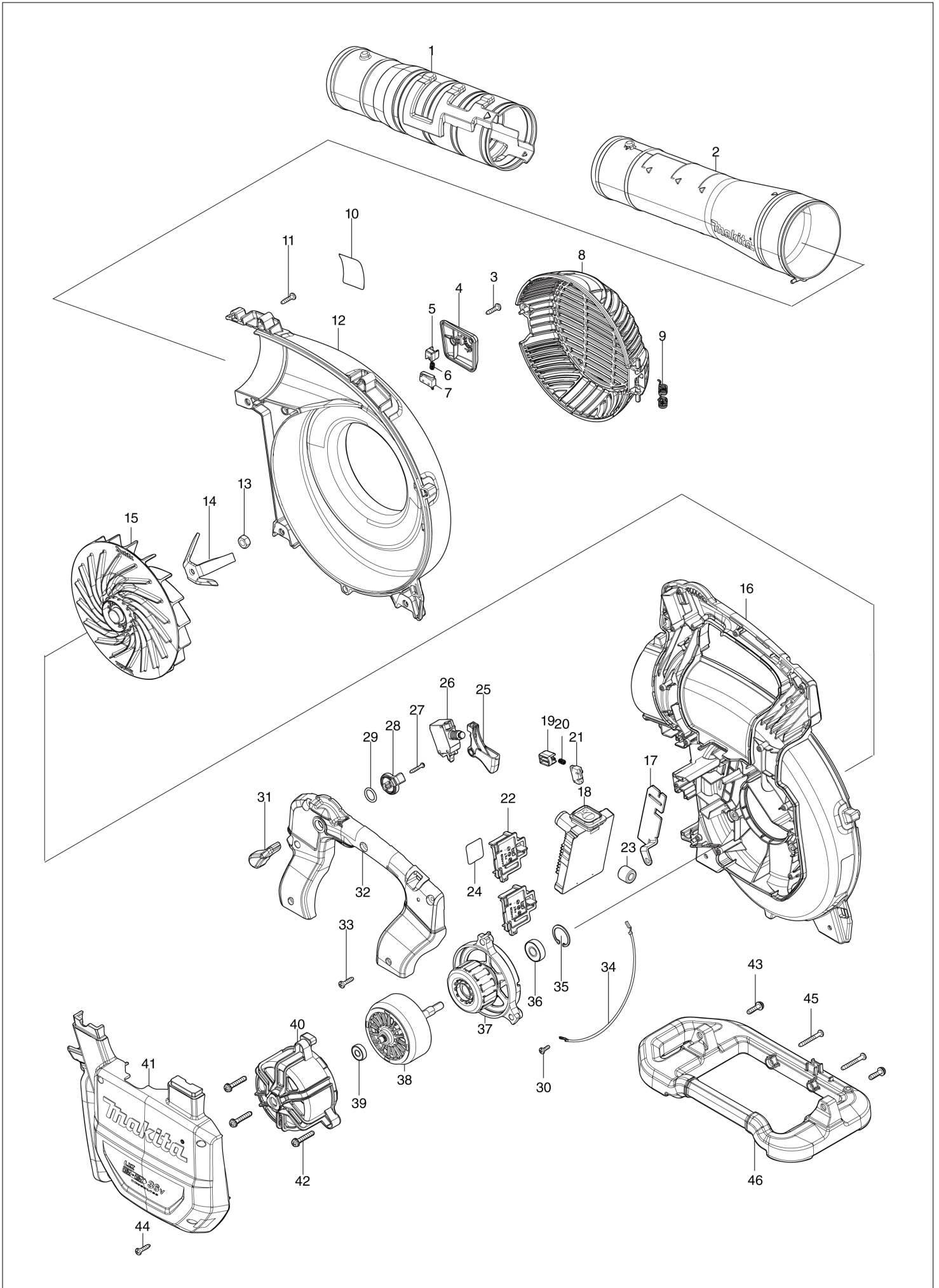
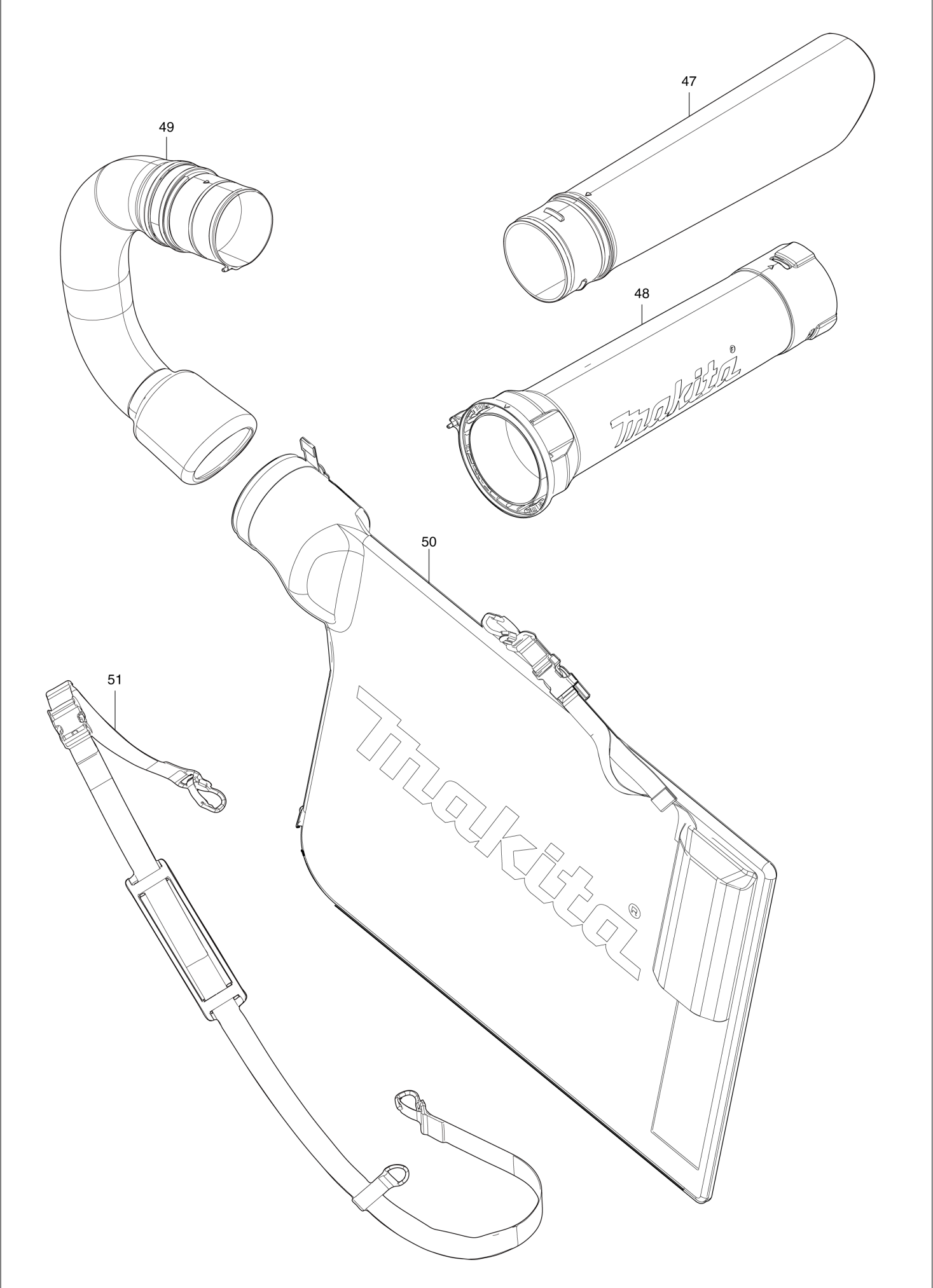


(QA) DUB363 / CORDLESS BLOWER



(QA) DUB363 / CORDLESS BLOWER



## DUB363 / CORDLESS BLOWER

Item	Sub	Parts No.	Parts Description	Qty	I/C	E/C No.	Close No.	Remark
001		459798-0	END NOZZLE 72	1			Y08367	
001-1		183R01-2	END NOZZLE 72 SET	1	O	Y08367		
002		127501-4	PIPE 90-72 ASSEMBLY	1			Y08367	
	C10	265A67-3	H.S.H.SHOULDER BOLT M5X38	1			Y08367	
002-1		183R06-2	PIPE 90-72 ASSEMBLY SET	1	O	Y08367		
	C10	265A67-3	H.S.H.SHOULDER BOLT M5X38	1		Y08367		
003		266326-2	TAPPING SCREW 4X18	1				
004		459790-6	SWITCH COVER	1				
005		459793-0	PUSHER A	1				
006		233118-4	COMPRESSION SPRING 4	1				
007		632L94-5	SWITCH UNIT	1				
008		127424-6	FAN COVER ASSEMBLY	1				
	C10	265A66-5	H.S.H.SHOULDER BOLT M5X32	1				
009		232600-0	TORSION SPRING 8	1				
010		856S45-8	DUB363 NAME PLATE	1				
011		266326-2	TAPPING SCREW 4X18	6				
012		459784-1	VOLUTE CASE R	1				
013		252154-1	HEX. NUT M8-13	1				
014		347570-1	SHREDDER	1				
015		240204-4	FAN 180	1				
016		140S59-0	VOLUTE CASE L COMPLETE	1				
	C10	8011Y4-4	CAUTION LABEL	1				
017		347718-5	EARTH PLATE	1				
018		140S58-2	CONTROLLER COMPLETE	1				
	C10	8007N9-0	SWITCH LABEL	1				
019		459794-8	PUSHER B	1				
020		233118-4	COMPRESSION SPRING 4	1				
021		632L94-5	SWITCH UNIT	1				
022		644809-6	TERMINAL	2				
024		856S53-9	DUB363 SERIAL NO. LABEL	1				
025		459791-4	SWITCH LEVER	1				
026		651438-8	SWITCH C3JW-6B-PAN	1				
027		266127-8	+ TAPPING SCREW PT 3X20	1				
028		459698-4	LINK	1				
029		213154-6	O RING 14	1				
030		652008-6	PAN HEAD SCREW M3.5X7	1				
031		459792-2	CONTROL LEVER	1				
032		459788-3	GRIP L	1				
033		266326-2	TAPPING SCREW 4X18	6				
034		632P80-0	LEAD UNIT	1				
035		962105-3	RETAINING RING R-26	1				
036		210059-1	BALL BEARING 6000DDW	1				
037		629473-4	STATOR COMPLETE	1				
038		619609-3	ROTOR	1				
039		210017-7	BALL BEARING 607DDW	1				
040		459789-1	MOTOR HOUSING	1				
041		140N74-4	MOTOR COVER COMPLETE	1				
	C10	263005-3	RUBBER PIN 6	4				
042		911253-5	PAN HEAD SCREW M5X30	3				
043		911233-1	PAN HEAD SCREW M5X20	2				
044		266326-2	TAPPING SCREW 4X18	7				
045		266351-3	TAPPING SCREW 4X35	2				
046		459787-5	SUB HANDLE	1			D7701	
046-1		413738-2	SUB HANDLE	1	<	D7701		
047		459800-9	VACUUM PIPE B	1			Y08367	
047-1		183R08-8	VACUUM PIPE B SET	1	O	Y08367		
048		127425-4	VACUUM PIPE A ASSEMBLY	1			Y08367	
	C10	265A66-5	H.S.H.SHOULDER BOLT M5X32	1			Y08367	
048-1		183R04-6	VACUUM PIPE A ASSEMBLY SET	1	O	Y08367		
	C10	265A66-5	H.S.H.SHOULDER BOLT M5X32	1		Y08367		
049		127502-2	BENT PIPE 90 ASSMBLY	1				
	C10	265A67-3	H.S.H.SHOULDER BOLT M5X38	1				
050		162697-4	DUST BAG	1			D7701	
050-1		162988-3	DUST BAG	1	O	D7701		
051		162698-2	BAND 30 COMPLETE	1				

B:DUB363PG2V(H)

Interchange

O : Yes

X : No

&lt; : the new part can be substituted for the current.

&gt; : the current part can be substituted for the new.

S : Interchangeable as a set.

