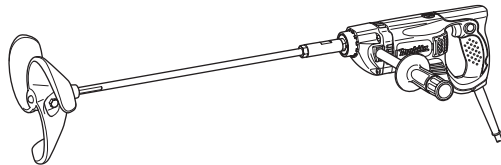
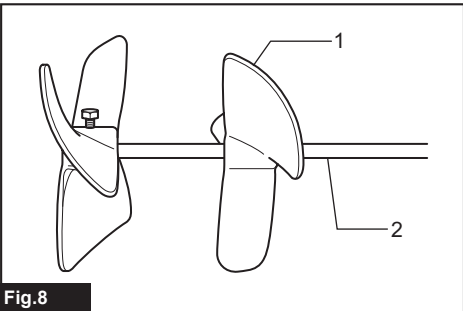
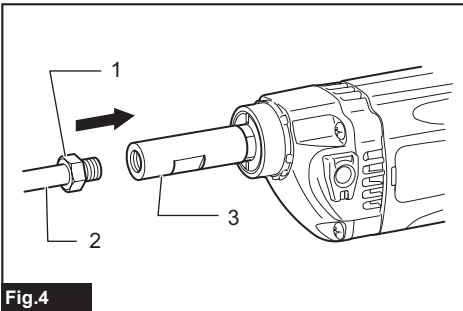
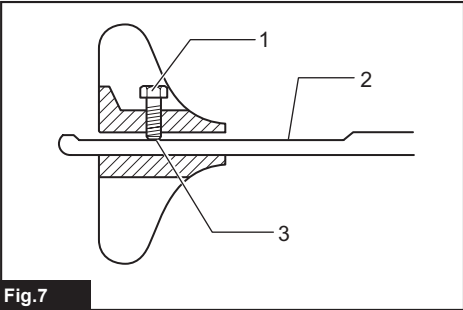
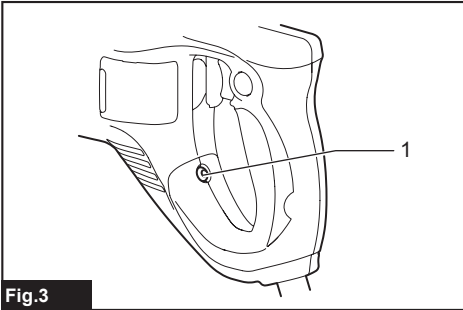
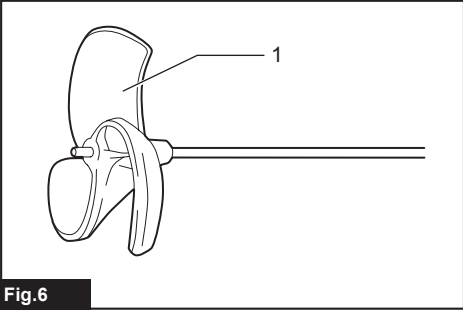
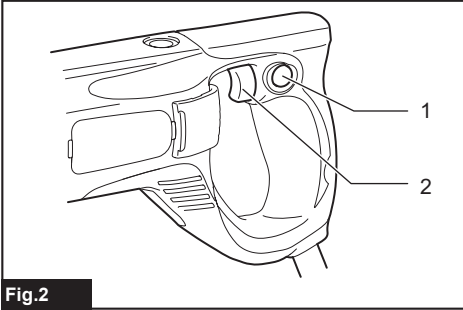
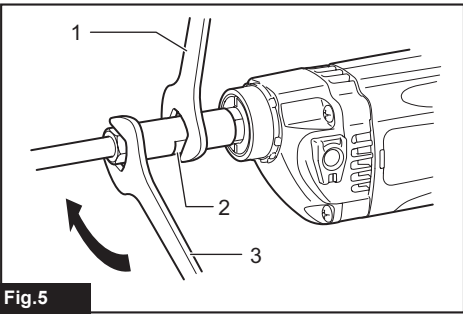
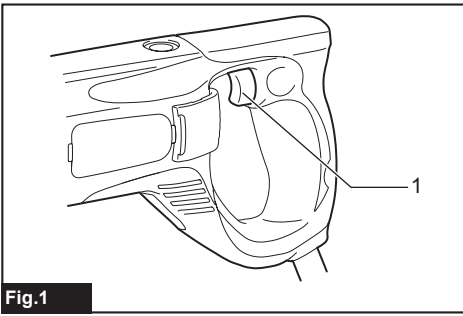


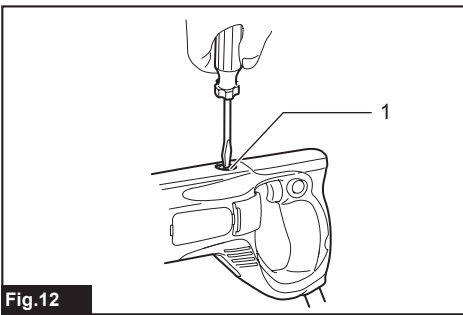
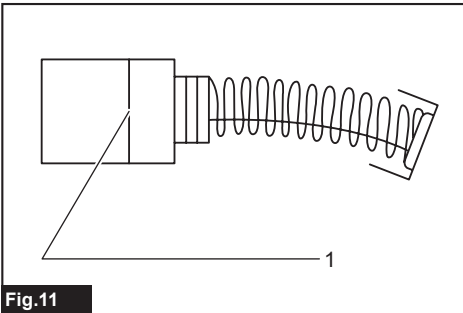
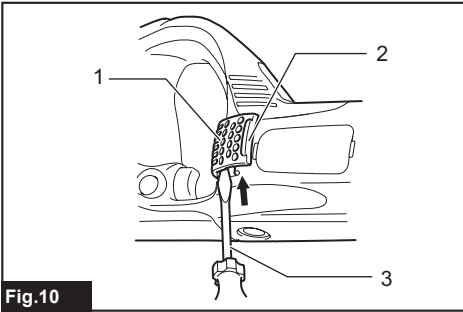
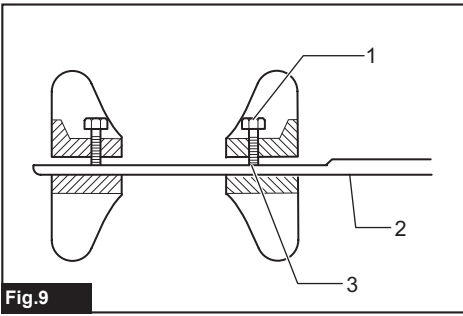


EN	Power Mixer	INSTRUCTION MANUAL	4
ZHCN	电动搅拌机	使用说明书	9
ID	Mesin Pengaduk	PETUNJUK PENGGUNAAN	14
MS	Pembancuh Kuasa	MANUAL ARAHAN	19
VI	Máy Trộn Sơn Cầm Tay Hoạt Động Bằng Động Cơ Điện	TÀI LIỆU HƯỚNG DẪN	24
TH	เครื่องตีผสมไฟฟ้า	คู่มือการใช้งาน	29

UT2204










SPECIFICATIONS

Model:	UT2204
No load speed	550 min ⁻¹
Maximum mixing blade diameter	220 mm
Overall length	929 mm
Net weight	2.7 kg
Safety class	□/II

- Due to our continuing program of research and development, the specifications herein are subject to change without notice.
- Specifications may differ from country to country.
- Weight according to EPTA-Procedure 01/2014

Symbols

The followings show the symbols which may be used for the equipment. Be sure that you understand their meaning before use.

	Read instruction manual.
	DOUBLE INSULATION
	<p>Only for EU countries</p> <p>Due to the presence of hazardous components in the equipment, used electrical and electronic equipment may have a negative impact on the environment and human health.</p> <p>Do not dispose of electrical and electronic appliances with household waste!</p> <p>In accordance with the European Directive on waste electrical and electronic equipment and its adaptation to national law, used electrical and electronic equipment should be collected separately and delivered to a separate collection point for municipal waste, operating in accordance with the environmental protection regulations.</p> <p>This is indicated by the symbol of the crossed-out wheeled bin placed on the equipment.</p>

Intended use

The tool is intended for mixing wall materials, etc. (except flammable materials).

Power supply

The tool should be connected only to a power supply of the same voltage as indicated on the nameplate, and can only be operated on single-phase AC supply. They are double-insulated and can, therefore, also be used from sockets without earth wire.

SAFETY WARNINGS

General power tool safety warnings

⚠ WARNING: Read all safety warnings, instructions, illustrations and specifications provided with this power tool. Failure to follow all instructions listed below may result in electric shock, fire and/or serious injury.

Save all warnings and instructions for future reference.

The term "power tool" in the warnings refers to your mains-operated (corded) power tool or battery-operated (cordless) power tool.

Work area safety

1. **Keep work area clean and well lit.** Cluttered or dark areas invite accidents.
2. **Do not operate power tools in explosive atmospheres, such as in the presence of flammable liquids, gases or dust.** Power tools create sparks which may ignite the dust or fumes.
3. **Keep children and bystanders away while operating a power tool.** Distractions can cause you to lose control.

Electrical safety

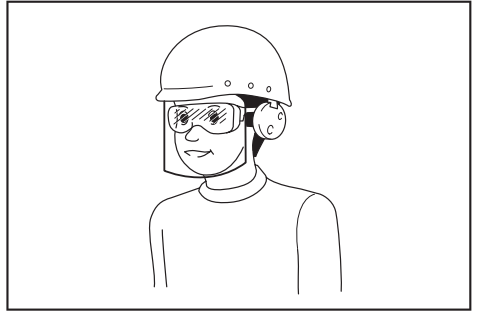
1. **Power tool plugs must match the outlet. Never modify the plug in any way. Do not use any adapter plugs with earthed (grounded) power tools.** Unmodified plugs and matching outlets will reduce risk of electric shock.
2. **Avoid body contact with earthed or grounded surfaces, such as pipes, radiators, ranges and refrigerators.** There is an increased risk of electric shock if your body is earthed or grounded.
3. **Do not expose power tools to rain or wet conditions.** Water entering a power tool will increase the risk of electric shock.

4. **Do not abuse the cord. Never use the cord for carrying, pulling or unplugging the power tool. Keep cord away from heat, oil, sharp edges or moving parts.** Damaged or entangled cords increase the risk of electric shock.
5. **When operating a power tool outdoors, use an extension cord suitable for outdoor use.** Use of a cord suitable for outdoor use reduces the risk of electric shock.
6. **If operating a power tool in a damp location is unavoidable, use a residual current device (RCD) protected supply.** Use of an RCD reduces the risk of electric shock.
7. **Use of power supply via an RCD with a rated residual current of 30 mA or less is always recommended.**
8. **Power tools can produce electromagnetic fields (EMF) that are not harmful to the user.** However, users of pacemakers and other similar medical devices should contact the maker of their device and/or doctor for advice before operating this power tool.
9. **Do not touch the power plug with wet hands.**
10. **If the cord is damaged, have it replaced by the manufacturer or his agent in order to avoid a safety hazard.**

Personal safety

1. **Stay alert, watch what you are doing and use common sense when operating a power tool. Do not use a power tool while you are tired or under the influence of drugs, alcohol or medication.** A moment of inattention while operating power tools may result in serious personal injury.
2. **Use personal protective equipment. Always wear eye protection.** Protective equipment such as a dust mask, non-skid safety shoes, hard hat or hearing protection used for appropriate conditions will reduce personal injuries.
3. **Prevent unintentional starting. Ensure the switch is in the off-position before connecting to power source and/or battery pack, picking up or carrying the tool.** Carrying power tools with your finger on the switch or energising power tools that have the switch on invites accidents.
4. **Remove any adjusting key or wrench before turning the power tool on.** A wrench or a key left attached to a rotating part of the power tool may result in personal injury.
5. **Do not overreach. Keep proper footing and balance at all times.** This enables better control of the power tool in unexpected situations.
6. **Dress properly. Do not wear loose clothing or jewellery. Keep your hair and clothing away from moving parts.** Loose clothes, jewellery or long hair can be caught in moving parts.
7. **If devices are provided for the connection of dust extraction and collection facilities, ensure these are connected and properly used.** Use of dust collection can reduce dust-related hazards.
8. **Do not let familiarity gained from frequent use of tools allow you to become complacent and ignore tool safety principles.** A careless action can cause severe injury within a fraction of a second.

9. **Always wear protective goggles to protect your eyes from injury when using power tools. The goggles must comply with ANSI Z87.1 in the USA, EN 166 in Europe, or AS/NZS 1336 in Australia/New Zealand. In Australia/New Zealand, it is legally required to wear a face shield to protect your face, too.**



It is an employer's responsibility to enforce the use of appropriate safety protective equipments by the tool operators and by other persons in the immediate working area.

Power tool use and care

1. **Do not force the power tool. Use the correct power tool for your application.** The correct power tool will do the job better and safer at the rate for which it was designed.
2. **Do not use the power tool if the switch does not turn it on and off.** Any power tool that cannot be controlled with the switch is dangerous and must be repaired.
3. **Disconnect the plug from the power source and/or remove the battery pack, if detachable, from the power tool before making any adjustments, changing accessories, or storing power tools.** Such preventive safety measures reduce the risk of starting the power tool accidentally.
4. **Store idle power tools out of the reach of children and do not allow persons unfamiliar with the power tool or these instructions to operate the power tool.** Power tools are dangerous in the hands of untrained users.
5. **Maintain power tools and accessories. Check for misalignment or binding of moving parts, breakage of parts and any other condition that may affect the power tool's operation. If damaged, have the power tool repaired before use.** Many accidents are caused by poorly maintained power tools.
6. **Keep cutting tools sharp and clean.** Properly maintained cutting tools with sharp cutting edges are less likely to bind and are easier to control.
7. **Use the power tool, accessories and tool bits etc. in accordance with these instructions, taking into account the working conditions and the work to be performed.** Use of the power tool for operations different from those intended could result in a hazardous situation.

8. **Keep handles and grasping surfaces dry, clean and free from oil and grease.** Slippery handles and grasping surfaces do not allow for safe handling and control of the tool in unexpected situations.
9. **When using the tool, do not wear cloth work gloves which may be entangled.** The entanglement of cloth work gloves in the moving parts may result in personal injury.

Service

1. **Have your power tool serviced by a qualified repair person using only identical replacement parts.** This will ensure that the safety of the power tool is maintained.
2. **Follow instruction for lubricating and changing accessories.**

Mixer safety warnings

1. **Hold the tool with both hands at the intended handles.** Loss of control can cause personal injury.
2. **Ensure sufficient ventilation when mixing flammable materials to avoid a hazardous atmosphere.** Developing vapour may be inhaled or be ignited by the sparks the power tool produces.
3. **Do not mix food.** Power tools and their accessories are not designed for processing food.
4. **Keep the cord away from the working area.** The cord may be entangled by the mixer blade.
5. **Ensure that the mixing container is placed in a firm and secure position.** A container that is not properly secured may move unexpectedly.
6. **Ensure that no liquid splashes against the housing of the power tool.** Liquid that has penetrated the power tool can cause damage and lead to electric shock.
7. **Follow the instructions and warnings for the material to be mixed.** Material to be mixed may be harmful.
8. **If the power tool falls into the material to be mixed, unplug the tool immediately and have the power tool checked by a qualified repair person.** Reaching into the bucket with the tool still plugged in can lead to electric shock.
9. **Do not reach into the mixing container with your hands or insert any other objects into it while mixing.** Contact with the mixer blade may lead to serious personal injury.
10. **Start up and run down the tool in the mixing container only.** The mixer blade may bend or spin in an uncontrolled manner.
11. **Ensure that no liquid splashes against the housing of the power tool.** Liquid that has penetrated the power tool can cause damage to the tool.
12. **Use auxiliary handles, if supplied with the tool.** Loss of control may cause personal injury.
13. **Hold the power tool by insulated gripping surfaces, when performing an operation where the cutting accessory may contact hidden wiring or its own cord.** Cutting accessory contacting a "live" wire may make exposed metal parts of the power tool "live" and could give the operator an electric shock.

14. **Always be sure you have a firm footing. Be sure no one is below when using the tool in high locations.**
15. **Hold the tool firmly.**
16. **Keep hands away from rotating parts.**
17. **Do not leave the tool running. Operate the tool only when you are holding it.**
18. **Some materials contain chemicals which may be toxic. Take caution to prevent dust inhalation and skin contact. Follow safety warnings by supplier of the material.**
19. **When performing the mixing operation, place the mixing container on a flat and stable surface.**

SAVE THESE INSTRUCTIONS.

⚠WARNING: DO NOT let comfort or familiarity with product (gained from repeated use) replace strict adherence to safety rules for the subject product. MISUSE or failure to follow the safety rules stated in this instruction manual may cause serious personal injury.

FUNCTIONAL DESCRIPTION

⚠CAUTION: Always be sure that the tool is switched off and unplugged before adjusting or checking function on the tool.

Switch action

⚠CAUTION: Before plugging in the tool, always check to see that the switch trigger actuates properly and returns to the "OFF" position when released.

for European countries

► Fig.1: 1. Switch trigger

To start the tool, simply pull the switch trigger. Release the switch trigger to stop.

for other than European countries

► Fig.2: 1. Lock button 2. Switch trigger

To start the tool, simply pull the switch trigger. Release the switch trigger to stop.

For continuous operation, pull the switch trigger and then push in the lock button.

To stop the tool from the locked position, pull the switch trigger fully, then release it.

Indicator lamp

► Fig.3: 1. Indicator lamp

The green power-ON indicator lamp lights up when the tool is plugged to the mains. If the indicator lamp is lit but the tool does not start even if the tool is switched ON, the carbon brushes may be worn out, or the motor or the switch may be defective. If the indicator lamp does not light up, the mains cord or the indicator lamp may be defective. When the mains cord is defective, the tool neither starts nor lights the indicator lamp. When the indicator lamp is defective, the tool starts without the indicator lamp lighting up.

ASSEMBLY

⚠ CAUTION: Always be sure that the tool is switched off and unplugged before carrying out any work on the tool.

Installing the shaft

1. Tighten the shaft into the shaft holder till the hex nut contacts with the shaft holder.

► Fig.4: 1. Hex nut 2. Shaft 3. Shaft holder

2. Hold the notch in the shaft holder with wrench 19 so that it cannot revolve. With the notch held so, tighten the hex nut with another wrench 19 in the direction of arrow.

► Fig.5: 1. Wrench 19 2. Notch 3. Wrench 19

Installing the mixing blade

► Fig.6: 1. Mixing blade

► Fig.7: 1. Hex bolt 2. Shaft 3. Flat surface

Insert the mixing blade into the shaft and secure it with the hex bolt.

At this time, position it so that the top end of the hex bolt always fits to the flat surface on the shaft and tighten the hex bolt with the provided wrench.

When installing the mixing blades at two different positions (which is applicable only to the mixing blades allowed to do so), mount and secure the two mixing blades on the flat part of the shaft with the hex bolts so that the same surface of blades faces each other as shown in the figure.

► Fig.8: 1. Mixing blade 2. Shaft

► Fig.9: 1. Hex bolt 2. Shaft 3. Flat surface

OPERATION

• **Do not mix flammable materials or operate the tool around flammable materials such as paint with thinner used as solvent.** Failure to do so may cause an injury.

1. Hold the rear handle of the tool with one hand and the grip with the other hand firmly, place the mixing blade under material fully and turn on the tool after making sure work site safety.

2. Move the mixing blade up and down during the mixing operation so that whole part of material can be mixed.

3. When finishing mixing, turn off the tool, make sure that the mixing blade has come to a complete stop, and then pull it out of the mixing container.

MAINTENANCE

⚠ CAUTION: Always be sure that the tool is switched off and unplugged before attempting to perform inspection or maintenance.

NOTICE: Never use gasoline, benzine, thinner, alcohol or the like. Discoloration, deformation or cracks may result.

Replacing filter

► Fig.10: 1. Filter 2. Cover 3. Screwdriver

Replace the filter regularly as the cooling efficiency of the tool is reduced due to built-up dust or particles in the filter.

Insert the slotted bit screwdriver and the like between the tool and the cover as shown in the figure. Lift it up just like using a shovel and remove the cover.

Replace the filter in the cover with a new one.

Reinstall the cover on the tool.

Replacing carbon brushes

► Fig.11: 1. Limit mark

Check the carbon brushes regularly.

Replace them when they wear down to the limit mark.

Keep the carbon brushes clean and free to slip in the holders. Both carbon brushes should be replaced at the same time. Use only identical carbon brushes.

1. Use a screwdriver to remove the brush holder caps.

2. Take out the worn carbon brushes, insert the new ones and secure the brush holder caps.

► Fig.12: 1. Brush holder cap

To maintain product SAFETY and RELIABILITY, repairs, any other maintenance or adjustment should be performed by Makita Authorized or Factory Service Centers, always using Makita replacement parts.

OPTIONAL ACCESSORIES

⚠ CAUTION: These accessories or attachments are recommended for use with your Makita tool specified in this manual. The use of any other accessories or attachments might present a risk of injury to persons. Only use accessory or attachment for its stated purpose.

If you need any assistance for more details regarding these accessories, ask your local Makita Service Center.

- Mixing blade

Type	Maximum diameter	Twin blade possible
Mixing blade 175	175 mm	Possible
Mixing blade 190	190 mm	Possible
Mixing blade 220	220 mm	-
Mixing blade 135	135 mm	-
Mixing blade 183	183 mm	Possible
Mixing blade 201	201 mm	Possible

- Shaft

NOTE: Some items in the list may be included in the tool package as standard accessories. They may differ from country to country.

规格

型号:	UT2204
空载速度	550/min
最大搅拌叶片直径	220 mm
长度	929 mm
净重	2.7 kg
安全等级	回/II

- 生产者保留变更规格不另行通知之权利。
- 规格可能因销往国家之不同而异。
- 重量符合EPTA-Procedure 01/2014

符号

以下显示本设备可能会使用的符号。在使用工具之前，请务必理解其含义。



阅读使用说明书。



II类工具



仅限于欧盟国家
由于本设备中包含有害成分，因此使用过的电气和电子设备可能会对环境和人体健康产生负面影响。
请勿将电气和电子工具与家庭普通废弃物放在一起处置！
根据欧洲关于废弃电气电子设备的指令及其国家层面的修订法案，使用过的电气和电子设备应当单独收集并递送至城市垃圾收集点，根据环保规定进行处置。
此规定由标有叉形标志的带轮垃圾桶符号表示。

用途

该工具用于搅拌墙体材料等材料（可燃物除外）。

电源

本工具只可连接电压与铭牌所示电压相同的电源，且仅可使用单相交流电源。本工具双重绝缘，因此也可用于不带接地线的插座。

安全警告

电动工具通用安全警告

警告： 阅读随电动工具提供的所有安全警告、说明、图示和规定。不遵照以下所列说明会导致电击、着火和 / 或严重伤害。

保存所有警告和说明书以备查阅。

警告中的术语“电动工具”是指市电驱动（有线）电动工具或电池驱动（无线）电动工具。

工作场地的安全

1. 保持工作场地清洁和明亮。杂乱和黑暗的场地会引发事故。
2. 不要在易爆环境，如有易燃液体、气体或粉尘的环境下操作电动工具。电动工具产生的火花会点燃粉尘或气体。
3. 操作电动工具时，远离儿童和旁观者。注意力不集中会使你失去对工具的控制。

电气安全

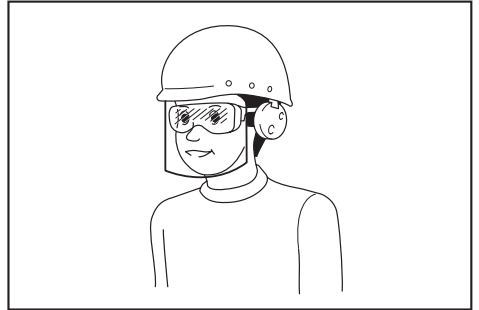
1. 电动工具插头必须与插座相配。绝不能以任何方式改装插头。需接地的电动工具不能使用任何转换插头。未经改装的插头和相配的插座将降低电击风险。
2. 避免人体接触接地表面，如管道、散热片和冰箱。如果你身体接触接地表面会增加电击风险。
3. 不得将电动工具暴露在雨中或潮湿环境中。水进入电动工具将增加电击风险。

4. 不得滥用软线。绝不能用软线搬运、拉动电动工具或拔出其插头。使软线远离热源、油、锐边或运动部件。受损或缠绕的软线会增加电击风险。
5. 当在户外使用电动工具时，使用适合户外使用的延长线。适合户外使用的电线将降低电击风险。
6. 如果无法避免在潮湿环境中操作电动工具，应使用带有剩余电流装置（RCD）保护的电源。RCD的使用可降低电击风险。
7. 始终建议通过额定剩余电流为30 mA或以下的RCD来使用电源。
8. 电动工具会产生对用户无害的电磁场（EMF）。但是，起搏器和其他类似医疗设备的用户应在操作本电动工具前咨询其设备的制造商和/或医生寻求建议。
9. 请勿用湿手触摸电源插头。
10. 如果导线破损，则由制造商或其代理商更换以避免安全隐患。

人身安全

1. 保持警觉，当操作电动工具时关注所从事的操作并保持清醒。当你感到疲倦，或在有药物、酒精或治疗反应时，不要操作电动工具。在操作电动工具时瞬间的疏忽会导致严重人身伤害。
2. 使用个人防护装置。始终佩戴护目镜。防护装置，诸如适当条件下使用防尘面具、防滑安全鞋、安全帽、听力防护等装置能减少人身伤害。
3. 防止意外起动。在连接电源和/或电池包、拿起或搬运工具前确保开关处于关断位置。手指放在开关上搬运工具或开关处于接通时通电会导致危险。
4. 在电动工具接通之前，拿掉所有调节钥匙或扳手。遗留在电动工具旋转零件上的扳手或钥匙会导致人身伤害。
5. 手不要过分伸展。时刻注意立足点和身体平衡。这样能在意外情况下能更好地控制住电动工具。
6. 着装适当。不要穿宽松衣服或佩戴饰品。让你的头发和衣服远离运动部件。宽松衣服、佩饰或长发可能会卷入运动部件。
7. 如果提供了与排屑、集尘设备连接用的装置，要确保其连接完好且使用得当。使用集尘装置可降低尘屑引起的危险。
8. 不要因为频繁使用工具而产生的熟悉感而掉以轻心，忽视工具的安全准则。某个粗心的动作可能在瞬间导致严重的伤害。

9. 使用电动工具时请始终佩戴护目镜以免伤害眼睛。护目镜须符合美国ANSI Z87.1、欧洲EN 166或者澳大利亚/新西兰的AS/NZS 1336的规定。在澳大利亚/新西兰，法律要求佩戴面罩保护脸部。



雇主有责任监督工具操作者和其他近工作区域人员佩戴合适的安全防护设备。

电动工具使用和注意事项

1. 不要勉强使用电动工具，根据用途使用合适的电动工具。选用合适的按照额定值设计的电动工具会使你工作更有效、更安全。
2. 如果开关不能接通或关断电源，则不能使用该电动工具。不能通过开关来控制的电动工具是危险的且必须进行修理。
3. 在进行任何调节、更换附件或贮存电动工具之前，必须从电源上拔掉插头和/或卸下电池包（如可拆卸）。这种防护性的安全措施降低了电动工具意外起动的风险。
4. 将闲置不用的电动工具贮存在儿童所及范围之外，并且不允许不熟悉电动工具和不了解这些说明的人操作电动工具。电动工具在未经培训的使用者手中是危险的。
5. 维护电动工具及其附件。检查运动部件是否调整到位或卡住，检查零件破损情况和影响电动工具运行的其他状况。如有损坏，应在使用前修理好电动工具。许多事故是由维护不良的电动工具引发的。
6. 保持切削刀具锋利和清洁。维护良好地有锋利切削刃的刀具不易卡住而且容易控制。
7. 按照使用说明书，并考虑作业条件和要进行的作业来选择电动工具、附件和工具的刀头等。将电动工具用于那些与其用途不符的操作可能会导致危险情况。

- 保持手柄和握持表面干燥、清洁，不得沾有油脂。在意外的情况下，湿滑的手柄不能保证握持的安全和对工具的控制。
- 使用本工具时，请勿佩戴可能会缠绕的布质工作手套。布质工作手套卷入移动部件可能会造成人身伤害。

维修

- 由专业维修人员使用相同的备件维修电动工具。这将保证所维修的电动工具的安全。
- 上润滑油及更换附件时请遵循本说明书指示。

电动搅拌机使用安全警告

- 通过手柄用双手握持工具。失控会造成人身伤害。
- 混合可燃材料时确保通风良好，避免发生危险。挥发蒸气可能会被吸入或被电动工具产生的火花引燃。
- 不要搅拌食物。电动工具及其附件并非设计用于加工食物。
- 确保导线远离工作区域。否则导线可能会缠绕在搅拌叶片上。
- 确保将搅拌容器置于稳固且安全的位置。如果容器固定不牢，则会意外移动。
- 不得使液体溅到电动工具的外壳。液体进入电动工具可导致工具损坏，进而引起触电。
- 遵循被搅拌材料的说明和警告事项。被搅拌材料可能有害。
- 若电动工具掉入待搅拌的材料中，请立即拔下电动工具的插头，然后将电动工具交由专业维修人员进行检查。接触翻斗时若工具插头仍插在电源插座上，则可能引起触电。
- 搅拌时，不得将手伸入搅拌容器或插入任何其他物体。接触搅拌机叶片可能会导致严重的人身伤害。
- 仅在搅拌容器内启动和运转工具。搅拌机叶片可能会弯折或失控旋转。
- 不得使液体溅到电动工具的外壳。液体进入电动工具可导致工具损坏。
- 如果本工具附有辅助手柄，请使用辅助手柄。失控可能会造成人身伤害。
- 当在钻削附件可能触及暗线或其自身导线的场合进行操作时，要通过绝缘握持面握持工具。钻削附件碰到带电导线会使工具外露的金属零件带电而使操作者受到电击。

- 请务必确保立足稳固。在高处使用工具时确保下方无人。
- 请牢握本工具。
- 手应远离旋转的部件。
- 运行中的工具不可离手放置。仅当在握牢时操作工具。
- 某些材料含有有毒化学物质。小心不要吸入粉尘，并避免皮肤接触。遵循材料供应商的安全警告事项。
- 进行搅拌操作时，将搅拌容器放置在平坦稳固的表面。

请保留此说明书。

警告： 请勿为图方便或因对产品足够熟悉（由于重复使用而获得的经验）而不严格遵循相关产品安全规则。使用不当或不遵循使用说明书中的安全规则会导致严重的人身伤害。

功能描述

小心： 在调节或检查工具功能之前，请务必关闭工具电源开关并拔下电源插头。

开关操作

小心： 插上工具电源插头之前，请务必确认开关扳机能够正常工作，松开时能回到“OFF”（关闭）位置。

用于欧洲国家

► 图片1: 1. 开关扳机

启动工具时，只要扣动开关扳机即可。松开开关扳机工具即停止。

用于非欧洲国家

► 图片2: 1. 锁止按钮 2. 开关扳机

启动工具时，只要扣动开关扳机即可。松开开关扳机工具即停止。

连续操作时，扣动开关扳机并按下锁定按钮。要从锁定位置停止工具时，可将开关扳机扣到底，然后松开。

指示灯

► 图片3: 1. 指示灯

当工具插上电源时, 绿色的电源开启指示灯亮起。如果指示灯亮起而工具没有启动(即使工具已开启), 则可能是由于碳刷磨损, 电机或开关故障的缘故。如果指示灯没有亮起, 则可能是电源线或指示灯损坏。电源线损坏时, 工具无法启动, 指示灯也不会亮起。指示灯损坏时, 工具启动而指示灯不亮。

装配

⚠️小心: 对工具进行任何装配操作前请务必确认机器已关闭且已拔下电源插头。

安装轴

1. 将轴紧固到轴支架中, 直到六角螺母与轴支架接触。

► 图片4: 1. 六角螺母 2. 轴 3. 轴支架

2. 用19号扳手握住轴支架中的切槽, 使其无法转动。握住切槽后, 用另一个19号扳手以箭头所示方向拧紧六角螺母。

► 图片5: 1. 19号扳手 2. 切槽 3. 19号扳手

安装搅拌叶片

► 图片6: 1. 搅拌叶片

► 图片7: 1. 六角螺栓 2. 轴 3. 平坦表面

将搅拌叶片插入轴中, 并用六角螺栓将其固定。

此时, 将其放置到位, 使六角螺栓的顶端始终与轴的平坦表面接合, 然后用附带的扳手拧紧六角螺栓。

在两个不同的位置安装搅拌叶片时(仅适用于可以如此操作的搅拌叶片), 用六角螺栓在轴的平坦部位安装并固定这两个搅拌叶片, 使各个叶片的同一表面如图所示。

► 图片8: 1. 搅拌叶片 2. 轴

► 图片9: 1. 六角螺栓 2. 轴 3. 平坦表面

操作

• **不要搅拌可燃材料, 或在含有稀释剂作为溶剂的油漆等易燃材料附近操作工具。否则可能导致人身伤害。**

1. 用一只手握住工具的后手柄, 另一只手紧握把手, 将搅拌叶片完全放入材料下方, 在确保工作场所安全后打开工具。

2. 在搅拌操作期间上下移动搅拌叶片, 使材料的所有部分受到搅拌。

3. 结束搅拌时, 关闭工具, 确保搅拌叶片已完全停止, 然后将其从搅拌容器中取出。

保养

⚠️小心: 检查或保养工具之前, 请务必关闭工具电源开关并拔下插头。

注意: 切勿使用汽油、苯、稀释剂、酒精或类似物品清洁工具。否则可能会导致工具变色、变形或出现裂缝。

更换过滤器

► 图片10: 1. 过滤器 2. 盖板 3. 螺丝起子

请定期更换过滤器, 因为工具的冷却效率会由于过滤器中积累的灰尘和颗粒而降低。

如图所示, 将一字头螺丝起子或类似工具插在工具和盖板之间。如使用铲子一样将其抬起并拆下盖板。

将盖板中的过滤器更换为新的。

将盖板重新安装到工具上。

更换碳刷

► 图片11: 1. 界限磨损线

定期检查碳刷。

在碳刷磨损到界限磨损线时进行更换。请保持碳刷清洁并使其在碳刷夹内能自由滑动。两个碳刷应同时替换。请仅使用相同的碳刷。

1. 使用螺丝起子拆下碳刷夹盖。

2. 取出已磨损的碳刷, 插入新的碳刷, 然后紧固碳刷夹盖。

► 图片12: 1. 碳刷夹盖

为了保证产品的安全与可靠性, 维修、任何其他维修保养或调节需由Makita(牧田)授权的或工厂维修服务中心完成。务必使用Makita(牧田)的替换部件。

选购附件

⚠小心： 这些附件或装置专用于本说明书所列的**Makita（牧田）**工具。如使用其他厂牌附件或装置，可能导致人身伤害。仅可将附件或装置用于规定目的。

如您需要了解更多关于这些选购附件的信息，请咨询当地的**Makita（牧田）**维修服务中心。

- 搅拌叶片

类型	最大直径	可使用的双叶片
搅拌叶片175	175 mm	可用
搅拌叶片190	190 mm	可用
搅拌叶片220	220 mm	-
搅拌叶片135	135 mm	-
搅拌叶片183	183 mm	可用
搅拌叶片201	201 mm	可用

- 轴

注： 本列表中的一些部件可能作为标准配件包含于工具包装内。它们可能因销往国家之不同而异。

SPEKIFIKASI

Model:	UT2204
Kecepatan tanpa beban	550 min ⁻¹
Diameter mata pisau sudu pengaduk maksimum	220 mm
Panjang keseluruhan	929 mm
Berat bersih	2,7 kg
Kelas keamanan	□/II

- Karena kesinambungan program penelitian dan pengembangan kami, spesifikasi yang disebutkan di sini dapat berubah tanpa pemberitahuan.
- Spesifikasi dapat berbeda dari satu negara ke negara lainnya.
- Berat menurut Prosedur EPTA 01/2014

Simbol

Berikut ini adalah simbol-simbol yang dapat digunakan pada peralatan ini. Pastikan Anda memahami arti masing-masing simbol sebelum menggunakan peralatan.



Baca petunjuk penggunaan.



ISOLASI GANDA



Hanya untuk negara-negara UE
Akibat adanya komponen berbahaya dalam peralatan, peralatan listrik dan elektronik bekas dapat memiliki dampak negatif pada lingkungan dan kesehatan manusia.
Jangan buang peralatan listrik dan elektronik bersama limbah rumah tangga! Sesuai dengan Petunjuk Eropa tentang limbah peralatan listrik dan elektronik dan penyesuaiannya dengan undang-undang nasional, peralatan listrik dan elektronik bekas harus dikumpulkan secara terpisah dan dikirim ke tempat pengumpulan terpisah untuk limbah kota, beroperasi sesuai dengan peraturan perlindungan lingkungan.
Hal ini ditunjukkan dengan simbol tempat sampah bersilang yang ditempatkan pada peralatan.

Penggunaan

Mesin ini digunakan untuk mengaduk bahan-bahan dinding, dsb. (kecuali bahan yang mudah terbakar).

Pasokan daya

Mesin harus terhubung dengan pasokan daya listrik yang bervoltase sama dengan yang tertera pada pelat nama, dan hanya dapat dijalankan dengan listrik AC fase tunggal. Mesin diisolasi ganda dan oleh sebab itu dapat dihubungkan dengan soket tanpa kabel.

PERINGATAN KESELAMATAN

Peringatan keselamatan umum mesin listrik

⚠️ PERINGATAN: Bacalah semua peringatan keselamatan, petunjuk, ilustrasi dan spesifikasi yang disertakan bersama mesin listrik ini. Kelalaian untuk mematuhi semua petunjuk yang tercantum di bawah ini dapat menyebabkan sengatan listrik, kebakaran dan/atau cedera serius.

Simpanlah semua peringatan dan petunjuk untuk acuan di masa depan.

Istilah “mesin listrik” dalam semua peringatan mengacu pada mesin listrik yang dijalankan dengan sumber listrik jala-jala (berkabel) atau baterai (tanpa kabel).

Keselamatan tempat kerja

1. **Jaga tempat kerja selalu bersih dan berpenerangan cukup.** Tempat kerja yang berantakan dan gelap mengundang kecelakaan.
2. **Jangan gunakan mesin listrik dalam lingkungan yang mudah meledak, misalnya jika ada cairan, gas, atau debu yang mudah menyala.** Mesin listrik menimbulkan bunga api yang dapat menyalaikan debu atau uap tersebut.
3. **Jauhkan anak-anak dan orang lain saat menggunakan mesin listrik.** Bila perhatian terpecah, anda dapat kehilangan kendali.

Keamanan Kelistrikan

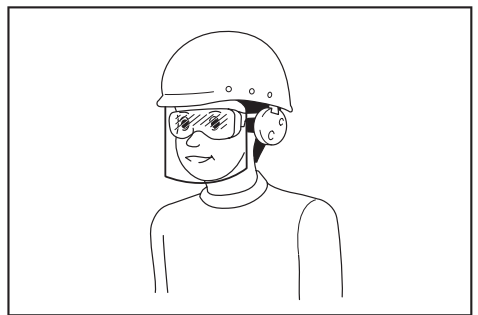
1. **Steker mesin listrik harus cocok dengan stopkontak. Jangan sekali-kali mengubah steker dengan cara apa pun. Jangan menggunakan steker adaptor dengan mesin listrik terbumi (dibumikan).** Steker yang tidak diubah dan stopkontak yang cocok akan mengurangi risiko sengatan listrik.

2. **Hindari sentuhan tubuh dengan permukaan terbumi atau yang dibumikan seperti pipa, radiator, kompor, dan kulkas.** Risiko sengatan listrik bertambah jika tubuh Anda terbumikan atau dibumikan.
3. **Jangan membiarkan mesin listrik kehujanan atau kebasahan.** Air yang masuk ke dalam mesin listrik akan meningkatkan risiko sengatan listrik.
4. **Jangan menyalahgunakan kabel.** Jangan sekali-kali menggunakan kabel untuk membawa, menarik, atau mencabut mesin listrik dari stopkontak. Jauhkan kabel dari panas, minyak, tepian tajam, atau bagian yang bergerak. Kabel yang rusak atau kusut memperbesar risiko sengatan listrik.
5. **Bila menggunakan mesin listrik di luar ruangan, gunakan kabel ekstensi yang sesuai untuk penggunaan di luar ruangan.** Penggunaan kabel yang sesuai untuk penggunaan luar ruangan mengurangi risiko sengatan listrik.
6. **Jika mengoperasikan mesin listrik di lokasi lembap tidak terhindarkan, gunakan pasokan daya yang dilindungi peranti imbasan arus (residual current device - RCD).** Penggunaan RCD mengurangi risiko sengatan listrik.
7. **Penggunaan pasokan daya melalui RCD dengan kapasitas arus sisa 30 mA atau kurang selalu dianjurkan.**
8. **Mesin listrik dapat menghasilkan medan magnet (EMF) yang tidak berbahaya bagi pengguna.** Namun, pengguna alat pacu jantung atau peralatan medis sejenisnya harus berkonsultasi dengan produsen peralatan tersebut dan/atau dokter mereka sebelum mengoperasikan mesin listrik ini.
9. **Jangan menyentuh colokan daya dengan tangan basah.**
10. **Jika kabel rusak, penggantian harus dilakukan oleh produsen atau agennya untuk menghindari bahaya keselamatan.**

Keselamatan Diri

1. **Jaga kewaspadaan, perhatikan pekerjaan Anda dan gunakan akal sehat bila menggunakan mesin listrik.** Jangan menggunakan mesin listrik saat Anda lelah atau di bawah pengaruh obat bius, alkohol, atau obat. Sekejap saja lalai saat menggunakan mesin listrik dapat menyebabkan cedera badan serius.
2. **Gunakan alat pelindung diri.** Selalu gunakan pelindung mata. Peralatan pelindung seperti masker debu, sepatu pengaman anti-selip, helm pengaman, atau pelindung telinga yang digunakan untuk kondisi yang sesuai akan mengurangi risiko cedera badan.
3. **Cegah pernyataan yang tidak disengaja.** Pastikan bahwa sakelar berada dalam posisi mati (off) sebelum menghubungkan mesin ke sumber daya dan/atau paket baterai, atau mengangkat atau membawanya. Membawa mesin listrik dengan jari Anda pada sakelarnya atau mengalirkan listrik pada mesin listrik yang sakelarnya hidup (on) akan mengundang kecelakaan.

4. **Lepaskan kunci-kunci penyetel sebelum menghidupkan mesin listrik.** Kunci-kunci yang masih terpasang pada bagian mesin listrik yang berputar dapat menyebabkan cedera.
5. **Jangan meraih terlalu jauh. Jagalah pijakan dan keseimbangan sepanjang waktu.** Hal ini memungkinkan kendali yang lebih baik atas mesin listrik dalam situasi yang tidak diharapkan.
6. **Kenakan pakaian yang memadai. Jangan memakai pakaian yang longgar atau perhiasan. Jaga jarak antara rambut dan pakaian Anda dengan komponen mesin yang bergerak.** Pakaian yang longgar, perhiasan, atau rambut yang panjang dapat tersangkut pada komponen yang bergerak.
7. **Jika tersedia fasilitas untuk menghisap dan mengumpulkan debu, pastikan fasilitas tersebut terhubung listrik dan digunakan dengan baik.** Penggunaan pembersih debu dapat mengurangi bahaya yang terkait dengan debu.
8. **Jangan sampai Anda lengah dan mengabaikan prinsip keselamatan mesin ini hanya karena sudah sering mengoperasikannya dan sudah merasa terbiasa.** Tindakan yang lalai dapat menyebabkan cedera berat dalam sepersekian detik saja.
9. **Selalu kenakan kacamata pelindung untuk melindungi mata dari cedera saat menggunakan mesin listrik.** Kacamata harus sesuai dengan ANSI Z87.1 di Amerika Serikat, EN 166 di Eropa, atau AS/NZS 1336 di Australia/Selandia Baru. Di Australia/Selandia Baru, secara hukum Anda juga diwajibkan mengenakan pelindung wajah untuk melindungi wajah Anda.



Menjadi tanggung jawab atasan untuk menerapkan penggunaan alat pelindung keselamatan yang tepat bagi operator mesin dan orang lain yang berada di area kerja saat itu.

Penggunaan dan pemeliharaan mesin listrik

1. **Jangan memaksa mesin listrik.** Gunakan mesin listrik yang tepat untuk keperluan Anda. Mesin listrik yang tepat akan menuntaskan pekerjaan dengan lebih baik dan aman pada kecepatan sesuai rancangannya.
2. **Jangan gunakan mesin listrik jika sakelar tidak dapat menyalakan dan mematikannya.** Mesin listrik yang tidak dapat dikendalikan dengan sakelarnya adalah berbahaya dan harus diperbaiki.

3. **Cabut steker dari sumber listrik dan/atau lepas paket baterai, jika dapat dilepas, dari mesin listrik sebelum melakukan penyetulan apa pun, mengganti aksesoris, atau menyimpan mesin listrik.** Langkah keselamatan preventif tersebut mengurangi risiko hidupnya mesin secara tak sengaja.
4. **Simpan mesin listrik jauh dari jangkauan anak-anak dan jangan biarkan orang yang tidak paham mengenai mesin listrik tersebut atau petunjuk ini menggunakan mesin listrik.** Mesin listrik sangat berbahaya di tangan pengguna yang tak terlatih.
5. **Rawatlah mesin listrik dan aksesoris. Periksa apakah ada komponen bergerak yang tidak lurus atau macet, komponen yang pecah, dan kondisi-kondisi lain yang dapat memengaruhi pengoperasian mesin listrik. Jika rusak, perbaiki dahulu mesin listrik sebelum digunakan.** Banyak kecelakaan disebabkan oleh kurangnya pemeliharaan mesin listrik.
6. **Jaga agar mesin pemotong tetap tajam dan bersih.** Mesin pemotong yang terawat baik dengan mata pemotong yang tajam tidak mudah macet dan lebih mudah dikendalikan.
7. **Gunakan mesin listrik, aksesoris, dan mata mesin, dll. sesuai dengan petunjuk ini, dengan memperhitungkan kondisi kerja dan jenis pekerjaan yang dilakukan.** Penggunaan mesin listrik untuk penggunaan yang lain dari peruntukan dapat menimbulkan situasi berbahaya.
8. **Jagalah agar gagang dan permukaan pegangan tetap kering, bersih, dan bebas dari minyak dan pelumas.** Gagang dan permukaan pegangan yang licin tidak mendukung keamanan penanganan dan pengendalian mesin dalam situasi-situasi tak terduga.
9. **Ketika menggunakan mesin, jangan menggunakan sarung tangan kain yang dapat tersangkut.** Sarung tangan kain yang tersangkut pada komponen bergerak dapat mengakibatkan cedera pada pengguna.
4. **Jauhkan kabel dari area kerja.** Kabel dapat tersangkut sudu pengaduk.
5. **Pastikan bahwa kontainer pengaduk ditempatkan pada posisi yang kuat dan aman.** Kontainer yang tidak ditahan di tempatnya dengan benar dapat bergeser secara tidak terduga.
6. **Pastikan tidak ada cairan tumpah ke rumah mesin listrik.** Cairan yang masuk ke mesin listrik dapat menyebabkan kerusakan pada mesin dan sengatan listrik.
7. **Ikuti instruksi dan peringatan berikut untuk material-material yang akan diaduk.** Material yang akan diaduk dapat berbahaya.
8. **Jika mesin listrik jatuh ke dalam material yang akan dicampur, cabut mesin segera dan mintalah petugas perbaikan yang kompeten untuk memeriksa mesin listrik.** Meraih bak dengan mesin masih dalam keadaan terpasang dapat menyebabkan sengatan listrik.
9. **Jangan menjangkau kontainer pengaduk dengan tangan Anda atau memasukkan benda lain saat pengadukan.** Bersentuhan dengan sudu pengaduk dapat menyebabkan cedera badan yang serius.
10. **Mulai dan jalankan mesin dalam kontainer pengaduk saja.** Sudu pengaduk mungkin bengkok atau berputar dengan cara tidak terkontrol.
11. **Pastikan tidak ada cairan tumpah ke rumah mesin listrik.** Cairan yang masuk ke mesin listrik dapat menyebabkan kerusakan pada mesin.
12. **Gunakan gagang tambahan, jika disertakan bersama mesin ini.** Kehilangan kendali dapat menyebabkan cedera badan.
13. **Pegang mesin pada permukaan genggam yang terisolasi saat melakukan pekerjaan bila aksesoris pemotong mungkin bersentuhan dengan kawat tersembunyi atau kabelnya sendiri.** Aksesoris pemotong yang menyentuh kawat "hidup" dapat menyebabkan bagian logam pada mesin teraliri arus listrik dan menyengat pengguna.

Servis

1. **Berikan mesin listrik untuk diperbaiki hanya kepada oleh teknisi yang berkualifikasi dengan menggunakan hanya suku cadang pengganti yang serupa.** Hal ini akan menjamin terjaganya keamanan mesin listrik.
2. **Patuhi petunjuk pelumasan dan penggantian aksesoris.**

Peringatan keselamatan untuk mesin pengaduk

1. **Pegang mesin dengan kedua tangan di pegangan yang ditentukan.** Kehilangan kendali dapat menyebabkan cedera.
2. **Pastikan ventilasi yang cukup saat mengaduk material yang mudah terbakar untuk menghindari atmosfer yang berbahaya.** Uap yang dihasilkan dapat terhirup atau terbakar oleh percikan yang dihasilkan mesin listrik.
3. **Jangan digunakan untuk mengaduk makanan.** Mesin listrik dan aksesorinya tidak didesain untuk memproses makanan.

14. **Selalu pastikan Anda berdiri di atas alas yang kuat.** Pastikan tidak ada orang di bawah Anda ketika menggunakan mesin di lokasi tinggi.
15. **Pegang mesin kuat-kuat.**
16. **Jauhkan tangan dari bagian yang berputar.**
17. **Jangan meninggalkan mesin dalam keadaan hidup.** Hanya operasikan mesin saat Anda memegangnya.
18. **Bahan tertentu mengandung zat kimia yang mungkin beracun.** Hindari menghirup debu dan kontak dengan kulit. Ikuti peringatan keselamatan dari penyuplai material.
19. **Saat melakukan operasi pengadukan, tempatkan kontainer pengaduk pada permukaan yang rata dan stabil.**

SIMPAN PETUNJUK INI.

⚠️ PERINGATAN: JANGAN biarkan kenyamanan atau terbiasanya Anda dengan produk (karena penggunaan berulang) mengurangi kepatuhan yang ketat terhadap aturan keselamatan untuk produk yang terkait. **PENYALAHGUNAAN** atau kelalaian mematuhi kaidah keselamatan yang tertera dalam petunjuk ini dapat menyebabkan cedera badan serius.

DESKRIPSI FUNGSI

⚠️ PERHATIAN: Selalu pastikan bahwa mesin dalam keadaan mati dan steker tercabut sebelum menyatel atau memeriksa kerja mesin.

Kerja sakelar

⚠️ PERHATIAN: Sebelum memasukkan steker, pastikan picu sakelar berfungsi dengan baik dan kembali ke posisi "OFF" saat dilepas.

untuk negara-negara Eropa

► **Gbr.1:** 1. Pelatuk sakelar

Untuk menjalankan mesin, cukup tarik picu saklarnya. Lepaskan pelatuk sakelar untuk berhenti.

untuk negara-negara selain Eropa

► **Gbr.2:** 1. Tombol buka kunci 2. Pelatuk sakelar

Untuk menjalankan mesin, cukup tarik picu saklarnya. Lepaskan pelatuk sakelar untuk berhenti.

Untuk penggunaan terus menerus, tarik picu saklar lalu tekan tombol kunci.

Untuk membebaskan posisi terkunci, tarik picu saklar sampai penuh, lalu lepaskan.

Lampu indikator

► **Gbr.3:** 1. Lampu indikator

Lampu indikator daya-ON yang berwarna hijau menyala ketika steker mesin dicolokkan ke jaringan listrik. Jika lampu indikator menyala tetapi mesin tidak menyala bahkan ketika sakelar mesin posisikan ke ON, ada kemungkinan sikat karbon sudah aus, atau ada kerusakan pada motor atau sakelar. Jika lampu indikator tidak menyala, mungkin ada kerusakan pada kabel utama atau lampu indikator. Jika kabel utamanya rusak, mesin tidak akan menyala atau menyalakan lampu indikator. Jika lampu indikatornya rusak, mesin akan menyala dengan kondisi lampu indikator tidak menyala.

PERAKITAN

⚠️ PERHATIAN: Pastikan bahwa mesin dalam keadaan mati dan steker tercabut sebelum melakukan pekerjaan apa pun pada mesin.

Memasang poros

1. Kencangkan poros pada penahan poros sampai mur segi-enam menyentuh penahan poros.
► **Gbr.4:** 1. Mur segi-enam 2. Poros 3. Penahan poros
2. Tahan takik di dalam penahan poros menggunakan kunci pas 19 sampai tidak bisa berputar. Dengan kondisi takik tertahan, kencangkan mur segi-enam dengan kunci pas 19 lainnya sesuai arah panah.
► **Gbr.5:** 1. Kunci pas 19 2. Takik 3. Kunci pas 19

Memasang sudu pengaduk

- **Gbr.6:** 1. Sudu pengaduk
- **Gbr.7:** 1. Baut kepala segi enam 2. Poros 3. Permukaan rata

Masukkan sudu pengaduk ke poros dan kencangkan dengan baut segi-enam. Setelah itu, posisikan sehingga bagian ujung atas baut segi-enam selalu sesuai dengan permukaan rata pada poros lalu kencangkan mur segi-enamnya dengan kunci pas yang tersedia.

Saat memasang sudu pengaduk pada dua posisi berbeda (hanya bisa dilakukan pada sudu pengaduk yang memungkinkan untuk hal tersebut), pasang dan kencangkan dua sudu pengaduk di bagian yang rata pada poros menggunakan baut kepala segi-enam sehingga permukaan sudu yang sama menghadap satu sama lain seperti ditunjukkan pada gambar.

- **Gbr.8:** 1. Sudu pengaduk 2. Poros
- **Gbr.9:** 1. Baut kepala segi enam 2. Poros 3. Permukaan rata

PENGUNAAN

• **Jangan mengaduk material yang mudah terbakar atau mengoperasikan mesin di sekitar bahan yang mudah terbakar seperti cat dengan tiner sebagai bahan pelarutnya.** Kelalaian dalam melakukannya dapat menyebabkan cedera.

1. Tahan pegangan belakang mesin dengan satu tangan dan gagang mesin dengan tangan yang satunya kuat-kuat, posisikan sudu pengaduk sepenuhnya masuk ke dalam bahan lalu nyalakan mesin setelah memastikan keselamatan di tempat kerja.
2. Gerakkan sudu pengaduk ke atas dan ke bawah selama kerja pengadukan sehingga semua bagian bahan bisa tercampur.
3. Setelah selesai mengaduk, matikan mesin, pastikan bahwa sudu pengaduk benar-benar berhenti, dan kemudian cabut dari kontainer pengaduk.

PERAWATAN

⚠️ PERHATIAN: Selalu pastikan bahwa mesin dimatikan dan steker dicabut sebelum melakukan pemeriksaan atau perawatan.

PEMBERITAHUAN: Jangan sekali-kali menggunakan bensin, tiner, alkohol, atau bahan sejenisnya. Penggunaan bahan demikian dapat menyebabkan perubahan warna, perubahan bentuk atau timbulnya retakan.

Mengganti saringan

► **Gbr.10:** 1. Saringan 2. Penutup 3. Obeng

Ganti saringan secara teratur mengingat efisiensi pendinginan mesin menurun akibat debu atau partikel yang terkumpul dalam saringan. Masukkan mata bor bercelah dan sejenisnya antara mesin dan penutupnya seperti ditunjukkan dalam gambar. Angkat dengan cara yang hampir mirip seperti saat menggunakan sekop lalu lepas penutupnya. Ganti saringan dalam penutup dengan yang baru. Pasang kembali penutup pada mesin.

Mengganti sikat karbon

► **Gbr.11:** 1. Tanda batas

Periksa sikat karbon secara teratur. Lepas sikat karbon ketika aus sampai tanda batas. Jaga agar sikat karbon tetap bersih dan tidak bergeser dari tempatnya. Kedua sikat karbon harus diganti pada waktu yang sama. Hanya gunakan sikat karbon yang sama.

1. Gunakan obeng untuk melepas tutup tempat sikat.
2. Tarik keluar sikat karbon yang aus, masukkan yang baru dan pasang tutup tempat sikat.

► **Gbr.12:** 1. Tutup tempat sikat

Untuk menjaga KEAMANAN dan KEANDALAN mesin, perbaikan, perawatan atau penyetulan lainnya harus dilakukan oleh Pusat Layanan Resmi atau Pabrik Makita; selalu gunakan suku cadang pengganti buatan Makita.

AKSESORI PILIHAN

⚠️ PERHATIAN: Dianjurkan untuk menggunakan aksesoris atau perangkat tambahan ini dengan mesin Makita Anda yang ditentukan dalam petunjuk ini. Penggunaan aksesoris atau perangkat tambahan lain bisa menyebabkan risiko cedera pada manusia. Hanya gunakan aksesoris atau perangkat tambahan sesuai dengan peruntukannya.

Jika Anda memerlukan bantuan lebih rinci berkenaan dengan aksesoris ini, tanyakan pada Pusat Layanan Makita terdekat.

- Sudu pengaduk

Tipe	Diameter maksimum	Memungkinkan untuk dua pisau
Sudu pengaduk 175	175 mm	Memungkinkan
Sudu pengaduk 190	190 mm	Memungkinkan
Sudu pengaduk 220	220 mm	-
Sudu pengaduk 135	135 mm	-
Sudu pengaduk 183	183 mm	Memungkinkan
Sudu pengaduk 201	201 mm	Memungkinkan

- Poros

CATATAN: Beberapa item dalam daftar tersebut mungkin sudah termasuk dalam paket mesin sebagai aksesoris standar. Hal tersebut dapat berbeda dari satu negara ke negara lainnya.

SPEKIFIKASI

Model:	UT2204
Kelajuan tanpa beban	550 min ⁻¹
Diameter bilah membancuh maksimum	220 mm
Panjang keseluruhan	929 mm
Berat bersih	2.7 kg
Kelas keselamatan	□/II

- Disebabkan program penyelidikan dan pembangunan kami yang berterusan, spesifikasi yang terkandung di dalam ini adalah tertakluk kepada perubahan tanpa notis.
- Spesifikasi mungkin berbeza mengikut negara.
- Berat mengikut Prosedur EPTA 01/2014

Simbol

Berikut menunjukkan simbol-simbol yang boleh digunakan untuk alat ini. Pastikan anda memahami maksudnya sebelum menggunakan.



Baca manual arahan.



PENEBATAN BERGANDA



Hanya untuk negara-negara EU
Disebabkan kehadiran komponen berbahaya dalam peralatan, peralatan elektrik dan elektronik terpakai boleh memberi kesan negatif terhadap persekitaran dan kesihatan manusia. Jangan buang alat elektrik dan elektronik bersama dengan bahan buangan isi rumah!
Mengikut Arahan Eropah mengenai sisa peralatan elektrik dan elektronik dan penyesuaian dengan undang-undang negara, peralatan elektrik dan elektronik terpakai hendaklah dikumpulkan secara berasingan dan dihantar ke tempat pengumpulan berasingan untuk sisa perbandaran, beroperasi mengikut peraturan perlindungan persekitaran. Ini ditunjukkan oleh simbol tong sampah beroda yang bersilang pada peralatan.

Tujuan penggunaan

Alat ini bertujuan untuk membancuh bahan dinding dan sebagainya (kecuali bahan mudah terbakar).

Bekalan kuasa

Alat ini perlu disambungkan hanya kepada bekalan kuasa dengan voltan yang sama seperti yang ditunjukkan pada papan nama, dan hanya boleh dikendalikan pada bekalan AC fasa tunggal. Ia mempunyai penebatan berganda dan oleh itu, ia juga boleh digunakan pada soket tanpa wayar bumi.

AMARAN KESELAMATAN

Amaran keselamatan umum alat kuasa

AMARAN: Baca semua amaran keselamatan, arahan, ilustrasi dan spesifikasi yang disediakan dengan alat kuasa ini. Kegagalan mengikut semua arahan yang disenaraikan di bawah boleh menyebabkan kejutan elektrik, kebakaran dan/atau kecederaan serius.

Simpan semua amaran dan arahan untuk rujukan masa depan.

Istilah "alat kuasa" dalam amaran merujuk kepada alat kuasa yang menggunakan tenaga elektrik (dengan kord) atau alat kuasa yang menggunakan bateri (tanpa kord).

Keselamatan kawasan kerja

1. **Pastikan kawasan kerja bersih dan diterangi dengan baik.** Kawasan berselerak atau gelap mengundang kemalangan.
2. **Jangan kendalikan alat kuasa dalam keadaan yang mudah meletup, seperti dalam kehadiran cecair, gas atau habuk yang mudah terbakar.** Alat kuasa menghasilkan percikan api yang boleh menyalakan debu atau wasap.
3. **Jauhkan kanak-kanak dan orang ramai semasa mengendalikan alat kuasa.** Gangguan boleh menyebabkan anda hilang kawalan.

Keselamatan elektrik

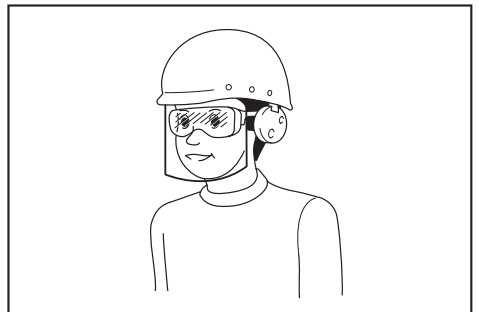
1. **Palam alat kuasa mesti sepadan dengan soket. Jangan ubah suai palam dalam apa cara sekalipun. Jangan gunakan sebarang palam penyesuai dengan alat kuasa terbumi.** Palam yang tidak diubah suai dan soket yang sepadan akan mengurangkan risiko kejutan elektrik.

2. **Elakkan sentuhan badan dengan permukaan terbumi, seperti paip, radiator, dapur dan peti sejuk.** Terdapat peningkatan risiko kejutan elektrik jika elektrik terbumi terkena badan anda.
3. **Jangan biarkan alat kuasa terkena hujan atau basah.** Air yang memasuki alat kuasa akan meningkatkan risiko kejutan elektrik.
4. **Jangan salah gunakan kord.** Jangan gunakan kord untuk membawa, menarik atau mencabut palam alat kuasa. Jauhkan kord dari haba, minyak, bucu tajam atau bahagian yang bergerak. Kord yang rosak atau tersimpul meningkatkan risiko kejutan elektrik.
5. **Semasa mengendalikan alat kuasa di luar, gunakan kord sambungan yang bersesuaian untuk kegunaan luar.** Penggunaan kord yang sesuai untuk kegunaan luar mengurangkan risiko kejutan elektrik.
6. **Sekiranya pengendalian alat kuasa di lokasi lembap tidak dapat dielakkan, gunakan bekalan peranti arus sisa (RCD) yang dilindungi.** Penggunaan RCD mengurangkan risiko kejutan elektrik.
7. **Penggunaan bekalan kuasa melalui RCD dengan arus sisa yang bernilai 30 mA atau kurang sentiasa disyorkan.**
8. **Alat kuasa boleh menghasilkan medan elektromagnetik (EMF) yang tidak berbahaya kepada pengguna.** Walau bagaimanapun, pengguna perentak jantung atau peranti perubatan yang serupa harus menghubungi pembuat peranti mereka dan/atau doktor untuk nasihat sebelum mengendalikan alat kuasa ini.
9. **Jangan sentuh palam kuasa dengan tangan yang basah.**
10. **Jika kord rosak, minta ia diganti oleh pengilang atau ejennya bagi mengelakkan bahaya keselamatan.**

Keselamatan diri

1. **Sentiasa berwaspada, perhatikan apa yang anda lakukan dan guna akal budi semasa mengendalikan alat kuasa.** Jangan gunakan alat kuasa semasa anda letih atau di bawah pengaruh dadah, alkohol atau ubat. Kelekaan seketika semasa mengendalikan alat kuasa boleh menyebabkan kecederaan diri yang serius.
2. **Gunakan peralatan pelindung diri.** Sentiasa pakai pelindung mata. Peralatan pelindung seperti topeng debu, kasut keselamatan tak mudah tergelincir, topi keselamatan atau pelindung pendengaran yang digunakan untuk keadaan yang sesuai akan mengurangkan kecederaan diri.
3. **Elakkan permulaan yang tidak disengajakan.** Pastikan suis ditutup sebelum menyambung kepada sumber kuasa dan/atau pek bateri, semasa mengangkat atau membawa alat. Membawa alat kuasa dengan jari anda pada suis atau menahan alat kuasa dengan suis pada kedudukan hidup mengundang kemalangan.
4. **Alihkan sebarang kunci atau sepana pelaras sebelum menghidupkan alat kuasa.** Sepana atau kunci yang ditinggalkan pada bahagian berputar alat kuasa boleh menyebabkan kecederaan diri.

5. **Jangan lampau jangkau.** Jaga pijakan dan keseimbangan yang betul pada setiap masa. Ini membolehkan kawalan alat kuasa yang lebih baik dalam situasi yang tidak dijangka.
6. **Berpakaian dengan betul.** Jangan pakai pakaian yang longgar atau barang kemas. Jauhkan rambut dan pakaian anda dari bahagian yang bergerak. Pakaian longgar, barang kemas atau rambut yang panjang boleh terperangkap dalam bahagian yang bergerak.
7. **Jika peranti disediakan untuk sambungan kemudahan pengekstrakan dan pengumpulan habuk, pastikan ia disambung dan digunakan dengan betul.** Penggunaan pengumpulan habuk boleh mengurangkan bahaya berkaitan habuk.
8. **Jangan biarkan kebiasaan daripada kekerapan penggunaan alat membuatkan anda berpuas hati dan mengabaikan prinsip keselamatan alat.** Kecuaian boleh menyebabkan kecederaan serius dalam sekelip mata.
9. **Sentiasa pakai kaca mata pelindung untuk melindungi mata anda daripada kecederaan apabila menggunakan alat kuasa.** Kaca mata mestilah mematuhi ANSI Z87.1 di AS, EN 166 di Eropah, atau AS/NZS 1336 di Australia/New Zealand. Di Australia/New Zealand, undang-undang mengarahkan untuk memakai pelindung muka bagi melindungi muka anda, juga.



Menjadi tanggungjawab majikan untuk menguatkuasa penggunaan peralatan perlindungan keselamatan yang bersesuaian oleh pengendali alat dan oleh orang lain dalam kawasan bekerja semasa.

Penggunaan dan penjagaan alat kuasa

1. **Jangan gunakan alat kuasa dengan kasar.** Gunakan alat kuasa yang betul untuk penggunaan anda. Alat kuasa yang betul akan melakukan tugas dengan lebih baik dan lebih selamat pada kadar mana ia direka cipta.
2. **Jangan gunakan alat kuasa jika suis tidak berfungsi untuk menghidupkan dan mematikannya.** Alat kuasa yang tidak dapat dikawal dengan suis adalah berbahaya dan mesti dibaiki.

3. **Cabut palam dari sumber kuasa dan/atau keluarkan pek bateri, jika boleh ditanggalkan, dari alat kuasa sebelum membuat sebarang pelarasan, menukar aksesori, atau menyimpan alat kuasa.** Langkah-langkah keselamatan pencegahan sedemikian mengurangkan risiko memulakan alat kuasa secara tidak sengaja.
4. **Simpan alat kuasa yang tidak digunakan jauh dari jangkauan kanak-kanak dan jangan biarkan orang yang tidak biasa dengan alat kuasa atau arahan ini untuk mengendalikan alat kuasa.** Alat kuasa adalah berbahaya di tangan pengguna yang tidak terlatih.
5. **Menyelenggara alat kuasa dan aksesori.** Periksa salah jajaran atau ikatan pada bahagian yang bergerak, bahagian yang pecah dan apa-apa keadaan lain yang boleh menjejaskan operasi alat kuasa. Jika rosak, baiki alat kuasa sebelum digunakan. Kebanyakan kemalangan adalah disebabkan oleh alat kuasa yang tidak dijaga dengan baik.
6. **Pastikan alat pemotong tajam dan bersih.** Alat pemotong yang dijaga dengan betul dengan hujung pemotong yang tajam mempunyai kemungkinan yang rendah untuk terikat dan lebih mudah dikendalikan.
7. **Gunakan alat kuasa, aksesori dan alat bit dan sebagainya mengikut arahan ini dengan mengambil kira keadaan kerja dan kerja yang perlu dilakukan.** Penggunaan alat kuasa untuk operasi yang berbeza dari yang dimaksudkan boleh menyebabkan keadaan berbahaya.
8. **Pastikan pemegang dan permukaan pegangan kering, bersih dan bebas dari minyak dan gris.** Pemegang dan permukaan pegangan yang licin tidak membolehkan pengendalian dan kawalan selamat bagi alat dalam situasi yang tidak dijangka.
9. **Apabila menggunakan alat, jangan pakai sarung tangan kerja kain yang mungkin boleh kusut.** Kekusutan sarung tangan kerja kain pada bahagian yang bergerak boleh menyebabkan kecederaan diri.
4. **Jauhkan kord dari kawasan kerja.** Kord mungkin tersangkut disebabkan oleh bilah membancuh.
5. **Pastikan bahawa bekas pembancuh diletakkan dalam kedudukan yang kukuh dan selamat.** Bekas yang tidak dikukuhkan dengan betul boleh bergerak atau terbalik tanpa dijangka.
6. **Pastikan tiada percikan cecair pada penutup alat kuasa.** Cecair yang telah menembusi alat kuasa boleh menyebabkan kerosakan pada alat tersebut dan kejutan elektrik.
7. **Ikut arahan dan amaran untuk bahan yang akan dibancuhkan.** Bahan yang akan dibancuhkan mungkin berbahaya.
8. **Jika alat elektrik terjatuh ke dalam bahan yang akan dibancuhkan, tanggalkan dari palam dengan segera alat tersebut dan bawa alat elektrik untuk diperiksa oleh pembאי pulih yang berkelayakan.** Mencapai ke dalam baldi dengan alat yang masih terpasang boleh menyebabkan kejutan elektrik.
9. **Jangan capai masuk ke dalam bekas pembancuh dengan tangan anda atau masukkan benda lain ke dalam bekas semasa membancuh.** Sentuhan dengan bilah membancuh boleh menyebabkan kecederaan peribadi yang serius.
10. **Mulakan dan hentikan alat dalam bekas pembancuh sahaja.** Bilah membancuh boleh bengkok atau berputar dengan cara yang tidak terkawal.
11. **Pastikan tiada percikan cecair pada penutup alat kuasa.** Cecair yang telah menembusi alat kuasa boleh menyebabkan kerosakan pada alat tersebut.
12. **Gunakan pemegang tambahan, jika dibekalkan dengan alat.** Hilang kawalan mungkin menyebabkan kecederaan diri.
13. **Pegang alat kuasa pada permukaan mencengkam tertebat apabila melakukan operasi yang aksesori pemotong mungkin tersentuh wayar tersembunyi atau kordnya sendiri.** Aksesori pemotong yang bersentuh dengan wayar "hidup" boleh menyebabkan bahagian logam alat kuasa "hidup" terdedah dan boleh memberi kejutan elektrik kepada pengendali.

Servis

1. **Pastikan alat kuasa anda diservis oleh orang yang berkelayakan dengan hanya menggunakan alat ganti yang sama.** Ini akan memastikan keselamatan alat kuasa dapat dikekalkan.
2. **Ikut arahan untuk melincir dan menukar aksesori.**
14. **Sentiasa pastikan anda mempunyai tapak berpijak yang kukuh.** Pastikan tiada sesiapa di bawah apabila menggunakan alat di lokasi yang tinggi.
15. **Pegang alat dengan kukuh.**

Amaran keselamatan pembancuh

1. **Pegang alat dengan kedua-dua belah tangan pada pemegang yang dikhaskan.** Hilang kawalan boleh menyebabkan kecederaan diri.
2. **Pastikan pengudaraan yang mencukupi semasa membancuh bahan mudah terbakar untuk mengelakkan keadaan berbahaya.** Wap yang terbentuk boleh disedut atau dinyalakan oleh percikan api yang terhasil daripada alat kuasa.
3. **Jangan membancuh makanan.** Alat kuasa dan aksesori alat ini tidak direka untuk memproses makanan.
16. **Jauhkan tangan daripada bahagian berpusing.**
17. **Jangan tinggalkan alat yang sedang berjalan.** Operasikan alat hanya semasa anda memegangnya.
18. **Sesetengah bahan mengandungi bahan kimia yang mungkin toksik.** Sila berhati-hati untuk mencegah penyedutan habuk dan sentuhan kulit. Ikuti amaran keselamatan oleh pembekal bahan.
19. **Semasa menjalankan operasi pembancuhan, letakkan bekas pembancuh di permukaan rata dan stabil.**

SIMPAN ARAHAN INI.

⚠️ AMARAN: JANGAN biarkan keselesaan atau kebiasaan dengan produk (daripada penggunaan berulang) menggantikan pematuhan ketat terhadap peraturan keselamatan untuk produk yang ditetapkan. SALAH GUNA atau kegagalan mematuhi peraturan-peraturan keselamatan yang dinyatakan dalam manual arahan ini boleh menyebabkan kecederaan diri yang serius.

KETERANGAN FUNGSI

⚠️ PERHATIAN: Sentiasa pastikan alat dimatikan dan dicabut sebelum menyelaras atau menyemak fungsi pada alat.

Tindakan suis

⚠️ PERHATIAN: Sebelum memasang alat, sentiasa periksa untuk melihat pemacu suis bergerak dengan betul dan kembali ke posisi "OFF" apabila dilepaskan.

untuk negara Eropah

► **Rajah1:** 1. Pemacu suis

Untuk memulakan alat, hanya tarik pemacu suis. Lepaskan pemacu suis untuk berhenti.

untuk negara Eropah yang lain

► **Rajah2:** 1. Butang kunci 2. Pemacu suis

Untuk memulakan alat, hanya tarik pemacu suis. Lepaskan pemacu suis untuk berhenti. Untuk operasi berterusan, tarik pemacu suis dan kemudian tolak masuk butang kunci. Untuk menghentikan alat dari kedudukan terkunci, tarik pemacu suis sepenuhnya, kemudian lepaskan.

Lampu penunjuk

► **Rajah3:** 1. Lampu penunjuk

Lampu penunjuk kuasa hijau menyala apabila alat dipasang pada punca utama kuasa. Jika lampu penunjuk menyala tetapi alat tidak bermula walaupun alat dihidupkan, berus karbon mungkin telah haus, motor atau suis mungkin rosak. Jika lampu penunjuk tidak menyala, kord utama atau lampu penunjuk mungkin rosak. Apabila kord utama rosak, alat tidak boleh bermula atau menyalakan lampu penunjuk. Apabila lampu penunjuk rosak, alat akan bermula tanpa lampu penunjuk menyala.

PEMASANGAN

⚠️ PERHATIAN: Sentiasa pastikan alat dimatikan dan palamnya dicabut sebelum menjalankan apa-apa kerja pada alat.

Memasang aci

1. Ketatkan aci ke dalam pemegang aci sehingga nat heksagon bersentuhan dengan pemegang aci.
► **Rajah4:** 1. Nat heksagon 2. Aci 3. Pemegang aci
2. Pegang takuk dengan pemegang aci dengan perengkuh 19 supaya ia tidak boleh berkisar. Dengan takuk yang dipegang sedemikian, ketatkan nat heksagon dengan perengkuh 19 yang lain mengikut arah anak panah.
► **Rajah5:** 1. Perengkuh 19 2. Takuk 3. Perengkuh 19

Memasang bilah membancuh

- **Rajah6:** 1. Bilah membancuh
- **Rajah7:** 1. Bolt heksagon 2. Aci 3. Permukaan rata

Pasangkan bilah membancuh ke dalam aci dan kemudian kukuhkan ia dengan bolt heksagon. Pada masa ini, letakkan ia sehingga hujung atas bolt heksagon sentiasa sepadan dengan permukaan rata pada aci dan ketatkan bolt heksagon dengan perengkuh yang disediakan.

Semasa memasang bilah membancuh pada dua kedudukan yang berbeza (yang hanya terpakai untuk bilah membancuh yang dibenarkan untuk melakukan ia), pasang dan ketatkan dua bilah membancuh pada bahagian rata aci dengan bolt heksagon sehingga permukaan bilah yang sama menghadap satu sama lain seperti yang ditunjukkan dalam rajah.

- **Rajah8:** 1. Bilah membancuh 2. Aci
- **Rajah9:** 1. Bolt heksagon 2. Aci 3. Permukaan rata

OPERASI

• **Jangan membancuh bahan mudah terbakar atau mengendalikan alat di sekitar bahan mudah terbakar seperti cat dengan pencair digunakan sebagai pelarut.** Kegagalan berbuat demikian boleh menyebabkan kecederaan.

1. Pegang pemegang belakang alat dengan satu tangan dan pemegang dengan tangan lain dengan kemas, letakkan bilah membancuh di bawah bahan sepenuhnya dan hidupkan alat selepas memastikan keselamatan tapak kerja.
2. Gerakkan bilah membancuh ke atas dan ke bawah semasa operasi membancuh supaya keseluruhan bahagian bahan boleh dibancuh.
3. Apabila membancuh selesai, matikan alat, pastikan yang bilah membancuh telah berhenti sepenuhnya dan kemudian, tarik alat keluar dari bekas pembancuh.

PENYELENGGARAAN

⚠️ PERHATIAN: Sentiasa pastikan alat dimatikan dan palangnya dicabut sebelum cuba menjalankan pemeriksaan atau penyelenggaraan.

NOTIS: Jangan gunakan petrol, benzin, pencair, alkohol atau bahan yang serupa. Ia boleh menyebabkan perubahan warna, bentuk atau keretakan.

Menggantikan penapis

► **Rajah10:** 1. Penapis 2. Penutup 3. Pemutar skru

Gantikan penapis secara berkala kerana kecekapan penyjukan alat berkurang disebabkan habuk atau zarah yang terdapat di dalam penapis. Sisipkan pemutar skru bit dan yang serupa di antara alat dan penutup seperti yang ditunjukkan dalam rajah. Angkat seperti menggunakan penyodok dan tanggalkan penutup. Gantikan penapis pada penutup dengan yang baharu. Pasang semula penutup pada alat.

Menggantikan berus karbon

► **Rajah11:** 1. Tanda had

Periksa berus karbon dengan kerap. Gantikan ia apabila ia telah haus sehingga tanda had. Pastikan berus karbon sentiasa bersih dan bebas untuk dimasukkan ke dalam pemegang. Kedua-dua berus karbon harus diganti pada masa yang sama. Gunakan hanya berus karbon yang serupa.

1. Gunakan pemutar skru untuk mengeluarkan penutup pemegang berus.
2. Keluarkan berus karbon yang telah haus, masukkan berus baharu dan kukuhkan penutup pemegang berus.

► **Rajah12:** 1. Penutup pemegang berus

Untuk mengekalkan KESELAMATAN dan KEBOLEHPERCAYAAN produk, pembaikan, apa-apa penyelenggaraan atau penyesuaian lain perlu dilakukan oleh Kilang atau Pusat Servis Makita yang Diiktiraf, sentiasa gunakan alat ganti Makita.

AKSESORI PILIHAN

⚠️ PERHATIAN: Aksesori-aksesori atau lampiran-lampiran ini adalah disyorkan untuk digunakan dengan alat Makita anda yang ditentukan dalam manual ini. Penggunaan mana-mana aksesori-aksesori atau lampiran-lampiran lain mungkin mengakibatkan risiko kecederaan kepada orang. Hanya gunakan aksesori atau lampiran untuk tujuan yang dinyatakan.

Jika anda memerlukan sebarang bantuan untuk maklumat lebih lanjut mengenai aksesori ini, tanya Pusat Perkhidmatan Makita tempatan anda.

- Bilah membancuh

Jenis	Diameter maksimum	Bilah berkembar mungkin
Bilah membancuh 175	175 mm	Mungkin
Bilah membancuh 190	190 mm	Mungkin
Bilah membancuh 220	220 mm	-
Bilah membancuh 135	135 mm	-
Bilah membancuh 183	183 mm	Mungkin
Bilah membancuh 201	201 mm	Mungkin

- Aci

NOTA: Beberapa item dalam senarai mungkin disertakan dalam pakej alat sebagai aksesori standard. Item mungkin berbeza mengikut negara.

THÔNG SỐ KỸ THUẬT

Kiểu máy:	UT2204
Tốc độ không tải	550 min ⁻¹
Đường kính lưới trộn tối đa	220 mm
Tổng chiều dài	929 mm
Khối lượng tịnh	2,7 kg
Cấp an toàn	□/II

- Do chương trình nghiên cứu và phát triển liên tục của chúng tôi nên các thông số kỹ thuật trong đây có thể thay đổi mà không cần thông báo trước.
- Các thông số kỹ thuật có thể thay đổi tùy theo từng quốc gia.
- Khối lượng tùy theo Quy trình EPTA tháng 01/2014

Ký hiệu

Phần dưới đây cho biết các ký hiệu có thể được dùng cho thiết bị. Đảm bảo rằng bạn hiểu rõ ý nghĩa của các ký hiệu này trước khi sử dụng.



Đọc tài liệu hướng dẫn.



CÁCH ĐIỆN CẤP 2



Chỉ dành cho các quốc gia EU
Do có các thành phần nguy hiểm bên trong thiết bị, thiết bị điện và điện tử đã qua sử dụng nên có thể có tác động không tốt đến môi trường và sức khỏe con người.
Không vứt bỏ thiết bị điện và điện tử cùng với rác thải sinh hoạt!
Theo Chỉ thị của Châu Âu về thiết bị điện và điện tử thải bỏ và sự thích ứng của nó với luật pháp quốc gia, thiết bị điện và điện tử đã qua sử dụng phải được thu gom riêng và chuyển đến một điểm thu gom rác thải đồ thị riêng biệt, hoạt động theo các quy định về bảo vệ môi trường.
Điều này được biểu thị bằng biểu tượng thùng rác có bánh xe gạch chéo được đặt trên thiết bị.

Mục đích sử dụng

Dụng cụ này được dùng để trộn vật liệu làm tường, v.v... (trừ vật liệu dễ cháy).

Nguồn cấp điện

Dụng cụ này chỉ được nối với nguồn cấp điện có điện áp giống như đã chỉ ra trên biển tên và chỉ có thể được vận hành trên nguồn điện AC đơn pha. Chúng được cách điện hai lớp và do đó cũng có thể được sử dụng từ các ổ cắm điện không có dây tiếp đất.

CẢNH BÁO AN TOÀN

Cảnh báo an toàn chung dành cho dụng cụ máy

⚠ CẢNH BÁO: Xin đọc tất cả các cảnh báo an toàn, hướng dẫn, minh họa và thông số kỹ thuật đi kèm với dụng cụ máy này. Việc không tuân theo các hướng dẫn được liệt kê dưới đây có thể dẫn đến điện giật, hỏa hoạn và/hoặc thương tích nghiêm trọng.

Lưu giữ tất cả cảnh báo và hướng dẫn để tham khảo sau này.

Thuật ngữ “dụng cụ máy” trong các cảnh báo đề cập đến dụng cụ máy (có dây) được vận hành bằng nguồn điện chính hoặc dụng cụ máy (không dây) được vận hành bằng pin của bạn.

An toàn tại nơi làm việc

1. **Giữ nơi làm việc sạch sẽ và có đủ ánh sáng.**
Nơi làm việc bừa bộn hoặc tối thường dễ gây ra tai nạn.
2. **Không vận hành dụng cụ máy trong môi trường cháy nổ, ví dụ như môi trường có sự hiện diện của các chất lỏng, khí hoặc bụi dễ cháy.** Các dụng cụ máy tạo tia lửa điện có thể làm bụi hoặc khí bốc cháy.
3. **Giữ trẻ em và người ngoài tránh xa nơi làm việc khi đang vận hành dụng cụ máy.** Sự xao lãng có thể khiến bạn mất khả năng kiểm soát.

An toàn về Điện

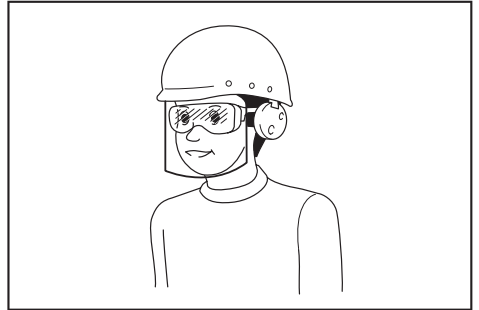
1. **Phích cắm của dụng cụ máy phải khớp với ổ cắm. Không được sửa đổi phích cắm theo bất kỳ cách nào. Không sử dụng bất kỳ phích chuyển đổi nào với các dụng cụ máy được nối đất (tiếp đất).** Các phích cắm còn nguyên vẹn và ổ cắm phù hợp sẽ giảm nguy cơ điện giật.

2. **Tránh để cơ thể tiếp xúc với các bề mặt nổi đất hoặc tiếp đất như đường ống, bộ tản nhiệt, bể ga và tủ lạnh.** Nguy cơ bị điện giật sẽ tăng lên nếu cơ thể bạn được nối đất hoặc tiếp đất.
3. **Không để dụng cụ máy tiếp xúc với mưa hoặc trong điều kiện ẩm ướt.** Nước lọt vào dụng cụ máy sẽ làm tăng nguy cơ điện giật.
4. **Không lạm dụng dây điện. Không được phép sử dụng dây để mang, kéo hoặc tháo phích cắm dụng cụ máy. Giữ dây tránh xa nguồn nhiệt, dầu, các mép sắc hoặc các bộ phận chuyển động.** Dây bị hỏng hoặc bị rối sẽ làm tăng nguy cơ điện giật.
5. **Khi vận hành dụng cụ máy ngoài trời, hãy sử dụng dây kéo dài phù hợp cho việc sử dụng ngoài trời.** Việc dùng dây phù hợp cho việc sử dụng ngoài trời sẽ giảm nguy cơ điện giật.
6. **Nếu bắt buộc phải vận hành dụng cụ máy ở nơi ẩm ướt, hãy sử dụng nguồn cấp điện được bảo vệ bằng thiết bị ngắt dòng điện rò (RCD).** Việc sử dụng RCD sẽ làm giảm nguy cơ điện giật.
7. **Chúng tôi luôn khuyến bạn sử dụng nguồn cấp điện qua thiết bị RCD có thể ngắt dòng điện rò định mức 30 mA hoặc thấp hơn.**
8. **Các dụng cụ máy có thể tạo ra từ trường điện (EMF) có hại cho người dùng.** Tuy nhiên, người dùng máy trợ tim và những thiết bị y tế tương tự khác nên liên hệ với nhà sản xuất thiết bị và/hoặc bác sỹ để được tư vấn trước khi vận hành dụng cụ này.
9. **Không chạm vào đầu cắm điện bằng tay ướt.**
10. **Nếu dây bị hỏng, hãy nhờ nhà sản xuất hoặc đại lý thay dây mới để tránh nguy hiểm về an toàn.**

An toàn Cá nhân

1. **Luôn tỉnh táo, quan sát những việc bạn đang làm và sử dụng những phán đoán theo kinh nghiệm khi vận hành dụng cụ máy. Không sử dụng dụng cụ máy khi bạn đang mệt mỏi hoặc chịu ảnh hưởng của ma túy, rượu hay thuốc.** Chỉ một khoảnh khắc không tập trung khi đang vận hành dụng cụ máy cũng có thể dẫn đến thương tích cá nhân nghiêm trọng.
2. **Sử dụng thiết bị bảo hộ cá nhân. Luôn đeo thiết bị bảo vệ mắt.** Các thiết bị bảo hộ như mặt nạ chống bụi, giày an toàn chống trượt, mũ bảo hộ hay thiết bị bảo vệ thính giác được sử dụng trong các điều kiện thích hợp sẽ giúp giảm thương tích cá nhân.
3. **Tránh vô tình khởi động dụng cụ máy. Đảm bảo công tắc ở vị trí off (tắt) trước khi nối nguồn điện và/hoặc bộ pin, cắm hoặc di chuyển dụng cụ máy.** Việc di chuyển dụng cụ máy khi đang đặt ngón tay ở vị trí công tắc hoặc cấp điện cho dụng cụ máy đang bật thường dễ gây ra tai nạn.
4. **Tháo tất cả các khóa hoặc cờ lê điều chỉnh trước khi bật dụng cụ máy.** Việc cờ lê hoặc khóa vẫn còn gắn vào bộ phận quay của dụng cụ máy có thể dẫn đến thương tích cá nhân.
5. **Không với quá cao. Luôn giữ thăng bằng tốt và có chỗ để chân phù hợp.** Điều này cho phép điều khiển dụng cụ máy tốt hơn trong những tình huống bất ngờ.

6. **Ăn mặc phù hợp. Không mặc quần áo rộng hay đeo đồ trang sức. Giữ tóc và quần áo tránh xa các bộ phận chuyển động.** Quần áo rộng, đồ trang sức hay tóc dài có thể mắc vào các bộ phận chuyển động.
7. **Nếu các thiết bị được cung cấp để kết nối các thiết bị thu gom và hút bụi, hãy đảm bảo chúng được kết nối và sử dụng hợp lý.** Việc sử dụng thiết bị thu gom bụi có thể làm giảm những mối nguy hiểm liên quan đến bụi.
8. **Không vì quen thuộc do thường xuyên sử dụng các dụng cụ mà cho phép bạn trở nên tự mãn và bỏ qua các nguyên tắc an toàn dụng cụ.** Một hành động bất cẩn có thể gây ra thương tích nghiêm trọng trong một phần của một giây.
9. **Luôn luôn mang kính bảo hộ để bảo vệ mắt khỏi bị thương khi đang sử dụng các dụng cụ máy. Kính bảo hộ phải tuân thủ ANSI Z87.1 ở Mỹ, EN 166 ở Châu Âu, hoặc AS/NZS 1336 ở Úc/New Zealand. Tại Úc/New Zealand, theo luật pháp, bạn cũng phải mang mặt nạ che mặt để bảo vệ mặt.**



Trách nhiệm của chủ lao động là bắt buộc người vận hành dụng cụ và những người khác trong khu vực làm việc cạnh đó phải sử dụng các thiết bị bảo hộ an toàn thích hợp.

Sử dụng và bảo quản dụng cụ máy

1. **Không dùng lực đối với dụng cụ máy. Sử dụng đúng dụng cụ máy cho công việc của bạn.** Sử dụng đúng dụng cụ máy sẽ giúp thực hiện công việc tốt hơn và an toàn hơn theo giá trị định mức được thiết kế của dụng cụ máy đó.
2. **Không sử dụng dụng cụ máy nếu công tắc không bật và tắt được dụng cụ máy đó.** Mọi dụng cụ máy không thể điều khiển được bằng công tắc đều rất nguy hiểm và phải được sửa chữa.
3. **Rút phích cắm ra khỏi nguồn điện và/hoặc tháo kết nối bộ pin khỏi dụng cụ máy, nếu có thể tháo rời trước khi thực hiện bất kỳ công việc điều chỉnh, thay đổi phụ tùng hay cất giữ dụng cụ máy nào.** Những biện pháp an toàn phòng ngừa này sẽ giảm nguy cơ vô tình khởi động dụng cụ máy.
4. **Cất giữ các dụng cụ máy không sử dụng ngoài tầm với của trẻ em và không cho bất kỳ người nào không có hiểu biết về dụng cụ máy hoặc các hướng dẫn này vận hành dụng cụ máy.** Dụng cụ máy sẽ rất nguy hiểm nếu được sử dụng bởi những người dùng chưa qua đào tạo.

5. **Bảo dưỡng dụng cụ máy và các phụ kiện.** Kiểm tra tình trạng lệch trục hoặc bó kẹt của các bộ phận chuyển động, hiện tượng nứt vỡ của các bộ phận và mọi tình trạng khác mà có thể ảnh hưởng đến hoạt động của dụng cụ máy. Nếu có hỏng hóc, hãy sửa chữa dụng cụ máy trước khi sử dụng. Nhiều tai nạn xảy ra là do không bảo quản tốt dụng cụ máy.
6. **Luôn giữ cho dụng cụ cất được sắc bén và sạch sẽ.** Những dụng cụ cất được bảo quản tốt có mép cắt sắc sẽ ít bị kẹt hơn và dễ điều khiển hơn.
7. **Sử dụng dụng cụ máy, phụ tùng và đầu dụng cụ cắt, v.v... theo các hướng dẫn này, có tính đến điều kiện làm việc và công việc được thực hiện.** Việc sử dụng dụng cụ máy cho các công việc khác với công việc dự định có thể gây nguy hiểm.
8. **Giữ tay cầm và bề mặt tay cầm khô, sạch, không dính dầu và mỡ.** Tay cầm trơn trượt và bề mặt tay cầm không cho phép xử lý an toàn và kiểm soát dụng cụ trong các tình huống bất ngờ.
9. **Khi sử dụng dụng cụ, không được đi giày tay lao động bằng vải, có thể bị vướng.** Việc giày tay lao động bằng vải vướng vào các bộ phận chuyển động có thể gây ra thương tích cá nhân.

Bảo dưỡng

1. **Đề nghị viên sửa chữa đủ trình độ bảo dưỡng dụng cụ máy của bạn và chỉ sử dụng các bộ phận thay thế đồng nhất.** Việc này sẽ đảm bảo duy trì được độ an toàn của dụng cụ máy.
2. **Tuân theo hướng dẫn dành cho việc bôi trơn và thay phụ tùng.**

Cảnh báo an toàn máy trộn

1. **Cầm giữ dụng cụ bằng cả hai tay ở các tay nắm định trước.** Việc mất khả năng kiểm soát có thể dẫn đến thương tích cá nhân.
2. **Đảm bảo thông gió đầy đủ khi trộn các vật liệu dễ cháy để tránh không khí nguy hiểm.** Hơi phát sinh có thể bị hít vào hoặc bốc cháy do tia lửa mà dụng cụ điện tạo ra.
3. **Không dùng để trộn thực phẩm.** Dụng cụ điện và các phụ kiện của dụng cụ điện không được thiết kế để chế biến thực phẩm.
4. **Giữ dây nguồn tránh xa các khu vực làm việc.** Dây điện có thể bị vướng vào lưỡi trộn.
5. **Đảm bảo hộp trộn được đặt ở vị trí vững chắc và an toàn.** Hộp chứa không được gắn cố định đúng cách có thể di chuyển bất ngờ.
6. **Đảm bảo không có chất lỏng bắn văng vào vỏ của dụng cụ điện.** Chất lỏng thấm vào dụng cụ máy có thể gây hư hỏng hoặc dẫn đến điện giật.
7. **Hãy làm theo các hướng dẫn và cảnh báo cho vật liệu được trộn.** Vật liệu cần được trộn có thể có hại.
8. **Nếu dụng cụ máy rơi vào vật liệu cần trộn, rút phích cắm của dụng cụ ngay lập tức và hãy để nhân viên sửa chữa đủ trình độ kiểm tra dụng cụ máy.** Với tay vào thùng chứa trong khi công cụ vẫn đang cắm điện có thể dẫn đến điện giật.

9. **Không được với tay vào hộp trộn hoặc chén bất kỳ vật nào khác vào trong hộp trộn khi đang trộn.** Tiếp xúc với lưỡi trộn có thể dẫn đến thương tích cá nhân nghiêm trọng.
10. **Khởi động và chỉ chạy dụng cụ trong hộp trộn.** Lưỡi trộn có thể uốn cong hoặc quay ở điều kiện không kiểm soát được.
11. **Đảm bảo không có chất lỏng bắn văng vào vỏ của dụng cụ điện.** Chất lỏng thấm vào dụng cụ điện có thể gây hư hỏng dụng cụ.
12. **Sử dụng các tay cầm phụ nếu được cung cấp kèm theo dụng cụ.** Việc mất khả năng kiểm soát có thể dẫn đến thương tích cá nhân.
13. **Cầm dụng cụ máy bằng bề mặt kẹp cách điện khi thực hiện một thao tác trong đó bộ phận cắt có thể tiếp xúc với dây dẫn kín hoặc dây của chính nó.** Phụ kiện cắt tiếp xúc với dây dẫn "có điện" có thể khiến các bộ phận kim loại bị hở của dụng cụ máy "có điện" và làm cho người vận hành bị điện giật.
14. **Luôn đảm bảo bạn có chỗ đặt chân vững chắc.** Đảm bảo rằng không có ai ở bên dưới khi sử dụng dụng cụ ở trên cao.
15. **Cầm chắc dụng cụ.**
16. **Giữ tay tránh xa các bộ phận quay.**
17. **Không để mặc dụng cụ hoạt động.** Chỉ vận hành dụng cụ khi bạn cầm dụng cụ.
18. **Một số vật liệu có thể chứa hóa chất độc hại.** Phải cẩn trọng tránh hít phải bụi và để tiếp xúc với da. Tuân thủ cảnh báo an toàn của nhà cung cấp vật liệu.
19. **Khi thực hiện thao tác trộn, đặt hộp trộn lên bề mặt phẳng và cố định.**

LƯU GIỮ CÁC HƯỚNG DẪN NÀY.

⚠CẢNH BÁO: KHÔNG vì đã thoải mái hay quen thuộc với sản phẩm (có được do sử dụng nhiều lần) mà không tuân thủ nghiêm ngặt các quy định về an toàn dành cho sản phẩm này. **VIỆC DÙNG SAI** hoặc không tuân theo các quy định về an toàn được nêu trong tài liệu hướng dẫn này có thể dẫn đến thương tích cá nhân nghiêm trọng.

MÔ TẢ CHỨC NĂNG

⚠THẬN TRỌNG: Luôn bảo đảm rằng dụng cụ được tắt điện và rút phích cắm trước khi điều chỉnh hoặc kiểm tra chức năng của dụng cụ.

Hoạt động công tắc

⚠THẬN TRỌNG: Trước khi cắm điện vào dụng cụ, luôn luôn kiểm tra xem cần khởi động công tắc có hoạt động bình thường hay không và trả về vị trí "OFF" (TẮT) khi nhả ra.

đổi với các quốc gia Châu Âu

► **Hình1:** 1. Cần khởi động công tắc

Để khởi động dụng cụ, chỉ cần kéo cần khởi động công tắc. Nhả cần khởi động công tắc ra để dừng.

đổi với các quốc gia khác ngoài Châu Âu

► **Hình2:** 1. Nút Nhả khóa 2. Cần khởi động công tắc

Để khởi động dụng cụ, chỉ cần kéo cần khởi động công tắc. Nhả cần khởi động công tắc ra để dừng.

Để tiếp tục vận hành, hãy kéo cần khởi động công tắc và sau đó nhấn vào nút khóa.

Để dừng dụng cụ từ vị trí đã khóa, hãy kéo cần khởi động công tắc hết mức, sau đó nhả ra.

Đèn chỉ báo

► **Hình3:** 1. Đèn chỉ báo

Đèn chỉ báo nguồn điện BẬT màu xanh lá sẽ sáng lên khi dụng cụ được cắm vào nguồn điện chính. Đèn chỉ báo bật sáng nhưng dụng cụ không khởi động ngay cả khi dụng cụ được BẬT lên, các chổi các-bon có thể bị mòn, hoặc motor hoặc công tắc có thể bị hư hỏng. Nếu đèn chỉ báo này không sáng, dây điện chính hoặc đèn chỉ báo có thể bị hỏng. Khi dây điện chính bị hỏng, dụng cụ sẽ không khởi động và đèn chỉ báo cũng không sáng. Khi đèn chỉ báo bị hỏng, dụng cụ sẽ khởi động mà không sáng đèn chỉ báo.

LẮP RÁP

⚠ THẬN TRỌNG: Luôn luôn đảm bảo rằng dụng cụ đã được tắt và tháo phích cắm trước khi dùng dụng cụ thực hiện bất cứ công việc nào.

Lắp đặt trực

1. Vận chặt trực vào trụ giữ trực cho đến khi đai ốc lục giác tiếp xúc với trụ giữ trực.

► **Hình4:** 1. Đai ốc lục giác 2. Trực 3. Trụ giữ trực

2. Giữ chặt phần rãnh khóa trên trụ giữ trực bằng chìa vận số 19 để nó không thể xoay được. Trong lúc đang giữ rãnh khớp, vận chặt đai ốc lục giác bằng chìa vận số 19 khác theo hướng mũi tên.

► **Hình5:** 1. Chìa vận số 19 2. Rãnh khóa 3. Chìa vận số 19

Lắp lưỡi trộn

► **Hình6:** 1. Lưỡi trộn

► **Hình7:** 1. Bu lông lục giác 2. Trực 3. Mặt phẳng

Lắp lưỡi trộn lên trực và cố định lưỡi trộn bằng bu-lông lục giác.

Lúc này, đặt nó sao cho đầu trên của bu-lông lục giác luôn vừa khớp với mặt phẳng trên trực và vận chặt bu-lông lục giác bằng cờ lê đi kèm.

Khi lắp lưỡi trộn ở hai vị trí khác nhau (chỉ có thể áp dụng cho lưỡi trộn được phép làm như vậy), hãy gắn và cố định hai lưỡi trộn trên phần phẳng của trục bằng bu-lông lục giác sao cho bề mặt của lưỡi cắt giống nhau sẽ nằm đối mặt với nhau như thể hiện trong hình.

► **Hình8:** 1. Lưỡi trộn 2. Trục

► **Hình9:** 1. Bu lông lục giác 2. Trục 3. Mặt phẳng

VẬN HÀNH

• **Không trộn vật liệu để bắt lửa hoặc vận hành dụng cụ quanh vật liệu dễ bắt lửa như sơn có dung môi dạng dung dịch.** Không làm như vậy có thể gây ra thương tích.

1. Giữ tay cầm phía sau của dụng cụ bằng một tay và nắm tay cầm còn lại thật chắc, đặt lưỡi trộn hoàn toàn bên dưới vật liệu và bật dụng cụ lên sau khi đảm bảo rằng khu vực làm việc đã an toàn.
2. Di chuyển lưỡi trộn lên và xuống trong lúc thao tác trộn sao cho toàn bộ vật liệu đều có thể được trộn đều.
3. Khi trộn xong, hãy tắt dụng cụ và đảm bảo rằng lưỡi trộn đã dừng hoàn toàn, sau đó kéo lưỡi trộn ra khỏi hộp trộn.

BẢO TRÌ

⚠ THẬN TRỌNG: Luôn bảo đảm rằng dụng cụ được tắt điện và rút phích cắm trước khi thử thực hiện việc kiểm tra hoặc bảo trì.

CHÚ Ý: Không được phép dùng xăng, ét xăng, dung môi, cồn hoặc hóa chất tương tự. Có thể xảy ra hiện tượng mất màu, biến dạng hoặc nứt vỡ.

Thay thế bộ lọc

► **Hình10:** 1. Bộ lọc 2. Nắp che 3. Máy vận vít cầm tay hoạt động bằng động cơ điện

Thay thế bộ lọc thường xuyên khi hiệu quả làm mát của dụng cụ bị giảm sút do bụi hoặc hạt tích tụ trong bộ lọc.

Đưa tuốc-nơ-vít có đầu rãnh tiết diện nhỏ và loại tương tự vào giữa dụng cụ và nắp che như thể hiện trong hình. Nhấc nó lên giống như dùng xéng và tháo nắp che ra.

Thay thế bộ lọc trong nắp che bằng cái mới.

Lắp lại nắp che vào dụng cụ.

Thay chổi than

► Hình11: 1. Vạch giới hạn

Kiểm tra chổi than thường xuyên.

Thay chổi than khi chúng bị mòn dưới vạch giới hạn.

Giữ các chổi than sạch và có thể trượt dễ dàng vào chỗ giữ chổi. Cả hai chổi than phải được thay thế cùng một lúc. Chỉ sử dụng các chổi than giống nhau.

1. Sử dụng tua vít để tháo nắp giá đỡ chổi than.
2. Tháo chổi than đã mòn ra, lắp chổi than mới và cố định nắp giữ chổi than.

► Hình12: 1. Nắp giữ chổi

Để đảm bảo ĐỘ AN TOÀN và ĐỘ TIN CẬY của sản phẩm, việc sửa chữa hoặc bất cứ thao tác bảo trì, điều chỉnh nào đều phải được thực hiện bởi các Trung tâm Dịch vụ Nhà máy hoặc Trung tâm được Makita Ủy quyền và luôn sử dụng các phụ tùng thiết bị thay thế của Makita.

PHỤ KIỆN TỰ CHỌN

⚠ THẬN TRỌNG: Các phụ kiện hoặc phụ tùng gắn thêm này được khuyến cáo sử dụng với dụng cụ Makita của bạn theo như quy định trong hướng dẫn này. Việc sử dụng bất cứ phụ kiện hoặc phụ tùng gắn thêm nào khác đều có thể gây ra rủi ro thương tích cho người. Chỉ sử dụng phụ kiện hoặc phụ tùng gắn thêm cho mục đích đã quy định sẵn của chúng.

Nếu bạn cần bất kỳ sự hỗ trợ nào để biết thêm chi tiết về các phụ tùng này, hãy hỏi Trung tâm Dịch vụ của Makita tại địa phương của bạn.

- Lưới trộn

Loại	Đường kính tối đa	Lưới dao kép có thể
Lưới trộn 175	175 mm	Có thể
Lưới trộn 190	190 mm	Có thể
Lưới trộn 220	220 mm	-
Lưới trộn 135	135 mm	-
Lưới trộn 183	183 mm	Có thể
Lưới trộn 201	201 mm	Có thể

- Trục

LƯU Ý: Một số mục trong danh sách có thể được bao gồm trong gói dụng cụ làm phụ kiện tiêu chuẩn. Các mục này ở mỗi quốc gia có thể khác nhau.




ข้อมูลจำเพาะ

รุ่น:	UT2204
ความเร็วหมุนเปล่า	550 min ⁻¹
เส้นผ่านศูนย์กลางใบตีผสมสูงสุด	220 mm
ความยาวโดยรวม	929 mm
น้ำหนักสุทธิ	2.7 kg
มาตรฐานความปลอดภัย	Ⓜ/II

- เนื่องจากการค้นคว้าวิจัยและพัฒนาอย่างต่อเนื่อง ข้อมูลจำเพาะในเอกสารฉบับนี้อาจเปลี่ยนแปลงได้โดยไม่ต้องแจ้งให้ทราบล่วงหน้า
- ข้อมูลจำเพาะอาจแตกต่างกันไปในแต่ละประเทศ
- น้ำหนักตามข้อบังคับของ EPTA 01/2014

สัญลักษณ์

ต่อไปนี้เป็นสัญลักษณ์ที่อาจใช้สำหรับอุปกรณ์ โปรดศึกษาความหมายของสัญลักษณ์ให้เข้าใจก่อนการใช้งาน

-  อ่านคู่มือการใช้งาน
-  ฉนวนสองชั้น
-  สำหรับประเทศในสหภาพยุโรปเท่านั้น เนื่องจากในอุปกรณ์มีส่วนประกอบอันตราย อุปกรณ์ไฟฟ้าและอิเล็กทรอนิกส์ที่ใช้แล้วจึงอาจส่งผลกระทบต่อสิ่งแวดล้อมและสุขภาพของมนุษย์ในเชิงลบ
อย่าทิ้งเครื่องใช้ไฟฟ้าและอิเล็กทรอนิกส์รวมกับวัสดุเหลือทิ้งในครัวเรือน! เพื่อให้เป็นไปตามกฎระเบียบของยุโรปว่าด้วยขยะจำพวกอุปกรณ์ไฟฟ้าและอิเล็กทรอนิกส์ รวมถึงการบังคับใช้ตามกฎหมายภายในประเทศ ควรมีการจัดเก็บอุปกรณ์ไฟฟ้าและอิเล็กทรอนิกส์ที่ใช้แล้วแยกต่างหากและส่งไปยังจุดรับขยะต่างหากในเขตเทศบาลซึ่งมีการดำเนินการตามระเบียบว่าด้วยการดูแลสิ่งแวดล้อม โดยระบุด้วยสัญลักษณ์เส้นคาดขวางรูปถังขยะแบบมีล้อไว้บนอุปกรณ์

จุดประสงค์การใช้งาน

เครื่องมือนี้ใช้สำหรับผสมวัสดุก่อผนัง ชลช (ยกเว้นวัสดุไวไฟ)

แหล่งจ่ายไฟ

ควรเชื่อมต่อเครื่องมือกับแหล่งจ่ายไฟที่มีแรงดันไฟฟ้าตามที่ระบุไว้ในป้ายข้อมูลของเครื่องมือ และจะต้องใช้ไฟฟ้ากระแสสลับแบบเฟสเดียวเท่านั้น อุปกรณ์นี้ได้รับการหุ้มฉนวนสองชั้นและสามารถใช้กับปลั๊กไฟที่ไม่มีสายดินได้

คำเตือนด้านความปลอดภัย

คำเตือนด้านความปลอดภัยของเครื่องมือไฟฟ้าทั่วไป

⚠ คำเตือน: โปรดอ่านคำเตือนด้านความปลอดภัย คำแนะนำ ภาพประกอบ และข้อมูลจำเพาะต่างๆ ที่ให้มา กับเครื่องมือไฟฟ้านี้อย่างละเอียด การไม่ปฏิบัติตามคำแนะนำดังต่อไปนี้ อาจส่งผลให้เกิดไฟฟ้าช็อต ไฟไหม้ และ/หรือได้รับบาดเจ็บอย่างร้ายแรงได้

เก็บรักษาคำเตือนและคำแนะนำทั้งหมดไว้

เป็นข้อมูลอ้างอิงในอนาคต

คำว่า “เครื่องมือไฟฟ้า” ในคำเตือนนี้หมายถึงเครื่องมือไฟฟ้า (มีสาย) ที่ทำงานโดยใช้กระแสไฟฟ้าหรือเครื่องมือไฟฟ้า (ไร้สาย) ที่ทำงานโดยใช้แบตเตอรี่

ความปลอดภัยของพื้นที่ทำงาน

1. ดูแลพื้นที่ทำงานให้มีความสะอาดและมีแสงไฟสว่าง พื้นที่กระเบื้องกระเบื้องหรือมีดที่บอบบางนำไปสู่การเกิดอุบัติเหตุได้
2. อย่าใช้งานเครื่องมือไฟฟ้าในสภาพที่อาจเกิดการระเบิด เช่น ในสถานที่ที่มีของเหลว ก๊าซ หรือฝุ่นผงที่มีคุณสมบัติไวไฟ เครื่องมือไฟฟ้าอาจสร้างประกายไฟและจุดชนวนฝุ่นผงหรือก๊าซดังกล่าว
3. ดูแลไม่ให้มีเด็กหรือบุคคลอื่นอยู่ในบริเวณที่กำลังใช้เครื่องมือไฟฟ้า การมีสิ่งรบกวนสมาธิอาจทำให้คุณสูญเสียการควบคุม

ความปลอดภัยด้านไฟฟ้า

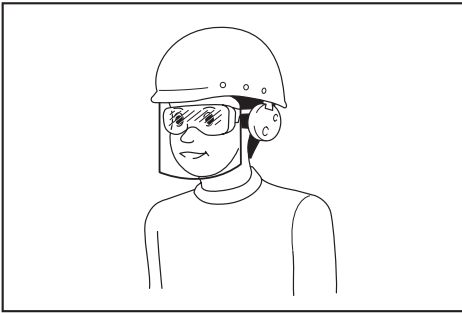
1. ปลั๊กของเครื่องมือไฟฟ้าต้องพอดีกับเต้ารับ อย่าดัดแปลงปลั๊กไม่อย่างกรณีใดๆ อย่าใช้ปลั๊กอะแดปเตอร์กับเครื่องมือไฟฟ้าที่ต่อสายดิน ปลั๊กที่ไม่ถูกดัดแปลงและเต้ารับที่เข้ากันพอดีจะช่วยลดความเสี่ยงของการเกิดไฟฟ้าช็อต
2. ระวังอย่าให้ร่างกายสัมผัสกับพื้นผิวที่ต่อสายดิน เช่น ท่อ เครื่องนำความร้อน เตาहुงต้ม และตู้เย็น มีความเสี่ยงที่จะเกิดไฟฟ้าช็อตสูงขึ้น หากร่างกายของคุณสัมผัสกับพื้น
3. อย่าให้เครื่องมือไฟฟ้าถูกน้ำหรืออยู่ในสภาพเปียกชื้น น้ำที่ไหลเข้าไปในเครื่องมือไฟฟ้าจะเพิ่มความเสี่ยงของการเกิดไฟฟ้าช็อต
4. อย่าใช้สายไฟอย่างไม่เหมาะสม อย่าใช้สายไฟเพื่อยก ดึง หรือถอดปลั๊กเครื่องมือไฟฟ้า เก็บสายไฟให้ห่างจากความร้อน น้ำมัน ของมีคม หรือชิ้นส่วนที่เคลื่อนที่ สายที่ชำรุดหรือพันกันจะเพิ่มความเสี่ยงของการเกิดไฟฟ้าช็อต
5. ขณะที่ใช้งานเครื่องมือไฟฟ้ากลางแจ้ง ควรใช้สายต่อพ่วงที่เหมาะสมกับงานกลางแจ้ง การใช้สายที่เหมาะสมกับงานกลางแจ้งจะลดความเสี่ยงของการเกิดไฟฟ้าช็อต
6. หากต้องใช้งานเครื่องมือไฟฟ้าในสถานที่เปียกชื้น ให้ใช้อุปกรณ์ป้องกันกระแสไฟรั่ว (RCD) การใช้ RCD จะลดความเสี่ยงของการเกิดไฟฟ้าช็อต
7. แนะนำให้ใช้แหล่งจ่ายไฟผ่าน RCD ที่มีกระแสไฟรั่วในอัตราไม่เกิน 30 mA เสมอ

8. เครื่องมือไฟฟ้าอาจสร้างสนามแม่เหล็ก (EMF) ที่ไม่เป็นอันตรายต่อผู้ใช้ อย่างไรก็ตาม ผู้ใช้ที่ใส่เครื่องกระตุ้นหัวใจและอุปกรณ์ทางการแพทย์ที่คล้ายกันนี้ควรติดต่อผู้ผลิตอุปกรณ์และ/หรือแพทย์เพื่อรับคำแนะนำก่อนใช้งานเครื่องมือไฟฟ้านี้
9. อย่าจับปลั๊กไฟด้วยมือที่เปียก
10. หากสายไฟชำรุด โปรดให้ผู้ผลิตหรือตัวแทนของผู้ผลิตเปลี่ยนให้ เพื่อหลีกเลี่ยงอันตราย

ความปลอดภัยส่วนบุคคล

1. ให้ระมัดระวังและมีสติอยู่เสมอขณะใช้งานเครื่องมือไฟฟ้า อย่าใช้งานเครื่องมือไฟฟ้าในขณะที่คุณกำลังเหนื่อย หรือในสภาพที่มึนเมาจากยาเสพติด เครื่องดื่ม แอลกอฮอล์ หรือการหายใจ ชั่วขณะที่ขาดความระมัดระวังเมื่อกำลังใช้งานเครื่องมือไฟฟ้าอาจทำให้ได้รับบาดเจ็บร้ายแรง
2. ใช้อุปกรณ์ป้องกันส่วนบุคคล สวมแว่นตาป้องกันเสมอ อุปกรณ์ป้องกัน เช่น หน้ากากกันฝุ่น รองเท้านิรภัยกันสั่น หมวกนิรภัย หรือเครื่องป้องกันการได้ยินที่ใช้ในสภาพที่เหมาะสมจะช่วยลดการบาดเจ็บ
3. ป้องกันไม่ให้เกิดการเปิดใช้งานโดยไม่ตั้งใจ ตรวจสอบให้แน่ใจว่าสวิตช์ปิดอยู่ก่อนที่จะเชื่อมต่อกับแหล่งจ่ายไฟ และ/หรือชุดแบตเตอรี่ รวมทั้งตรวจสอบก่อนการยกหรือเคลื่อนย้ายเครื่องมือ การสอดนิ้วมือบริเวณสวิตช์เพื่อถือเครื่องมือไฟฟ้า หรือการชาร์จไฟเครื่องมือไฟฟ้าในขณะที่เปิดสวิตช์อยู่อาจนำไปสู่การเกิดอุบัติเหตุ
4. นำกฎแบริบตั้งหรือประจำออกก่อนที่จะเปิดเครื่องมือไฟฟ้า ประจำหรือกฎแบริบที่เสียบค้างอยู่ในชิ้นส่วนที่หมุนได้ของเครื่องมือไฟฟ้าอาจทำให้ได้รับบาดเจ็บ
5. อย่าทำงานในระยะที่สูดเอื้อม จัดทำการยึนและการทรงตัวให้เหมาะสมตลอดเวลา เพราะจะทำให้ควบคุมเครื่องมือไฟฟ้าได้ดีขึ้นในสถานการณ์ที่ไม่คาดคิด
6. แต่งกายให้เหมาะสม อย่าสวมเครื่องแต่งกายที่หลวมเกินไป หรือสวมเครื่องประดับ ดูแลไม่ให้เส้นผมและเสื้อผ้าอยู่ใกล้ชิ้นส่วนที่เคลื่อนที่ เสื้อผ้า ร่ม ร่ม เครื่องประดับ หรือผมที่มีความยาวอาจเข้าไปติดในชิ้นส่วนที่เคลื่อนที่
7. หากมีการจัดอุปกรณ์สำหรับดูดและจัดเก็บฝุ่นไว้ในสถานที่ ให้ตรวจสอบว่าได้เชื่อมต่อและใช้งานอุปกรณ์นั้นอย่างเหมาะสม การใช้เครื่องดูดและจัดเก็บฝุ่นจะช่วยลดอันตรายที่เกิดจากฝุ่นผงได้

- อย่าให้ความคุ้นเคยจากการใช้งานเครื่องมือเป็นประจำทำให้คุณทำตามตัวตามสบายและละเลยหลักการเพื่อความปลอดภัยในการใช้เครื่องมือ การกระทำที่ไม่ระมัดระวังอาจทำให้เกิดการบาดเจ็บร้ายแรงภายในเสี้ยววินาที
- สวมใส่แว่นครอบตานิรภัยเพื่อปกป้องดวงตาของคุณจากการบาดเจ็บเมื่อใช้เครื่องมือไฟฟ้า แว่นครอบตาจะต้องได้มาตรฐาน ANSI Z87.1 ในสหรัฐอเมริกา, EN 166 ในยุโรป หรือ AS/NZS 1336 ในออสเตรเลีย/นิวซีแลนด์ ในออสเตรเลีย/นิวซีแลนด์ จะต้องสวมเกราะป้องกันใบหน้าเพื่อปกป้องใบหน้าของคุณอย่างถูกต้องตามกฎหมายด้วย



ผู้ว่าจ้างมีหน้าที่รับผิดชอบในการบังคับผู้ใช้งานเครื่องมือและบุคคลอื่นๆ ที่อยู่ในบริเวณที่ปฏิบัติงานให้ใช้อุปกรณ์ป้องกันที่เหมาะสม

การใช้และดูแลเครื่องมือไฟฟ้า

- อย่าเดินใช้เครื่องมือไฟฟ้า ใช้เครื่องมือไฟฟ้าที่เหมาะสมกับการใช้งานของคุณ เครื่องมือไฟฟ้าที่เหมาะสมจะทำให้ได้งานที่มีประสิทธิภาพและปลอดภัยกว่าตามขีดความสามารถของเครื่องที่ได้รับการออกแบบมา
- อย่าใช้เครื่องมือไฟฟ้า หากสวิตช์ไม่สามารถเปิดปิดได้ เครื่องมือไฟฟ้าที่ควบคุมด้วยสวิตช์ไม่ได้เป็นสิ่งอันตรายและต้องได้รับการซ่อมแซม
- ถอดปลั๊กจากแหล่งจ่ายไฟ และ/หรือชุดแบตเตอรี่ออกจากเครื่องมือไฟฟ้าก่อนทำการปรับตั้ง เปลี่ยนอุปกรณ์เสริม หรือจัดเก็บเครื่องมือไฟฟ้า วิธีการป้องกันด้านความปลอดภัยดังกล่าวจะช่วยลดความเสี่ยงในการเปิดใช้งานเครื่องมือไฟฟ้าโดยไม่ได้ตั้งใจ
- จัดเก็บเครื่องมือไฟฟ้าที่ไม่ได้ใช้งานให้ห่างจากมือเด็ก และอย่าอนุญาตให้บุคคลที่ไม่คุ้นเคยกับเครื่องมือไฟฟ้าหรือคำแนะนำเหล่านี้ใช้งานเครื่องมือไฟฟ้า เครื่องมือไฟฟ้าจะเป็นอันตรายเมื่ออยู่ในมือของผู้ที่ไม่ได้รับการฝึกอบรม

- บำรุงรักษาเครื่องมือไฟฟ้าและอุปกรณ์เสริม ตรวจสอบการประกอบที่ไม่ถูกต้องหรือการเชื่อมต่อของชิ้นส่วนที่เคลื่อนที่ การแตกหักของชิ้นส่วน หรือสภาพอื่นๆ ที่อาจส่งผลกระทบต่อการทำงานของเครื่องมือไฟฟ้า หากมีความเสียหาย ให้นำเครื่องมือไฟฟ้าไปซ่อมแซมก่อนการใช้งาน อุบัติเหตุจำนวนมากเกิดจากการดูแลรักษาเครื่องมือไฟฟ้าอย่างไม่ถูกต้อง
- ทำความสะอาดเครื่องมือตัดและลับให้คมอยู่เสมอ เครื่องมือการตัดที่มีการดูแลอย่างถูกต้องและมีขอบการตัดคมมักจะมีปัญหาติดขัดน้อยและควบคุมได้ง่ายกว่า
- ใช้เครื่องมือไฟฟ้า อุปกรณ์เสริม และวัสดุสิ้นเปลือง ฯลฯ ตามคำแนะนำดังกล่าว พิจารณาสภาพการทำงานและงานที่จะลงมือทำ การใช้เครื่องมือไฟฟ้าเพื่อทำงานอื่นนอกเหนือจากที่กำหนดไว้อาจทำให้เกิดอันตราย
- ดูแลมือจับและบริเวณมือจับให้แห้ง สะอาด และไม่มีน้ำมันและจาระบีเปื้อน มือจับและบริเวณมือจับที่ลื่นจะทำให้ไม่สามารถจับและควบคุมเครื่องมือได้อย่างปลอดภัยในสถานการณ์ที่ไม่คาดคิด
- ขณะใช้งานเครื่องมือ อย่างสวมใส่ถุงมือผ้าที่อาจเข้าไปติดในเครื่องมือได้ หากถุงมือผ้าเข้าไปติดในชิ้นส่วนที่กำลังเคลื่อนที่ที่อยู่อาจทำให้ได้รับบาดเจ็บ

การซ่อมบำรุง

- นำเครื่องมือไฟฟ้าเข้ารับบริการจากช่างซ่อมที่ผ่านการรับรองโดยใช้อะไหล่แบบเดียวกันเท่านั้น เพราะจะทำให้การใช้เครื่องมือไฟฟ้ามีความปลอดภัย
- ปฏิบัติตามคำแนะนำในการหล่อลื่นและการเปลี่ยนอุปกรณ์เสริม

คำเตือนด้านความปลอดภัยของเครื่องตีผสม

- จับเครื่องมือด้วยมือทั้งสองข้างที่มือจับที่กำหนด การสูญเสียการควบคุมอาจทำให้ได้รับบาดเจ็บได้
- ตรวจสอบว่ามีกระแสลมพัดอย่างเพียงพอเมื่อทำการผสมวัสดุไวไฟเพื่อหลีกเลี่ยงสภาพแวดล้อมที่เป็นอันตราย คุณอาจสูดเอาควันเข้าไป หรืออาจเกิดการลุกไหม้จากประกายไฟที่เกิดจากเครื่องมือไฟฟ้า
- อย่าใช้ผสมอาหาร เครื่องมือไฟฟ้าและอุปกรณ์เสริมนี้ไม่ได้ออกแบบมาเพื่อการแปรรูปอาหาร
- ดูแลสายไฟให้ห่างจากพื้นที่ปฏิบัติงาน สายไฟอาจเข้าไปพันกับใบมีดของเครื่องตีผสมได้

5. ตรวจสอบให้แน่ใจว่าภาษาผสมถูกวางไว้ในตำแหน่งที่แน่นอนและมั่นคง ภาษาที่ไม่ถูกยึดอย่างเหมาะสมอาจเคลื่อนที่โดยไม่ได้ตั้งใจ
6. ตรวจสอบให้แน่ใจว่าไม่มีของเหลวกระเด็นโดนส่วนโครงของเครื่องมือไฟฟ้า ของเหลวที่เข้าไปในเครื่องมือไฟฟ้าอาจทำให้เกิดความเสียหายและนำไปสู่การเกิดไฟฟ้าช็อตได้
7. ปฏิบัติตามคำแนะนำและคำเตือนสำหรับวัสดุที่จะผสม วัสดุที่จะผสมอาจเป็นอันตรายได้
8. หากเครื่องมือไฟฟ้าตกลงไปในวัสดุที่จะผสม ให้ถอดปลั๊กเครื่องมือทันที และนำเครื่องมือไฟฟ้าไปให้ช่างซ่อมที่เชี่ยวชาญตรวจสอบ การเอื้อมมือเข้าไปในถัง โดยที่เครื่องมือยังเสียบปลั๊กอยู่อาจนำไปสู่การเกิดไฟฟ้าช็อตได้
9. อย่าเอื้อมมือเข้าไปในภาษาผสมหรือใส่วัตถุใดๆ ลงไปในภาษาผสมระหว่างการผสม การสัมผัสกับใบตีผสมอาจทำให้ได้รับบาดเจ็บสาหัสได้
10. เปิดและปิดเครื่องมือในภาษาผสมเท่านั้น ใบตีผสมอาจอหรือหมุนในลักษณะที่ไม่สามารถควบคุมได้
11. ตรวจสอบให้แน่ใจว่าไม่มีของเหลวกระเด็นโดนส่วนโครงของเครื่องมือไฟฟ้า ของเหลวที่เข้าไปในเครื่องมือไฟฟ้าอาจทำให้เครื่องมือเสียหายได้
12. ใช้มือจับเสริม หากมีมาให้พร้อมกับเครื่องมือ การสูญเสียการควบคุมอาจทำให้ได้รับบาดเจ็บได้
13. จับเครื่องมือไฟฟ้าที่พื้นผิวมีข้อห้ามจนวนขณะใช้งาน เนื่องจากอุปกรณ์ตัดอาจสัมผัสกับสายไฟที่ซ่อนอยู่หรือสายไฟของเครื่องมือเอง อุปกรณ์ตัดที่สัมผัสกับสายไฟที่ “มีกระแสไฟฟ้าไหลผ่าน” อาจทำให้ชิ้นส่วนโลหะของเครื่องมือไฟฟ้า “มีกระแสไฟฟ้าไหลผ่าน” และทำให้ผู้ใช้งานถูกไฟฟ้าช็อตได้
14. ตรวจสอบให้แน่ใจว่าคุณยืนอย่างมั่นคงแล้ว หากใช้งานเครื่องมือในพื้นที่สูง ระวังอย่าให้มีคนอยู่ด้านล่าง
15. จับเครื่องมือให้แน่น
16. ระวังอย่าให้มือสัมผัสกับชิ้นส่วนที่หมุนได้
17. อย่าปล่อยให้เครื่องมือทำงานค้างไว้ ใช้งานเครื่องมือเฉพาะเมื่อคุณถืออยู่เท่านั้น
18. วัสดุบางชนิดประกอบด้วยสารเคมีที่อาจเป็นพิษ ระวังอย่าสูดดมฝุ่นหรือสัมผัสกับผิวหนัง ปฏิบัติตามคำเตือนด้านความปลอดภัยของซัพพลายเออร์วัสดุ
19. เมื่อทำการผสม ให้วางภาษาผสมบนพื้นผิวที่ราบเรียบและมั่นคง

ปฏิบัติตามคำแนะนำเหล่านี้

คำเตือน: อย่าให้ความไม่ระมัดระวังหรือความคุ้นเคยกับผลิตภัณฑ์ (จากการใช้งานซ้ำหลายครั้ง) อยู่เหนือการปฏิบัติตามกฎเกณฑ์ด้านความปลอดภัยในการใช้งาน ผลิตภัณฑ์อย่างเคร่งครัด การใช้งานอย่างไม่เหมาะสมหรือการไม่ปฏิบัติตามกฎเกณฑ์ด้านความปลอดภัยในคู่มือการใช้งานนี้อาจทำให้ได้รับบาดเจ็บร้ายแรง

คำอธิบายการทำงาน

ข้อควรระวัง: ตรวจสอบให้แน่ใจว่าได้ปิดสวิตช์เครื่องมือและถอดปลั๊กออกก่อนปรับตั้งหรือตรวจสอบการทำงานของเครื่องมือ

การทำงานของสวิตช์

ข้อควรระวัง: ก่อนเสียบปลั๊กเครื่องมือ ให้ตรวจสอบว่าสวิตช์สั่งงานสามารถทำงานได้อย่างถูกต้อง และกลับไปยังตำแหน่ง “OFF” เมื่อปล่อย

สำหรับประเทศในยุโรป

▶ หมายเลข 1: 1. สวิตช์สั่งงาน

เมื่อต้องการเปิดใช้เครื่องมือ ให้ดึงสวิตช์สั่งงาน ปล่อยสวิตช์สั่งงานเพื่อหยุดทำงาน

สำหรับประเทศนอกยุโรป

▶ หมายเลข 2: 1. ปุ่มปลดล๊อค 2. สวิตช์สั่งงาน

เมื่อต้องการเปิดใช้เครื่องมือ ให้ดึงสวิตช์สั่งงาน ปล่อยสวิตช์สั่งงานเพื่อหยุดทำงาน

ถ้าต้องการใช้งานอย่างต่อเนื่อง ดึงสวิตช์สั่งงานและกดปุ่มล๊อค

ถ้าต้องการเลิกใช้งานเครื่องมือในตำแหน่งล๊อค ให้ดึงสวิตช์สั่งงานจนสุด จากนั้นปล่อยสวิตช์

ไฟแสดงสถานะ

▶ หมายเลข 3: 1. ไฟแสดงสถานะ

ไฟแสดงสถานะเปิดเครื่องสีเขียวจะสว่างขึ้นเมื่อเสียบปลั๊กเครื่องมือเข้ากับแหล่งจ่ายไฟ ในกรณีที่ไฟแสดงสถานะติดแต่เครื่องมือไม่เริ่มทำงานแม้จะเปิดสวิตช์แล้วก็ตามแสดงว่าแปรงคาร์บอนอาจจะเสื่อมสภาพ หรือมอเตอร์ หรือสวิตช์เปิด/ปิดอาจเสีย ถ้าไฟแสดงสถานะไม่สว่างขึ้น แสดงว่าสายไฟหลักหรือไฟแสดงสถานะอาจเสีย เมื่อสายไฟหลักเสีย เครื่องมือจะไม่ทำงานและไฟแสดงสถานะจะไม่ติด เมื่อไฟแสดงสถานะเสีย เครื่องมือจะทำงานแต่ไฟแสดงสถานะจะไม่ติด

การประกอบ

⚠️ ข้อควรระวัง: ตรวจสอบให้แน่ใจว่าได้ปิดสวิตช์เครื่องมือและถอดปลั๊กออกก่อนดำเนินการใดๆ กับเครื่องมือ

การติดตั้งเพลลา

1. ขันเพลลาเข้ากับที่ยึดเพลลาให้แน่นจนกระทั่งน็อตหกเหลี่ยมสัมผัสกับที่ยึดเพลลา
▶ **หมายเลข 4:** 1. น็อตหกเหลี่ยม 2. เพลลา 3. ที่ยึดเพลลา
2. ใช้ประแจ 19 จับที่ร่องบากของที่ยึดก้านเพื่อให้ก้านไม่ขยับ ขณะที่จับที่ร่องบากอยู่นั้น ให้ใช้ประแจ 19 อีกอันจับน็อตหกเหลี่ยมตามทิศทางลูกศรให้แน่น
▶ **หมายเลข 5:** 1. ประแจ 19 2. ร่องบาก 3. ประแจ 19

การติดตั้งใบตีผสม

- ▶ **หมายเลข 6:** 1. ใบตีผสม
- ▶ **หมายเลข 7:** 1. สลักเกลียวหกเหลี่ยม 2. เพลลา 3. ฟันผิวส่วนเรียบ

ใส่ใบตีผสมเข้ากับก้านแล้วยึดด้วยสลักเกลียวหกเหลี่ยม จัดตำแหน่งให้ด้านบนของสลักเกลียวหกเหลี่ยมพอดีกับฟันผิวส่วนเรียบของก้านแล้วใช้ประแจที่ให้มาด้วยขันสลักเกลียวหกเหลี่ยมให้แน่น
เมื่อติดตั้งใบตีผสมทั้งสองตำแหน่ง (ซึ่งจะสามารถกระทำได้หากลักษณะของใบตีผสมนั้นสามารถกระทำได้นั้น) ให้ติดตั้งใบตีผสมที่ฟันผิวส่วนเรียบของก้านด้วยสลักเกลียวหกเหลี่ยมเพื่อด้านเดียวกันของใบตีผสมแต่ละใบหันหน้าชนกัน ตามรูป

- ▶ **หมายเลข 8:** 1. ใบตีผสม 2. เพลลา
- ▶ **หมายเลข 9:** 1. สลักเกลียวหกเหลี่ยม 2. เพลลา 3. ฟันผิวส่วนเรียบ

การใช้งาน

• อย่าผสมวัสดุไวไฟหรือใช้งานเครื่องมือมือใกล้กับวัสดุไวไฟ เช่น สีที่ใช้ทินเนอร์เป็นตัวทำละลาย ไม่เช่นนั้นอาจทำให้ได้รับบาดเจ็บได้

1. ใช้มือข้างหนึ่งจับมือจับด้านหลังของเครื่องมือและใช้มืออีกข้างหนึ่งจับตามจับด้านข้างให้แน่น จุ่มใบตีผสมเข้าไปในตัววัสดุที่จะผสมจนมิดแล้วเปิดเครื่องมือหลังจากตรวจสอบความปลอดภัยของสถานที่ทำงานแล้ว
2. เลื่อนใบตีผสมขึ้นลงในระหว่างการผสมเพื่อให้สามารถผสมวัสดุได้เข้ากันทั้งหมด
3. เมื่อเสร็จสิ้นการผสม ปิดเครื่องมือ ตรวจสอบให้แน่ใจว่าใบตีผสมหยุดสนิทแล้ว จากนั้นดึงใบตีผสมออกจากภาชนะผสม

การบำรุงรักษา

⚠️ ข้อควรระวัง: ตรวจสอบให้แน่ใจว่าได้ปิดสวิตช์เครื่องมือและถอดปลั๊กออกก่อนทำการตรวจสอบหรือบำรุงรักษา

ข้อสังเกต: อย่าใช้น้ำมันเชื้อเพลิง เบนซิน ทินเนอร์ แอลกอฮอล์ หรือวัสดุประเภทเดียวกัน เนื่องจากอาจทำให้สีซีดจาง เสียรูป หรือแตกร้าวได้

การเปลี่ยนตัวกรอง

- ▶ **หมายเลข 10:** 1. ตัวกรอง 2. ฝาปิด 3. ไขควง
- เปลี่ยนตัวกรองเป็นประจำเนื่องจากประสิทธิภาพในการระบายอากาศของเครื่องมือจะลดลงจากฝุ่นหรือเศษต่างๆ สะสมในตัวกรอง
สอดดอกไขควงปากแบนหรืออุปกรณ์อื่นๆ เข้าไปในช่องระหว่างเครื่องมือและฝาปิดตามที่แสดงในภาพ ใช้ไขควงจัดฝาปิดขึ้นมา
เปลี่ยนตัวกรองที่อยู่ในฝาปิดใหม่
ใส่ฝาปิดกลับเข้าไปในเครื่องมือให้เหมือนเดิม

การเปลี่ยนแปลงคาร์บอน

▶ **หมายเลข 11:** 1. ซีตจำกัด

ตรวจสอบแปรงคาร์บอนเป็นประจำ
เปลี่ยนแปรงคาร์บอนเมื่อสึกหรอจนถึงซีตจำกัด รักษาแปรงคาร์บอนให้สะอาด และอย่าให้แปรงคาร์บอนหลุดเข้าไปในที่ยึด ควรเปลี่ยนแปรงคาร์บอนทั้งสองแปรงพร้อมกัน ใช้แปรงคาร์บอนแบบเดียวกันเท่านั้น

1. ใช้ไขควงเพื่อถอดฝาปิดที่ยึดแปรงออก
2. นำแปรงคาร์บอนที่สึกหรอออกมา ใส่แปรงคาร์บอนใหม่เข้าไป และปิดฝาปิดที่ยึดแปรงให้แน่น

▶ **หมายเลข 12:** 1. ฝาปิดที่ยึดแปรง

เพื่อความปลอดภัยและนำเชื้อถือของผลิตภัณฑ์ ควรให้ศูนย์บริการหรือโรงงานที่ผ่านการรับรองจาก Makita เป็นผู้ดำเนินการซ่อมแซม บำรุงรักษาและทำการปรับตั้งอื่นๆ นอกจากนี้ให้ใช้อะไหล่ของแท้จาก Makita เสมอ

อุปกรณ์เสริม

⚠ ข้อควรระวัง: ขอแนะนำให้ใช้เฉพาะอุปกรณ์เสริมหรืออุปกรณ์ต่อพ่วงเหล่านี้กับเครื่องมือ Makita ที่ระบุในคู่มือ การใช้อุปกรณ์เสริมหรืออุปกรณ์ต่อพ่วงอื่นๆ อาจมีความเสี่ยงที่จะได้รับบาดเจ็บ ใช้อุปกรณ์เสริมหรืออุปกรณ์ต่อพ่วงตามวัตถุประสงค์ที่ระบุไว้เท่านั้น

หากต้องการทราบรายละเอียดเพิ่มเติมเกี่ยวกับอุปกรณ์เสริมเหล่านี้ โปรดสอบถามศูนย์บริการ Makita ใกล้บ้านคุณ

- ไบต์ผสม

ประเภท	เส้นผ่านศูนย์กลางสูงสุด	ไบต์ที่สามารถใช้ได้
ไบต์ผสม 175	175 mm	ใช้ได้
ไบต์ผสม 190	190 mm	ใช้ได้
ไบต์ผสม 220	220 mm	-
ไบต์ผสม 135	135 mm	-
ไบต์ผสม 183	183 mm	ใช้ได้
ไบต์ผสม 201	201 mm	ใช้ได้

- เหล็ก

หมายเหตุ: อุปกรณ์บางรายการอาจจะรวมอยู่ในชุดเครื่องมือเป็นอุปกรณ์มาตรฐาน ซึ่งอาจแตกต่างกันไปในแต่ละประเทศ

Makita Corporation
3-11-8, Sumiyoshi-cho,
Anjo, Aichi 446-8502 Japan
www.makita.com

884659C376
EN, ZHCN, ID, MS,
VI, TH
20211006