

INSTRUCTION MANUAL
MANUEL D'INSTRUCTION
MANUAL DE INSTRUCCIONES

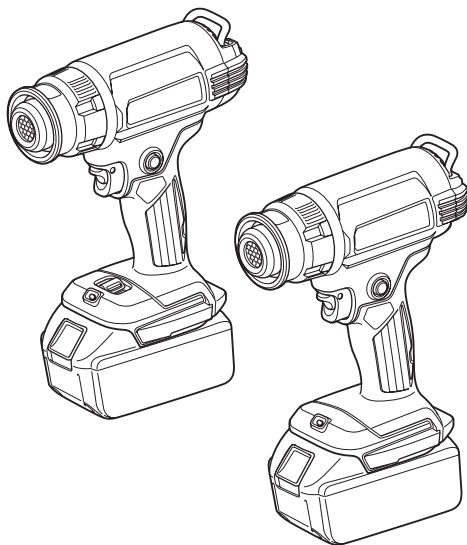


Cordless Heat Gun

Décapeur Thermique Sans Fil

Pistola de Calor Inalámbrica

DHG180
DHG181



IMPORTANT: Read Before Using.

IMPORTANT : Lire avant usage.

IMPORTANTE: Lea antes de usar.

SPECIFICATIONS

Model:	DHG180	DHG181
Rated voltage	D.C. 18 V	
Temperature	550 °C (1,022 °F)	Ambient temperature - 550 °C (1,022 °F)
Air volume	200 L/min (7.1 cu.ft./min)	1: 120 L/min (4.2 cu.ft./min) 2: 200 L/min (7.1 cu.ft./min)
Dimensions (L x W x H) with BL1860B	168 mm x 79 mm x 251 mm (6-5/8" x 3-1/8" x 9-7/8")	173 mm x 79 mm x 255 mm (6-13/16" x 3-1/8" x 10")
Net weight	1.0 - 1.3 kg (2.2 - 2.9 lbs)	1.0 - 1.4 kg (2.2 - 3.1 lbs)

- Due to our continuing program of research and development, the specifications herein are subject to change without notice.
- Specifications and battery cartridge may differ from country to country.
- The weight may differ depending on the attachment(s), including the battery cartridge. The lightest and heaviest combinations, according to EPTA-Procedure 01/2014, are shown in the table.

Applicable battery cartridge and charger






Battery cartridge	BL1815N / BL1820B / BL1830 / BL1830B / BL1840B / BL1850B / BL1860B
Charger	DC18RC / DC18RD / DC18RE / DC18SD / DC18SE / DC18SF / DC18SH

- Some of the battery cartridges and chargers listed above may not be available depending on your region of residence.

⚠WARNING: Only use the battery cartridges and chargers listed above. Use of any other battery cartridges and chargers may cause injury and/or fire.

Symbols

The followings show the symbols which may be used for the equipment. Be sure that you understand their meaning before use.

	Warning
	volts
	direct current
	Do not use in the rain or leave the heat gun outdoors while raining.
	Hot surfaces - Burns to fingers or hands.

Intended use

This cordless heat gun has been designed for various of heating applications such as heat shrinking of heat-shrinkable wrap or tubes, soldering or de-soldering electronic components, peeling-off self-adhesive tapes or stickers, loosen rusted nut or bolt, shaping plastic parts, drying, melting and unfreezing, etc.

IMPORTANT SAFETY INSTRUCTIONS

READ THESE INSTRUCTIONS

Hidden areas such as behind walls, ceilings, floors, soffit boards and other panels may contain flammable materials that could be ignited by the heat gun when working in these locations. The ignition of these materials may not be readily apparent and could result in property damage and injury to persons.

⚠WARNING: Extreme care should be taken when stripping paint. The peelings, residue and vapors of paint may contain lead, which is poisonous. Any pre-1977 paint may contain lead and paint applied to homes prior to 1950 is likely to contain lead. Once deposited on surfaces, hand to mouth contact can result in the ingestion of lead. Exposure to even low levels of lead can cause irreversible brain and nervous system damage; young and unborn children are particularly vulnerable.

Before beginning any paint removal process you should determine whether the paint you are removing contains lead. This can be done by your local health department or by a professional who uses a paint analyzer to check the lead content of the paint to be removed. LEAD-BASED PAINT SHOULD ONLY BE REMOVED BY A PROFESSIONAL AND SHOULD NOT BE REMOVED USING A HEAT GUN.

Persons removing paint should follow these guidelines:

1. **Move the work piece outdoors.** If this is not possible, keep the work area well ventilated. Open the windows and put an exhaust fan in one of them. Be sure the fan is moving the air from inside to outside.
2. **Remove or cover any carpets, rugs, furniture, clothing, cooking utensils and air ducts.**
3. **Place drop cloths in the work area to catch any paint chips or peelings.** Wear protective clothing such as extra work shirts, overalls and hats.
4. **Work in one room at a time.** Furnishings should be removed or placed in the center of the room and covered. Work areas should be sealed off from the rest of the dwelling by sealing doorways with drop cloths.
5. **Children, pregnant or potentially pregnant women and nursing mothers should not be present in the work area until the work is done and all clean up is complete.**
6. **Wear a dust respirator mask or a dual filter (dust and fume) respirator mask which has been approved by the Occupational Safety and Health Administration (OSHA), the National Institute of Safety and Health (NIOSH), or the United States Bureau of Mines.** These masks and replaceable filters are readily available at major hardware stores. Be sure the mask fits. Beards and facial hair may keep masks from sealing properly. Change filters often.

DISPOSABLE PAPER MASKS ARE NOT ADEQUATE.

7. **Use caution when operating the heat gun.** Keep the heat gun moving as excessive heat will generate fumes which can be inhaled by the operator.
8. **Keep food and drink out of the work area.** Wash hands, arms and face and rinse mouth before eating or drinking. Do not smoke or chew gum or tobacco in the work area.
9. **Clean up all removed paint and dust by wet mopping the floors.** Use a wet cloth to clean all walls, sills and any other surface where paint or dust is clinging. **DO NOT SWEEP, DRY DUST OR VACUUM.** Use a high phosphate detergent or trisodium phosphate (TSP) to wash and mop areas.
10. **At the end of each work session put the paint chips and debris in a double plastic bag, close it with tape or twist ties and dispose of properly.**
11. **Remove protective clothing and work shoes in the work area to avoid carrying dust into the rest of the dwelling.** Wash work clothes separately. Wipe shoes off with a wet rag that is then washed with the work clothes. Wash hair and body thoroughly with soap and water.

SAVE THESE INSTRUCTIONS

- **A battery shall be recharged only with the specified charger for the battery.** A charger that may be suitable for one type of battery may create a risk of fire when used with another battery.
- **Use battery operated heat gun only with specifically designed battery pack.** Use of any other batteries may create a risk of fire.

- **When battery pack is not in use, keep it away from other metal objects like: paper, clips, coins, keys, nails, screws, or other small metal objects that can make a connection from one terminal to another.** Shorting the battery terminals together may cause sparks, burns or a fire.
- **Do not incinerate this heat gun even if it is severely damaged.** The batteries can explode in a fire.
- **This appliance is not intended for use by persons (including children) with reduced physical, sensory or mental capabilities, or lack of experience and knowledge, unless they have been given supervision or instruction concerning use of the appliance by a person responsible for their safety.** Children should be supervised to ensure that they do not play with the appliance.
- **Be careful when using the appliance in places where there are combustible materials;**
 - be aware that heat may be conducted to combustible materials that are out of sight;
 - when working in these locations, keep the heat gun moving in a back-and-forth motion. Linger or pausing in one spot could ignite the panel or the material behind it.
- **Do not expose power tools to rain or wet conditions.** Water entering a power tool will increase the risk of electric shock.
- **Do not overreach. Keep proper footing and balance at all times.** This enables better control of the power tool in unexpected situations.
- **Do not apply to the same place for a long time.**

Cordless heat gun safety warnings

1. **Misuse of the heat gun could cause risk of fire.**
2. **Do not use this tool as a hair dryer.**
3. **Never leave the heat gun unattended when it is running.**
4. **Do not use the heat gun in humid, flammable, or explosive environment.**
5. **Check the work area before operation. Do not use the tool if safety is not confirmed.**
6. **Keep the work area sufficient air ventilation.** Poisonous smoke may be generated when working with some materials.
7. **While the heat gun is running or shortly after the heat gun is turned off, do not touch the nozzle or accessory attached to the nozzle as it has become very hot. Wait until the nozzle or accessory is cooled down completely.**
8. **Do not look down into the nozzle of the heat gun when it is running.**
9. **Do not allow the hot nozzle of the heat gun touch any object or material that is flammable or easily melted or damaged by heat when the heat gun is running or shortly after turning off.**
10. **When installing or removing the nozzle, allow the nozzle to cool sufficiently.**
11. **After use, allow the tool to stand on its own or place the heating nozzle upward before cooling.**

12. **Always turn off the heat gun, disconnect the power source and let it cool down completely before moving or storing.**
 13. **Never obstruct the air inlet or air ventilation in any way.** Doing so could cause the heat gun extremely hot and damaged.
 14. **Do not allow any object drop into the nozzle of the heat gun.** It may cause short circuit or over heat.
 15. **Never point the heat gun towards any other persons or flammable objects.**
 16. **Heat slowly while moving the heat gun up, down, left and right. Do not apply to the same place for a long time.**
 17. **Clean the paint from the nozzle; it could ignite.**
 18. **When using the tool with it stands on its own, put the tool on the stable position.**
 19. **When using the tool with accessories, make sure that the accessories attached to the tool firmly.**
 20. **Use Makita's genuine accessories.**
 21. **Do not take the tool as a blower.**
 22. **Indication: Battery is partially charged when delivered. The battery has to be fully charged to ensure the battery power before first time usage. Battery pack has to be removed from the tool for charging.**
 23. **Battery can be charged at any time which will not shorten its lifetime. Any discontinue during charging will not damage the battery either.**
7. **Do not use a battery pack or tool that is damaged or modified.** Damaged or modified batteries may exhibit unpredictable behaviour resulting in fire, explosion or risk of injury.
 8. **Do not expose a battery pack or tool to fire or excessive temperature.** Exposure to fire or temperature above 130 °C may cause explosion.
 9. **Follow all charging instructions and do not charge the battery pack or tool outside the temperature range specified in the instructions.** Charging improperly or at temperatures outside the specified range may damage the battery and increase the risk of fire.
 10. **Have servicing performed by a qualified repair person using only identical replacement parts.** This will ensure that the safety of the product is maintained.
 11. **Do not modify or attempt to repair the tool or the battery pack except as indicated in the instructions for use and care.**

Safety warnings for battery-operated tool

Battery-operated tool use and care

1. **Prevent unintentional starting.** Ensure the switch is in the off-position before connecting to battery pack, picking up or carrying the tool. Carrying the tool with your finger on the switch or energizing tool that have the switch on invites accidents.
 2. **Disconnect the battery pack from the tool before making any adjustments, changing accessories, or storing tool.** Such preventive safety measures reduce the risk of starting the tool accidentally.
 3. **Recharge only with the charger specified by the manufacturer.** A charger that is suitable for one type of battery pack may create a risk of fire when used with another battery pack.
 4. **Use power tools only with specifically designated battery packs.** Use of any other battery packs may create a risk of injury and fire.
 5. **When battery pack is not in use, keep it away from other metal objects, like paper clips, coins, keys, nails, screws or other small metal objects, that can make a connection from one terminal to another.** Shorting the battery terminals together may cause burns or a fire.
 6. **Under abusive conditions, liquid may be ejected from the battery; avoid contact. If contact accidentally occurs, flush with water. If liquid contacts eyes, additionally seek medical help.** Liquid ejected from the battery may cause irritation or burns.
1. **Before using battery cartridge, read all instructions and cautionary markings on (1) battery charger, (2) battery, and (3) product using battery.**
 2. **Do not disassemble or tamper with the battery cartridge.** It may result in a fire, excessive heat, or explosion.
 3. **If operating time has become excessively shorter, stop operating immediately. It may result in a risk of overheating, possible burns and even an explosion.**
 4. **If electrolyte gets into your eyes, rinse them out with clear water and seek medical attention right away. It may result in loss of your eyesight.**
 5. **Do not short the battery cartridge:**
 - (1) **Do not touch the terminals with any conductive material.**
 - (2) **Avoid storing battery cartridge in a container with other metal objects such as nails, coins, etc.**
 - (3) **Do not expose battery cartridge to water or rain.**
- A battery short can cause a large current flow, overheating, possible burns and even a breakdown.**
6. **Do not store and use the tool and battery cartridge in locations where the temperature may reach or exceed 50 °C (122 °F).**
 7. **Do not incinerate the battery cartridge even if it is severely damaged or is completely worn out. The battery cartridge can explode in a fire.**
 8. **Do not nail, cut, crush, throw, drop the battery cartridge, or hit against a hard object to the battery cartridge.** Such conduct may result in a fire, excessive heat, or explosion.
 9. **Do not use a damaged battery.**
 10. **The contained lithium-ion batteries are subject to the Dangerous Goods Legislation requirements.**
For commercial transports e.g. by third parties, forwarding agents, special requirement on packaging and labeling must be observed.

Important safety instructions for battery cartridge

For preparation of the item being shipped, consulting an expert for hazardous material is required. Please also observe possibly more detailed national regulations.

Tape or mask off open contacts and pack up the battery in such a manner that it cannot move around in the packaging.

11. **When disposing the battery cartridge, remove it from the tool and dispose of it in a safe place. Follow your local regulations relating to disposal of battery.**
12. **Use the batteries only with the products specified by Makita.** Installing the batteries to non-compliant products may result in a fire, excessive heat, explosion, or leak of electrolyte.
13. **If the tool is not used for a long period of time, the battery must be removed from the tool.**
14. **During and after use, the battery cartridge may take on heat which can cause burns or low temperature burns. Pay attention to the handling of hot battery cartridges.**
15. **Do not touch the terminal of the tool immediately after use as it may get hot enough to cause burns.**
16. **Do not allow chips, dust, or soil stuck into the terminals, holes, and grooves of the battery cartridge.** It may cause heating, catching fire, burst and malfunction of the tool or battery cartridge, resulting in burns or personal injury.
17. **Unless the tool supports the use near high-voltage electrical power lines, do not use the battery cartridge near high-voltage electrical power lines.** It may result in a malfunction or breakdown of the tool or battery cartridge.
18. **Keep the battery away from children.**

SAVE THESE INSTRUCTIONS.

⚠ CAUTION: Only use genuine Makita batteries. Use of non-genuine Makita batteries, or batteries that have been altered, may result in the battery bursting causing fires, personal injury and damage. It will also void the Makita warranty for the Makita tool and charger.

Tips for maintaining maximum battery life

1. **Charge the battery cartridge before completely discharged. Always stop tool operation and charge the battery cartridge when you notice less tool power.**
2. **Never recharge a fully charged battery cartridge. Overcharging shortens the battery service life.**
3. **Charge the battery cartridge with room temperature at 10 °C - 40 °C (50 °F - 104 °F). Let a hot battery cartridge cool down before charging it.**
4. **When not using the battery cartridge, remove it from the tool or the charger.**
5. **Charge the battery cartridge if you do not use it for a long period (more than six months).**

PACKAGE CONTENT LIST

Check that the items listed below are included in the package.

- 1 Cordless Heat gun
- 1 Set of accessories (Some accessories may not be necessary depending on your purpose.)
- 1 Instruction manual

NOTE: When parts are missing or damaged, please contact your dealer.

PARTS DESCRIPTION

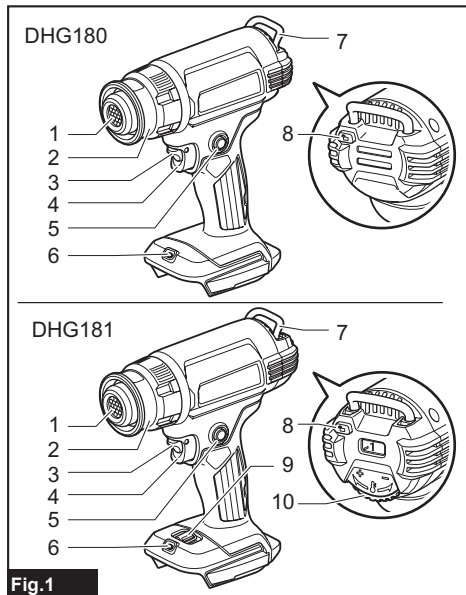


Fig.1

1	Heating nozzle	2	Front cover
3	Lock off lever	4	Switch trigger
5	Lock on button	6	LED light
7	Hook	8	Hook release button
9	Air volume switch (1/2)	10	Temperature dial

ASSEMBLY

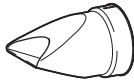
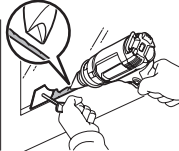
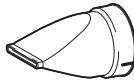
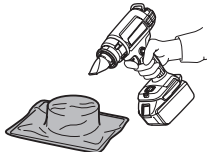

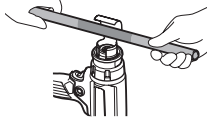


Attaching and detaching accessories

The heat gun can use with accessory or without the accessories according to various of heating purpose.

Attaching the accessory

- Choose the appropriate nozzle according to the heating applications.
- Push the fitting end of the nozzle onto the heating nozzle.

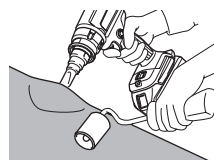
MOUNTING THE CORRECT ACCESSORY (IF APPLICABLE)

Shape and description	Example
Glass protection nozzle Protect windows when stripping frames 	Drying the putty on the window frame Removing putty from the window frame with the scraper (optional accessory) 
Wide-slot nozzle For heating spread over wider area 	Heat packaging for heat shrink films 
Reflector nozzle 	Heat shrinking for heat shrink tubes Bending of resin tube 
Reduction nozzle For heating concentrated over small area 	Paint stripping with the scraper (optional accessory) 

Overlap welding nozzle
(Optional accessory)



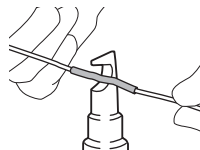
Patching a vinyl sheet with the pressure roller (optional accessory)



Solder sleeves reflector
(Optional accessory)



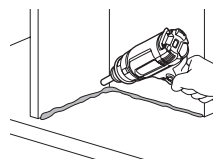
Heat shrinking for heat shrink tubes



Welding nozzle
(Optional accessory)



For heating concentrated over small area



⚠ WARNING: Ensure the power tool is switched off and battery cartridge is removed from the power tool before attaching the accessories. Attaching the accessories with switch on or battery cartridge attached may cause the risk of accidents.

⚠ WARNING: Make sure to attach the accessories securely. Otherwise the accessory may fall off accidentally and cause burn injury.

Detaching the accessory

Turn the front cover in the direction of the arrow in the illustration, the accessory will be ejected. This allows you to remove nozzles without touching them while they are still hot.

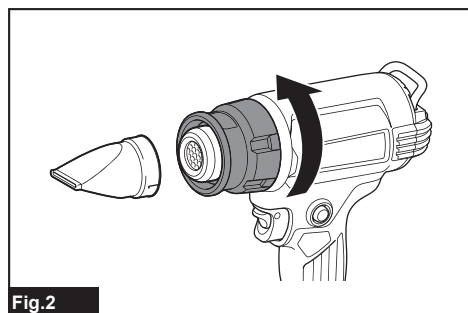


Fig.2

⚠WARNING: Do not touch the accessory attached to or ejected from the heat gun immediately after use. Do not eject the accessory to any person or animal. The nozzle attachment gets extremely hot after use and cause risk burn injury.

⚠WARNING: Do not eject the accessory to any surface that is flammable or easy to be melt. The nozzle attachment gets extremely hot after use and cause risk of fire or melting the surface.

⚠WARNING: Use the identical accessories included in the original package or serviced by the dealer or service center. Use wrong or defective accessory may cause the hot air to flow backward and damage the tool and create a hazard.

Installing or removing battery cartridge

⚠CAUTION: Always switch off the tool before installing or removing of the battery cartridge.

⚠CAUTION: Hold the tool and the battery cartridge firmly when installing or removing battery cartridge. Failure to hold the tool and the battery cartridge firmly may cause them to slip off your hands and result in damage to the tool and battery cartridge and a personal injury.

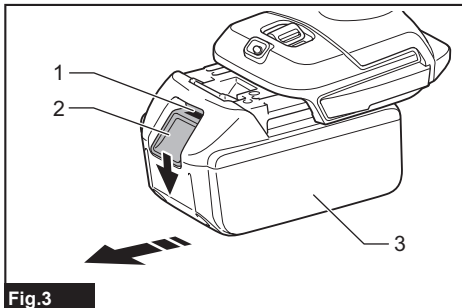


Fig.3

► 1. Red indicator 2. Button 3. Battery cartridge

To remove the battery cartridge, slide it from the tool while sliding the button on the front of the cartridge.

To install the battery cartridge, align the tongue on the battery cartridge with the groove in the housing and slip it into place. Insert it all the way until it locks in place with a little click. If you can see the red indicator as shown in the figure, it is not locked completely.

⚠CAUTION: Always install the battery cartridge fully until the red indicator cannot be seen. If not, it may accidentally fall out of the tool, causing injury to you or someone around you.

⚠CAUTION: Do not install the battery cartridge forcibly. If the cartridge does not slide in easily, it is not being inserted correctly.

OPERATION

NOTE: At first use of the heat gun, some smoke may emit from the nozzle. This is normal and will soon decrease.

Switching On and Off

Switching On

- Pull the lock off lever downwards and pull in the switch trigger to switch on tool.
- Press in the lock on button on the left with your thumb to keep the tool running.

Switching Off

- Release the switch trigger to stop.
- To stop the tool from the locked position, pull the switch trigger fully to unlock. Release the switch trigger to stop.

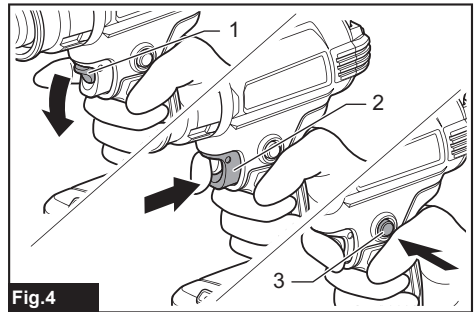


Fig.4

► 1. Lock off lever 2. Switch trigger 3. Lock on button

Temperature setting (DHG181)

The temperature is adjustable by turning the temperature dial. The dial is marked 1 (lowest temperature) to 6 (highest temperature).

Adjust to suitable temperature for your applications.

The following table suggests setting for different applications.

Setting	Applications
1 (Ambient temperature)	Cooling the hot parts.
	Cooling the machines before changing the nozzle.
2 - 6	Drying paint and varnish.
	Removing stickers.
	Waxing and de-waxing.
	Shrinking PVC wrapping and insulation tubes.
	Thawing frozen pipes.
	Welding plastics.
Bending plastic pipes and sheets.	

Air volume setting (DHG181)

The air volume is adjustable by switching the air volume switch at position 1 or 2.

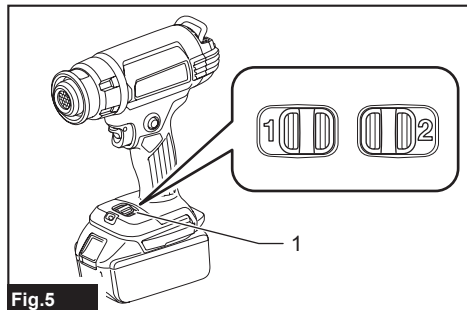


Fig.5

► 1. Air volume switch (1/2)

Using the tool with it stands on its own

This tool can be used with upright position or with the heat nozzle facing up as shown in the figure. When using the tool with it stands on its own, turn on the switch and then press in the lock on button to keep the tool running.

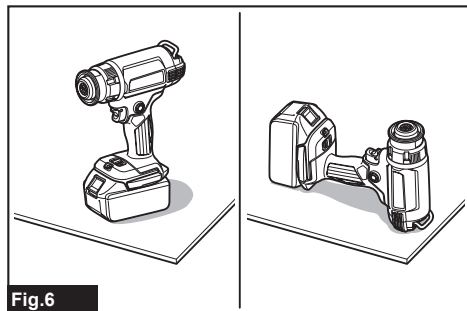


Fig.6

⚠ WARNING: Only use the tool in either posture as shown. Turn off the switch before putting down the tool in other postures.

⚠ CAUTION: When using the tool with it stands on its own, put the tool on the stable position. Using the tool on unstable place or a place with a slope, the tool may fall down and cause an injury.

Cooling down

The heating nozzle and accessories became very hot during use. Let them cool down before attempting to move or store the tool.

⚠ CAUTION: After use, do not touch nozzle until it has had time to cool.

⚠ CAUTION: Do not leave work area until tool has cooled. Be alert for indications of concealed fire. Allow time for the tool to cool then clean and store the tool indoors out of children's reach.

FUNCTIONAL DESCRIPTION

LED light

⚠ CAUTION: Do not look in the light or see the source of light directly.

Pull the switch trigger to light up the lamp. The lamp keeps on lighting while the switch trigger is being pulled. The lamp goes out approximately 10 seconds after releasing the switch trigger.

NOTE: Use a dry cloth to wipe the dirt off the lens of the lamp. Be careful not to scratch the lens of lamp, or it may lower the illumination.

Hook

The hook allows you to hang the tool to your selected location.

1. Press the hook release button.
2. Swing the hook outside.

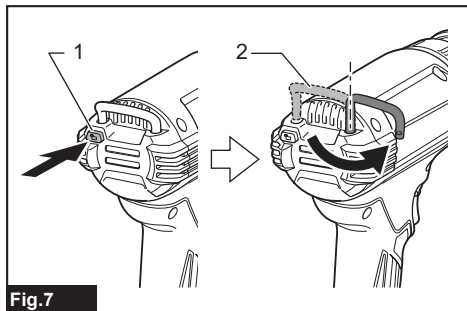


Fig.7

► 1. Hook release button 2. Hook

To store the hook, swing the hook to the original position, and then push the hook into the tool until it clicks.

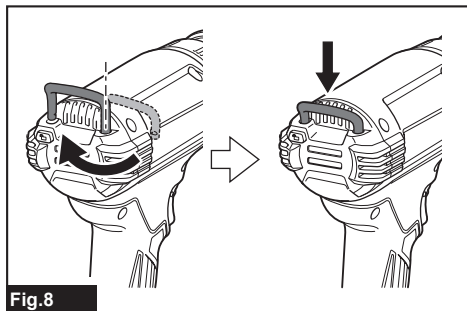


Fig.8

Tool / battery protection system

The tool is equipped with a tool/battery protection system. This system automatically cuts off power to the motor to extend tool and battery life. The tool will automatically stop during operation if the tool or battery is placed under one of the following conditions.

Overdischarge protection

When the battery capacity becomes low, the tool stops automatically. If the product does not operate even when the switches are operated, remove the batteries from the tool and charge the batteries.

Protections against other causes

Protection system is also designed for other causes that could damage the tool and allows the tool to stop automatically. Take all the following steps to clear the causes, when the tool has been brought to a temporary halt or stop in operation.

1. Turn the tool off, and then turn it on again to restart.
2. Charge the battery(ies) or replace it/them with recharged battery(ies).
3. Let the tool and battery(ies) cool down.

If no improvement can be found by restoring protection system, then contact your local Makita Service Center.

Indicating the remaining battery capacity

Only for battery cartridges with the indicator

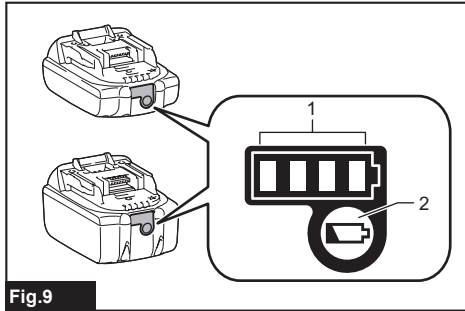


Fig.9

► 1. Indicator lamps 2. Check button

Press the check button on the battery cartridge to indicate the remaining battery capacity. The indicator lamps light up for a few seconds.

Indicator lamps			Remaining capacity
Lighted	Off	Blinking	
■	■ ■ ■ ■		75% to 100%
	■ ■ ■ □		50% to 75%
	■ ■ □ □		25% to 50%
	■ □ □ □		0% to 25%
▬	□ □ □ □		Charge the battery.
■ ■ □ □	□ □ ■ ■	↑ ↓	The battery may have malfunctioned.

NOTE: Depending on the conditions of use and the ambient temperature, the indication may differ slightly from the actual capacity.

NOTE: The first (far left) indicator lamp will blink when the battery protection system works.

MAINTENANCE

CAUTION: Always be sure that the tool is switched off and the battery cartridge is removed before attempting to perform inspection or maintenance.

NOTICE: Never use gasoline, benzine, thinner, alcohol or the like. Discoloration, deformation or cracks may result.

To maintain product SAFETY and RELIABILITY, repairs, any other maintenance or adjustment should be performed by Makita Authorized or Factory Service Centers, always using Makita replacement parts.

The tool has been designed to operate over a long period of time with a minimum of maintenance. Continuous satisfactory operation depends upon proper care and regular cleaning of the tool.

Lubrication

No lubrication is needed for this product.

Cleaning

- Keep the ventilation openings and switch trigger clean and free of foreign materials.
- Clean the tool with soft cloth periodically and preferably after each time of use.

OPTIONAL ACCESSORIES

CAUTION: These accessories or attachments are recommended for use with your Makita tool specified in this manual. The use of any other accessories or attachments might present a risk of injury to persons. Only use accessory or attachment for its stated purpose.

If you need any assistance for more details regarding these accessories, ask your local Makita Service Center.

- Nozzle
- Pressure roller
- Scraper
- Makita genuine battery and charger

NOTE: Some items in the list may be included in the tool package as standard accessories. They may differ from country to country.

MAKITA LIMITED WARRANTY

Please refer to the annexed warranty sheet for the most current warranty terms applicable to this product. If annexed warranty sheet is not available, refer to the warranty details set forth at below website for your respective country.

United States of America: www.makitatools.com

Canada: www.makita.ca

Other countries: www.makita.com

SPÉCIFICATIONS

Modèle :	DHG180	DHG181
Tension nominale	C.C. 18 V	
Température	550 °C (1 022 °F)	Température ambiante - 550 °C (1 022 °F)
Volume d'air	200 L/min (7,1 cu.ft./min)	1 : 120 L/min (4,2 cu.ft./min) 2 : 200 L/min (7,1 cu.ft./min)
Dimensions (L x P x H) avec BL1860B	168 mm x 79 mm x 251 mm (6-5/8" x 3-1/8" x 9-7/8")	173mm x 79 mm x 255 mm (6-13/16" x 3-1/8" x 10")
Poids net	1,0 - 1,3 kg (2,2 - 2,9 lbs)	1,0 - 1,4 kg (2,2 - 3,1 lbs)

- Étant donné l'évolution constante de notre programme de recherche et développement, les spécifications contenues dans ce manuel sont sujettes à modification sans préavis.
- Les spécifications et la batterie peuvent varier suivant les pays.
- Le poids peut varier selon les accessoires, y compris la batterie. La plus légère et la plus lourde combinaisons, selon la procédure EPTA 01/2014, sont indiquées dans le tableau.

Batteries et chargeurs applicables






Batterie	BL1815N / BL1820B / BL1830 / BL1830B / BL1840B / BL1850B / BL1860B
Chargeur	DC18RC / DC18RD / DC18RE / DC18SD / DC18SE / DC18SF / DC18SH

- Suivant la région où vous habitez, il se peut que certaines des batteries et certains des chargeurs énumérés ci-dessus ne soient pas disponibles.

⚠ MISE EN GARDE : Utilisez exclusivement les batteries et chargeurs énumérés ci-dessus. L'utilisation de toute autre batterie ou tout autre chargeur peut entraîner une blessure et/ou un incendie.

Symboles

Les symboles qui peuvent être utilisés pour l'équipement sont indiqués ci-dessous. Vous devez avoir compris leur signification avant l'utilisation.

	Mise en garde
	volts
	courant continu
	N'utilisez pas le décapeur thermique sous la pluie et ne le laissez pas à l'extérieur lorsqu'il pleut.
	Surfaces chaudes - Brûlures aux doigts ou aux mains.

Utilisation prévue

Ce décapeur thermique sans fil a été conçu pour diverses applications de chauffage, comme le rétrécissement à la chaleur d'emballages ou de tuyaux thermorétractables, la soudure ou le retrait de soudures de composants électroniques, le décollement de rubans autoadhésifs ou d'autocollants, le desserrage d'écrous ou de boulons rouillés, le façonnage de pièces en plastique, le séchage, la fonte ou la décongélation, etc.

CONSIGNES DE SÉCURITÉ IMPORTANTES

LISEZ CES INSTRUCTIONS

Les endroits cachés, comme derrière les murs, les plafonds, les planchers, les panneaux de soffite et d'autres panneaux peuvent contenir des matériaux inflammables qui pourraient s'enflammer en raison du décapeur thermique lorsqu'on travaille dans ces endroits. L'allumage de ces matériaux pourrait ne pas être immédiatement apparent et pourrait entraîner des dommages matériels et des blessures corporelles.

⚠ MISE EN GARDE : Il est essentiel de faire preuve d'une grande prudence lorsqu'on décape de la peinture. Le pelage, les résidus et les vapeurs de la peinture peuvent contenir du plomb, lequel est toxique. Toute peinture remontant à avant 1977 peut contenir du plomb et il est probable que celle appliquée dans les maisons avant 1950 en contienne. Une fois déposé sur les surfaces, le contact de la main à la bouche peut entraîner une ingestion de plomb. Une exposition au plomb, même à de faibles niveaux, peut entraîner des dommages irréversibles au cerveau et au système nerveux; les jeunes enfants et les enfants à naître sont particulièrement vulnérables.

Avant de commencer tout processus de retrait de peinture, vous devez déterminer si la peinture que vous retirez contient du plomb. Ceci peut être réalisé pour votre service de santé local ou par un professionnel qui utilise un analyseur de peinture pour vérifier le contenu en plomb de la peinture à retirer. **LA PEINTURE À BASE DE PLOMB DOIT ÊTRE RETIRÉE UNIQUEMENT PAR UN PROFESSIONNEL ET NE DOIT PAS L'ÊTRE AVEC UN DÉCAPEUR THERMIQUE.**

Les personnes qui enlèvent la peinture doivent suivre les lignes directrices suivantes :

1. Déplacer les pièces de travail à l'extérieur. Si cela est impossible, maintenir la zone de travail bien ventilée. Ouvrir les fenêtres et mettre un ventilateur d'échappement dans l'une d'entre elles. S'assurer que le ventilateur déplace l'air de l'intérieur vers l'extérieur.
2. Retirer ou recouvrir tout tapis, meuble, vêtement, ustensile de cuisine et conduit d'air.
3. Placer des toiles de protection dans la zone de travail pour recueillir toute écaille de peinture ou pelure. Porter des vêtements de protection, comme un chandail de travail supplémentaire, une combinaison et un chapeau.
4. Travailler dans une pièce à la fois. Les meubles doivent être retirés ou placés au centre de la pièce et recouverts. Les zones de travail doivent être isolées du reste de l'habitation en scellant les entrées de porte avec des toiles de protection.
5. Les enfants, femmes enceintes ou pouvant l'être et les mères qui allaitent ne doivent pas être présents dans la zone de travail jusqu'à ce que les travaux soient terminés et que le nettoyage soit terminé.
6. Portez un masque antipoussière ou un respirateur à filtre double (poussières et fumée) qui a été homologué par la Occupational Safety and Health Administration (OSHA), le National Institute of Safety and Health (NIOSH) ou le United States Bureau of Mines. Ces masques et filtres remplaçables sont aisément disponibles dans les grandes quincailleries. Assurez-vous que le masque est bien ajusté. Les barbes et poils du visage pourraient empêcher les masques d'être scellés correctement. Changez souvent les filtres. **LES MASQUES EN PAPIER JETABLES NE SONT PAS ADÉQUATS.**
7. Faites preuve de prudence lorsque vous utilisez un décapeur thermique. Maintenez le décapeur thermique en mouvement, car une chaleur excessive générera des fumées qui pourraient être inhalées par l'opérateur.
8. Gardez les aliments et les boissons hors de la zone de travail. Lavez les mains, les bras et le visage, et rincez la bouche avant de manger ou de boire. Ne fumez pas et ne mâchez pas de gomme ou de tabac dans la zone de travail.

9. Nettoyez toute la peinture et la poussière retirée en passant une vadrouille mouillée sur les planchers. Utilisez un chiffon humide sur tous les murs, les seuils et les autres surfaces où de la poussière ou de la peinture demeure. **NE BALAYEZ PAS, NE DÉPOUSSIÉREZ PAS À SEC ET N'ASPIREZ PAS.** Utilisez un détergent à forte teneur en phosphate ou du phosphate trisodique (TSP) pour laver et passer la vadrouille dans les zones concernées.
10. À la fin de chaque quart de travail, mettez les morceaux de peinture et les débris dans un sac en plastique double, fermez-le avec du ruban ou ligaturez et éliminez correctement.
11. Retirez les vêtements de protection et les chaussures de travail dans la zone de travail afin d'éviter de transporter de la poussière dans le reste de l'habitation. Lavez les vêtements de travail séparément. Essayez les chaussures avec un chiffon humide qui sera ensuite lavé avec les vêtements de travail. Lavez les cheveux et le corps entièrement avec de l'eau et du savon.

CONSERVEZ CES INSTRUCTIONS

- La batterie ne doit être rechargée qu'avec le chargeur spécifié pour la batterie. Un chargeur adéquat pour un certain type de batterie peut présenter un risque d'incendie s'il est utilisé avec une batterie d'un autre type.
- N'utilisez le décapeur thermique alimenté par batterie qu'avec la batterie spécifiquement désignée. L'utilisation de toute autre batterie peut présenter un risque d'incendie.
- Lorsque la batterie n'est pas utilisée, tenez-la à distance des objets métalliques tels que trombones, pièces de monnaie, clés, clous, vis ou autres petits objets métalliques, conducteurs potentiels entre une borne et une autre. Un court-circuit entre les bornes de batterie peut provoquer des étincelles, des brûlures ou un incendie.
- N'incinerez pas ce décapeur thermique, même s'il est gravement endommagé. Les batteries peuvent exploser dans le feu.
- Cet appareil n'est pas conçu pour être utilisé par les personnes (y compris les enfants) qui ont des facultés physiques, sensorielles ou mentales réduites ou dont l'expérience et les connaissances sont insuffisantes, à moins qu'ils ne soient supervisés ou aient reçu des instructions sur l'utilisation sécuritaire de l'appareil par une personne responsable de leur sécurité. Les enfants doivent être supervisés pour s'assurer qu'ils ne jouent pas avec l'appareil.
- Soyez prudents lorsque vous utilisez l'appareil à des endroits où il y a des matériaux combustibles;
 - soyez conscient que la chaleur peut être conduite jusqu'à des matériaux combustibles qui sont hors de votre champ de vision;
 - lorsque vous travaillez à ces endroits, bougez continuellement le pistolet thermique en décrivant un mouvement de va-et-vient. S'attarder ou rester à un endroit pourrait enflammer le panneau ou le matériau qui se trouve derrière celui-ci.

- **N'exposez pas les outils électriques à la pluie ou à l'eau.** La présence d'eau dans un outil électrique augmente le risque de choc électrique.
 - **Nous vous étirez pas exagérément. Assurez-vous d'une bonne prise au sol et d'un bon équilibre en tout temps.** Cela vous permettra d'avoir une meilleure maîtrise de l'outil électrique dans les situations imprévues.
 - **N'appliquez pas la chaleur au même endroit pendant longtemps.**
19. **Lorsque vous utilisez l'outil avec des accessoires, assurez-vous que les accessoires sont solidement fixés à l'outil.**
 20. **Utilisez des accessoires Makita authentiques.**
 21. **N'utilisez pas l'outil comme s'il s'agissait d'un ventilateur.**
 22. **Indication : Lorsque vous recevez l'appareil, la batterie est partiellement chargée. La batterie doit être complètement chargée pour garantir l'alimentation de la batterie lors de l'utilisation initiale. La batterie doit être retirée de l'outil pour la charge.**
 23. **La batterie peut être chargée en tout temps et cela n'aura aucune incidence sur sa durée de vie. Toute interruption pendant la charge n'endommagera pas la batterie non plus.**

Consignes de sécurité pour décapeur thermique sans fil

1. **Une mauvaise utilisation du décapeur thermique peut causer un risque d'incendie.**
2. **N'utilisez pas cet outil comme sèche-cheveux.**
3. **Ne laissez jamais le décapeur thermique sans surveillance lorsqu'il fonctionne.**
4. **N'utilisez pas le décapeur thermique dans un environnement humide, inflammable ou explosif.**
5. **Avant l'utilisation, vérifiez la zone de travail. N'utilisez pas l'outil s'il n'est pas confirmé qu'il est sûr de le faire.**
6. **Maintenez une ventilation d'air suffisante dans la zone de travail.** Une fumée toxique peut être générée lorsqu'on travaille sur certains matériaux.
7. **Pendant que le décapeur thermique fonctionne ou peu après l'avoir éteint, ne touchez pas la buse ou l'accessoire qui y est fixé, car il pourrait être très chaud. Attendez que la buse ou l'accessoire soit complètement refroidi.**
8. **Ne regardez pas dans la buse du décapeur thermique pendant qu'il fonctionne.**
9. **Ne laissez pas la buse chaude du décapeur thermique toucher à tout objet ou matériau qui est inflammable ou facilement fondu et endommagé par la chaleur lorsque le décapeur thermique fonctionne ou peu après l'avoir éteint.**
10. **Lors de l'installation ou de la dépose de la buse, laissez la buse se refroidir suffisamment.**
11. **Après l'utilisation, laissez l'outil sur son socle ou placez la buse de chauffage vers le haut avant le refroidissement.**
12. **Éteignez toujours le décapeur thermique, débranchez la source d'alimentation et laissez-le se refroidir complètement avant de le déplacer ou de le ranger.**
13. **N'obstruez jamais d'aucune manière l'entrée d'air ou la ventilation.** Si vous le faites, le décapeur thermique pourrait devenir extrêmement chaud et être endommagé.
14. **Ne laissez jamais aucun objet tomber dans la buse du décapeur thermique.** Cela pourrait causer un court-circuit ou un chauffage excessif.
15. **Ne pointez jamais le décapeur thermique vers une autre personne ou des objets inflammables.**
16. **Chauffez lentement tout en déplaçant le décapeur thermique vers le haut, le bas, la gauche et la droite. N'appliquez pas la chaleur au même endroit pendant longtemps.**
17. **Nettoyez la peinture de la buse; elle pourrait s'enflammer.**
18. **Lorsque vous utilisez l'outil avec son socle, placez l'outil sur une position stable.**

Mises en garde de sécurité pour outil à batterie

Utilisation et entretien de l'outil à batterie

1. **Évitez le démarrage accidentel. Assurez-vous que l'interrupteur est en position d'arrêt avant de connecter l'outil à la batterie, de le saisir ou de le transporter.** Transporter l'outil avec le doigt sur l'interrupteur ou le mettre sous tension alors que son interrupteur est en position de marche ouvre la porte aux accidents.
2. **Retirez la batterie de l'outil avant de procéder à des réglages, au remplacement d'accessoires ou au rangement de l'outil.** De telles mesures préventives réduisent les risques de démarrage accidentel de l'outil.
3. **Pour recharger, utilisez uniquement le chargeur spécifié par le fabricant.** L'utilisation d'un chargeur conçu pour un type donné de bloc-piles comporte un risque d'incendie lorsqu'il est utilisé avec un autre type de bloc-piles.
4. **N'utilisez un outil électrique qu'avec le bloc-piles conçu spécifiquement pour cet outil.** Il y a un risque de blessure ou d'incendie si un autre bloc-piles est utilisé.
5. **Lorsque vous n'utilisez pas le bloc-piles, rangez-le à l'écart des objets métalliques tels que trombones, pièces de monnaie, clés, clous, vis ou autres petits objets métalliques qui risqueraient d'établir une connexion entre les bornes.** La mise en court-circuit des bornes de batterie peut causer des brûlures ou un incendie.
6. **Dans des conditions d'utilisation inadéquates de la batterie, il peut y avoir fuite d'électrolyte; évitez tout contact avec ce liquide. En cas de contact accidentel, rincez avec beaucoup d'eau. Si le liquide pénètre dans vos yeux, il faut aussi consulter un médecin.** L'électrolyte qui s'échappe de la batterie peut causer des irritations ou des brûlures.
7. **N'utilisez pas une batterie ou un outil s'il est endommagé ou modifié.** Les batteries endommagées ou modifiées peuvent avoir un comportement imprévisible dont peut résulter un incendie, une explosion ou un risque de blessure.

8. **N'exposez pas une batterie ou un outil au feu ou à une température excessive.** L'exposition au feu ou à une température supérieure à 130 °C peut entraîner une explosion.
9. **Suivez toutes les instructions de charge et ne chargez pas la batterie ou l'outil à l'extérieur de la plage de température spécifiée dans les instructions.** Charger de manière inadéquate ou à des températures hors de la plage spécifiée peut endommager la batterie et augmenter le risque d'incendie.
10. **Confiez l'entretien à un réparateur qualifié et n'utilisez que des pièces de rechange identiques aux pièces d'origine.** Cela assurera le maintien du produit dans un état sécuritaire.
11. **Ne modifiez pas ou n'essayez pas de réparer l'outil ou la batterie autrement que tel qu'indiqué dans les instructions d'utilisation et d'entretien.**
10. **Les batteries lithium-ion fournies sont soumises aux exigences de la législation sur les marchandises dangereuses.** Des exigences particulières sur l'emballage et l'étiquetage doivent être respectées lors du transport commercial par des tiers, des transitaires, etc. Pour préparer la marchandise à expédier, consultez un expert en matériaux dangereux si nécessaire. Respectez aussi les éventuelles réglementations nationales plus détaillées. Recouvrez de ruban isolant les contacts exposés, et emballez la batterie de sorte qu'elle ne puisse pas se déplacer à l'intérieur de l'emballage.
11. **Lors de l'élimination de la batterie, retirez-la de l'outil et éliminez-la dans un endroit sûr. Respectez la réglementation locale concernant l'élimination de la batterie.**
12. **N'utilisez les batteries qu'avec les produits spécifiés par Makita.** Installer les batteries sur des produits non conformes peut entraîner un incendie, une chaleur excessive, une explosion ou une fuite d'électrolyte.

Consignes de sécurité importantes pour la batterie

1. **Avant d'utiliser la batterie, lisez toutes les instructions et les mises en garde apposées sur (1) le chargeur de batterie, (2) la batterie et (3) le produit utilisant la batterie.**
2. **Ne démontez pas et ne modifiez pas la batterie.** Cela peut entraîner un incendie, une chaleur excessive ou une explosion.
3. **Cessez immédiatement l'utilisation si le temps de fonctionnement devient excessivement court. Il y a risque de surchauffe, de brûlures, voire d'explosion.**
4. **Si l'électrolyte pénètre dans vos yeux, rincez-les à l'eau claire et consultez immédiatement un médecin. Il y a risque de perte de la vue.**
5. **Ne court-circuitez pas la batterie :**
 - (1) **Ne touchez les bornes avec aucun matériau conducteur.**
 - (2) **Évitez de ranger la batterie dans un conteneur avec d'autres objets métalliques tels que clous, pièces de monnaie, etc.**
 - (3) **Évitez d'exposer la batterie à l'eau ou à la pluie.**

Un court-circuit de la batterie pourrait provoquer un fort courant, une surchauffe, parfois des brûlures et même une panne.
6. **Ne rangez pas et n'utilisez pas l'outil ou la batterie dans des emplacements où la température peut atteindre ou dépasser 50 °C (122 °F).**
7. **Ne jetez pas la batterie au feu même si elle est sérieusement endommagée ou complètement épuisée. La batterie peut exposer au contact du feu.**
8. **Évitez de clouer, de couper, d'écraser, de lancer ou d'échapper la batterie, ou de heurter un objet dur contre la batterie.** Cela peut entraîner un incendie, une chaleur excessive ou une explosion.
9. **N'utilisez pas une batterie si elle est endommagée.**
13. **Si l'outil reste inutilisé pour une période prolongée, la batterie doit en être retirée.**
14. **Pendant et après l'utilisation, la batterie peut accumuler de la chaleur, ce qui peut causer des brûlures ou des brûlures à basse température. Faites attention lors de la manipulation des batteries chaudes.**
15. **Ne touchez pas la borne de l'outil immédiatement après l'utilisation, car elle peut être assez chaude pour causer des brûlures.**
16. **Ne laissez pas les copeaux, les poussières ou la terre se coincer dans les bornes, les trous et les rainures de la batterie.** Cela pourrait causer un réchauffement, un incendie, un éclatement et une défaillance de l'outil ou de la batterie et entraîner des brûlures ou des blessures corporelles.
17. **À moins que l'outil ne soit compatible avec l'utilisation à proximité des lignes électriques haute tension, n'utilisez pas la batterie à proximité d'une ligne électrique haute tension.** Cela peut entraîner un dysfonctionnement ou une panne de l'outil ou de la batterie.
18. **Gardez la batterie à l'écart des enfants.**

CONSERVEZ CES INSTRUCTIONS.

ATTENTION : Utilisez exclusivement les batteries fabriquées par Makita. Les batteries autres que celles fabriquées par Makita ou les batteries modifiées peuvent exposer et causer un incendie, une blessure ou des dommages. Cela annule aussi la garantie Makita de l'outil et du chargeur Makita.

Conseils pour maintenir la durée de service maximale de la batterie

1. **Rechargez la batterie avant qu'elle ne soit complètement déchargée. Arrêtez toujours l'outil et rechargez la batterie quand vous remarquez que la puissance de l'outil diminue.**
2. **Ne rechargez jamais une batterie complètement chargée. La surcharge réduit la durée de service de la batterie.**
3. **Chargez la batterie à une température ambiante comprise entre 10 °C et 40 °C (50 °F et 104 °F). Si la batterie est chaude, laissez-la refroidir avant de la charger.**
4. **Lorsque vous n'utilisez pas la batterie, retirez-la de l'outil ou du chargeur.**
5. **Chargez la batterie si elle est restée inutilisée pendant une période prolongée (plus de six mois).**

LISTE DU CONTENU DE L'EMBALLAGE

Assurez-vous que les articles listés ci-dessous sont compris dans l'emballage.

- 1 Décapeur thermique sans fil
- 1 Ensemble d'accessoires (selon l'usage souhaité, certains accessoires pourraient ne pas être nécessaires.)
- 1 Manuel d'instructions

NOTE : Lorsque des pièces sont manquantes ou endommagées, veuillez contacter votre revendeur.

DESCRIPTION DES PIÈCES

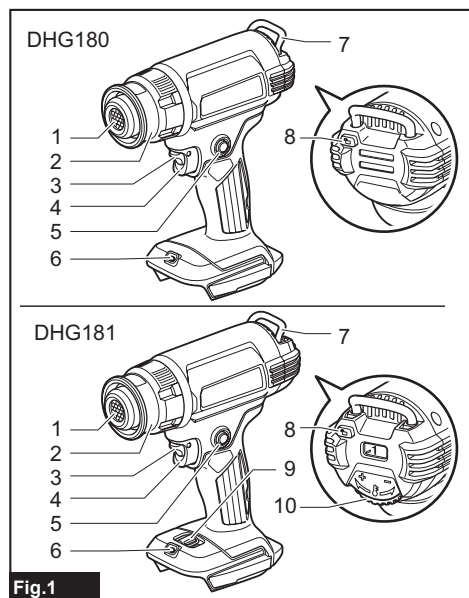


Fig.1

1	Buse de chauffage	2	Couvercle avant
3	Levier de sécurité	4	Gâchette
5	Bouton de verrouillage	6	Lampe à DEL
7	Crochet	8	Bouton de libération de crochet
9	Interrupteur de volume d'air (1/2)	10	Cadran de température

ASSEMBLAGE

Fixation et retrait des accessoires


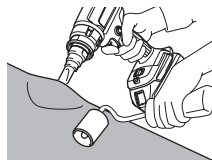

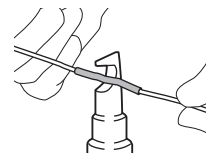
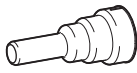
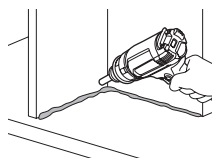
Il est possible d'utiliser le décapeur thermique avec ou sans accessoire selon l'usage qu'on veut en faire.

Fixation de l'accessoire

- Choisissez la buse adéquate selon les applications de chauffage.
- Poussez l'extrémité de raccord de la buse sur la buse de chauffage.

ASSEMBLAGE DE L'ACCESSOIRE ADÉQUAT (LE CAS ÉCHÉANT)

Forme et description	Exemple
Buse de protection en verre Protéger les fenêtres lors du décapage des cadres	Séchage du mastic sur le cadre de fenêtre Retrait du mastic du cadre de fenêtre avec le grattoir (accessoire optionnel)
Buse à fente large Pour un chauffage sur une zone plus large	Chauffer l'emballage pour faire rétrécir des pellicules thermorétractables
Buse de réflecteur	Thermorétrécissement pour les tubes thermorétractables Pliage d'un tube en résine
Buse réductrice Pour un chauffage concentré sur une petite surface	Décapage de peinture avec le grattoir (accessoire optionnel)

<p>Buse de soudure en chevauchement (Accessoire optionnel)</p> 	<p>Réparer une toile de vinyle avec un rouleau de pression (accessoire optionnel)</p> 
<p>Réflecteur de manchon de soudure (Accessoire optionnel)</p> 	<p>Thermorétrécissement pour les tubes thermorétractables</p> 
<p>Buse de soudure (Accessoire optionnel)</p> 	<p>Pour un chauffage concentré sur une petite surface</p> 

⚠ MISE EN GARDE : Assurez-vous que l'outil électrique est à l'arrêt et que la batterie est retirée de l'outil électrique avant de fixer les accessoires. Fixer les accessoires alors que l'interrupteur est en position de marche ou que la batterie est installée peut poser un risque d'accidents.

⚠ MISE EN GARDE : Assurez-vous de fixer solidement les accessoires. Dans le cas contraire, l'accessoire pourrait tomber accidentellement et causer une brûlure.

Retrait de l'accessoire

Tournez le couvercle avant dans le sens de la flèche dans l'illustration, l'accessoire sera éjecté. Ceci vous permettra de retirer les buses sans les toucher alors qu'elles sont encore chaudes.

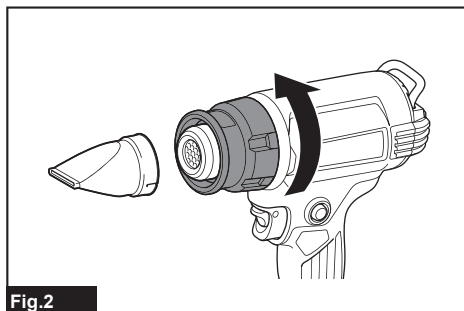


Fig.2

⚠ MISE EN GARDE : Ne touchez pas l'accessoire fixé au décapeur thermique ou éjecté de celui-ci immédiatement après l'utilisation. N'éjectez pas l'accessoire vers une personne ou un animal. La buse accessoire devient extrêmement chaude après utilisation et pourrait causer des brûlures.

⚠ MISE EN GARDE : N'éjectez pas l'accessoire vers n'importe quelle surface qui est inflammable ou facile à faire fondre. La buse accessoire devient extrêmement chaude après utilisation et pourrait poser un risque d'incendie ou faire fondre une surface.

⚠ MISE EN GARDE : Utilisez les accessoires identiques compris dans l'emballage d'origine ou réparés par le revendeur ou le centre de service. L'utilisation d'un mauvais accessoire ou d'un accessoire défectueux pourrait faire en sorte que l'air chaud s'écoule vers l'arrière et endommage l'outil pour créer un danger.

Installation ou retrait de la batterie

⚠ ATTENTION : Éteignez toujours l'outil avant d'installer ou de retirer la batterie.

⚠ ATTENTION : Tenez fermement l'outil et la batterie lors de l'installation ou du retrait de cette dernière. Si l'outil et la batterie ne sont pas tenus fermement, ils risquent de vous glisser des mains et de subir des dommages, ou encore de vous blesser.

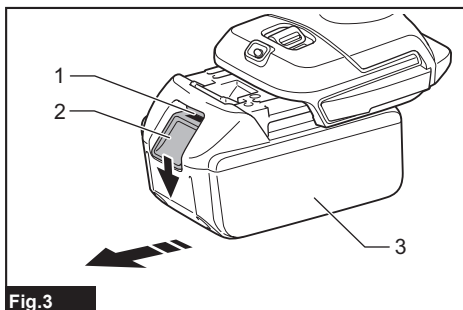


Fig.3

► 1. Indicateur rouge 2. Bouton 3. Batterie

Pour retirer la batterie, faites-la glisser hors de l'outil tout en glissant le bouton qui se trouve à l'avant.

Pour installer la batterie, alignez sa languette sur la rainure pratiquée dans le boîtier et glissez la batterie en place. Insérez-la à fond jusqu'à ce que vous entendiez un léger déclic. Si vous pouvez voir l'indicateur rouge tel qu'illustré sur la figure, cela signifie qu'elle n'est pas complètement verrouillée.

⚠ ATTENTION : Installez toujours la batterie à fond jusqu'à ce que vous ne puissiez plus voir l'indicateur rouge. Autrement elle risque de tomber accidentellement de l'outil et d'entraîner des blessures.

⚠ ATTENTION : Ne forcez pas sur la batterie pour l'installer. Si la batterie ne glisse pas facilement, c'est qu'elle n'est pas insérée correctement.

UTILISATION

NOTE : Lors de l'utilisation initiale du décapeur thermique, de la fumée pourrait être émise par la buse. Ceci est normal et s'estompera rapidement.

Mise en marche et à l'arrêt

Mise en marche

- Déplacez le levier de sécurité vers le bas et enfoncez la gâchette pour mettre l'outil en marche.
- Appuyez sur le bouton de verrouillage sur la gauche avec votre pouce pour que l'outil continue à fonctionner.

Mise à l'arrêt

- Pour arrêter l'outil, relâchez la gâchette.
- Pour arrêter l'outil depuis la position verrouillée, appuyez à fond sur la gâchette pour la déverrouiller. Pour arrêter l'outil, relâchez la gâchette.

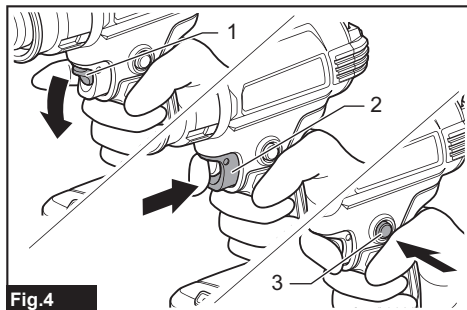


Fig.4

- 1. Levier de sécurité 2. Gâchette 3. Bouton de verrouillage

Réglage de la température (DHG181)

Il est possible de régler la température en tournant le cadran de température. Le cadran est marqué 1 (température la plus basse) jusqu'à 6 (température la plus élevée). Procédez au réglage à la température adéquate pour vos applications. Le tableau suivant suggère un réglage pour différentes applications.

Réglage	Applications
1 (Température ambiante)	Refroidissement des parties chaudes.
	Refroidissement des machines avant un changement de buse.
2 - 6	Sécher de la peinture ou du vernis.
	Retirer des autocollants.
	Cirer ou enlever de la cire.
	Rétrécir un emballage en PVC et des tubes d'isolation.
	Dégeler des tuyaux congelés.
	Souder des plastiques.
	Plier des tuyaux et des feuilles en plastique.

Réglage du volume d'air (DHG181)

Il est possible de régler le volume d'air en réglant l'interrupteur de volume d'air à la position 1 ou 2.

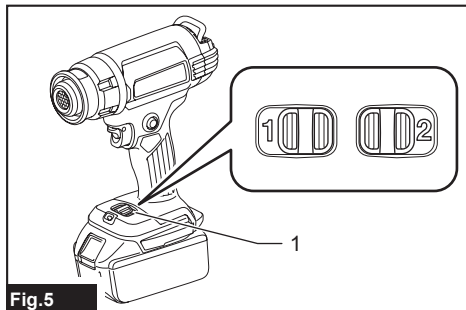


Fig.5

- 1. Interrupteur de volume d'air (1/2)

Utiliser l'outil sur son socle

Il est possible d'utiliser cet outil sur son socle ou avec sa buse de chauffage orientée vers le haut, comme illustré dans la figure.

Lorsqu'on utilise l'outil sur son socle, mettez l'interrupteur en position de marche, puis appuyez sur le bouton de verrouillage pour faire en sorte que l'outil continue à fonctionner.

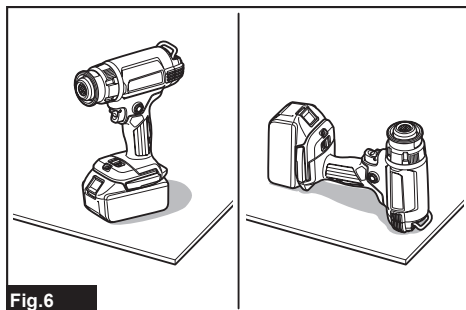


Fig.6

⚠ MISE EN GARDE : Utilisez uniquement l'outil dans l'une ou l'autre des positions, comme illustré. Mettez l'interrupteur en position d'arrêt avant de mettre l'outil dans une autre position.

⚠ ATTENTION : Lorsque vous utilisez l'outil sur son socle, placez l'outil sur une position stable. Si vous utilisez l'outil sur un endroit instable ou en pente, il pourrait tomber et causer une blessure.

Refroidissement

La buse de chauffage et les accessoires deviennent très chauds pendant l'utilisation. Laissez-les refroidir avant de tenter de déplacer ou de ranger l'outil.

⚠ATTENTION : Après l'utilisation, ne touchez pas la buse jusqu'à ce qu'elle ait eu le temps de refroidir.

⚠ATTENTION : Ne quittez pas la zone de travail jusqu'à ce que l'outil soit refroidi. Soyez alerte pour déceler des indications de feu couvant. Prévoyez du temps pour que l'outil se refroidisse, puis nettoyez et rangez l'outil à l'intérieur, hors de portée des enfants.

DESCRIPTION DU FONCTIONNEMENT

Lampe à DEL

⚠ATTENTION : Évitez de regarder directement le faisceau lumineux ou sa source.

Appuyez sur la gâchette pour allumer la lampe. La lampe reste allumée tant que vous appuyez sur la gâchette. La lampe s'éteint environ 10 secondes après avoir relâché la gâchette.

NOTE : Utilisez un linge sec pour enlever les poussières sur la lentille de la lampe. Prenez garde de rayer la lentille de la lampe, car cela peut affecter son intensité d'éclairage.

Crochet

Le crochet vous permet d'accrocher l'outil à l'endroit choisi.

1. Appuyez sur le bouton de libération de crochet.
2. Faites basculer le crochet vers l'extérieur.

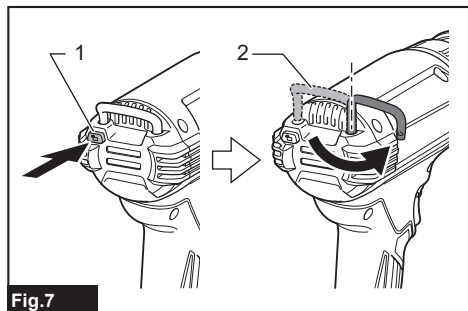


Fig.7

- 1. Bouton de libération de crochet 2. Crochet

Pour ranger le crochet, faites-le basculer à sa position d'origine, puis poussez le crochet dans l'outil jusqu'à ce qu'il émette un clic.

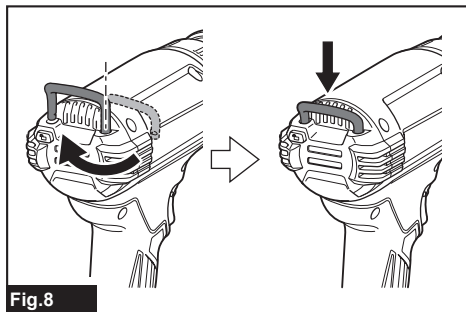


Fig.8

Dispositif de protection de l'outil et de la batterie

L'outil est doté d'un dispositif de protection de l'outil et de la batterie. Ce dispositif coupe automatiquement l'alimentation du moteur pour augmenter la durée de service de l'outil et de la batterie. L'outil s'arrête automatiquement pendant l'utilisation lorsque l'outil ou la batterie est dans l'une des situations suivantes. Dans certaines situations, les voyants s'allument.

Protection contre la décharge excessive

Lorsque la charge de la batterie est basse, l'outil s'arrête automatiquement. Si l'appareil ne fonctionne pas même lorsque vous activez les interrupteurs, retirez les batteries de l'outil et rechargez-les.

Protections contre d'autres causes

Le dispositif de protection est aussi conçu pour d'autres causes qui pourraient endommager l'outil et permet d'arrêter automatiquement l'outil. Prenez toutes les mesures suivantes pour éliminer les causes lorsque le fonctionnement de l'outil a été interrompu temporairement ou arrêté.

1. Éteignez l'outil et remettez-le de nouveau en marche.
2. Chargez la/les batterie(s) ou remplacez-la/les par une/des batteries rechargée(s).
3. Laissez l'outil et la/les batteries se refroidir.

Si la situation ne s'améliore pas en restaurant le dispositif de protection, contactez votre centre de service Makita local.

Affichage de la charge restante de la batterie

Uniquement pour les batteries avec voyant

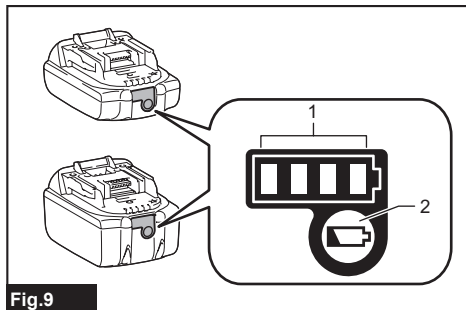


Fig.9

► 1. Témoins indicateurs 2. Bouton de vérification

Appuyez sur le bouton de vérification de la batterie pour afficher la charge restante de la batterie. Les témoins indicateurs s'allument pendant quelques secondes.

Témoins indicateurs			Charge restante
Allumé	Éteint	Clignotant	
■	■ ■ ■ ■		75 % à 100 %
	■ ■ ■ □		50 % à 75 %
	■ ■ □ □		25 % à 50 %
	■ □ □ □		0 % à 25 %
◻	◻ □ □ □		Chargez la batterie.
	■ ■ □ □	↑ ↓	La batterie a peut-être mal fonctionné.

NOTE : Suivant les conditions d'utilisation et la température ambiante, il se peut que l'indication soit légèrement différente de la charge réelle.

NOTE : La première lampe témoin (à l'extrémité gauche) clignote lorsque le dispositif de protection de la batterie s'active.

ENTRETIEN

ATTENTION : Assurez-vous toujours que l'outil est hors tension et que la batterie est retirée avant d'y effectuer tout travail d'inspection ou d'entretien.

AVIS : N'utilisez jamais d'essence, de benzine, de solvant, d'alcool ou autres produits similaires. Une décoloration, une déformation ou la formation de fissures peuvent en découler.

Pour maintenir la SÉCURITÉ et la FIABILITÉ du produit, les réparations et tout autre travail d'entretien ou de réglage doivent être effectués dans un centre de service après-vente autorisé ou une usine Makita, exclusivement avec des pièces de rechange Makita.

L'outil a été conçu pour fonctionner pendant une période de temps prolongée avec un minimum d'entretien. Une opération continue satisfaisante dépend de l'entretien adéquat et d'un nettoyage régulier de l'outil.

Lubrification

Aucune lubrification n'est nécessaire pour ce produit.

Nettoyage

- Maintenez les ouvertures de ventilation et la gâchette propres et exemptes de matières étrangères.
- Nettoyez régulièrement l'outil avec un chiffon doux et préférentiellement après chaque utilisation.

ACCESSOIRES EN OPTION

ATTENTION : Ces accessoires ou pièces complémentaires sont recommandés pour l'utilisation avec l'outil Makita spécifié dans ce manuel. L'utilisation de tout autre accessoire ou pièce complémentaire peut comporter un risque de blessure. N'utilisez les accessoires ou pièces complémentaires qu'aux fins auxquelles ils ont été conçus.

Si vous désirez obtenir plus de détails sur ces accessoires, veuillez contacter le centre de service après-vente Makita le plus près.

- Buse
- Rouleau de pression
- Grattoir
- Chargeur et batterie authentiques Makita

NOTE : Certains éléments de la liste peuvent être inclus avec l'outil comme accessoires standards. Ils peuvent varier suivant les pays.

GARANTIE LIMITÉE MAKITA

Pour les conditions de garantie en vigueur qui s'appliquent à ce produit, veuillez vous reporter à la feuille de garantie en annexe. Si la feuille de garantie en annexe n'est pas disponible, reportez-vous aux détails de la garantie présentés sur le site Web de votre pays, ci-dessous.

États-Unis d'Amérique: www.makitatools.com

Canada: www.makita.ca

Autres pays: www.makita.com

ESPECIFICACIONES

Modelo:	DHG180	DHG181
Tensión nominal	18 V c.c.	
Temperatura	550 °C (1 022 °F)	Temperatura ambiente - 550 °C (1 022 °F)
Volumen de aire	200 L/min (7,1 cu.ft./min)	1: 120 L/min (4,2 cu.ft./min) 2: 200 L/min (7,1 cu.ft./min)
Dimensiones (La x An x Al) con BL1860B	168 mm x 79 mm x 251 mm (6-5/8" x 3-1/8" x 9-7/8")	173mm x 79 mm x 255 mm (6-13/16" x 3-1/8" x 10")
Peso neto	1,0 kg - 1,3 kg (2,2 lbs - 2,9 lbs)	1,0 kg - 1,4 kg (2,2 lbs - 3,1 lbs)

- Debido a nuestro continuo programa de investigación y desarrollo, las especificaciones aquí incluidas están sujetas a cambio sin previo aviso.
- Las especificaciones y el cartucho de batería pueden variar de país a país.
- El peso puede variar en función de los accesorios, incluido el cartucho de batería. En la tabla se muestra la combinación de peso más ligero y más pesado conforme al procedimiento 01/2014 de EPTA.

Cartucho de batería y cargador aplicables






Cartucho de batería	BL1815N / BL1820B / BL1830 / BL1830B / BL1840B / BL1850B / BL1860B
Cargador	DC18RC / DC18RD / DC18RE / DC18SD / DC18SE / DC18SF / DC18SH

- Algunos de los cartuchos de batería y cargadores enumerados arriba podrían no estar disponibles dependiendo de su área de residencia.

⚠ ADVERTENCIA: Use únicamente los cartuchos de batería y los cargadores indicados arriba. El uso de cualquier otro cartucho de batería y cargador podría ocasionar una lesión y/o un incendio.

Símbolos

A continuación se muestran los símbolos que pueden ser utilizados para el equipo. Asegúrese de que entienda su significado antes de utilizar.

	Advertencia
	volts o voltios
	corriente directa o continua
	No la utilice bajo la lluvia o deje la pistola de calor a la intemperie mientras llueve.
	Superficies calientes - Quemaduras de los dedos o las manos.

Uso pretendido

Esta pistola de calor inalámbrica ha sido diseñada para varias aplicaciones de calor, como la contracción térmica de envoltorios o tubos termorretráctiles, soldadura o desoldadura de componentes electrónicos, despegar cintas o adhesivos autoadhesivos, aflojar tuercas o pernos oxidados, dar forma a piezas de plástico, secado, fusión y descongelación, etc.

INSTRUCCIONES IMPORTANTES DE SEGURIDAD

LEA ESTAS INSTRUCCIONES

Las áreas ocultas como detrás de paredes, techos, pisos, planchas de plafones y otros paneles podrían contener materiales inflamables que podrían encenderse con la pistola de calor cuando se trabaja en estos lugares. La ignición de estos materiales podría no ser palpable y resultar en daños a la propiedad y lesiones a las personas.

⚠ ADVERTENCIA: Tenga cuidado extremo cuando desprenda pintura. Las peladuras, los residuos y los vapores de la pintura podrían contener plomo, el cual es venenoso. Cualquier pintura anterior a 1977 podría contener plomo, y es probable que la pintura aplicada a las casas antes de 1950 contenga plomo. Una vez depositado en las superficies, el contacto de la mano a la boca podría resultar en la ingestión de plomo. La exposición incluso a niveles bajos de plomo podría causar daños irreversibles al cerebro y al sistema nervioso; los niños pequeños y no nacidos son particularmente vulnerables.

Antes de comenzar cualquier proceso de eliminación de pintura, debe determinar si la pintura que está quitando contiene plomo. Esto puede hacerlo su departamento de salud local o un profesional que use un analizador de pintura para verificar el contenido de plomo de la pintura que se va a quitar. **LA PINTURA A BASE DE PLOMO DEBERÁ SER REMOVIDA ÚNICAMENTE POR UN PROFESIONAL, Y NO DEBE QUITARSE CON UNA PISTOLA DE CALOR.**

Las personas que remuevan pintura deberán seguir estos lineamientos:

1. Saque la pieza de trabajo a exteriores. Si esto no es posible, mantenga el área de trabajo bien ventilada. Abra las ventanas y ponga un ventilador de extracción en una de estas. Asegúrese de que el ventilador mueva el aire de adentro hacia afuera.
2. Quite o cubra las alfombras, tapetes, muebles, ropa, utensilios de cocina y conductos de aire.
3. Coloque telas protectoras en el área de trabajo para atrapar cualquier cáscara o desprendimiento de pintura. Use ropa protectora como camisas de trabajo extra, overoles y gorras.
4. Trabaje en una habitación a la vez. El mobiliario debe quitarse o colocarse en el centro de la habitación y cubrirse. Las áreas de trabajo deben sellarse del resto de la vivienda sellando las puertas con telas protectoras.
5. Los niños, las mujeres embarazadas o potencialmente embarazadas y las madres lactantes no deben estar presentes en el área de trabajo hasta que se termine el trabajo y se complete toda la limpieza.
6. Use una mascarilla de respiración para polvo o una mascarilla de respiración de filtro doble (polvo y humo) que haya sido aprobada por la Administración de Seguridad y Salud Ocupacional (OSHA), el Instituto Nacional de Seguridad y Salud (NIOSH) o la Oficina de Minas de los Estados Unidos. Estas mascarillas y filtros reemplazables están disponibles en las principales ferreterías. Asegúrese de que la mascarilla le queda. Las barbas y el vello facial podrían impedir que las mascarillas sellen correctamente. Cambie frecuentemente los filtros. **LAS MASCARILLAS DE PAPEL DESECHABLE NO SON ADECUADAS.**
7. Tenga precaución al operar la pistola de calor. Mantenga la pistola de calor en movimiento, ya que el calor excesivo generará vapores que el operador podría inhalar.
8. Mantenga la comida y bebida lejos del área de trabajo. Lávese las manos, los brazos y la cara, y enjuáguese la boca antes de comer o beber. No fume o mastique goma de mascar o tabaco en el área de trabajo.
9. Limpie toda la pintura y polvo removidos al trapear en húmedo los pisos. Utilice un paño húmedo para limpiar todas las paredes, umbrales y cualquier otra superficie donde se adhiera pintura o polvo. **NO BARRA, SEQUE POLVO O LO ASPIRE.** Use un detergente con alto contenido de fosfato o fosfato trisódico (TSP) para lavar y trapear las áreas.

10. Al final de cada sesión de trabajo, coloque las virutas de pintura y los escombros en una bolsa de plástico doble, ciérrala con cinta adhesiva o seguro de alambre, y deséchela correctamente.
11. Quítese la ropa protectora y los zapatos de trabajo en el área de trabajo para evitar llevar polvo al resto de la vivienda. Lave las prendas de trabajo por separado. Limpie los zapatos con un trapo húmedo, que luego se lava con la ropa de trabajo. Lave el cabello y el cuerpo profusamente con agua y jabón.

GUARDE ESTAS INSTRUCCIONES

- Una batería se recargará solo con el cargador especificado para la batería. Un cargador que sea adecuado para un tipo de batería puede generar un riesgo de incendio al usarse con una batería distinta.
- Utilice la pistola de calor a batería solamente con el paquete de baterías designado específicamente para ello. El uso de cualquier otro tipo de baterías podría generar un riesgo de incendio.
- Cuando no se esté usando el paquete de batería, manténgalo alejado de otros objetos metálicos, como sujetapapeles (clips), monedas, llaves, clavos, tornillos u otros objetos pequeños de metal que puedan crear una conexión entre una terminal y otra. Causar un cortocircuito en las terminales de la batería podría causar chispas, quemaduras o un incendio.
- Nunca incinere esta pistola de calor, incluso en el caso de que esté dañada seriamente. Las baterías pueden explotar si se tiran al fuego.
- Este aparato no está diseñado para ser utilizado por personas (incluidos niños) con capacidades físicas, sensoriales o mentales reducidas o con falta de experiencia y conocimientos, a no ser que una persona responsable de su seguridad les supervise o les enseñe el uso seguro del aparato. Hay que asegurarse de que los niños no jueguen con el aparato.
- Tenga cuidado al utilizar el aparato en lugares donde haya materiales combustibles;
 - Tenga en cuenta que el calor puede conducirse a materiales combustibles que estén fuera de la vista;
 - Cuando trabaje en estos lugares, mantenga la pistola de calor moviéndose hacia adelante y hacia atrás. Si se demora o se detiene en un lugar, se podría encender el panel o el material que se encuentre detrás.
- No exponga las herramientas eléctricas a la lluvia ni a condiciones húmedas. La entrada de agua en una herramienta eléctrica aumentará el riesgo de que se produzca una descarga eléctrica.
- No utilice la herramienta donde no alcance. Mantenga los pies sobre suelo firme y el equilibrio en todo momento. Esto permite un mejor control de la herramienta eléctrica en situaciones inesperadas.
- No la aplique en el mismo lugar durante mucho tiempo.

Advertencias de seguridad para la pistola de calor inalámbrica

1. **EL uso inadecuado de la pistola de calor puede ocasionar un riesgo de incendio.**
2. **No utilice esta herramienta como una secadora de cabello.**
3. **Nunca deje la pistola de calor desatendida cuando está funcionando.**
4. **No utilice la pistola de calor en un entorno húmedo, inflamable o explosivo.**
5. **Verifique el área de trabajo antes de la operación. No utilice la herramienta si no se confirma la seguridad.**
6. **Mantenga el área de trabajo con suficiente ventilación de aire.** Podría generarse humo venenoso cuando se trabaje con algunos materiales.
7. **Mientras la pistola de calor esté funcionando o poco después de que se apague, no toque la boquilla o el accesorio adjunto a la boquilla, ya que se ha calentado mucho. Espere hasta que la boquilla o el accesorio se haya enfriado por completo.**
8. **No mire hacia abajo dentro de la boquilla de la pistola de calor cuando esté funcionando.**
9. **No permita que la boquilla caliente de la pistola de calor toque ningún objeto o material que sea inflamable o que se derrita o se dañe fácilmente por el calor cuando la pistola de calor esté funcionando, o poco después de apagarse.**
10. **Al instalar o quitar la boquilla, deje que la boquilla se enfríe lo suficiente.**
11. **Después de su uso, deje que la herramienta se sostenga por sí sola, o coloque la boquilla de calentamiento hacia arriba antes de enfriarla.**
12. **Apague siempre la pistola de calor, desconecte la fuente de alimentación y deje que se enfríe completamente antes de moverla o almacenarla.**
13. **Nunca obstruya la entrada de aire o la ventilación de aire de ninguna forma.** De lo contrario, la pistola de calor podría calentarse demasiado y dañarse.
14. **No permita que ningún objeto caiga dentro de la boquilla de la pistola de calor.** Podría ocasionar un corto circuito o sobrecalentamiento.
15. **Nunca apunte la pistola de calor hacia otras personas u objetos inflamables.**
16. **Caliente lentamente mientras mueve la pistola de calor hacia arriba, hacia abajo, hacia la izquierda y hacia la derecha. No la aplique en el mismo lugar durante mucho tiempo.**
17. **Limpie la pintura de la boquilla; podría encenderse.**
18. **Cuando se utiliza con la herramienta se sostiene por sí sola; coloque la herramienta en la posición estable.**
19. **Cuando utilice la herramienta con accesorios, asegúrese de que los accesorios estén firmemente sujetos a la herramienta.**
20. **Utilice accesorios auténticos de Makita.**
21. **No tome la herramienta como una sopladora.**

22. **Indicación: La batería tiene carga parcial cuando se entrega. La batería debe estar completamente cargada para garantizar la energía de la batería antes de su primer uso. El paquete de batería debe retirarse de la herramienta para cargarlo.**
23. **La batería se puede cargar en cualquier momento, lo que no acortará su vida útil. Cualquier interrupción durante la carga tampoco dañará la batería.**

Advertencias de seguridad para herramientas a batería

Uso y cuidado de una herramienta a batería

1. **Evite una puesta en marcha accidental. Asegúrese de que el interruptor esté en la posición apagada antes de conectar el paquete de baterías, levantar la herramienta o cargarla.** Transportar la herramienta con su dedo en el interruptor o enchufarla con el interruptor encendido podría ocasionar accidentes.
2. **Desconecte el paquete de baterías de la herramienta antes de hacer cualquier ajuste, cambiar accesorios o almacenar la herramienta.** Tales medidas de seguridad preventivas reducirán el riesgo de poner en marcha la herramienta de forma accidental.
3. **Recargue sólo con el cargador especificado por el fabricante.** Un cargador que es adecuado para un solo tipo de batería puede generar riesgo de incendio al ser utilizado con otra batería.
4. **Utilice las herramientas eléctricas solamente con las baterías designadas específicamente para ellas.** La utilización de cualquier otra batería puede crear un riesgo de lesiones o incendio.
5. **Cuando no se esté usando la batería, manténgala alejada de otros objetos metálicos, como sujetapapeles (clips), monedas, llaves, clavos, tornillos u otros objetos pequeños de metal los cuales pueden actuar creando una conexión entre las terminales de la batería.** Originar un cortocircuito en las terminales puede causar quemaduras o incendios.
6. **En condiciones abusivas, podrá escapar líquido de la batería; evite tocarlo. Si lo toca accidentalmente, enjuague con agua. Si hay contacto del líquido con los ojos, busque asistencia médica.** Puede que el líquido expulsado de la batería cause irritación o quemaduras.
7. **No utilice una herramienta ni una batería que estén dañadas o hayan sido modificadas.** Las baterías dañadas o modificadas podrían ocasionar una situación inesperada provocando un incendio, explosión o riesgo de lesiones.
8. **No exponga la herramienta ni la batería al fuego ni a una temperatura excesiva.** La exposición al fuego o a una temperatura superior a los 130 °C podría causar una explosión.
9. **Siga todas las instrucciones para la carga y evite cargar la herramienta o la batería fuera del rango de temperatura especificado en las instrucciones.** Una carga inadecuada o a una temperatura fuera del rango especificado podría dañar la batería e incrementar el riesgo de incendio.

10. Pida que el servicio lo realice un técnico en reparaciones calificado y que utilice únicamente piezas de repuesto idénticas a las originales. Esto garantizará que se mantenga la seguridad del producto.
11. No modifique ni intente reparar la herramienta ni el paquete de baterías salvo como se indique en las instrucciones para el uso y cuidado.

Instrucciones importantes de seguridad para el cartucho de batería

1. Antes de utilizar el cartucho de batería, lea todas las instrucciones e indicaciones de precaución en el (1) el cargador de batería, (2) la batería, y (3) el producto con el que se utiliza la batería.
2. No desarme ni modifique el cartucho de batería. Podría ocurrir un incendio, calor excesivo o una explosión.
3. Si el tiempo de operación se ha acortado en exceso, deje de operar de inmediato. Podría correrse el riesgo de sobrecalentamiento, posibles quemaduras e incluso explosión.
4. En caso de que ingresen electrolitos en sus ojos, enjuáguelos bien con agua limpia y consulte de inmediato a un médico. Esto podría ocasionar pérdida de visión.
5. Evite cortocircuitar el cartucho de batería:
 - (1) No toque las terminales con ningún material conductor.
 - (2) Evite guardar el cartucho de batería en un cajón junto con otros objetos metálicos, tales como clavos, monedas, etc.
 - (3) No exponga el cartucho de batería al agua o la lluvia.

Un cortocircuito en la batería puede causar un flujo grande de corriente, sobrecalentamiento, posibles quemaduras e incluso una descompostura.

6. No guarde ni utilice la herramienta y el cartucho de batería en lugares donde la temperatura pueda alcanzar o exceder los 50 °C (122 °F).
7. Nunca incinere el cartucho de batería incluso en el caso de que esté dañado seriamente o ya no sirva en absoluto. El cartucho de batería puede explotar si se tira al fuego.
8. No clave, corte, aplaste, lance o deje caer el cartucho de batería, ni golpee un objeto sólido contra el cartucho de batería. Dicha acción podría resultar en un incendio, calor excesivo o en una explosión.
9. No use una batería dañada.
10. Las baterías de ión de litio están sujetas a los requisitos reglamentarios en materia de bienes peligrosos.

Para el transporte comercial, por ej., mediante terceros o agentes de transporte, se deben tomar en cuenta los requisitos especiales relativos al empaque y el etiquetado.

Para efectuar los preparativos del artículo que se va a enviar, se requiere consultar a un experto en materiales peligrosos. Si es posible, consulte además otras regulaciones nacionales más detalladas. Pegue o cubra con cinta adhesiva los contactos abiertos y empaque la batería de manera que ésta no pueda moverse dentro del paquete.

11. Para deshacerse del cartucho de batería, sáquelo de la herramienta y deséchelo en un lugar seguro. Siga las regulaciones locales relacionadas al desecho de las baterías.
12. Utilice las baterías únicamente con los productos especificados por Makita. Instalar las baterías en productos que no cumplan con los requisitos podría ocasionar un incendio, un calentamiento excesivo, una explosión o una fuga de electrolito.
13. Si no se utiliza la herramienta por un período largo, debe extraerse la batería de la herramienta.
14. El cartucho de batería podría absorber calor durante y después de su uso, lo que ocasionaría quemaduras o quemaduras a baja temperatura. Tenga cuidado con la manipulación de los cartuchos de batería que estén calientes.
15. No toque el terminal de la herramienta inmediatamente después de su uso, ya que el mismo podría estar lo suficientemente caliente como para provocarle quemaduras.
16. No permita que las rebabas, el polvo o la tierra queden atrapados en los terminales, orificios y ranuras del cartucho de batería. Podría provocar calentamiento, incendio, explosión y mal funcionamiento de la herramienta o del cartucho de batería, lo que resultaría en quemaduras o lesiones personales.
17. No utilice el cartucho de batería cerca de cables eléctricos de alto voltaje, a menos que la herramienta sea compatible con el uso cercano a estos cables eléctricos de alto voltaje. Esto podría ocasionar una avería o descompostura de la herramienta o del cartucho de batería.
18. Mantenga la batería alejada de los niños.

GUARDE ESTAS INSTRUCCIONES.

⚠PRECAUCIÓN: Utilice únicamente baterías originales de Makita. El uso de baterías no originales de Makita, o de baterías alteradas, puede ocasionar que las baterías exploten causando un incendio, lesiones personales y daños. Asimismo, esto invalidará la garantía de Makita para la herramienta y el cargador Makita.

Consejos para alargar al máximo la vida útil de la batería

1. Cargue el cartucho de batería antes de que se descargue completamente. Pare siempre la operación y cargue el cartucho de batería cuando note menos potencia en la herramienta.
2. No cargue nunca un cartucho de batería que esté completamente cargado. La sobrecarga acortará la vida de servicio de la batería.
3. Cargue el cartucho de batería a una temperatura ambiente de 10 °C - 40 °C (50 °F - 104 °F). Si un cartucho de batería está caliente, déjelo enfriar antes de cargarlo.
4. Cuando no utilice el cartucho de batería, sáquelo de la herramienta o del cargador.
5. Cargue el cartucho de batería si no va a utilizarlo durante un período prolongado (más de seis meses).

LISTA DE CONTENIDO DEL PAQUETE

Verifique que el paquete incluya los artículos enunciados a continuación.

- 1 Pistola de calor inalámbrica
- 1 Conjunto de accesorios (es posible que algunos accesorios no sean necesarios según su propósito).
- 1 Manual de instrucciones

NOTA: Comuníquese con su distribuidor cuando falten piezas o estén dañadas.

DESCRIPCIÓN DE LAS PIEZAS

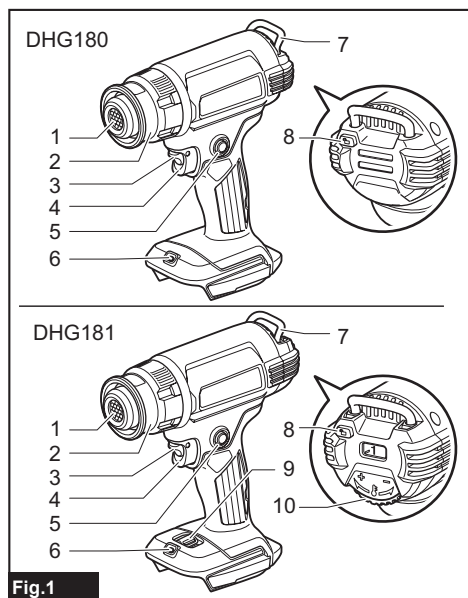


Fig.1

1	Boquilla de calentamiento	2	Cubierta delantera
3	Palanca de desbloqueo	4	Gatillo interruptor
5	Botón de bloqueo	6	Luz LED
7	Gancho	8	Botón de liberación de gancho
9	Interruptor de volumen de aire (1/2)	10	Selector de temperatura

MONTAJE

Colocación y separación de los accesorios


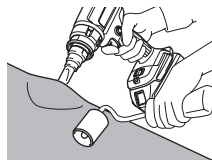

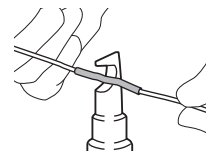
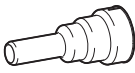
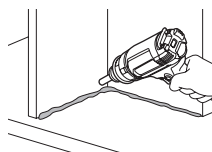
La pistola de calor se puede usar con accesorio o sin los accesorios, de acuerdo con varios propósitos de calentamiento.

Colocación del accesorio

- Elija la boquilla adecuada según las aplicaciones de calentamiento.
- Empuje el extremo de conexión de la boquilla sobre la boquilla de calentamiento.

MONTAJE DEL ACCESORIO CORRECTO (SI CORRESPONDE)

Forma y descripción	Ejemplo
Boquilla de protección de vidrio Protege las ventanas cuando desprende marcos	Secado de masilla del marco de la ventana Quitar masilla del marco de la ventana con el raspador (accesorio opcional)
Boquilla de hendidura ancha Para calentamiento disperso sobre un área más amplia	Empaquetado térmico para películas termorretráctiles
Boquilla reflectora	Termoretracción para tubos termorretráctiles Doblado de tubos de resina
Boquilla de reducción Para calentamiento concentrado sobre un área pequeña	Desprendimiento de pintura con el raspador (accesorio opcional)

<p>Boquilla para soldadura sobrepuesta (Accesorio opcional)</p> 	<p>Parchado de una hoja de vinilo con el rodillo de presión (accesorio opcional)</p> 
<p>Reflector de manguitos de soldadura (Accesorio opcional)</p> 	<p>Termorretracción para tubos termorretráctiles</p> 
<p>Boquilla para soldadura (Accesorio opcional)</p> 	<p>Para calentamiento concentrado sobre un área pequeña</p> 

⚠ADVERTENCIA: Asegúrese de que la herramienta eléctrica esté apagada y el cartucho de batería se haya extraído de la herramienta eléctrica antes de colocar los accesorios. La instalación de los accesorios con el interruptor encendido o el cartucho de batería conectado podría provocar el riesgo de accidentes.

⚠ADVERTENCIA: Asegúrese de colocar los accesorios de forma segura. De lo contrario, el accesorio podría caerse accidentalmente y provocar quemaduras.

Separación del accesorio

Gire la cubierta delantera en la dirección de la flecha en la ilustración; el accesorio será expulsado. Esto le permite quitar las boquillas sin tocarlas mientras aún están calientes.

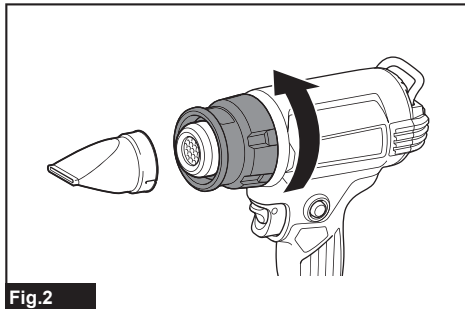


Fig.2

⚠ADVERTENCIA: No toque el accesorio colocado o expulsado de la pistola de calor inmediatamente después de su uso. No expulse el accesorio en dirección de ninguna persona o animal. El accesorio de la boquilla se calienta mucho después de su uso, y podría causar riesgo de lesión por quemaduras.

⚠ADVERTENCIA: No expulse el accesorio hacia ninguna superficie que sea inflamable o fácil de derretir. El accesorio de la boquilla se calienta mucho después de su uso, y podría causar riesgo de incendio o de fundir la superficie.

⚠ADVERTENCIA: Utilice los accesorios idénticos incluidos en el paquete original o reparados por el distribuidor o centro de servicio. El uso de un accesorio incorrecto o defectuoso podría hacer que el aire caliente fluya hacia atrás y dañe la herramienta y genere un peligro.

Instalación o extracción del cartucho de batería

⚠PRECAUCIÓN: Apague siempre la herramienta antes de colocar o quitar el cartucho de batería.

⚠PRECAUCIÓN: Sujete la herramienta y el cartucho de la batería con firmeza al colocar o quitar el cartucho de batería. Si no se sujeta con firmeza la herramienta y el cartucho de batería, puede ocasionar que se resbalen de sus manos causando daños a la herramienta y al cartucho de batería, así como lesiones a la persona.

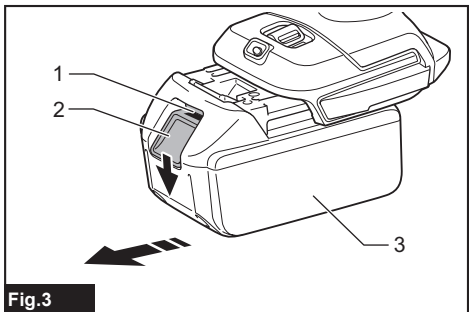


Fig.3

► 1. Indicador rojo 2. Botón 3. Cartucho de batería

Para quitar el cartucho de batería, deslícelo de la herramienta mientras desliza el botón sobre la parte delantera del cartucho.

Para instalar el cartucho de batería, alinee la lengüeta sobre el cartucho de batería con la ranura en la carcasa y deslícela hasta su lugar. Insértelo por completo hasta que se fije en su lugar con un pequeño clic. Si puede ver el indicador rojo como se muestra en la ilustración, este no ha quedado asegurado por completo.

⚠PRECAUCIÓN: Introduzca siempre completamente el cartucho de batería hasta que el indicador rojo no pueda verse. Si no, podría accidentalmente salirse de la herramienta y caer al suelo causando una lesión a usted o alguien a su alrededor.

⚠PRECAUCIÓN: No instale el cartucho de batería a la fuerza. Si el cartucho no se desliza al interior fácilmente, se debe a que no está siendo insertado correctamente.

OPERACIÓN

NOTA: Al usar la pistola de calor por primera vez, podría despedirse algo de humo de la boquilla. Esto es normal, y disminuirá pronto.

Encendido y apagado

Encendido

- Tire de la palanca de desbloqueo hacia abajo, y apriete el gatillo interruptor para encender la herramienta.
- Presione el botón de bloqueo de la izquierda con el pulgar para mantener la herramienta en funcionamiento.

Apagado

- Para detenerla, suelte el gatillo interruptor.
- Para detener la herramienta desde la posición bloqueada, jale completamente el gatillo interruptor para desbloquearlo. Para detenerla, suelte el gatillo interruptor.

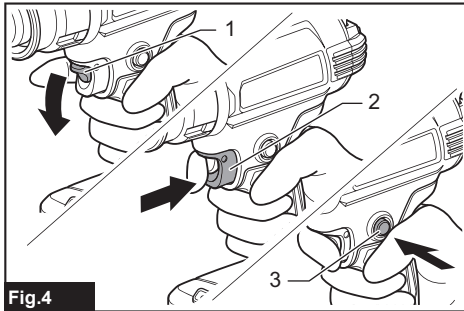


Fig.4

- ▶ 1. Palanca de desbloqueo 2. Gatillo interruptor
- ▶ 3. Botón de bloqueo

Ajuste de temperatura (DHG181)

La temperatura se puede ajustar girando el selector de temperatura. El selector está marcado de 1 (temperatura más baja) a 6 (temperatura más alta). Ajústelo a la temperatura adecuada para sus aplicaciones. La siguiente tabla sugiere configuraciones para diferentes aplicaciones.

Ajuste	Aplicaciones
1 (la temperatura ambiente)	Enfriamiento de las partes calientes.
	Enfriamiento de las máquinas antes de cambiar la boquilla.
2 - 6	Secado de pintura y barniz.
	Remoción de calcomanías.
	Aplicación de cera y remoción de cera.
	Termorretracción de envolturas de PVC y de tubos de aislamiento.
	Descongelamiento de tubos congelados.
	Soldadura de plásticos.
	Doblado de tubos y láminas de plástico.

Ajuste del volumen de aire (DHG181)

El volumen de aire se puede ajustar cambiando el interruptor de volumen de aire a la posición 1 o 2.

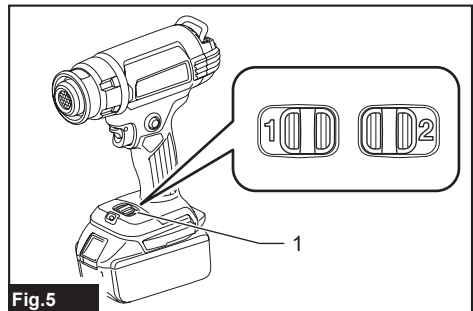


Fig.5

- ▶ 1. Interruptor de volumen de aire (1/2)

Utilizar la herramienta sostenida por sí sola

Esta herramienta se puede utilizar en posición vertical o con la boquilla de calor hacia arriba, como se muestra en la figura.

Cuando se utiliza la herramienta sostenida por sí sola: encienda el interruptor y oprima el botón de bloqueo para que la herramienta siga funcionando.

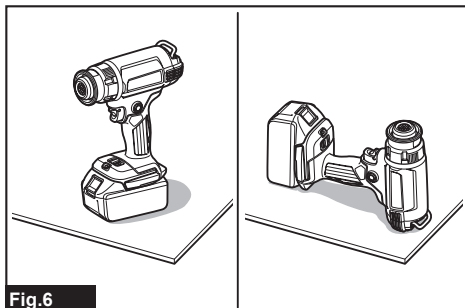


Fig.6

⚠ ADVERTENCIA: Utilice solamente la herramienta en cualquiera de estas posiciones como se muestra. Apague el interruptor antes de poner la herramienta en otras posiciones.

⚠ PRECAUCIÓN: Cuando se utiliza la herramienta sostenida por sí sola: coloque la herramienta en la posición estable. Usar la herramienta en un lugar inestable o en un lugar con pendiente podría hacer que la herramienta cayera y causar lesiones.

Enfriamiento

La boquilla de calentamiento y los accesorios se calentaron mucho durante el uso. Déjelos enfriar antes de intentar mover o almacenar la herramienta.

⚠ PRECAUCIÓN: Después de su uso, no toque la boquilla hasta que haya tenido tiempo de enfriarse.

⚠ PRECAUCIÓN: No abandone el área de trabajo hasta que la herramienta se haya enfriado. Esté alerta a las indicaciones de fuego oculto. Deje que la herramienta se enfríe, luego límpiela y guárdela en el interior fuera del alcance de los niños.

DESCRIPCIÓN DEL FUNCIONAMIENTO

Luz LED

⚠ PRECAUCIÓN: No mire a la luz ni vea a la fuente de luz directamente.

Jale el gatillo interruptor para encender la luz. La luz continúa iluminándose mientras se está jalando el gatillo interruptor. La luz se apaga aproximadamente 10 segundos tras haber liberado el gatillo interruptor.

NOTA: Utilice un paño seco para quitar la suciedad de la lente de la lámpara. Tenga cuidado de no rayar la lente de la lámpara ya que la iluminación podría disminuir.

Gancho

El gancho le permite colgar la herramienta en el lugar que usted seleccione.

1. Presione el botón de liberación de gancho.
2. Gire el gancho hacia afuera.

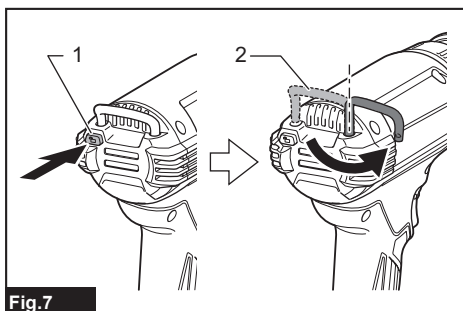


Fig.7

- 1. Botón de liberación de gancho 2. Gancho

Para guardar el gancho, colóquelo en la posición original y luego empújelo en la herramienta hasta que haga clic.

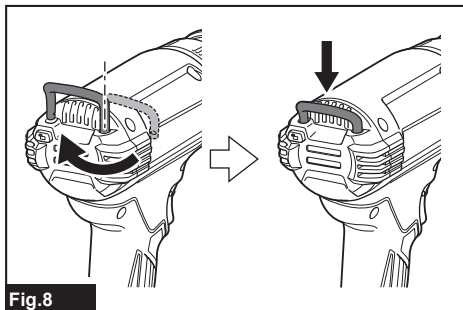


Fig.8

Sistema de protección para la herramienta/batería

La herramienta está equipada con un sistema de protección para la herramienta/batería. Este sistema corta en forma automática el suministro de energía al motor para prolongar la vida útil de la herramienta y la batería. La herramienta se detendrá automáticamente durante la operación si la herramienta o la batería se someten a una de las siguientes condiciones. En algunas condiciones, los indicadores pueden encenderse.

Protección contra sobredescarga

Cuando la capacidad de la batería se reduce, la herramienta se detiene automáticamente. Si el producto no funciona incluso cuando los interruptores están siendo operados, retire las baterías de la herramienta y cárguelas.

Protección contra otras causas

El sistema de protección también está diseñado para otras causas que podrían dañar la herramienta, y permite que la herramienta se detenga automáticamente. Siga todos los pasos a continuación para eliminar las causas cuando la herramienta se haya detenido temporalmente o se haya detenido durante el funcionamiento.

1. Apague la herramienta, y luego enciéndala nuevamente para reiniciarla.
2. Cargue la(s) batería(s) o reemplácela(s) con batería(s) recargada(s).
3. Deje que la herramienta y la(s) batería(s) se enfríen.

Si no hay ninguna mejora al restaurar el sistema de protección, comuníquese con su centro local de servicio Makita.

Indicación de la capacidad restante de la batería

Únicamente para cartuchos de batería con el indicador

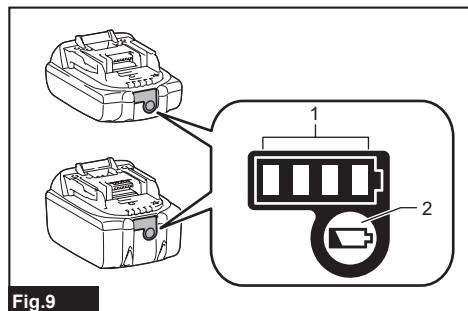


Fig.9

► 1. Luces indicadoras 2. Botón de verificación

Oprima el botón de verificación en el cartucho de la batería para que indique la capacidad restante de la batería. Las luces indicadoras se iluminarán por algunos segundos.

Luces indicadoras			Capacidad restante
Iluminadas	Apagadas	Parpadeando	
■ ■ ■ ■	□ □ □ □	▬	75% a 100%
■ ■ ■ □	□ □ □ □	□	50% a 75%
■ ■ □ □	□ □ □ □	□ □	25% a 50%
■ □ □ □	□ □ □ □	□ □ □	0% a 25%
▬ □ □ □	□ □ □ □	□ □ □ □	Cargar la batería.
■ ■ □ □	□ □ □ □	□ □ □ □	La batería pudo haber funcionado mal.
□ □ □ □	■ ■ ■ ■	□ □ □ □	

NOTA: Dependiendo de las condiciones de uso y la temperatura ambiente, la indicación podrá diferir ligeramente de la capacidad real.

NOTA: La primera luz indicadora (extrema izquierda) parpadeará cuando el sistema de protección de batería esté en funcionamiento.

MANTENIMIENTO

PRECAUCIÓN: Asegúrese siempre de que la herramienta esté apagada y el cartucho de batería extraído antes de intentar realizar una inspección o mantenimiento.

AVISO: Nunca use gasolina, bencina, diluyente (tiner), alcohol o sustancias similares. Puede que esto ocasione grietas o descoloramiento.

Para mantener la SEGURIDAD y FIABILIDAD del producto, las reparaciones, y cualquier otra tarea de mantenimiento o ajuste deberán ser realizadas en centros de servicio autorizados o de fábrica Makita, empleando siempre repuestos Makita.

La herramienta ha sido diseñada para funcionar durante un largo período con un mínimo de mantenimiento. El funcionamiento satisfactorio continuo depende del cuidado adecuado y la limpieza regular de la herramienta.

Lubricación

Este producto no necesita lubricación.

Limpieza

- Mantenga las aberturas de ventilación y el gatillo interruptor limpios y libres de materiales extraños.
- Limpie la herramienta con un paño suave periódicamente y preferiblemente después de cada uso.

ACCESORIOS OPCIONALES

⚠PRECAUCIÓN: Estos accesorios o aditamentos están recomendados para utilizarse con su herramienta Makita especificada en este manual.

El empleo de cualquier otro accesorio o aditamento puede conllevar el riesgo de lesiones personales.

Utilice los accesorios o aditamentos solamente para su fin establecido.

Si necesita cualquier ayuda para más detalles en relación con estos accesorios, pregunte a su centro de servicio local Makita.

- Boquilla
- Rodillo de presión
- Raspador
- Batería y cargador originales de Makita

NOTA: Algunos de los artículos en la lista pueden incluirse en el paquete de la herramienta como accesorios estándar. Éstos pueden variar de país a país.

GARANTÍA LIMITADA DE MAKITA

Ésta Garantía no aplica para México

Consulte la hoja de la garantía anexa para ver los términos más vigentes de la garantía aplicable a este producto. En caso de no disponer de esta hoja de garantía anexa, consulte los detalles sobre la garantía descritos en el sitio web de su país respectivo indicado a continuación.

Estados Unidos de América: www.makitatools.com

Canadá: www.makita.ca

Otros países: www.makita.com

Makita Corporation
3-11-8, Sumiyoshi-cho,
Anjo, Aichi 446-8502 Japan
www.makita.com

DHG180-NA3-2106 DHG180-1 EN, FRCA, ESMX 20210819
