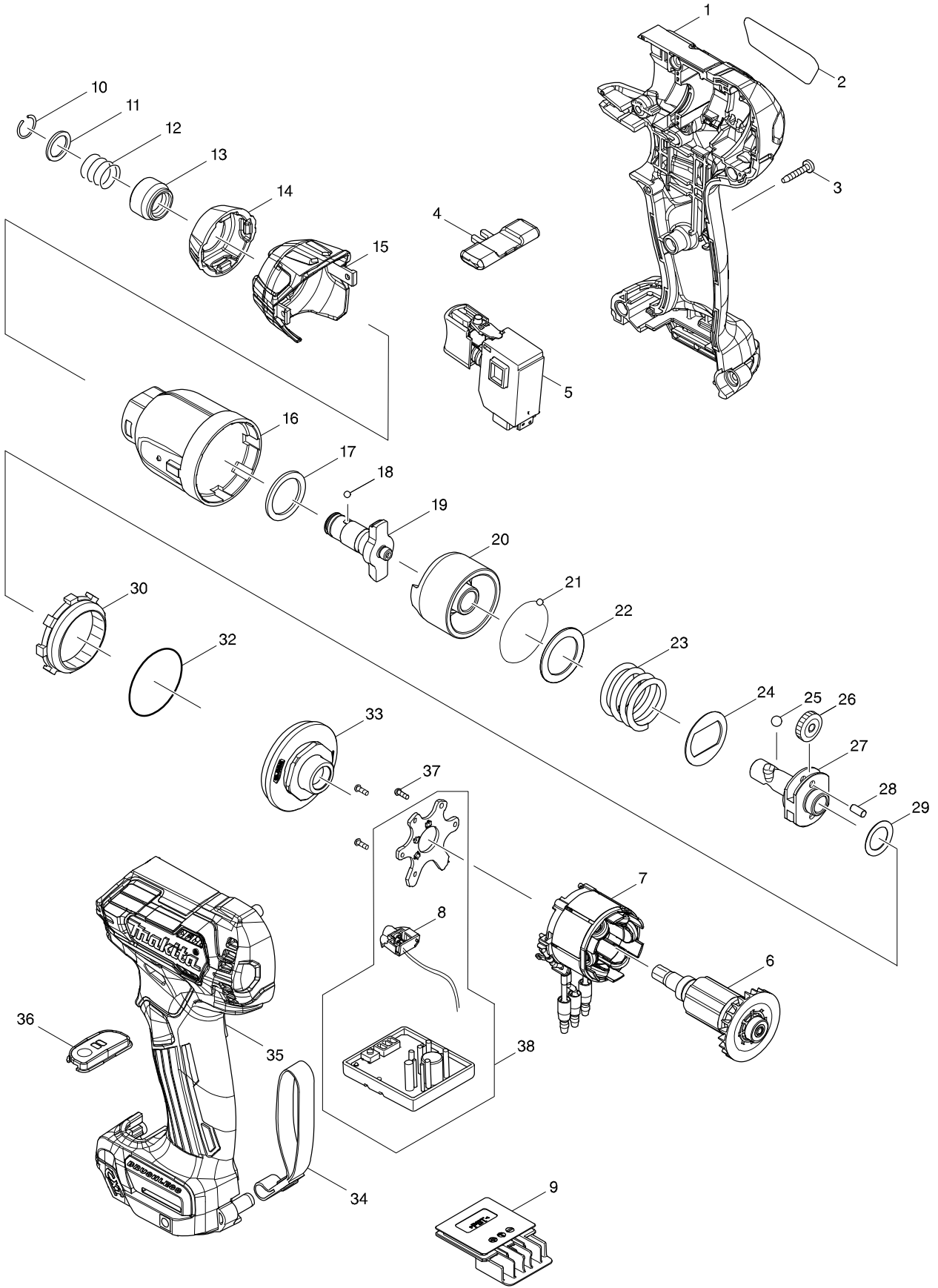


# Model No. TD111D CORDLESS IMPACT DRIVER



# Model No. TD111D CORDLESS IMPACT DRIVER

Item	Parts No.	Description	I/C	Qty	N/O	Opt. 1	Opt. 2	Note
001	183E65-8	HOUSING SET		1				
C10	252126-6	HEX. LOCKING NUT M4-7		2				
D10		INC. 35						
002	852P37-7	TD111D NAME PLATE		1				
003	266429-2	TAPPING SCREW 3X16		9				
004	455053-8	F/R CHANGE LEVER		1				
005	650689-0	SWITCH C3JW-2B		1				
006	619415-6	ROTOR		1				
007	629232-6	STATOR		1				
008	620553-9	LED CIRCUIT		1				
009	644813-5	TERMINAL		1				
010	231965-7	RING SPRING 10		1				
011	267143-3	FLAT WASHER 11		1				
012	233005-7	COMPRESSION SPRING 13		1				
013	326803-7	BIT SLEEVE		1				
014	424907-0	BUMPER		1				
015	457062-3	HAMMER CASE COVER		1				
016	144058-0	HAMMER CASE COMPLETE		1				
017	261159-0	NYLON WASHER 19		1				
018	216019-1	STEEL BALL 3		2				
019	326629-7	ANVIL N		1				
020	324894-2	HAMMER		1				
021	216019-1	STEEL BALL 3		24				
022	267380-9	FLAT WASHER 20		1				
023	232326-4	COMPRESSION SPRING 21		1				
024	267813-4	WASHER 21		1				
025	216002-8	STEEL BALL 4.8		2				
026	221437-0	SPUR GEAR 17		2				
027	324897-6	SPINDLE		1				
028	268217-3	PIN 3.5		2				
029	253052-2	FLAT WASHER 12		1				
030	227316-0	INTERNAL GEAR 43		1				
032	213479-8	O RING 33		1				
033	141893-7	BEARING BOX COMPLETE		1				
035	183E65-8	HOUSING SET		1				
C10	252126-6	HEX. LOCKING NUT M4-7		2				
D10		INC. 1						
036	144060-3	SWITCH PLATE COMPLETE		1				
037	266490-9	TAPPING SCREW PT 2X6		3				
038	620552-1	CONTROLLER		1				
D10		INC. 8						
A01	266622-8	+ TRUSS HEAD SCREW M4X12		1				
A02	346909-5	HOOK		1				
A03	784202-3	PHILLIPS BIT 2-45		1				
A04B	456128-6	BATTERY COVER		1				
A04C	456128-6	BATTERY COVER		1				
A04D	456128-6	BATTERY COVER		1				
A05B	***DC10SB	DC10SB BATTERY CHARGER		1				

