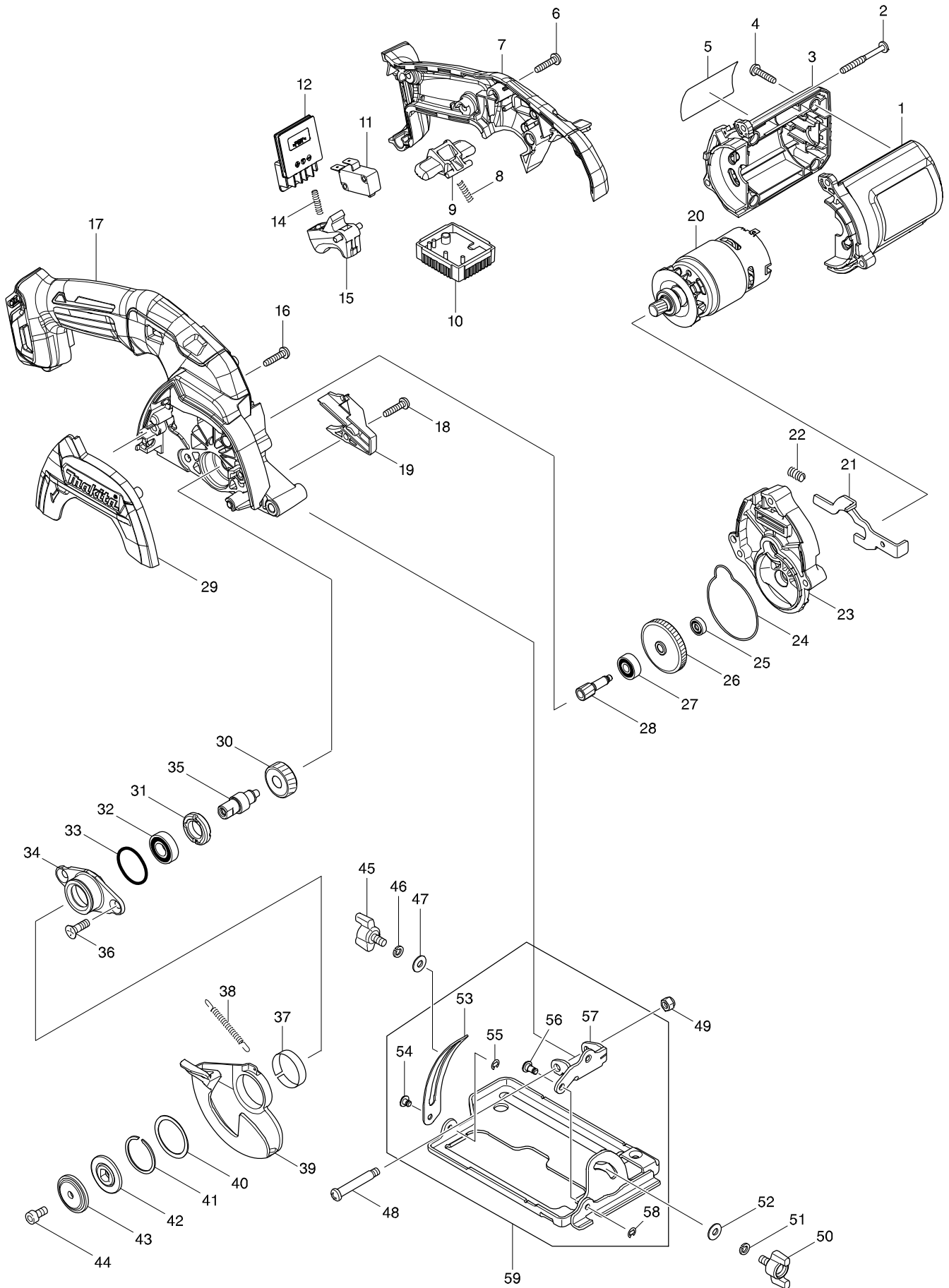


# Model No. HS301D 85MM CORDLESS CIRCULAR SAW



# Model No. HS301D 85MM CORDLESS CIRCULAR SAW

Item	Parts No.	Description	I/C	Qty	N/O	Opt. 1	Opt. 2	Note
001	188941-1	MOTOR HOUSING SET		1				
D10		INC. 3						
002	266560-4	TAPPING SCREW 4X40		3				
003	188941-1	MOTOR HOUSING SET		1				
D10		INC. 1						
004	265995-6	TAPPING SCREW 4X18		4				
005	851M09-1	HS301D NAME PLATE		1				
006	265995-6	TAPPING SCREW 4X18		6				
007	183C54-1	HANDLE SET		1				
C10	263002-9	RUBBER PIN 4		3				
C20	263005-3	RUBBER PIN 6		1				
C30	931102-0	HEX. NUT M4		1				
C40	931202-6	HEX. NUT M5		3				
D10		INC. 17						
008	231469-9	COMPRESSION SPRING 4		1				
009	419664-3	LOCK OFF LEVER		1				
010	632F84-2	CONTROLLER UNIT		1				
011	650577-1	SWITCH SD-006-BB2AA-AA		1				
012	644813-5	TERMINAL		1				
014	231469-9	COMPRESSION SPRING 4		1				
015	419665-1	SWITCH LEVER		1				
016	265995-6	TAPPING SCREW 4X18		2				
017	183C54-1	HANDLE SET		1				
C10	263002-9	RUBBER PIN 4		3				
C20	263005-3	RUBBER PIN 6		1				
C30	931102-0	HEX. NUT M4		1				
C40	931202-6	HEX. NUT M5		3				
D10		INC. 7						
018	265995-6	TAPPING SCREW 4X18		1				
019	452234-5	DUCT		1				
020	629885-1	DC MOTOR		1				
021	346337-4	SHAFT LOCK		1				
022	233117-6	COMPRESSION SPRING 6		1				
023	140625-9	GEAR HOUSING COMPLETE		1				
C10	213325-5	O RING 19		1				
024	424358-7	PACKING		1				
025	210036-3	BALL BEARING 604ZZ		1				
026	227737-6	HELICAL GEAR 47		1				
027	210028-2	BALL BEARING 606ZZ		1				
028	227735-0	HELICAL GEAR 9B		1				
029	456252-5	BLADE COVER		1				
030	227736-8	HELICAL GEAR 28		1				
031	285847-5	BEARING RETAINER 14-23		1				
032	210069-8	BALL BEARING 6900DDW		1				
033	213435-8	O RING 26		1				
034	318660-7	BEARING BOX		1				
035	325983-6	SPINDLE		1				
036	265034-2	+ COUNTERSUNK HEAD SCREW M5X		2				

# Model No. HS301D 85MM CORDLESS CIRCULAR SAW

Item	Parts No.	Description	I/C	Qty	N/O	Opt. 1	Opt. 2	Note
037	345470-9	THICKNESS RING		1				
038	231867-7	TENSION SPRING 4		1				
039	452236-1	SAFETY COVER		1				
040	267127-1	FLAT WASHER 26		1				
041	257938-2	RETAINING RING(EXT) WR-26		1				
042	224435-3	INNER FLANGE 28		1				
043	224177-9	OUTER FLANGE 28		1				
044	922212-4	HEX. SOCKET HEAD BOLT M5X12		1				
045	265760-3	THUMB SCREW M5X10		1				
046	942101-7	SPRING WASHER 5		1				
047	941101-4	FLAT WASHER 5		1				
048	265056-2	+ PAN HEAD SCREW M5		1				
049	252103-8	HEX. LOCK NUT M5-8		1				
050	265760-3	THUMB SCREW M5X10		1				
051	942101-7	SPRING WASHER 5		1				
052	941101-4	FLAT WASHER 5		1				
053	346338-2	DEPTH GUIDE		1				
054	268004-0	PIN 4		1				
055	961017-7	STOP RING E-3		1				
056	268028-6	PIN 5		1				
057	346339-0	ANGULAR GUIDE		1				
058	961017-7	STOP RING E-3		1				
059	135416-1	BASE ASSEMBLY		1				
D10		INC. 53-58						
A01	783202-0	HEX. WRENCH 4		1				
A02	B-14607	T.C.T. SAW BLADE 85X15X20T		1				
A03B	456128-6	BATTERY COVER		1				
A03C	456128-6	BATTERY COVER		1				
A03D	456128-6	BATTERY COVER		1				
A03E	456128-6	BATTERY COVER		1				
A04B	***DC10WD	DC10WD BATTERY CHARGER		1				
D10		COMPO-PARTS						
A04C	***DC10WD	DC10WD BATTERY CHARGER		1				
D10		COMPO-PARTS						
A04D	***DC10SB	DC10SB BATTERY CHARGER		1				
D10		COMPO-PARTS						
A04E	***DC10SB	DC10SB BATTERY CHARGER		1				
D10		COMPO-PARTS						
A05B	197396-9	BATTERY BL1021B SET		2				
A05C	197393-5	BATTERY BL1016 SET		2				
A05D	197396-9	BATTERY BL1021B SET		2				
A05E	197393-5	BATTERY BL1016 SET		2				
A06B	821663-7	PLASTIC CARRYING CASE		1				
C10	163455-1	LATCH		2				
A06C	821663-7	PLASTIC CARRYING CASE		1				
C10	163455-1	LATCH		2				
A06D	821663-7	PLASTIC CARRYING CASE		1				
C10	163455-1	LATCH		2				

