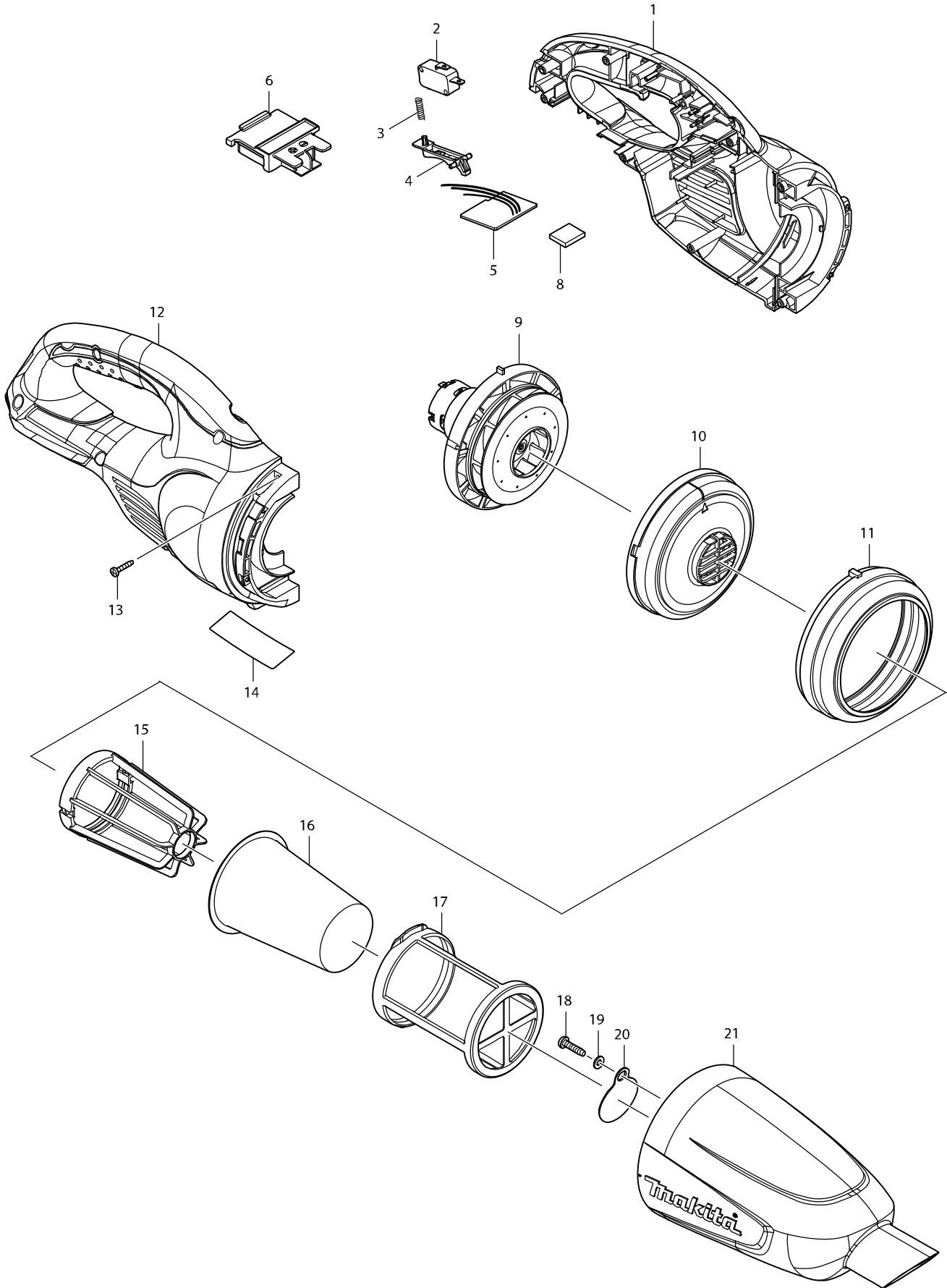


Model No. DCL180 CORDLESS CLEANER



Model No. DCL180 CORDLESS CLEANER

Item	Parts No.	Description	I/C	Qty	N/O	Opt. 1	Opt. 2	Note
C10	424209-4	SPONGE SHEET 50-50		2				
D10		INC. 12						
001B	187458-1	HOUSING SET		1				
001C	187458-1	HOUSING SET		1				
001D	183E54-3	HOUSING SET		1				
001E	183E54-3	HOUSING SET		1				
001F	187460-4	HOUSING SET		1				
001H	187460-4	HOUSING SET		1				
002	651891-8	SWITCH V-15-3A6		1				
003	231473-8	COMPRESSION SPRING 4		1				
004	451227-9	SWITCH LEVER		1				
005B	638936-9	CONTROLLER UNIT		1				
005C	638936-9	CONTROLLER UNIT		1				
005F	638936-9	CONTROLLER UNIT		1				
005H	638936-9	CONTROLLER UNIT		1				
005-1D	638936-9	CONTROLLER UNIT		1				
005-1E	638936-9	CONTROLLER UNIT		1				
006	643860-3	TERMINAL		1				
008	424248-4	SPONGE SHEET 15-25		1				
009	125867-6	MOTOR ASSY		1				
C10	452455-9	BASE		1				
C20	265199-0	+ PAN HEAD SCREW M3X8		2				
C30	240102-2	FAN 82		1				
010	416030-5	FAN COVER		1				
011	424320-2	RUBBER RING		1				
C10	424209-4	SPONGE SHEET 50-50		2				
D10		INC. 1						
012B	187458-1	HOUSING SET		1				
012C	187458-1	HOUSING SET		1				
012D	183E54-3	HOUSING SET		1				
012E	183E54-3	HOUSING SET		1				
012F	187460-4	HOUSING SET		1				
012H	187460-4	HOUSING SET		1				
013	266429-2	TAPPING SCREW 3X16		7				
014	815F73-4	DCL180 NAME PLATE		1				
015	410237-5	STAY		1				
016	443060-3	FILTER		1				
017	451208-3	PRE-FILTER		1				
018	265995-6	TAPPING SCREW 4X18		1				
019	941051-3	FLAT WASHER 4		1				
020	424208-6	VALVE		1				
021B	451235-0	CAPSULE		1				
021C	451235-0	CAPSULE		1				
021D	456196-9	CAPSULE		1				
021E	456196-9	CAPSULE		1				
021F	451226-1	CAPSULE		1				
021H	451226-1	CAPSULE		1				
022	424308-2	SPONGE SHEET 50-36		1				

Model No. DCL180 CORDLESS CLEANER

Item	Parts No.	Description	I/C	Qty	N/O	Opt. 1	Opt. 2	Note
023B	632H18-7	FUSE UNIT		1				
023C	632H18-7	FUSE UNIT		1				
023D	632H18-7	FUSE UNIT		1				
023E	632H18-7	FUSE UNIT		1				
023F	632H18-7	FUSE UNIT		1				
023H	632H18-7	FUSE UNIT		1				
A01B	122859-6	NOZZLE ASS'Y		1	*			
C10	451410-8	ROLLER		4	*			
C20	268208-4	PIN 3		4	*			
C30	424096-1	WIPER		1	*			
A01C	122859-6	NOZZLE ASS'Y		1	*			
C10	451410-8	ROLLER		4	*			
C20	268208-4	PIN 3		4	*			
C30	424096-1	WIPER		1	*			
A01-1B	123488-8	NOZZLE ASSEMBLY	<	1				
C10	451410-8	ROLLER		4				
C20	268208-4	PIN 3		4				
C30	424096-1	WIPER		1				
A01-1C	123488-8	NOZZLE ASSEMBLY	<	1				
C10	451410-8	ROLLER		4				
C20	268208-4	PIN 3		4				
C30	424096-1	WIPER		1				
A01-1D	123539-7	NOZZLE ASSEMBLY		1				
C10	451410-8	ROLLER		4				
C20	268208-4	PIN 3		4				
C30	424096-1	WIPER		1				
A01-1E	123539-7	NOZZLE ASSEMBLY		1				
C10	451410-8	ROLLER		4				
C20	268208-4	PIN 3		4				
C30	424096-1	WIPER		1				
A01-1F	123486-2	NOZZLE ASSEMBLY		1				
C10	451410-8	ROLLER		4				
C20	268208-4	PIN 3		4				
C30	424096-1	WIPER		1				
A01-1H	123486-2	NOZZLE ASSEMBLY		1				
C10	451410-8	ROLLER		4				
C20	268208-4	PIN 3		4				
C30	424096-1	WIPER		1				
A02B	451243-1	SASH NOZZLE		1				
A02C	451243-1	SASH NOZZLE		1				
A02D	456586-6	SASH NOZZLE		1				
A02E	456586-6	SASH NOZZLE		1				
A02F	451240-7	SASH NOZZLE		1				
A02H	451240-7	SASH NOZZLE		1				
A03B	451244-9	PIPE		1				
A03C	451244-9	PIPE		1				
A03D	456587-4	PIPE		1				
A03E	456587-4	PIPE		1				

