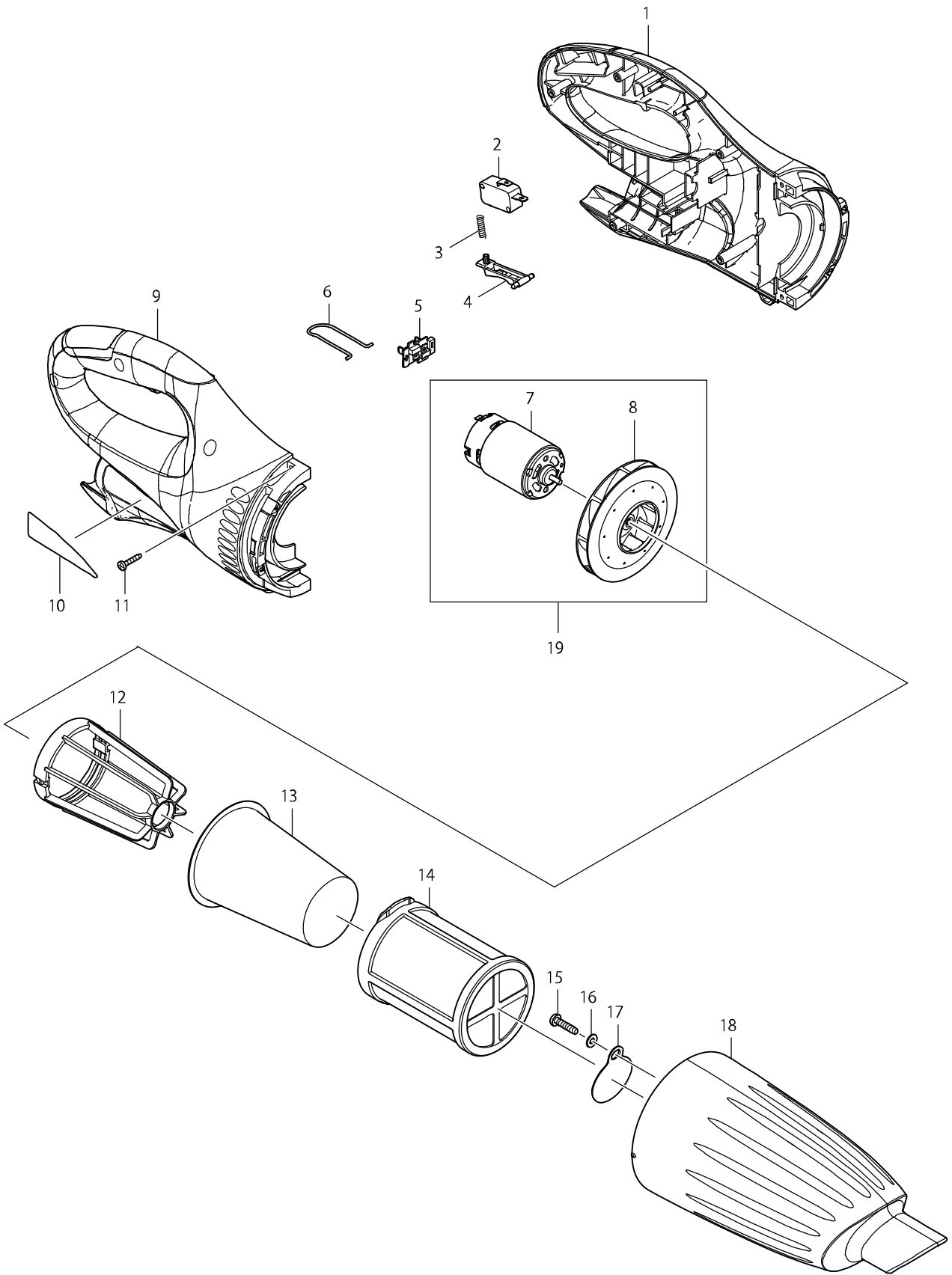


Model No. CL100D CORDLESS CLEANER



Model No. CL100D CORDLESS CLEANER

Item	Parts No.	Description	I/C	Qty	N/O	Opt. 1	Opt. 2	Note
001A	188688-7	HOUSING SET		1	*			
D10		INC. 9			*			
001B	188688-7	HOUSING SET		1	*			
D10		INC. 9			*			
001-1A	188977-0	HOUSING SET	<	1				
D10		INC. 9						
001-1B	188977-0	HOUSING SET	<	1				
D10		INC. 9						
001-1C	188976-2	HOUSING SET		1				
D10		INC. 9						
001-1D	188976-2	HOUSING SET		1				
D10		INC. 9						
002	651944-3	SWITCH DMC-1115-13		1				
003	231473-8	COMPRESSION SPRING 4		1				
004	451210-6	SWITCH LEVER		1				
005	643817-4	TERMINAL		1				
006	324885-3	HANGER		1				
007	629865-7	DC MOTOR		1				
008	240102-2	FAN 82		1				
009A	188688-7	HOUSING SET		1	*			
D10		INC. 1			*			
009B	188688-7	HOUSING SET		1	*			
D10		INC. 1			*			
009-1A	188977-0	HOUSING SET	<	1				
D10		INC. 1						
009-1B	188977-0	HOUSING SET	<	1				
D10		INC. 1						
009-1C	188976-2	HOUSING SET		1				
D10		INC. 1						
009-1D	188976-2	HOUSING SET		1				
D10		INC. 1						
010	866700-0	CL100D NAME PLATE		1				
011	266429-2	TAPPING SCREW 3X16		7				
012	410237-5	STAY		1				
013	443060-3	FILTER		1				
014	451208-3	PRE-FILTER		1				
015	265995-6	TAPPING SCREW 4X18		1				
016	941051-3	FLAT WASHER 4		1				
017	424208-6	VALVE		1				
018A	451207-5	CAPSULE		1				
018B	451207-5	CAPSULE		1				
018C	451465-3	CAPSULE		1				
018D	451465-3	CAPSULE		1				
019A	135405-6	MOTOR ASSEMBLY		1				
D10		INC. 7,8						
019B	135405-6	MOTOR ASSEMBLY		1				
D10		INC. 7,8						
019C	135405-6	MOTOR ASSEMBLY		1				

Model No. CL100D CORDLESS CLEANER

Item	Parts No.	Description	I/C	Qty	N/O	Opt. 1	Opt. 2	Note
D10		INC. 7,8						
019D	135405-6	MOTOR ASSEMBLY		1				
D10		INC. 7,8						
020A	632H17-9	FUSE UNIT		1				
020B	632H17-9	FUSE UNIT		1				
020C	632H17-9	FUSE UNIT		1				
020D	632H17-9	FUSE UNIT		1				
A01A	122861-9	NOZZLE ASS'Y		1	*			
C10	268208-4	PIN 3		4	*			
C20	424095-3	ROLLER		4	*			
C30	424096-1	WIPER		1	*			
A01B	122861-9	NOZZLE ASS'Y		1	*			
C10	268208-4	PIN 3		4	*			
C20	424095-3	ROLLER		4	*			
C30	424096-1	WIPER		1	*			
A01-1A	122861-9	NOZZLE ASS'Y	O	1	*			
C10	268208-4	PIN 3		4	*			
C21	451410-8	ROLLER		4	*			
C30	424096-1	WIPER		1	*			
A01-1B	122861-9	NOZZLE ASS'Y	O	1	*			
C10	268208-4	PIN 3		4	*			
C21	451410-8	ROLLER		4	*			
C30	424096-1	WIPER		1	*			
A01-2A	123485-4	NOZZLE ASSEMBLY	<	1				
C10	268208-4	PIN 3		4				
C21	451410-8	ROLLER		4				
C30	424096-1	WIPER		1				
A01-2B	123485-4	NOZZLE ASSEMBLY	<	1				
C10	268208-4	PIN 3		4				
C21	451410-8	ROLLER		4				
C30	424096-1	WIPER		1				
A01-2C	123488-8	NOZZLE ASSEMBLY		1				
C10	268208-4	PIN 3		4				
C21	451410-8	ROLLER		4				
C30	424096-1	WIPER		1				
A01-2D	123488-8	NOZZLE ASSEMBLY		1				
C10	268208-4	PIN 3		4				
C21	451410-8	ROLLER		4				
C30	424096-1	WIPER		1				
A02A	416041-0	SASH NOZZLE (IVORY)		1				
A02B	416041-0	SASH NOZZLE (IVORY)		1				
A02C	451243-1	SASH NOZZLE		1				
A02D	451243-1	SASH NOZZLE		1				
A03A	451424-7	PIPE		1				
A03B	451424-7	PIPE		1				
A03C	451244-9	PIPE		1				
A03D	451244-9	PIPE		1				
A04A	416043-6	SASH NOZZLE HOLDER (IVORY)		1				

