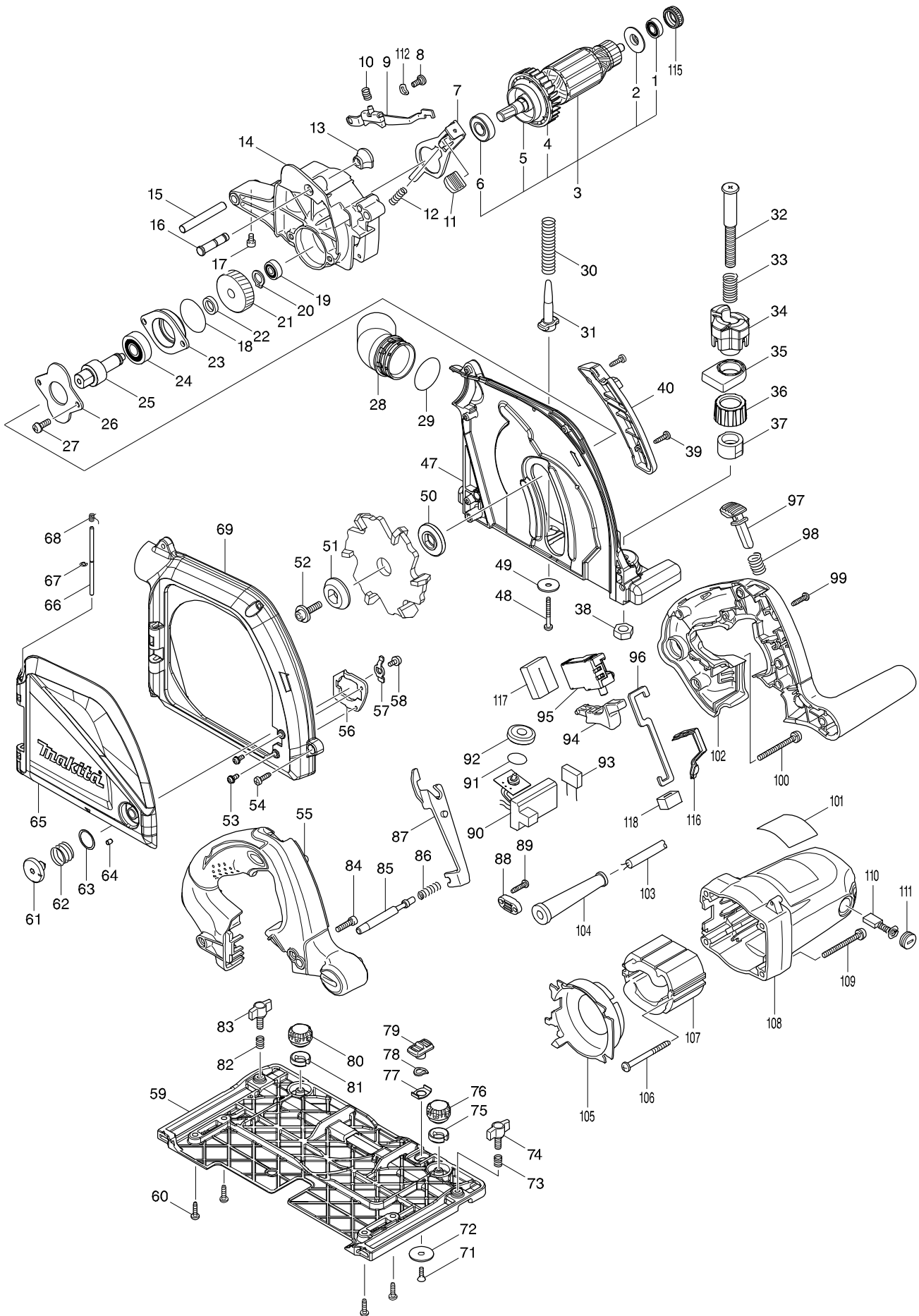


Model No. CA5000 ALUMINUM GROOVE CUTTER



Model No. CA5000 ALUMINUM GROOVE CUTTER

Item	Parts No.	Description	I/C	Qty	N/O	Opt. 1	Opt. 2	Note
001	210013-5	BALL BEARING 698VV		1				
002	681634-4	INSULATION WASHER		1				
003	513678-5	ARMATURE ASS'Y 220-240V		1				
D10		INC. 1,2,4-6						
004	240091-1	FAN 60		1				
005	345767-6	DRUM		1				
006	211131-2	BALL BEARING 6001DDW		1				
007	345742-2	SHAFT LOCK		1				
008	265011-4	+ BINDING HEAD SCREW M5		1				
009	158096-6	SHOE COMPLETE		1				
010	233480-7	COMPRESSION SPRING 7		1				
011	286275-7	CAP		1				
012	233084-5	COMPRESSION SPRING 6		1				
013	286278-1	CAP		1				
014	158092-4	GEAR HOUSING COMPLETE		1				
C10	263002-9	RUBBER PIN 4		1				
015	324716-6	PIN 8		1				
016	324708-5	STOPPER PIN 8		1				
017	265913-4	HEX. SOCKET HEAD BOLT M5X8		1				
018	213512-6	O RING 39		1				
019	211021-9	BALL BEARING 607LLB		1				
020	961052-5	RETAINING RING S-12		1				
021	226637-7	HELICAL GEAR 39		1				
022	257010-0	RING 12		1				
023	318088-9	BEARING BOX		1				
024	211129-9	BALL BEARING 6201DDW		1				
025	326555-0	SPINDLE		1				
026	285024-9	BEARING RETAINER 55		1				
027	911221-8	PAN HEAD SCREW M5X16		2				
028	419620-3	DUST NOZZLE		1				
029	213460-9	O RING 35		1				
030	233479-2	COMPRESSION SPRING 11		1				
031	419624-5	SPRING HOLDER		1				
032	266964-0	+ FLAT HEAD SCREW M10		1				
033	234382-0	COMPRESSION SPRING 13		1				
034	319316-5	STOPPER		1				
035	456060-4	SPACER		1				
036	456059-9	GRIP		1				
037	264115-9	CIRCULAR NUT M10-24		1				
038	931501-6	HEX. NUT M10		1	*			
038-1	252234-3	HEX. NUT M10	O	1				
039	266034-5	TAPPING SCREW CT 4X16		2				
040	456110-5	DEPTH GUIDE		1				
047	319317-3	BLADE CASE		1				
048	266053-1	TAPPING SCREW 4X35		1				
049	253010-8	FLAT WASHER 6		1				
050	224406-0	INNER FLANGE 35		1				
051	224479-3	OUTER FLANGE 35		1				

Model No. CA5000 ALUMINUM GROOVE CUTTER

Item	Parts No.	Description	I/C	Qty	N/O	Opt. 1	Opt. 2	Note
052	251475-8	HEX. SOCKET HEAD BOLT M6X25		1				
053	911113-1	PAN HEAD SCREW M4X10 WITH WR		2				
054	266034-5	TAPPING SCREW CT 4X16		5				
055	188197-6	HANDLE SET		1				
D10		INC. 102						
056	346946-9	LOCK PLATE B		1				
057	346945-1	LOCK PLATE A		1				
058	911114-9	PAN HEAD SCREW M4X10		1				
059	319314-9	BASE		1				
060	266034-5	TAPPING SCREW CT 4X16		4				
061	319315-7	LOCK PIN		1				
062	234283-2	COMPRESSION SPRING 18.5		1				
063	253343-1	THIN WASHER 18		1				
064	263032-0	RUBBER PIN 4		1				
065	456062-0	COVER		1				
066	256875-7	ROD 4		1				
067	961017-7	STOP RING E-3		1				
068	233627-3	TORSION SPRING 4		1				
069	456061-2	BLADE CASE COVER		1				
071	912112-6	COUNTERSUNK HEAD SCREW M4X10		1				
072	345748-0	LOCK WASHER		1				
073	231316-4	COMPRESSION SPRING 7		1				
074	265726-3	SCREW M6X15		1				
075	419627-9	HOLDER		1				
076	265775-0	THUMB SCREW M4X3		1				
077	345977-5	PLATE		1				
078	253932-2	WAVE WASHER 10		1				
079	419621-1	SLIDE LEVER		1				
080	265775-0	THUMB SCREW M4X3		1				
081	419627-9	HOLDER		1				
082	231316-4	COMPRESSION SPRING 7		1				
083	265726-3	SCREW M6X15		1				
084	922232-8	HEX. SOCKET HEAD BOLT M5X20		1				
085	326557-6	LOCK PIN 8		1				
086	233267-7	COMPRESSION SPRING 7		1				
087	419631-8	LOCK PLATE		1				
088	687052-4	STRAIN RELIEF		1				
089	265995-6	TAPPING SCREW 4X18		2				
090	631729-3	CONTROLLER		1				
091	213261-5	O RING 17		1				
092	418905-4	DIAL		1				
094	419622-9	SWITCH LEVER		1				
095	650716-3	SWITCH TGC31B		1				
096	345745-6	LINK PLATE		1				
097	419629-5	LOCK OFF BUTTON		1				
098	233089-5	COMPRESSION SPRING 12		1				
099	265995-6	TAPPING SCREW 4X18		6				
100	911273-9	PAN HEAD SCREW M5X50		1				

