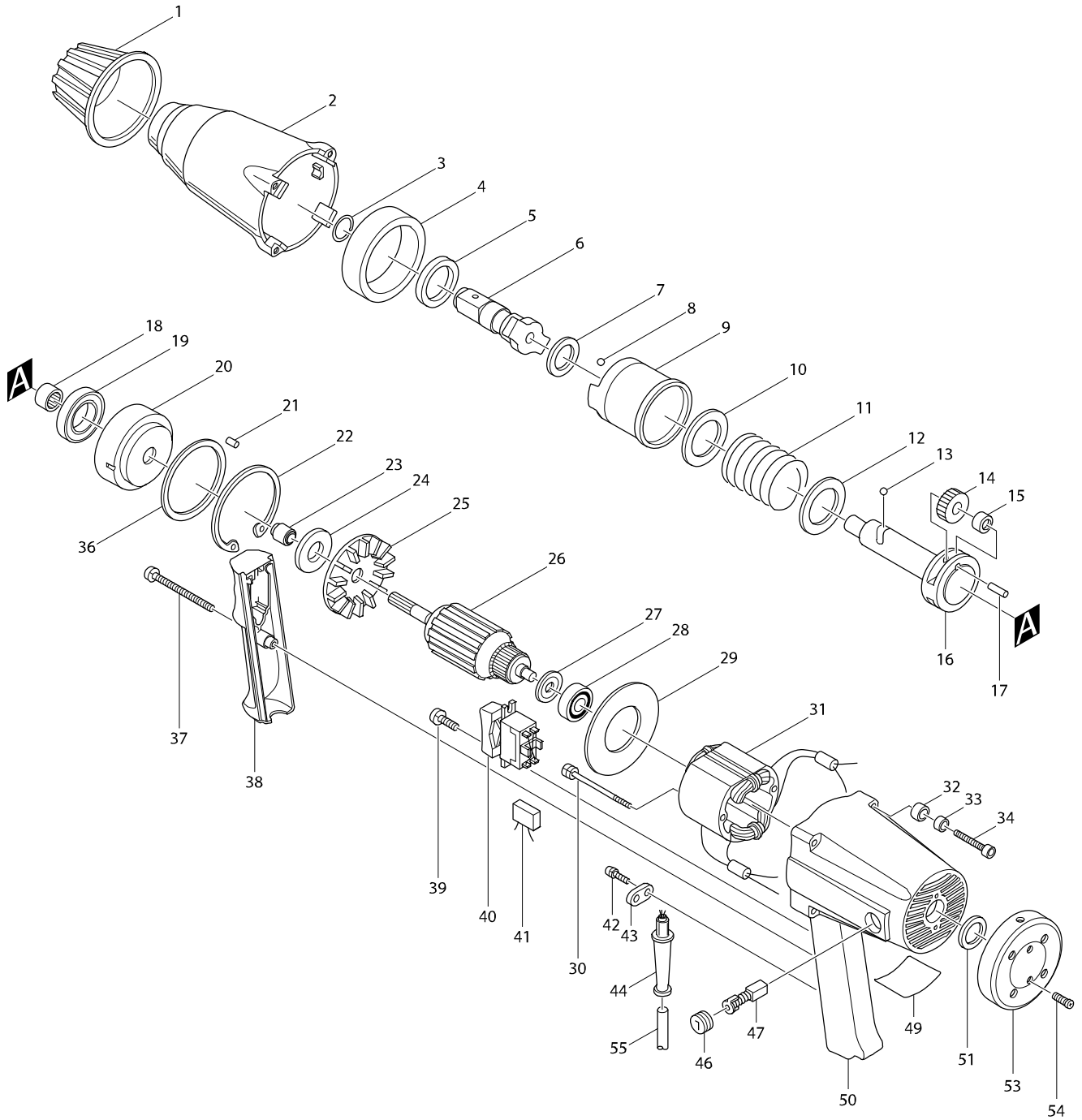


Model No. 6906 IMPACT WRENCH



Model No. 6906 IMPACT WRENCH

Item	Parts No.	Description	I/C	Qty	N/O	Opt. 1	Opt. 2	Note
001	421112-0	BUMPER		1				
002-1	156087-1	HAMMER CASE		1				
C10	213360-3	OIL SEAL 25		1				
C21	257535-4	SLEEVE 25		1				
003	231920-9	RING SPRING 16		1				
004	257040-1	RING 65		1				
005	253939-8	FLAT WASHER 25		1				
006	325586-6	ANVIL		1	*			
006-1	324231-0	ANVIL	<	1				
007	261023-5	WASHER 27		1				
008	216008-6	STEEL BALL 4		30				
009	325318-1	HAMMER		1				
010	253764-7	FLAT WASHER 30		1				
011	231135-8	COMPRESSION SPRING 37		1				
012	253765-5	FLAT WASHER 36		1				
013	216009-4	STEEL BALL 7.1		2				
014	221243-3	SPUR GEAR 29		2				
015	212011-5	NEEDLE BEARING 609		2				
016	325322-0	SPINDLE		1				
017	256041-6	PIN 6		2				
018	212151-9	NEEDLE BEARING 1412		1				
019	211441-7	BALL BEARING 3009		1				
020	221242-5	INTERNAL GEAR 65		1				
021	256040-8	PIN 5		4				
022	962352-6	RETAINING RING R-75		1				
023	216103-2	INNER SLEEVE 1016		1				
024	253180-3	FLAT WASHER 10		1				
025	241609-1	FAN 73		1				
026D1	512884-9	ARMATURE ASS'Y 240V		1				
D10		INC. 23-28						
027	681613-2	INSULATION WASHER		1				
028	211031-6	BALL BEARING 608LLB		1				
029	413008-9	BAFFLE PLATE		1				
030-1	265350-2	+ HEX. BOLT M5X70		2				
031D_	622287-0	FIELD 240V		1				
032	253929-1	CUP WASHER 5		4				
033	262001-8	URETHANE RING 5		4				
034	922262-9	HEX. SOCKET HEAD BOLT M5X40		4				
036	253774-4	FLAT WASHER 65		1				
037	911173-3	PAN HEAD SCREW M4X45		1				
038-1	414959-9	HANDLE COVER		1				
039	911106-8	PAN HEAD SCREW M4X8		1				
040-2	651564-3	SWITCH SL220SD-4		1				
042-1	911133-5	PAN HEAD SCREW M4X18		2				
043C_	687031-2	STRAIN RELIEF		1				
044A3	682540-6	CORD GUARD 9.3-90		1				
046	643600-9	BRUSH HOLDER CAP 6-10		2				
047	181030-1	CARBON BRUSH CB-100		1				

