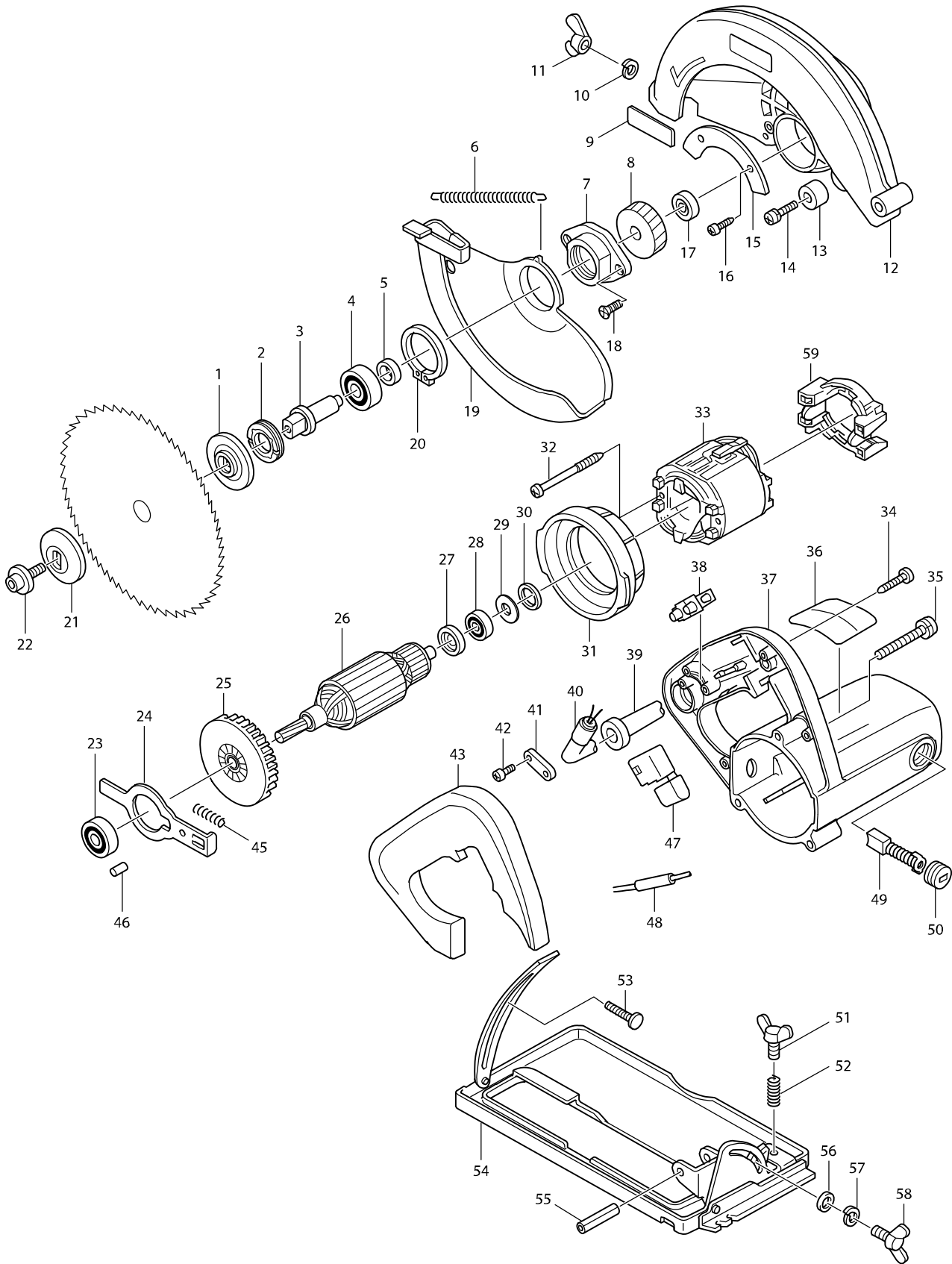


Model No. 5806B CIRCULAR SAW 185MM



Model No. 5806B CIRCULAR SAW 185MM

Item	Parts No.	Description	I/C	Qty	N/O	Opt. 1	Opt. 2	Note
001	224180-0	INNER FLANGE 45		1				
002	285802-7	BEARING RETAINER 19-33		1				
003	322838-6	SPINDLE		1				
004	211129-9	BALL BEARING 6201DDW		1				
005	257173-2	RING 12		1				
006	231808-3	TENSION SPRING 4		1				
007	316849-1	BEARING BOX		1				
008	226461-8	HELICAL GEAR 47		1				
009	819063-3	MAKITA LABEL		1	*			
010	942151-2	SPRING WASHER 6		1				
011	934301-3	WING NUT M6		1				
012	152520-1	BLADE CASE COMPLETE		1	*			
D10		INC. 46			*			
012-1	152584-5	BLADE CASE COMPLETE	X	1	*			
D10		INC. 46			*			
012-2	153664-0	BLADE CASE COMPLETE	O	1	*			
D10		INC. 46			*			
012-3	153664-0	BLADE CASE COMPLETE	O	1				
D10		INC. 46						
013	262502-6	RUBBER SLEEVE 6		1				
014	251247-1	+ PAN HEAD SCREW M6X20		1				
015	344365-3	COVER PLATE		1				
016	266026-4	TAPPING SCREW BIND CT 4X12		2				
017	211014-6	BALL BEARING 606		1	*			
017-1	211012-0	BALL BEARING 606ZZ	O	1				
018	912222-9	COUNTERSUNK HEAD SCREW M5X16		2	*			
018-1	265034-2	+ COUNTERSUNK HEAD SCREW M5X16	X	2				
019	165051-1	SAFETY COVER		1	*			
019-1	165367-4	SAFETY COVER	O	1				
020	961155-5	RETAINING RING S-38		1				
021	224329-2	OUTER FLANGE 45		1				
022	266024-8	HEX. SOCKET HEAD BOLT M6X20		1				
023	211097-6	BALL BEARING 6000LLB		1				
024	344317-4	SHAFT LOCK		1				
025	241858-0	FAN 70		1				
026G	516271-4	ARMATURE ASS'Y 115V		1				
D10		INC. 23,25,27,28						
026D_A	516274-8	ARMATURE ASS'Y 240V		1				
D10		INC. 23,25,27,28						
027	681613-2	INSULATION WASHER		1				
028	211033-2	BALL BEARING 608LB		1				
029	253192-6	FLAT WASHER 14		1				
030-1	261109-5	RUBBER WASHER 13		1				
031	415873-2	BAFFLE PLATE		1				
032-1	266044-2	TAPPING SCREW 5X60		2				
033G	634156-3	FIELD 115V		1				
033D_A	634159-7	FIELD 240V		1				
034-1	266045-0	TAPPING SCREW 4X20		4				

Model No. 5806B CIRCULAR SAW 185MM

Item	Parts No.	Description	I/C	Qty	N/O	Opt. 1	Opt. 2	Note
035	911268-2	PAN HEAD SCREW M5X45		3				
036	851562-9	NAME PLATE 5806B		1	*			
036-1	851562-9	NAME PLATE 5806B	O	1				
037A_	159908-6	MOTOR HOUSING COMPLETE		1	*			
C11	643708-9	BRUSH HOLDER 5-11		2	*			
037A1	150952-6	MOTOR HOUSING COMPLETE	X	1	*			
C10	643708-9	BRUSH HOLDER 5-11		2	*			
037A2	152869-9	MOTOR HOUSING COMPLETE	X	1				
C10	643708-9	BRUSH HOLDER 5-11		2				
039	682503-2	CORD GUARD 8-90		1				
040G	664013-1	POWER SUPPLY CORD AWG#18-2-2.5		1				
040B_A	692021-2	POWER SUPPLY CORD 1.0-2-2.5		1				
041B_	687063-9	CORD CLAMP		1	*			
041B1	687123-7	STRAIN RELIEF	O	1				
042-2	265995-6	TAPPING SCREW 4X18		2				
043	415978-8	HANDLE COVER		1				
045	233092-6	COMPRESSION SPRING 5		1				
046	263002-9	RUBBER PIN 4		1				
047A_	651281-5	SWITCH SGEL115CDY-5		1				
048	683184-5	POLYETHYLENE TUBE 8-30		1				
049	191963-2	CARBON BRUSH CB-303		1				
050	643750-0	BRUSH HOLDER CAP 7-11		2				
051	924316-8	WING BOLT M6X15		1				
052	231316-4	COMPRESSION SPRING 7		1				
053	266018-3	F. HEAD SQUARE NECK BOLT M6X26		1				
054	168296-0	BASE		1				
055	951222-4	SPRING PIN 6-36		1				
056	941151-9	FLAT WASHER 6		1				
057	942151-2	SPRING WASHER 6		1				
058	924316-8	WING BOLT M6X15		1				
059	632673-7	SUPPORT COMPLETE		1	*			
059-1	135486-0	SUPPORT ASS'Y	<	1				
C10	632673-7	SUPPORT COMPLETE		1				
C20	654020-2	RING TERMINAL		1				
C30	654501-6	CONNECTOR P-1.25		1				
A01	783203-8	HEX. WRENCH 5		1				
A02	164095-8	GUIDE RULE		1				
A04	410047-0	WRENCH HOLDER 5.6		1				
A05	A-80628	T.C.T.SAW BLADE 185X40TX20		1				