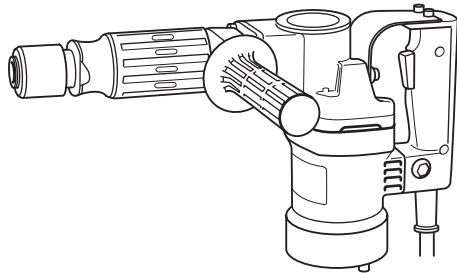




EN	Demolition Hammer	INSTRUCTION MANUAL	4
ZHCN	电镐	使用说明书	8
ID	Mesin Bobok	PETUNJUK PENGGUNAAN	12
MS	Tukul Meroboh	MANUAL ARAHAN	16
VI	Máy Đục Bê Tông Cầm Tay Hoạt Động Bằng Động Cơ Điện	TÀI LIỆU HƯỚNG DẪN	20
TH	เครื่องเจาะสกัด	คู่มือการใช้งาน	24

HM0810T



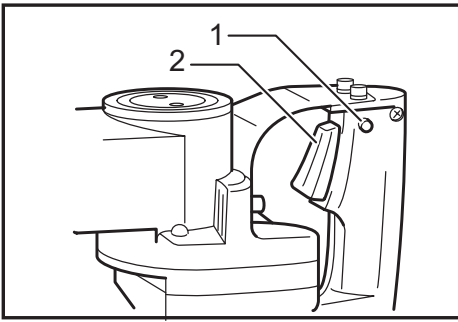


Fig.1

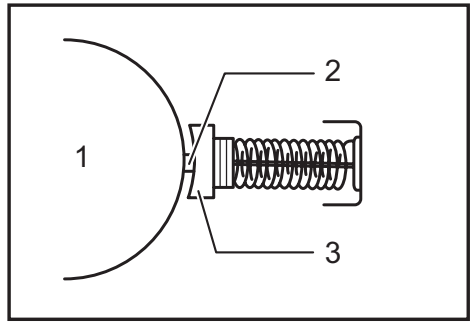


Fig.5

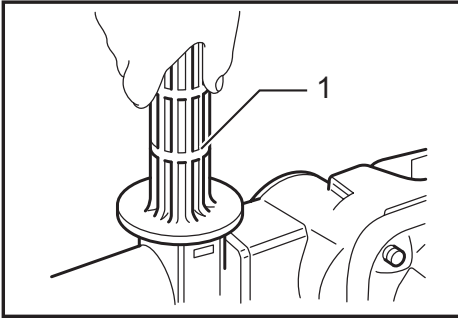


Fig.2

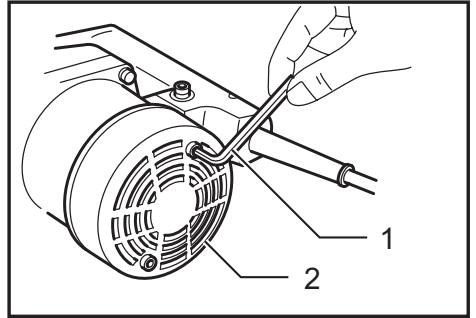


Fig.6

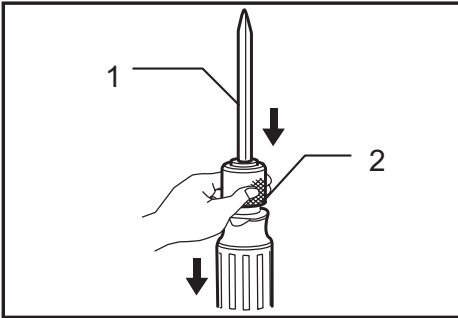


Fig.3

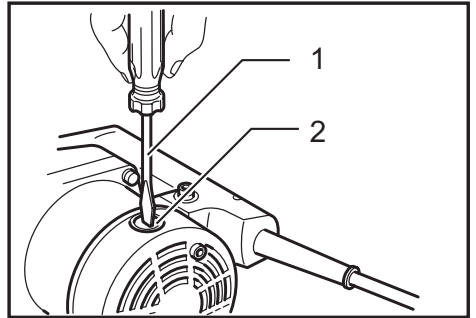


Fig.7

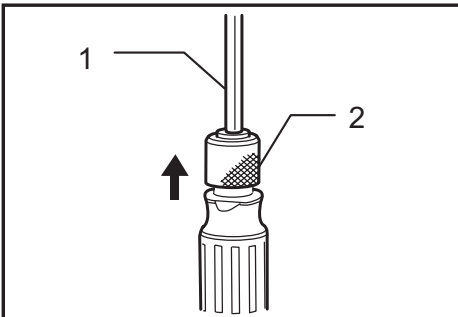


Fig.4

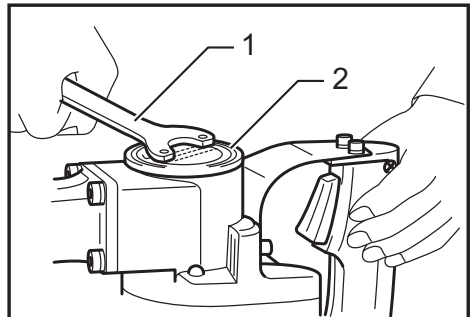


Fig.8

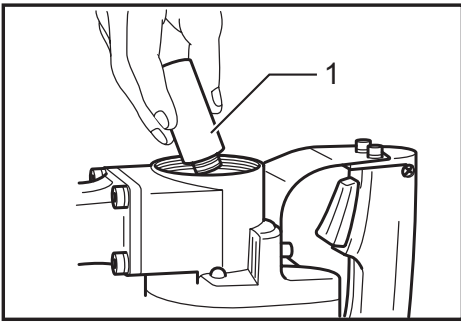


Fig.9




SPECIFICATIONS

Model	HM0810T
Blows per minute	2,900 min ⁻¹
Overall length	428 mm
Net weight	6.3 kg
Safety class	□/II

- Due to our continuing program of research and development, the specifications herein are subject to change without notice.
- Specifications may differ from country to country.
- Weight according to EPTA-Procedure 01/2014

Symbols

The following show the symbols used for the equipment. Be sure that you understand their meaning before use.

	Read instruction manual.
	DOUBLE INSULATION
	Only for EU countries Do not dispose of electric equipment together with household waste material! In observance of the European Directive, on Waste Electric and Electronic Equipment and its implementation in accordance with national law, electric equipment that have reached the end of their life must be collected separately and returned to an environmentally compatible recycling facility.

Intended use

The tool is intended for chiselling work in concrete, brick, stone and asphalt as well as for driving and compacting with appropriate accessories.

Power supply

The tool should be connected only to a power supply of the same voltage as indicated on the nameplate, and can only be operated on single-phase AC supply. They are double-insulated and can, therefore, also be used from sockets without earth wire.

General Power Tool Safety Warnings

⚠WARNING Read all safety warnings and all instructions. Failure to follow the warnings and instructions may result in electric shock, fire and/or serious injury.

Save all warnings and instructions for future reference.

The term "power tool" in the warnings refers to your mains-operated (corded) power tool or battery-operated (cordless) power tool.

Work area safety

1. **Keep work area clean and well lit.** Cluttered or dark areas invite accidents.
2. **Do not operate power tools in explosive atmospheres, such as in the presence of flammable liquids, gases or dust.** Power tools create sparks which may ignite the dust or fumes.
3. **Keep children and bystanders away while operating a power tool.** Distractions can cause you to lose control.

Electrical safety

4. **Power tool plugs must match the outlet. Never modify the plug in any way. Do not use any adapter plugs with earthed (grounded) power tools.** Unmodified plugs and matching outlets will reduce risk of electric shock.
5. **Avoid body contact with earthed or grounded surfaces such as pipes, radiators, ranges and refrigerators.** There is an increased risk of electric shock if your body is earthed or grounded.
6. **Do not expose power tools to rain or wet conditions.** Water entering a power tool will increase the risk of electric shock.
7. **Do not abuse the cord. Never use the cord for carrying, pulling or unplugging the power tool. Keep cord away from heat, oil, sharp edges or moving parts.** Damaged or entangled cords increase the risk of electric shock.
8. **When operating a power tool outdoors, use an extension cord suitable for outdoor use.** Use of a cord suitable for outdoor use reduces the risk of electric shock.
9. **If operating a power tool in a damp location is unavoidable, use a residual current device (RCD) protected supply.** Use of an RCD reduces the risk of electric shock.
10. **Use of power supply via a RCD with a rated residual current of 30 mA or less is always recommended.**

Personal safety

11. **Stay alert, watch what you are doing and use common sense when operating a power tool. Do not use a power tool while you are tired or under the influence of drugs, alcohol or medication.** A moment of inattention while operating power tools may result in serious personal injury.

12. **Use personal protective equipment. Always wear eye protection.** Protective equipment such as dust mask, non-skid safety shoes, hard hat, or hearing protection used for appropriate conditions will reduce personal injuries.
13. **Prevent unintentional starting. Ensure the switch is in the off-position before connecting to power source and/or battery pack, picking up or carrying the tool.** Carrying power tools with your finger on the switch or energising power tools that have the switch on invites accidents.
14. **Remove any adjusting key or wrench before turning the power tool on.** A wrench or a key left attached to a rotating part of the power tool may result in personal injury.
15. **Do not overreach. Keep proper footing and balance at all times.** This enables better control of the power tool in unexpected situations.
16. **Dress properly. Do not wear loose clothing or jewellery. Keep your hair, clothing, and gloves away from moving parts.** Loose clothes, jewellery or long hair can be caught in moving parts.
17. **If devices are provided for the connection of dust extraction and collection facilities, ensure these are connected and properly used.** Use of dust collection can reduce dust-related hazards.

Power tool use and care

18. **Do not force the power tool. Use the correct power tool for your application.** The correct power tool will do the job better and safer at the rate for which it was designed.
19. **Do not use the power tool if the switch does not turn it on and off.** Any power tool that cannot be controlled with the switch is dangerous and must be repaired.
20. **Disconnect the plug from the power source and/or the battery pack from the power tool before making any adjustments, changing accessories, or storing power tools.** Such preventive safety measures reduce the risk of starting the power tool accidentally.
21. **Store idle power tools out of the reach of children and do not allow persons unfamiliar with the power tool or these instructions to operate the power tool.** Power tools are dangerous in the hands of untrained users.
22. **Maintain power tools. Check for misalignment or binding of moving parts, breakage of parts and any other condition that may affect the power tool's operation. If damaged, have the power tool repaired before use.** Many accidents are caused by poorly maintained power tools.
23. **Keep cutting tools sharp and clean.** Properly maintained cutting tools with sharp cutting edges are less likely to bind and are easier to control.
24. **Use the power tool, accessories and tool bits etc. in accordance with these instructions, taking into account the working conditions and the work to be performed.** Use of the power tool for operations different from those intended could result in a hazardous situation.

Service

25. **Have your power tool serviced by a qualified repair person using only identical replacement parts.** This will ensure that the safety of the power tool is maintained.
26. **Follow instruction for lubricating and changing accessories.**
27. **Keep handles dry, clean and free from oil and grease.**

HAMMER SAFETY WARNINGS

1. **Wear ear protectors.** Exposure to noise can cause hearing loss.
2. **Use auxiliary handle(s), if supplied with the tool.** Loss of control can cause personal injury.
3. **Hold power tool by insulated gripping surfaces, when performing an operation where the cutting accessory may contact hidden wiring or its own cord.** Cutting accessory contacting a "live" wire may make exposed metal parts of the power tool "live" and could give the operator an electric shock.
4. **Wear a hard hat (safety helmet), safety glasses and/or face shield. Ordinary eye or sun glasses are NOT safety glasses. It is also highly recommended that you wear a dust mask and thickly padded gloves.**
5. **Be sure the bit is secured in place before operation.**
6. **Under normal operation, the tool is designed to produce vibration. The screws can come loose easily, causing a breakdown or accident. Check tightness of screws carefully before operation.**
7. **In cold weather or when the tool has not been used for a long time, let the tool warm up for a while by operating it under no load. This will loosen up the lubrication. Without proper warm-up, hammering operation is difficult.**
8. **Always be sure you have a firm footing. Be sure no one is below when using the tool in high locations.**
9. **Hold the tool firmly with both hands.**
10. **Keep hands away from moving parts.**
11. **Do not leave the tool running. Operate the tool only when hand-held.**
12. **Do not point the tool at any one in the area when operating. The bit could fly out and injure someone seriously.**
13. **Do not touch the bit or parts close to the bit immediately after operation; they may be extremely hot and could burn your skin.**
14. **Do not operate the tool at no-load unnecessarily.**
15. **Some material contains chemicals which may be toxic. Take caution to prevent dust inhalation and skin contact. Follow material supplier safety data.**

SAVE THESE INSTRUCTIONS.

⚠ WARNING: DO NOT let comfort or familiarity with product (gained from repeated use) replace strict adherence to safety rules for the subject product. MISUSE or failure to follow the safety rules stated in this instruction manual may cause serious personal injury.

FUNCTIONAL DESCRIPTION

⚠ CAUTION:

- Always be sure that the tool is switched off and unplugged before adjusting or checking function on the tool.

Switch action

► **Fig.1:** 1. Lock button 2. Switch trigger

⚠ CAUTION:

- Before plugging in the tool, always check to see that the switch trigger actuates properly and returns to the "OFF" position when released.

To start the tool, simply pull the switch trigger. Release the switch trigger to stop.

For continuous operation, pull the switch trigger and then push in the lock button.

To stop the tool from the locked position, pull the switch trigger fully, then release it.

ASSEMBLY

⚠ CAUTION:

- Always be sure that the tool is switched off and unplugged before carrying out any work on the tool.

Installing side grip (auxiliary handle)

► **Fig.2:** 1. Side grip

The side grip swings around to either side, allowing easy handling of the tool in any position. Loosen the side grip by turning it counterclockwise, swing it to the desired position and then tighten it by turning clockwise.

Bit grease (optional accessory)

Coat the bit shank head beforehand with a small amount of bit grease (about 0.5 - 1 g; 0.02 - 0.04 oz.). This chuck lubrication assures smooth action and longer service life.

Installing or removing the bit

► **Fig.3:** 1. Bit 2. Change ring

► **Fig.4:** 1. Bit 2. Change ring

Pull the change ring down all the way and insert the bit into the tool holder as far as it will go. Release the change ring and it will return automatically to its original position to secure the bit. After installing, always make sure that the bit is securely held in place by trying to pull it out. To remove the bit, pull the change ring down all the way and pull the bit out.

OPERATION

Chipping/Scaling/Demolition

Hold the tool firmly with both hands. Turn the tool on and apply slight pressure on the tool so that the tool will not bounce around, uncontrolled. Pressing very hard on the tool will not increase the efficiency.

MAINTENANCE

⚠ CAUTION:

- Always be sure that the tool is switched off and unplugged before attempting to perform inspection or maintenance.
- Never use gasoline, benzine, thinner, alcohol or the like. Discoloration, deformation or cracks may result.

Replacing carbon brushes

► **Fig.5:** 1. Commutator 2. Insulating tip 3. Carbon brush

When the resin insulating tip inside the carbon brush is exposed to contact the commutator, it will automatically shut off the motor. When this occurs, both carbon brushes should be replaced. Keep the carbon brushes clean and free to slip in the holders. Both carbon brushes should be replaced at the same time. Use only identical carbon brushes.

Use a hex wrench to remove the rear cover.

► **Fig.6:** 1. Hex wrench 2. Rear cover

Use a screwdriver to remove the brush holder caps.

Take out the worn carbon brushes, insert the new ones and secure the brush holder caps.

► **Fig.7:** 1. Screwdriver 2. Brush holder cap

Lubrication

► Fig.8: 1. Lock nut wrench 2. Crank cap

This tool requires no hourly or daily lubrication because it has a grease-packed lubrication system. It should be relubricated after every 6 months of operation. Send the complete tool to Makita Authorized or Factory Service Center for this lubrication service. However, if circumstances require that you should lubricate it by yourself, proceed as follows.

Run the tool for several minutes to warm it up. Switch off and unplug the tool.

Remove the crank cap using a Makita lock nut wrench 35 (optional accessory). Rest the tool on the table with the bit end pointing upwards. This will allow the old grease to collect inside the crank housing.

Wipe out the old grease inside and replace with a fresh grease (30 g; 1 oz). Use only Makita genuine hammer grease (optional accessory). Filling with more than the specified amount of grease (approx. 30 g; 1 oz) can cause faulty hammering action or tool failure. Fill only with the specified amount of grease.

► Fig.9: 1. Hammer grease

Reinstall the crank cap and tighten with the lock nut wrench.

CAUTION:

- Do not tighten the crank cap excessively. It is made of resin and is subject to breakage.

To maintain product SAFETY and RELIABILITY, repairs, any other maintenance or adjustment should be performed by Makita Authorized Service Centers, always using Makita replacement parts.

OPTIONAL ACCESSORIES

CAUTION:

- These accessories or attachments are recommended for use with your Makita tool specified in this manual. The use of any other accessories or attachments might present a risk of injury to persons. Only use accessory or attachment for its stated purpose.

If you need any assistance for more details regarding these accessories, ask your local Makita Service Center.

- Bull point
- Cold chisel
- Scaling chisel
- Clay spade
- Grooving chisel
- Rammer
- Bushing tool
- Ground rod adapter
- Lock nut wrench
- Hex wrench
- Safety goggles
- Hammer grease
- Carrying case
- Bit grease

NOTE:

- Some items in the list may be included in the tool package as standard accessories. They may differ from country to country.

规格

型号	HM0810T
每分钟锤击数	2,900 /min
长度	428 mm
净重	6.3 kg
安全等级	□/II

- 生产者保留变更规格不另行通知之权利。
- 规格可能因销往国家之不同而异。
- 重量符合EPTA-Procedure 01/2014

符号

以下显示本工具使用的符号。在使用工具之前请务必理解其含义。



阅读使用说明书。



II类工具



仅限于欧盟国家
请勿将电气设备与家庭普通废弃物一同丢弃！
请务必遵守欧洲关于废弃电子电气设备的指令，根据各国法律法规执行。达到使用寿命的电气设备必须分类回收至符合环境保护规定的再循环机构。

用途

本工具可用于在水泥、砖块、石头和沥青材质上进行凿刻作业，并可与合适的附件结合使用，进行掘进和夯实作业。

电源

本工具只可连接电压与铭牌所示电压相同的电源，且仅可使用单相交流电源。本工具双重绝缘，因此也可用于不带接地线的插座。

电动工具通用安全警告

⚠警告！阅读所有警告和所有说明。不遵照以下警告和说明会导致电击、着火和/或严重伤害。

保存所有警告和说明书以备查阅。

在所有下列的警告中术语“电动工具”指市电驱动（有线）电动工具或电池驱动（无线）电动工具。

工作场地的安全

1. 保持工作场地清洁和明亮。混乱和黑暗的场地会引发事故。
2. 不要在易爆环境，如有易燃液体、气体或粉尘的环境下操作电动工具。电动工具产生的火花会点燃粉尘或气体。
3. 让儿童和旁观者离开后操作电动工具。注意力不集中会使操作者失去对工具的控制。

电气安全

4. 电动工具插头必须与插座相配。绝不能以任何方式改装插头。需接地的电动工具不能使用任何转换插头。未经改装的插头和相配的插座将减少电击危险。
5. 避免人体接触接地表面，如管道、散热片和冰箱。如果你身体接地会增加电击危险。
6. 不得将电动工具暴露在雨中或潮湿环境中。水进入电动工具将增加电击危险。
7. 不得滥用电线。绝不能用电线搬运、拉动电动工具或拔出其插头。使电线远离热源、油、锐边或运动部件。受损或缠绕的软线会增加电击危险。
8. 当在户外使用电动工具时，使用适合户外使用的外接软线。适合户外使用的软线将减少电击危险。
9. 如果在潮湿环境下操作电动工具是不可避免的，应使用剩余电流动作保护器（RCD）。使用RCD可减少电击危险。
10. 始终建议通过额定剩余电流为30mA或以下的RCD来使用电源。

人身安全

11. 保持警觉，当操作电动工具时关注所从事的操作并保持清醒。当你感到疲倦，或在有药物、酒精或治疗反应时，不要操作电动工具。在操作电动工具时瞬间的疏忽会导致严重人身伤害。
12. 使用个人防护装置。始终佩戴护目镜。安全装置，诸如适当条件下使用防尘面具、防滑安全鞋、安全帽、听力防护等装置能减少人身伤害。
13. 防止意外启动。确保开关在连接电源和/或电池盒、拿起或搬运工具时处于关断位置。手指放在已接通电源的开关上或开关处于接通时插入插头可能会导致危险。
14. 在电动工具接通之前，拿掉所有调节钥匙或扳手。遗留在电动工具旋转零件上的扳手或钥匙会导致人身伤害。
15. 手不要伸展得太长。时刻注意立足点和身体平衡。这样在意外情况下能很好地控制电动工具。
16. 着装适当。不要穿宽松衣服或佩戴饰品。让衣服、手套和头发远离运动部件。宽松衣服、佩饰或长发可能会卷入运动部件中。
17. 如果提供了与排屑、集尘设备连接用的装置，要确保他们连接完好且使用得当。使用这些装置可减少尘屑引起的危险。

电动工具使用和注意事项

18. 不要滥用电动工具，根据用途使用适当的电动工具。选用适当设计的电动工具会使你工作更有效、更安全。
19. 如果开关不能接通或关断工具电源，则不能使用该电动工具。不能用开关来控制电动工具是危险的且必须进行修理。
20. 在进行任何调节、更换附件或贮存电动工具之前，必须从电源上拔掉插头和/或使电池盒与工具脱开。这种防护性措施将减少工具意外启动的危险。
21. 将闲置不用的电动工具贮存在儿童所及范围之外，并且不要让不熟悉电动工具或对这些说明不了解的人操作电动工具。电动工具在未经培训的用户手中是危险的。
22. 保养电动工具。检查运动件是否调整到位或卡住，检查零件破损情况和影响电动工具运行的其他状况。如有损坏，电动工具应在使用前修理好。许多事故由维护不良的电动工具引发。

23. 保持切削刀具锋利和清洁。保养良好的有锋利切削刃的刀具不易卡住而且容易控制。
24. 按照使用说明书，考虑作业条件和进行的作业来使用电动工具、附件和工具的刀头等。将电动工具用于那些与其用途不符的操作可能会导致危险。

维修

25. 将你的电动工具送交专业维修人员，使用同样的备件进行修理。这样将确保所维修的电动工具的安全性。
26. 上润滑油及更换附件时请遵循本说明书指示。
27. 手柄务必保持干燥、清洁、无油（脂）。

锤类工具的安全警告

1. 戴好耳罩。暴露在噪声中会引起听力损伤。
2. 使用随工具提供的辅助手柄。操作失手会引起人身伤害。
3. 在切削附件可能触及暗线或其自身软线之处进行操作时，要通过绝缘握持面来握持工具。切削附件碰到带电导线会使工具外露的金属零件带电从而使操作者受到电击。
4. 请佩戴硬质帽子（安全头盔）、安全眼镜和/或面罩。普通眼镜或太阳眼镜并非安全眼镜。强烈建议您佩戴防尘面罩和厚手套。
5. 请在操作前确保钻头到位。
6. 该工具在正常操作下是用来产生振动。螺丝容易松动，造成故障或事故。操作前仔细检查螺钉的紧固度。
7. 在寒冷天气或该工具长时间未使用时，请在无负载下运行该工具以让其预热一会。这会提升润滑度。若没有适当预热，钻孔操作会很困难。
8. 请务必确保立足稳固。在高处使用工具时确保下方无人。
9. 需用双手握紧工具。
10. 手应远离移动的部件。
11. 运行中的工具不可离手放置。只可在手握工具的情况下操作工具。
12. 操作时请勿将工具对准近旁任何人。钻头会飞出以致严重伤害他人。
13. 操作之后，请勿立刻触摸钻头或靠近钻头的工件，因为它们可能会非常烫而导致烫伤皮肤。
14. 如无必要，请勿在空载状态下操作工具。

15. 某些材料含有有毒化学物质。小心不要吸入粉尘，并避免皮肤接触。遵循材料供应商的安全提示。

请保留此说明书。

警告： 请勿为图方便或因对产品足够熟悉（由于重复使用而获得的经验）而不严格遵循相关产品安全规则。

使用不当或不遵循使用说明书中的安全规则会导致严重的人身伤害。

功能描述

小心：

- 在调节或检查工具功能之前，请务必关闭工具电源开关并拔下电源插头。

开关操作

- **图片1:** 1. 锁定按钮 2. 开关扳机

小心：

- 插上工具电源插头之前，请务必确认开关扳机能够正常工作，松开时能回到“OFF”（关闭）位置。

启动工具时，只要扣动开关扳机即可。松开开关扳机工具即停止。

连续操作时，扣动开关扳机并按下锁定按钮。

要从锁定位置停止工具时，可将开关扳机扣到底，然后松开。

装配

小心：

- 对工具进行任何装配操作前请务必确认机器已关闭且已拔下电源插头。

安装侧把手（辅助手柄）

- **图片2:** 1. 侧把手

侧把手可以旋转到任意一侧，在任何位置都能方便地操作工具。逆时针旋转侧把手可使其松开，将其转至所需位置，然后顺时针旋转拧紧侧把手。

钻头油（选购附件）

请预先在钻头柄上涂抹少量（约0.5 -1 g; 0.02 - 0.04 oz）。卡盘润滑确保了顺利操作和更长的使用寿命。

安装或拆卸钻头

- **图片3:** 1. 钻头 2. 更换挡圈

- **图片4:** 1. 钻头 2. 更换挡圈

将更换挡圈向下拉到底，然后尽量将钻头插入到工具座底部。松开更换挡圈，它将自动恢复到原来位置以固定钻头。安装钻头后，请尝试将其拔出以确保钻头牢固。若要拆卸钻头，请下拉更换挡圈不放手后将钻头拔出。

操作

切削、刮或拆除

需用双手握紧工具。打开工具，轻轻施加压力，这样该工具就不会不受控制地弹跳。使劲按压工具不会增加效果。

保养

小心：

- 检查或保养工具之前，请务必关闭工具电源开关并拔下插头。
- 切勿使用汽油、苯、稀释剂、酒精或类似物品清洁工具。否则可能会导致工具变色、变形或出现裂缝。

更换碳刷

- **图片5:** 1. 换向器 2. 绝缘接头 3. 碳刷

当碳刷内部的树脂绝缘接头暴露并与换向器接触时会自动关闭电机。发生这种情况时，应更换两边碳刷。请保持碳刷清洁并使其在碳刷夹内能自由滑动。两个碳刷应同时替换。请仅使用相同的碳刷。

使用六角扳手拆下后盖。

- **图片6:** 1. 六角扳手 2. 后盖

使用螺丝起子拆下碳刷夹盖。取出已磨损的碳刷，插入新的碳刷，然后紧固碳刷夹盖。

- **图片7:** 1. 螺丝起子 2. 碳刷夹盖

润滑

► 图片8: 1. 锁紧螺母扳手 2. 曲轴箱

由于拥有储油润滑系统，本工具无需每小时或每天进行润滑。工具每运行6个月后再需要重新润滑。请将全套工具送往Makita（牧田）授权维修服务中心或工厂维修服务中心润滑维修。但是，如果由于环境所需您必须亲自进行润滑，请根据以下步骤操作。开动工具几分钟以便进行预热。然后关闭电源并拔下工具的插头。

使用Makita（牧田）锁紧螺母扳手35（选购附件）取下曲轴箱。将工具钻头尖端向上放置在工作台上。该步骤有助于旧润滑脂在曲柄箱内集中。

擦去里面用过的润滑油，加入新的润滑油（30 g；1 oz）。请仅使用正品Makita（牧田）电镐油（选购附件）。加入超过指定量（约30 g；1 oz）的润滑油将导致电镐误动作或工具故障。请务必按规定量加入润滑脂。

► 图片9: 1. 电镐油

重新安装曲轴箱并用锁紧螺母扳手拧紧。

小心:

- 请勿过分拧紧曲轴箱。曲轴箱由树脂做成，容易破损。

为了保证产品的安全与可靠性，维修、任何其他维修保养或调节需由Makita（牧田）授权的维修服务中心完成。务必使用Makita（牧田）的替换部件。

选购附件

小心:

- 这些附件或装置专用于本说明书所列的Makita（牧田）电动工具。其他附件或装置的使用可能会有人身伤害风险。仅可将附件或装置用于规定目的。

如您需要了解更多关于这些选购附件的信息，请咨询当地的Makita（牧田）维修服务中心。

- 尖凿
- 冷凿
- 铲锈凿
- 泥铲
- 开槽凿
- 撞锤
- 衬套工具
- 接地棒转接头
- 锁紧螺母扳手
- 六角扳手
- 安全护目镜
- 电镐油
- 携带箱
- 钻头润滑脂

注:

- 本列表中的一些部件可能作为标准配件包含于工具包装内。它们可能因销往国家之不同而异。

SPEKIFIKASI

Model	HM0810T
Hantaman per menit	2.900 min ⁻¹
Panjang keseluruhan	428 mm
Berat bersih	6,3 kg
Kelas keamanan	□/II

- Karena kesinambungan program penelitian dan pengembangan kami, spesifikasi yang disebutkan di sini dapat berubah tanpa pemberitahuan.
- Spesifikasi dapat berbeda dari satu negara ke negara lainnya.
- Berat menurut Prosedur EPTA 01/2014

Simbol

Berikut ini adalah simbol-simbol yang digunakan pada peralatan ini. Pastikan Anda memahami arti masing-masing simbol sebelum menggunakan alat.



Baca petunjuk penggunaan.



ISOLASI GANDA



Hanya untuk negara Uni Eropa
 Jangan membuang peralatan listrik bersama dengan material limbah rumah tangga!
 Dengan memerhatikan Direktif Eropa tentang Limbah Peralatan Listrik dan Elektronik serta pelaksanaannya sesuai dengan ketentuan hukum nasional, peralatan listrik yang telah habis masa pakainya harus dikumpulkan secara terpisah dan dikembalikan ke fasilitas daur ulang yang kompatibel dengan lingkungan.

Penggunaan

Mesin ini digunakan untuk memahat beton, batu bata, batu dan aspal serta untuk memasang dan memadamkan dengan aksesoris yang sesuai.

Pasokan daya

Mesin harus terhubung dengan pasokan daya listrik yang bervoltase sama dengan yang tertera pada pelat nama, dan hanya dapat dijalankan dengan listrik AC fase tunggal. Mesin diisolasi ganda sehingga dapat juga dihubungkan dengan soket tanpa kabel arde.

Peringatan Keselamatan Umum Mesin Listrik

⚠ PERINGATAN Bacalah semua peringatan keselamatan dan semua petunjuk. Kelalaian mematuhi peringatan dan petunjuk dapat menyebabkan sengatan listrik, kebakaran dan/atau cedera serius.

Simpanlah semua peringatan dan petunjuk untuk acuan di masa depan.

Istilah “mesin listrik” dalam semua peringatan mengacu pada mesin listrik yang dijalankan dengan sumber listrik jala-jala (berkabel) atau baterai (tanpa kabel).

Keselamatan tempat kerja

1. **Jaga tempat kerja selalu bersih dan berpenerangan cukup.** Tempat kerja yang berantakan dan gelap mengundang kecelakaan.
2. **Jangan gunakan mesin listrik dalam lingkungan yang mudah meledak, misalnya terdapat cairan, gas, atau debu yang mudah terbakar.** Mesin listrik menimbulkan bunga api yang dapat membakar debu atau uap tersebut.
3. **Jauhkan anak-anak dan orang lain saat menggunakan mesin listrik.** Jika perhatian terpecah, Anda mungkin saja kehilangan kendali.

Keamanan Kelistrikan

4. **Steker mesin listrik harus cocok dengan stopkontak. Jangan sekali-kali mengubah steker dengan cara apa pun. Jangan menggunakan steker adaptor dengan mesin listrik yang terbumi (dibumikan).** Steker yang tidak diubah dan stopkontak yang cocok akan mengurangi risiko sengatan listrik.
5. **Hindari sentuhan tubuh dengan permukaan yang terbumi atau dibumikan seperti pipa, radiator, kompor, dan kulkas.** Risiko sengatan listrik bertambah jika ada bagian tubuh Anda yang menyentuh bumi atau tanah.
6. **Jangan membiarkan mesin listrik kehujanan atau basah.** Air yang masuk ke dalam mesin listrik akan meningkatkan risiko sengatan listrik.
7. **Jangan menyalahgunakan kabel. Jangan sekali-kali menggunakan kabel untuk membawa, menarik, atau mencabut mesin listrik dari stopkontak. Jauhkan kabel dari panas, minyak, tepian tajam, atau bagian yang bergerak.** Kabel yang rusak atau kusut memperbesar risiko sengatan listrik.
8. **Jika menggunakan mesin listrik di luar ruangan, gunakan kabel ekstensi yang sesuai dengan penggunaan di luar ruangan.** Menggunakan kabel yang sesuai dengan penggunaan luar ruangan akan mengurangi risiko sengatan listrik.

9. Jika mengoperasikan mesin listrik di lokasi lembap tidak terhindarkan, gunakan pasokan daya yang dilindungi peranti imbasan arus (residual current device - RCD). Penggunaan RCD mengurangi risiko sengatan listrik.
10. Disarankan untuk menggunakan pasokan daya melalui RCD dengan kapasitas arus sisa 30mA atau kurang.

Keselamatan Diri

11. Jaga kewaspadaan, perhatikan pekerjaan Anda dan gunakan akal sehat saat menggunakan mesin listrik. Jangan menggunakan mesin listrik saat Anda lelah atau di bawah pengaruh obat-obatan, alkohol, atau dalam masa pengobatan. Sesaat saja Anda lalai saat menggunakan mesin listrik dapat menyebabkan cedera badan serius.
12. Gunakan alat pelindung diri. Selalu gunakan pelindung mata. Penggunaan peralatan pelindung seperti masker debu, sepatu pengaman anti-selip, helm pengaman, atau pelindung telinga untuk kondisi yang sesuai akan mengurangi risiko cedera badan.
13. Cegah penyalakan yang tidak disengaja. Pastikan bahwa sakelar berada dalam posisi mati (off) sebelum menghubungkan mesin ke sumber daya dan/atau paket baterai, mengangkut, atau membawanya. Membawa mesin listrik dengan jari berada di sakelar atau mengalirkan listrik pada mesin listrik dengan sakelar hidup (on) akan mengundang kecelakaan.
14. Lepaskan kunci-kunci penyetel sebelum menghidupkan mesin listrik. Kunci-kunci yang masih terpasang pada bagian mesin listrik yang berputar dapat menyebabkan cedera.
15. Jangan meraih terlalu jauh. Selalu jagalah pijakan dan keseimbangan. Hal ini meningkatkan pengendalian mesin listrik yang lebih baik dalam situasi yang tidak diharapkan.
16. Kenakan pakaian dengan baik. Jangan memakai pakaian yang kedodoran atau perhiasan. Jaga jarak antara rambut, pakaian, dan sarung tangan Anda dengan bagian mesin yang bergerak. Pakaian kedodoran, perhiasan, atau rambut panjang dapat tersangkut pada bagian yang bergerak.
17. Jika pada peranti tersedia fasilitas untuk menghisap dan mengumpulkan debu, pastikan fasilitas tersebut terhubung listrik dan digunakan dengan baik. Penggunaan pembersih debu dapat mengurangi bahaya yang terkait dengan debu.

Penggunaan dan pemeliharaan mesin listrik

18. Jangan memaksa mesin listrik. Gunakan mesin listrik yang tepat untuk keperluan Anda. Mesin listrik yang tepat akan menuntaskan pekerjaan dengan lebih baik dan aman jika pada kecepatan sesuai rancangannya.
19. Jangan menggunakan mesin listrik jika sakelar tidak dapat menyalakan dan mematikannya. Mesin listrik yang tidak dapat dikendalikan dengan sakelarnya akan berbahaya dan harus diperbaiki.

20. Cabut steker dari sumber listrik dan/atau paket baterai dari mesin listrik sebelum melakukan penyetyelan, penggantian aksesoris, atau menyimpan mesin listrik. Langkah keselamatan preventif tersebut mengurangi risiko hidupnya mesin secara tak sengaja.
21. Simpan mesin listrik jauh dari jangkauan anak-anak dan jangan biarkan orang yang tidak paham mengenai mesin listrik tersebut atau petunjuk ini untuk menggunakan mesin listrik. Mesin listrik sangat berbahaya di tangan pengguna yang tidak terlatih.
22. Rawatlah mesin listrik. Periksa apakah ada bagian bergerak yang tidak sejajar atau macet, bagian yang pecah, dan kondisi lain yang dapat memengaruhi penggunaan mesin listrik. Jika rusak, perbaiki mesin listrik terlebih dahulu sebelum digunakan. Banyak kecelakaan disebabkan oleh kurangnya pemeliharaan mesin listrik.
23. Jaga agar mesin pemotong tetap tajam dan bersih. Mesin pemotong yang terawat baik dengan mata pemotong yang tajam tidak mudah macet dan lebih mudah dikendalikan.
24. Gunakan mesin listrik, aksesoris, dan mata mesin, dll. berdasarkan petunjuk ini, dengan memperhitungkan kondisi kerja dan jenis pekerjaan yang dilakukan. Pemakaian mesin listrik untuk penggunaan selain yang diperuntukkan dapat menimbulkan situasi berbahaya.

Servis

25. Bawa mesin listrik untuk diperbaiki hanya kepada oleh teknisi yang berkualifikasi menggunakan hanya suku cadang pengganti yang serupa. Hal ini akan menjamin terjaganya keamanan mesin listrik.
26. Patuhi petunjuk pelumasan dan penggantian aksesoris.
27. Jagalah agar gagang kering, bersih, serta bebas dari minyak dan gemuk.

PERINGATAN KESELAMATAN MESIN BOBOK

1. Kenakan pelindung telinga. Terpaan kebisingan dapat menyebabkan hilangnya pendengaran.
2. Gunakan gagang tambahan, jika disertakan bersama mesin ini. Kehilangan kendali dapat menyebabkan cedera.
3. Pegang mesin listrik pada permukaan genggam yang terisolasi saat melakukan pekerjaan bila aksesoris pemotong mungkin bersentuhan dengan kawat tersembunyi atau kabelnya sendiri. Aksesoris pemotong yang menyentuh kawat "hidup" dapat menyebabkan bagian logam pada mesin teraliri arus listrik dan menyengat pengguna.
4. Kenakan helm pengaman, kacamata pengaman dan/atau pelindung muka. Kacamata biasa atau kacamata hitam BUKANLAH kacamata pengaman. Anda sangat dianjurkan untuk mengenakan masker debu dan sarung tangan tebal.

5. Pastikan mata mesin terpasang pada tempatnya sebelum penggunaan.
6. Pada penggunaan normal, mesin dirancang untuk menghasilkan getaran. Sekrup bisa menjadi longgar dengan mudah, menyebabkan kerusakan atau kecelakaan. Periksa kekencangan sekrup sebelum penggunaan.
7. Pada cuaca dingin atau ketika mesin telah lama tidak digunakan, lakukan pemanasan pada mesin beberapa saat dengan mengoperasikannya tanpa beban. Hal ini akan memperlancar pelumasan. Tanpa pemanasan yang tepat, pengerjaan pembobokan menjadi sulit.
8. Selalu pastikan Anda berdiri pada pijakan yang stabil. Pastikan tidak ada orang berada di bawah Anda saat menggunakan mesin di tempat yang tinggi.
9. Pegang mesin kuat-kuat dengan kedua tangan.
10. Jauhkan tangan dari bagian yang berputar.
11. Jangan tinggalkan mesin dalam keadaan hidup. Jalankan mesin hanya ketika digenggam dengan tangan.
12. Jangan mengarahkan mesin pada siapa pun di tempat kerja ketika mengoperasikan. Mata mesin bisa terlempar dan melukai orang dengan serius.
13. Jangan menyentuh mata mesin atau bagian yang berdekatan dengan mata mesin segera setelah pengoperasian; suhunya mungkin masih sangat panas dan dapat membakar kulit Anda.
14. Jangan mengoperasikan mesin tanpa beban dengan tanpa keperluan.
15. Bahan tertentu mengandung zat kimia yang mungkin beracun. Hindari menghirup debu dan kontak dengan kulit. Ikuti data keselamatan bahan dari pemasok.

SIMPAN PETUNJUK INI.

⚠️PERINGATAN: JANGAN biarkan kenyamanan atau terbiasanya Anda dengan produk (karena penggunaan berulang) menggantikan kepatuhan yang ketat terhadap aturan keselamatan untuk produk yang terkait.
PENYALAHGUNAAN atau kelalaian mematuhi kaidah keselamatan yang tertera dalam petunjuk penggunaan ini dapat menyebabkan cedera badan serius.

DESKRIPSI FUNGSI

⚠️PERHATIAN:

- Selalu pastikan bahwa mesin dalam keadaan mati dan steker tercabut sebelum menyetel atau memeriksa kerja mesin.

Kerja sakelar

► **Gbr.1:** 1. Tombol kunci 2. Pelatuk sakelar

⚠️PERHATIAN:

- Sebelum memasukkan steker, selalu pastikan pelatuk sakelar berfungsi dengan baik dan kembali ke posisi "MATI" saat dilepas.

Untuk menjalankan mesin, cukup tarik pelatuk sakelar. Lepaskan pelatuk sakelar untuk berhenti. Untuk penggunaan terus-menerus, tarik pelatuk sakelar dan kemudian tekan tombol kunci. Untuk membuka penguncian mesin, tarik pelatuk sakelar sampai penuh, lalu lepaskan.

PERAKITAN

⚠️PERHATIAN:

- Pastikan bahwa mesin dalam keadaan mati dan steker tercabut sebelum melakukan pekerjaan apa pun pada mesin.

Memasang gagang sisi (pegangan tambahan)

► **Gbr.2:** 1. Gagang sisi

Gagang sisi dapat diputar posisinya ke sisi mana pun, sehingga memudahkan dalam memegang mesin pada posisi apa pun. Kendurkan gagang sisi dengan memutarnya berlawanan arah jarum jam, putar ke posisi yang diinginkan kemudian kencangkan dengan memutarnya searah jarum jam.

Gemuk mata mesin (pilihan aksesoris)

Lapisi sebelumnya kepala tirus dengan sedikit gemuk mata mesin (sekitar 0,5 - 1 g; 0,02 - 0,04 ons). Pelumasan cekam ini menjamin kelancaran kerja dan memperpanjang umur pemakaian mesin.

Memasang atau melepas mata mesin

► **Gbr.3:** 1. Mata mesin 2. Cincin pengubah

► **Gbr.4:** 1. Mata mesin 2. Cincin pengubah

Tarik cincin pengubah sepenuhnya dan masukkan mata mesin ke dalam pemegang alat sejauh mungkin. Lepas cincin pengubah makan cincin tersebut akan kembali ke posisi semula untuk mengencangkan mata mesin. Setelah memasang, selalu pastikan bahwa mata mesin benar-benar terpasang pada tempatnya dengan mencoba menariknya keluar. Untuk melepas mata mesin, tarik cincin pengubah sepenuhnya dan tarik mata mesin keluar.

PENGUNAAN

Menyerpih/Menumbuk/Membobok

Pegang mesin kuat-kuat dengan kedua tangan. Nyalakan mesin dan beri sedikit tekanan pada mesin sehingga mesin tidak akan memantul, tidak terkendali. Terlalu menekan mesin tidak akan meningkatkan efisiensinya.

PERAWATAN

⚠️ PERHATIAN:

- Selalu pastikan bahwa mesin dimatikan dan steker dicabut sebelum melakukan pemeriksaan atau perawatan.
- Jangan sekali-kali menggunakan bensin, tiner, alkohol, atau bahan sejenisnya. Penggunaan bahan tersebut dapat menyebabkan perubahan warna, perubahan bentuk, atau timbulnya retakan.

Mengganti sikat karbon

► **Gbr.5:** 1. Komutator 2. Ujung isolasi 3. Sikat karbon

Jika ujung isolasi resin di dalam sikat karbon dibiarkan mengenai komutator, akan mematikan motor secara otomatis. Jika hal ini terjadi, kedua sikat karbon harus diganti. Jaga agar sikat karbon tetap bersih dan tidak bergeser dari tempatnya. Kedua sikat karbon harus diganti pada waktu yang sama. Hanya gunakan sikat karbon yang sama.

Gunakan kunci L untuk melepaskan tutup belakang.

► **Gbr.6:** 1. Kunci L 2. Tutup belakang

Gunakan obeng untuk melepaskan tutup tempat sikat. Tarik keluar sikat karbon yang aus, masukkan yang baru dan pasang tutup tempat sikat.

► **Gbr.7:** 1. Obeng 2. Tutup tempat sikat

Pelumasan

► **Gbr.8:** 1. Kunci pas mur kunci 2. Tutup engkol

Mesin ini tidak memerlukan pelumasan setiap jam atau harian karena mempunyai sistem pelumasan gemuk yang telah terpasang. Pelumasan ulang harus dilakukan setelah setiap 6 bulan penggunaan. Kirimkan mesin dengan lengkap ke Pusat Layanan Resmi atau Pabrik Makita untuk pelumasan tersebut. Tetapi, jika keadaan mengharuskan Anda melumasinya sendiri, lakukan sebagaimana berikut.

Nyalakan mesin selama beberapa menit untuk pemanasan. Matikan dan cabut steker mesin. Lepas tutup engkol dengan menggunakan kunci pas mur kunci Makita 35 (pilihan aksesoris). Letakkan mesin di atas meja dengan ujung mata mesin menghadap ke atas. Hal ini akan membuat gemuk bekas bisa terkumpul di dalam rumah engkol.

Lap gemuk bekas di dalamnya dan ganti dengan gemuk yang baru (30 g; 1 ons). Hanya gunakan gemuk mesin bor getar asli buatan Makita (aksesori pilihan). Melumasi dengan gemuk lebih dari yang ditentukan (kira-kira 30 g; 1 ons) bisa menyebabkan mesin bobok tidak bekerja dengan baik atau rusak. Lumasi sesuai dengan yang ditentukan banyaknya.

► **Gbr.9:** 1. Gemuk mesin bor getar

Pasang kembali tutup engkol dan kencangkan dengan kunci pas mur kunci.

⚠️ PERHATIAN:

- Jangan mengencangkan tutup engkol terlalu kuat. Tutup engkol terbuat dari resin dan mudah pecah.

Untuk menjaga KEAMANAN dan KEANDALAN produk, perbaikan, perawatan lain, atau penyetelan harus dilakukan oleh Pusat Layanan Resmi Makita dan selalu gunakan suku cadang pengganti buatan Makita.

AKSESORI PILIHAN

⚠️ PERHATIAN:

- Dianjurkan untuk menggunakan aksesoris atau perangkat tambahan ini dengan mesin Makita Anda yang ditentukan dalam petunjuk ini. Penggunaan aksesoris atau perangkat tambahan lain bisa menyebabkan risiko cedera pada manusia. Hanya gunakan aksesoris atau perangkat tambahan sesuai dengan peruntukannya.

Jika Anda memerlukan bantuan lebih terperinci berkenaan dengan aksesoris ini, tanyakan pada Pusat Layanan Makita terdekat.

- Pahat beton
- Pahat besi
- Pahat tumbuk
- Sekop lempung
- Pahat alur
- Penumbuk
- Alat pasang bos
- Adaptor batang arde
- Kunci pas mur kunci
- Kunci L
- Kacamata pelindung
- Gemuk mesin bor getar
- Tas jinjing
- Gemuk mata mesin

CATATAN:

- Beberapa item dalam daftar tersebut mungkin sudah termasuk dalam paket mesin sebagai aksesoris standar. Hal tersebut dapat berbeda dari satu negara ke negara lainnya.

SPEKIFIKASI

Model	HM0810T
Pukulan seminit	2,900 min ⁻¹
Panjang keseluruhan	428 mm
Berat bersih	6.3 kg
Kelas keselamatan	□/II

- Disebabkan program penyelidikan dan pembangunan kami yang berterusan, spesifikasi yang terkandung di dalam ini adalah tertakluk kepada perubahan tanpa notis.
- Spesifikasi mungkin berbeza mengikut negara.
- Berat mengikut Prosedur EPTA 01/2014

Simbol

Berikut menunjukkan simbol-simbol yang digunakan untuk alat ini. Pastikan anda memahami maksudnya sebelum menggunakan.



Baca manual arahan.



PENEBATAN BERGANDA



Hanya untuk negara-negara Kesatuan Eropah
 Jangan buang peralatan elektrik bersama bahan buangan isi rumah!
 Dalam mematuhi Arahan Eropah mengenai Sisa Peralatan Elektrik dan Elektronik serta pelaksanaannya mengikut undang-undang negara, peralatan elektrik yang telah mencapai akhir hayatnya mesti dikumpul secara berasingan dan dikembalikan ke kemudahan kitar semula yang bersesuaian dengan alam sekitar.

Tujuan penggunaan

Alat ini bertujuan untuk kerja memahat konkrit, bata, batu dan asfalt serta untuk memacu dan memadatkan dengan menggunakan aksesori yang betul.

Bekalan kuasa

Alat ini perlu disambungkan hanya kepada bekalan kuasa dengan voltan yang sama seperti yang ditunjukkan pada papan nama, dan hanya boleh dikendalikan pada bekalan AC fasa tunggal. Ia mempunyai penebatan berganda dan oleh itu, ia juga boleh digunakan dari soket tanpa wayar bumi.

Amaran Keselamatan Umum Alat Kuasa

⚠️AMARAN Baca semua amaran keselamatan dan semua arahan. Kegagalan mematuhi amaran dan arahan boleh menyebabkan kejutan elektrik, kebakaran dan/atau kecederaan serius.

Simpan semua amaran dan arahan untuk rujukan masa depan.

Istilah “alat kuasa” dalam amaran merujuk kepada alat kuasa yang menggunakan tenaga elektrik (dengan kord) atau alat kuasa yang menggunakan bateri (tanpa kord).

Keselamatan kawasan kerja

1. **Pastikan kawasan kerja bersih dan terang.** Kawasan berselerak atau gelap mengundang kemalangan.
2. **Jangan kendalikan alat kuasa dalam keadaan yang mudah meletup, seperti dalam kehadiran cecair, gas atau habuk yang mudah terbakar.** Alat kuasa menghasilkan percikan api yang boleh menyalaikan debu atau wasap.
3. **Jauhkan kanak-kanak dan orang ramai semasa mengendalikan alat kuasa.** Gangguan boleh menyebabkan anda hilang kawalan.

Keselamatan elektrik

4. **Palam alat kuasa mesti sepadan dengan soket. Jangan ubah suai palam dalam apa cara sekalipun. Jangan gunakan sebarang palam penyesuai dengan alat kuasa terbumi.** Palam yang tidak diubah suai dan soket yang sepadan akan mengurangkan risiko kejutan elektrik.
5. **Elakkan sentuhan badan dengan permukaan terbumi, seperti paip, radiator, dapur dan peti sejuk.** Terdapat peningkatan risiko kejutan elektrik jika elektrik terbumi terkena badan anda.
6. **Jangan biarkan alat kuasa terkena hujan atau basah.** Air yang memasuki alat kuasa akan meningkatkan risiko kejutan elektrik.
7. **Jangan salah gunakan kord. Jangan gunakan kord untuk membawa, menarik atau mencabut palam alat kuasa. Jauhkan kord dari haba, minyak, bucu tajam atau bahagian yang bergerak.** Kord yang rosak atau tersimpul meningkatkan risiko kejutan elektrik.
8. **Semasa mengendalikan alat kuasa di luar, gunakan kord sambungan yang bersesuaian untuk kegunaan luar.** Penggunaan kord yang sesuai untuk kegunaan luar mengurangkan risiko kejutan elektrik.
9. **Sekiranya pengendalian alat kuasa di lokasi lembap tidak dapat dielakkan, gunakan bekalan peranti arus sisa (RCD) yang dilindungi.** Penggunaan RCD mengurangkan risiko kejutan elektrik.

10. **Penggunaan bekalan kuasa melalui RCD dengan arus sisa yang bernilai 30 mA atau kurang sentiasa disyorkan.**

Keselamatan diri

11. **Sentiasa berwaspada, perhatikan apa yang anda lakukan dan guna akal budi semasa mengendalikan alat kuasa. Jangan gunakan alat kuasa semasa anda letih atau di bawah pengaruh dadah, alkohol atau ubat.** Kelekaan seketika semasa mengendalikan alat kuasa boleh menyebabkan kecederaan diri yang serius.
12. **Gunakan peralatan pelindung diri. Sentiasa pakai pelindung mata.** Peralatan pelindung seperti topeng debu, kasut keselamatan tak mudah tergelincir, topi keselamatan atau pelindung pendengaran yang digunakan untuk keadaan yang sesuai akan mengurangkan kecederaan diri.
13. **Elakkan permulaan yang tidak disengajakan. Pastikan suis ditutup sebelum menyambung kepada sumber kuasa dan/atau pek bateri, semasa mengangkat atau membawa alat.** Membawa alat kuasa dengan jari anda pada suis atau alat kuasa dengan suis pada kedudukan hidup mengundang kemalangan.
14. **Alihkan sebarang kunci atau sepana pelaras sebelum menghidupkan alat kuasa.** Sepana atau kunci yang ditinggalkan pada bahagian berputar alat kuasa boleh menyebabkan kecederaan diri.
15. **Jangan lampau jangkau. Jaga pijakan dan keseimbangan yang betul pada setiap masa.** Ini membolehkan kawalan alat kuasa yang lebih baik dalam situasi yang tidak dijangka.
16. **Berpakaian dengan betul. Jangan pakai pakaian yang longgar atau barang kemas. Jauhkan rambut, pakaian, dan sarung tangan anda dari bahagian yang bergerak.** Pakaian longgar, barang kemas atau rambut yang panjang boleh terperangkap dalam bahagian yang bergerak.
17. **Jika peranti disediakan untuk sambungan kemudahan pengekstrakan dan pengumpulan habuk, pastikan ia disambung dan digunakan dengan betul.** Penggunaan pengumpulan habuk boleh mengurangkan bahaya berkaitan habuk.

Penggunaan dan penjagaan alat kuasa

18. **Jangan gunakan alat kuasa dengan kasar. Gunakan alat kuasa yang betul untuk penggunaan anda.** Alat kuasa yang betul akan melakukan tugas dengan lebih baik dan lebih selamat pada kadar mana ia direka cipta.
19. **Jangan gunakan alat kuasa jika suis tidak berfungsi untuk menghidupkan dan mematakannya.** Alat kuasa yang tidak dapat dikawal dengan suis adalah berbahaya dan mesti dibaiki.
20. **Cabut palam dari sumber kuasa dan/atau pek bateri dari alat kuasa sebelum membuat sebarang pelarasan, menukar aksesori, atau menyimpan alat kuasa.** Langkah-langkah keselamatan pencegahan sedemikian mengurangkan risiko memulakan alat kuasa secara tidak sengaja.

21. **Simpan alat kuasa yang tidak digunakan jauh dari jangkauan kanak-kanak dan jangan biarkan orang yang tidak biasa dengan alat kuasa atau arahan ini untuk mengendalikan alat kuasa.** Alat kuasa adalah berbahaya di tangan pengguna yang tidak terlatih.
22. **Menyelenggara alat kuasa. Periksa salah jajaran atau ikatan pada bahagian yang bergerak, bahagian yang pecah dan apa-apa keadaan lain yang boleh menjejaskan operasi alat kuasa. Jika rosak, baiki alat kuasa sebelum digunakan.** Kebanyakan kemalangan adalah disebabkan oleh alat kuasa yang tidak dijaga dengan baik.
23. **Pastikan alat pemotong tajam dan bersih.** Alat pemotong yang dijaga dengan betul dengan hujung pemotong yang tajam mempunyai kemungkinan yang rendah untuk terikat dan lebih mudah dikendalikan.
24. **Gunakan alat kuasa, aksesori dan alat bit dan sebagainya mengikut arahan ini dengan mengambil kira keadaan kerja dan kerja yang perlu dilakukan.** Penggunaan alat kuasa untuk operasi yang berbeza dari yang dimaksudkan boleh menyebabkan keadaan berbahaya.

Servis

25. **Pastikan alat kuasa anda diservis oleh orang yang berkelayakan dengan hanya menggunakan alat ganti yang sama.** Ini akan memastikan keselamatan alat kuasa dapat dikekalkan.
26. **Ikut arahan untuk melincir dan menukar aksesori.**
27. **Pastikan pemegang sentiasa kering, bersih dan bebas dari minyak dan gris.**

AMARAN KESELAMATAN TUKUL

1. **Pakai pelindung telinga.** Pendedahan kepada bunyi bising boleh menyebabkan kehilangan pendengaran.
2. **Gunakan pemegang tambahan, jika dibekalkan dengan alat.** Hilang kawalan boleh menyebabkan kecederaan diri.
3. **Pegang alat kuasa menggunakan permukaan mencengkam tertebat apabila melakukan operasi yang aksesori pemotong mungkin tersentuh wayar tersembunyi atau kordnya sendiri.** Aksesori pemotong yang bersentuh dengan wayar "hidup" boleh menyebabkan bahagian logam terdedah alat kuasa "hidup" dan boleh memberi kejutan elektrik kepada pengendali.
4. **Pakai topi keselamatan (topi keledar), cermin mata keselamatan dan/atau pelindung muka. Cermin mata atau cermin mata gelap biasa BUKAN cermin mata keselamatan. Ia juga sangat disyorkan untuk anda memakai topeng habuk dan sarung tangan tebal.**
5. **Pastikan bit dipasang dengan betul sebelum operasi.**
6. **Di bawah operasi biasa, alat ini direka untuk menghasilkan getaran. Skru boleh menjadi longgar dengan mudah yang menyebabkan kerosakan atau kemalangan. Periksa keketatan skru dengan teliti sebelum operasi.**

7. Dalam cuaca sejuk atau apabila alat tidak digunakan untuk jangka masa yang panjang, biarkan alat dipanaskan seketika dengan mengendalikannya tanpa sebarang beban. Ini akan mencairkan pelinciran. Tanpa pemanasan yang betul, operasi menukul adalah sukar.
8. Sentiasa pastikan anda mempunyai tapak berpijak yang kukuh. Pastikan tiada sesiapa di bawah apabila menggunakan alat di lokasi yang tinggi.
9. Pegang alat dengan kukuh menggunakan kedua-dua tangan.
10. Jauhkan tangan dari bahagian bergerak.
11. Jangan tinggalkan alat yang sedang berjalan. Kendalikan alat hanya apabila dipegang.
12. Jangan halakan alat kepada sesiapa di kawasan sekitar semasa mengendalikan. Bit boleh terbang dan mencederakan seseorang dengan serius.
13. Jangan sentuh bit atau bahagian yang dekat dengan bit dengan serta-merta selepas operasi; ia mungkin panas dan boleh membakar kulit anda.
14. Jangan kendalikan alat tanpa beban tanpa keperluan.
15. Sesetengah bahan mengandungi bahan kimia yang mungkin toksik. Sila berhati-hati untuk mencegah penyedutan habuk dan sentuhan kulit. Ikut data keselamatan pembekal bahan.

SIMPAN ARAHAN INI.

⚠️AMARAN: JANGAN biarkan keselesaan atau kebiasaan dengan produk (daripada penggunaan berulang) menggantikan pematuhan ketat terhadap peraturan keselamatan untuk produk yang ditetapkan. SALAH GUNA atau kegagalan untuk mematuhi peraturan-peraturan keselamatan yang dinyatakan dalam manual arahan ini boleh menyebabkan kecederaan diri yang serius.

KETERANGAN FUNGSI

⚠️PERHATIAN:

- Sentiasa pastikan alat dimatikan dan palamnya dicabut sebelum menyelaras atau menyemak fungsi pada alat.

Tindakan suis

- **Rajah1:** 1. Butang kunci 2. Pemicu suis

⚠️PERHATIAN:

- Sebelum memasang alat, sentiasa periksa untuk melihat pemicu suis bergerak dengan betul dan kembali ke posisi "OFF" apabila dilepaskan.

Untuk memulakan alat, hanya tarik pemicu suis.

Lepaskan pemicu suis untuk berhenti.

Untuk operasi berterusan, tarik pemicu suis dan kemudian tolak masuk butang kunci.

Untuk menghentikan alat dari kedudukan terkunci, tarik pemicu suis sepenuhnya, kemudian lepaskan.

PEMASANGAN

⚠️PERHATIAN:

- Sentiasa pastikan alat dimatikan dan palamnya dicabut sebelum menjalankan apa-apa kerja pada alat.

Memasang genggaman sisi (pemegang tambahan)

- **Rajah2:** 1. Genggaman sisi

Genggaman sisi berayun ke salah satu sisi, membolehkan pengendalian yang mudah bagi alat pada sebarang kedudukan. Longgarkan genggaman sisi dengan memutarannya pada arah lawan jam, ayunkannya kepada kedudukan yang dikehendaki dan kemudian ketatkan mengikut arah jam.

Gris bit (aksesori pilihan)

Salut kepala tangkai bit dengan sedikit gris bit sebelum menggunakannya (lebih kurang 0.5 -1 g; 0.02 - 0.04 auns). Pelinciran cuk ini memastikan tindakan yang lancar dan hayat perkhidmatan yang lebih lama.

Memasang atau menanggalkan bit

- **Rajah3:** 1. Bit 2. Gelang penukar

- **Rajah4:** 1. Bit 2. Gelang penukar

Tarik gelang penukar ke bawah sepenuhnya dan masukkan bit ke alat tersebut setakat ia boleh dimasukkan. Lepaskan gelang penukar dan ia akan kembali secara automatik ke posisi asal untuk mengemaskan bit. Selepas memasang, sentiasa pastikan bit dipasang kemas dengan cuba menariknya keluar. Untuk menanggalkan bit, tarik gelang penukar ke bawah sepenuhnya dan tarik bit keluar.

OPERASI

Menyerpih/Menskala/Meroboh

Pegang alat dengan kukuh menggunakan kedua-dua tangan. Hidupkan alat dan beri sedikit tekanan pada alat supaya alat tidak akan melantun dan tidak terkawal. Menekan alat dengan sangat kuat tidak akan menambah kecekapan.

PENYELENGGARAAN

⚠ PERHATIAN:

- Sentiasa pastikan alat dimatikan dan palamnya dicabut sebelum cuba menjalankan pemeriksaan atau penyelenggaraan.
- Jangan gunakan gasolin, benzin, pencair, alkohol atau bahan yang serupa. Ia boleh menyebabkan perubahan warna, bentuk atau keretakan.

Menggantikan berus karbon

- **Rajah5:** 1. Penukar tertib 2. Hujung penebat 3. Berus karbon

Apabila hujung penebat resin di dalam berus karbon terdedah kepada sentuhan penukar tertib, ia akan memadamkan motor secara automatik. Apabila ini berlaku, kedua-dua berus karbon perlu diganti. Pastikan berus karbon sentiasa bersih dan mudah untuk diselitkan ke dalam pemegang. Kedua-dua berus karbon perlulah diganti pada masa yang sama. Gunakan hanya berus karbon yang serupa. Gunakan kunci allen untuk menanggalkan penutup belakang alat.

- **Rajah6:** 1. Kunci allen 2. Penutup belakang

Gunakan pemutar skru untuk menanggalkan penutup pemegang berus. Keluarkan berus karbon yang telah haus, masukkan berus baharu dan ketatkan penutup pemegang berus.

- **Rajah7:** 1. Pemutar skru 2. Penutup pemegang berus

Pelinciran

- **Rajah8:** 1. Perengkuh nat kunci 2. Penutup engkol

Alat ini tidak memerlukan pelinciran setiap jam atau setiap hari kerana ia mempunyai sistem pelinciran terpadat gris. Ia perlu disapu pelincir semula selepas setiap 6 bulan dioperasikan. Hantar alat yang lengkap ke Pusat Servis Makita yang Diiktiraf atau Pusat Servis Kilang untuk perkhidmatan pelinciran ini. Walau bagaimanapun, jika berlaku sebarang situasi apabila anda perlu menyapu pelincir sendiri, lakukan seperti berikut.

Jalankan alat selama beberapa minit bagi memanaskannya. Padam dan cabut palam alat. Keluarkan penutup engkol menggunakan perengkuh nat kunci 35 Makita (aksesori pilihan). Rehatkan alat di atas meja dengan hujung bit menghadap ke atas. Ini akan membenarkan gris yang lama berkumpul di dalam perumah engkol.

Lap gris yang lama dan gantikan dengan gris baharu (30 g; 1 auns). Gunakan hanya gris tukul Makita yang tulen (aksesori pilihan). Mengisi gris lebih daripada jumlah yang ditentukan (lebih kurang 30 g; 1 auns) boleh menyebabkan kegagalan tindakan menukul atau kegagalan alat. Isi hanya dengan jumlah gris yang ditentukan.

- **Rajah9:** 1. Gris tukul

Pasang semula penutup engkol dan ketatkan dengan perengkuh nat kunci.

⚠ PERHATIAN:

- Jangan pasang penutup engkol terlampau ketat. Ia diperbuat daripada resin dan mudah pecah.

Untuk mengekalkan KESELAMATAN dan KEBOLEHPERCAYAAN produk, pembaikan, sebarang penyelenggaraan atau penyesuaian lain perlu dilakukan oleh Kilang atau Pusat Servis Makita yang Diiktiraf, sentiasa gunakan alat ganti Makita.

AKSESORI PILIHAN

⚠ PERHATIAN:

- Aksesori-aksesori atau lampiran-lampiran ini adalah disyorkan untuk digunakan dengan alat Makita anda yang ditentukan dalam manual ini. Penggunaan mana-mana aksesori-aksesori atau lampiran-lampiran lain mungkin mengakibatkan risiko kecederaan kepada orang. Hanya gunakan aksesori atau lampiran untuk tujuan yang dinyatakan.

Jika anda memerlukan bantuan untuk butiran lanjut berkenaan aksesori-aksesori ini, tanya Pusat Servis Makita tempatan anda.

- Mata bull
- Pahat sejuk
- Pahat penskalaan
- Penceduk lempung
- Pahat pelurahan
- Pelantak
- Alat Pemberus
- Penyesuai rod bumi
- Perengkuh nat kunci
- Kunci allen
- Gogel keselamatan
- Gris tukul
- Bekas pembawa
- Gris bit

NOTA:

- Beberapa item dalam senarai mungkin disertakan dalam pakej alat sebagai aksesori standard. Item mungkin berbeza mengikut negara.

THÔNG SỐ KỸ THUẬT

Kiểu	HM0810T
Số nhát mỗi phút	2.900 min ⁻¹
Tổng chiều dài	428 mm
Khối lượng tịnh	6,3 kg
Cấp an toàn	□/II

- Do chương trình nghiên cứu và phát triển liên tục của chúng tôi nên các thông số kỹ thuật trong đây có thể thay đổi mà không cần thông báo trước.
- Các thông số kỹ thuật có thể thay đổi tùy theo từng quốc gia.
- Khối lượng tùy theo Quy trình EPTA tháng 01/2014

Ký hiệu

Phần dưới đây chỉ ra các ký hiệu được dùng cho thiết bị. Đảm bảo rằng bạn hiểu rõ ý nghĩa của các ký hiệu này trước khi sử dụng.



Đọc tài liệu hướng dẫn.



CÁCH ĐIỆN CẤP 2



Chỉ dành cho các quốc gia châu Âu
Không tháo bỏ thiết bị điện cùng với các chất thải sinh hoạt!
Đề tuân thủ Chỉ thị của Châu Âu về Thiết bị Điện và Điện tử Thải bỏ và thi hành những chỉ thị này phù hợp với luật lệ quốc gia, thiết bị điện tử không còn sử dụng phải được thu nhặt riêng và đưa trở lại một cơ sở tái chế tương thích với môi trường.

Mục đích sử dụng

Dụng cụ này được dùng cho việc đục các vật bằng bê tông, gạch, đá và nhựa đường, đồng thời cũng dùng cho việc đóng và đập với các phụ kiện phù hợp.

Nguồn cấp điện

Dụng cụ này chỉ được nối với nguồn cấp điện có điện áp giống như đã chỉ ra trên biển tên và chỉ có thể được vận hành trên nguồn điện AC một pha. Chúng được cách điện hai lớp và do đó cũng có thể được sử dụng từ các ổ cắm điện không có dây tiếp đất.

Cảnh báo An toàn Chung dành cho Dụng cụ Máy

⚠ CẢNH BÁO Đọc tất cả các cảnh báo an toàn và hướng dẫn. Việc không tuân theo các cảnh báo và hướng dẫn có thể dẫn đến điện giật, hỏa hoạn và/hoặc thương tích nghiêm trọng.

Lưu giữ tất cả cảnh báo và hướng dẫn để tham khảo sau này.

Thuật ngữ “dụng cụ máy” ở mục cảnh báo là nói đến dụng cụ máy dùng điện (có dây) hoặc dụng cụ máy dùng pin (không dây).

An toàn tại nơi làm việc

1. **Giữ nơi làm việc sạch sẽ và có đủ ánh sáng.** Nơi làm việc bừa bộn hoặc tối thường dễ gây ra tai nạn.
2. **Không vận hành dụng cụ máy trong môi trường cháy nổ, ví dụ như môi trường có sự hiện diện của các chất lỏng, khí hoặc bụi dễ cháy.** Các dụng cụ máy tạo tia lửa điện có thể làm bụi hoặc khí bốc cháy.
3. **Giữ trẻ em và người ngoài tránh xa nơi làm việc khi đang vận hành dụng cụ máy.** Sự xao lãng có thể khiến bạn mất khả năng kiểm soát.

An toàn về Điện

4. **Phích cắm của dụng cụ máy phải khớp với ổ cắm. Không được sửa đổi phích cắm theo bất kỳ cách nào. Không sử dụng bất kỳ phích chuyển đổi nào với các dụng cụ máy được nối đất (tiếp đất).** Các phích cắm còn nguyên vẹn và ổ cắm phù hợp sẽ giảm nguy cơ điện giật.
5. **Tránh để cơ thể tiếp xúc với các bề mặt nóng đất hoặc tiếp đất như đường ống, bộ tản nhiệt, bệ ga và tủ lạnh.** Nguy cơ bị điện giật sẽ tăng lên nếu cơ thể bạn được nối đất hoặc tiếp đất.
6. **Không để dụng cụ máy tiếp xúc với mưa hoặc trong điều kiện ẩm ướt.** Nước lọt vào dụng cụ máy sẽ làm tăng nguy cơ điện giật.
7. **Không lạm dụng dây điện. Không được phép sử dụng dây để mang, kéo hoặc tháo phích cắm dụng cụ máy. Giữ dây tránh xa nguồn nhiệt, dầu, các mép sắc hoặc các bộ phận chuyển động.** Dây bị hỏng hoặc bị rối sẽ làm tăng nguy cơ điện giật.
8. **Khi vận hành dụng cụ máy ngoài trời, hãy sử dụng dây kéo dài phù hợp cho việc sử dụng ngoài trời.** Việc dùng dây phù hợp cho việc sử dụng ngoài trời sẽ giảm nguy cơ điện giật.
9. **Nếu bắt buộc phải vận hành dụng cụ máy ở nơi ẩm ướt, hãy sử dụng nguồn cấp điện được bảo vệ bằng thiết bị ngắt dòng điện rò (RCD).** Việc sử dụng RCD sẽ giảm nguy cơ điện giật.
10. **Chúng tôi luôn khuyến bạn sử dụng nguồn cấp điện qua thiết bị RCD có thể ngắt dòng điện rò định mức 30mA hoặc thấp hơn.**

An toàn Cá nhân

- Luôn tinh táo, quan sát những việc bạn đang làm và sử dụng những phán đoán theo kinh nghiệm khi vận hành dụng cụ máy. Không sử dụng dụng cụ máy khi bạn đang mệt mỏi hoặc chịu ảnh hưởng của ma túy, rượu hay thuốc.** Chỉ một khoảnh khắc không tập trung khi đang vận hành dụng cụ máy cũng có thể dẫn đến thương tích cá nhân nghiêm trọng.
 - Sử dụng thiết bị bảo hộ cá nhân. Luôn đeo thiết bị bảo vệ mắt.** Các thiết bị bảo hộ như mũ bảo hộ chống bụi, giày an toàn chống trượt, mũ bảo hộ hay thiết bị bảo vệ thính giác được sử dụng trong các điều kiện thích hợp sẽ giúp giảm thương tích cá nhân.
 - Tránh vô tình khởi động dụng cụ máy. Đảm bảo công tắc ở vị trí off (tắt) trước khi nối nguồn điện và/hoặc bộ pin, cắm hoặc mang dụng cụ máy.** Việc mang dụng cụ máy khi đang đặt ngón tay ở vị trí công tắc hoặc cấp điện cho dụng cụ máy đang bật hoặc bật gây ra tai nạn.
 - Tháo mọi khóa hoặc chia vận điều chỉnh trước khi bật dụng cụ máy.** Việc chia vận hoặc khóa vẫn còn gắn vào bộ phận quay của dụng cụ máy có thể dẫn đến thương tích cá nhân.
 - Không vớ quá cao. Luôn giữ thăng bằng tốt và có chỗ để chân phù hợp.** Điều này cho phép điều khiển dụng cụ máy tốt hơn trong những tình huống bất ngờ.
 - Ăn mặc phù hợp. Không mặc quần áo rộng hay đeo đồ trang sức. Giữ tóc, quần áo và găng tay tránh xa các bộ phận chuyển động.** Quần áo rộng, đồ trang sức hay tóc dài có thể mắc vào các bộ phận chuyển động.
 - Nếu các thiết bị được cung cấp để kết nối các thiết bị thu gom và hút bụi, hãy đảm bảo chúng được kết nối và sử dụng hợp lý.** Việc sử dụng thiết bị thu gom bụi có thể làm giảm những mối nguy hiểm liên quan đến bụi.
- Sử dụng và bảo quản dụng cụ máy**
- Không dùng lực đối với dụng cụ máy. Sử dụng đúng dụng cụ máy cho công việc của bạn.** Sử dụng đúng dụng cụ máy sẽ giúp thực hiện công việc tốt hơn và an toàn hơn theo giá trị định mức được thiết kế của dụng cụ máy đó.
 - Không sử dụng dụng cụ máy nếu công tắc không bật và tắt được dụng cụ máy đó.** Mọi dụng cụ máy không thể điều khiển được bằng công tắc đều rất nguy hiểm và phải được sửa chữa.
 - Rút phích cắm ra khỏi nguồn điện và/hoặc ngắt kết nối bộ pin khỏi dụng cụ máy trước khi thực hiện bất kỳ công việc điều chỉnh, thay đổi phụ tùng hay cất giữ dụng cụ máy nào.** Những hình pháp an toàn phòng ngừa này sẽ giảm nguy cơ vô tình khởi động dụng cụ máy.
 - Cất giữ các dụng cụ máy không sử dụng ngoài tầm với của trẻ em và không cho bất kỳ người nào không có hiểu biết về dụng cụ máy hoặc các hướng dẫn này vận hành dụng cụ máy.** Dụng cụ máy sẽ rất nguy hiểm nếu được sử dụng bởi những người dùng chưa qua đào tạo.
 - Bảo quản dụng cụ máy. Kiểm tra tình trạng lịch trực hoặc bố kẹp của các bộ phận chuyển động, hiện tượng nứt vỡ của các bộ phận và mọi tình trạng khác mà có thể ảnh hưởng đến hoạt động của dụng cụ máy. Nếu có hỏng hóc, hãy sửa chữa dụng cụ máy trước khi sử dụng.** Nhiều tai nạn xảy ra là do không bảo quản tốt dụng cụ máy.
 - Luôn giữ cho dụng cụ cất được sắc bén và sạch sẽ.** Những dụng cụ cất được bảo quản tốt có mép cắt sắc sẽ ít bị kẹt hơn và dễ điều khiển hơn.
 - Sử dụng dụng cụ máy, phụ tùng và đầu dụng cụ cất, v.v... theo các hướng dẫn này, có tính đến điều kiện làm việc và công việc được thực hiện.** Việc sử dụng dụng cụ máy cho các công việc khác với công việc dự định có thể gây nguy hiểm.

Bảo dưỡng

- Đề nghị viên sửa chữa đủ trình độ bảo dưỡng dụng cụ máy của bạn và chỉ sử dụng các bộ phận thay thế đồng nhất.** Việc này sẽ đảm bảo duy trì được độ an toàn của dụng cụ máy.
- Tuân theo hướng dẫn dành cho việc bôi trơn và thay phụ tùng.**
- Giữ tay cầm khô, sạch, không dính dầu và mỡ.**

CẢNH BÁO AN TOÀN MÁY KHOAN BÚA

- Đeo thiết bị bảo vệ tai.** Việc để tai tiếp xúc với tiếng ồn có thể gây giảm thính lực.
- Sử dụng các tay cầm phụ nếu được cung cấp kèm theo dụng cụ.** Việc mất khả năng kiểm soát có thể dẫn đến thương tích cá nhân.
- Cầm dụng cụ máy bằng bề mặt kẹp cách điện khi thực hiện một thao tác trong đó bộ phận cắt có thể tiếp xúc với dây dẫn kín hoặc dây của chính nó.** Phụ kiện cắt tiếp xúc với dây dẫn “có điện” có thể khiến các bộ phận kim loại bị hở của dụng cụ máy “có điện” và làm cho người vận hành bị điện giật.
- Đội mũ cứng (mũ bảo hộ), mang kính bảo hộ và/hoặc mặt nạ bảo vệ mắt.** Mắt thường hoặc kính râm KHÔNG phải là loại kính an toàn. Kính tối hết sức khuyến cáo bạn nên mang khẩu trang chống bụi và đeo găng tay có đệm dày.
- Đảm bảo rằng đầu mũi được gắn chặt đúng vị trí trước khi vận hành.**
- Trong điều kiện vận hành bình thường, dụng cụ được thiết kế tạo ra rung động. Các ốc vít có thể dễ dàng bị lỏng dần ra, gây ra hỏng hóc hoặc tai nạn. Kiểm tra kỹ độ chặt của các ốc vít trước khi vận hành.**
- Khi thời tiết lạnh hoặc không sử dụng dụng cụ trong thời gian dài, hãy làm nóng dụng cụ một lúc bằng cách vận hành không tải. Điều này sẽ giúp đầu bôi trơn giãn nở ra. Nếu không được làm nóng đúng cách, thao tác đóng búa sẽ gặp khó khăn.**
- Luôn chắc chắn rằng bạn có chỗ tựa chân vững chắc. Đảm bảo rằng không có ai ở dưới khi dùng dụng cụ ở những vị trí trên cao.**

9. **Cầm chắc dụng cụ bằng cả hai tay.**
10. **Giữ tay tránh xa các bộ phận quay.**
11. **Không để mặc dụng cụ hoạt động. Chỉ vận hành dụng cụ khi cầm trên tay.**
12. **Không được chĩa dụng cụ vào bất cứ ai ở gần khi vận hành dụng cụ. Đầu mũi có thể văng ra ngoài và gây thương tích nghiêm trọng cho ai đó.**
13. **Không chạm vào đầu mũi hoặc các bộ phận gần đầu mũi ngay sau khi vận hành; chúng có thể rất nóng và gây bỏng da.**
14. **Không vận hành dụng cụ không tải một cách không cần thiết.**
15. **Một số vật liệu có thể chứa hóa chất độc. Phải cẩn trọng tránh hít phải bụi và để tiếp xúc với da. Tuân theo dữ liệu an toàn của nhà cung cấp vật liệu.**

LƯU GIỮ CÁC HƯỚNG DẪN NÀY.

⚠ CẢNH BÁO: KHÔNG vì đã thoải mái hay quen thuộc với sản phẩm (có được do sử dụng nhiều lần) mà không tuân thủ nghiêm ngặt các quy định về an toàn dành cho sản phẩm này.
VIỆC DÙNG SAI hoặc không tuân theo các quy định về an toàn được nêu trong tài liệu hướng dẫn này có thể dẫn đến thương tích cá nhân nghiêm trọng.

MÔ TẢ CHỨC NĂNG

⚠ THẬN TRỌNG:

- Luôn bảo đảm rằng dụng cụ được tắt điện và rút phích cắm trước khi điều chỉnh hoặc kiểm tra chức năng của dụng cụ.

Hoạt động công tắc

► **Hình1:** 1. Nút khóa 2. Cản khởi động công tắc

⚠ THẬN TRỌNG:

- Trước khi cắm điện vào dụng cụ, luôn luôn kiểm tra xem cản khởi động công tắc có hoạt động bình thường hay không và trả về vị trí "TẮT" khi nhả ra.

Để khởi động dụng cụ, chỉ cần kéo cản khởi động công tắc. Nhả cản khởi động công tắc ra để dừng. Để tiếp tục vận hành, hãy kéo cản khởi động công tắc và sau đó nhấn vào nút khóa.
 Để dừng dụng cụ từ vị trí đã khóa, hãy kéo cản khởi động công tắc hết mức, sau đó nhả ra.

LẮP RÁP

⚠ THẬN TRỌNG:

- Luôn luôn đảm bảo rằng dụng cụ đã được tắt và tháo phích cắm trước khi dùng dụng cụ thực hiện bất cứ công việc nào.

Lắp đặt tay cầm hồng (tay cầm phụ)

► **Hình2:** 1. Tay cầm hồng

Tay cầm hồng có thể lật qua lại các mặt, cho phép dễ dàng cầm giữ dụng cụ ở bất cứ vị trí nào. Vận lỏng tay cầm hồng bằng cách xoay nó ngược chiều kim đồng hồ, lật đến vị trí mong muốn và vận chặt lại bằng cách xoay theo chiều kim đồng hồ.

Dầu tra đầu mũi (phụ kiện tùy chọn)

Phủ lên phía trước thân đầu mũi một lượng nhỏ dầu tra đầu mũi (khoảng 0,5 - 1 g; 0,02 - 0,04 oz.). Chất bôi trơn ngâm này nhằm đảm bảo vận hành trôi chảy và kéo dài tuổi thọ dụng cụ hơn.

Lắp đặt hoặc tháo gỡ mũi vít

► **Hình3:** 1. Đầu mũi 2. Vòng chỉnh

► **Hình4:** 1. Đầu mũi 2. Vòng chỉnh

Kéo vòng chỉnh xuống hết mức và lắp đầu mũi vào bên trong đầu cặp dụng cụ hết mức có thể. Nhả vòng chỉnh ra và nó sẽ tự động trở lại vị trí ban đầu của nó để giữ chặt đầu mũi. Sau khi lắp, hãy luôn đảm bảo rằng mũi vít đã được giữ chắc chắn đúng vị trí bằng cách thử kéo ra. Để tháo đầu mũi, kéo vòng chỉnh xuống hết mức và kéo đầu mũi ra.

VẬN HÀNH

Đục/Đập/Phá huỷ

Cầm chắc dụng cụ bằng cả hai tay. Bật dụng cụ lên và nắm giữ dụng cụ với lực vừa đủ sao cho dụng cụ không bị rung bật, không kiểm soát được. Việc ấn rất mạnh lên dụng cụ sẽ không làm tăng hiệu quả sử dụng.

BẢO TRÌ

⚠ THẬN TRỌNG:

- Luôn bảo đảm rằng dụng cụ được tắt điện và rút phích cắm trước khi thử thực hiện việc kiểm tra hoặc bảo trì.
- Không bao giờ dùng xăng, ét xăng, dung môi, cồn hoặc hóa chất tương tự. Có thể xảy ra hiện tượng mất màu, biến dạng hoặc nứt vỡ.

Thay thế các chổi các-bon

► **Hình5:** 1. Vành góp điện 2. Đầu cách điện 3. Chổi các-bon

Khi đầu cách điện bằng nhựa dẻo bên trong chổi các-bon bị lộ ra tiếp xúc với vành góp điện, nó sẽ tự động tắt mô-tơ. Khi điều này xảy ra cần phải thay cả hai chổi các-bon. Giữ các chổi các-bon sạch và có thể trượt dễ dàng vào chỗ giữ chổi. Cả hai chổi các-bon phải được thay thế cùng một lúc. Chỉ sử dụng các chổi các-bon giống nhau.

Sử dụng khóa lục giác để tháo nắp sau.

► **Hình6:** 1. Cờ lê lục giác 2. Nắp sau

Sử dụng tua vít để tháo nắp giữ chổi. Hãy tháo các chổi các-bon đã bị mòn, lắp vào các chổi mới và vặn chặt các nắp giữ chổi.

► **Hình7:** 1. Máy vặn vít cầm tay hoạt động bằng động cơ điện 2. Nắp giữ chổi

Tra dầu mỡ

► **Hình8:** 1. Cờ lê đai ốc khóa 2. Nắp tay quay

Dụng cụ này không cần phải tra dầu mỡ hàng giờ hoặc hàng ngày bởi nó có sẵn hệ thống tra dầu mỡ gắn trong. Dụng cụ cần được tra dầu mỡ sau mỗi 6 tháng vận hành. Gửi toàn bộ dụng cụ tới Trung tâm Dịch vụ Nhà máy hoặc Trung tâm Trung tâm Dịch vụ Được Ủy quyền của Makita để thực hiện việc tra dầu mỡ. Tuy nhiên, trong những trường hợp bạn cần phải tự mình tra dầu mỡ, hãy làm như sau.

Chạy dụng cụ trong vài phút để làm nóng dụng cụ. Tắt và rút phích điện của dụng cụ.

Tháo nắp tay quay bằng cờ lê khóa đai ốc khóa số 35 của Makita (phụ kiện tùy chọn). Đặt dụng cụ lên bàn với đầu mũi hướng lên trên. Động tác này sẽ giúp cho dầu mỡ cũ dồn về phần vỏ tay quay.

Lau sạch phần dầu mỡ cũ bên trong và thay bằng dầu mỡ mới (30 g; 1 oz). Chỉ sử dụng dầu mỡ tra búa chính hãng của Makita (phụ kiện tùy chọn). Việc tra dầu mỡ quá lượng quy định (khoảng 30 g; 1 oz) có thể gây ra sai lệch thao tác đóng búa hoặc làm dụng cụ không hoạt động. Chỉ tra đúng lượng dầu mỡ theo quy định.

► **Hình9:** 1. Mỡ tra búa

Lắp đặt lại nắp tay quay và vặn chặt bằng cờ lê khóa đai ốc khóa.

⚠ THẬN TRỌNG:

- Không được vặn nắp tay quay quá chặt. Nó được làm bằng nhựa dẻo và có thể bị nứt gãy.

Để đảm bảo AN TOÀN và TIN CẬY của sản phẩm, việc sửa chữa hoặc bất cứ thao tác bảo trì, điều chỉnh nào đều phải được thực hiện bởi các Trung tâm Dịch vụ Được Ủy quyền của Makita, luôn sử dụng các phụ tùng thiết bị thay thế của Makita.

PHỤ KIỆN TÙY CHỌN

⚠ THẬN TRỌNG:

- Các phụ kiện hoặc phụ tùng gắn thêm này được khuyến cáo sử dụng với dụng cụ Makita của bạn theo như quy định trong hướng dẫn này. Việc sử dụng bất cứ phụ kiện hoặc phụ tùng gắn thêm nào khác đều có thể gây ra rủi ro thương tích cho người. Chỉ sử dụng phụ kiện hoặc phụ tùng gắn thêm cho mục đích đã quy định sẵn của chúng.

Nếu bạn cần hỗ trợ để biết thêm chi tiết về những phụ kiện này, hãy liên hệ với Trung tâm Dịch vụ của Makita tại địa phương của bạn.

- Đầu đục
- Mũi đục nguội
- Mũi đục đánh vẩy
- Lưỡi mai cắt sét
- Mũi đục rãnh
- Đầm nện
- Dụng cụ đệm bọc
- Đầu chuyên thanh trơn
- Cờ lê đai ốc khóa
- Cờ lê lục giác
- Kính bảo hộ
- Mỡ tra búa
- Hộp chứa
- Dầu tra đầu mũi

LƯU Ý:

- Một số mục trong danh sách có thể được bao gồm trong gói dụng cụ làm phụ kiện tiêu chuẩn. Các mục này ở mỗi quốc gia có thể khác nhau.




ข้อมูลจำเพาะ

รุ่น	HM0810T
อัตราเจาะกระแทกต่อนาที	2,900 min ⁻¹
ความยาวโดยรวม	428 mm
น้ำหนักสุทธิ	6.3 kg
มาตรฐานความปลอดภัย	□/II

- เนื่องจากการค้นคว้าวิจัยและพัฒนาอย่างต่อเนื่อง ข้อมูลจำเพาะในเอกสารฉบับนี้อาจเปลี่ยนแปลงได้โดยไม่ต้องแจ้งให้ทราบล่วงหน้า
- ข้อมูลจำเพาะอาจแตกต่างกันไปในแต่ละประเทศ
- น้ำหนักตามข้อบังคับของ EPTA 01/2014

สัญลักษณ์

สัญลักษณ์ต่อไปนี้ใช้สำหรับอุปกรณ์นี้ โปรดศึกษาความหมายของสัญลักษณ์ให้เข้าใจก่อนการใช้งาน

	อ่านคู่มือการใช้งาน
	ฉนวนสองชั้น
	สำหรับประเทศในทวีปยุโรปเท่านั้น ห้ามทิ้งอุปกรณ์ไฟฟ้าพร้อมกับวัสดุเหลือทิ้งในครัวเรือน! เพื่อให้เป็นไปตามตามกฎระเบียบของยุโรปว่าด้วยเศษเหลือทิ้งของอุปกรณ์ไฟฟ้าและอิเล็กทรอนิกส์ รวมถึงการบังคับใช้ตามกฎหมายภายในประเทศ ต้องเก็บอุปกรณ์ไฟฟ้าที่หมดอายุการใช้งานแล้วแยกต่างหาก และส่งกลับไปยังศูนย์รีไซเคิลที่เป็นมิตรต่อสิ่งแวดล้อม

จุดประสงค์ในการใช้งาน

เครื่องมือนี้ใช้สำหรับงานสกัดคอนกรีต อิฐ หิน และยางมะตอย และใช้สำหรับการขันและการอัดแน่นโดยใช้ร่วมกับอุปกรณ์เสริมที่เหมาะสม

แหล่งจ่ายไฟ

ควรเชื่อมต่อเครื่องมือกับแหล่งจ่ายไฟที่มีแรงดันไฟฟ้าตามที่ระบุไว้ในป้ายข้อมูลของเครื่องมือ และต้องใช้ไฟฟ้ากระแสสลับแบบเฟสเดียวเท่านั้น อุปกรณ์นี้ได้รับการหุ้มฉนวนสองชั้นและสามารถใช้กับปลั๊กไฟที่ไม่มีสายดินได้

คำเตือนด้านความปลอดภัยของเครื่องมือไฟฟ้าทั่วไป

⚠ คำเตือน อ่านคำเตือนด้านความปลอดภัยและคำแนะนำทั้งหมดก่อนใช้งาน การไม่ปฏิบัติตามคำเตือนและคำแนะนำดังกล่าวอาจส่งผลให้ไฟฟ้าช็อต ไฟไหม้ และ/หรือได้รับบาดเจ็บร้ายแรง

เก็บรักษาคำเตือนและคำแนะนำทั้งหมดไว้เป็นข้อมูลอ้างอิงในอนาคต

คำว่า “เครื่องมือไฟฟ้า” ในคำเตือนนี้หมายถึงเครื่องมือไฟฟ้า (มีสาย) ที่ทำงานโดยใช้กระแสไฟฟ้า หรือเครื่องมือไฟฟ้า (ไร้สาย) ที่ทำงานโดยใช้แบตเตอรี่

ความปลอดภัยของพื้นที่ทำงาน

1. ดูแลพื้นที่ทำงานให้มีความสะอาดและมีแสงไฟสว่าง พื้นที่ที่กระเบื้องหรือมัตที่บอบบางนำไปสู่การเกิดอุบัติเหตุได้
2. อย่าใช้งานเครื่องมือไฟฟ้าในสภาพที่อาจเกิดการระเบิด เช่น ในสถานที่ที่มีของเหลว ก๊าซ หรือฝุ่นผงที่มีคุณสมบัติไวไฟ เครื่องมือไฟฟ้าอาจสร้างประกายไฟและจุดชนวนฝุ่นผงหรือก๊าซดังกล่าว
3. ดูแลไม่ให้มีเด็ก ๆ หรือบุคคลอื่นอยู่ในบริเวณที่กำลังใช้เครื่องมือไฟฟ้า การมีสิ่งรบกวนสมาธิอาจทำให้คุณสูญเสียการควบคุม

ความปลอดภัยด้านไฟฟ้า

4. ปลั๊กของเครื่องมือไฟฟ้าต้องพอดีกับเต้ารับ อย่าตัดแปลงปลั๊กไม่ว่ากรณีใดๆ อย่าใช้ปลั๊กอะแดปเตอร์กับเครื่องมือไฟฟ้าที่ต่อสายดิน ปลั๊กที่ไม่ถูกตัดแปลงและเต้ารับที่เข้ากันพอดีจะช่วยลดความเสี่ยงของการเกิดไฟฟ้าช็อต
5. ระวังอย่าให้ร่างกายสัมผัสกับพื้นผิวที่ต่อสายดิน เช่น ท่อ เครื่องนำความร้อน เตาหุงต้ม และตู้เย็น มีความเสี่ยงที่จะเกิดไฟฟ้าช็อตสูงขึ้น หากร่างกายของคุณสัมผัสกับพื้น
6. อย่าให้เครื่องมือไฟฟ้าถูกน้ำหรืออยู่ในสภาพเปียกชื้น น้ำที่ไหลเข้าไปในเครื่องมือไฟฟ้าจะเพิ่มความเสี่ยงของการเกิดไฟฟ้าช็อต
7. อย่าใช้สายไฟอย่างไม่เหมาะสม อย่าใช้สายไฟเพื่อยก ดึง หรือถอดปลั๊กเครื่องมือไฟฟ้า เก็บสายไฟให้ห่างจากความร้อน น้ำมัน ของมีคม หรือชิ้นส่วนที่เคลื่อนที่ สายที่ชำรุดหรือพันกันจะเพิ่มความเสี่ยงของการเกิดไฟฟ้าช็อต
8. ขณะที่ใช้งานเครื่องมือไฟฟ้านอกอาคาร ควรใช้สายต่อพ่วงที่เหมาะสมกับงานภายนอกอาคาร การใช้สายที่เหมาะสมกับงานภายนอกอาคารจะลดความเสี่ยงของการเกิดไฟฟ้าช็อต
9. หากต้องใช้งานเครื่องมือไฟฟ้าในสถานที่เปียกชื้น ให้ใช้อุปกรณ์ป้องกันกระแสไฟรั่ว (RCD) การใช้ RCD จะลดความเสี่ยงของการเกิดไฟฟ้าช็อต
10. แนะนำให้ใช้แหล่งจ่ายไฟผ่าน RCD ที่มีกระแสไฟรั่วในอัตราไม่เกิน 30mA เสมอ

ความปลอดภัยส่วนบุคคล

11. ให้ระมัดระวังและมีสติอยู่เสมอขณะใช้งานเครื่องมือไฟฟ้า อย่าใช้งานเครื่องมือไฟฟ้าในขณะที่คุณกำลังเหนื่อย หรือในสภาพที่มึนเมาจากยาเสพติด เครื่องดื่ม แอลกอฮอล์ หรือการเข้ายา ช่วงเวลาที่ขาดความระมัดระวังเมื่อกำลังใช้งานเครื่องมือไฟฟ้าอาจทำให้ได้รับบาดเจ็บร้ายแรง
12. ใช้อุปกรณ์ป้องกันส่วนบุคคล สวมแว่นตาป้องกันเสมอ อุปกรณ์ป้องกัน เช่น หน้ากากกันฝุ่น รองเท้ากันภัย กันลื่น หมวกกันน็อก หรืออุปกรณ์ป้องกันเสียงที่ใช้ในสภาพที่เหมาะสมจะช่วยลดการบาดเจ็บ
13. ป้องกันไม่ให้เกิดการเปิดใช้งานโดยไม่ตั้งใจ ตรวจสอบให้แน่ใจว่าสวิตช์ปิดอยู่ก่อนที่จะเชื่อมต่อกับแหล่งจ่ายไฟ และ/หรือชุดแบตเตอรี่ รวมทั้งตรวจสอบก่อนการยกหรือเคลื่อนย้ายเครื่องมือ การสอดนิ้วมือบริเวณสวิตช์เพื่อถือเครื่องมือไฟฟ้า หรือการชาร์จไฟเครื่องมือไฟฟ้าในขณะที่เปิดสวิตช์อยู่อาจนำไปสู่การเกิดอุบัติเหตุ

14. นำกฎแฉปรับตั้งหรือประแจออกก่อนที่จะเปิดเครื่องมือไฟฟ้า ประแจหรือกฎแฉที่เสียบค้างอยู่ในชิ้นส่วนที่หมุนไต่ของเครื่องมือไฟฟ้าอาจทำให้ได้รับบาดเจ็บ
15. อย่าทำงานในระยะที่สุดเอื้อม จัดทำการยึนและการทรงตัวให้เหมาะสมตลอดเวลา เพราะจะทำให้ควบคุมเครื่องมือไฟฟ้าได้ดีขึ้นในสถานการณ์ที่ไม่คาดคิด
16. แต่งกายให้เหมาะสม อย่าสวมเครื่องแต่งกายที่หลวมเกินไป หรือสวมเครื่องประดับ ดูแลไม่ให้เส้นผม เสื้อผ้า และถุงมืออยู่ใกล้ชิ้นส่วนที่เคลื่อนที่ เสื้อผ้า รุ่มร่าม เครื่องประดับ หรือผมที่มีความยาวอาจเข้าไปติดในชิ้นส่วนที่เคลื่อนที่
17. หากมีการจัดอุปกรณ์สำหรับดูดและจับฝุ่นไว้ในสถานที่ ให้ตรวจสอบว่าได้เชื่อมต่อและใช้งานอุปกรณ์นั้นอย่างเหมาะสม การใช้เครื่องดูดและจับฝุ่นจะช่วยลดอันตรายที่เกิดจากฝุ่นผงได้

การใช้และดูแลเครื่องมือไฟฟ้า

18. อย่าฝืนใช้เครื่องมือไฟฟ้า ใช้เครื่องมือไฟฟ้าที่เหมาะสมกับการใช้งานของคุณ เครื่องมือไฟฟ้าที่เหมาะสมจะทำให้ได้งานที่มีประสิทธิภาพและปลอดภัยกว่าตามขีดความสามารถของเครื่องที่ได้รับการออกแบบมา
19. อย่าใช้เครื่องมือไฟฟ้า หากสวิตช์ไม่สามารถเปิดปิดได้ เครื่องมือไฟฟ้าที่ควบคุมด้วยสวิตช์ไม่ได้เป็นสิ่งอันตรายและต้องได้รับการซ่อมแซม
20. ถอดปลั๊กจากแหล่งจ่ายไฟ และ/หรือชุดแบตเตอรี่ออกจากเครื่องมือไฟฟ้าก่อนทำการปรับตั้ง เปลี่ยนอุปกรณ์เสริม หรือจับเครื่องมือไฟฟ้า วิธีการป้องกันด้านความปลอดภัยดังกล่าวจะช่วยลดความเสี่ยงของการเปิดใช้งานเครื่องมือไฟฟ้าอย่างไม่ตั้งใจ
21. จับเครื่องมือไฟฟ้าที่ไม่ได้ใช้งานให้ห่างจากมือเด็ก และอย่าอนุญาตให้บุคคลที่ไม่คุ้นเคยกับเครื่องมือไฟฟ้าหรือคำแนะนำเหล่านี้ใช้งานเครื่องมือไฟฟ้า เครื่องมือไฟฟ้าจะเป็นอันตรายเมื่ออยู่ในมือของผู้ที่ไม่ได้รับการฝึกอบรม
22. การดูแลรักษาเครื่องมือไฟฟ้า ตรวจสอบการประกอบที่ไม่ถูกต้องหรือการเชื่อมต่อของชิ้นส่วนที่เคลื่อนที่ การแตกหักของชิ้นส่วน หรือสภาพอื่น ๆ ที่อาจส่งผลกระทบต่อการทำงานของเครื่องมือไฟฟ้า หากมีความเสียหาย ให้นำเครื่องมือไฟฟ้าไปซ่อมแซมก่อนการใช้งาน อุบัติเหตุจำนวนมากเกิดจากการดูแลรักษาเครื่องมือไฟฟ้าอย่างไม่ถูกต้อง
23. ทำความสะอาดเครื่องมือตัดและลับให้คมอยู่เสมอ เครื่องมือตัดที่มีการดูแลรักษาอย่างถูกต้องและมีขอบตัดคมมักจะไม่มีปัญหาตัดชิ้นน้อยและควบคุมได้ง่ายกว่า

24. ใช้เครื่องมือไฟฟ้า อุปกรณ์เสริม และวัสดุสิ้นเปลือง ฯลฯ ตามคำแนะนำดังกล่าว พิจารณาสภาพการทำงานและงานที่จะลงมือทำ การใช้เครื่องมือไฟฟ้าเพื่อทำงานอื่นนอกเหนือจากที่กำหนดไว้อาจทำให้เกิดอันตราย

การซ่อมบำรุง

25. นำเครื่องมือไฟฟ้าเข้ารับบริการจากช่างซ่อมที่ผ่านการรับรองโดยช่างะไหลแบบเดียวกันเท่านั้น เพราะจะทำให้การใช้เครื่องมือไฟฟ้ามีความปลอดภัย
26. ปฏิบัติตามคำแนะนำในการหล่อลื่นและการเปลี่ยนอุปกรณ์เสริม
27. ดูแลเมื่อจับให้แห้ง สะอาด และไม่มันมันและจาระบีเปื้อน

คำเตือนด้านความปลอดภัยของเครื่องเจาะสกัด

1. สวมใส่อุปกรณ์ป้องกันเสียง เสียงที่ดังเกินขนาดอาจทำให้สูญเสียการได้ยิน
2. ใช้มือจับเสริม หากมีมากับเครื่องมือ การสูญเสียการควบคุมอาจทำให้ได้รับบาดเจ็บได้
3. จับเครื่องมือที่พื้นผิวตามจับหุ้มฉนวนเมื่อดำเนินการใดๆ ที่อุปกรณ์ตัดอาจสัมผัสกับสายไฟที่ซ่อนอยู่หรือสายไฟของเครื่องมือเอง อุปกรณ์ตัดที่สัมผัสกับสายไฟที่ “มีกระแสไฟฟ้าไหลผ่าน” อาจทำให้ชิ้นส่วนโลหะเปลือยของเครื่องมือไฟฟ้า “มีกระแสไฟฟ้าไหลผ่าน” และอาจทำให้ผู้ปฏิบัติงานถูกไฟช็อตได้
4. สวมหมวกแข็ง (หมวกนิรภัย) แวนนิรภัย และ/หรือ หน้ากากป้องกัน แวนตาบดหรือแว่นกันแดดไม่ใช่ แวนนิรภัย และขอแนะนำอย่างยิ่งให้สวมหน้ากากกันฝุ่นและถุงมือหนาๆ
5. ตรวจสอบให้แน่ใจว่ายึดดอกสว่านเข้าที่ดีแล้วก่อนการใช้งาน
6. ภายใต้งานทำงานปกติ เครื่องมือได้รับการออกแบบมาเพื่อสร้างแรงสั่นสะเทือน ดังนั้นสกรูต่างๆ จะหลวมได้ง่าย ซึ่งอาจทำให้เครื่องมือเสียหายหรือเกิดอุบัติเหตุ ตรวจสอบให้แน่ใจว่าขันสกรูแน่นดีแล้วก่อนการใช้งาน
7. ในสภาพอากาศหนาวหรือเมื่อไม่มีการใช้เครื่องมือเป็นระยะเวลานาน ต้องอุ่นเครื่องมือสักครู่โดยการเปิดเครื่องทิ้งไว้เฉยๆ เพื่อให้มีการหล่อลื่น หากไม่มีการอุ่นเครื่องมืออย่างเหมาะสม จะทำให้ทำการเจาะสกัดได้ยาก
8. ตรวจสอบบริเวณที่ยืนให้มีความมั่นคงเสมอ ตรวจสอบให้แน่ใจว่าไม่มีคนอยู่ด้านล่างเมื่อใช้งานเครื่องมือบนที่สูง
9. จับเครื่องมือให้แน่นด้วยมือทั้งสองข้าง

10. ระวังอย่าให้มือสัมผัสกับชิ้นส่วนที่เคลื่อนที่
11. อย่าปล่อยให้เครื่องมือทำงานค้างไว้ ใช้งานเครื่องมือเฉพาะเมื่อถือเครื่องมือด้วยมือเท่านั้น
12. อย่าใช้เครื่องมือเข้าไปที่บุคคลใดในพื้นที่ทำงานขณะใช้งาน ดอกสว่านอาจจะเด็นออกและทำให้บุคคลอื่นบาดเจ็บได้
13. ห้ามสัมผัสกับดอกสว่านหรือชิ้นส่วนที่ใกล้กับดอกสว่านทันทีที่ทำงานเสร็จ เนื่องจากอาจมีความร้อนสูงและทำให้ผิวหนังไหม้ได้
14. อย่าใช้เครื่องมือโดยเปิดเครื่องทิ้งไว้เฉยๆ โดยไม่จำเป็น
15. วัสดุบางอย่างอาจมีสารเคมีที่เป็นพิษ ระวังอย่าสูดดมฝุ่นหรือสัมผัสกับผิวหนัง ปฏิบัติตามข้อมูลด้านความปลอดภัยของผู้ผลิตวัสดุ

ปฏิบัติตามคำแนะนำเหล่านี้

คำเตือน: อย่าปล่อยให้ความสะดักสบายหรือความคุ้นเคยในผลิตภัณฑ์ (ที่เกิดจากการใช้ซ้ำ) มาแทนที่ความเข้มงวดในการปฏิบัติตามกฎความปลอดภัยของผลิตภัณฑ์ การใช้งานผิดจุดประสงค์หรือการไม่ปฏิบัติตามกฎความปลอดภัยที่ระบุไว้ในคู่มือการใช้งานนี้อาจทำให้ได้รับบาดเจ็บสาหัสได้

คำอธิบายการทำงาน

ข้อควรระวัง:

- ตรวจสอบให้แน่ใจว่าปิดสวิตช์เครื่องมือและถอดปลั๊กแล้วก่อนทำการปรับหรือตรวจสอบการทำงานของเครื่องมือ

การทำงานของสวิตช์

► หมายเลข 1: 1. ปุ่มล๊อค 2. สวิตช์สั่งงาน

ข้อควรระวัง:

- ก่อนเสียบปลั๊กเครื่องมือ ให้ตรวจสอบว่าสวิตช์สั่งงานสามารถทำงานได้อย่างถูกต้อง และกลับไปยังตำแหน่ง “ปิด” เมื่อปล่อย

การเริ่มใช้งานเครื่องมือ เพียงแค่กดสวิทช์สั่งงาน ปล่อย
สวิทช์สั่งงานเพื่อหยุดการทำงาน
สำหรับการทำงานอย่างต่อเนื่อง ให้กดสวิทช์สั่งงาน แล้วดัน
ปุ่มล๊อคเข้า
การหยุดใช้งานเครื่องมือจากตำแหน่งล๊อค ให้กดสวิทช์สั่ง
งานจนสุดแล้วปล่อย

การประกอบ

⚠️ ข้อควรระวัง:

- ตรวจสอบให้แน่ใจเสมอว่าปิดสวิทช์เครื่องมือและ
ถอดปลั๊กแล้วก่อนดำเนินการใดๆ กับเครื่องมือ

การติดตั้งตามจับด้านข้าง (มือจับเสริม)

► หมายเลข 2: 1. ตามจับด้านข้าง

ตามจับด้านข้างสามารถเลื่อนไปรอบๆ ได้ทั้งสองด้าน ทำให้
จับเครื่องมือได้ง่ายในทุกตำแหน่ง คลายตามจับด้านข้างโดย
การหมุนตามจับทวนเข็มนาฬิกา แล้วเลื่อนไปยังตำแหน่ง
ที่ต้องการ จากนั้นยึดให้แน่นโดยการหมุนตามจับตามเข็
มนาฬิกา

การระเบิดอกส่วน (อุปกรณ์เสริม)

หากระเบิดอกส่วนที่ดอกส่วนเล็กน้อยก่อนการใช้งาน
(ประมาณ 0.5-1 g หรือ 0.02-0.04 ออนซ์) การหล่อลื่นจะ
ช่วยให้เครื่องมือทำงานได้ราบรื่นยิ่งขึ้นและช่วยยืดอายุการ
ใช้งานของเครื่องมือด้วย

การติดตั้งหรือการถอดดอกส่วน

► หมายเลข 3: 1. ดอกส่วน 2. แหวนเปลี่ยน

► หมายเลข 4: 1. ดอกส่วน 2. แหวนเปลี่ยน

ดึงแหวนเปลี่ยนลงให้สุดแล้วใส่ดอกส่วนไว้ในเครื่องมือให้
สุด ปล่อยแหวนเปลี่ยนให้เลื่อนกลับสู่ตำแหน่งเดิมเองเพื่อ
ล๊อคดอกส่วน หลังจากการติดตั้ง ตรวจสอบให้แน่ใจว่า
ดอกส่วนยึดแน่นเข้าที่ดีแล้วโดยลองพยายามดึงออก เมื่อ
ต้องการถอดดอกส่วนออก ให้ดึงแหวนเปลี่ยนลงจนสุดและ
ดึงดอกส่วนออก

การใช้งาน

การสกัด/กะเทาะ/กระแทก

จับเครื่องมือให้แน่นด้วยมือทั้งสองข้าง เปิดสวิทช์เครื่องมือ
และใช้แรงกดเครื่องมือเล็กน้อย เพื่อไม่ให้เครื่องมือตีกลับ
จนไม่สามารถควบคุมได้ การกดเครื่องมือแรงๆ จะไม่เพิ่ม
ประสิทธิภาพการทำงาน

การบำรุงรักษา

⚠️ ข้อควรระวัง:

- ตรวจสอบให้แน่ใจเสมอว่าปิดสวิทช์เครื่องมือและ
ถอดปลั๊กออกแล้ว ก่อนพยายามดำเนินการตรวจ
สอบหรือบำรุงรักษา
- ห้ามใช้แก๊สโซลีน เบนซิน ทินเนอร์ แอลกอฮอล์
หรือสิ่งอื่นที่คล้ายกันนี้ เนื่องจากอาจทำให้สีซีดจาง
เสียรูป หรือแตกร้าวได้

การเปลี่ยนแปรงคาร์บอน

► หมายเลข 5: 1. อุปกรณ์ลับเปลี่ยน 2. ส่วนปลายหุ้ม ฉนวน 3. แปรงคาร์บอน

เมื่อส่วนปลายที่หุ้มเรซินด้านในแปรงคาร์บอนสัมผัสกับ
อุปกรณ์ลับเปลี่ยน อุปกรณ์ดังกล่าวจะปิดการทำงานของ
มอเตอร์โดยอัตโนมัติ เมื่อเหตุการณ์ดังกล่าวเกิดขึ้น ควร
เปลี่ยนแปรงคาร์บอนทั้งคู่ ดูแลแปรงคาร์บอนให้สะอาดและ
ไม่ให้ลื่นหลุดจากที่ยึด ควรเปลี่ยนแปรงคาร์บอนทั้งสองอัน
พร้อมกัน ใช้แปรงคาร์บอนแบบเดียวกันเท่านั้น

ใช้ประแจหกเหลี่ยมเพื่อถอดฝาครอบด้านหลังออก

► หมายเลข 6: 1. ประแจหกเหลี่ยม 2. ฝาปิดด้านหลัง

ใช้ไขควงเพื่อถอดฝาปิดที่ยึดแปรงออก นำแปรงคาร์บอนที่
สึกหรอออกมา ใส่แปรงคาร์บอนใหม่เข้าไป และปิดฝาปิดที่
ยึดแปรงให้แน่น

► หมายเลข 7: 1. ไขควง 2. ฝาปิดที่ยึดแปรง

การหล่อลื่น

- **หมายเลข 8:** 1. ประแจขันน็อตล็อก 2. ฝาครอบข้อเหวี่ยง

เครื่องมือนี้ไม่จำเป็นต้องทำการหล่อลื่นรายชั่วโมงหรือรายวันเนื่องจากมีระบบการหล่อลื่นที่มีจาระบีในตัว ควรทำการหล่อลื่นซ้ำทุกๆ 6 เดือนของการใช้งาน โปรดส่งเครื่องมือทั้งหมดไปยังศูนย์บริการหรือโรงงานที่ผ่านการรับรองจาก Makita เพื่อทำการหล่อลื่น อย่างไรก็ตาม หากจำเป็นต้องหล่อลื่นด้วยตนเอง ให้ดำเนินการดังต่อไปนี้

เปิดสวิตช์ให้เครื่องมือทำงานสักสองสามนาทีเพื่ออุ่นเครื่องมือ จากนั้น ปิดสวิตช์และถอดปลั๊กเครื่องมือออก ถอดฝาครอบข้อเหวี่ยงออกโดยใช้ประแจขันน็อตล็อก 35 จาก Makita (อุปกรณ์เสริม) วางเครื่องมือไว้บนโต๊ะโดยให้ดอกสว่านหงายขึ้นด้านบน การกระทำดังกล่าวจะทำให้จาระบีไหลเข้าออกจากรอบข้อเหวี่ยง

เช็ดจาระบีเก่าด้านในออก และใส่จาระบีใหม่ (30 g หรือ 1 oz) ใช้เฉพาะจาระบีของแท้สำหรับเครื่องเจาะกระแทกจาก Makita เท่านั้น (อุปกรณ์เสริม) การใส่จาระบีมากกว่าปริมาณที่ระบุไว้ (ประมาณ 30 g หรือ 1 oz) อาจทำให้เครื่องเสกต์ทำงานผิดปกติหรือเสียหายได้ ใส่จาระบีตามปริมาณที่ระบุไว้เท่านั้น

- **หมายเลข 9:** 1. จาระบีเครื่องเสกต์

ใส่ฝาครอบข้อเหวี่ยงกับเข้าที่แล้วขันให้แน่นด้วยประแจขันน็อตล็อก

⚠ ข้อควรระวัง:

- อย่าขันฝาครอบข้อเหวี่ยงแน่นเกินไป เนื่องจากฝาครอบทำด้วยเรซินซึ่งอาจเสียหายได้

ในการรักษาผลิตภัณฑ์ให้มีความปลอดภัยและเชื่อถือได้ ควรให้ศูนย์บริการที่ได้รับการรับรองของ Makita เป็นผู้ดำเนินการซ่อม การบำรุงรักษาหรือการปรับตั้งอื่นๆ และใช้อะไหล่ของ Makita เสมอ

อุปกรณ์เสริม

⚠ ข้อควรระวัง:

- แนะนำให้ใช้อุปกรณ์เสริมหรืออุปกรณ์ต่อพ่วงเหล่านี้กับเครื่องมือ Makita ตามที่ระบุไว้ในคู่มือเล่มนี้ การใช้อุปกรณ์เสริมหรืออุปกรณ์ต่อพ่วงอื่นๆ อาจมีความเสี่ยงที่จะได้รับบาดเจ็บ ใช้อุปกรณ์เสริมหรืออุปกรณ์ต่อพ่วงตามวัตถุประสงค์ที่ระบุไว้เท่านั้น

หากต้องการทราบรายละเอียดเพิ่มเติมเกี่ยวกับอุปกรณ์เสริมเหล่านี้ โปรดสอบถามศูนย์บริการ Makita ใกล้บ้านคุณ

- ดอกสกัดปากแหลม
- ดอกสกัดปากแบน
- ดอกสกัดแบนใหญ่
- เสียม
- ดอกสกัดเซาะร่อง
- หัวกระแทก
- อุปกรณ์แปรบังคับ
- ตัวแปลงแท่งโลหะ
- ประแจขันน็อตล็อก
- ประแจหกเหลี่ยม
- แวนตาริกย์
- จาระบีเครื่องเสกต์
- กระเป๋ใส่อุปกรณ์
- จาระบีดอกสว่าน

หมายเหตุ:

- อุปกรณ์บางรายการอาจมีมาให้พร้อมกับชุดอุปกรณ์เป็นอุปกรณ์เสริมมาตรฐาน ซึ่งอาจแตกต่างกันไปในแต่ละประเทศ

Makita Corporation

3-11-8, Sumiyoshi-cho,
Anjo, Aichi 446-8502 Japan
www.makita.com

884096D374
EN, ZHCN, ID, MS,
VI, TH
20191030