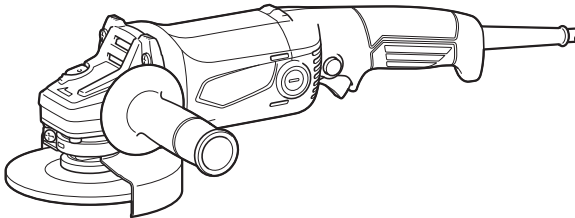




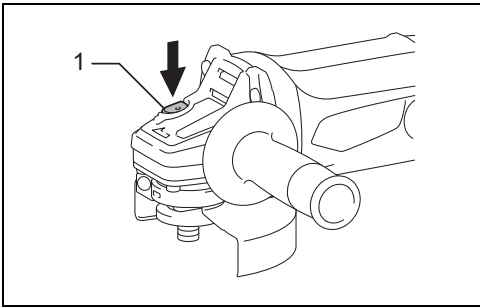
GB	Angle Grinder	Instruction manual
ID	Gerinda Sudut	Petunjuk penggunaan
VI	Máy Mài Góc Cầm Tay Hoạt Động Bằng Động Cơ Điện	Tài liệu hướng dẫn
TH	เครื่องเจียไฟฟ้า	คู่มือการใช้งาน

M9002
M9003



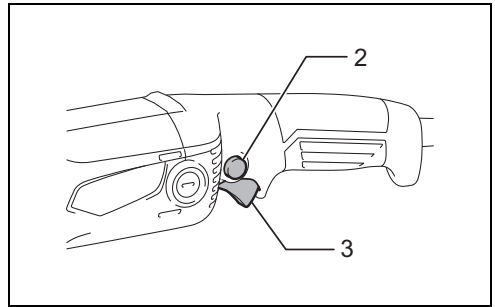
015065





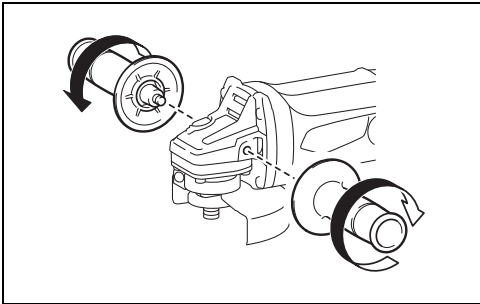
1

015066



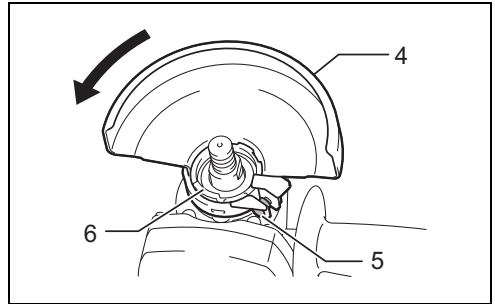
2

015067



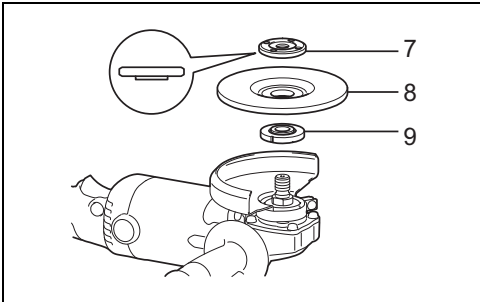
3

015068



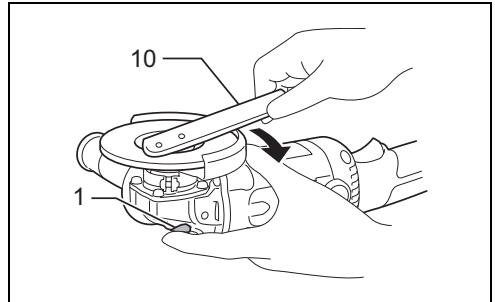
4

015069



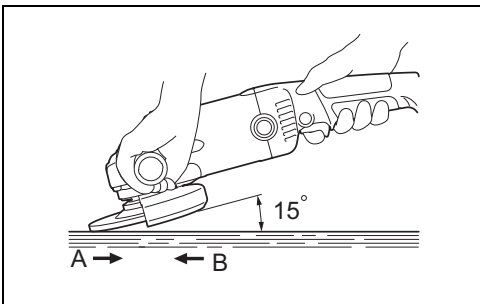
5

015048



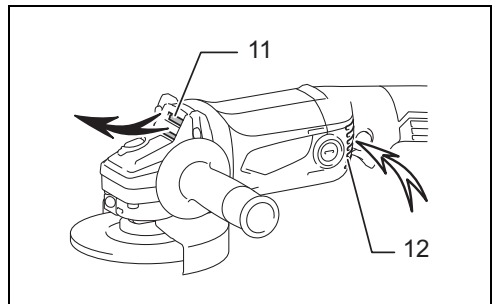
6

015049



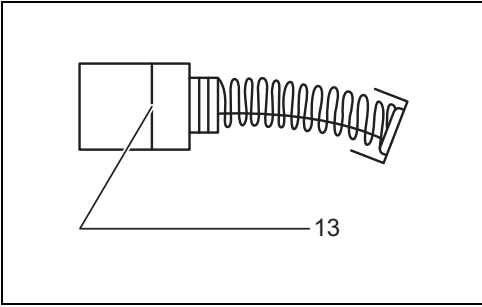
7

015050



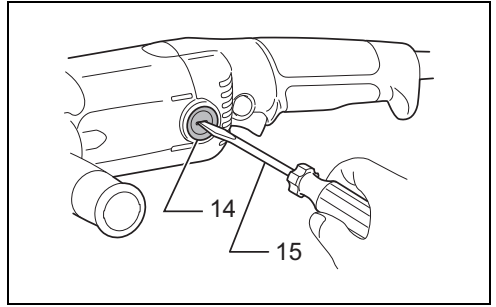
8

015071



9

001145



10

015051

ENGLISH (Original instructions)

Explanation of general view

- | | | |
|-------------------|---|----------------------|
| 1. Shaft lock | 7. Lock nut | 12. Inhalation vent |
| 2. Lock button | 8. Depressed center grinding wheel/
Multi-disc | 13. Limit mark |
| 3. Switch trigger | 9. Inner flange | 14. Brush holder cap |
| 4. Wheel guard | 10. Lock nut wrench | 15. Screwdriver |
| 5. Screw | | |
| 6. Bearing box | | |

SPECIFICATIONS

Model	M9002	M9003
Depressed center wheel diameter	125 mm	150 mm
Max. wheel thickness	6 mm	
Spindle thread	M14 or 5/8" (country specific)	
Rated speed (n)/No load speed (n ₀)	11,000 min ⁻¹	10,000 min ⁻¹
Overall length	361 mm	361 mm
Net weight	2.8 kg	2.8 kg
Safety class	□/II	

- Due to our continuing program of research and development, the specifications herein are subject to change without notice.
- Specifications may differ from country to country.
- Weight according to EPTA-Procedure 01/2003

Symbols

END202-8

The following show the symbols used for the equipment. Be sure that you understand their meaning before use.



..... Read instruction manual.



..... DOUBLE INSULATION



..... Wear safety glasses.

Intended use

ENE077-2

The tool is intended for grinding of metal and stone materials without the use of water.

Power supply

ENF002-2

The tool should be connected only to a power supply of the same voltage as indicated on the nameplate, and can only be operated on single-phase AC supply. They are double-insulated and can, therefore, also be used from sockets without earth wire.

General Power Tool Safety Warnings

GEA005-3

⚠ WARNING Read all safety warnings and all instructions. Failure to follow the warnings and instructions may result in electric shock, fire and/or serious injury.

Save all warnings and instructions for future reference.

The term "power tool" in the warnings refers to your mains-operated (corded) power tool or battery-operated (cordless) power tool.

Work area safety

1. **Keep work area clean and well lit.** Cluttered or dark areas invite accidents.
2. **Do not operate power tools in explosive atmospheres, such as in the presence of flammable liquids, gases or dust.** Power tools create sparks which may ignite the dust or fumes.
3. **Keep children and bystanders away while operating a power tool.** Distractions can cause you to lose control.

Electrical safety

4. **Power tool plugs must match the outlet. Never modify the plug in any way. Do not use any adapter plugs with earthed (grounded) power tools.** Unmodified plugs and matching outlets will reduce risk of electric shock.
5. **Avoid body contact with earthed or grounded surfaces such as pipes, radiators, ranges and refrigerators.** There is an increased risk of electric shock if your body is earthed or grounded.
6. **Do not expose power tools to rain or wet conditions.** Water entering a power tool will increase the risk of electric shock.
7. **Do not abuse the cord. Never use the cord for carrying, pulling or unplugging the power tool. Keep cord away from heat, oil, sharp edges or moving parts.** Damaged or entangled cords increase the risk of electric shock.

8. **When operating a power tool outdoors, use an extension cord suitable for outdoor use.** Use of a cord suitable for outdoor use reduces the risk of electric shock.
9. **If operating a power tool in a damp location is unavoidable, use a residual current device (RCD) protected supply.** Use of an RCD reduces the risk of electric shock.
10. **Use of power supply via a RCD with a rated residual current of 30 mA or less is always recommended.**

Personal safety

11. **Stay alert, watch what you are doing and use common sense when operating a power tool. Do not use a power tool while you are tired or under the influence of drugs, alcohol or medication.** A moment of inattention while operating power tools may result in serious personal injury.
12. **Use personal protective equipment. Always wear eye protection.** Protective equipment such as dust mask, non-skid safety shoes, hard hat, or hearing protection used for appropriate conditions will reduce personal injuries.
13. **Prevent unintentional starting. Ensure the switch is in the off-position before connecting to power source and/or battery pack, picking up or carrying the tool.** Carrying power tools with your finger on the switch or energising power tools that have the switch on invites accidents.
14. **Remove any adjusting key or wrench before turning the power tool on.** A wrench or a key left attached to a rotating part of the power tool may result in personal injury.
15. **Do not overreach. Keep proper footing and balance at all times.** This enables better control of the power tool in unexpected situations.
16. **Dress properly. Do not wear loose clothing or jewellery. Keep your hair, clothing, and gloves away from moving parts.** Loose clothes, jewellery or long hair can be caught in moving parts.
17. **If devices are provided for the connection of dust extraction and collection facilities, ensure these are connected and properly used.** Use of dust collection can reduce dust-related hazards.

Power tool use and care

18. **Do not force the power tool. Use the correct power tool for your application.** The correct power tool will do the job better and safer at the rate for which it was designed.
19. **Do not use the power tool if the switch does not turn it on and off.** Any power tool that cannot be controlled with the switch is dangerous and must be repaired.
20. **Disconnect the plug from the power source and/or the battery pack from the power tool before making any adjustments, changing accessories, or storing power tools.** Such preventive safety measures reduce the risk of starting the power tool accidentally.
21. **Store idle power tools out of the reach of children and do not allow persons unfamiliar with the power tool or these instructions to operate the**

power tool. Power tools are dangerous in the hands of untrained users.

22. **Maintain power tools. Check for misalignment or binding of moving parts, breakage of parts and any other condition that may affect the power tool's operation. If damaged, have the power tool repaired before use.** Many accidents are caused by poorly maintained power tools.
23. **Keep cutting tools sharp and clean.** Properly maintained cutting tools with sharp cutting edges are less likely to bind and are easier to control.
24. **Use the power tool, accessories and tool bits etc. in accordance with these instructions, taking into account the working conditions and the work to be performed.** Use of the power tool for operations different from those intended could result in a hazardous situation.

Service

25. **Have your power tool serviced by a qualified repair person using only identical replacement parts.** This will ensure that the safety of the power tool is maintained.
26. **Follow instruction for lubricating and changing accessories.**
27. **Keep handles dry, clean and free from oil and grease.**

GRINDER SAFETY WARNINGS

GEB110-3

Safety Warnings Common for Grinding Operations:

1. **This power tool is intended to function as a grinder. Read all safety warnings, instructions, illustrations and specifications provided with this power tool.** Failure to follow all instructions listed below may result in electric shock, fire and/or serious injury.
2. **Operations such as sanding, wire brushing, polishing or cutting-off are not recommended to be performed with this power tool.** Operations for which the power tool was not designed may create a hazard and cause personal injury.
3. **Do not use accessories which are not specifically designed and recommended by the tool manufacturer.** Just because the accessory can be attached to your power tool, it does not assure safe operation.
4. **The rated speed of the accessory must be at least equal to the maximum speed marked on the power tool.** Accessories running faster than their rated speed can break and fly apart.
5. **The outside diameter and the thickness of your accessory must be within the capacity rating of your power tool.** Incorrectly sized accessories cannot be adequately guarded or controlled.
6. **Threaded mounting of accessories must match the grinder spindle thread. For accessories mounted by flanges, the arbour hole of the accessory must fit the locating diameter of the flange.** Accessories that do not match the mounting hardware of the power tool will run out of balance, vibrate excessively and may cause loss of control.
7. **Do not use a damaged accessory. Before each use inspect the accessory such as abrasive wheels for**

chips and cracks, backing pad for cracks, tear or excess wear. If power tool or accessory is dropped, inspect for damage or install an undamaged accessory. After inspecting and installing an accessory, position yourself and bystanders away from the plane of the rotating accessory and run the power tool at maximum no-load speed for one minute. Damaged accessories will normally break apart during this test time.

8. **Wear personal protective equipment. Depending on application, use face shield, safety goggles or safety glasses. As appropriate, wear dust mask, hearing protectors, gloves and workshop apron capable of stopping small abrasive or workpiece fragments.** The eye protection must be capable of stopping flying debris generated by various operations. The dust mask or respirator must be capable of filtrating particles generated by your operation. Prolonged exposure to high intensity noise may cause hearing loss.
9. **Keep bystanders a safe distance away from work area. Anyone entering the work area must wear personal protective equipment.** Fragments of workpiece or of a broken accessory may fly away and cause injury beyond immediate area of operation.
10. **Hold the power tool by insulated gripping surfaces only, when performing an operation where the cutting accessory may contact hidden wiring or its own cord.** Cutting accessory contacting a "live" wire may make exposed metal parts of the power tool "live" and could give the operator an electric shock.
11. **Position the cord clear of the spinning accessory.** If you lose control, the cord may be cut or snagged and your hand or arm may be pulled into the spinning accessory.
12. **Never lay the power tool down until the accessory has come to a complete stop.** The spinning accessory may grab the surface and pull the power tool out of your control.
13. **Do not run the power tool while carrying it at your side.** Accidental contact with the spinning accessory could snag your clothing, pulling the accessory into your body.
14. **Regularly clean the power tool's air vents.** The motor's fan will draw the dust inside the housing and excessive accumulation of powdered metal may cause electrical hazards.
15. **Do not operate the power tool near flammable materials.** Sparks could ignite these materials.
16. **Do not use accessories that require liquid coolants.** Using water or other liquid coolants may result in electrocution or shock.

Kickback and Related Warnings

Kickback is a sudden reaction to a pinched or snagged rotating wheel, backing pad, brush or any other accessory. Pinching or snagging causes rapid stalling of the rotating accessory which in turn causes the uncontrolled power tool to be forced in the direction opposite of the accessory's rotation at the point of the binding.

For example, if an abrasive wheel is snagged or pinched by the workpiece, the edge of the wheel that is entering into the pinch point can dig into the surface of the material causing the wheel to climb out or kick out. The wheel may

either jump toward or away from the operator, depending on direction of the wheel's movement at the point of pinching. Abrasive wheels may also break under these conditions.

Kickback is the result of power tool misuse and/or incorrect operating procedures or conditions and can be avoided by taking proper precautions as given below.

- a) **Maintain a firm grip on the power tool and position your body and arm to allow you to resist kickback forces. Always use auxiliary handle, if provided, for maximum control over kickback or torque reaction during start-up.** The operator can control torque reactions or kickback forces, if proper precautions are taken.
- b) **Never place your hand near the rotating accessory.** Accessory may kickback over your hand.
- c) **Do not position your body in the area where power tool will move if kickback occurs.** Kickback will propel the tool in direction opposite to the wheel's movement at the point of snagging.
- d) **Use special care when working corners, sharp edges etc. Avoid bouncing and snagging the accessory.** Corners, sharp edges or bouncing have a tendency to snag the rotating accessory and cause loss of control or kickback.
- e) **Do not attach a saw chain woodcarving blade or toothed saw blade.** Such blades create frequent kickback and loss of control.

Safety Warnings Specific for Grinding Operation:

- a) **Use only wheel types that are recommended for your power tool and the specific guard designed for the selected wheel.** Wheels for which the power tool was not designed cannot be adequately guarded and are unsafe.
- b) **The grinding surface of centre depressed wheels must be mounted below the plane of the guard lip.** An improperly mounted wheel that projects through the plane of the guard lip cannot be adequately protected.
- c) **The guard must be securely attached to the power tool and positioned for maximum safety, so the least amount of wheel is exposed towards the operator.** The guard helps to protect the operator from broken wheel fragments, accidental contact with wheel and sparks that could ignite clothing.
- d) **Wheels must be used only for recommended applications. For example: do not grind with the side of cut-off wheel.** Abrasive cut-off wheels are intended for peripheral grinding, side forces applied to these wheels may cause them to shatter.
- e) **Always use undamaged wheel flanges that are of correct size and shape for your selected wheel.** Proper wheel flanges support the wheel thus reducing the possibility of wheel breakage. Flanges for cut-off wheels may be different from grinding wheel flanges.
- f) **Do not use worn down wheels from larger power tools.** Wheel intended for larger power tool is not suitable for the higher speed of a smaller tool and may burst.

Additional Safety Warnings:

17. **When using depressed centre grinding wheels, be sure to use only fiberglass-reinforced wheels.**

18. **NEVER USE Stone Cup type wheels with this grinder.** This grinder is not designed for these types of wheels and the use of such a product may result in serious personal injury.
19. **Be careful not to damage the spindle, the flange (especially the installing surface) or the lock nut.** Damage to these parts could result in wheel breakage.
20. **Make sure the wheel is not contacting the workpiece before the switch is turned on.**
21. **Before using the tool on an actual workpiece, let it run for a while. Watch for vibration or wobbling that could indicate poor installation or a poorly balanced wheel.**
22. **Use the specified surface of the wheel to perform the grinding.**
23. **Do not leave the tool running. Operate the tool only when hand-held.**
24. **Do not touch the workpiece immediately after operation; it may be extremely hot and could burn your skin.**
25. **Observe the instructions of the manufacturer for correct mounting and use of wheels. Handle and store wheels with care.**
26. **Do not use separate reducing bushings or adaptors to adapt large hole abrasive wheels.**
27. **Use only flanges specified for this tool.**
28. **For tools intended to be fitted with threaded hole wheel, ensure that the thread in the wheel is long enough to accept the spindle length.**
29. **Check that the workpiece is properly supported.**
30. **Pay attention that the wheel continues to rotate after the tool is switched off.**
31. **If working place is extremely hot and humid, or badly polluted by conductive dust, use a short-circuit breaker (30 mA) to assure operator safety.**
32. **Do not use the tool on any materials containing asbestos.**
33. **Do not use cloth work gloves during operation.** Fibers from cloth gloves may enter the tool, which causes tool breakage.

SAVE THESE INSTRUCTIONS.

WARNING:

DO NOT let comfort or familiarity with product (gained from repeated use) replace strict adherence to safety rules for the subject product. MISUSE or failure to follow the safety rules stated in this instruction manual may cause serious personal injury.

FUNCTIONAL DESCRIPTION

CAUTION:

- Always be sure that the tool is switched off and unplugged before adjusting or checking function on the tool.

Shaft lock

CAUTION:

- Never actuate the shaft lock when the spindle is moving. The tool may be damaged.

Press the shaft lock to prevent spindle rotation when installing or removing accessories. (Fig. 1)

Switch action

CAUTION:

- Before plugging in the tool, always check to see that the switch trigger actuates properly and returns to the "OFF" position when released. (Fig. 2)

For tool without lock button

To start the tool, simply pull the switch trigger. Release the switch trigger to stop.

For tool with lock button

CAUTION:

- Switch can be locked in "ON" position for ease of operator comfort during extended use. Apply caution when locking tool in "ON" position and maintain firm grasp on tool.

To start the tool, simply pull the switch trigger. Release the switch trigger to stop.

For continuous operation, pull the switch trigger and then push in the lock button.

To stop the tool from the locked position, pull the switch trigger fully, and then release it.

ASSEMBLY

CAUTION:

- Always be sure that the tool is switched off and unplugged before carrying out any work on the tool.

Installing side grip (handle)

CAUTION:

- Always be sure that the side grip is installed securely before operation.

Screw the side grip securely on the position of the tool as shown in the figure. (Fig. 3)

Installing or removing wheel guard (For depressed center wheel/Multi disc)

CAUTION:

- When using a depressed center grinding wheel/Multi-disc, the wheel guard must be fitted on the tool so that the closed side of the guard always points toward the operator.

Mount the wheel guard with the protrusion on the wheel guard band aligned with the notch on the bearing box.

Then rotate the wheel guard to such an angle that it can protect the operator according to work. Be sure to tighten the screw securely. (Fig. 4)

To remove wheel guard, follow the installation procedure in reverse.

Installing or removing depressed center grinding wheel/Multi-disc (optional accessory)

WARNING:

- Always use supplied guard when depressed center grinding wheel/Multi-disc is on tool. Wheel can shatter during use and guard helps to reduce chances of personal injury.

Mount the inner flange onto the spindle. Fit the wheel/disc on the inner flange and screw the lock nut onto the spindle. **(Fig. 5)**

To tighten the lock nut, press the shaft lock firmly so that the spindle cannot revolve, then use the lock nut wrench and securely tighten clockwise. **(Fig. 6)**

To remove the wheel, follow the installation procedure in reverse.

OPERATION

WARNING:

- It should never be necessary to force the tool. The weight of the tool applies adequate pressure. Forcing and excessive pressure could cause dangerous wheel breakage.
- ALWAYS replace wheel if tool is dropped while grinding.
- NEVER bang or hit grinding disc or wheel onto work.
- Avoid bouncing and snagging the wheel, especially when working corners, sharp edges etc. This can cause loss of control and kickback.
- NEVER use tool with wood cutting blades and other sawblades. Such blades when used on a grinder frequently kick and cause loss of control leading to personal injury.

CAUTION:

- Never switch on the tool when it is in contact with the workpiece, it may cause an injury to operator.
- Always wear safety goggles or a face shield during operation.
- After operation, always switch off the tool and wait until the wheel has come to a complete stop before putting the tool down.

Grinding operation (Fig. 7)

ALWAYS hold the tool firmly with one hand on rear handle and the other on the side handle. Turn the tool on and then apply the wheel or disc to the workpiece.

In general, keep the edge of the wheel or disc at an angle of about 15 degrees to the workpiece surface.

During the break-in period with a new wheel, do not work the grinder in the B direction or it will cut into the workpiece. Once the edge of the wheel has been rounded off by use, the wheel may be worked in both A and B direction.

MAINTENANCE

CAUTION:

- Always be sure that the tool is switched off and unplugged before attempting to perform inspection or maintenance.
- Never use gasoline, benzine, thinner, alcohol or the like. Discoloration, deformation or cracks may result. The tool and its air vents have to be kept clean. Regularly clean the tool's air vents or whenever the vents start to become obstructed. **(Fig. 8)**

Replacing carbon brushes (Fig. 9)

Remove and check the carbon brushes regularly. Replace when they wear down to the limit mark. Keep the carbon brushes clean and free to slip in the holders. Both carbon

brushes should be replaced at the same time. Use only identical carbon brushes.

Use a screwdriver to remove the brush holder caps. Take out the worn carbon brushes, insert the new ones and secure the brush holder caps. **(Fig. 10)**

To maintain product SAFETY and RELIABILITY, repairs, any other maintenance or adjustment should be performed by Makita Authorized Service Centers, always using Makita replacement parts.

BAHASA INDONESIA (Petunjuk Asli)

Penjelasan tampilan keseluruhan

- | | | |
|-------------------|---|-------------------------|
| 1. Kunci as | 7. Mur pengunci | 12. Ventilasi isap |
| 2. Tombol kunci | 8. Roda gerinda nap cekung/Multi-cakram | 13. Garis batas |
| 3. Picu sakelar | 9. Flensa dalam | 14. Tutup borstel arang |
| 4. Pelindung roda | 10. Kunci pas mur pengunci | 15. Obeng |
| 5. Sekrup | | |
| 6. Boks bantalan | 11. Ventilasi buang | |

SPESIFIKASI

Model	M9002	M9003
Diameter roda nap cekung	125 mm	150 mm
Ketebalan roda maks.	6 mm	
Drat spindel	M14 atau 5/8" (spesifik per negara)	
Kecepatan nominal (n)/Kecepatan tanpa beban (n ₀)	11.000 men ⁻¹	10.000 men ⁻¹
Panjang keseluruhan	361 mm	361 mm
Berat bersih	2,8 kg	2,8 kg
Kelas keamanan	□/II	

- Karena kesinambungan program penelitian dan pengembangan kami, spesifikasi yang disebutkan di sini dapat berubah tanpa pemberitahuan.
- Spesifikasi dapat berbeda dari satu negara ke negara lainnya.
- Berat menurut Prosedur EPTA 01/2003

Simbol-simbol END202-8

Berikut ini adalah simbol-simbol yang digunakan pada alat ini. Pastikan Anda mengerti makna masing-masing simbol sebelum menggunakan alat ini.



..... Baca petunjuk penggunaan.



..... ISOLASI GANDA



..... Kenakan kacamata pengaman.

Maksud penggunaan ENE077-2

Mesin ini dimaksudkan untuk menggerinda logam dan bahan batuan tanpa menggunakan air.

Pasokan daya ENF002-2

Alat harus terhubung dengan pasokan daya listrik yang bertegangan sama dengan yang tertera pada pelat nama, dan hanya dapat dijalankan dengan listrik AC fase tunggal. Alat ini diisolasi ganda dan oleh sebab itu dapat dihubungkan dengan soket tanpa arde.

Peringatan Keselamatan Umum Mesin Listrik GEA005-3

⚠ PERINGATAN Bacalah semua peringatan keselamatan dan semua petunjuk. Kelalaian mematuhi peringatan dan petunjuk dapat menyebabkan sengatan listrik, kebakaran dan/atau cedera serius.

Simpanlah semua peringatan dan petunjuk untuk acuan di masa depan.

Istilah "mesin listrik" dalam semua peringatan mengacu pada mesin listrik yang dijalankan dengan sumber listrik jala-jala (berkabel) atau baterai (tanpa kabel).

Keselamatan tempat kerja

1. **Jagalah tempat kerja selalu bersih dan berpenerangan cukup.** Tempat yang berantakan atau gelap mengundang kecelakaan.
2. **Jangan mengoperasikan mesin listrik dalam atmosfer yang mudah meledak, seperti bila ada cairan, gas, atau debu mudah menyala.** Mesin listrik menimbulkan percikan api yang dapat menyalakan debu atau uap tersebut.
3. **Jauhkan anak-anak dan orang lain saat menggunakan mesin listrik.** Bila perhatian terpecah, Anda dapat kehilangan kendali.

Keamanan kelistrikan

4. **Steker mesin listrik harus cocok dengan stopkontak. Jangan sekali-kali mengubah steker dengan cara apa pun. Jangan menggunakan steker adaptor dengan mesin listrik berarde (dibumikan).** Steker yang tidak diubah dan stopkontak yang cocok akan mengurangi risiko sengatan listrik.
5. **Hindari sentuhan tubuh dengan permukaan berarde atau yang dibumikan seperti pipa, radiator, kompor, dan kulkas.** Risiko sengatan listrik bertambah jika tubuh Anda terbumikan atau terarde.
6. **Jangan membiarkan mesin listrik kehujanan atau kebasahan.** Air yang masuk ke dalam mesin listrik akan meningkatkan risiko sengatan listrik.
7. **Jangan menyalahgunakan kabel. Jangan sekali-kali menggunakan kabel untuk membawa, menarik, atau mencabut mesin listrik dari stopkontak. Jauhkan kabel dari panas, minyak, tepian tajam, atau bagian yang bergerak.** Kabel

yang rusak atau kusut memperbesar risiko sengatan listrik.

8. **Bila menggunakan mesin listrik di luar ruangan, gunakan kabel ekstensi yang sesuai untuk penggunaan di luar ruangan.** Penggunaan kabel yang sesuai untuk penggunaan luar ruangan mengurangi risiko sengatan listrik.
9. **Jika mengoperasikan mesin listrik di lokasi lembap tidak dapat dihindari, gunakan pasokan daya yang dilindungi piranti imbasan arus (residual current device - RCD).** Penggunaan RCD mengurangi risiko sengatan listrik.
10. **Penggunaan pasokan daya melalui RCD dengan kapasitas arus sisa 30 mA atau kurang selalu dianjurkan.**

Keselamatan diri

11. **Jaga kewaspadaan, perhatikan pekerjaan Anda dan gunakan akal sehat bila menggunakan mesin listrik. Jangan menggunakan mesin listrik saat Anda lelah atau di bawah pengaruh obat bius, alkohol, atau obat.** Sekejaip saja lalai saat menggunakan mesin listrik dapat menyebabkan cedera diri yang serius.
12. **Gunakan alat pelindung diri. Selalu kenakan pelindung mata.** Peralatan pelindung seperti masker debu, sepatu pengaman anti-selip, helm pengaman, atau pelindung telinga yang digunakan untuk kondisi yang sesuai akan mengurangi risiko cedera diri.
13. **Cegah penyalan yang tidak disengaja. Pastikan bahwa sakelar berada dalam posisi mati (off) sebelum menghubungkan mesin ke sumber daya dan/atau baterai, atau mengangkat atau membawanya.** Membawa mesin listrik dengan jari Anda pada sakelarnya atau mengalirkan listrik pada mesin listrik yang sakelarnya hidup (on) akan mengundang kecelakaan.
14. **Lepaskan kunci-kunci penyetel sebelum menghidupkan mesin listrik.** Kunci-kunci yang masih terpasang pada bagian mesin listrik yang berputar dapat menyebabkan cedera.
15. **Jangan meraih terlalu jauh. Jagalah pijakan dan keseimbangan sepanjang waktu.** Hal ini memungkinkan kendali yang lebih baik atas mesin listrik dalam situasi yang tidak diharapkan.
16. **Kenakan pakaian yang sesuai. Jangan memakai pakaian yang kedodoran atau perhiasan. Jaga jarak antara rambut, pakaian, dan sarung tangan Anda dengan bagian mesin yang bergerak.** Pakaian kedodoran, perhiasan, atau rambut panjang dapat tersangkut pada bagian yang bergerak.
17. **Jika tersedia fasilitas untuk menghisap dan mengumpulkan debu, pastikan fasilitas tersebut terhubung listrik dan digunakan dengan baik.** Penggunaan pembersih debu dapat mengurangi bahaya yang terkait dengan debu.

Penggunaan dan pemeliharaan mesin listrik

18. **Jangan memaksa mesin listrik. Gunakan mesin listrik yang tepat untuk keperluan Anda.** Mesin listrik yang tepat akan menuntaskan pekerjaan dengan lebih baik dan aman pada kecepatan sesuai rancangannya.
19. **Jangan gunakan mesin jika saklar tidak bisa menghidupkan atau mematikannya.** Mesin listrik

yang tidak dapat dikendalikan dengan sakelarnya adalah berbahaya dan harus diperbaiki.

20. **Cabut steker dari sumber listrik dan/atau baterai dari mesin listrik sebelum melakukan penyetelan, penggantian aksesoris, atau menyimpang mesin listrik.** Langkah keselamatan preventif tersebut mengurangi risiko hidupnya mesin secara tak sengaja.
21. **Simpan mesin listrik jauh dari jangkauan anak-anak dan jangan biarkan orang yang tidak paham mengenai mesin listrik tersebut atau petunjuk ini menggunakan mesin listrik.** Mesin listrik sangat berbahaya di tangan pengguna yang tak terlatih.
22. **Rawatlah mesin listrik. Periksa apakah ada bagian bergerak yang tidak lurus atau macet, bagian yang pecah dan kondisi lain yang dapat mempengaruhi penggunaan mesin listrik. Jika rusak, perbaiki dahulu mesin listrik sebelum digunakan.** Banyak kecelakaan disebabkan oleh kurangnya pemeliharaan mesin listrik.
23. **Jaga agar mesin pemotong tetap tajam dan bersih.** Mesin pemotong yang terawat baik dengan mata pemotong yang tajam tidak mudah macet dan lebih mudah dikendalikan.
24. **Gunakan mesin listrik, aksesoris, dan mata mesin, dll. sesuai dengan petunjuk ini, dengan memperhitungkan kondisi kerja dan jenis pekerjaan yang dilakukan.** Penggunaan mesin listrik untuk penggunaan yang lain dari peruntukan dapat menimbulkan situasi berbahaya.

Servis

25. **Berikan mesin listrik untuk diperbaiki hanya kepada teknisi yang berkualifikasi dengan menggunakan hanya suku cadang pengganti yang serupa.** Hal ini akan menjamin terjaganya keamanan mesin listrik.
26. **Patuhi petunjuk pelumasan dan penggantian aksesoris.**
27. **Jagalah agar gagang kering, bersih, dan bebas dari minyak dan gemuk.**

PERINGATAN KESELAMATAN GERINDA

GEB110-3

Peringatan Keselamatan Umum untuk Pekerjaan Penggerindaan:

1. **Mesin listrik ini dimaksudkan untuk digunakan sebagai gerinda. Bacalah semua peringatan keselamatan, petunjuk, ilustrasi, dan spesifikasi yang disediakan bersama dengan mesin listrik ini.** Kelalaian untuk mematuhi seluruh petunjuk di bawah ini dapat mengakibatkan sengatan listrik, kebakaran, dan/atau cedera serius.
2. **Pekerjaan seperti pengampelasan, penyikatan kawat, pemolesan, atau pemotongan tidak dianjurkan menggunakan mesin listrik ini.** Pekerjaan yang tidak cocok dengan desain mesin listrik ini dapat menimbulkan bahaya dan menyebabkan cedera.
3. **Jangan menggunakan aksesoris yang tidak secara khusus dirancang dan direkomendasikan oleh pabrik pembuat mesin.** Hanya karena aksesoris bisa dipasang pada mesin listrik Anda, tidak berarti bahwa penggunaannya pasti aman.

4. **Kecepatan nominal aksesoris setidaknya harus sama dengan kecepatan maksimum yang tertera pada mesin listrik.** Aksesoris yang berputar lebih cepat daripada kecepatan nominalnya dapat pecah dan beterbangan ke mana-mana.
5. **Diameter luar dan ketebalan aksesoris Anda harus berada dalam kapasitas nominal mesin listrik Anda.** Aksesoris yang berukuran salah tidak akan bisa terlindungi atau dikendalikan dengan baik.
6. **Drat pemasangan aksesoris harus cocok dengan drat spindel gerinda. Untuk aksesoris yang dipasang dengan flensa, lubang paksi aksesoris harus pas dengan diameter penempatan flensa.** Aksesoris yang tidak cocok dengan perangkat keras pemasangan pada mesin listrik akan berputar tidak seimbang, bergetar keras, dan dapat menyebabkan hilangnya kendali.
7. **Jangan menggunakan aksesoris yang rusak. Setiap kali akan digunakan, periksa aksesoris seperti roda gerinda dari adanya serpihan dan retakan, backing pad dari adanya retakan, sobekan, atau keausan berlebih. Jika mesin listrik atau aksesoris terjatuh, periksa apakah ada kerusakan atau pasanglah aksesoris yang tidak rusak. Setelah memeriksa dan memasang aksesoris, jauhkan diri Anda dan orang lain dari bidang perputaran aksesoris dan jalankan mesin listrik pada kecepatan tanpa beban maksimum selama satu menit.** Aksesoris yang rusak biasanya akan hancur selama pengujian ini.
8. **Kenakan alat pelindung diri. Tergantung pemakaian, gunakanlah pelindung wajah dan kacamata pengaman. Jika perlu, pakailah masker debu, pelindung pendengaran, sarung tangan, dan apron kerja yang mampu menahan kepingan kecil bahan abrasif atau benda kerja.** Pelindung mata harus mampu menghentikan serpihan beterbangan yang dihasilkan oleh berbagai macam pekerjaan. Masker debu atau respirator harus mampu menyaring partikel yang dihasilkan dalam pekerjaan Anda. Kebisingan berintensitas tinggi yang lama dapat merusak pendengaran.
9. **Jaga agar orang lain berada pada jarak yang aman dari area kerja. Setiap orang yang masuk ke area kerja harus memakai alat pelindung diri.** Serpihan benda kerja atau aksesoris yang pecah dapat terlontar dan melukai orang di luar area kerja.
10. **Pegang mesin listrik hanya pada permukaan genggam yang terisolasi bila dalam melakukan pekerjaan, aksesoris pemotong dapat menyentuh kawat tersembunyi atau kabelnya sendiri.** Aksesoris pemotong yang menyentuh kawat "hidup" (teraliri arus listrik) dapat menyebabkan bagian logam yang terbuka pada mesin ikut teraliri arus listrik dan menyangat pengguna.
11. **Posisikan kabel jauh dari aksesoris yang berputar.** Jika Anda kehilangan kendali, kabel dapat terpotong atau tersangkut dan tangan atau lengan Anda dapat tertarik ke aksesoris yang berputar tersebut.
12. **Jangan sekali-kali meletakkan mesin listrik sebelum aksesoris berhenti sepenuhnya.** Aksesoris yang berputar dapat tersangkut pada permukaan dan menarik mesin listrik lepas dari kendali Anda.
13. **Jangan menyalakan mesin listrik saat membawanya di sisi tubuh Anda.** Kontak tak

disengaja dengan aksesoris yang berputar dapat menggulung pakaian Anda dan menarik aksesoris ke tubuh Anda.

14. **Bersihkan lubang ventilasi udara mesin listrik ini secara teratur.** Kipas motor mesin ini akan menyedot masuk debu ke bagian dalamnya dan akumulasi serbuk logam yang berlebihan dapat menimbulkan bahaya kelistrikan.
15. **Jangan menggunakan mesin listrik di dekat bahan yang mudah menyala.** Bunga api dapat menyalakan bahan tersebut.
16. **Jangan gunakan aksesoris yang membutuhkan cairan pendingin.** Penggunaan air atau cairan pendingin lain dapat mengakibatkan sengatan listrik yang bisa mematikan.

Tendang-balik dan Peringatan Terkait

Tendang-balik adalah reaksi tiba-tiba terhadap terjepit atau tersangkutnya roda, backing pad, sikat, atau aksesoris lain yang sedang berputar. Kondisi terjepit atau tersangkut ini menyebabkan aksesoris yang sedang berputar terhenti secara tiba-tiba, yang kemudian menyebabkan mesin listrik yang tidak terkendali ini terdorong ke arah yang berlawanan dengan arah perputaran aksesoris di titik kemacetan itu. Misalnya, jika roda gerinda tersangkut atau terjepit oleh benda kerja, tepian roda yang masuk ke dalam titik jepit dapat "menggali" masuk ke dalam permukaan bahan tersebut sehingga menyebabkan roda memanjat keluar atau menendang balik. Roda dapat melompat mendekati atau menjauhi operator, tergantung arah gerak roda di titik jepit tersebut. Roda gerinda juga dapat pecah dalam kondisi seperti ini.

Tendang-balik merupakan akibat dari penyalahgunaan mesin listrik dan/atau prosedur atau kondisi penggunaan yang tidak tepat dan dapat dihindari dengan mengambil langkah pengamanan berikut ini.

- a) **Genggamlah mesin listrik dengan kuat setiap saat dan posisikan tubuh dan tangan Anda untuk menahan gaya tendang-balik. Gunakan selalu gagang tambahan, jika tersedia, untuk mengendalikannya sepenuhnya tendang-balik atau reaksi torsi saat mesin dihidupkan.** Reaksi torsi dan gaya tendang-balik dapat dikendalikan oleh pengguna, jika langkah pengamanan yang sesuai diambil.
- b) **Jangan pernah menempatkan tangan Anda di dekat aksesoris yang berputar.** Aksesoris dapat menendang-balik ke tangan Anda.
- c) **Jangan memposisikan tubuh Anda ke arah mesin akan bergerak jika terjadi tendang-balik.** Tendang-balik akan mendorong mesin ke arah yang berlawanan dengan arah gerak roda di titik sangkutan.
- d) **Lebih berhati-hatilah saat Anda mengerjakan sudut, pinggir tajam, dll. Hindari membuat aksesoris terpantul atau tersangkut.** Sudut, pinggir tajam, atau pantulan cenderung menyebabkan aksesoris yang berputar tersangkut dan mengakibatkan hilangnya kendali atau tendang-balik.
- e) **Jangan memasang rantai gergaji, pisau ukir kayu, atau mata gergaji bergigi.** Mata pisau/gergaji semacam itu sering menimbulkan tendang-balik dan hilangnya kendali.

Peringatan Keselamatan Khusus untuk Pekerjaan Penggerindaan:

- a) Gunakan hanya jenis roda yang direkomendasikan untuk mesin listrik Anda dan pelindung khusus yang dirancang untuk roda yang dipilih. Roda yang tidak cocok dengan rancangan mesin tidak dapat terlindungi dengan baik dan tidak aman.
- b) Permukaan penggerindaan roda nap cekung harus dipasang di bawah bidang bibir pelindung. Roda yang dipasang dengan tidak benar, yaitu menonjol keluar dari bidang bibir pelindung tidak akan bisa terlindungi secara memadai.
- c) Pelindung harus dipasang kuat pada mesin dan diposisikan untuk keamanan maksimum, sehingga bagian roda yang berhadapan dengan pengguna menjadi sesedikit mungkin. Pelindung membantu melindungi pengguna dari kepingan roda yang pecah, sentuhan tak disengaja dengan roda, dan percikan bunga api yang dapat menyulut pakaian.
- d) Roda hanya boleh digunakan untuk penggunaan yang dianjurkan. Misalnya: jangan menggerinda dengan bagian sisi roda pemotong. Roda gerinda pemotong dimaksudkan untuk penggerindaan pada tepi luarnya; gaya samping yang diberikan pada roda dapat memecahkannya.
- e) Selalu gunakan flensa roda utuh yang ukuran dan bentuknya tepat untuk roda yang Anda pilih. Flensa roda yang tepat akan mendukung roda dan oleh sebab itu mengurangi kemungkinan pecahnya roda. Flensa untuk roda pemotong dapat berbeda dengan flensa roda gerinda.
- f) Jangan menggunakan roda yang sudah aus dari mesin listrik yang lebih besar. Roda yang dirancang untuk mesin yang lebih besar tidak cocok dengan kecepatan yang lebih tinggi pada mesin yang lebih kecil dan dapat pecah berkeping-keping.

Peringatan Keselamatan Tambahan:

17. Bila menggunakan roda gerinda bernap cekung, pastikan untuk menggunakan hanya roda yang diperkuat serat kaca.
18. **JANGAN SEKALI-KALI MENGGUNAKAN roda tipe Mangkuk Batu dengan gerinda ini.** Gerinda ini tidak dirancang untuk roda tipe ini dan penggunaan produk demikian dapat mengakibatkan cedera badan serius.
19. Berhati-hatilah untuk tidak merusak spindel, flensa (terutama permukaan pemasangan), atau mur pengunci. Kerusakan bagian-bagian ini dapat menyebabkan pecahnya roda.
20. Pastikan roda tidak menyentuh benda kerja sebelum sakelar dihidupkan.
21. Sebelum menggunakan mesin pada benda kerja sesungguhnya, biarkan mesin berjalan sebentar. Perhatikan apakah ada getaran atau goyangan yang menandakan pemasangan yang tidak baik atau roda yang tidak seimbang.
22. Gunakan permukaan roda yang ditentukan untuk menggerinda.
23. Jangan tinggalkan mesin dalam keadaan hidup. Jalankan mesin hanya ketika digenggam tangan.
24. Jangan menyentuh benda kerja segera setelah pengerjaan; suhunya mungkin sangat panas dan dapat membakar kulit Anda.

25. Patuhi petunjuk pabrik pembuat untuk pemasangan dan penggunaan roda yang tepat. Tangani dan simpan roda dengan hati-hati.
26. Jangan menggunakan paking atau adaptor pengecil terpisah untuk menyesuaikan roda gerinda berlubang besar.
27. Gunakan hanya flensa yang ditentukan untuk mesin ini.
28. Untuk mesin yang dirancang untuk dipasang roda dengan lubang berdrat, pastikan bahwa drat pada roda cukup panjang untuk memuat seluruh panjang spindel.
29. Pastikan bahwa benda kerja ditopang dengan baik.
30. Perhatikan bahwa roda masih akan terus berputar setelah mesin dimatikan.
31. Jika tempat kerja sangat panas dan lembap, atau tercemar berat oleh debu penghantar, gunakan pemutus arus hubung-singkat (30 mA) untuk memastikan keselamatan pengguna.
32. Jangan menggunakan mesin ini pada bahan yang mengandung asbestos.
33. Jangan memakai sarung tangan kerja dari kain selama mengoperasikan. Serat dari sarung tangan kain dapat masuk ke dalam mesin, yang akan menyebabkan kerusakan mesin.

SIMPAN PETUNJUK INI.

⚠ PERINGATAN:

JANGAN biarkan kenyamanan atau terbiasanya Anda dengan produk (karena penggunaan berulang) menggantikan kepatuhan yang ketat terhadap aturan keselamatan untuk produk yang terkait. **PENYALAHGUNAAN** atau kelalaian mematuhi kaidah keselamatan yang tertera dalam petunjuk penggunaan ini dapat menyebabkan cedera badan serius.

DESKRIPSI FUNGSI

⚠ PERHATIAN:

- Selalu pastikan mesin sudah dimatikan dan stekernya dicabut sebelum menyatel atau memeriksa fungsi mesin.

Kunci as

⚠ PERHATIAN:

- Jangan sekali-kali mengaktifkan kunci as saat spindel sedang bergerak. Hal ini dapat menyebabkan kerusakan pada mesin. Tekan kunci as untuk mencegah perputaran spindel saat memasang atau melepas aksesoris. (Gb. 1)

Gerakan sakelar

⚠ PERHATIAN:

- Sebelum menancapkan steker mesin, selalu pastikan bahwa picu sakelar bekerja dengan baik dan kembali ke posisi "OFF" (MATI) saat dilepaskan. (Gb. 2)

Untuk mesin tanpa tombol kunci

Untuk menyalakan mesin, cukup tarik picu sakelarnya. Lepaskan picu sakelar untuk menghentikannya.

Untuk mesin dengan tombol kunci

⚠ PERHATIAN:

- Sakelar dapat dikunci pada posisi "ON" (HIDUP) untuk memudahkan pengguna saat menggunakan mesin dalam waktu lama. Hati-hatilah saat mengunci mesin dalam posisi "ON" (HIDUP) dan genggam mesin kuat-kuat setiap saat.

Untuk menyalakan mesin, cukup tarik picu sakelarnya.

Lepaskan picu sakelar untuk menghentikannya.

Untuk penggunaan terus-menerus, tarik picu sakelar dan kemudian tekan masuk tombol kunci.

Untuk menghentikan mesin dari posisi terkunci, tarik picu sakelar sepenuhnya, dan kemudian lepaskan.

PERAKITAN

⚠ PERHATIAN:

- Selalu pastikan mesin sudah dimatikan dan stekernya dicabut sebelum melakukan pekerjaan apa pun pada mesin.

Memasang pegangan (gagang) samping

⚠ PERHATIAN:

- Selalu pastikan pegangan samping terpasang kuat sebelum penggunaan.

Sekrupkan pegangan samping dengan kuat pada posisi di mesin seperti terlihat pada gambar. (Gb. 3)

Memasang atau melepaskan pelindung roda (Untuk roda nap cekung/Multi-cakram)

⚠ PERHATIAN:

- Bilamana menggunakan roda gerinda nap cekung/ Multi-cakram, pelindung roda harus dipasang pada mesin sedemikian sehingga sisi tertutup pelindung selalu mengarah ke pengguna.

Pasang pelindung roda dengan tonjolan pada setrip pelindung roda terluruskan dengan takik pada boks bantalan. Kemudian putar pelindung roda sampai ke sudut yang tepat sehingga dapat melindungi operator sesuai dengan pekerjaannya. Pastikan sekrup dikencangkan kuat. (Gb. 4)

Untuk melepas pelindung roda, ikuti prosedur pemasangan secara terbalik.

Memasang atau melepaskan roda gerinda nap cekung/Multi-cakram (aksesori tambahan)

⚠ PERINGATAN:

- Selalu gunakan pelindung yang disertakan bila roda gerinda nap cekung/Multi-cakram terpasang pada mesin. Roda dapat pecah berkeping-keping saat digunakan dan pelindung membantu mengurangi kemungkinan timbulnya cedera.

Pasang flensa-dalam pada spindel. Pasangkan roda/cakram pada flensa dalam dan pasang mur pengunci pada spindel. (Gb. 5)

Untuk mengencangkan mur pengunci, tekan kunci as dengan kuat agar spindel tidak dapat berputar, kemudian gunakan kunci pas mur pengunci dan kencangkan penuh searah jarum jam. (Gb. 6)

Untuk melepas roda, ikuti prosedur pemasangan secara terbalik.

PENGOPERASIAN

⚠ PERINGATAN:

- Tidak perlu memaksa mesin. Berat mesin sudah memberi tekanan cukup. Pemaksaan atau tekanan berlebihan dapat menyebabkan pecahnya roda, yang sangat berbahaya.
- SELALU ganti roda jika mesin terjatuh saat menggerinda.
- DILARANG membanting atau memukulkan cakram atau roda gerinda pada benda kerja.
- Hindari melambungkan dan menyangkutkan roda, terutama saat mengerjakan bagian sudut, pinggiran tajam, dll. Hal ini dapat menyebabkan hilangnya kendali atas mesin dan tendang-balik.
- DILARANG memakai mesin dengan pisau pemotong kayu dan mata gergaji jenis lain. Mata roda gergaji tersebut saat digunakan pada gerinda seringkali menendang/mental dan menyebabkan hilangnya kendali lalu menimbulkan cedera badan.

⚠ PERHATIAN:

- Jangan sekali-kali menghidupkan mesin saat mesin menyentuh benda kerja, karena hal tersebut dapat menyebabkan cedera pada pengguna.
- Selalu kenakanacamata pengaman atau pelindung muka saat mengoperasikan mesin.
- Setelah pemakaian, selalu matikan mesin dan tunggu hingga roda berhenti total sebelum meletakkan mesin.

Pekerjaan pengerindaan (Gb. 7)

SELALU pegang mesin kuat-kuat dengan satu tangan pada gagang belakang dan tangan lainnya pada gagang samping. Hidupkan mesin dan tempelkan roda atau cakram pada benda kerja.

Secara umum, pertahankan tepian roda atau cakram pada sudut sekitar 15 derajat terhadap permukaan benda kerja.

Selama masa inreyn roda baru, jangan memakai gerinda ke arah B atau roda akan mengiris masuk ke dalam benda kerja. Begitu tepian roda menjadi tumpul karena dipakai, roda dapat digunakan untuk arah A dan B.

PERAWATAN

⚠ PERHATIAN:

- Selalu pastikan mesin sudah dimatikan dan stekernya dicabut sebelum melakukan pemeriksaan atau perawatan.
- Jangan sekali-kali menggunakan bensin, tiner, alkohol, atau bahan sejenisnya. Penggunaan bahan demikian dapat menyebabkan perubahan warna dan bentuk serta timbulnya retakan.

Mesin dan lubang ventilasi udaranya harus dijaga kebersihannya. Bersihkanlah lubang ventilasi udara mesin ini secara teratur atau kapan pun aliran udara mulai terhambat. (Gb. 8)

Mengganti borstel arang (Gb. 9)

Lepaskan dan periksa borstel arang secara teratur. Ganti bila borstel arang sudah aus mencapai garis batas. Jaga agar borstel arang tetap bersih dan masuk lancar ke

tempatny. Kedua borstel arang harus diganti secara bersamaan. Gunakan hanya borstel arang yang identik. Gunakan obeng untuk melepas tutup borstel arang. Lepaskan borstel arang yang sudah aus, masukkan borstel arang baru, dan kencangkan tutup borstel arang.

(Gb. 10)

Untuk menjaga KEAMANAN dan KEHANDALAN, perbaikan, perawatan atau penyetelan lain harus dilakukan oleh Pusat Servis Resmi Makita dan gunakan selalu suku cadang Makita.

TIẾNG VIỆT (Hướng dẫn Gốc)

Giải thích về hình vẽ tổng thể

- | | | |
|--------------------------|----------------------------------|--------------------------|
| 1. Khoá trục | 6. Hộp vòng bi | 11. Lỗ xả |
| 2. Nút khoá | 7. Đai ốc hãm | 12. Lỗ hút |
| 3. Bộ khởi động công tắc | 8. Đĩa mài lõm tâm/Đĩa nhiều lớp | 13. Vạch giới hạn |
| 4. Vành bảo vệ đĩa | 9. Vành trong | 14. Nắp giá đỡ chốt than |
| 5. Vít | 10. Chia vận đai ốc hãm | 15. Tua vít |

THÔNG SỐ KỸ THUẬT

Kiểu máy	M9002	M9003
Đường kính đĩa mài lõm tâm	125 mm	150 mm
Độ dày đĩa mài tối đa	6 mm	
Đường ren trục quay	M14 hoặc 5/8" (cụ thể theo quốc gia)	
Tốc độ định mức (n)/Tốc độ không tải (n ₀)	11.000 min ⁻¹	10.000 min ⁻¹
Tổng chiều dài	361 mm	361 mm
Trọng lượng tịnh	2,8 kg	2,8 kg
Cấp an toàn	II/II	

- Do chương trình nghiên cứu và phát triển liên tục của chúng tôi nên các thông số kỹ thuật dưới đây có thể thay đổi mà không cần thông báo.
- Các thông số kỹ thuật ở mỗi quốc gia có thể khác nhau.
- Trọng lượng theo quy định EPTA-Procedure 01/2003

Ký hiệu ENE207-8

Phần dưới đây cho biết các ký hiệu được dùng cho thiết bị. Đảm bảo rằng bạn hiểu ý nghĩa của các ký hiệu này trước khi sử dụng.



..... Đọc tài liệu hướng dẫn.



..... CÁCH ĐIỆN KÉP



..... Đeo kính an toàn.

Mục đích sử dụng ENE077-2

Dụng cụ này được sử dụng để mài các vật liệu kim loại và đá mà không sử dụng nước.

Nguồn cấp điện ENF002-2

Dụng cụ này chỉ được nối với nguồn cấp điện có điện áp giống như đã chỉ ra trên biển tên và chỉ có thể được vận hành trên nguồn cung cấp AC một pha. Thiết bị được cách điện kép và do đó cũng có thể được sử dụng từ các ổ cắm mà không cần dây tiếp đất.

Cảnh báo An toàn Chung dành cho Dụng cụ Máy GEA005-3

⚠ CẢNH BÁO Đọc tất cả cảnh báo an toàn và hướng dẫn. Việc không tuân theo các cảnh báo và hướng dẫn có thể dẫn đến điện giật, hỏa hoạn và/hoặc thương tích nghiêm trọng.

Lưu giữ tất cả cảnh báo và hướng dẫn để tham khảo sau này.

Thuật ngữ “dụng cụ máy” trong các cảnh báo để cập đến dụng cụ máy (có dây) được vận hành bằng điện hoặc dụng cụ máy (không dây) được vận hành bằng điện.

An toàn tại nơi làm việc

- Giữ nơi làm việc sạch sẽ và có đủ ánh sáng.** Nơi làm việc bừa bộn hoặc tối có thể dẫn đến tai nạn.
- Không vận hành dụng cụ máy trong môi trường cháy nổ, ví dụ như môi trường có sự hiện diện của các chất lỏng, khí hoặc bụi dễ cháy.** Các dụng cụ máy tạo ra tia lửa điện có thể làm bụi hoặc khí bốc cháy.
- Giữ trẻ em và người ngoài tránh xa nơi làm việc khi đang vận hành dụng cụ máy.** Sự sao lãng có thể khiến bạn mất khả năng kiểm soát.

An toàn về điện

- Phích cắm của dụng cụ máy phải khớp với ổ cắm. Không bao giờ được sửa đổi phích cắm theo bất kỳ cách nào. Không sử dụng bất kỳ phích điều hợp nào với các dụng cụ máy được nối đất (tiếp đất).** Các phích cắm còn nguyên vẹn và ổ cắm phù hợp sẽ giảm nguy cơ điện giật.
- Tránh để cơ thể tiếp xúc với các bề mặt nổi đất hoặc tiếp đất như đường ống, bộ tản nhiệt, bếp và tủ lạnh.** Nguy cơ bị điện giật sẽ tăng lên nếu cơ thể bạn được nối đất hoặc tiếp đất.
- Không để dụng cụ máy tiếp xúc với nước mưa hoặc trong điều kiện ẩm ướt.** Nước chảy vào dụng cụ máy sẽ làm tăng nguy cơ điện giật.
- Không sử dụng dây sai cách. Không bao giờ sử dụng dây để mang, kéo hoặc tháo phích cắm dụng cụ máy. Giữ dây tránh xa nguồn nhiệt, dầu, các mếp sắc hoặc các bộ phận chuyển động.** Dây bị hỏng hoặc bị rơi sẽ làm tăng nguy cơ điện giật.

8. **Khi vận hành dụng cụ máy ngoài trời, hãy sử dụng dây kéo dài phù hợp cho việc sử dụng ngoài trời.** Việc dùng dây phù hợp cho việc sử dụng ngoài trời sẽ giảm nguy cơ điện giật.
9. **Nếu bắt buộc phải vận hành dụng cụ máy ở nơi ẩm ướt, hãy sử dụng nguồn cấp điện được bảo vệ bằng thiết bị dòng điện dư (RCD).** Sử dụng RCD sẽ giảm nguy cơ điện giật.
10. **Chúng tôi luôn khuyến bạn sử dụng nguồn cấp điện qua RCD có dòng điện dư định mức 30 mA hoặc thấp hơn.**

An toàn cá nhân

11. **Luôn tỉnh táo, quan sát những việc bạn đang làm và sử dụng những phán đoán theo kinh nghiệm khi vận hành dụng cụ máy. Không sử dụng dụng cụ máy khi bạn đang mệt mỏi hoặc chịu ảnh hưởng của ma túy, chất cồn hay thuốc.** Chỉ một khoảnh khắc không tập trung khi đang vận hành dụng cụ máy cũng có thể dẫn đến thương tích cá nhân nghiêm trọng.
12. **Sử dụng thiết bị bảo hộ cá nhân. Luôn đeo thiết bị bảo vệ mắt.** Các thiết bị bảo hộ như mặt nạ chống bụi, giày an toàn không trượt, mũ bảo hộ hay thiết bị bảo vệ thính giác được sử dụng trong các điều kiện thích hợp sẽ giúp giảm thương tích cá nhân.
13. **Tránh khởi động vô tình dụng cụ máy. Đảm bảo công tắc ở vị trí off (tắt) trước khi nối nguồn điện và/hoặc bộ pin, cắm hoặc mang dụng cụ máy.** Việc mang dụng cụ máy khi đang đặt ngón tay ở vị trí công tắc hoặc cấp điện cho dụng cụ máy khi công tắc đang ở vị trí bật có thể dẫn đến tai nạn.
14. **Tháo mọi khoá hoặc chia vận điều chỉnh trước khi bật dụng cụ máy.** Việc chia vận hoặc khoá vẫn còn gắn vào bộ phận quay của dụng cụ máy có thể dẫn đến thương tích cá nhân.
15. **Không với cao. Luôn giữ thăng bằng tốt và có chỗ để chân phù hợp.** Điều này cho phép kiểm soát dụng cụ máy tốt hơn trong những tình huống bất ngờ.
16. **Ăn mặc phù hợp. Không mặc quần áo rộng hay đeo đồ trang sức. Giữ tóc, quần áo và găng tay tránh xa các bộ phận chuyển động.** Quần áo rộng, đồ trang sức hay tóc dài có thể mắc vào các bộ phận chuyển động.
17. **Nếu thiết bị này được cung cấp kèm theo các bộ phận để nối thiết bị hút và gom bụi, hãy đảm bảo chúng được kết nối và sử dụng hợp lý.** Sử dụng thiết bị gom bụi có thể làm giảm những mối nguy hiểm liên quan đến bụi.

Sử dụng và bảo quản dụng cụ máy

18. **Không ép buộc dụng cụ máy. Sử dụng đúng dụng cụ máy cho công việc của bạn.** Sử dụng đúng dụng cụ máy sẽ giúp thực hiện công việc tốt hơn và an toàn hơn theo giá trị định mức được thiết kế của dụng cụ máy đó.
19. **Không sử dụng dụng cụ máy nếu công tắc không bật và tắt được dụng cụ máy đó.** Mọi dụng cụ máy không thể điều khiển được bằng công tắc đều rất nguy hiểm và cần được sửa chữa.
20. **Rút phích cắm ra khỏi nguồn điện và/hoặc tháo bộ pin khỏi dụng cụ máy trước khi thực hiện bất kỳ công việc điều chỉnh, thay đổi phụ tùng hay**

cắt giữ dụng cụ máy nào. Những biện pháp an toàn phòng ngừa này sẽ giảm nguy cơ khởi động vô tình dụng cụ máy.

21. **Cắt giữ các dụng cụ máy không sử dụng ngoài tầm với của trẻ em và không cho bất kỳ người nào không có hiểu biết về dụng cụ máy hoặc các hướng dẫn này vận hành dụng cụ máy.** Dụng cụ máy sẽ rất nguy hiểm nếu được sử dụng bởi những người dùng chưa qua đào tạo.
 22. **Bảo dưỡng dụng cụ máy. Kiểm tra tình trạng lệch trục hoặc bó kẹt của các bộ phận chuyển động, hiện tượng nứt vỡ của các bộ phận và mọi tình trạng khác mà có thể ảnh hưởng đến hoạt động của dụng cụ máy. Nếu có hỏng hóc, hãy sửa chữa dụng cụ máy trước khi sử dụng.** Nhiều tai nạn xảy ra là do không bảo dưỡng tốt dụng cụ máy.
 23. **Luôn giữ cho dụng cụ cắt được sắc và sạch.** Những dụng cụ cắt được bảo dưỡng đúng cách có mức cắt sắc sẽ ít bị kẹt hơn và dễ điều khiển hơn.
 24. **Sử dụng dụng cụ máy, phụ tùng và đầu dụng cụ cắt, v.v... theo các hướng dẫn này, có tính đến điều kiện làm việc và công việc được thực hiện.** Việc sử dụng dụng cụ máy cho các công việc khác với công việc dự định có thể gây nguy hiểm.
- Bảo dưỡng**
25. **Đề nghị viên sửa chữa đủ trình độ bảo dưỡng dụng cụ máy của bạn và chỉ sử dụng các bộ phận thay thế đồng nhất.** Việc này sẽ đảm bảo duy trì được độ an toàn của dụng cụ máy.
 26. **Tuân theo hướng dẫn dành cho việc bôi trơn và thay phụ tùng.**
 27. **Giữ tay cầm khô, sạch, không dính dầu và mỡ.**

CẢNH BÁO AN TOÀN CHO MÁY MÀI

GEB110-3

Các cảnh báo an toàn phổ biến cho thao tác mài:

1. **Dụng cụ máy này được sử dụng như một máy mài. Đọc tất cả các cảnh báo an toàn, hướng dẫn, minh họa và thông số kỹ thuật được cung cấp cùng với dụng cụ máy này.** Việc không tuân theo tất cả các hướng dẫn được liệt kê dưới đây có thể dẫn đến điện giật, hoả hoạn và/hoặc thương tích nghiêm trọng.
2. **Không dùng dụng cụ máy này để thực hiện các công việc như đánh bóng, mài bằng chổi mài, mài bóng hoặc cắt.** Sử dụng dụng cụ máy này cho các hoạt động không theo thiết kế có thể gây nguy hiểm và dẫn đến thương tích cá nhân.
3. **Không sử dụng các phụ tùng không được thiết kế riêng và không được nhà sản xuất dụng cụ khuyến dùng.** Đó là vì phụ tùng có thể được lắp vào dụng cụ máy của bạn nhưng lại không đảm bảo vận hành an toàn.
4. **Tốc độ định mức của phụ tùng phải bằng hoặc lớn hơn tốc độ tối đa được ghi trên dụng cụ máy.** Phụ tùng hoạt động nhanh hơn tốc độ định mức có thể bị vỡ và văng ra.
5. **Đường kính ngoài và độ dày của phụ tùng phải nằm trong định mức công suất của dụng cụ máy.** Phụ tùng có kích thước không đúng có thể không được bảo vệ hoặc điều khiển phù hợp.

6. **Lắp đặt phụ tùng có ren phải khớp với đường ren trục xoay của máy mài. Đối với các phụ tùng được lắp đặt bằng vành, lỗ tâm của phụ tùng phải khớp với đường kính định vị của vành.** Những phụ tùng không khớp với phần cứng lắp đặt của dụng cụ máy sẽ mất cân bằng, rung quá mức và có thể gây ra mất kiểm soát.
7. **Không sử dụng phụ tùng đã hỏng. Trước mỗi lần sử dụng, kiểm tra phụ tùng như đĩa mài có phoi bám hoặc vết nứt không, kiểm tra tấm đỡ xem có vết nứt, rách hoặc ăn mòn quá mức không. Nếu dụng cụ máy hoặc phụ tùng bị rơi, hãy kiểm tra xem có bị hỏng không hoặc lắp phụ tùng còn nguyên. Sau khi kiểm tra và lắp phụ tùng, bạn và những người ngoài nên tránh xa mặt phẳng quay của phụ tùng và chạy dụng cụ máy ở tốc độ không tải tối đa trong vòng một phút.** Phụ tùng bị hỏng thường bị vỡ trong thời gian chạy thử này.
8. **Đeo thiết bị bảo hộ cá nhân. Tùy vào công việc, hãy sử dụng mặt nạ, kính bảo hộ hoặc kính an toàn. Khi cần, hãy đeo mặt nạ chống bụi, thiết bị bảo vệ tai, găng tay và tấm chắn bảo vệ có khả năng ngăn các mảnh vụn phoi hoặc bột mài nhỏ.** Thiết bị bảo vệ mắt phải có khả năng ngăn mảnh vụn bay do các hoạt động khác nhau tạo ra. Mặt nạ chống bụi hoặc mặt nạ phòng độc phải có khả năng lọc các hạt do hoạt động tạo ra. Tiếp xúc lâu với tiếng ồn cường độ cao có thể gây ra mất khả năng nghe.
9. **Giữ những người ngoài tránh xa khu vực làm việc ở khoảng an toàn. Bất kỳ ai vào khu vực làm việc đều phải đeo thiết bị bảo vệ cá nhân.** Mảnh vụn phoi hoặc phụ tùng bị vỡ có thể bay xa và gây thương tích bên ngoài khu vực vận hành.
10. **Chỉ cắm dụng cụ máy ở phần tay nắm được cách định khi thực hiện công việc mà phụ tùng cắt có thể tiếp xúc với dây điện ngầm hoặc dây của chính dụng cụ.** Phụ tùng cắt tiếp xúc với dây dẫn "có điện" có thể làm các bộ phận kim loại trần của dụng cụ điện "tiếp điện" và có thể làm người vận hành bị điện giật.
11. **Đặt dây cách xa phụ tùng đang quay.** Nếu bạn mất khả năng kiểm soát, dây có thể bị cắt hoặc bị vướng vào và bàn tay và cánh tay bạn có thể bị kéo vào phụ tùng đang quay.
12. **Không đặt dụng cụ máy xuống đến khi phụ tùng đã dừng hoàn toàn.** Phụ tùng đang quay có thể găm vào bề mặt và kéo dụng cụ máy ra khỏi tầm điều khiển của bạn.
13. **Không chạy dụng cụ máy khi bạn đang cầm ở một phía.** Tiếp xúc bất ngờ với phụ tùng đang quay có thể vướng vào quần áo, làm phụ tùng va vào người bạn.
14. **Thường xuyên làm sạch lỗ thông gió của dụng cụ máy.** Quạt của mô tơ sẽ hút bụi vào bên trong vỏ máy và việc tích tụ quá nhiều kim loại dạng bột có thể gây ra các nguy cơ về điện.
15. **Không vận hành dụng cụ máy gần các vật liệu dễ cháy.** Tia lửa điện có thể làm cháy những vật liệu này.
16. **Không sử dụng phụ tùng cần chất làm mát dạng lỏng.** Sử dụng nước hoặc các chất làm mát dạng lỏng khác có thể gây ra điện giật.

Lực đẩy ngược và cảnh báo liên quan

Lực đẩy ngược là phản ứng bất ngờ khi đĩa mài, tấm đỡ, chổi đang quay hoặc bất kỳ phụ tùng nào khác bị kẹt hoặc bị vướng. Việc kẹt hoặc vướng có thể gây ra ngừng nhanh phụ tùng đang quay, việc này sẽ làm cho dụng cụ máy mất kiểm soát bị ép vào hướng ngược với hướng quay của phụ tùng tại điểm bị kẹt. Ví dụ: nếu đĩa mài bị vướng hoặc kẹt vào phôi, cạnh của đĩa mài đang ở chỗ kẹt có thể cắm vào bề mặt vật liệu làm cho đĩa mài nảy ra hoặc văng ra. Đĩa mài có thể nảy ra xa hoặc về phía người vận hành, tùy vào hướng chuyển động của đĩa mài tại điểm bị kẹt. Đĩa mài cũng có thể bị vỡ trong những điều kiện này. Lực đẩy ngược là do sử dụng sai dụng cụ máy và/hoặc quy trình hoặc điều kiện vận hành không chính xác và có thể tránh được bằng cách thực hiện các biện pháp phòng ngừa thích hợp như dưới đây.

- a) **Cắm chắc dụng cụ máy và định vị cơ thể và cánh tay để cản lại lực đẩy ngược. Luôn sử dụng tay cầm phụ, nếu có, để kiểm soát tối đa lực đẩy ngược hoặc phản lực mô men xoắn trong khi khởi động.** Người vận hành có thể kiểm soát phản lực mô men xoắn hoặc lực đẩy ngược, nếu thực hiện các biện pháp phòng ngừa thích hợp.
- b) **Không đặt tay gần phụ tùng đang quay.** Phụ tùng có thể bật ngược lại vào tay bạn.
- c) **Không đứng trong khu vực mà dụng cụ máy sẽ chuyển động nếu xảy ra lực đẩy ngược.** Lực đẩy ngược sẽ đẩy dụng cụ theo hướng ngược với chuyển động của đĩa mài tại điểm bị kẹt.
- d) **Đặc biệt chú ý khi làm việc với các góc, cạnh sắc, v.v... Tránh làm nảy và kẹt phụ tùng.** Các góc, cạnh sắc hoặc vẩy bị nảy lên có xu hướng làm kẹt phụ tùng đang quay và gây ra mất kiểm soát hoặc lực đẩy ngược.
- e) **Không lắp lưỡi của xích, dao khắc gỗ hoặc lưỡi của có răng.** Những lưỡi này tạo ra lực đẩy ngược thường xuyên và mất khả năng kiểm soát.

Cảnh báo an toàn có thể cho thao tác mài:

- a) **Chỉ sử dụng loại đĩa được khuyến nghị cho dụng cụ máy và vành bảo vệ riêng được thiết kế cho đĩa đã chọn.** Đĩa không được thiết kế cho dụng cụ máy này không được bảo vệ phù hợp và không an toàn.
- b) **Bề mặt mài của đĩa mài lõm tâm phải được lắp đặt bên dưới mặt phẳng của nắp bảo vệ.** Đĩa mài được lắp đặt không đúng cách nhô ra mặt phẳng của nắp bảo vệ không thể được bảo vệ phù hợp.
- c) **Vành bảo vệ phải được lắp chặt vào dụng cụ máy và đúng vị trí để có độ an toàn tối đa, sao cho phần đĩa hướng vào người vận hành là nhỏ nhất.** Thiết bị bảo vệ giúp bảo vệ người vận hành khỏi các mảnh vụn đĩa mài bị vỡ, tiếp xúc bất ngờ với đĩa mài và tia lửa điện có thể làm cháy quần áo.
- d) **Chỉ sử dụng đĩa mài cho các công việc được khuyến nghị.** Ví dụ: không mài bằng cạnh của đĩa cắt. Đĩa cắt được sử dụng cho mục đích mài ở ngoài cùng, các lực bên cạnh tác dụng vào những đĩa này có thể làm cho đĩa bị vỡ.
- e) **Luôn sử dụng vành đĩa mài chưa bị hỏng đúng kích thước và hình dạng cho đĩa đã chọn**

của bạn. Vành đĩa phù hợp sẽ hỗ trợ cho đĩa cắt, do đó giúp giảm nguy cơ vỡ đĩa cắt. Vành cho đĩa cắt có thể khác với vành đĩa mài.

f) **Không sử dụng đĩa mài đã mòn của các dụng cụ máy lớn hơn.** Đĩa mài dùng cho dụng cụ máy lớn hơn không thích hợp cho tốc độ cao hơn của dụng cụ nhỏ hơn và có thể bị vỡ.

Cảnh báo an toàn bổ sung:

17. **Khi sử dụng đĩa mài lõm tâm, đảm bảo chỉ sử dụng đĩa mài sợi thủy tinh cường độ cao.**
18. **KHÔNG BAO GIỜ ĐƯỢC SỬ DỤNG bánh mài loại cốc đá mài cho máy mài này.** Máy mài này không được thiết kế để sử dụng những loại bánh mài này và nếu sử dụng sản phẩm kiểu này thì có thể dẫn đến thương tích cá nhân nghiêm trọng.
19. **Cẩn thận để không làm hỏng trục quay, vành (đặc biệt là bề mặt lắp ráp) hoặc đai ốc hãm. Làm hỏng những bộ phận này có thể dẫn đến vỡ đĩa mài.**
20. **Đảm bảo rằng đĩa mài không tiếp xúc với phôi gia công trước khi bật công tắc.**
21. **Trước khi sử dụng dụng cụ này trên phôi gia công thực tế, hãy để dụng cụ chạy trong ít phút. Theo dõi sự rung hoặc lắc có thể cho thấy lắp ráp kém hoặc đĩa mài mất cân bằng.**
22. **Sử dụng bề mặt đĩa mài được chỉ định để mài.**
23. **Không để mặc dụng cụ hoạt động. Chỉ vận hành dụng cụ khi cầm trên tay.**
24. **Không chạm vào phôi gia công ngay sau khi gia công; nó có thể rất nóng và có thể gây bỏng da.**
25. **Tuân thủ các hướng dẫn của nhà sản xuất để lắp và sử dụng đĩa mài đúng cách. Sử dụng và cất giữ đĩa mài cẩn thận.**
26. **Không sử dụng bìa lót hoặc đệm tiếp hợp rời để lắp các đĩa mài có kích thước lớn.**
27. **Chỉ sử dụng các vành được chỉ định cho dụng cụ này.**
28. **Đối với các dụng cụ sẽ được lắp đĩa mài có lỗ ren, hãy đảm bảo rằng đường ren trong đĩa mài đủ dài để thích ứng với độ dài của trục quay.**
29. **Kiểm tra để chắc chắn rằng phôi gia công được gá đỡ đúng cách.**
30. **Lưu ý rằng đĩa mài sẽ tiếp tục quay sau khi tắt dụng cụ.**
31. **Nếu nơi làm việc rất nóng và ẩm hay bị nhiễm bẩn nặng với bụi dẫn điện, hãy sử dụng cầu dao ngắt mạch (30 mA) để đảm bảo an toàn cho người vận hành.**
32. **Không sử dụng dụng cụ này trên bất kỳ loại vật liệu nào có chứa amiang.**
33. **Không sử dụng găng tay lao động bằng vải trong khi vận hành. Sợi từ găng tay bằng vải có thể rơi vào bên trong và làm hỏng dụng cụ.**

LƯU GIỮ CÁC HƯỚNG DẪN NÀY.

⚠ CẢNH BÁO:

KHÔNG được để sự thoải mái hay quen thuộc với sản phẩm (có được do sử dụng nhiều lần) thay thế việc tuân thủ nghiêm ngặt các quy định về an toàn dành cho sản phẩm này. **VIỆC DÙNG SAI** hoặc không tuân theo các quy định về an toàn được nêu trong tài liệu hướng dẫn này có thể dẫn đến thương tích cá nhân nghiêm trọng.

MÔ TẢ CHỨC NĂNG

⚠ THẬN TRỌNG:

- Luôn chắc chắn đã tắt và tháo phích cắm dụng cụ trước khi điều chỉnh hoặc kiểm tra chức năng trên dụng cụ.

Khoá trục

⚠ THẬN TRỌNG:

- Không được vận hành khoá trục khi trục quay đang chuyển động. Dụng cụ có thể bị hỏng.
- Ấn khoá trục để ngăn chuyển động quay của trục quay khi lắp hoặc tháo phụ tùng. (Hình 1)

Thao tác với công tắc

⚠ THẬN TRỌNG:

- Trước khi cắm điện cho dụng cụ, luôn kiểm tra để thấy rằng bộ khởi động công tắc khởi động đúng và trở về vị trí "OFF" (TẮT) khi nhả ra. (Hình 2)

Đổi với dụng cụ không có nút khoá

Để khởi động dụng cụ, chỉ cần kéo bộ khởi động công tắc. Nhả bộ khởi động công tắc để dừng.

Đổi với dụng cụ có nút khoá

⚠ THẬN TRỌNG:

- Có thể khoá công tắc ở vị trí "ON" (BẬT) để thuận tiện cho người vận hành khi sử dụng trong thời gian dài. Hãy thận trọng khi khoá dụng cụ ở vị trí "ON" (BẬT) và luôn cầm chắc dụng cụ.

Để khởi động dụng cụ, chỉ cần kéo bộ khởi động công tắc. Nhả bộ khởi động công tắc để dừng.

Để vận hành liên tục, hãy kéo bộ khởi động công tắc rồi ấn nút khoá vào.

Để dừng dụng cụ ở vị trí khoá, hãy kéo bộ khởi động công tắc hết cỡ rồi nhả ra.

QUÁ TRÌNH LẮP RÁP

⚠ THẬN TRỌNG:

- Luôn chắc chắn đã tắt và tháo phích cắm dụng cụ trước khi tiến hành bất kỳ công việc nào trên dụng cụ.

Lắp tay nắm bên (tay cầm)

⚠ THẬN TRỌNG:

- Luôn đảm bảo rằng tay nắm bên được lắp chắc chắn trước khi vận hành.

Vận chặt tay nắm bên vào đúng vị trí của dụng cụ như minh hoạ trên hình vẽ. (Hình 3)

Tháo hoặc lắp vành bảo vệ đĩa (Đối với đĩa lõm tâm/Đĩa nhiều lớp)

⚠ THẬN TRỌNG:

- Khi sử dụng đĩa lõm tâm/đĩa nhiều lớp, phải lắp vành bảo vệ đĩa vào dụng cụ sao cho phía kín của vành bảo vệ luôn hướng về phía người vận hành.
- Lắp vành bảo vệ đĩa sao cho phần lồi ra trên vành bảo vệ đĩa thẳng hàng với dấu vạch trên hộp vòng bi. Sau đó xoay vành bảo vệ đĩa đến một góc mà nó có thể bảo vệ người vận hành tùy theo công việc. Đảm bảo siết chặt vít. (Hình 4)

Để tháo vành bảo vệ đĩa, hãy làm ngược lại quy trình lắp.

Lắp hoặc tháo đĩa mài lõm tâm/Đĩa nhiều lớp (phụ tùng tùy chọn)

⚠ CẢNH BÁO:

- Luôn sử dụng vành bảo vệ kèm theo khi lắp đĩa mài lõm tâm/đĩa nhiều lớp trên dụng cụ. Đĩa có thể bị vỡ trong quá trình sử dụng và vành bảo vệ sẽ giúp giảm nguy cơ gây thương tích cho người.

Lắp vành trong lên trục quay. Lắp đĩa lên vành trong và siết đai ốc hãm vào trục quay. **(Hình 5)**

Để siết chặt đai ốc hãm, ấn chắc khoá trục sao cho trục quay không thể quay được, rồi sử dụng chìa vặn đai ốc hãm để siết chặt theo chiều kim đồng hồ.

(Hình 6)

Để tháo đĩa, hãy làm ngược lại quy trình lắp.

VẬN HÀNH

⚠ CẢNH BÁO:

- Không cần phải dùng lực quá mức trên dụng cụ. Trọng lượng của dụng cụ sẽ tạo ra áp lực vừa đủ. Dùng lực quá mức và áp lực quá lớn có thể khiến đĩa bị nứt vỡ nguy hiểm.
- LUÔN thay thế đĩa nếu dụng cụ bị rơi trong khi đang mài.
- KHÔNG gõ hay đập đĩa mài khi làm việc.
- Tránh làm cho đĩa bị nảy hoặc bật, nhất là khi làm việc với các góc, cạnh sắc, v.v.. Làm như vậy có thể khiến bị mất kiểm soát và dụng cụ sẽ bật ngược lại.
- KHÔNG sử dụng dụng cụ với lưỡi cưa gỗ và các lưỡi cưa khác. Khi sử dụng những lưỡi này trên máy mài thường tạo ra va đập và gây mất kiểm soát dẫn đến thương tích cho người.

⚠ THẬN TRỌNG:

- Không bật dụng cụ khi nó đang tiếp xúc với phiêi gia công, vì có thể gây ra thương tích cho người vận hành.
- Luôn đeo kính bảo hộ hoặc mặt nạ trong khi vận hành.
- Sau khi vận hành, luôn tắt dụng cụ và đợi cho tới khi đĩa dừng hẳn trước khi đặt dụng cụ xuống.

Thao tác mài (Hình 7)

LUÔN cầm chắc dụng cụ với một tay trên tay cầm phía sau và tay còn lại trên tay cầm bên. Bật dụng cụ và đặt đĩa lên phiêi gia công.

Nói chung, hãy giữ cạnh đĩa ở góc khoảng 15 độ so với bề mặt phiêi gia công.

Trong giai đoạn làm quen với đĩa mới, không vận hành máy mài theo chiều B nếu không nó sẽ cắt vào phiêi gia công. Khi cạnh đĩa đã tròn trong quá trình sử dụng, có thể vận hành đĩa theo cả hai chiều A và B.

BẢO DƯỠNG

⚠ THẬN TRỌNG:

- Luôn đảm bảo tắt dụng cụ và rút phích cắm trước khi cố gắng thực hiện kiểm tra hoặc bảo dưỡng.
- Không bao giờ dùng xăng, ét xăng, dung môi, cồn hoặc hóa chất tương tự. Có thể xảy ra hiện tượng mất màu, biến dạng hoặc nứt vỡ.

Phải giữ sạch dụng cụ và các lỗ thông gió. Thường xuyên làm sạch các lỗ thông gió của dụng cụ hoặc bất cứ khi nào lỗ thông gió bị tắc. **(Hình 8)**

Thay chổi than (Hình 9)

Tháo và kiểm tra chổi than thường xuyên. Thay chổi than khi chúng bị mòn dưới vạch giới hạn. Giữ chổi than sạch và tự do trượt vào các giá đỡ. Cả hai chổi than nên được thay cùng một lúc. Chỉ sử dụng các chổi than giống nhau.

Sử dụng tua vít để tháo nắp giá đỡ chổi than. Tháo chổi than đã mòn ra, lắp chổi than mới và cố định nắp giá đỡ chổi than. **(Hình 10)**

Để duy trì ĐỘ AN TOÀN và ĐỘ TIN CẬY của sản phẩm, việc sửa chữa, bảo dưỡng hoặc bất kỳ điều chỉnh nào khác đều phải do Trung tâm Bảo trì Được ủy quyền của Makita thực hiện, luôn sử dụng các bộ phận thay thế của Makita.

คำอธิบายเกี่ยวกับมุมมองทั่วไป

- | | | |
|-----------------|---------------------------|-------------------------|
| 1. ตัวล็อกเพลลา | 6. กลองตลับลูกปืน | 11. ช่องระบายอากาศ |
| 2. ปุ่มล็อก | 7. น็อตล็อก | 12. ช่องอากาศเข้า |
| 3. ไทลด์วิช | 8. ไขควงศูนย์จุม/จานประกบ | 13. เครื่องหมายขีดจำกัด |
| 4. ฝาครอบใบเจีย | 9. หน้าแปลนด้านใน | 14. ฝาปิดช่องใส่แปรง |
| 5. สกรู | 10. ประแจน็อตล็อก | 15. ไขควง |

ข้อมูลทางเทคนิค

รุ่น	M9002	M9003
เส้นผ่านศูนย์กลางของใบเจียศูนย์จุม	125 มม.	150 มม.
ความหนาสูงสุดของใบเจีย	6 มม.	
เกลียวจับ	M14 หรือ 5/8" (ตามข้อกำหนดของแต่ละประเทศ)	
อัตราความเร็ว (n)/ความเร็วขณะเดินเครื่องเปล่า (n ₀)	11,000 นาที ⁻¹	10,000 นาที ⁻¹
ความยาวทั้งหมด	361 มม.	361 มม.
น้ำหนักสุทธิ	2.8 กก.	2.8 กก.
ระดับความปลอดภัย	□/II	

- เนื่องจากกาการวิจัยและการพัฒนาของเราเป็นแผนงานต่อเนื่อง ดังนั้นข้อมูลเทคนิคที่ระบุในเอกสารนี้อาจมีการเปลี่ยนแปลงโดยไม่ต้องแจ้งให้ทราบล่วงหน้า
- ข้อมูลเทคนิคอาจแตกต่างกันในแต่ละประเทศ
- น้ำหนักตามข้อบังคับของ EPTA 01/2003

สัญลักษณ์

END202-8

ต่อไปนี้เป็นสัญลักษณ์ที่ใช้สำหรับอุปกรณ์ โปรดศึกษาความหมายของสัญลักษณ์ให้เข้าใจก่อนการใช้งาน



..... อ่านคู่มือการใช้งาน



..... ฉนวนหุ้มสองชั้น



..... สวมแว่นตานิรภัย

วัตถุประสงค์การใช้งาน

ENE077-2

เครื่องมือนี้ผลิตขึ้นเพื่อใช้สำหรับเจียโลหะและหินก่อสร้างต่างๆ โดยไม่ต้องใช้น้ำ

การจ่ายไฟ

ENF002-2

ต้องเชื่อมต่อเครื่องมือกับเครื่องจ่ายไฟที่มีแรงเคลื่อนไฟฟ้าตามที่ระบุไว้ในป้ายข้อมูลเครื่องจักร และจะต้องใช้ไฟฟ้ากระแสสลับแบบเฟสเดียวเท่านั้น เครื่องนี้มีฉนวนหุ้มสองชั้นดังนั้นจึงสามารถใช้เสียบเข้ากับไฟฟ้าที่ไม่มีสายดินได้

คำเตือนด้านความปลอดภัยสำหรับเครื่องมือไฟฟ้าทั่วไป

GEA005-3

⚠ คำเตือน

อ่านคำเตือนด้านความปลอดภัยและคำแนะนำทั้งหมด

การไม่ปฏิบัติตามคำเตือนและคำแนะนำดังกล่าวอาจส่งผลให้เกิดไฟฟ้าช็อต ไฟไหม้ และ/หรือได้รับบาดเจ็บอย่างร้ายแรง

เก็บรักษาคำเตือนและคำแนะนำทั้งหมดไว้เป็นข้อมูลอ้างอิงในอนาคต

คำว่า "เครื่องมือไฟฟ้า" ในคำเตือนนี้ หมายถึง เครื่องมือไฟฟ้า (มีสาย) ที่ทำงานโดยใช้กระแสไฟฟ้า หรือเครื่องมือไฟฟ้า (ไร้สาย) ที่ทำงานโดยใช้แบตเตอรี่

ความปลอดภัยของพื้นที่ทำงาน

- ดูแลพื้นที่ทำงานให้มีความสะอาดและมีแสงไฟสว่าง พื้นที่ที่กระเบื้องกระเบื้องหรือมีดที่อาจนำไปสู่การเกิดอุบัติเหตุได้
- อย่าใช้งานเครื่องมือไฟฟ้าในสภาพที่อาจเกิดการระเบิด เช่น ในสถานที่ที่มีของเหลว ก๊าซ หรือฝุ่นผงที่มีคุณสมบัติไวไฟ เครื่องมือไฟฟ้าจะสร้างประกายไฟเพื่อจุดชนวนฝุ่นผงหรือก๊าซดังกล่าว

3. ดูแลไม่ให้มีเด็ก ๆ หรือบุคคลอื่นอยู่ในบริเวณที่กำลังใช้เครื่องมือไฟฟ้า การมีสิ่งรบกวนสมาธิอาจทำให้คุณสูญเสียการควบคุม

ความปลอดภัยด้านไฟฟ้า

4. ปลั๊กของเครื่องมือไฟฟ้าต้องพอดีกับเต้ารับ อย่าตัดแปลงปลั๊กไม่ว่ากรณีใด ๆ อย่าใช้ปลั๊กอะแดปเตอร์กับเครื่องมือไฟฟ้าที่ต่อสายดิน (กราวด์) ปลั๊กที่ไม่ถูกต้องและเต้ารับไฟฟ้าที่เข้ากันพอดีจะช่วยลดความเสี่ยงของการเกิดไฟฟ้าช็อต
5. ระวังอย่าให้ร่างกายสัมผัสกับพื้นผิวที่ต่อสายดิน เช่น ท่อเครื่องทำความร้อน เครื่องใช้ไฟฟ้าในครัว และตู้เย็น มีความเสี่ยงที่จะเกิดไฟฟ้าช็อตสูงขึ้น หากร่างกายของคุณสัมผัสกับพื้น
6. อย่าให้เครื่องมือไฟฟ้าถูกน้ำหรืออยู่ในสภาพเปียกชื้น น้ำที่ไหลเข้าไปในเครื่องมือไฟฟ้าจะเพิ่มความเสี่ยงของการเกิดไฟฟ้าช็อต
7. อย่าใช้สายไฟอย่างที่ไม่เหมาะสม อย่าใช้สายไฟเพื่อยก ดึง หรือ ถอดปลั๊กเครื่องมือไฟฟ้า เก็บสายไฟให้ห่างจากความร้อน น้ำมัน ของมีคม หรือชิ้นส่วนที่เคลื่อนที่ สายที่ชำรุดหรือพันกันจะเพิ่มความเสี่ยงของการเกิดไฟฟ้าช็อต
8. ขณะที่ใช้งานเครื่องมือไฟฟ้านอกอาคาร ควรใช้สายต่อพ่วงที่เหมาะสมกับงานภายนอกอาคาร การใช้สายที่เหมาะสมกับงานภายนอกอาคารจะลดความเสี่ยงของการเกิดไฟฟ้าช็อต
9. หากต้องใช้งานเครื่องมือไฟฟ้าในสถานที่เปียกชื้น ให้ใช้อุปกรณ์ป้องกันกระแสไฟรั่ว (RCD) การใช้ RCD จะลดความเสี่ยงของการเกิดไฟฟ้าช็อต
10. ขอแนะนำให้ใช้แหล่งจ่ายไฟผ่าน RCD ที่มีกระแสไฟรั่วในอัตราไม่เกิน 30 mA เสมอ

ความปลอดภัยส่วนบุคคล

11. ให้ระมัดระวัง และสังเกตเสมอว่าคุณกำลังทำสิ่งใดอยู่ และใช้สามัญสำนึกในขณะที่ใช้งานเครื่องมือไฟฟ้า อย่าใช้งานเครื่องมือไฟฟ้าในขณะที่คุณกำลังเหนื่อย หรือในสภาพที่มีเมฆจากยาเสพติด เครื่องดื่มแอลกอฮอล์ หรือการเข้ายา ช่วงเวลาที่ขาดความระมัดระวังเมื่อกำลังใช้งานเครื่องมือไฟฟ้าอาจทำให้คุณได้รับบาดเจ็บอย่างรุนแรง
12. ใช้อุปกรณ์ป้องกันส่วนบุคคล สวมแว่นตาป้องกันเสมอ อุปกรณ์ป้องกัน เช่น หน้ากากกันฝุ่น รองเท้านิรภัยกันลื่น หมวกนิรภัย หรือเครื่องป้องกันการได้ยินที่ใช้ในสภาพที่เหมาะสมจะช่วยลดการบาดเจ็บ
13. ป้องกันไม่ให้เปิดใช้งานอย่างไม่มีตั้งใจ ตรวจสอบว่าสวิตช์อยู่ในตำแหน่งปิดก่อนเชื่อมต่อกับแหล่งจ่ายไฟ และ/หรือ ชุดแบตเตอรี่ หรือก่อนการยกหรือถือเครื่องมือ การถอดนิ้วมือบริเวณสวิตช์เพื่อถือเครื่องมือไฟฟ้า หรือการชาร์จไฟเครื่องมือไฟฟ้าในขณะที่เปิดสวิตช์อยู่อาจนำไปสู่การเกิดอุบัติเหตุ

14. นำกุญแจปรับแต่งหรือประแจออกก่อนที่จะเปิดเครื่องมือไฟฟ้า ประแจหรือคีย์ที่เสียบค้างอยู่ในชิ้นส่วนที่หมุนได้ของเครื่องมือไฟฟ้าอาจทำให้คุณได้รับบาดเจ็บ
15. อย่าทำงานในระยะเวลาที่ติดต่อกัน จัดทำภาระงานและการทรงตัวให้เหมาะสมตลอดเวลา เพราะจะทำให้ควบคุมเครื่องมือไฟฟ้าได้ดีขึ้นในสถานการณ์ที่ไม่คาดคิด
16. แต่งกายให้เหมาะสม อย่าสวมเครื่องแต่งกายที่หลวมเกินไป หรือสวมเครื่องประดับ ดูแลไม่ให้เส้นผม เสื้อผ้า และถุงมืออยู่ใกล้ชิ้นส่วนที่เคลื่อนที่ เสื้อผ้ารุ่มร่าม เครื่องประดับ หรือผมที่มีความยาวอาจเข้าไปติดในชิ้นส่วนที่เคลื่อนที่
17. หากมีการจัดอุปกรณ์สำหรับดูดและจับฝุ่นไว้ในสถานที่ ให้ตรวจสอบว่าได้เชื่อมต่อและใช้งานอุปกรณ์นั้นอย่างเหมาะสม การใช้เครื่องดูดและจับฝุ่นจะช่วยลดอันตรายที่เกิดจากฝุ่นผงได้

การให้และดูแลเครื่องมือไฟฟ้า

18. อย่าฝืนใช้เครื่องมือไฟฟ้า ใช้เครื่องมือไฟฟ้าที่เหมาะสมกับการใช้งานของคุณ เครื่องมือไฟฟ้าที่เหมาะสมจะทำให้ได้งานที่มีประสิทธิภาพและปลอดภัยกว่าตามขีดความสามารถของเครื่องที่ได้รับการออกแบบมา
19. อย่าใช้เครื่องมือไฟฟ้า หากสวิตช์ไม่สามารถเปิดปิดได้ เครื่องมือไฟฟ้าที่ใช้สวิตช์ควบคุมไม่ได้จัดเป็นอันตรายและต้องได้รับการซ่อมแซม
20. ถอดปลั๊กจากแหล่งจ่ายไฟ และ/หรือชุดแบตเตอรี่ออกจากเครื่องมือไฟฟ้าก่อนทำการปรับแต่ง เปลี่ยนอุปกรณ์เสริม หรือจัดเก็บเครื่องมือไฟฟ้า วิธีการป้องกันด้านความปลอดภัยดังกล่าวจะช่วยลดความเสี่ยงของการเปิดใช้งานเครื่องมือไฟฟ้าอย่างไม่มีตั้งใจ
21. จัดเก็บเครื่องมือไฟฟ้าที่ไม่ได้ใช้งานให้ห่างจากมือเด็ก และอย่าอนุญาตให้บุคคลที่ไม่คุ้นเคยกับเครื่องมือไฟฟ้า หรือคำแนะนำเหล่านี้ใช้งานเครื่องมือไฟฟ้า เครื่องมือไฟฟ้าจะเป็นอันตรายเมื่ออยู่ในมือของผู้ที่ไม่ได้รับการฝึกอบรม
22. การดูแลเครื่องมือไฟฟ้า ตรวจสอบการประกอบที่ไม่ถูกต้องหรือการเชื่อมต่อของชิ้นส่วนที่เคลื่อนที่ การแตกหักของชิ้นส่วน และสภาพอื่น ๆ ที่อาจส่งผลกระทบต่อการทำงานของเครื่องมือไฟฟ้า หากมีความเสียหาย ให้นำเครื่องมือไฟฟ้าไปซ่อมแซมก่อนการใช้งาน อุบัติเหตุจำนวนมากเกิดจากการดูแลรักษาเครื่องมือไฟฟ้าอย่างไม่ถูกต้อง
23. ลับความคมและทำความสะอาดเครื่องมือการตัดอยู่เสมอ เครื่องมือการตัดที่มีการดูแลอย่างถูกต้องและมีขอบการตัดคมมักจะมีปัญหาตื้อตึงน้อยและควบคุมได้ง่ายกว่า
24. ใช้เครื่องมือไฟฟ้า อุปกรณ์เสริม และวัสดุสิ้นเปลือง ฯลฯ ตามคำแนะนำดังกล่าว พิจารณาสภาพการทำงานและ

งานที่จะลงมือทำ การใช้เครื่องมือไฟฟ้าเพื่อทำงานอื่น นอกเหนือจากที่กำหนดไว้อาจทำให้เกิดอันตราย

การบริการ

25. นำเครื่องมือไฟฟ้าเข้ารับบริการจากช่างซ่อมที่ผ่านการรับรองโดยใช้อะไหล่แบบเดียวกันเท่านั้น เพราะจะทำให้การใช้เครื่องมือไฟฟ้ามีความปลอดภัย
26. ปฏิบัติตามคำแนะนำในการหล่อลื่นและการเปลี่ยนอุปกรณ์เสริม
27. ดูแลมือจับให้แห้ง สะอาด และไม่มีน้ำมันและจาระบีเปื้อน

คำเตือนด้านความปลอดภัยของเครื่องเจีย

GEB110-3

คำเตือนด้านความปลอดภัยทั่วไปสำหรับการเจีย:

1. เครื่องมือไฟฟ้านี้ผลิตขึ้นเพื่อใช้ทำงานเป็นเครื่องเจีย อ่านคำเตือนด้านความปลอดภัย คำแนะนำ ภาพประกอบ และข้อมูลทางเทคนิคทั้งหมดที่มีมาพร้อมกับเครื่องมือไฟฟ้านี้ การไม่ปฏิบัติตามคำแนะนำทั้งหมดที่แสดงอยู่ด้านล่างอาจส่งผลให้เกิดไฟฟ้าช็อต ไฟไหม้ และ/หรือได้รับบาดเจ็บอย่างร้ายแรง
2. ไม่แนะนำให้ใช้เครื่องมือไฟฟ้านี้สำหรับการทำงานบางอย่าง เช่น การขัดทราย การขัดด้วยแปรงลวด การขัดงา หรือการตัด การใช้งานเครื่องมือนี้นอกเหนือจากวัตถุประสงค์ที่ได้ออกแบบมาอาจก่อให้เกิดอันตรายและทำให้ได้รับบาดเจ็บ
3. อย่าใช้อุปกรณ์เสริมที่ไม่ได้ออกแบบมาโดยเฉพาะและผู้ผลิตเครื่องมือนี้ไม่แนะนำ แม้ว่าอุปกรณ์เสริมนี้จะสามารถประกอบเข้ากับเครื่องมือไฟฟ้าได้ แต่ก็ไม่ได้รับประกันว่าการใช้งานจะมีความปลอดภัย
4. อัตราความเร็วของอุปกรณ์เสริมต้องเท่ากับความเร็วสูงสุดที่ระบุไว้บนเครื่องมือไฟฟ้าเป็นอย่างน้อย อุปกรณ์เสริมที่ทำงานเร็วกว่าอัตราความเร็วสูงสุดของเครื่องอาจชำรุดแตกหักหรือกระเด็นออกมา
5. เส้นผ่านศูนย์กลางภายนอกและความหนาของอุปกรณ์เสริมต้องอยู่ภายในขนาดที่กำหนดของเครื่องมือไฟฟ้า เพราะจะไม่สามารถป้องกันหรือควบคุมอุปกรณ์เสริมที่มีขนาดไม่ถูกต้องได้อย่างเหมาะสม
6. ดัวยึดที่เป็นเกลียวของอุปกรณ์เสริมต้องพอดีกับเกลียวจับของเครื่องเจีย สำหรับอุปกรณ์เสริมที่ยึดโดยใช้หน้าแปลน รูของอุปกรณ์เสริมต้องพอดีกับเส้นผ่านศูนย์กลางของหน้าแปลนบังคับตำแหน่ง อุปกรณ์เสริมที่ไม่พอดีกับดัวยึดของเครื่องมือไฟฟ้าจะทำงานอย่างไม่สมดุล สั่นสะเทือนแรงเกินไป และอาจทำให้สูญเสียการควบคุมได้

7. อย่าใช้งานอุปกรณ์เสริมที่ชำรุดเสียหาย ก่อนการใช้งานในแต่ละครั้ง ให้ตรวจสอบอุปกรณ์เสริม เช่น ตรวจหารอยแหงงและรอยร้าวบนใบเจีย, ตรวจหารอยร้าว, การฉีกขาด หรือการสึกหรอที่มากเกินไปบนแผ่นรองเป็นต้น หากเครื่องมือไฟฟ้าหรืออุปกรณ์เสริมร่วนหล่นกับพื้น ให้ตรวจสอบความชำรุดเสียหาย หรือประกอบอุปกรณ์เสริมที่ไม่ได้รับความเสียหาย หลังจากตรวจสอบและประกอบอุปกรณ์เสริม คุณและบุคคลรอบข้างควรอยู่ห่างจากระยะของอุปกรณ์เสริมที่หมุนได้ จากนั้นให้เปิดเครื่องมือไฟฟ้าด้วยความเร็วสูงสุดขณะเดินเครื่องเปล่าประมาณหนึ่งนาที โดยปกติแล้ว อุปกรณ์เสริมที่ชำรุดเสียหายจะแตกหักออกมาในช่วงเวลาของการทดสอบนี้
8. สวมใส่อุปกรณ์ป้องกันส่วนบุคคล ใช้หน้ากากป้องกันหน้า แว่นครอบตาที่ฝุ่น/ลม หรือแว่นตานิรภัยตามลักษณะการใช้งาน ให้สวมหมวกกันน็อก เครื่องป้องกันการได้ยิน ถุงมือและชุดป้องกันที่สามารถป้องกันเศษชิ้นงานหรือเศษผงจากการขีดถูชิ้นเล็ก ๆ ตามความเหมาะสม อุปกรณ์ป้องกันตาต้องสามารถป้องกันเศษชิ้นงานที่ปลิวอยู่ในอากาศซึ่งเกิดจากการทำงานในรูปแบบต่างๆ หน้ากากกันฝุ่นหรือหน้ากากป้องกันพิษต้องสามารถกรองอนุภาคเล็กๆ ที่เกิดจากการทำงานของคุณ การได้ยินเสียงรบกวนที่มีความดังสูงติดต่อกันเป็นเวลานานอาจทำให้สูญเสียการได้ยิน
9. จัดให้บุคคลรอบข้างอยู่ในระยะห่างที่ปลอดภัยจากพื้นที่การทำงาน บุคคลที่เข้าสู่พื้นที่การทำงานต้องสวมใส่ชุดอุปกรณ์ป้องกัน เศษชิ้นงานหรืออุปกรณ์เสริมที่แตกหักอาจปลิวกระเด็นออกมา และเป็นสาเหตุให้ได้รับบาดเจ็บได้โดยตรงจากพื้นที่การทำงาน
10. ถือเครื่องมือไฟฟ้าบริเวณมือจับที่มีฉนวนหุ้มเท่านั้น ขณะทำงานอุปกรณ์ที่ใช้ตัดอาจสัมผัสกับสายไฟที่ซ่อนอยู่หรือสายไฟของเครื่องเอง ชิ้นส่วนของเครื่องมือตัดที่สัมผัสกับสายไฟที่ "มีกระแสไฟฟ้าไหลผ่าน" อาจทำให้ส่วนที่เป็นโลหะของเครื่องมือไฟฟ้าที่ไม่มีฉนวนหุ้ม "มีกระแสไฟฟ้าไหลผ่าน" และทำให้ผู้ปฏิบัติงานถูกไฟฟ้าช็อตได้
11. จัดตำแหน่งให้สายไฟอยู่ห่างจากอุปกรณ์เสริมที่กำลังหมุนอยู่ หากคุณสูญเสียการควบคุม สายไฟอาจถูกตัดหรือถูกเกี่ยวและทำให้มือหรือแขนของคุณถูกดึงเข้าไปในอุปกรณ์เสริมที่กำลังหมุนอยู่
12. อย่าวางเครื่องมือไฟฟ้าลงจนกว่าอุปกรณ์เสริมจะหยุดทำงานจนสนิท อุปกรณ์เสริมที่กำลังหมุนอยู่อาจสัมผัสถูกพื้นและดึงเครื่องมือไฟฟ้าจนหลุดจากการควบคุมของคุณ
13. อย่าเปิดสวิตช์เครื่องมือไฟฟ้า ในขณะที่กำลังถือเครื่องหันมาทางตัวของคุณเอง การสัมผัสกับอุปกรณ์เสริมที่กำลังหมุนอยู่โดยไม่ตั้งใจอาจเกี่ยวข้องกับเสื้อผ้าของคุณ ซึ่งจะดึงอุปกรณ์เสริมเข้าหาตัวคุณได้

14. ทำความสะอาดช่องระบายอากาศของเครื่องมือไฟฟ้า เป็นระยะ ๆ ฟิล์มของมอเตอร์จะพัดเศษฝุ่นผงเข้าไปภายในเครื่องและการสะสมของเศษผงโลหะที่มากขึ้นไปอาจทำให้เกิดอันตรายจากไฟฟ้าช็อตได้
15. อย่าใช้เครื่องมือไฟฟ้าใกล้วัตถุไวไฟ ประกายไฟอาจทำให้เกิดวัตถุดังกล่าวลุกไหม้
16. อย่าใช้อุปกรณ์เสริมที่ต้องมีน้ำยาหล่อเย็น การใช้ น้ำหรือน้ำยาหล่อเย็นอื่นๆ อาจทำให้ได้รับอันตรายจากไฟฟ้าช็อตหรือไฟฟ้าช็อต

การติดกลับและคำเตือนที่เกี่ยวข้อง

การติดกลับ คือ ปฏิกริยาสะท้อนกลับที่เกิดขึ้นทันทีจากการกระทบหรือการเกี่ยว กับ ไบเจีย แผ่นรอง แปรง หรืออุปกรณ์เสริมอื่นๆ การกระทบหรือการเกี่ยวจะทำให้อุปกรณ์เสริมที่กำลังหมุนอยู่หยุดทำงานทันที ซึ่งเป็นสาเหตุให้เครื่องมือไฟฟ้าที่ไม่สามารถควบคุมได้ ถูกผลักให้ไปอยู่ในทิศทางตรงกันข้ามกับการหมุนของอุปกรณ์เสริม ณ จุดที่มีการสัมผัส

ตัวอย่างเช่น หากไบเจียเกี่ยวหรือกระทบกับชิ้นงาน ขอบของไบเจีย ในจุดที่มีการกระทบจะกินลึกเข้าไปในพื้นผิวของวัสดุซึ่งจะเป็นสาเหตุให้ไบเจียปืนออกมาหรือติดกลับ ไบเจียอาจกระเด็นเข้าหาหรือออกจากผู้ใช้งาน ขึ้นอยู่กับทิศทางเคลื่อนที่ของไบเจีย ณ จุดที่มีการกระทบ และอาจทำให้ไบเจียชำรุดแตกหักในสภาพดังกล่าว

การติดกลับคือผลจากการใช้งานเครื่องมือไฟฟ้าผิดวัตถุประสงค์ และ/หรือขั้นตอนหรือสภาพการปฏิบัติงานไม่ถูกต้อง แต่สามารถหลีกเลี่ยงได้หากใช้มาตรการป้องกันที่เหมาะสมต่อไปนี้

- a) ถือมือจับของเครื่องมือไฟฟ้าอย่างมั่นคง และจัดตำแหน่งร่างกายและแขนของคุณให้สามารถต้านทานแรงติดกลับได้ ใช้มือจับเสริมเสมอ (ถ้ามี) เพื่อให้สามารถควบคุมได้อย่างเต็มที่เมื่อมีการติดกลับหรือเกิดปฏิกิริยาของแรงบิดระหว่างการเปิดใช้งานเครื่อง ผู้ปฏิบัติงานสามารถควบคุมปฏิกิริยาของแรงบิดหรือแรงติดกลับได้ หากใช้มาตรการป้องกันที่เหมาะสม
- b) อย่าให้มืออยู่ในใกล้อุปกรณ์เสริมที่กำลังหมุนอยู่ อุปกรณ์เสริมนั้นอาจติดกลับมาที่มือของคุณ
- c) อย่าให้ตัวของคุณเข้าไปอยู่ในระยะที่เครื่องมือไฟฟ้าเคลื่อนที่ หากมีการติดกลับเกิดขึ้น การติดกลับอาจผลักเครื่องมือให้ไปในทิศทางตรงข้ามกับการเคลื่อนที่ของไบเจีย ณ จุดที่มีการเกี่ยวกัน
- d) ใช้ความระมัดระวังเป็นพิเศษเมื่อกำลังทำงานกับมุมขอบที่มีความคม ฯลฯ ป้องกันไม่ให้มีการติดกลับหรือการเกี่ยวของอุปกรณ์เสริม มุม ขอบที่มีความคม หรือการติดกลับอาจเกี่ยวเข้ากับอุปกรณ์เสริมที่กำลังหมุนอยู่ และเป็นสาเหตุให้สูญเสียการควบคุมหรือการติดกลับ

- e) อย่าใส่ไบเลื่อยและสลักไม้ที่มีโซหรือไบเลื่อยแบบมีฟัน ไบเลื่อยดังกล่าวมักทำให้เครื่องติดกลับหรือสูญเสียการควบคุม

คำเตือนด้านความปลอดภัยสำหรับการเจียโดยเฉพาะ:

- a) ใไบเจียในประเภทที่แนะนำสำหรับเครื่องมือไฟฟ้าของคุณและฝาดครอบที่ออกแบบมาโดยเฉพาะกับไบเจียที่เลือกไว้เท่านั้น ไบเจียที่ไม่ได้ออกแบบมาสำหรับเครื่องมือไฟฟ้าจะไม่สามารถป้องกันได้อย่างเพียงพอและไม่มีความปลอดภัย
- b) พื้นผิวการเจียของไบเจียศูนย์คมต้องยึดอยู่ใต้ระนาบของขอบป้องกัน ขอบป้องกันจะไม่สามารถป้องกันไบเจียที่ยึดไม่ถูกต้องที่ยื่นออกมาจากระนาบของขอบป้องกันได้
- c) ต้องประกอบฝาดครอบเข้ากับเครื่องมือไฟฟ้าอย่างแน่นหนาและจัดวางตำแหน่งให้มีความปลอดภัยที่สุด โดยให้ไบเจียในส่วนที่ไม่มีฝาดครอบหันไปทางผู้ปฏิบัติงานน้อยที่สุด เครื่องป้องกันจะช่วยปกป้องผู้ปฏิบัติงานจากเศษไบเจียที่แตกหัก การสัมผัสกับไบเจียโดยไม่ตั้งใจ และสะเก็ดไฟที่อาจลุกติดเสื้อผ้า
- d) ต้องใช้ไบเจียตามการใช้งานที่แนะนำเท่านั้น ตัวอย่างเช่น: อย่าเจียโดยใช้ด้านข้างของใบตัด ใบตัดโลหะผลิตขึ้นมาเพื่อใช้ในการเจียจากขอบด้านนอก การใช้แรงกดด้านข้างของใบตัดอาจทำให้ใบตัดแตกหักได้
- e) ใช้หน้าแปลนของไบเจียที่ไม่ชำรุดเสียหายโดยมีขนาดและรูปทรงที่เหมาะสมกับไบเจียที่คุณเลือกไว้เสมอ หน้าแปลนของไบเจียที่เหมาะสมจะช่วยยึดไบเจียไว้ จึงช่วยลดโอกาสของการที่ไบเจียจะชำรุดเสียหาย หน้าแปลนของใบตัดอาจมีขนาดแตกต่างจากหน้าแปลนของไบเจีย
- f) อย่าใช้ไบเจียที่สึกหรอจากเครื่องมือไฟฟ้าที่มีขนาดใหญ่กว่า ไบเจียที่ใช้งานสำหรับเครื่องมือไฟฟ้าที่มีขนาดใหญ่กว่าไม่เหมาะสมกับเครื่องมือที่มีขนาดเล็กกว่าและมีความเร็วสูงกว่า และอาจแตกหักได้

คำเตือนด้านความปลอดภัยเพิ่มเติม:

17. ในขณะที่ใช้งานไบเจียศูนย์คม ให้ตรวจสอบว่าไบเจียเฉพาะไบเจียที่เสริมไฟเบอร์กลาสเท่านั้น
18. อย่าใช้หินเจียแบบถ่วงกับเครื่องเจียนี้ เครื่องเจียนี้ไม่ได้ ออกแบบมาเพื่อใช้กับหินเจียเหล่านี้ การใช้ผลิตภัณฑ์ดังกล่าวอาจทำให้เกิดการบาดเจ็บร้ายแรงได้
19. ระมัดระวังทำให้เพลาหมุน, หน้าแปลน (โดยเฉพาะบริเวณพื้นผิวที่มีการติดตั้ง) หรือน็อตล็อคชำรุดเสียหาย การทำให้ชิ้นส่วนเหล่านี้ชำรุดเสียหายอาจทำให้ไบเจียแตกหักได้
20. ตรวจสอบว่าไบเจียไม่ได้สัมผัสถูกชิ้นงานก่อนที่จะเปิดสวิตช์
21. ก่อนใช้เครื่องมือกับชิ้นงานจริง ให้เปิดเดินเครื่องเปล่าสักครู่หนึ่ง ตรวจสอบการสั่นสะเทือนหรือการโคลงเคลง

ที่อาจชี้ให้เห็นว่ามีการติดตั้งที่ไม่เหมาะสมหรือใบเจีย
ไม่มีความสมดุล

22. ใช้พื้นผิวของใบเจียที่ระบุไว้เพื่อทำการเจีย
23. อย่าปล่อยให้เครื่องมือทำงานค้างไว้ ใช้งานเครื่องมือ
ในขณะที่ถืออยู่เท่านั้น
24. ห้ามสัมผัสกับชิ้นงานทันทีที่ทำงานเสร็จ เนื่องจากชิ้นงาน
อาจมีความร้อนสูงและลวกผิวหนังของคุณได้
25. ศึกษาคำแนะนำของผู้ผลิตสำหรับการติดตั้งและการ
ใช้งานใบเจียอย่างถูกต้อง ดูแลและจัดเก็บใบเจีย
อย่างระมัดระวัง
26. อย่าใช้บูชหรือตัวแปลงเพื่อแปลงใบเจียที่มีรูขนาดใหญ่
27. ใช้เฉพาะหน้าแปลนที่ระบุไว้สำหรับเครื่องมือนี้เท่านั้น
28. สำหรับเครื่องมือที่ใช้สอดลงไปในห้องเกลียวของใบเจีย
ให้ตรวจสอบว่าเกลียวจับใบเจียมีความยาวพอที่จะรับ
กับความยาวของเพลานหมุน
29. ตรวจสอบว่ามีการยึดชิ้นงานอย่างเหมาะสม
30. ใช้ความระมัดระวังในขณะที่ใบเจียยังคงหมุนอยู่
หลังจากปิดสวิตช์เครื่องมือ
31. หากสถานที่ทำงานมีความร้อนและความชื้นมากเกินไป
หรือมีการปนเปื้อนฝุ่นผงที่เป็นตัวนำไฟฟ้า ให้ใช้เครื่อง
ตัดกระแสไฟช็อต (30 mA) เพื่อให้มั่นใจว่าผู้ปฏิบัติงาน
จะมีความปลอดภัย
32. อย่าใช้งานเครื่องมือกับวัสดุที่ประกอบไปด้วยแบริยีน
33. ระหว่างทำงาน อย่าสวมถุงมือทำงานที่ทำจากผ้า เส้นใย
จากถุงมือผ้าอาจเข้าไปในเครื่องมือ ซึ่งอาจเป็นสาเหตุให้
เครื่องมือชำรุดเสียหายได้

เก็บรักษาคำแนะนำเหล่านี้ไว้

⚠ คำเตือน:

อย่าให้ความไม่ระมัดระวังหรือความคุ้นเคยกับผลิตภัณฑ์
(จากการใช้งานซ้ำหลายครั้ง) อยู่เหนือการปฏิบัติตาม
กฎเกณฑ์ด้านความปลอดภัยในการใช้งานผลิตภัณฑ์อย่าง
เคร่งครัด การปฏิบัติอย่างไม่เหมาะสมหรือการไม่ปฏิบัติตาม
กฎเกณฑ์ด้านความปลอดภัยในคู่มือการใช้งานนี้อาจก่อให้เกิดการบาดเจ็บอย่างรุนแรง

คำอธิบายการใช้งาน

⚠ ข้อควรระวัง:

- ก่อนปรับเปลี่ยนหรือตรวจสอบการทำงานของเครื่อง ต้อง
ตรวจสอบให้แน่ใจว่าได้ปิดสวิตช์และถอดปลั๊กเครื่องแล้วทุกครั้ง

ตัวล็อคเพลลา

⚠ ข้อควรระวัง:

- อย่าการตบตัวล็อคเพลลาในขณะที่เพลานหมุนกำลังเคลื่อนที่อยู่
เครื่องมืออาจชำรุดเสียหายได้
- กดตัวล็อคเพลลาเพื่อป้องกันไม่ให้เพลานหมุนในขณะที่ประกอบหรือ
ถอดอุปกรณ์เสริมออก (ภาพที่ 1)

การทำงานของสวิตช์

⚠ ข้อควรระวัง:

- ก่อนเสียบปลั๊กเครื่องมือ ให้ตรวจสอบว่าไกสวิตช์สามารถ
ทำงานได้อย่างถูกต้อง และกลับไปยังตำแหน่ง "OFF" เมื่อปล่อย
(ภาพที่ 2)

สำหรับเครื่องมือที่ไม่มีปุ่มล็อค

ในการเริ่มต้นใช้งานเครื่องมือ ให้ดึงไกสวิตช์ ปล่อยไกสวิตช์เพื่อ
หยุดการทำงาน

สำหรับเครื่องมือที่มีปุ่มล็อค

⚠ ข้อควรระวัง:

- สามารถล๊อคสวิตช์ไปที่ตำแหน่ง "ON" เพื่อให้ผู้ปฏิบัติงาน
ทำงานที่ต้องใช้ระยะเวลาเพิ่มขึ้นได้อย่างสะดวก ใช้ความ
ระมัดระวังในขณะที่ล๊อคเครื่องมือไว้ที่ตำแหน่ง "ON" และถือ
ที่จับของเครื่องมือไว้ให้มั่นคง

ในการเริ่มต้นใช้งานเครื่องมือ ให้ดึงไกสวิตช์ ปล่อยไกสวิตช์เพื่อ
หยุดการทำงาน

ถ้าต้องการใช้งานอย่างต่อเนื่อง ดึงไกสวิตช์และจากนั้นกดปุ่มล๊อค
ถ้าต้องการเลิกใช้งานเครื่องมือในตำแหน่งล๊อค ให้ดึงไกสวิตช์จนสุด
จากนั้นปล่อยไกสวิตช์ออก

การประกอบ

⚠ ข้อควรระวัง:

- ก่อนดำเนินการใดๆ กับเครื่อง ต้องตรวจสอบให้แน่ใจว่า
ปิดสวิตช์และถอดปลั๊กเครื่องแล้วทุกครั้ง

การติดตั้งที่จับด้านข้าง (มือจับ)

⚠ ข้อควรระวัง:

- ตรวจสอบเสมอว่าได้มีการติดตั้งด้านข้างด้านข้างอย่างหนาแน่น
ก่อนใช้งาน
- ขันน็อตมือจับด้านข้างที่เครื่องมือให้แน่นตามแสดงไว้ในภาพ
ประกอบ (ภาพที่ 3)

การประกอบหรือการนำฝาครอบใบเจีย (สำหรับใบเจียศูนย์จัม/จานประกบ) ออก

⚠️ ข้อควรระวัง:

- เมื่อใช้ใบเจียศูนย์จัม/จานประกบ ฝาครอบใบเจียต้องมีขนาดพอดีกับเครื่องมือเพื่อให้ด้านที่ปิดของฝาครอบหันไปทางผู้ปฏิบัติงานเสมอ

ยึดฝาครอบใบเจียโดยให้ส่วนที่ยื่นออกมาจากแถบของฝาครอบใบเจียอยู่ในตำแหน่งเดียวกับเครื่องหมายบนกล่องผลิตภัณฑ์ จากนั้นให้หมุนฝาครอบใบเจียไปยังมุมที่สามารถป้องกันผู้ปฏิบัติงานจากงานที่ทำงานอยู่ ตรวจสอบให้แน่ใจว่าได้ขันสลักอย่างแน่นหนาแล้ว (ภาพที่ 4)

ในการถอดฝาครอบใบเจีย ให้ปฏิบัติตามขั้นตอนการประกอบตามลำดับย้อนกลับ

การประกอบหรือการนำใบเจียศูนย์จัม/จานประกบ (อุปกรณ์เสริม) ออก

⚠️ คำเตือน:

- ให้ใช้ฝาครอบที่มีมาให้ เมื่อเครื่องมือมีใบเจียศูนย์จัม/จานประกบอยู่ ใบเจียอาจแตกหักได้ระหว่างการใช้งาน และฝาครอบจะช่วยลดโอกาสของการได้รับบาดเจ็บได้ ประกอบหน้าแปลนด้านในลงบนเพลลา ประกอบใบเจีย/จานลงบนหน้าแปลนด้านใน และขันน็อตยึดเพลลา (ภาพที่ 5) ในการขันน็อตยึด ให้กดตัวล็อกเพลลาให้แน่นเพื่อให้เพลลาหมุนไม่สามารรถหมุนได้ จากนั้น ให้ใช้ประแจขันน็อตยึดตามเข็มนาฬิกาให้แน่น (ภาพที่ 6) ในการถอดใบเจียออก ให้ปฏิบัติตามขั้นตอนการประกอบตามลำดับย้อนกลับ

การทำงาน

⚠️ คำเตือน:

- ไม่จำเป็นต้องใช้แรงกดเครื่องมือ น้ำหนักของเครื่องมือก็เพียงพอแล้ว การฝืนและใช้แรงกดมากเกินไปอาจทำให้ใบเจียชำรุดเสียหายได้
- ให้เปลี่ยนใบเจียทุกครั้ง หากเครื่องมือร่วงตกลงไปบนพื้นในขณะที่ทำการเจีย
- อย่ากระแทกหรือตีจานหรือใบเจียในขณะที่ทำงาน
- หลีกเลี่ยงไม่ให้มีการกระเด็นหรือการเกี่ยวของของใบเจีย โดยเฉพาะเมื่อกำลังทำงานกับมุม ขอบที่มีความคม ฯลฯ เพราะเหตุการณ์ดังกล่าวอาจเป็นสาเหตุให้สูญเสียการควบคุมและการติดกลับได้
- อย่าใช้เครื่องมือที่มีใบเลื่อยตัดไม้และใบเลื่อยอื่นๆ เนื่องจากหากนำใบเลื่อยดังกล่าวมาใช้ในเครื่องเจียแล้วมักจะติดกลับบ่อยครั้ง และเป็นสาเหตุให้สูญเสียการควบคุมซึ่งทำให้ได้รับบาดเจ็บได้

⚠️ ข้อควรระวัง:

- อย่าเปิดสวิตช์เครื่องมือเมื่อเครื่องกำลังสัมผัสอยู่กับชิ้นงาน เพราะอาจทำให้ผู้ปฏิบัติงานได้รับบาดเจ็บได้
- สวมใส่แว่นครอบตากับถุงมือ หรือหน้ากากป้องกันใบหน้า ทุกครั้งในขณะที่ทำงาน
- หลังจากทำงานเสร็จเรียบร้อย ให้ปิดสวิตช์เครื่องมือทุกครั้ง และระจอนกว่าใบเจียจะหยุดหมุนจนสนิทก่อนที่จะวางเครื่องมือลง

การเจีย (ภาพที่ 7)

ให้ถือเครื่องมืออย่างมั่นคงทุกครั้ง โดยให้มือหนึ่งจับที่ที่จับด้านหลัง และอีกมือหนึ่งจับที่ที่จับด้านข้าง ปิดสวิตช์เครื่องมือ แล้วใช้จานหรือใบเจียทำงานกับชิ้นงาน

โดยทั่วไปแล้ว ให้จัดตำแหน่งระหว่างขอบของจานหรือใบเจียกับพื้นผิวของชิ้นงานทำมุมประมาณ 15 องศา

ในระยะแรกของการใช้ใบเจียใหม่ อย่าให้เครื่องเจียทำงานในทิศทาง B มิฉะนั้น เครื่องจะกินเข้าไปในชิ้นงาน เมื่อขอบของใบเจียเริ่มเรียบมนจากการใช้งาน จึงสามารถใช้ใบเจียให้ทำงานได้ทั้งในทิศทาง A และ B

การดูแลรักษา

⚠️ ข้อควรระวัง:

- ก่อนตรวจสอบหรือดูแลรักษาเครื่อง ต้องตรวจสอบให้แน่ใจว่าได้ปิดสวิตช์และถอดปลั๊กเครื่องออกแล้วทุกครั้ง
- อย่าใช้น้ำมันเชื้อเพลิง เบนซิน ทินเนอร์ แอลกอฮอล์ หรือวัสดุประเภทเดียวกัน เพราะอาจทำให้เครื่องมือลื่นหรือชำรุด หรือรูปทรงหรือแตกหักได้

ต้องรักษาความสะอาดเครื่องมือและช่องระบายอากาศของเครื่องเสมอ ทำความสะอาดช่องระบายอากาศของเครื่องมือเป็นระยะๆ หรือเมื่อช่องระบายอากาศเริ่มมีสิ่งอุดตัน (ภาพที่ 8)

การเปลี่ยนแปลงถ่าน (ภาพที่ 9)

ถอดและตรวจสอบแปลงถ่านเป็นประจำ หากแปลงลึกลงไปถึงเครื่องหมายขีดจำกัด ให้เปลี่ยนแปลงใหม่ รักษาความสะอาดของแปลงถ่าน และตรวจสอบว่าสามารถใส่ลงในช่องใส่แปลงได้ ควรเปลี่ยนแปลงถ่านใหม่พร้อมกันเป็นคู่ ให้ใช้แปลงถ่านที่เหมือนกันเท่านั้น

ใช้ไขควงถอดฝาปิดช่องใส่แปลงออก นำแปลงถ่านที่สึกหรอแล้วออกมา ใส่แปลงถ่านใหม่เข้าไป และปิดฝาปิดช่องใส่แปลงให้เข้าที่ (ภาพที่ 10)

เพื่อดูแลให้ผลิตภัณฑ์ที่มีความปลอดภัยและไว้วางใจได้ ควรนำส่งผลิตภัณฑ์ให้แก่ศูนย์บริการที่ได้รับอนุญาตของ Makita ดำเนินการซ่อมแซม ดูแลรักษา หรือเปลี่ยนอะไหล่ และใช้อะไหล่แท้ของ Makita เท่านั้น

Makita Corporation
3-11-8, Sumiyoshi-cho,
Anjo, Aichi 446-8502 Japan

885412A373

www.makita.com

ALA