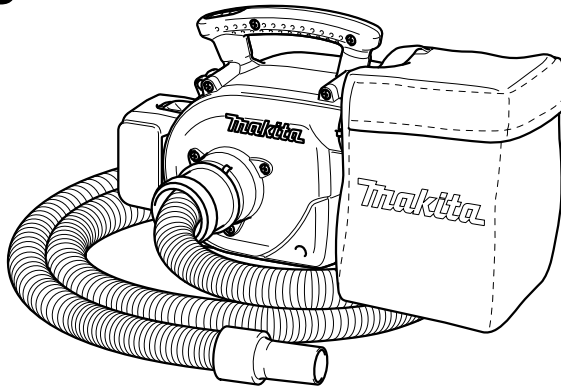




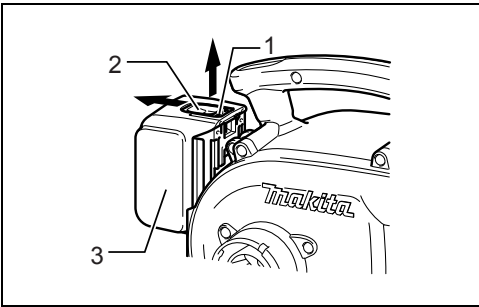
<b>EN</b>	Cordless Vacuum Cleaner	Instruction manual
<b>ZHCN</b>	充电式小型集尘器	使用说明书
<b>ID</b>	Mesin Pembersih Vakum Nirkabel	Petunjuk penggunaan
<b>VI</b>	Máy Hút Bụi Chạy Pin	Tài liệu hướng dẫn
<b>TH</b>	เครื่องดูดฝุ่นไร้สาย	คู่มือการใช้งาน

# DVC340 DVC350



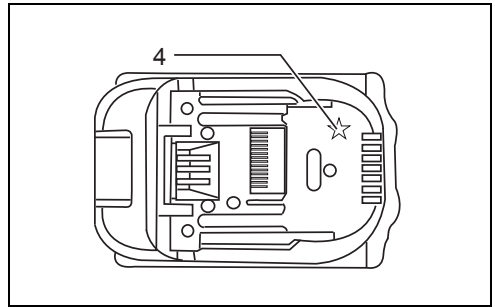
01111





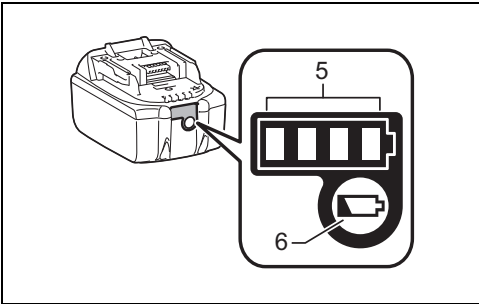
1

011112



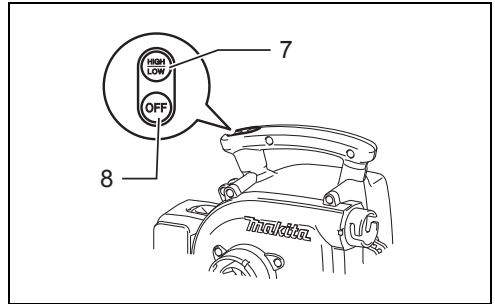
2

011389



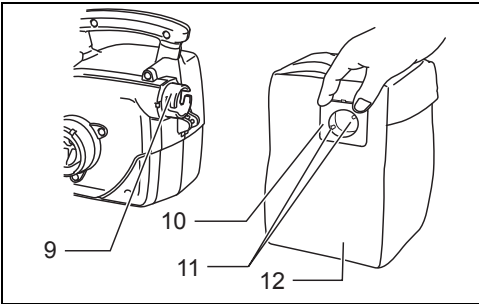
3

015676



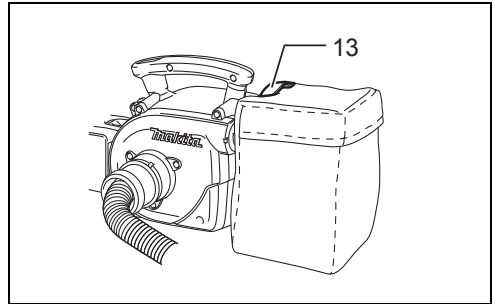
4

011121



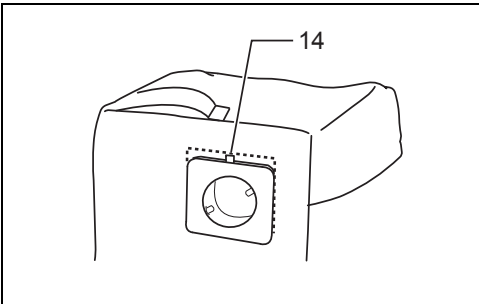
5

011113



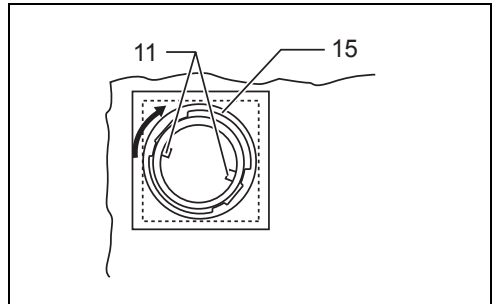
6

011114



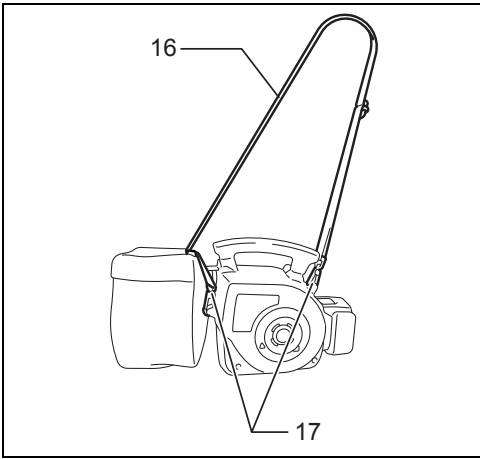
7

011115



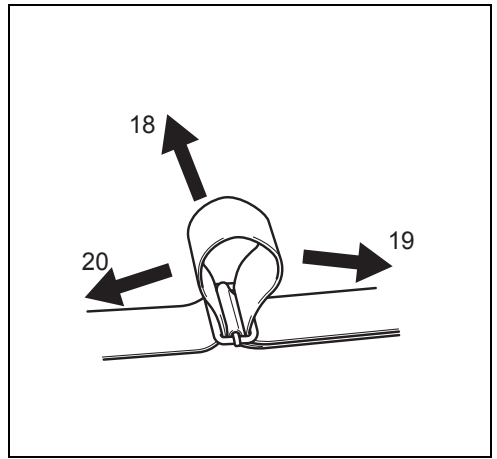
8

011116



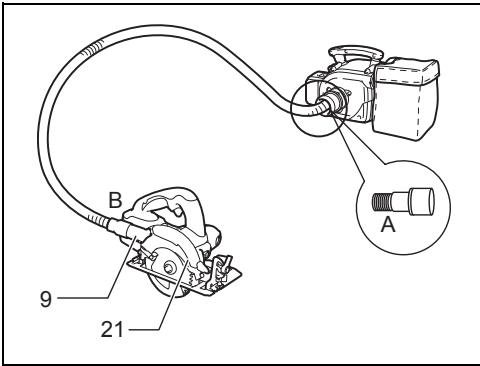
9

011117



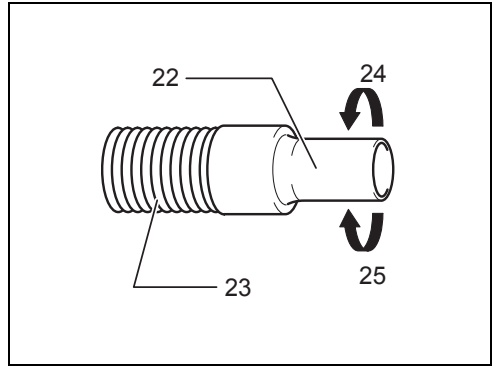
10

011118



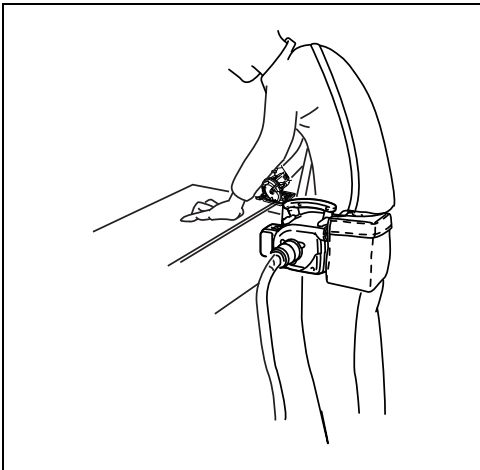
11

011119



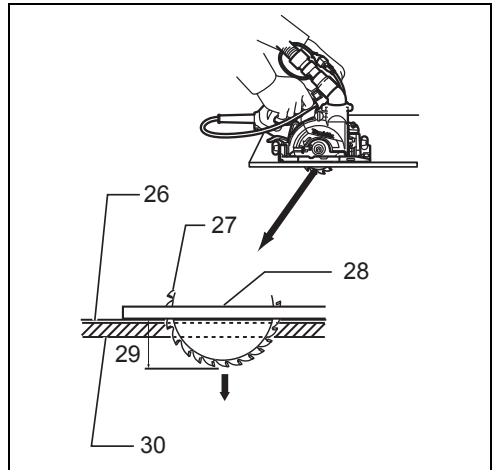
12

011120



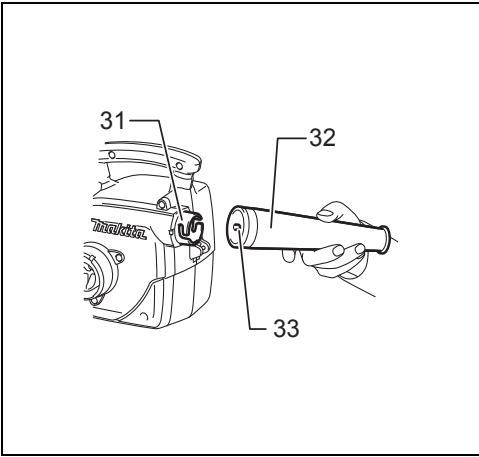
13

011122



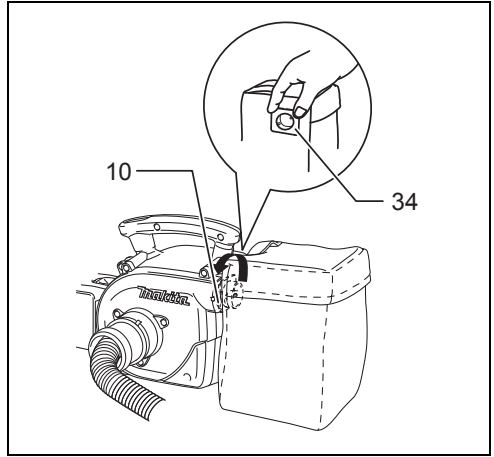
14

011123



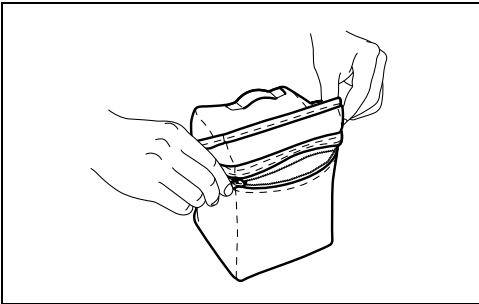
**15**

011124



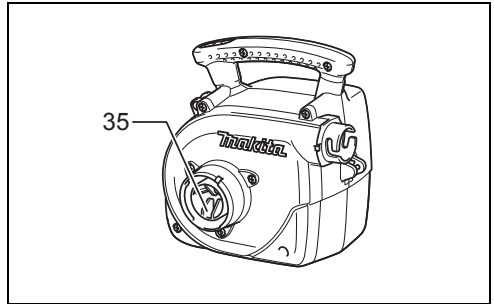
**16**

011125



**17**

011126



**18**

011127

# ENGLISH (Original Instructions)

## Explanation of general view

- |                      |                    |                       |
|----------------------|--------------------|-----------------------|
| 1. Red part          | 13. Hook           | 25. Install           |
| 2. Button            | 14. Protrusion     | 26. Decorative paper  |
| 3. Battery cartridge | 15. Ring           | 27. Saw blade         |
| 4. Star mark         | 16. Shoulder strap | 28. Base              |
| 5. Indicator lamps   | 17. Two hooks      | 29. Cutting depth     |
| 6. Check button      | 18. Pull out       | 30. Plaster board     |
| 7. HIGH/LOW button   | 19. For shortening | 31. Outlet (air vent) |
| 8. OFF button        | 20. For extending  | 32. Nozzle            |
| 9. Dust outlet       | 21. Power tool     | 33. Pin               |
| 10. Dust bag joint   | 22. Front cuff     | 34. Square section    |
| 11. Pins             | 23. Hose           | 35. Filter area       |
| 12. Dust bag         | 24. Remove         |                       |

## SPECIFICATIONS

Model		DVC340	DVC350
Capacity	Volume	3.0 L	
	Max. Air volume	3.3 m <sup>3</sup> /min.	3.4 m <sup>3</sup> /min.
Continuous use (Approx.)	HIGH	4 min (with BL1415)	6 min (with BL1815)
		5 min (with BL1415N)	7 min (with BL1815N)
		–	8 min (with BL1820/BL1820B)
		10 min (with BL1430/BL1430B)	13 min (with BL1830/BL1830B)
		13 min (with BL1440)	18 min (with BL1840/BL1840B)
		16 min (with BL1450)	21 min (with BL1850/BL1850B)
	LOW	20 min (with BL1460B)	26 min (with BL1860B)
		8 min (with BL1415)	12 min (with BL1815)
		10 min (with BL1415N)	14 min (with BL1815N)
		–	16 min (with BL1820/BL1820B)
		20 min (with BL1430/BL1430B)	26 min (with BL1830/BL1830B)
		26 min (with BL1440)	36 min (with BL1840/BL1840B)
		33 min (with BL1450)	42 min (with BL1850/BL1850B)
		40 min (with BL1460B)	52 min (with BL1860B)
Overall length	403 mm		
Net weight (with battery)	2.1 kg (BL1415/BL1415N)	2.2 kg (BL1815/BL1815N/BL1820/BL1820B)	
	2.3 kg (BL1430/BL1430B/BL1440/BL1450/BL1460B)	2.4 kg (BL1830/BL1830B/BL1840/BL1840B/BL1850/BL1850B/BL1860B)	
Rated voltage	D.C. 14.4 V	D.C. 18 V	

- Due to our continuing program of research and development, the specifications herein are subject to change without notice.
- Specifications and battery cartridge may differ from country to country.
- Weight, with battery cartridge, according to EPTA-Procedure 01/2003

### Symbols

END315-1

ENA006-1

The following show the symbols used for the equipment.  
Be sure that you understand their meaning before use.



..... Read instruction manual.

### Intended use

ENE017-1

The tool is intended for collecting dry dust.

**WARNING:** This appliance can be used by children aged from 8 years and above and persons with reduced physical, sensory or mental capabilities or lack of experience and knowledge if they have been given supervision or instruction concerning use of the appliance in a safe way and understand the hazards involved. Children shall not play with the appliance. Cleaning and user maintenance shall not be made by children without supervision.

# General Power Tool Safety Warnings

GEA006-2

**⚠ WARNING** Read all safety warnings and all instructions. Failure to follow the warnings and instructions may result in electric shock, fire and/or serious injury.

## Save all warnings and instructions for future reference.

The term "power tool" in the warnings refers to your mains-operated (corded) power tool or battery-operated (cordless) power tool.

### Work area safety

1. **Keep work area clean and well lit.** Cluttered or dark areas invite accidents.
2. **Do not operate power tools in explosive atmospheres, such as in the presence of flammable liquids, gases or dust.** Power tools create sparks which may ignite the dust or fumes.
3. **Keep children and bystanders away while operating a power tool.** Distractions can cause you to lose control.

### Electrical safety

4. **Power tool plugs must match the outlet. Never modify the plug in any way. Do not use any adapter plugs with earthed (grounded) power tools.** Unmodified plugs and matching outlets will reduce risk of electric shock.
5. **Avoid body contact with earthed or grounded surfaces such as pipes, radiators, ranges and refrigerators.** There is an increased risk of electric shock if your body is earthed or grounded.
6. **Do not expose power tools to rain or wet conditions.** Water entering a power tool will increase the risk of electric shock.
7. **Do not abuse the cord. Never use the cord for carrying, pulling or unplugging the power tool. Keep cord away from heat, oil, sharp edges or moving parts.** Damaged or entangled cords increase the risk of electric shock.
8. **When operating a power tool outdoors, use an extension cord suitable for outdoor use.** Use of a cord suitable for outdoor use reduces the risk of electric shock.
9. **If operating a power tool in a damp location is unavoidable, use a ground fault circuit interrupter (GFCI) protected supply.** Use of an GFCI reduces the risk of electric shock.

### Personal safety

10. **Stay alert, watch what you are doing and use common sense when operating a power tool. Do not use a power tool while you are tired or under the influence of drugs, alcohol or medication.** A moment of inattention while operating power tools may result in serious personal injury.
11. **Use personal protective equipment. Always wear eye protection.** Protective equipment such as dust mask, non-skid safety shoes, hard hat, or hearing protection used for appropriate conditions will reduce personal injuries.

12. **Prevent unintentional starting. Ensure the switch is in the off-position before connecting to power source and/or battery pack, picking up or carrying the tool.** Carrying power tools with your finger on the switch or energising power tools that have the switch on invites accidents.
13. **Remove any adjusting key or wrench before turning the power tool on.** A wrench or a key left attached to a rotating part of the power tool may result in personal injury.
14. **Do not overreach. Keep proper footing and balance at all times.** This enables better control of the power tool in unexpected situations.
15. **Dress properly. Do not wear loose clothing or jewellery. Keep your hair, clothing, and gloves away from moving parts.** Loose clothes, jewellery or long hair can be caught in moving parts.
16. **If devices are provided for the connection of dust extraction and collection facilities, ensure these are connected and properly used.** Use of dust collection can reduce dust-related hazards.

### Power tool use and care

17. **Do not force the power tool. Use the correct power tool for your application.** The correct power tool will do the job better and safer at the rate for which it was designed.
18. **Do not use the power tool if the switch does not turn it on and off.** Any power tool that cannot be controlled with the switch is dangerous and must be repaired.
19. **Disconnect the plug from the power source and/or the battery pack from the power tool before making any adjustments, changing accessories, or storing power tools.** Such preventive safety measures reduce the risk of starting the power tool accidentally.
20. **Store idle power tools out of the reach of children and do not allow persons unfamiliar with the power tool or these instructions to operate the power tool.** Power tools are dangerous in the hands of untrained users.
21. **Maintain power tools. Check for misalignment or binding of moving parts, breakage of parts and any other condition that may affect the power tool's operation. If damaged, have the power tool repaired before use.** Many accidents are caused by poorly maintained power tools.
22. **Keep cutting tools sharp and clean.** Properly maintained cutting tools with sharp cutting edges are less likely to bind and are easier to control.
23. **Use the power tool, accessories and tool bits etc. in accordance with these instructions, taking into account the working conditions and the work to be performed.** Use of the power tool for operations different from those intended could result in a hazardous situation.

### Battery tool use and care

24. **Recharge only with the charger specified by the manufacturer.** A charger that is suitable for one type of battery pack may create a risk of fire when used with another battery pack.

25. **Use power tools only with specifically designated battery packs.** Use of any other battery packs may create a risk of injury and fire.
26. **When battery pack is not in use, keep it away from other metal objects, like paper clips, coins, keys, nails, screws or other small metal objects, that can make a connection from one terminal to another.** Shorting the battery terminals together may cause burns or a fire.
27. **Under abusive conditions, liquid may be ejected from the battery; avoid contact. If contact accidentally occurs, flush with water. If liquid contacts eyes, additionally seek medical help.**  
Liquid ejected from the battery may cause irritation or burns.

#### Service

28. **Have your power tool serviced by a qualified repair person using only identical replacement parts.** This will ensure that the safety of the power tool is maintained.
29. **Follow instruction for lubricating and changing accessories.**
30. **Keep handles dry, clean and free from oil and grease.**

## CORDLESS VACUUM CLEANER SAFETY WARNINGS

ENB117-4

**⚠ WARNING! IMPORTANT READ CAREFULLY all safety warnings and all instructions BEFORE USE.** Failure to follow the warnings and instructions may result in electric shock, fire and/or serious injury.

1. **Operators must be adequately instructed on the use of this cleaner.**
2. **This cleaner is not suitable for picking up hazardous dust.**
3. **This cleaner is for dry use only.**
4. **This cleaner is for indoor use only.**
5. **This cleaner shall be stored indoors only.**
6. **Do not pick up the following materials:**
  - Hot materials such as lit cigarettes or spark/ metal dust generated by grinding/cutting metal
  - Flammable materials such as gasoline, thinner, benzene, kerosene or paint
  - Explosive materials like nitroglycerin
  - Ignitable materials such as Aluminum, zinc, magnesium, titanium, phosphorus or celluloid
  - Wet dirt, water, oil or the like
  - Hard pieces with sharp edges, such as wood chips, metals, stones, glasses, nails, pins or razors
  - Powder to clot such as cement or toner
  - Conductive dust such as metal or carbon
  - Fine particle like concrete dust**Such action may cause fire, injury and/or property damage.**
7. **Stop operation immediately if you notice anything abnormal.**
8. **Do not bring close to stoves or other heat sources.**
9. **Do not block the intake hole or vent holes.**
10. **Do not leave the cleaner when battery fitted.**  
**Remove battery from appliance when not in use and before servicing.**

11. **Do not allow to be used as a toy. Close attention is necessary when used by or near children.**
12. **Use only as described in this manual. Use only manufacturer's recommended attachments.**
13. **Do not put any object into openings. Do not use with any opening blocked; keep free of dust, lint, hair, and anything that may reduce air flow.**
14. **Use extra care when cleaning on stairs.**
15. **When using the cleaner as a blower**
  - always use protective goggles, a cap and mask while operating;
  - always be sure that the cleaner is switched off and the battery cartridge is removed before clearing a blockage;
  - always be sure of your footing on slopes;
  - walk, never run;
  - never point the nozzle at anyone in the vicinity;
  - Keep all nuts, bolts and screws tight to be sure the cleaner is in safe working condition;
  - Store the cleaner only in a dry place;
  - The operator or user is responsible for accidents or hazards occurring to other people or their property.

## KEEP FOR FUTURE REFERENCE

### ⚠ WARNING:

**DO NOT let comfort or familiarity with product (gained from repeated use) replace strict adherence to safety rules for the subject product. MISUSE or failure to follow the safety rules stated in this instruction manual may cause serious personal injury.**

This cleaner is intended for both domestic and commercial use, for example in hotels, schools, hospitals, factories, shops, offices and rental businesses.

## IMPORTANT SAFETY INSTRUCTIONS

ENC007-11

### FOR BATTERY CARTRIDGE

1. **Before using battery cartridge, read all instructions and cautionary markings on (1) battery charger, (2) battery, and (3) product using battery.**
2. **Do not disassemble battery cartridge.**
3. **If operating time has become excessively shorter, stop operating immediately. It may result in a risk of overheating, possible burns and even an explosion.**
4. **If electrolyte gets into your eyes, rinse them out with clear water and seek medical attention right away. It may result in loss of your eyesight.**
5. **Do not short the battery cartridge:**
  - (1) **Do not touch the terminals with any conductive material.**
  - (2) **Avoid storing battery cartridge in a container with other metal objects such as nails, coins, etc.**
  - (3) **Do not expose battery cartridge to water or rain.**

**A battery short can cause a large current flow, overheating, possible burns and even a breakdown.**

6. **Do not store the tool and battery cartridge in locations where the temperature may reach or exceed 50°C (122°F).**
7. **Do not incinerate the battery cartridge even if it is severely damaged or is completely worn out. The battery cartridge can explode in a fire.**
8. **Be careful not to drop or strike battery.**
9. **Do not use a damaged battery.**
10. **The contained lithium-ion-batteries are subject to the Dangerous Goods Legislation requirements.**  
For commercial transports e.g. by third parties, forwarding agents, special requirement on packaging and labeling must be observed.  
For preparation of the item being shipped, consulting an expert for hazardous material is required. Please also observe possibly more detailed national regulations.  
Tape or mask off open contacts and pack up the battery in such a manner that it cannot move around in the packaging.
11. **Follow your local regulations relating to disposal of battery.**

## SAVE THESE INSTRUCTIONS.

**⚠ CAUTION: Only use genuine Makita batteries.**  
Use of non-genuine Makita batteries, or batteries that have been altered, may result in the battery bursting causing fires, personal injury and damage. It will also void the Makita warranty for the Makita tool and charger.

### Tips for maintaining maximum battery life

1. **Charge the battery cartridge before completely discharged.**  
**Always stop tool operation and charge the battery cartridge when you notice less tool power.**
2. **Never recharge a fully charged battery cartridge.**  
**Overcharging shortens the battery service life.**
3. **Charge the battery cartridge with room temperature at 10°C - 40°C (50°F - 104°F).** Let a hot battery cartridge cool down before charging it.
4. **Charge the battery cartridge if you do not use it for a long period (more than six months).**

## FUNCTIONAL DESCRIPTION

**⚠ CAUTION:**  
• Always be sure that the cleaner is switched off and the battery cartridge is removed before adjusting or checking function on the cleaner.

### Installing or removing battery cartridge (Fig. 1)

- Always switch off the cleaner before insertion or removal of the battery cartridge.
- To remove the battery cartridge, withdraw it from the cleaner while sliding the button on the front of the cartridge as shown in the figure.
- To insert the battery cartridge, align the tongue on the battery cartridge with the groove in the housing and slip

it into place. Always insert it all the way until it locks in place with a little click. If you can see the red part on the upper side of the button, it is not locked completely. Insert it fully until the red part cannot be seen. If not, it may accidentally fall out of the cleaner, causing injury to you or someone around you.

- Do not use force when inserting the battery cartridge. If the cartridge does not slide in easily, it is not being inserted correctly.

### Battery protection system

The cleaner is equipped with the protection system, which automatically cuts off the output power for its long service life.

The cleaner stops during operation when the cleaner and/or battery are placed under the following situation.

This is caused by the activation of protection system and does not show the cleaner trouble.

- When the cleaner is overloaded:  
At this time, press the "OFF" button and remove causes of overload and then press the "HIGH/LOW" button again to restart.
- When battery cells get hot: (refer to the note below.)  
If any operation of the "HIGH/LOW" button and the "OFF" button, the motor will remain stopped. At this time, stop use of the cleaner and cool or charge the battery cartridge after removing it from the cleaner.
- When the remaining battery capacity gets low:  
If any operation of the "HIGH/LOW" button and the "OFF" button, the motor will remain stopped. At this time, remove the battery cartridge from the cleaner and charge it.












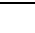

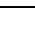




#### NOTE:

- This temperature-sensitive protection is applied only when the cleaner is used with a battery cartridge with a star mark. (Fig. 2)

### Indicating the remaining battery capacity

(Only for battery cartridges with "B" at the end of the model number.) (Fig. 3)

Press the check button on the battery cartridge to indicate the remaining battery capacity. The indicator lamps light up for few seconds.

Indicator lamps			Remaining capacity
 Lighted	 Off	 Blinking	
			75% to 100%
			50% to 75%
			25% to 50%
			0% to 25%
			Charge the battery.
			The battery may have malfunctioned.
			



#### NOTE:

- Depending on the conditions of use and the ambient temperature, the indication may differ slightly from the actual capacity.

### Switch action (Fig. 4)

To start the cleaner, simply press the "HIGH/LOW" button. To switch off, press the "OFF" button. To change the cleaner speed, press the "HIGH/LOW" button. The first press on this button is for high speed and the second press for low speed and then each press on this button repeats the high/low speed cycle alternatively.

## ASSEMBLY

#### ⚠ CAUTION:

- Always be sure that the cleaner is switched off and the battery cartridge is removed before carrying out any work on the cleaner.
- Any work with the battery cartridge being installed on the cleaner may cause a personal injury or damage to the objects around the cleaner.

### Installing dust bag (Fig. 5)

Hold the square section of the dust bag joint and fit the pins inside the dust bag joint to the notches in the dust outlet of the cleaner and then insert and turn it clockwise all the way until it stops. (Fig. 6)

At this time, make sure that the fastener part on the dust bag faces upward.

#### NOTE:

- When the dust bag joint and the ring inside the dust bag come off, install as follows.
  - (1) Align the dust bag joint with the seam of the dust bag and install it so that its protrusion faces upward. (Fig. 7)
  - (2) Tighten the ring inside the dust bag firmly so that the pins and the ring are positioned as shown in the figure. (Fig. 8)

### Installing the shoulder strap (Fig. 9)

Attach one end hook of the shoulder strap onto the ring in the front of the cleaner and thrust the other end of the strap through the band of the dust bag and then attach the other end hook as shown in the figure.

### Adjusting the shoulder strap (Fig. 10)

To adjust the length of the shoulder strap, pull it out to your desired length and pull the strap in the direction of arrow as shown in the figure.

### Connecting the hose

#### ⚠ CAUTION:

- **Do not force the hose to bend it and/or stamp it.** Forcing and/or stamping the hose may cause deformation or damage to the hose.
- **Do not pull the hose to carry the cleaner.** Pulling the hose may cause deformation or damage to the hose. (Fig. 11)

Insert the "A" end of the hose to the suction opening of the cleaner and turn it clockwise all the way until it locks. Attach the cuff on the "B" end of the hose and then connect it to the dust outlet of a power tool.

### Replacing the front cuff

Change the front cuff of the hose according to the dust outlet size of a power tool you use. (Fig. 12)

To remove the front cuff, hold the hose and turn it counterclockwise.

To mount the front cuff, turn it clockwise and then screw it in until it stops.

## OPERATION

#### ⚠ WARNING:

- Do not use the shoulder strap when working in a high place.
- When using the cleaner as a stationary cleaner, place it on a flat and stable surface.

### Vacuum cleaner (Fig. 13)

When using the cleaner as a portable cleaner, cross-hanging the shoulder strap before the breast is difficult to drop the cleaner. (Fig. 14)

#### NOTE:

- Long cut-off decorative paper that may be produced by plaster board cutting work depending on the conditions of workpiece to be cut and that may be stuffed inside the hose may cause the hose suction blocking. When this occurs, change the cutting depth setting of power tool to deeper depth, which will relieve the hose suction blocking.

#### ⚠ CAUTION:

- When the dust bag is just new, dust may come out of its surface. Using it a few times will minimize the dust leak from the surface.

### Operation of the cleaner with a nozzle or a dust bag being installed

#### ⚠ WARNING:

- **Always be sure that the cleaner is switched off and the battery cartridge is removed before installing or removing the nozzle or any other attachment on the cleaner.** Failure to switch off and remove the battery cartridge may result in serious personal injury.

#### NOTE:

- Before the blower mode operation immediately after the cleaner mode operation, remove all remaining dust from the cleaner due to possible blow out of dust.

### Using as a blower (Fig. 15)

Install the nozzle onto the outlet (air vent) without fail.

**To install the nozzle, fit the pin protruding from the inside of nozzle to one of the cleaner notches and then turn the nozzle clockwise securely.**

**To remove the nozzle, turn counterclockwise and pull it out.**

**Direct the top point of the cleaner and then switch on.**

### Emptying the dust bag

#### ⚠ WARNING:

- **Always be sure that both the cleaner and a connected power tool are switched off and the battery cartridge is removed and the power tool, if corded tool, is unplugged before installing or**

removing the dust bag on the cleaner and emptying the dust bag (made of cloth). Failure to switch off, remove the battery cartridge and unplug the connected power tool may result in electric shock and serious personal injury.

- When the dust bag is about half full, remove the dust bag from the cleaner and pull the fastener out. Empty the dust bag of its contents, tapping it lightly so as to remove particles adhering to the insides which might hamper further collection.

**NOTE:**

- **For the time to empty the dust bag, use a guide line that the dust bag becomes full when drilling about 450 holes with 6.5 mm diameter and 40 mm depth on the concrete.** A dust bag clogged with the built up particles may reduce the dust collection power and cause damage to the cleaner motor.

**⚠ CAUTION:**

- **Attach the dust bag (made of cloth) to the dust bag joint securely and close the fastener completely before use.** Failure to attach the dust bag securely and close its fastener completely may cause blow-out of dust and result in serious personal injury. (Fig. 16)

Pick up the square section of the dust bag joint firmly, turn it counterclockwise and then remove the dust bag.

Open the fastener and dispose of the dust. (Fig. 17)

**⚠ CAUTION:**

- Remove all particles adhering to the fastener area.

## MAINTENANCE

**⚠ WARNING:**

- Always be sure that the cleaner is switched off and the battery cartridge is removed before attempting to perform inspection or maintenance.

### Cleaning the filter area

**⚠ CAUTION:**

- Do not pick up materials other than dust, such as stone, wood chip and the like since this cleaner is intended for dust collection. Picking up stone, wood chip and the like may cause damage to the fan and the cleaner. (Fig. 18)

**Check and clean up the filter area in the suction inlet regularly. Remove foreign objects which will obstruct suction.**

### Cleaning

From time to time wipe off the outside (cleaner body) of the cleaner using a cloth dampened in soapy water.

**⚠ CAUTION:**

- Never use gasoline, benzine, thinner, alcohol or the like. Discoloration, deformation or cracks may result.

To maintain product SAFETY and RELIABILITY, repairs, any other maintenance or adjustment should be performed by Makita Authorized Service Centers, always using Makita replacement parts.

## OPTIONAL ACCESSORIES

**⚠ CAUTION:**

- These accessories or attachments are recommended for use with your Makita cleaner specified in this manual. The use of any other accessories or attachments might present a risk of injury to persons. Only use accessory or attachment for its stated purpose.

If you need any assistance for more details regarding these accessories, ask your local Makita Service Center.

- Nozzles
- Dust bags
- Hoses
- Front cuffs
- Shoulder straps
- Makita genuine battery and charger

**NOTE:**

- Some items in the list may be included in the tool package as standard accessories. They may differ from country to country.

总图说明

- |            |          |             |
|------------|----------|-------------|
| 1. 红色部分    | 13. 锁钩   | 25. 安装      |
| 2. 按钮      | 14. 凸起   | 26. 装饰纸     |
| 3. 电池套管    | 15. 环    | 27. 锯片      |
| 4. 启动标记    | 16. 肩带   | 28. 底座      |
| 5. 指示灯     | 17. 两个锁钩 | 29. 切割深度    |
| 6. 检查按钮    | 18. 拉出   | 30. 石膏板     |
| 7. 高 / 低按钮 | 19. 缩短   | 31. 出口（通气口） |
| 8. 关按钮     | 20. 延长   | 32. 喷嘴      |
| 9. 出尘口     | 21. 电动工具 | 33. 销子      |
| 10. 集尘袋接头  | 22. 前袖口  | 34. 方形部分    |
| 11. 销子     | 23. 软管   | 35. 过滤区域    |
| 12. 集尘袋    | 24. 移除   |             |

规格

型号		DVC340	DVC350
性能	容量	3.0 L	
	最大气量	3.3 m³/min.	3.4 m³/min.
连续使用 (约)	高	4 min (带 BL1415)	6 min (带 BL1815)
		5 min (带 BL1415N)	7 min (带 BL1815N)
		-	8 min (带 BL1820/BL1820B)
		10 min (带 BL1430/BL1430B)	13 min (带 BL1830/BL1830B)
		13 min (带 BL1440)	18 min (带 BL1840/BL1840B)
		16 min (带 BL1450)	21 min (带 BL1850/BL1850B)
		20 min (带 BL1460B)	26 min (带 BL1860B)
	低	8 min (带 BL1415)	12 min (带 BL1815)
		10 min (带 BL1415N)	14 min (带 BL1815N)
		-	16 min (带 BL1820/BL1820B)
		20 min (带 BL1430/BL1430B)	26 min (带 BL1830/BL1830B)
		26 min (带 BL1440)	36 min (带 BL1840/BL1840B)
		33 min (带 BL1450)	42 min (带 BL1850/BL1850B)
		40 min (带 BL1460B)	52 min (带 BL1860B)
总长	403 mm		
净重 (带电池)	2.1 kg (BL1415/BL1415N)	2.2 kg (BL1815/BL1815N/ BL1820/ BL1820B)	
	2.3 kg (BL1430/BL1430B/ BL1440/BL1450/BL1460B)	2.4 kg (BL1830/BL1830B/ BL1840/BL1840B/BL1850/ BL1850B/BL1860B)	
额定电压	D. C. 14.4 V		D. C. 18 V

- 鉴于我司将持续实施研发计划，此处规格如有变更，恕不另行通知。
- 本产品在各个国家的规格和电池套管可能有所不同。
- 本产品（带电池套管）的重量符合 EPTA-01/2003 规程的标准

符号 END315-1

下列所示为用于设备的符号。请确保在使用前理解各个符号的含义。



..... 请阅读操作手册。

设计用途 ENE017-1

本工具设计用于收集粉尘。

ENA006-1

**警告：**本电器可由 8 岁以上的儿童和身体、感官或心智方面有障碍、或缺乏经验与知识的人员使用，但前提是他们受到监护或接受了本电器的相关安全使用指导并了解涉及的危险。禁止儿童玩耍本电器。禁止在没有监护的情况下由儿童进行清洁和用户维护。

## 电动工具一般安全警告 GEA006-2

**警告** 请仔细阅读所有的安全警告和操作指示。违反这些警告和指示可能导致触电、火灾和 / 或严重的人身伤害事故。

## 请妥善保存所有的警告和操作指示以备日后参考。

在该警告中的“电动工具”是指电网电源供电（接电源线）的电动工具或电池驱动（充电式）电动工具。

### 工作区域安全

1. 保持工作区域干净，照明良好。杂乱或黑暗的工作场所容易引发事故。
2. 不得在有爆炸性危险的环境（如存在易燃液体、气体和粉尘）中使用电动工具。操作电动工具时会产生火花，而这可能引燃粉尘或烟雾。
3. 操作电动工具时，请让儿童和旁观者远离工作区域。注意力分散可能导致操作失控。

### 电气安全

4. 电动工具的插头必须与插座相匹配。切勿以任何方式对插头进行改装。转接插头不得和接了地线的电动工具一起使用。未经改动的插头和相匹配的插座有利于减少电击危险。

5. 避免身体与接地的物体接触，如水管、散热器、电炉和电冰箱等。如果您的身体接地了，会增加电击的危险。
6. 不得将电动工具暴露在雨中或湿的环境中。如果有水进入电动工具将增加电击的危险。
7. 请勿不当使用电线。切勿用导线拖携工具或拔下电动工具的插头。将电线保存在远离高温、油垢、锐边或移动部件之处。损坏或缠绕的电线会增加电击危险。
8. 当在户外操作电动工具时，只能使用合适的户外专用延长电线。使用合适的户外专用电线将减少电击危险。
9. 如果不能避免在潮湿的环境中使用电动工具，请使用随供的漏电保护器（GFCI）。使用 GFCI 可减少电击危险。

### 人身安全

10. 操作电动工具时请保持警惕，注意您的操作并运用常识。疲惫、饮酒或服用毒品、药物之后，切勿操作电动工具。使用电动工具时只要稍微分心便可能导致严重的人身伤害事故。
11. 请使用个人劳防用品。总是佩戴护目镜。根据使用情况穿戴合适的防护装备，例如防尘面罩、止滑工作鞋、安全帽或耳罩，可降低人身伤害事故发生的几率。
12. 防止意外启动。在连接电源和 / 或电池组、拿起或搬运工具之前，请确保开关处于关闭位置。如果在提携电动工具时，您的手指触碰了开关，或连接电源时，开关仍然处于启动位置，都可能引发意外事故。
13. 电动工具开机前，除去任何调节工具或扳手。电动工具的旋转部件上如果还插有扳手或调节工具可能会导致人身伤害。
14. 避免错误的持机姿势。务必站稳并始终保持平衡。正确的操作姿势能够帮助您在突发状况下及时控制住电动工具。
15. 合理着装。请勿穿戴宽松的衣服或佩戴首饰。保持头发、衣服、手套等远离移动机件。宽松的衣服、首饰或长头发可能会被卡入移动机件中。

16. 如果能够在设备上安装除尘或集尘装置，确保这些装置已经安装并被正确使用。使用集尘装置可减少尘屑相关的危害。

### 电动工具使用和保养

17. 不要滥用电动工具。根据应用情况选择适合的电动工具。正确地选用电动工具可以在规定的功率范围中，更有效率更安全的操作机器。
18. 不要使用开关故障的电动工具。如果无法正常操控起停开关，极容易在操作机器时产生意外，必须进行修理。
19. 在调整机器设置、更换配件或存放电动工具前，必须先断开插头与电源的连接和 / 从电动工具中取出电池组。这些预防性的安全措施能减少意外启动电动工具的危险。
20. 将不用的电动工具保存在儿童接触不到的地方。禁止不熟悉电动工具或这些操作说明的人员使用电动工具。未经训练的人员操作电动工具是危险的行为。
21. 保养电动工具。检查运动部件是否有偏差或粘连，部件是否破损，以及其它它可能会影响工具运行的情况。如有损坏，使用前需修理完毕。很多事故都是由于没有对电动工具进行很好维护造成的。
22. 切割工具必须保持锋利和清洁。经过细心保养且刀刃锋利的切割工具不易被夹住，并较容易操作。
23. 使用电动工具、配件和刀头等时应考虑工作条件和要进行工作的性质，遵循相应的操作指示。将电动工具用于既定用途以外的目的时，可能会导致危险。

### 电池工具使用和保养

24. 仅使用制造商指定的充电器进行充电。适用于一种类型电池组的充电器如果用于其他电池组可能会引起火灾危险。
25. 使用电动工具时仅使用指定的电池组。使用任何其他电池组可能会引起人身伤害或火灾危险。
26. 当电池组未用时，请将其保存在远离金属物品之处，如回形针、硬币、钥匙、钉子、螺丝或其他小金属物体等。这些

物体可能会将电池的两个端子连在一起。短接电池端子可能会引起爆炸或火灾。

27. 如果使用不当可能从电池渗出液体。避免接触此类流动物体。如果意外接触到电池漏液，请用水冲洗。如果上述液体侵入眼睛必须即刻就医。从电池流出的液体会刺激或灼伤皮肤。

### 维修

28. 电动工具只能由有相关资质的维修人员进行修理，修理时只能使用原厂零配件。唯有如此才能确保电动工具的安全性。
29. 按照要求对配件进行润滑和更换。
30. 保持手柄干燥、清洁，避免油、脂污染。

## 充电式小型集尘器安全警告

ENB117-4

**△ 警告！重要** 使用前仔细阅读所有安全警告和操作指示。违反这些警告和指示可能导致触电、火灾和 / 或严重的人身伤害事故。

1. 必须充分指导操作员使用该集尘器。
2. 该集尘器不适合拾取有害粉尘。
3. 该集尘器仅供干燥情况下使用。
4. 该集尘器仅供室内使用。
5. 该集尘器只能存放于室内。
6. 不要拾取以下材料：
  - 热烫材料，如点燃的香烟或打磨 / 切割金属产生的火花 / 金属粉尘
  - 易燃材料，如汽油、稀释剂、挥发油、煤油或油漆
  - 易爆材料，如硝酸甘油
  - 可燃材料，如铝、锌、镁、钛、磷或赛璐珞
  - 湿污垢、水、油等
  - 有锋利边缘的坚硬件，如木屑、金属、石头、玻璃、钉子、别针或剃须刀
  - 粉末凝块，如水泥或碳粉
  - 导电粉尘，如金属或碳
  - 细颗粒，如混凝土灰尘此类行为可能导致火灾、伤害和 / 或财产损失。
7. 如果发现任何异常，请立即停止操作。
8. 不要靠近炉灶或其他热源。
9. 不要堵塞进气孔或通气孔。

10. 安装电池时，请勿离开集尘器。不使用时和维修前，请从电器中取出电池。
11. 不允许用作玩具。当儿童使用或靠近儿童使用时，必须密切注意。
12. 仅按本手册所述使用。仅使用制造商推荐的配件。
13. 不要将任何物体放入开口中。不要在任何开口堵塞的情况下使用；保持没有灰尘、棉绒、头发和任何可能降低气流的東西。
14. 在楼梯上清洗时要格外小心。
15. 当集尘器作为吹风机使用时
  - 操作时务必使用护目镜、帽子和面罩；
  - 清洁堵塞前，务必关闭集尘器电源，并拆下电池套管；
  - 斜坡时，务必注意您的脚；
  - 步行，禁止跑步；
  - 请勿将喷嘴对着周围的任何人；
  - 保持所有螺母、螺栓和螺钉拧紧，确保集尘器处于安全工作条件下；
  - 集尘器仅存放在干燥的地方；
  - 操作人员或使用人员将对他人或其财产发生的意外事故或危险负责。
3. 如果操作时间变得过短，立即停止操作。其可能导致过热、造成灼伤，甚至爆炸的危险。
4. 如果电解液进入您的双眼，用清水冲洗，并立即就医。其可能导致您的视力下降。
5. 请勿短接电池套管。
  - (1) 请勿使用任何导电材料接触端子。
  - (2) 避免在装有其它金属物体的容器内存放电池套管，例如钉子、硬币等。
  - (3) 不要将电池套管暴露在水或雨中。电池短路可能导致过大的电流、过热，可能造成灼伤，甚至发生故障。
6. 请勿将工具和电池套管存放于温度可能达到或超过 50°C (122°F) 的位置。
7. 即使电池套管严重损坏或完全磨损，也不要烧弃之。电池套管在火中可能爆炸。
8. 请小心，不要掉落或撞击电池。
9. 不要使用损坏的电池。
10. 所含锂离子电池符合《危险品立法》的要求。

对于商业运输（如通过第三方、运输代理），必须遵守包装和标签的特殊要求。对于要发运的物品准备，必须咨询危险材料方面的专家。也请遵守可能更加详细的相关国家规定。

缠绕或屏蔽开口触点，并包装好电池，让其不能在包装盒内移动。

## 妥善保存以备后用

### ⚠ 警告：

不要因为舒适或对产品熟悉（因重复使用而获得）而不严格遵守产品的安全准则。工具使用不当或未遵守本说明书所列的安全规则可能导致严重的人身伤害。

这种集尘器适用于家庭和商业用途，例如酒店、学校、医院、工厂、商店、办公室和租赁企业。

## 重要安全指导

ENC007-11

## 电池套管

1. 使用电池套管前，请阅读（1）电池充电器、（2）电池和（3）使用电池之产品上的所有指导说明和警戒标记。
2. 请勿拆开电池套管。

11. 请遵守当地关于电池处置的规定。

## 请保留此说明书。

### ⚠ 注意：仅使用牧田正品电池。

使用非牧田正品电池或改装后的电池，可导致电池爆炸，引起火灾，造成人员受伤和物品损坏。这还会丧失牧田对牧田工具和充电器的保修。

## 保持电池最大寿命的提示

1. 在电池套管完全放电前，进行充电。在您注意到工具功率下降时，务必停止操作工具，并给电池套管充电。
2. 切勿重新给完全充电的电池套管再次充电。过度充电会缩短电池使用寿命。



- 在 10°C - 40°C (50°F - 104°F) 的室温给电池套管充电。充电前，让灼热的电池套管冷却下来。
- 如果长期不使用（超过六个月），请充电电池套管。

## 功能说明

### ⚠ 注意：

- 在集尘器上调整和检查功能前，务必关闭集尘器电源并取下电池套管。

### 安装或拆卸电池套管（图 1）

- 插入或拆卸电池套管前，务必关闭集尘器的开关。
- 取出电池套管时，滑动套管前面的按钮，将其从集尘器收回，如图所示。
- 插入电池套管时，将电池套管上的凸榫对准外壳上的沟槽，并将其滑入到位。务必一直插入，直到其锁定在位，这时候会响起微弱的“咔哒”声。如果能看见按钮上侧的红色部分，则表示没有完全锁紧。完全插入，直到不能看到红色部分。否则，其可能意外从集尘器中掉出，导致您或您周围的人员受到伤害。
- 插入电池套管时，请勿用力。如果电池套管没有轻松地滑入，表明其可能没有正确插入。

### 电池保护系统

为了延长使用寿命，保护系统将自动切断输出电力。

如果集尘器和 / 或电池处于以下状况时，集尘器将在运行期间停止。

这将引起保护系统启动，但并不表示是集尘器故障。

- 当集尘器过载时：
 

此时，按“OFF”（关）按钮并消除过载原因，然后再次按“HIGH/LOW”（高 / 低）按钮重新启动。
- 当电池变热时：（请参阅下面的注释。）
 

如果“HIGH / LOW”（高 / 低）按钮和“OFF”（关）按钮有任何操作，电机将保持停止状态。此时，从集尘器中取出电池后，请停止使用集尘器并冷却或为电池套管充电。
- 当剩余的电池电量变低时：

如果“HIGH/LOW”（高 / 低）按钮和“OFF”（关）按钮有任何操作，电机将保持停止状态。此时，从集尘器中取出电池套管并进行充电。

### 注：

- 仅当集尘器与带星号的电池套管一起使用时，才应使用此温度敏感保护。（图 2）

### 指示剩余的电池电量

（仅限型号以“B”结尾的电池套管。）

### （图 3）

按下电池套管上的检查按钮以指示剩余电池容量。指示灯亮起几秒钟。

指示灯			剩余电量
亮起	熄灭	闪烁	
■	□	▧	75% 至 100%
■ ■ ■ ■			
■ ■ ■ □			50% 至 75%
■ ■ □ □			25% 至 50%
■ □ □ □			0% 至 25%
▧ □ □ □			电池充电。
■ ■ □ □	↑	↓	电池可能有故障。
□ □ ■ ■			

015658

### 注：

- 根据使用条件和环境温度，指示可能与实际电量稍有不同。

### 开关操作（图 4）

如要启动集尘器，只需按“HIGH/LOW”（高 / 低）按钮。如要关闭，按下“OFF”（关）按钮。如要变更集尘器速度，按下“HIGH/LOW”（高 / 低）按钮。第一次按下此按钮用于高速，第二次按下用于低速，然后每次按下此按钮交替重复高 / 低速循环。

# 组装

## ⚠ 注意：

- 在集尘器上执行任何工作前，务必关闭集尘器电源并取下电池套管。
- 将电池套管安装在集尘器上的任何工作都可能导致人员受伤或损坏集尘器周围的物体。

## 安装集尘袋（图 5）

握住集尘袋接头的方形部分，将集尘袋接头内的销钉装到集尘器出尘口的槽口，然后插入并顺时针旋转直到停止。（图 6）此时，确保集尘袋上的扣件朝上。

## 注：

- 当集尘袋接头和集尘袋内的环脱落时，请按照以下步骤安装。
  - （1）将集尘袋接头与集尘袋的接缝对齐，并将其安装成凸起朝上。（图 7）
  - （2）牢牢拧紧防尘袋内的环，使销和环如图所示定位。（图 8）

## 安装肩带（图 9）

将肩带的一端的锁钩挂在集尘器前部的环上，并将肩带的另一端穿过集尘袋的带子，然后连接另一端的锁钩，如图所示。

## 调整肩带（图 10）

如要调整肩带的长度，请将其拉出所需长度，然后沿箭头方向拉动肩带，如图所示。

## 连接软管

## ⚠ 注意：

- 不要强迫软管弯曲和 / 或冲压。强制和 / 或冲压软管可能导致软管变形或损坏。
- 不要拉软管来带动集尘器。拉软管可能会导致软管变形或损坏。（图 11）

将软管的“A”端插入集尘器的吸入口，然后顺时针旋转直至其锁定。

将袖口安装在软管的“B”端，然后将其连接到电动工具的出尘口。

## 更换前袖口

根据所用电动工具的出尘口尺寸更换软管的前袖口。（图 12）

如要取下前袖口，请握住软管并逆时针转动。

如要安装前袖口，请顺时针旋转，然后将其拧入，直至停止。

# 操作

## ⚠ 警告：

- 在高空工作时，请勿使用肩带。
- 当将本集尘器作为固定式集尘器使用时，请将其放在平稳的表面上。

## 小型集尘器（图 13）

当将本集尘器作为便携式集尘器使用时，将肩带交叉悬挂在胸前，使集尘器难以掉落。（图 14）

## 注：

- 石膏板切割作业可能产生的长切割装饰纸（根据待切割工件的条件），以及可能堵在软管内部的装饰纸，都可能导致软管吸入阻塞。发生这种情况时，将电动工具的切割深度设置改为更深的深度，这将减轻软管吸入阻塞。

## ⚠ 注意：

- 当集尘袋还是新的时，灰尘可能从其表面流出。使用几次后可以最大限度地减少表面的灰尘泄漏。

## 安装有喷嘴或集尘袋的集尘器的操作

## ⚠ 警告：

- 安装或拆卸集尘器喷嘴或任何其他配件前，务必关闭集尘器开关并取下电池套管。未能关闭并取出电池套管可能会导致严重的人身伤害。

## 注：

- 集尘器模式操作后立即进行鼓风机模式操作前，清除可能因灰尘吹出而残留的所有灰尘。

## 用作鼓风机（图 15）

务必将喷嘴安装到出口（通风口）上。

如要安装喷嘴，将从喷嘴内部突出的销钉装到其中一个集尘器槽口，然后顺时针转动喷嘴拧紧。

如要取下喷嘴，逆时针转动并将其拉出。

指示集尘器的顶点，然后打开电源。



## 清空集尘袋

### ⚠ 警告:

- 安装或拆除集尘器的集尘袋并清空集尘袋（布制）前，务必确保关闭清洁器和连接的电动工具电源并取下电池套管，拔下电动工具（如为有线工具）。未能关闭电源、取出电池套管和拔下连接的电动工具可能会导致触电和严重的人身伤害。
- 当集尘袋大约装了一半时，从集尘器中取出集尘袋并将扣件拉出。清空集尘袋的内容物，轻轻敲打，除去附着在内部的颗粒，这可能妨碍进一步收集。

### 注:

- 清空集尘袋时，使用一根导线，当钻了约 450 个直径 6.5 mm、深度 40 mm 的混凝土孔时，集尘袋会变满。被积聚颗粒堵塞的集尘袋可能会降低集尘能力并导致集尘器电机损坏。

### ⚠ 注意:

- 将集尘袋（布制成）牢固地安装在集尘袋接头上，并在使用前完全合上扣件。未能牢固地安装集尘袋并完全关闭其扣件，可能会导致灰尘吹出并导致严重的人身伤害。（图 16）

牢牢拿起集尘袋接头的方形部分，逆时针转动，然后取下集尘袋。

打开扣件并处理灰尘。（图 17）

### ⚠ 注意:

- 除去粘附在扣件区域的所有颗粒。

## 维护

### ⚠ 警告:

- 尝试进行检查或维护前，务必关闭集尘器电源，并拆下电池套管。

## 清洁过滤器区域

### ⚠ 注意:

- 不要拾取除灰尘之外的材料，例如石头、木屑等，因为这种集尘器设计用于收集灰尘。拾取石头、木屑等可能会损坏风扇和集尘器。（图 18）

定期检查并清洁吸入口的过滤区域。去除会阻碍抽吸的异物。

## 清理

随时使用抹布蘸取肥皂水清洁集尘器外部（集尘器机身）。

### ⚠ 注意:

- 不得使用汽油、苯、稀释剂、酒精或其它类似产品。否则可能出现退色、变形或裂缝。

为了保持产品的安全和可靠性，维修或其它任何维护和调整工作应当由牧田授权维修中心进行，且务必使用牧田的替换零件。

## 选配附件

### ⚠ 注意:

- 这些配件或附件建议用于本手册指定的牧田集尘器。使用任何其它配件或附件可能有造成人身伤害的危险。配件或附件仅可用于指明的目的。

如果您需要有关这些配件的更多详细信息或需要帮助，请与当地的牧田维修中心联系。

- 喷嘴
- 集尘袋
- 软管
- 前袖口
- 肩带
- 牧田正品电池或充电器

### 注:

- 列表中的某些物品可能已经作为标准附件包括在了工具包装中。它们可能在不同国家各异。

# BAHASA INDONESIA (Petunjuk Asli)

## Penjelasan tampilan keseluruhan

- |  |                        |                                     |
|--|------------------------|-------------------------------------|
| 1. Bagian merah                        | 12. Kantung debu       | 24. Lepas                           |
| 2. Tombol                              | 13. Kait               | 25. Pasang                          |
| 3. Kartrid baterai                     | 14. Tonjolan           | 26. Kertas dekoratif                |
| 4. Tanda gambar bintang                | 15. Cincin             | 27. Bilah gergaji                   |
| 5. Lampu indikator                     | 16. Tali bahu          | 28. Dasar                           |
| 6. Tombol cek                          | 17. Dua kait           | 29. Kedalaman pemotongan            |
| 7. Tombol HIGH/LOW (TINGGI/<br>RENDAH) | 18. Tarik keluar       | 30. Papan eternit                   |
| 8. Tombol OFF (MATI)                   | 19. Untuk memperpendek | 31. Lubang keluar (ventilasi udara) |
| 9. Lubang keluar debu                  | 20. Untuk mengulur     | 32. Nozel                           |
| 10. Sambungan kantung debu             | 21. Mesin listrik      | 33. Pasak                           |
| 11. Pasak                              | 22. Manset depan       | 34. Bagian bujur sangkar            |
|  | 23. Slang              | 35. Area filter                     |

## SPEKIFIKASI

Model		DVC340	DVC350
Kapasitas	Volume	3,0 L	
	Volume udara maks.	3,3 m <sup>3</sup> /menit.	3,4 m <sup>3</sup> /menit.
Penggunaan berkesinambungan (Sekitar)	HIGH (TINGGI)	4 menit. (dengan BL1415)	6 menit. (dengan BL1815)
		5 menit. (dengan BL1415N)	7 menit. (dengan BL1815N)
		–	8 menit. (dengan BL1820/BL1820B)
		10 menit. (dengan BL1430/BL1430B)	13 menit. (dengan BL1830/BL1830B)
		13 menit. (dengan BL1440)	18 menit. (dengan BL1840/BL1840B)
		16 menit. (dengan BL1450)	21 menit. (dengan BL1850/BL1850B)
	LOW (RENDAH)	20 menit. (dengan BL1460B)	26 menit. (dengan BL1860B)
		8 menit. (dengan BL1415)	12 menit. (dengan BL1815)
		10 menit. (dengan BL1415N)	14 menit. (dengan BL1815N)
		–	16 menit. (dengan BL1820/BL1820B)
		20 menit. (dengan BL1430/BL1430B)	26 menit. (dengan BL1830/BL1830B)
		26 menit. (dengan BL1440)	36 menit. (dengan BL1840/BL1840B)
		33 menit. (dengan BL1450)	42 menit. (dengan BL1850/BL1850B)
		40 menit. (dengan BL1460B)	52 min (dengan BL1860B)
Panjang keseluruhan		403 mm	
Berat bersih (dengan baterai)	2,1 kg (BL1415/BL1415N)	2,2 kg (BL1815/BL1815N/BL1820/BL1820B)	
	2,3 kg (BL1430/BL1430B/BL1440/BL1450/BL1460B)	2,4 kg (BL1830/BL1830B/BL1840/BL1840B/BL1850/BL1850B/BL1860B)	
Tegangan yang sesuai		D.C. 14,4 V	

- Karena kesinambungan program penelitian dan pengembangan kami, spesifikasi yang disebutkan di sini dapat berubah tanpa pemberitahuan.
- Spesifikasi dan kartrid baterai dapat berbeda dari satu negara ke negara lainnya.
- Berat, dengan kartrid baterai, menurut Prosedur EPTA 01/2003

### Simbol-simbol

END315-1

ENA006-1

Berikut ini adalah simbol-simbol yang digunakan pada mesin ini. Pastikan Anda mengerti makna masing-masing simbol sebelum menggunakan mesin ini.



..... Baca petunjuk penggunaan.

### Maksud penggunaan

ENE017-1

Mesin ini dimaksudkan untuk mengumpulkan debu kering.

**PERINGATAN:** Perkakas ini dapat digunakan oleh anak-anak berusia 8 tahun ke atas dan orang dengan kemampuan fisik, indera, atau mental kurang, atau yang kurang pengalaman dan pengetahuan jika mereka mendapat pengawasan atau telah diberi pelatihan mengenai penggunaan perkakas ini secara aman dan memahami bahaya-bahaya yang terkait dengannya. Anak-anak hendaknya tidak bermain-main dengan

perkakas ini. Pembersihan dan perawatan oleh pengguna tidak boleh dilakukan oleh anak-anak tanpa pengawasan.

## Peringatan Keselamatan Umum Mesin Listrik

GEA006-2

**⚠ PERINGATAN** Bacalah semua peringatan keselamatan dan semua petunjuk. Kelalaian mematuhi peringatan dan petunjuk dapat menyebabkan sengatan listrik, kebakaran dan/atau cedera serius.

## Simpanlah semua peringatan dan petunjuk untuk acuan di masa depan.

Istilah "mesin listrik" dalam semua peringatan mengacu pada mesin listrik yang dijalankan dengan sumber listrik jala-jala (berkabel) atau baterai (nirkabel).

### Keselamatan tempat kerja

1. **Jagalah tempat kerja selalu bersih dan berpenerangan cukup.** Tempat yang berantakan atau gelap mengundang kecelakaan.
2. **Jangan mengoperasikan mesin listrik dalam atmosfer yang mudah meledak, seperti bila ada cairan, gas, atau debu mudah menyala.** Mesin listrik menimbulkan percikan api yang dapat menyalaakan debu atau uap tersebut.
3. **Jauhkan anak-anak dan mereka yang tidak berkepentingan saat menggunakan mesin listrik.** Bila perhatian terpecah, Anda dapat kehilangan kendali.

### Keamanan kelistrikan

4. **Steker mesin listrik harus cocok dengan stopkontak. Jangan sekali-kali mengubah steker dengan cara apa pun. Jangan menggunakan steker adaptor dengan mesin listrik berarde (dibumikan).** Steker yang tidak diubah dan stopkontak yang cocok akan mengurangi risiko sengatan listrik.
5. **Hindari sentuhan tubuh dengan permukaan berarde atau yang dibumikan seperti pipa, radiator, kompor, dan kulkas.** Risiko sengatan listrik bertambah jika tubuh Anda terbumikan atau berarde.
6. **Jangan membiarkan mesin listrik keuhujan atau kebasahan.** Air yang masuk ke dalam mesin listrik akan meningkatkan risiko sengatan listrik.
7. **Jangan menyalahgunakan kabel. Jangan sekali-kali menggunakan kabel untuk membawa, menarik, atau mencabut mesin listrik dari stopkontak. Jauhkan kabel dari panas, minyak, tepian tajam, atau bagian yang bergerak.** Kabel yang rusak atau kusut memperbesar risiko sengatan listrik.
8. **Bila menggunakan mesin listrik di luar ruangan, gunakan kabel ekstensi yang sesuai untuk penggunaan di luar ruangan.** Penggunaan kabel yang sesuai untuk penggunaan luar ruangan mengurangi risiko sengatan listrik.
9. **Jika mengoperasikan mesin listrik di lokasi lembap tidak dapat dihindari, gunakan pasokan daya yang dilindungi piranti pemutus arus kegagalan arde (ground fault circuit interrupter -**

GFCI). Penggunaan GFCI mengurangi risiko sengatan listrik.

### Keselamatan diri

10. **Jaga kewaspadaan, perhatikan pekerjaan Anda dan gunakan akal sehat bila menggunakan mesin listrik. Jangan menggunakan mesin listrik saat Anda lelah atau berada di bawah pengaruh obat bius, alkohol, atau sedang menjalani pengobatan.** Sekejap saja lalai saat menggunakan mesin listrik dapat menyebabkan cedera diri yang serius.
  11. **Gunakan alat pelindung diri. Selalu kenakan pelindung mata.** Peralatan pelindung seperti masker debu, sepatu pengaman anti-selip, helm pengaman, atau pelindung telinga yang digunakan untuk kondisi yang sesuai akan mengurangi risiko cedera.
  12. **Cegah penyakalan yang tidak disengaja. Pastikan bahwa sakelar berada dalam posisi mati (off) sebelum menghubungkan mesin ke sumber daya dan/atau baterai, atau mengangkat atau membawanya.** Membawa mesin listrik dengan jari menempel pada sakelar atau mengalirkan arus listrik pada mesin listrik yang sakelarnya hidup (on) akan mengundang kecelakaan.
  13. **Lepaskan kunci-kunci penyetel sebelum menghidupkan mesin listrik.** Kunci-kunci yang masih terpasang pada bagian mesin listrik yang berputar dapat menyebabkan cedera.
  14. **Jangan meraih terlalu jauh. Jagalah pijakan dan keseimbangan sepanjang waktu.** Hal ini memungkinkan kendali yang lebih baik atas mesin listrik dalam situasi yang tidak diharapkan.
  15. **Kenakan pakaian yang sesuai. Jangan memakai pakaian yang kedodoran atau perhiasan. Jauhkan rambut, pakaian, dan sarung tangan dari bagian mesin yang bergerak.** Pakaian kedodoran, perhiasan, atau rambut panjang dapat tersangkut pada bagian yang bergerak.
  16. **Jika tersedia fasilitas untuk menghisap dan mengumpulkan debu, pastikan fasilitas tersebut terhubung listrik dan digunakan dengan baik.** Penggunaan pembersih debu dapat mengurangi bahaya yang terkait dengan debu.
- ### Penggunaan dan pemeliharaan mesin listrik
17. **Jangan memaksa mesin listrik. Gunakan mesin listrik yang tepat untuk keperluan Anda.** Mesin listrik yang tepat akan menuntaskan pekerjaan dengan lebih baik dan aman pada kecepatan sesuai rancangannya.
  18. **Jangan gunakan mesin listrik jika sakelar tidak dapat menghidupkan dan mematikannya.** Mesin listrik yang tidak dapat dikendalikan dengan sakelarnya adalah berbahaya dan harus diperbaiki.
  19. **Cabut steker dari sumber listrik dan/atau baterai dari mesin listrik sebelum melakukan penyetelan, penggantian aksesoris, atau menyimpan mesin listrik.** Langkah keselamatan preventif tersebut mengurangi risiko hidupnya mesin secara tak sengaja.
  20. **Simpan mesin listrik jauh dari jangkauan anak-anak dan jangan biarkan orang yang tidak paham mengenai mesin listrik tersebut atau petunjuk ini menggunakan mesin listrik.** Mesin listrik sangat berbahaya di tangan pengguna yang tak terlatih.

21. **Rawatlah mesin listrik. Periksa apakah ada bagian bergerak yang tidak lurus atau macet, bagian yang pecah dan kondisi lain yang dapat mempengaruhi penggunaan mesin listrik. Jika rusak, perbaiki dahulu mesin listrik sebelum digunakan.** Banyak kecelakaan disebabkan oleh kurangnya pemeliharaan mesin listrik.
22. **Jaga alat pemotong selalu tajam dan bersih.** Alat pemotong yang terawat baik dengan mata pemotong yang tajam tidak mudah macet dan lebih mudah dikendalikan.
23. **Gunakan mesin listrik, aksesoris, dan mata mesin, dll. sesuai dengan petunjuk ini, dengan memperhitungkan kondisi kerja dan jenis pekerjaan yang dilakukan.** Penggunaan mesin listrik untuk penggunaan yang lain dari peruntukan dapat menimbulkan situasi berbahaya.

#### **Penggunaan dan pemeliharaan mesin listrik baterai**

24. **Isi ulang baterai hanya dengan pengisi baterai (charger) yang ditentukan oleh pabrik pembuat mesin.** Pengisi baterai yang cocok untuk suatu jenis baterai dapat menimbulkan risiko kebakaran bila digunakan dengan baterai yang lain.
25. **Gunakan mesin listrik hanya dengan baterai yang khusus ditentukan untuknya.** Penggunaan baterai yang lain dapat menimbulkan risiko cedera dan kebakaran.
26. **Bila baterai tidak sedang digunakan, jauhkanlah dari benda logam lain, seperti klip kertas, koin, kunci, paku, sekrup, atau benda logam kecil lainnya, yang dapat menjadi penghubung antara terminal-terminalnya.** Menghubungsingkatkan terminal-terminal baterai dapat menyebabkan luka bakar atau kebakaran.
27. **Bila disalahgunakan, baterai dapat mengeluarkan cairan; hindari terkena cairan ini. Jika terkena cairan ini secara tidak sengaja, bilaslah dengan air. Jika cairan mengenai mata, setelah dibilas, mintalah bantuan medis.** Cairan yang keluar dari baterai dapat menyebabkan iritasi atau luka bakar.

#### **Servis**

28. **Berikan mesin listrik untuk diperbaiki hanya kepada teknisi yang berkualifikasi dengan menggunakan hanya suku cadang pengganti yang serupa.** Hal ini akan menjamin terjaganya keamanan mesin listrik.
29. **Patuhi petunjuk pelumasan dan penggantian aksesoris.**
30. **Jagalah agar gagang kering, bersih, dan bebas dari minyak dan gemuk.**

## **PERINGATAN KESELAMATAN MESIN PEMBERSIH VAKUM NIRKABEL**

ENB117-4

**⚠ PERINGATAN! PENTING BACALAH DENGAN CERMAT semua peringatan keselamatan dan semua petunjuk SEBELUM MENGGUNAKAN.** Kelalaian mematuhi peringatan dan petunjuk dapat menyebabkan sengatan listrik, kebakaran dan/atau cedera serius.

1. **Operator harus mendapatkan petunjuk yang memadai mengenai penggunaan mesin pembersih ini.**

2. **Mesin pembersih ini tidak sesuai untuk mengumpulkan debu berbahaya.**
3. **Mesin pembersih ini hanya untuk penggunaan kering.**
4. **Mesin pembersih ini hanya untuk penggunaan di dalam ruangan.**
5. **Mesin pembersih ini harus disimpan hanya di dalam ruangan.**
6. **Jangan menyedot bahan-bahan berikut:**
  - Bahan panas seperti rokok yang menyala atau sisa-sisa bunga api/logam yang berasal dari pekerjaan penggerindaan/pemotongan logam
  - Bahan mudah menyala seperti bensin, tiner, minyak tanah, atau cat
  - Bahan mudah meledak seperti nitrogliserin
  - Bahan mudah tersulut seperti Aluminium, seng, magnesium, titanium, fosfor, atau seluloid
  - Kotoran basah, air, minyak, atau bahan serupa
  - Potongan benda keras dengan tepian tajam, seperti tatal kayu, logam, batu, kaca, kuku, pin, atau pisau cukur
  - Bubuk yang bisa menyumbat seperti semen atau zat warna (toner)
  - Debu konduktif seperti logam atau karbon
  - Partikel halus seperti debu beton
7. **Tindakan demikian dapat menyebabkan kebakaran, cedera, dan/atau kerusakan harta benda.**
7. **Hentikan penggunaan segera jika Anda melihat sesuatu yang tidak normal.**
8. **Jangan membawanya ke dekat kompor atau sumber panas lainnya.**
9. **Jangan memblokir/menutupi lubang masuk atau lubang keluar udara.**
10. **Jangan meninggalkan mesin pembersih bila baterainya terpasang. Lepaskan baterai dari perkakas bila tidak digunakan dan sebelum menyervisnya.**
11. **Jangan biarkan mesin digunakan sebagai mainan. Beri perhatian penuh bila mesin digunakan oleh atau di dekat anak-anak.**
12. **Gunakan hanya sebagaimana diuraikan dalam buku petunjuk ini. Gunakan hanya alat tambahan yang disarankan oleh pabrik pembuat.**
13. **Jangan memasukkan benda apa pun ke lubang-lubang mesin. Jangan gunakan bila ada lubang mesin yang terblokir/tertutup; jaga mesin bebas dari debu, serat, rambut, dan apa pun yang dapat menghambat aliran udara.**
14. **Ekstra hati-hatilah saat membersihkan undak-undakan tangga.**
15. **Saat menggunakan mesin pembersih ini sebagai peniup**
  - selalu kenakan kacamata pelindung, topi, dan masker saat mengoperasikannya;
  - selalu pastikan bahwa mesin pembersih dalam keadaan mati dan kartrid baterainya telah dilepas sebelum membersihkan sumbatan;
  - selalu pastikan pijakan Anda aman di atas permukaan yang miring;
  - berjalanlah, jangan berlari;
  - jangan sekali-kali mengarahkan nozel kepada siapa pun di dekat Anda;

- Jaga semua mur, baut, dan sekrup kencang untuk memastikan bahwa mesin pembersih berada dalam kondisi kerja yang aman;
- Simpan mesin pembersih hanya di tempat yang kering.
- Operator atau pengguna bertanggung jawab atas kecelakaan atau bahaya yang terjadi pada orang lain atau harta benda mereka.

## SIMPANLAH UNTUK ACUAN DI MASA MENDATANG

**⚠ PERINGATAN:**  
**JANGAN** biarkan kenyamanan atau terbiasanya Anda dengan produk (karena penggunaan berulang) menggantikan kepatuhan yang ketat terhadap aturan keselamatan untuk produk yang terkait.  
**PENYALAHGUNAAN** atau kelalaian mematuhi kaidah keselamatan yang tertera dalam petunjuk ini dapat menyebabkan cedera badan serius.

Mesin pembersih ini dimaksudkan untuk penggunaan dalam rumah tangga maupun dalam lingkungan komersial seperti hotel, sekolah, rumah sakit, pabrik, bengkel, kantor, dan usaha penyewaan.

## PETUNJUK KESELAMATAN PENTING

ENC007-11

### UNTUK KARTRID BATERAI

1. Sebelum menggunakan kartrid baterai, bacalah semua petunjuk dan tanda peringatan pada (1) pengisi baterai, (2) baterai, dan (3) produk yang menggunakan baterai.
2. Jangan membongkar kartrid baterai.
3. Jika waktu pengoperasian telah menjadi terlalu singkat, segera hentikan pengoperasian. Keadaan tersebut dapat mengakibatkan risiko timbulnya panas berlebihan, kemungkinan luka bakar, dan bahkan ledakan.
4. Jika ada elektrolit yang masuk ke mata, bilaslah sampai bersih dengan air bersih dan segera cari bantuan medis. Hal itu dapat mengakibatkan hilangnya penglihatan.
5. Jangan menghubingsingkatkan (mengkorsletkan) kartrid baterai:
  - (1) Jangan menyentuh terminal-terminalnya dengan bahan konduktif.
  - (2) Hindari menyimpan kartrid baterai dalam wadah bersama dengan benda logam lainnya seperti paku, koin, dll.
  - (3) Jangan biarkan kartrid baterai terkena air atau hujan.

Hubungan singkat baterai dapat menyebabkan aliran arus yang besar, panas berlebihan, kemungkinan luka bakar, dan bahkan kerusakan permanen.
6. Jangan menyimpan mesin ini dan kartrid baterai di tempat yang suhunya dapat mencapai atau melebihi 50°C (122°F).
7. Jangan membakar kartrid baterai bahkan meskipun kartrid sudah rusak parah atau benar-

- benar rusak. Kartrid baterai dapat meledak di dalam api.
8. Berhati-hatilah agar baterai tidak sampai terjatuh atau terpukul.
  9. Jangan menggunakan baterai yang rusak.
  10. Baterai litium-ion yang disertakan bersama produk tunduk pada persyaratan Perundangan mengenai Barang Berbahaya. Untuk pengangkutan komersial misalnya oleh pihak ketiga, perusahaan ekspedisi, persyaratan khusus mengenai kemasan dan pelabelan harus dipatuhi. Untuk persiapan item yang dikirimkan, konsultasi dengan ahli bahan berbahaya wajib dilakukan. Juga, patuhilah peraturan nasional yang kemungkinan lebih terperinci. Isolasi atau selubungi kontak yang terbuka dan kemas baterai dengan cara yang membuatnya tidak dapat bergerak di dalam kemasan.
  11. Ikutilah peraturan setempat terkait pembuangan baterai.

## SIMPAN PETUNJUK INI.

**⚠ PERHATIAN:** Gunakan hanya baterai asli Makita. Penggunaan baterai non-asli Makita, atau baterai yang sudah diubah, dapat mengakibatkan baterai meledak dan menyebabkan kebakaran, cedera, serta kerusakan. Hal itu juga akan membuat garansi Makita untuk mesin dan pengisi baterai Makita hangus.

### Kiat untuk mempertahankan usia pakai baterai maksimum

1. Isilah kembali kartrid baterai sebelum baterai sepenuhnya habis. Selalu hentikan pengoperasian mesin dan isi kartrid baterai saat Anda merasakan bahwa tenaga mesin telah berkurang.
2. Jangan sekali-kali mengisi ulang kartrid baterai yang telah terisi penuh. Mengisi baterai terlalu banyak akan memperpendek usia pakai baterai.
3. Isilah kartrid baterai dalam ruangan bersuhu antara 10°C - 40°C (50°F - 104°F). Biarkan kartrid baterai yang panas mendingin lebih dahulu sebelum mengisinya.
4. Isilah kartrid baterai jika Anda akan tidak menggunakannya untuk waktu yang lama (lebih dari enam bulan).

## DESKRIPSI FUNGSIONAL

**⚠ PERHATIAN:**  
 • Selalu pastikan bahwa mesin pembersih dalam keadaan mati dan kartrid baterainya telah dilepas sebelum menyetel atau memeriksa fungsi pembersih.

### Memasang atau melepaskan kartrid baterai (Gb. 1)

- Selalu matikan pembersih sebelum memasukkan atau mengeluarkan kartrid baterai.
- Untuk mengeluarkan kartrid baterai, tariklah kartrid dari pembersih sambil menggeser tombol pada bagian depan kartrid seperti diperlihatkan dalam gambar.

- Untuk memasukkan kartrid baterai, luruskan lidah pada kartrid baterai dengan alur pada rumah mesin dan dorong masuk kartrid ke tempatnya. Selalu masukkan kartrid sepenuhnya sampai terkunci di tempatnya yang ditandai suara klik. Jika Anda dapat melihat bagian merah di sisi atas tombol, berarti baterai belum terkunci sepenuhnya. Masukkanlah sepenuhnya sampai bagian warna merah tidak terlihat. Jika tidak, baterai dapat terlepas dan jatuh dari pembersih, sehingga menyebabkan cedera pada Anda atau orang lain di sekitar Anda.
- Jangan mendorong paksa kartrid baterai saat memasukkannya. Jika kartrid tidak dapat terdorong masuk dengan mudah, berarti posisi memasukkannya belum tepat.

## Sistem perlindungan baterai

Mesin pembersih dilengkapi dengan sistem perlindungan, yang secara otomatis mematikan keluaran daya demi mempertahankan usia pakai yang panjang.

Mesin pembersih akan berhenti beroperasi apabila mesin pembersih dan/atau baterai ditempatkan dalam keadaan berikut ini.

- Ini disebabkan oleh teraktifkannya sistem perlindungan dan tidak menunjukkan masalah pada pembersih.
- Bila pembersih mengalami kelebihan beban: Pada saat ini, tekanlah tombol "OFF" (MATI) dan bereskan penyebab kelebihan beban lalu tekan tombol "HIGH/LOW" (TINGGI/RENDAH) lagi untuk menghidupkan ulang mesin.
- Bila sel baterai menjadi panas: (lihat catatan di bawah ini.)  
Jika mengopreasikan tombol "HIGH/LOW" (TINGGI/RENDAH) dan "OFF" (MATI), motor akan tetap berhenti. Pada saat demikian, hentikan penggunaan pembersih dan dinginkan atau isi kartrid baterai setelah melepaskannya dari pembersih.
- Bila kapasitas baterai yang tersisa tinggal sedikit: Jika mengopreasikan tombol "HIGH/LOW" (TINGGI/RENDAH) dan "OFF" (MATI), motor akan tetap berhenti. Pada saat demikian, lepaskan kartrid baterai dari pembersih dan isi ulang baterai.

### CATATAN:

- Perlindungan yang peka-suhu ini diterapkan hanya bila pembersih digunakan dengan kartrid baterai yang memiliki tanda gambar bintang. **(Gb. 2)**

## Menunjukkan kapasitas baterai yang tersisa

(Hanya untuk kartrid baterai dengan huruf "B" pada akhir nomor modelnya.) **(Gb. 3)**

Tekan tombol cek pada kartrid baterai untuk menunjukkan kapasitas baterai yang tersisa. Lampu indikator menyala selama beberapa detik.

Lampu indikator			Kapasitas tersisa
Menyala	Mati	Berkedip	
■ ■ ■ ■			75% sampai 100%
■ ■ ■ □			50% sampai 75%
■ ■ □ □			25% sampai 50%
■ □ □ □			0% sampai 25%
◻ □ □ □			Isilah baterai.
■ ■ □ □	↑ ↓	■ ■	Baterai mungkin telah rusak/malfungsi.

015658

### CATATAN:

- Tergantung pada kondisi penggunaan dan suhu udara sekitar, tampilan indikasi dapat sedikit berbeda dengan kapasitas sesungguhnya.

## Kerja sakelar (Gb. 4)

Untuk menghidupkan pembersih, cukup tekan tombol "HIGH/LOW". Untuk mematikan, tekan tombol "OFF". Untuk mengubah kecepatan mesin pembersih, tekan tombol "HIGH/LOW". Penekanan pertama tombol ini adalah untuk kecepatan tinggi dan penekanan kedua adalah untuk kecepatan rendah dan setelah itu setiap penekanan tombol ini akan mengulangi siklus kecepatan tinggi/rendah secara bergantian.

## PERAKITAN

### ⚠ PERHATIAN:

- Selalu pastikan bahwa mesin pembersih dalam keadaan mati dan kartrid baterainya dilepas sebelum melakukan pekerjaan apa pun pada mesin pembersih.
- Pekerjaan apa pun yang dilakukan dengan kartrid baterai terpasang pada pembersih dapat menyebabkan cedera atau kerusakan pada benda-benda di sekitar pembersih.

## Memasang kantong debu (Gb. 5)

Tahan bagian bujur sangkar sambungan kantong debu dan paskan pasak-pasak di dalam sambungan kantong debu dengan takik-takik di lubang keluar debu mesin pembersih dan kemudian masukkan lalu putar searah jarum jam sepenuhnya sampai berhenti. **(Gb. 6)**  
Pada saat ini, pastikan bahwa bagian pengencang pada kantong debu menghadap ke atas.

### CATATAN:

- Bila sambungan kantong debu dan cincin di dalam kantong debu terlepas, pasanglah seperti berikut.
  - (1) Luruskan sambungan kantong debu dengan jahitan kantong debu dan pasanglah sedemikian sehingga tonjolannya menghadap ke atas. **(Gb. 7)**

- (2) Kencangkan cincin di dalam kantong debu kuat-kuat sehingga pasak-pasak dan cincinnya terposisikan seperti diperlihatkan dalam gambar. (Gb. 8)

#### ⚠ PERHATIAN:

- Jika kantong debu masih baru, debu dapat keluar dari permukaannya. Menggunakannya beberapa kali akan meminimalkan kebocoran debu dari permukaannya.

### Memasang tali bahu (Gb. 9)

Pasang salah satu ujung kait tali bahu pada cincin di bagian depan mesin pembersih dan dorong ujung lain tali melalui tali kantong debu dan kemudian pasang ujung lain kait seperti diperlihatkan dalam gambar.

### Menyetel tali bahu (Gb. 10)

Untuk menyetel panjang tali bahu, tariklah tali ke luar sampai panjang yang diinginkan dan tarik tali sesuai arah tanda panah seperti diperlihatkan dalam gambar.

### Menyambungkan slang

#### ⚠ PERHATIAN:

- **Jangan memaksa tali untuk menekuk dan/atau menginjaknya.** Memaksa dan/atau menginjak slang dapat menyebabkan perubahan bentuk atau kerusakan pada slang.
- **Jangan menarik slang untuk mengangkat mesin pembersih.** Menarik slang dapat menyebabkan perubahan bentuk atau kerusakan pada slang. (Gb. 11)

Masukkan ujung "A" slang pada lubang penghisapan mesin pembersih dan putar searah jarum jam sepenuhnya sampai terkunci.

Pasang manset pada ujung "B" slang dan kemudian sambungkan ke lubang keluar debu dari suatu mesin listrik.

### Mengganti manset depan

Ganti manset depan slang sesuai dengan ukuran lubang keluar debu mesin listrik yang Anda gunakan. (Gb. 12)

Untuk melepas manset depan, tahan slang dan putar manset berlawanan arah jarum jam.

Untuk memasang manset depan, putar manset searah jarum jam dan kemudian dratkan sampai berhenti.

## PENGOPERASIAN

#### ⚠ PERINGATAN:

- Jangan gunakan tali bahu saat bekerja di tempat tinggi.
- Saat menggunakan mesin pembersih sebagai pembersih stasioner, tempatkan pembersih di atas permukaan yang datar dan stabil.

### Pembersih vakum (Gb. 13)

Saat menggunakan mesin pembersih sebagai pembersih jinjing, menggantung tali bahu menyilang dada akan membuat pembersih sulit jatuh. (Gb. 14)

#### CATATAN:

- Potongan memanjang kertas dekoratif yang mungkin dihasilkan dari pekerjaan pemotongan eternit, tergantung pada kondisi benda kerja yang akan dipotong, dan yang dapat tersedot masuk ke dalam slang dapat menyebabkan penghisapan slang tersumbat. Bila ini terjadi, ubahlah setelan kedalaman pemotongan mesin listrik menjadi lebih dalam, yang akan membebaskan sumbatan penghisapan slang.

### Pengoperasian mesin pembersih dengan nozel atau kantong debu terpasang

#### ⚠ PERINGATAN:

- **Selalu pastikan bahwa mesin pembersih dalam keadaan mati dan kartrid baterainya telah dilepas sebelum memasang atau melepas nozel atau tambahan lain apa pun pada mesin pembersih.** Kelalaian untuk mematikan sakelar dan melepas kartrid baterai dapat mengakibatkan cedera serius.

#### CATATAN:

- Sebelum mengoperasikan mesin dalam mode peniup segera setelah mengoperasikannya dalam mode pembersih, bersihkan dulu semua debu dari pembersih karena jika tidak, debu dapat tersebarkan keluar.

### Menggunakan sebagai mesin peniup (Gb. 15)

Pasang nozel pada lubang keluar (ventilasi udara) kuat-kuat.

Untuk memasang nozel, pasak pasak yang menonjol dari dalam nozel ke salah satu takik pada pembersih dan kemudian putar nozel searah jarum jam hingga kencang.

Untuk melepas nozel, putarlah berlawanan arah jarum jam dan tarik keluar.

Arahkan ujung teratas mesin pembersih dan kemudian hidupkan sakelarnya.

### Mengosongkan kantong debu

#### ⚠ PERINGATAN:

- **Selalu pastikan bahwa baik mesin pembersih maupun mesin listrik yang dihubungkan padanya telah dimatikan dan kartrid baterainya telah dilepas dan bahwa mesin listrik, jika berkabel, telah dicabut kabel listriknya sebelum memasang atau melepas kantong debu (terbuat dari kain) pada mesin pembersih dan mengosongkannya.** Kelalaian untuk mematikan sakelar, melepas kartrid baterai, dan mencabut kabel listrik dari mesin listrik yang dihubungkan dapat mengakibatkan sengatan listrik dan cedera serius.
- Bila kantong debu sudah sekitar setengah penuh, lepaskan kantong dari mesin pembersih dan tarik pengencangnyanya keluar. Keluarkan seluruh isi kantong debu, dengan menepuk-nepuknya perlahan untuk melepaskan partikel-partikel yang menempel pada bagian dalamnya, yang dapat menghambat pengumpulan debu berikutnya.

#### CATATAN:

- **Mengenai kapan harus mengosongkan kantong debu, gunakan panduan ini: kantong debu akan penuh setelah mengebor pada beton sekitar 450 lubang dengan diameter 6,5 mm dan kedalaman 40 mm.** Kantong debu yang tersumbat oleh timbunan partikel dapat mengurangi kekuatan pengumpulan debunya dan menyebabkan kerusakan pada motor pembersih.



### PERHATIAN:

- **Pasang kantung debu (terbuat dari kain) ke sambungan kantung debu kuat-kuat dan tutup pengencangnya sepenuhnya sebelum digunakan.** Kelalaian untuk memasang kantung debu kuat-kuat dan menutup pengencangnya sepenuhnya dapat menyebabkan debu tersembur keluar dan mengakibatkan cedera serius. **(Gb. 16)**

Pegang bagian bujur sangkar sambungan kantung debu kuat-kuat, putar berlawanan arah jarum jam dan kemudian lepaskan kantung debu.

Buka pengancingnya dan buang debunya. **(Gb. 17)**

### PERHATIAN:

- Bersihkan partikel yang menempel pada area pengencang.

## PEMELIHARAAN

### PERINGATAN:

- Selalu pastikan bahwa mesin pembersih dalam keadaan mati dan kartrid baterainya dilepas sebelum mencoba melakukan pemeriksaan atau pemeliharaan.

## Membersihkan area filter

### PERHATIAN:

- Jangan menyedot bahan selain debu, seperti batu, potongan kayu, dan bahan serupa karena mesin pembersih ini dimaksudkan untuk mengumpulkan debu. Menyedot batu, potongan kayu, dan bahan serupa dapat menyebabkan kerusakan pada kipas dan mesin pembersih. **(Gb. 18)**

**Periksa dan bersihkan area filter di lubang masuk penyedotan secara teratur. Bersihkan benda asing yang akan menghambat penyedotan.**

## Pembersihan

Dari waktu ke waktu, lap bagian luar (bodi) mesin pembersih menggunakan kain yang dilembapkan dengan air sabun.

### PERHATIAN:

- Jangan sekali-kali menggunakan bensin, tiner, alkohol, atau bahan sejenisnya. Penggunaan bahan demikian dapat menyebabkan perubahan warna dan bentuk serta timbulnya retakan.

Demi menjaga KEAMANAN dan KEHANDALAN produk, serahkan perbaikan, pemeliharaan atau penyetulan lainnya kepada Pusat Servis Resmi Makita, dengan selalu menggunakan suku cadang pengganti Makita.

## AKSESORI TAMBAHAN

### PERHATIAN:

- Aksesori atau alat tambahan ini dianjurkan untuk digunakan dengan pembersih Makita milik Anda yang disebutkan dalam buku petunjuk ini. Penggunaan aksesori atau alat tambahan lain dapat menimbulkan risiko cedera pada orang. Gunakan aksesori atau alat tambahan sesuai kegunaannya.

Jika Anda membutuhkan bantuan perihal informasi lebih terperinci mengenai aksesori-aksesori ini, tanyakan kepada Pusat Servis Makita setempat.

- Nozel
- Kantung debu

- Slang
- Manset depan
- Tali bahu
- Baterai dan pengisi baterai asli Makita

### CATATAN:

- Beberapa artikel dalam daftar dapat disertakan dalam kemasan mesin sebagai aksesori standar. Kelengkapan ini dapat berbeda dari satu negara ke negara lainnya.



# TIẾNG VIỆT (Hướng dẫn Gốc)

## Giải thích về hình vẽ tổng thể

- |                            |                     |                    |
|----------------------------|---------------------|--------------------|
| 1. Phần màu đỏ             | 13. Móc             | 25. Lấp            |
| 2. Nút                     | 14. Phần nhô ra     | 26. Giấy trang trí |
| 3. Hộp pin                 | 15. Vòng            | 27. Lưỡi cưa       |
| 4. Dấu sao                 | 16. Dây đeo vai     | 28. Đế             |
| 5. Đèn chỉ báo             | 17. Hai móc         | 29. Chiều sâu cắt  |
| 6. Nút kiểm tra            | 18. Kéo lên         | 30. Lốp lót        |
| 7. Nút HIGH/LOW (CAO/THẤP) | 19. Để thu ngắn lại | 31. Lỗ (thoát khí) |
| 8. Nút OFF (TẮT)           | 20. Để kéo dài ra   | 32. Vòi thoát khí  |
| 9. Lỗ xả bụi               | 21. Dụng cụ điện    | 33. Chốt           |
| 10. Đầu nối túi chứa bụi   | 22. Vòng găng trước | 34. Phần mặt vuông |
| 11. Chốt                   | 23. Ống hút bụi     | 35. Bề mặt lọc     |
| 12. Túi đựng mặt cưa       | 24. Tháo            |                    |

## THÔNG SỐ KỸ THUẬT

Kiểu máy		DVC340	DVC350
Công suất	Dung tích	3,0 L	
	Dung tích Khí Tối đa	3,3 m <sup>3</sup> /phút.	3,4 m <sup>3</sup> /phút.
Sử dụng liên tục (Xấp xỉ)	CAO	4 phút (với BL1415)	6 phút (với BL1815)
		5 phút (với BL1415N)	7 phút (với BL1815N)
		–	8 phút (với BL1820/BL1820B)
		10 phút (với BL1430/BL1430B)	13 phút (với BL1830/BL1830B)
		13 phút (với BL1440)	18 phút (với BL1840/BL1840B)
		16 phút (với BL1450)	21 phút (với BL1850/BL1850B)
	THẤP	20 phút (với BL1460B)	26 phút (với BL1860B)
		8 phút (với BL1415)	12 phút (với BL1815)
		10 phút (với BL1415N)	14 phút (với BL1815N)
		–	16 phút (với BL1820/BL1820B)
		20 phút (với BL1430/BL1430B)	26 phút (với BL1830/BL1830B)
		26 phút (với BL1440)	36 phút (với BL1840/BL1840B)
		33 phút (với BL1450)	42 phút (với BL1850/BL1850B)
		40 phút (với BL1460B)	52 phút (với BL1860B)
Tổng chiều dài	403 mm		
Trọng lượng tịnh (có pin)	2,1 kg (BL1415/BL1415N)	2,2 kg (BL1815/BL1815N/BL1820/BL1820B)	
	2,3 kg (BL1430/BL1430B/BL1440/BL1450/BL1460B)	2,4 kg (BL1830/BL1830B/BL1840/BL1840B/BL1850/BL1850B/BL1860B)	
Điện áp định mức	D.C. 14,4 V		


- Do chương trình nghiên cứu và phát triển liên tục của chúng tôi nên các thông số kỹ thuật trong tài liệu này có thể thay đổi mà không cần thông báo.
- Các thông số kỹ thuật và hộp pin ở mỗi quốc gia có thể khác nhau.
- Trọng lượng, có hộp pin, theo quy định EPTA-Procedure 01/2003

### Ký hiệu

END315-1

ENA006-1

Phần dưới đây cho biết các ký hiệu được dùng cho thiết bị. Đảm bảo rằng bạn hiểu ý nghĩa của các ký hiệu này trước khi sử dụng.

 .... Đọc tài liệu hướng dẫn.

### Mục đích sử dụng

ENE017-1

Dụng cụ được dùng để hút bụi khô.

**CẢNH BÁO:** Thiết bị này có thể được sử dụng bởi trẻ em từ 8 tuổi trở lên và những người bị suy giảm khả năng thể chất, giác quan hoặc tinh thần hoặc thiếu kinh nghiệm và kiến thức sử dụng nếu họ được giám sát hoặc được hướng dẫn về việc sử dụng thiết bị này theo cách an toàn và hiểu các mối nguy hiểm có liên quan. Trẻ em không được nghịch thiết bị này. Việc làm

sạch và bảo trì không được do trẻ em thực hiện mà không được giám sát.

## Cảnh báo An toàn Chung dành cho Dụng cụ Máy

GEA006-2

**⚠ CẢNH BÁO** Đọc tất cả cảnh báo về an toàn và tất cả hướng dẫn. Việc không tuân theo các cảnh báo và hướng dẫn có thể dẫn đến điện giật, hỏa hoạn và/hoặc thương tích nghiêm trọng.

## Lưu giữ tất cả cảnh báo và hướng dẫn để tham khảo sau này.

Thuật ngữ “dụng cụ máy” trong các cảnh báo đề cập đến dụng cụ máy (có dây) được vận hành bằng điện hoặc dụng cụ máy (không dây) được vận hành bằng pin.

### An toàn tại nơi làm việc

1. **Giữ nơi làm việc sạch sẽ và có đủ ánh sáng.** Nơi làm việc bừa bộn hoặc tối có thể dẫn đến tai nạn.
2. **Không vận hành dụng cụ máy trong môi trường cháy nổ, ví dụ như môi trường có sự hiện diện của các chất lỏng, khí hoặc bụi dễ cháy.** Các dụng cụ máy tạo ra tia lửa điện có thể làm bụi hoặc khí bốc cháy.
3. **Giữ trẻ em và người ngoài tránh xa nơi làm việc khi đang vận hành dụng cụ máy.** Sự sao lãng có thể khiến bạn mất khả năng kiểm soát.

### An toàn về điện

4. **Phích cắm của dụng cụ máy phải khớp với ổ cắm.** Không bao giờ được sửa đổi phích cắm theo bất kỳ cách nào. Không sử dụng bất kỳ phích điều hợp nào với các dụng cụ máy được nối đất (tiếp đất). Các phích cắm còn nguyên vẹn và ô cắm phù hợp sẽ giảm nguy cơ điện giật.
5. **Tránh để có thể tiếp xúc với các bề mặt nổi đất hoặc tiếp đất như đường ống, bồn tắm nhiệt, bếp ga và tủ lạnh.** Nguy cơ bị điện giật sẽ tăng lên nếu có thể bạn được nối đất hoặc tiếp đất.
6. **Không để dụng cụ máy tiếp xúc với mưa hoặc trong điều kiện ẩm ướt.** Nước chảy vào dụng cụ máy sẽ làm tăng nguy cơ điện giật.
7. **Không sử dụng dây sai cách.** Không bao giờ sử dụng dây để mang, kéo hoặc tháo phích cắm dụng cụ máy. Để dây cách xa nguồn nhiệt, dầu, các mép sắc hoặc các bộ phận động. Dây bị hỏng hoặc bị ròi sẽ làm tăng nguy cơ điện giật.
8. **Khi vận hành dụng cụ máy ngoài trời, hãy sử dụng dây kéo dài phù hợp cho việc sử dụng ngoài trời.** Việc dùng dây phù hợp cho việc sử dụng ngoài trời sẽ giảm nguy cơ điện giật.
9. **Nếu bắt buộc phải vận hành dụng cụ máy ở nơi ẩm ướt, hãy sử dụng nguồn cấp điện được bảo vệ bằng thiết bị ngắt mạch rò điện (GFCI).** Sử dụng GFCI sẽ giảm nguy cơ điện giật.

### An toàn cá nhân

10. **Luôn tỉnh táo, quan sát những việc bạn đang làm và sử dụng những phán đoán theo kinh nghiệm khi vận hành dụng cụ máy.** Không sử dụng dụng cụ máy khi bạn đang mệt mỏi hoặc

**chịu ảnh hưởng của ma túy, rượu bia hay thuốc.** Chỉ một khoảnh khắc không tập trung khi đang vận hành dụng cụ máy cũng có thể dẫn đến thương tích cá nhân nghiêm trọng.

11. **Sử dụng thiết bị bảo hộ cá nhân. Luôn đeo thiết bị bảo vệ mắt.** Các thiết bị bảo hộ như mặt nạ chống bụi, giày an toàn không trượt, mũ bảo hộ hay thiết bị bảo vệ thính giác được sử dụng trong các điều kiện thích hợp sẽ giúp giảm thương tích cá nhân.
12. **Tránh khởi động vô tình dụng cụ máy. Đảm bảo công tắc ở vị trí off (tắt) trước khi nối nguồn điện và/hoặc bộ pin, cắm hoặc mang dụng cụ máy.** Việc mang dụng cụ máy khi đang đặt ngón tay ở vị trí công tắc hoặc cấp điện cho dụng cụ máy khi công tắc đang ở vị trí bật có thể dẫn đến tai nạn.
13. **Tháo mọi khoá hoặc chia vận điều chỉnh trước khi bật dụng cụ máy.** Việc chia vận hoặc khoá vẫn còn gắn vào bộ phận quay của dụng cụ máy có thể dẫn đến thương tích cá nhân.
14. **Không vớ quá cao. Luôn giữ thăng bằng tốt và có chỗ để chân phù hợp.** Điều này cho phép kiểm soát dụng cụ máy tốt hơn trong những tình huống bất ngờ.
15. **Ăn mặc phù hợp. Không mặc quần áo rộng hay đeo đồ trang sức. Giữ tóc, quần áo và găng tay tránh xa các bộ phận chuyển động.** Quần áo rộng, đồ trang sức hay tóc dài có thể mắc vào các bộ phận chuyển động.
16. **Nếu thiết bị này được cung cấp kèm theo các bộ phận để nối thiết bị hút và gom bụi, hãy đảm bảo chúng được kết nối và sử dụng hợp lý.** Sử dụng thiết bị gom bụi có thể làm giảm những mối nguy hiểm liên quan đến bụi.

### Sử dụng và bảo quản dụng cụ máy

17. **Không ép buộc dụng cụ máy. Sử dụng đúng dụng cụ máy cho công việc của bạn.** Sử dụng đúng dụng cụ máy sẽ giúp thực hiện công việc tốt hơn và an toàn hơn theo giá trị định mức được thiết kế của dụng cụ máy đó.
18. **Không sử dụng dụng cụ máy nếu công tắc không bật và tắt được dụng cụ máy đó.** Mọi dụng cụ máy không thể điều khiển được bằng công tắc đều rất nguy hiểm và cần được sửa chữa.
19. **Rút phích cắm ra khỏi nguồn điện và/hoặc tháo bộ pin khỏi dụng cụ máy trước khi thực hiện bất kỳ công việc điều chỉnh, thay đổi phụ tùng hay cắt giữ dụng cụ máy nào.** Những biện pháp an toàn phòng ngừa này sẽ giảm nguy cơ khởi động vô tình dụng cụ máy.
20. **Cắt giữ các dụng cụ máy không sử dụng ngoài tầm với của trẻ em và không cho bất kỳ người nào không có hiểu biết về dụng cụ máy hoặc các hướng dẫn này vận hành dụng cụ máy.** Dụng cụ máy sẽ rất nguy hiểm nếu được sử dụng bởi những người dùng chưa qua đào tạo.
21. **Bảo dưỡng dụng cụ máy. Kiểm tra tình trạng lệch trục hoặc bó kẹt của các bộ phận chuyển động, hiện tượng nứt vỡ của các bộ phận và mọi tình trạng khác mà có thể ảnh hưởng đến hoạt động của dụng cụ máy.** Nếu có hỏng hóc, hãy sửa chữa dụng cụ máy trước khi sử dụng. Nhiều tai nạn xảy ra là do không bảo dưỡng tốt dụng cụ máy.

22. **Luôn giữ cho dụng cụ cắt được sắc và sạch.**  
 Những dụng cụ cắt được bảo dưỡng đúng cách có lưỡi cắt sắc sẽ ít bị kẹt hơn và dễ điều khiển hơn.
23. **Sử dụng dụng cụ máy, phụ tùng và đầu dụng cụ cắt, v.v... theo các hướng dẫn này, có tính đến điều kiện làm việc và công việc được thực hiện.**  
 Việc sử dụng dụng cụ máy cho các công việc khác với công việc dự định có thể gây nguy hiểm.

#### Sử dụng và bảo quản dụng cụ dùng pin

24. **Chỉ sạc lại bằng bộ sạc được nhà sản xuất chỉ định.** Bộ sạc thích hợp cho một loại bộ pin có thể gây rủi ro cháy khi được sử dụng với bộ pin khác.
25. **Chỉ sử dụng dụng cụ máy với các bộ pin được chỉ định cụ thể.** Sử dụng bất kỳ bộ pin nào khác cũng có nguy cơ gây ra chấn thương hoặc cháy.
26. **Khi không sử dụng bộ pin, hãy cất giữ bộ pin cách xa các vật kim loại khác, như ghim kẹp giấy, tiền xu, chìa khoá, đinh, đai ốc hoặc các vật kim loại nhỏ khác, là những vật có thể trở thành vật kết nối một cực với cực kia.** Chập các cực pin vào nhau có thể gây bùng hoặc cháy.
27. **Trong các trường hợp sử dụng sai mục đích, pin có thể tiết ra chất lỏng; hãy tránh tiếp xúc.** Nếu bạn vô tình tiếp xúc với chất lỏng này, hãy rửa sạch bằng nước. Nếu chất lỏng này tiếp xúc với mắt, bạn phải tìm thêm sự trợ giúp y tế. Chất lỏng tiết ra từ pin có thể gây rát hoặc bỏng.

#### Bảo dưỡng

28. **Để nhân viên sửa chữa đủ trình độ bảo dưỡng dụng cụ máy của bạn và chỉ sử dụng các bộ phận thay thế đồng nhất.** Việc này sẽ đảm bảo duy trì được độ an toàn của dụng cụ máy.
29. **Tuân theo hướng dẫn dành cho việc bôi trơn và thay phụ tùng.**
30. **Giữ tay cầm khô, sạch, không dính dầu và mỡ.**

## CẢNH BÁO VỀ AN TOÀN DÀNH CHO MÁY HÚT BỤI CHẠY PIN

ENB117-4

**⚠ CẢNH BÁO! QUAN TRỌNG HÃY ĐỌC CẨN THẬN** tất cả cảnh báo về an toàn và tất cả hướng dẫn **TRƯỚC KHI SỬ DỤNG.** Việc không tuân theo các cảnh báo và hướng dẫn có thể dẫn đến điện giật, hoả hoạn và/hoặc thương tích nghiêm trọng.

- Người vận hành phải được hướng dẫn đầy đủ về việc sử dụng máy hút bụi này.**
- Máy hút bụi này không phù hợp để hút những vật nguy hiểm.**
- Máy hút bụi này chỉ dành để hút bụi khô.**
- Máy hút bụi này chỉ dành để hút bụi trong nhà.**
- Máy hút bụi này phải được cất giữ trong nhà.**
- Không hút những vật liệu sau:**
  - Vật liệu nóng như thuốc lá đang cháy hoặc mảnh kim cương nhỏ/bụi kim loại do mài/cắt kim loại tạo ra
  - Vật liệu dễ cháy như xăng dầu, dung môi, ét xăng, dầu lửa hoặc sơn
  - Vật liệu dễ nổ như nitro glycerin
  - Vật liệu dễ cháy như Nhôm, kẽm, magiê, titan, photpho hoặc xenluloit
  - Đất ướt, nước, dầu hoặc những chất tương tự

- Vật cứng có cạnh sắc như vỏ bào, kim loại, đá, thủy tinh, đinh, chốt hoặc dao cạo
  - Bột đóng cục như xi măng hoặc bột màu
  - Mặt dẫn điện như kim loại hoặc cacbon
  - Hạt mịn như bột bêtông
- Hành động này có thể gây hoả hoạn, thương tích và/hoặc hư hỏng tài sản.
- Dùng vận hành ngay lập tức nếu bạn thấy bất kỳ điều gì không bình thường.**
  - Không mang máy lại gần lò sưởi hoặc các nguồn nhiệt khác.**
  - Không bị lỗi hút bụi hoặc các lỗ thông bụi.**
  - Không được rời máy hút bụi khi đã lắp pin. Tháo pin khỏi thiết bị khi không sử dụng và trước khi bảo trì.**
  - Không cho phép sử dụng máy hút bụi làm đồ chơi. Cần thật chú ý khi trẻ em dùng máy hút bụi hoặc máy hút bụi để gần trẻ em.**
  - Chỉ sử dụng như được miêu tả trong tài liệu này. Chỉ sử dụng các phụ kiện được nhà sản xuất khuyến dùng.**
  - Không đặt bất kỳ vật gì vào các lỗ mở. Không sử dụng khi bất kỳ lỗ mở nào bị bịt, hãy giữ lỗ mở sạch bụi, xơ vải, tóc cũng như bất kỳ thứ gì có thể hạn chế dòng khí.**
  - Cần cẩn trọng hơn khi hút bụi cầu thang.**
  - Khi sử dụng máy hút bụi làm quạt thổi**
    - luôn sử dụng kính bảo hộ, mũ và mặt nạ trong khi vận hành;
    - luôn đảm bảo đã tắt máy hút bụi và tháo hộp pin trước khi làm sạch chỗ bị tắc;
    - luôn nhớ đứng trên đường dốc;
    - bước đi, không được chạy;
    - không được chia vòi thoát khí vào bất kỳ ai trong khu vực làm việc;
    - Giữ cho tất cả đai ốc, bu-lông và đinh vít luôn chặt để đảm bảo máy hút bụi ở trong điều kiện làm việc an toàn;
    - Chỉ cất giữ máy hút bụi ở nơi khô ráo;
    - Người vận hành hay người sử dụng chịu trách nhiệm về các tai nạn hoặc rủi ro xảy ra đối với người khác hoặc tài sản của họ.

## LƯU TRỮ ĐỂ THAM KHẢO SAU NÀY

#### ⚠ CẢNH BÁO:

**KHÔNG** được để sự thoải mái hay quen thuộc với sản phẩm (có được do sử dụng nhiều lần) thay thế việc tuân thủ nghiêm ngặt các quy định về an toàn dành cho sản phẩm này. **VIỆC DÙNG SAI** hoặc không tuân theo các quy định về an toàn được nêu trong tài liệu hướng dẫn này có thể dẫn đến thương tích cá nhân nghiêm trọng.

Máy hút bụi này dùng cho cả mục đích sử dụng gia đình và sử dụng thương mại, chẳng hạn như trong khách sạn, trường học, bệnh viện, nhà máy, cửa hàng, văn phòng và các cơ sở thương mại di thuê.

# HƯỚNG DẪN QUAN TRỌNG VỀ AN TOÀN

ENC007-11

## DÀNH CHO HỘP PIN

1. Trước khi sử dụng hộp pin, hãy đọc tất cả hướng dẫn và ký hiệu cảnh báo trên (1) bộ sạc pin, (2) pin và (3) sản phẩm dùng pin.
2. Không tháo rời hộp pin.
3. Nếu thời gian vận hành ngắn hơn quá mức, hãy ngừng vận hành ngay lập tức. Điều này có thể dẫn đến rủi ro quá nhiệt, có thể gây bỏng và thậm chí là nổ.
4. Nếu chất điện phân rơi vào mắt, hãy rửa sạch bằng nước sạch và đến cơ sở y tế ngay lập tức. Chất này có thể khiến bạn giảm thị lực.
5. Không để hộp pin ở tình trạng đoản mạch:
  - (1) Không chạm vào cực pin bằng vật liệu dẫn điện.
  - (2) Tránh cất giữ hộp pin trong hộp có các vật kim loại khác như đinh, tiền xu, v.v...
  - (3) Không để hộp pin dính nước hoặc ngoài trời mưa.

Đoản mạch pin có thể gây ra dòng điện lớn, quá nhiệt, có thể gây bỏng và thậm chí là hỏng hóc.

6. Không cất giữ dụng cụ và hộp pin ở nơi nhiệt độ có thể lên tới hoặc vượt quá 50°C (122°F).
7. Không đốt hộp pin ngay cả khi hộp pin đã bị hư hại nặng hoặc hư hỏng hoàn toàn. Hộp pin có thể nổ khi tiếp xúc với lửa.
8. Hãy cẩn trọng không làm rơi hoặc làm méo pin.
9. Không sử dụng pin đã hỏng.
10. Pin lithium-ion chứa bên trong tuân theo các yêu cầu của Luật về hàng hóa nguy hiểm. Đối với việc vận chuyển thương mại, ví dụ như trên thứ ba, đại lý giao nhận, phải tuân theo yêu cầu đặc biệt về đóng gói và gắn nhãn. Khi chuẩn bị giao hàng, cần phải tham vấn chuyên gia về vật liệu nguy hiểm. Ngoài ra, cũng tuân theo các quy định quốc gia có thể chi tiết hơn. Buộc hoặc phủ các tiếp điểm hở và đóng gói pin sao cho pin không thể di chuyển quanh hộp.
11. Thực hiện theo các quy định địa phương bạn về việc thải bỏ pin.

## LƯU GIỮ CÁC HƯỚNG DẪN NÀY.

**⚠ THẬN TRỌNG:** Chỉ sử dụng pin chính hãng của Makita.

Việc sử dụng pin không phải chính hãng Makita hoặc pin đã bị biến đổi có thể khiến pin nổ gây ra hỏa hoạn, thương tích cá nhân và hư hại. Các pin này cũng sẽ không được nhận bảo hành của Makita dành cho dụng cụ và bộ sạc của Makita.

### Mẹo duy trì tuổi thọ tối đa cho pin

1. Sạc pin trước khi hết pin.  
Luôn ngừng vận hành dụng cụ và sạc pin khi bạn thấy dụng cụ bị yếu pin.
2. Không bao giờ sạc lại pin khi hộp pin đã được sạc đầy.  
Sạc quá mức sẽ làm giảm tuổi thọ của pin.

3. Sạc pin ở nhiệt độ phòng 10°C - 40°C (50°F - 104°F). Để cho hộp pin nóng nguội trước khi sạc.
4. Sạc hộp pin nếu bạn không sử dụng hộp pin đó trong khoảng thời gian dài (hơn 6 tháng).

## MÔ TẢ CHỨC NĂNG

### ⚠ THẬN TRỌNG:

- Luôn đảm bảo đã tắt máy hút bụi và tháo hộp pin trước khi điều chỉnh hoặc kiểm tra chức năng trên máy hút bụi.

### Lắp hoặc tháo hộp pin (Hình 1)

- Luôn tắt máy hút bụi trước khi lắp hoặc tháo hộp pin.
- Để tháo hộp pin, kéo hộp pin ra khỏi máy hút bụi đồng thời đẩy nhẹ nút ở phía trước hộp pin như minh họa trong hình.
- Để lắp hộp pin, đặt thẳng hàng chốt nhô ra của hộp pin với rãnh ở vỏ và đẩy hộp pin vào vị trí. Phải đưa pin vào cho đến khi hộp pin khớp vào vị trí với một tiếng lách cách nhỏ. Nếu bạn có thể thấy phần màu đỏ ở mặt trên của nút thì hộp pin chưa hoàn toàn khớp vào vị trí. Hãy đưa pin vào cho đến khi không thể thấy được phần màu đỏ. Nếu không, pin có thể bất ngờ văng ra khỏi máy hút bụi, gây thương tích cho bạn hoặc người xung quanh.
- Không dùng lực khi lắp hộp pin. Nếu hộp pin không trượt vào dễ dàng có nghĩa là pin đang được lắp không đúng cách.

### Hệ thống bảo vệ pin

Máy hút bụi được trang bị hệ thống bảo vệ, tự động ngắt dòng điện để giúp kéo dài tuổi thọ của máy. Máy hút bụi ngừng hoạt động khi máy hút bụi và/hoặc pin ở trong tình trạng sau.

Điều này là do kích hoạt hệ thống bảo vệ chứ không phải do máy hút bụi gặp trục trặc.

- Khi máy hút bụi quá tải:  
Lúc này, nhấn nút "OFF" (TẮT) và loại bỏ các nguyên nhân gây quá tải rồi sau đó nhấn lại nút "HIGH/LOW" (CAO/THẤP) để khởi động lại.
- Khi pin quá nóng: (tham khảo ghi chú bên dưới.) Cho dù có bất kỳ tác động nào đến nút "HIGH/LOW" (CAO/THẤP) và nút "OFF" (TẮT) thì mô tơ vẫn dừng. Lúc này, hãy ngừng sử dụng máy hút bụi và làm mát hoặc sạc hộp pin sau khi tháo khỏi máy hút bụi.
- Khi lượng pin còn lại thấp:  
Cho dù có bất kỳ tác động nào đến nút "HIGH/LOW" (CAO/THẤP) và nút "OFF" (TẮT) thì mô tơ vẫn dừng. Lúc này, hãy tháo hộp pin khỏi máy hút bụi và sạc pin.

### CHÚ Ý:

- Tính năng bảo vệ nhạy với nhiệt độ chỉ áp dụng khi máy hút bụi được sử dụng với hộp pin có dấu sao. (Hình 2)

### Cho biết lượng pin còn lại

(Chỉ dành cho hộp pin có chữ "B" ở cuối số mẫu sản phẩm). (Hình 3)

Nhấn nút kiểm tra trên hộp pin để cho biết lượng pin còn lại. Đèn chỉ báo sáng trong vài giây.

Đèn chỉ báo			Số lượng pin còn lại
Bật sáng	Tắt	Nhấp nháy	
■ ■ ■ ■			75% đến 100%
■ ■ ■ □			50% đến 75%
■ ■ □ □			25% đến 50%
■ □ □ □			0% đến 25%
▣ □ □ □			Sạc pin.
■ ■ □ □	↑	↓	Pin có thể bị hỏng.
□ □ ■ ■			

015658

### CHÚ Ý:

- Tùy vào điều kiện sử dụng và nhiệt độ môi trường xung quanh, lượng pin được chỉ báo có thể hơi khác so với lượng pin thực tế.

### Hoạt động của công tắc (Hình 4)

Để khởi động máy hút bụi, chỉ cần nhấn nút "HIGH/LOW" (CAO/THẤP). Để tắt, nhấn nút "OFF" (TẮT). Để thay đổi tốc độ của máy hút bụi, nhấn nút "HIGH/LOW" (CAO/THẤP). Lần nhấn thứ nhất lên nút này cho tốc độ cao và lần nhấn thứ hai cho tốc độ thấp và sau đó mỗi lần nhấn lên nút này sẽ lập lại lần lượt tốc độ cao/thấp.

## QUÁ TRÌNH LẮP RÁP

### ⚠ THẬN TRỌNG:

- Luôn đảm bảo đã tắt máy hút bụi và tháo hộp pin trước khi thực hiện bất kỳ công việc nào trên máy hút bụi.
- Thực hiện bất kỳ công việc nào khi hộp pin vẫn được lắp trên máy hút bụi có thể gây ra thương tích cá nhân hoặc hư hỏng cho các vật xung quanh máy hút bụi.

### Lắp túi chứa bụi (Hình 5)

Giữ phần mặt vuông của đầu nối túi chứa bụi và đặt các chốt bên trong đầu nối túi chứa bụi khớp với các khắc trong lỗ xả bụi của máy hút bụi rồi sau đó lắp và vặn hết cỡ theo chiều kim đồng hồ cho đến khi dừng hẳn. (Hình 6)

Lúc này, hãy đảm bảo rằng bộ phận khóa kéo ở trên túi chứa bụi hướng lên trên.

### CHÚ Ý:

- Khi đầu nối túi chứa bụi và vành bên trong túi chứa bụi bị rời ra, hãy lắp như sau.
  - Đặt thẳng hàng đầu nối túi chứa bụi với lỗ của túi chứa bụi và lắp nó sao cho phần nhô lên hướng lên trên. (Hình 7)

- Vặn chặt vành bên trong túi chứa bụi sao cho các chốt và vành có vị trí như minh họa trong hình. (Hình 8)

### Lắp dây đeo vai (Hình 9)

Gắn một đầu móc của dây đeo vai vào vòng khuyên ở trước máy hút bụi và luồn đầu kia của dây đeo qua đai của túi chứa bụi rồi sau đó gắn đầu móc còn lại như minh họa trong hình.

### Điều chỉnh dây đeo vai (Hình 10)

Để điều chỉnh độ dài của dây đeo vai, kéo dây lên đến độ dài mong muốn rồi kéo theo hướng của mũi tên như minh họa trong hình.

### Gắn ống hút bụi

#### ⚠ THẬN TRỌNG:

- Không ấn làm cong ống hút bụi và/giảm lên nó.** Ấn và/hoặc giảm lên ống hút bụi có thể gây biến dạng hoặc làm hư hỏng ống hút bụi.
- Không kéo ống hút bụi để lôi theo máy hút bụi.** Việc kéo ống hút bụi có thể gây biến dạng hoặc làm hư hỏng ống hút bụi. (Hình 11)

Lắp đầu "A" của ống hút bụi vào đầu hút của máy hút bụi và vặn hết cỡ theo chiều kim đồng hồ cho đến khi dừng hẳn.

Gắn vòng găng vào đầu "B" của ống hút bụi và sau đó gắn nó vào lỗ xả bụi trên dụng cụ điện.

### Thay vòng găng trước

Thay vòng găng trước của ống hút theo kích cỡ lỗ xả bụi trên dụng cụ điện mà bạn sử dụng. (Hình 12) Để tháo vòng găng trước, giữ ống hút bụi và vặn nó ngược chiều kim đồng hồ.

Để lắp vòng găng trước, vặn vòng găng theo chiều kim đồng hồ và sau đó vặn chặt cho đến khi dừng hẳn.

## VẬN HÀNH

### ⚠ CẢNH BÁO:

- Không được sử dụng dây đeo vai khi làm việc ở nơi cao.
- Khi sử dụng máy hút bụi dưới dạng máy hút bụi cố định, hãy đặt máy trên bề mặt bằng phẳng và ổn định.

### Máy hút bụi (Hình 13)

Khi sử dụng máy hút bụi dưới dạng máy hút bụi di động, việc đeo dây chéo qua ngực sẽ giúp hạn chế làm rơi máy hút bụi. (Hình 14)

### CHÚ Ý:

- Dài giấy trang trí được tạo ra từ việc cắt lớp lót tùy theo tình trạng của phôi gia công cần cắt, có thể bị nghẽn lại trong ống hút bụi làm cản trở quá trình hút của ống. Khi hiện tượng này xảy ra, điều chỉnh chiều sâu cắt của dụng cụ điện xuống sâu hơn để tránh cản trở quá trình hút của ống.

### ⚠ THẬN TRỌNG:

- Khi túi chứa bụi còn mới, bụi có thể lọt ra mặt ngoài của nó. Sử dụng túi chứa bụi một vài lần sẽ giảm thiểu việc rò rỉ bụi ra mặt ngoài.

## Vận hành máy hút bụi khi vòi thoát khí hoặc túi chứa bụi đã được lắp

### **⚠ CẢNH BÁO:**

- Luôn đảm bảo đã tắt máy hút bụi và tháo hộp pin trước khi lắp hoặc tháo vòi thoát khí hay bất kỳ phụ kiện nào trên máy hút bụi. Không tắt hoặc tháo hộp pin có thể dẫn đến các thương tích cá nhân nghiêm trọng.

### **CHÚ Ý:**

- Trước khi vận hành ở chế độ quạt thổi ngay sau khi vận hành ở chế độ máy hút, hãy xả hết bụi còn lại ra khỏi máy hút bụi để có thể thổi bụi.

## Sử dụng làm máy thổi (Hình 15)

Lắp thành công vòi thoát khí vào lỗ (thoát khí).

Để lắp vào thoát khí, lắp chốt nhô ra bên trong vòi thoát khí khớp với một trong số các khắc của máy hút bụi và sau đó vận chuyển vòi thoát khí theo chiều kim đồng hồ.

Để tháo vòi thoát khí, vận vòi ngược chiều kim đồng hồ và kéo nó ra.

Định hướng điểm trên cùng của máy hút bụi và sau đó bật máy.

## Làm sạch túi chứa bụi

### **⚠ CẢNH BÁO:**

- Luôn đảm bảo rằng đã tắt máy hút bụi và dụng cụ điện được kết nối, đồng thời tháo hộp pin ra khỏi máy hút bụi, và dụng cụ điện nếu có dây phải được rút phích cắm trước khi lắp hoặc tháo túi chứa bụi trên máy hút bụi và làm sạch túi chứa bụi (làm bằng vải). Không tắt, tháo hộp pin và rút phích cắm dụng cụ điện được kết nối có thể dẫn đến bị điện giật cũng như các thương tích cá nhân nghiêm trọng.
- Khi túi chứa bụi đầy khoảng một nửa, tháo túi ra khỏi máy hút bụi và kéo khoá ra. Đổ hết mọi thứ ra khỏi túi, vỗ nhẹ để các hạt nhỏ bám bên trong túi rơi ra, các hạt này có thể cản trở việc thu gom thêm mặt của.

### **CHÚ Ý:**

- Vào lúc làm sạch túi chứa bụi, sử dụng đường kiểm tra mức đầy của túi khi khoan khoảng 450 lỗ có đường kính 6,5 mm và độ sâu 40 mm trên bê tông. Túi chứa bụi bị bít kín bằng các hạt bụi tích tụ có thể làm giảm khả năng hút bụi và làm hư hỏng động cơ của máy hút bụi.

### **⚠ THẬN TRỌNG:**

- Gắn chặt túi chứa bụi (làm bằng vải) vào đầu nối túi chứa bụi và đóng hoàn toàn khoá kéo trước khi sử dụng. Không gắn chặt túi chứa bụi và đóng hoàn toàn khoá kéo có thể gây xì bụi và dẫn đến thương tích cá nhân nghiêm trọng. (Hình 16)

Cắm chặt phần mặt vuông của đầu nối túi chứa bụi, vận ngược chiều kim đồng hồ và sau đó tháo túi chứa bụi.

Mở khoá kéo và xả bụi. (Hình 17)

### **⚠ THẬN TRỌNG:**

- Lau sạch tất cả các hạt bụi bám vào phần khoá kéo.

## BẢO DƯỠNG

### **⚠ CẢNH BÁO:**

- Luôn đảm bảo đã tắt máy hút bụi và tháo hộp pin trước khi thực hiện kiểm tra hoặc bảo trì.

## Vệ sinh bề mặt lọc

### **⚠ THẬN TRỌNG:**

- Không hút các vật khác bụi như đá, vỏ bào và các thứ tương tự vì máy hút bụi này chỉ được sử dụng để hút bụi. Hút đá, vỏ bào và các thứ tương tự có thể làm hư hỏng quạt và máy hút bụi. (Hình 18)

Kiểm tra và vệ sinh thường xuyên bề mặt lọc ở trong cửa hút bụi. Loại bỏ các vật lạ cản trở quá trình hút.

## Vệ sinh

Thỉnh thoảng, lau sạch bên ngoài (thân) máy hút bụi bằng vải ẩm nhúng trong nước xà phòng.

### **⚠ THẬN TRỌNG:**

- Không bao giờ dùng xăng, ét xăng, dung môi, cồn hoặc hóa chất tương tự. Có thể xảy ra hiện tượng mất màu, biến dạng hoặc nứt vỡ.

Để duy trì ĐỘ AN TOÀN và ĐỘ TIN CẬY của sản phẩm, việc sửa chữa, bảo dưỡng hoặc bất kỳ điều chỉnh nào khác đều phải do Trung tâm Bảo trì Được ủy quyền của Makita thực hiện, luôn sử dụng các bộ phận thay thế của Makita.

## PHỤ KIỆN TỰY CHỌN

### **⚠ THẬN TRỌNG:**

- Các phụ tùng hoặc phụ kiện này được khuyến nghị sử dụng với máy hút bụi Makita của bạn được chỉ định trong tài liệu này. Việc sử dụng bất kỳ phụ tùng hoặc phụ kiện nào khác có thể dẫn đến rủi ro thương tích cho con người. Chỉ sử dụng phụ tùng hoặc phụ kiện với mục đích được nêu.

Nếu bạn cần bất kỳ sự hỗ trợ nào để biết thêm chi tiết về các phụ tùng này, hãy hỏi Trung tâm Bảo trì Makita tại địa phương của bạn.

- Vòi thoát khí
- Túi chứa bụi
- Ống hút bụi
- Vòng găng trước
- Dây đeo vai
- Pin và bộ sạc chính hãng Makita

### **CHÚ Ý:**

- Một số mục trong danh sách có thể được bao gồm trong gói dụng cụ làm các phụ kiện chuẩn. Các mục này ở mỗi quốc gia có thể khác nhau.

คำอธิบายของมุมมองทั่วไป

- |                             |                                |                           |
|-----------------------------|--------------------------------|---------------------------|
| 1. ส่วนสีแดง                | 13. ลิ้มลิ้อด                  | 25. ประกอบ                |
| 2. ปุ่ม                     | 14. ส่วนที่ยื่นออกมา           | 26. กระดาษตกแต่ง          |
| 3. ดับเบิลแบตเตอรี่         | 15. แหวน                       | 27. ใบเลื่อย              |
| 4. เครื่องหมายรูปดาว        | 16. สายพาดไหล่                 | 28. ฐาน                   |
| 5. ไฟแสดงสถานะ              | 17. ลิ้มลิ้อดสองตัว            | 29. ความลึกของการตัด      |
| 6. ปุ่มตรวจสอบ              | 18. ดึงออกมา                   | 30. แผ่นกระดาษปิดผ้าผืน   |
| 7. ปุ่มสูง/ต่ำ              | 19. สำหรับการปรับสายให้สั้นลง  | 31. ท่อลม (ท่อระบายอากาศ) |
| 8. ปุ่มเปิด                 | 20. สำหรับการปรับสายให้ยาวขึ้น | 32. หัวฉีดลม              |
| 9. ช่องดูดฝุ่น              | 21. เครื่องมือไฟฟ้า            | 33. เดือย                 |
| 10. จุดเชื่อมต่อถุงเก็บฝุ่น | 22. ข้อดขนาดด้านหน้า           | 34. ส่วนที่เป็นสี่เหลี่ยม |
| 11. เดือย                   | 23. ท่อดูด                     | 35. ส่วนไส้กรอง           |
| 12. ถุงเก็บฝุ่น             | 24. ถอดออก                     |                           |

**ข้อมูลทางเทคนิค**

รุ่น		DVC340	DVC350
ความจุ	ปริมาตร	3.0 ลิตร	
	ปริมาตรอากาศสูงสุด	3.3 ม. <sup>3</sup> /นาที	3.4 ม. <sup>3</sup> /นาที
การใช้งานอย่างต่อเนื่อง (ประมาณ)	สูง	4 นาที (ที่มี BL1415)	6 นาที (ที่มี BL1815)
		5 นาที (ที่มี BL1415N)	7 นาที (ที่มี BL1815N)
		–	8 นาที (ที่มี BL1820/BL1820B)
		10 นาที (ที่มี BL1430/BL1430B)	13 นาที (ที่มี BL1830/BL1830B)
		13 นาที (ที่มี BL1440)	18 นาที (ที่มี BL1840/BL1840B)
		16 นาที (ที่มี BL1450)	21 นาที (ที่มี BL1850/BL1850B)
	ต่ำ	20 นาที (ที่มี BL1460B)	26 นาที (ที่มี BL1860B)
		8 นาที (ที่มี BL1415)	12 นาที (ที่มี BL1815)
		10 นาที (ที่มี BL1415N)	14 นาที (ที่มี BL1815N)
		–	16 นาที (ที่มี BL1820/BL1820B)
		20 นาที (ที่มี BL1430/BL1430B)	26 นาที (ที่มี BL1830/BL1830B)
		26 นาที (ที่มี BL1440)	36 นาที (ที่มี BL1840/BL1840B)
		33 นาที (ที่มี BL1450)	42 นาที (ที่มี BL1850/BL1850B)
		40 นาที (ที่มี BL1460B)	52 นาที (ที่มี BL1860B)
ความยาวทั้งหมด	403 mm		
น้ำหนักสุทธิ (รวมแบตเตอรี่)	2.1 กก. (BL1415/BL1415N)	2.2 กก. (BL1815/BL1815N/BL1820/BL1820B)	
	2.3 กก. (BL1430/BL1430B/BL1440/BL1450/BL1460B)	2.4 กก. (BL1830/BL1830B/BL1840/BL1840B/BL1850/BL1850B/BL1860B)	
อัตราแรงดันไฟฟ้า	D.C. 14.4 V	D.C. 18 V	

- เนื่องจากการวิจัยและการพัฒนาของเราเป็นแผนงานต่อเนื่อง ดังนั้นข้อมูลเทคนิคที่ระบุในเอกสารนี้อาจมีการเปลี่ยนแปลงโดยไม่ต้องแจ้งให้ทราบล่วงหน้า
- ข้อมูลเทคนิคและดัดแปลงแบตเตอรี่อาจแตกต่างกันในแต่ละประเทศ
- น้ำหนักพร้อมแบตเตอรี่ตามข้อบังคับของ EPTA 01/2003



## สัญลักษณ์

END315-1

ต่อไปนี้เป็นสัญลักษณ์ที่ใช้สำหรับอุปกรณ์ โปรดศึกษาความหมายของสัญลักษณ์ให้เข้าใจก่อนการใช้งาน



..... อ่านคู่มือการใช้งาน

## วัตถุประสงค์การใช้งาน

ENE017-1

เครื่องมือนี้ผลิตขึ้นเพื่อใช้ในการจัดเก็บฝุ่นผงแบบแห้ง

ENA006-1

**คำเตือน:** เด็กที่มีอายุ 8 ปีขึ้นไปและผู้ที่มีความบกพร่องทางร่างกาย ประสาทสัมผัส หรือจิตใจ หรือผู้ที่ไม่มีความรู้และประสบการณ์จะสามารถใช้งานอุปกรณ์นี้ได้ก็ต่อเมื่อมีผู้ควบคุมดูแล หรือได้รับคำแนะนำเกี่ยวกับการใช้งานอุปกรณ์นี้อย่างปลอดภัยและเข้าใจถึงอันตรายที่อาจเกิดขึ้น ไม่ควรให้เด็กเล่นอุปกรณ์ ไม่ควรให้เด็กทำความสะอาดหรือบำรุงรักษาอุปกรณ์นี้โดยไม่มีผู้ควบคุมดูแล

## คำเตือนด้านความปลอดภัยสำหรับเครื่องมือไฟฟ้าทั่วไป

GEA006-2

**คำเตือน** อ่านคำเตือนด้านความปลอดภัยและคำแนะนำทั้งหมด การไม่ปฏิบัติตามคำเตือนและคำแนะนำดังกล่าวอาจส่งผลให้เกิดไฟฟ้าช็อต ไฟไหม้ และ/หรือได้รับบาดเจ็บอย่างร้ายแรง

## เก็บรักษาคำเตือนและคำแนะนำทั้งหมดไว้เป็นข้อมูลอ้างอิงในอนาคต

คำว่า "เครื่องมือไฟฟ้า" ในคำเตือนนี้ หมายถึง เครื่องมือไฟฟ้า (มีสาย) ที่ทำงานโดยใช้กระแสไฟฟ้า หรือเครื่องมือไฟฟ้า (ไร้สาย) ที่ทำงานโดยใช้แบตเตอรี่

### ความปลอดภัยของพื้นที่ทำงาน

1. **ดูแลพื้นที่ทำงานให้มีความสะอาดและมีแสงไฟสว่าง** พื้นที่ที่กระเบื้องหรือเม็ดที่บอบนำไปสู่การเกิดอุบัติเหตุได้
2. **อย่าใช้งานเครื่องมือไฟฟ้าในสภาพที่อาจเกิดการระเบิด** เช่น ในสถานที่ที่มีของเหลว ก๊าซ หรือฝุ่นผงที่มีคุณสมบัติไวไฟ เครื่องมือไฟฟ้าจะสร้างประกายไฟเพื่อจุดชนวนฝุ่นผงหรือก๊าซดังกล่าว
3. **ดูแลไม่ให้มีเด็ก ๆ หรือบุคคลอื่นอยู่ในบริเวณที่กำลังใช้เครื่องมือไฟฟ้า** การมีสิ่งรบกวนสมาธิอาจทำให้คุณสูญเสียการควบคุม

### ความปลอดภัยด้านไฟฟ้า

4. **ปลั๊กของเครื่องมือไฟฟ้าต้องพอดีกับเต้ารับ อย่าตัดแปลงปลั๊กไม่ว่ากรณีใด ๆ** อย่าใช้ปลั๊กอะแดปเตอร์กับเครื่องมือไฟฟ้าที่ต่อสายดิน (กราวด์) ปลั๊กที่ไม่ถูกดัดแปลงและเต้ารับไฟที่เข้ากันพอดีจะช่วยลดความเสี่ยงของการเกิดไฟฟ้าช็อต

5. **ระวังอย่าให้ร่างกายสัมผัสกับพื้นผิวที่ต่อสายดิน เช่น ท่อ เครื่องนำความร้อน เครื่องใช้ไฟฟ้าในครัว และตู้เย็น** มีความเสี่ยงที่จะเกิดไฟฟ้าช็อตสูงขึ้น หากร่างกายของคุณสัมผัสกับพื้น
6. **อย่าให้เครื่องมือไฟฟ้าถูกน้ำหรืออยู่ในสภาพเปียกชื้น** น้ำที่ไหลเข้าไปในเครื่องมือไฟฟ้าจะเพิ่มความเสี่ยงของการเกิดไฟฟ้าช็อต
7. **อย่าใช้สายไฟอย่างไม่เหมาะสม** อย่าใช้สายไฟที่พอก ดึง หรือ ถอดปลั๊กเครื่องมือไฟฟ้า เกือบสายไฟให้ห่างจากความร้อน น้ำมัน ของมีคม หรือชิ้นส่วนที่เคลื่อนที่ สายที่ชำรุดหรือพันกันจะเพิ่มความเสี่ยงของการเกิดไฟฟ้าช็อต
8. **ขณะที่ใช้งานเครื่องมือไฟฟ้านอกอาคาร ควรใช้สายต่อพ่วงที่เหมาะสมกับงานภายนอกอาคาร** การใช้สายที่เหมาะสมกับงานภายนอกอาคารจะลดความเสี่ยงของการเกิดไฟฟ้าช็อต
9. **หากต้องใช้งานเครื่องมือไฟฟ้าในสถานที่เปียกชื้น ให้ใช้เครื่องตัดไฟฟ้ารั่ว (GFCI) สำหรับป้องกันไฟดูด** การใช้ GFCI จะลดความเสี่ยงของการเกิดไฟฟ้าช็อต

### ความปลอดภัยส่วนบุคคล

10. **ให้ระมัดระวัง และสังเกตเสมอว่าคุณกำลังทำสิ่งใดอยู่ และใช้สามัญสำนึกในขณะใช้งานเครื่องมือไฟฟ้า** อย่าใช้งานเครื่องมือไฟฟ้าในขณะที่คุณกำลังเหนื่อยหรือในสภาพที่มึนเมาจากยาเสพติด เครื่องดื่มแอลกอฮอล์ หรือการใ้ยา ในช่วงที่ขาดความระมัดระวังเมื่อกำลังใช้งานเครื่องมือไฟฟ้าอาจทำให้คุณได้รับบาดเจ็บอย่างรุนแรง
11. **ใช้อุปกรณ์ป้องกันส่วนบุคคล สวมแว่นตาป้องกันเสมอ** อุปกรณ์ป้องกัน เช่น หน้ากากกันฝุ่น รองเท้านิรภัยกันลื่น หมวกนิรภัย หรือเครื่องป้องกันการได้ยินที่ใช้ในสภาพที่เหมาะสมจะช่วยลดการบาดเจ็บ
12. **ป้องกันไม่ให้เปิดใช้งานอย่างไม่ตั้งใจ** ตรวจสอบว่าสวิตช์อยู่ในตำแหน่งปิดก่อนเชื่อมต่อกับแหล่งจ่ายไฟ และ/หรือชุดแบตเตอรี่ หรือก่อนการยกหรือถือเครื่องมือ การถอดน๊อตบริเวณสวิตช์เพื่อถือเครื่องมือไฟฟ้า หรือการชาร์จไฟเครื่องมือไฟฟ้าในขณะที่เปิดสวิตช์อยู่อาจนำไปสู่การเกิดอุบัติเหตุ
13. **นำกุญแจปรับแต่งหรือประแจออกก่อนที่จะเปิดเครื่องมือไฟฟ้า** ประแจหรือกุญแจที่เสียบค้างอยู่ในชิ้นส่วนที่หมุนได้ของเครื่องมือไฟฟ้าอาจทำให้คุณได้รับบาดเจ็บ
14. **อย่าทำงานในระยะเวลาที่สั้นที่สุด** จัดทำการยืนและการทรงตัวให้เหมาะสมตลอดเวลา เพราะจะทำให้ควบคุมเครื่องมือไฟฟ้าได้ดีขึ้นในสถานการณ์ที่ไม่คาดคิด
15. **แต่งกายให้เหมาะสม** อย่าสวมเครื่องแต่งกายที่หลวมเกินไป หรือสวมเครื่องประดับ ดูแลไม่ให้เส้นผม เสื้อผ้า



- และถุงมืออยู่ใกล้ชิ้นส่วนที่เคลื่อนที่ เลือฝาร่วมร่ำม เครื่อง  
ประดับ หรือผมที่มีความยาวอาจเข้าไปติดในชิ้นส่วนที่เคลื่อนที่
- หากมีการจัดอุปกรณ์สำหรับดูดและจัดเก็บฝุ่นไว้ใน  
สถานที่ ให้ตรวจสอบว่าได้เชื่อมต่อและใช้งานอุปกรณ์  
นั้นอย่างเหมาะสม การใช้เครื่องดูดและจัดเก็บฝุ่นจะชว  
ลดอันตรายที่เกิดจากฝุ่นผงได้

#### การใช้และดูแลเครื่องมือไฟฟ้า

- อย่าฝืนใช้เครื่องมือไฟฟ้า ใช้เครื่องมือไฟฟ้าที่เหมาะสม  
กับการใช้งานของคุณ เครื่องมือไฟฟ้าที่เหมาะสมจะทำให้  
ได้งานที่มีประสิทธิภาพและปลอดภัยกว่าตามขีดความสามารถ  
ของเครื่องที่ได้รับการออกแบบมา
- อย่าใช้เครื่องมือไฟฟ้า หากสวิตช์ไม่สามารถเปิดปิดได้  
เครื่องมือไฟฟ้าที่ใช้สวิตช์ควบคุมไม่ได้จัดเป็นอันตรายและต้อง  
ได้รับการซ่อมแซม
- ถอดปลั๊กจากแหล่งจ่ายไฟ และ/หรือชุดแบตเตอรี่  
ออกจากเครื่องมือไฟฟ้าก่อนทำการปรับแต่ง เปลี่ยน  
อุปกรณ์เสริม หรือจัดเก็บเครื่องมือไฟฟ้า วิธีการป้องกัน  
ด้านความปลอดภัยดังกล่าวจะช่วยลดความเสี่ยงของการเปิด  
ใช้งานเครื่องมือไฟฟ้าอย่างไม่ตั้งใจ
- จัดเก็บเครื่องมือไฟฟ้าที่ไม่ได้ใช้งานให้ห่างจากมือเด็ก  
และอย่าอนุญาตให้บุคคลที่ไม่คุ้นเคยกับเครื่องมือไฟฟ้า  
หรือคำแนะนำเหล่านี้ใช้งานเครื่องมือไฟฟ้า เครื่องมือ  
ไฟฟ้าจะเป็นอันตรายเมื่ออยู่ในมือของผู้ที่ไม่ได้รับการฝึกอบรม
- การดูแลเครื่องมือไฟฟ้า ตรวจสอบการประกอบหรือ  
การเชื่อมต่อของชิ้นส่วนที่เคลื่อนที่ที่ไม่ถูกต้อง การ  
แตกหักของชิ้นส่วน หรือสภาพอื่น ๆ ที่อาจส่งผลกระทบต่อ  
การทำงานของเครื่องมือไฟฟ้า หากมีความเสียหาย  
ในหน้าเครื่องมือไฟฟ้าไปซ่อมแซมก่อนการใช้งาน  
อุบัติเหตุจำนวนมากเกิดจากการดูแลรักษาเครื่องมือไฟฟ้า  
อย่างไม่ถูกต้อง
- ล้างความคมและทำความสะอาดเครื่องมือการตัดอยู่เสมอ  
เครื่องมือการตัดที่มีการดูแลอย่างถูกต้องและมีขอบการตัดคม  
มักจะมีปัญหาติดขัดน้อยและควบคุมได้ง่ายกว่า
- ใช้เครื่องมือไฟฟ้า อุปกรณ์เสริม และวัสดุสิ้นเปลือง ฯลฯ  
ตามคำแนะนำดังกล่าว พิจารณาสภาพการทำงานและ  
งานที่จะลงมือทำ การใช้เครื่องมือไฟฟ้าเพื่อทำงานอื่น  
นอกเหนือจากที่กำหนดไว้อาจทำให้เกิดอันตราย

#### การใช้และการดูแลเครื่องมือที่ใช้แบตเตอรี่

- ชาร์จไฟด้วยแท่นชาร์จที่ระบุโดยผู้ผลิตเท่านั้น แท่นชาร์จ  
ที่ใช้งานได้กับชุดแบตเตอรี่ประเภทหนึ่งอาจมีความเสี่ยงในการ  
เกิดไฟไหม้ขึ้นเมื่อใช้กับชุดแบตเตอรี่ประเภทอื่น
- ใช้เครื่องมือไฟฟ้ากับชุดแบตเตอรี่ที่ได้รับการออกแบบ  
มาโดยเฉพาะ การใช้ชุดแบตเตอรี่ประเภทอื่นอาจทำให้ได้รับ  
บาดเจ็บและเกิดไฟไหม้ได้

- เมื่อไม่ได้ใช้งานชุดแบตเตอรี่ ให้เก็บไว้ในห่างจากวัตถุ  
โลหะอื่น ๆ เช่น คลิปหนีบกระดาษ เหรียญ ญาญ และปู  
สกรู หรือวัตถุโลหะขนาดเล็กอื่น ๆ ที่อาจทำการเชื่อมต่อ  
จากขั้วหนึ่งไปยังอีกขั้วหนึ่ง การลัดวงจรขั้วแบตเตอรี่ทั้งสอง  
ด้านอาจทำให้มีควันถูกดูดหรือไฟไหม้ได้
- ในสภาพที่เป็นอันตราย อาจมีของเหลวไหลออกมาจาก  
แบตเตอรี่ อย่าสัมผัสของเหลวดังกล่าว หากสัมผัสโดย  
ไม่ตั้งใจ ให้ปลั่งน้ำออก หากของเหลวนั้นสัมผัสกับ  
ดวงตา โปรดไปพบแพทย์เพื่อทำการรักษา ของเหลวที่  
ไหลออกมาจากแบตเตอรี่อาจทำให้เกิดการระคายเคืองหรือ  
ลวกผิวหนังได้

#### การบริการ

- นำเครื่องมือไฟฟ้าเข้ารับบริการจากช่างซ่อมที่ผ่านการ  
รับรองโดยให้ชื่อแบรนด์เดียวกันเท่านั้น เพราะจะทำให้  
การใช้เครื่องมือไฟฟ้ามีความปลอดภัย
- ปฏิบัติตามคำแนะนำในการหลอ่สนและการเปลี่ยน  
อุปกรณ์เสริม
- ดูคู่มือฉบับให้แห่ง สะอาด และไม่มีน้ำมันและจาระบี  
เปื้อน

## คำเตือนด้านความปลอดภัยของ เครื่องดูดฝุ่นไร้สาย

ENB117-4

### ⚠ คำเตือน!

โปรดอ่านคำเตือนด้านความปลอดภัยและคำแนะนำทั้งหมด  
อย่างละเอียดก่อนใช้งาน การไม่ปฏิบัติตามคำเตือนและ  
คำแนะนำดังกล่าวอาจส่งผลให้เกิดไฟฟ้ช็อต ไฟไหม้ และ/หรือ  
ได้รับบาดเจ็บอย่างร้ายแรง

- ผู้ใช้งานต้องได้รับการฝึกอบรมอย่างเหมาะสมในการ  
ใช้งานเครื่องดูดฝุ่นนี้
- เครื่องดูดฝุ่นนี้ไม่เหมาะสมในการใช้ดูดฝุ่นผงที่เป็น  
อันตราย
- เครื่องดูดฝุ่นนี้ใช้สำหรับการดูดฝุ่นผงแบบแห้งเท่านั้น
- เครื่องดูดฝุ่นนี้ใช้สำหรับการดูดฝุ่นภายในอาคารเท่านั้น
- ควรจัดเก็บเครื่องดูดฝุ่นนี้ภายในอาคารเท่านั้น
- อย่าใช้เครื่องดูดฝุ่นดังต่อไปนี้:
  - วัตถุที่มีความร้อน เช่น ก้นบุหรี่ที่ติดไฟอยู่ หรือ  
ประกายไฟ/ผงโลหะที่เกิดจากการเจีย/การตัดโลหะ
  - วัตถุไวไฟ เช่น น้ำมันเชื้อเพลิง ทินเนอร์ เบนซิน  
น้ำมันก๊าด หรือสีทาบ้าน
  - วัตถุระเบิด เช่น ไนโตรกลีเซอริน
  - วัตถุที่ก่อให้เกิดประกายไฟได้ เช่น อลูมิเนียม สังกะสี  
แมกนีเซียม ไททานเนียม ฟอสฟอรัส หรือเซลลูโลส
  - สิ่งสกปรกที่มีความเปียกชื้น น้ำ น้ำมัน หรือวัตถุใน  
ลักษณะเดียวกัน

- วัตถุแข็งที่มีขอบคม เช่น เศษไม้ โลหะ ก้อนหิน แก้ว ตะปู หมุด หรือใบมีดโกน
- ผงที่สามารถจับตัวเป็นลิ่มได้ เช่น ซีเมนต์หรือผงหมึก
- ฝุ่นผงที่เป็นสื่อนำไฟฟ้า เช่น โลหะหรือคาร์บอน
- อนุภาคขนาดเล็ก เช่น ผงคอนกรีต

เนื่องจากการกระทำดังกล่าวอาจก่อให้เกิดไฟไหม้ การบาดเจ็บ และ/หรือความเสียหายต่อทรัพย์สิน

- หยุดการทำงานทันที หากคุณสังเกตเห็นสิ่งผิดปกติ
- อย่านำเครื่องเข้าใกล้เตาไฟหรือแหล่งความร้อนอื่น ๆ
- อย่าให้สิ่งกีดขวางของดูดฝุ่นหรือช่องลม
- อย่าปล่อยให้เครื่องดูดฝุ่นทิ้งไว้ในขณะที่บรรจบบดเตอร์อยู่ ถอดบดเตอร์ออกจากเครื่องเมื่อไม่ได้ใช้งานและก่อนการบำรุงรักษาเครื่อง
- ไม่ควรอนุญาตให้นำไปใช้เป็นของเล่น ดูแลอย่างใกล้ชิดเมื่อเด็ก ๆ เป็นผู้ใช้งานหรือใช้งานใกล้กับเด็ก ๆ
- ใช้งานตามที่ระบุไว้ในคู่มือนี้เท่านั้น ใช้อุปกรณ์เสริมที่ได้รับคำแนะนำจากผู้ผลิตเท่านั้น
- อย่านำวัตถุใดๆ ใส่ลงในช่องลม อย่าใช้เครื่องที่มีวัตถุอุดตันช่องลม ให้นำฝุ่นผง เส้นใย เส้นผม หรือสิ่งต่างๆ ที่อาจทำให้การไหลเวียนของอากาศลดลงออก
- ใช้ความระมัดระวังเป็นพิเศษในขณะทำความสะอาดชั้นบันได
- เมื่อใช้เครื่องดูดฝุ่นเป็นเครื่องเป่าลม
  - สวมแว่นตาป้องกัน หมวก และหน้ากากทุกครั้งในขณะทำงาน
  - ตรวจสอบว่าปิดสวิตช์เครื่องดูดฝุ่นและถอดปลั๊กบดเตอร์ออกก่อนนำสิ่งอุดตันออกก่อนเสมอ
  - ตรวจสอบท่าการยืนบนทางลาดเสมอ
  - ให้เดิน อย่างช้าๆ
  - อย่าชี้หัวฉีดลมไปยังบุคคลที่อยู่ในบริเวณใกล้เคียง
  - ชั้นน็อค โบลต์ และสกรูทุกตัวให้แน่นเพื่อให้มั่นใจว่าเครื่องดูดฝุ่นมีสภาพการทำงานที่ปลอดภัย
  - จัดเก็บเครื่องดูดฝุ่นไว้ในสถานที่แห้งเท่านั้น
  - ผู้ปฏิบัติงานหรือผู้ใช้ต้องรับผิดชอบต่ออุบัติเหตุ หรืออันตรายที่เกิดขึ้นกับบุคคลอื่นหรือทรัพย์สินของพวกเขา

## เก็บไว้เพื่อเป็นข้อมูลอ้างอิงในอนาคต

### ⚠ คำเตือน:

อย่าให้ความไม่ระมัดระวังหรือความคุ้นเคยกับผลิตภัณฑ์ (จากการใช้งานซ้ำหลายครั้ง) อยู่เหนือการปฏิบัติตามกฎเกณฑ์ด้านความปลอดภัยในการใช้งานผลิตภัณฑ์อย่างเคร่งครัด การปฏิบัติอย่างไม่เหมาะสมหรือการไม่ปฏิบัติตามกฎเกณฑ์ด้านความปลอดภัยในคู่มือใช้งานนี้อาจก่อให้เกิดการบาดเจ็บอย่างรุนแรง

เครื่องดูดฝุ่นนี้ผลิตขึ้นมาเพื่อใช้งานภายในบ้านและใช้งานในเชิงพาณิชย์ เช่น ในโรงแรม โรงเรียน โรงพยาบาล โรงงาน ร้านค้า สำนักงาน และอาคาร/สถานที่ให้เช่า

## คำแนะนำด้านความปลอดภัยที่สำคัญ

ENC007-11

### สำหรับดัลบีแบดเตอร์

- ก่อนใช้งานดัลบีแบดเตอร์ โปรดอ่านคำแนะนำและข้อควรระวังทั้งหมดที่ระบุอยู่ใน (1) แท่นชาร์จแบดเตอร์ (2) แบดเตอร์ และ (3) ผลักภัณฑ์ที่ใช้แบดเตอร์
- อย่าใช้ดัลบีแบดเตอร์ที่ถูกแยกชิ้นส่วน
- หากอายุการใช้งานสั้นเกินไป ให้หยุดการทำงานทันที เพราะอาจทำให้แบดเตอร์มีความร้อนมากเกินไป อาจเป็นอันตรายจากการลวกผิวหนัง จนถึงเกิดการระเบิดขึ้นได้
- หากอิเล็กทรอนิกส์เข้าสู่ดวงตา ให้ล้างน้ำออก แล้วไปพบแพทย์ทันที เพราะอาจทำให้ดวงตาของคุณสูญเสียการมองเห็นได้
- อย่าลัดวงจรดัลบีแบดเตอร์:
  - (1) อย่าสัมผัสขั้วแบดเตอร์ที่มีวัสดุนำไฟฟ้า
  - (2) อย่าจัดเก็บดัลบีแบดเตอร์ในภาชนะที่มีวัสดุโลหะอื่น ๆ เช่น ตะปู เหรียญ ฯลฯ
  - (3) อย่าให้ดัลบีแบดเตอร์ถูกน้ำหรือฝน
 แบดเตอร์ที่ลัดวงจรสามารถให้เกิดการไหลเวียนไฟฟ้าในปริมาณมาก มีความร้อนสูงเกินไป มีอันตรายจากการลวกผิวหนัง จนกระทั่งถึงการชำรุดเสียหายได้
- อย่าจัดเก็บเครื่องมือและดัลบีแบดเตอร์ในสถานที่ที่มีอุณหภูมิสูงเกินกว่า 50°C (122°F)
- อย่านำดัลบีแบดเตอร์ไปเผา แม้ว่าตัวแบดเตอร์จะเสียหายมาก หรือเสื่อมสภาพอย่างสิ้นเชิง เพราะดัลบีแบดเตอร์อาจระเบิดในกองไฟ
- ระมัดระวังอย่าทำให้แบดเตอร์ร่วงหล่นหรือได้รับการกระแทก
- อย่าใช้งานอุปกรณ์เสริมที่ชำรุดเสียหาย
- แบดเตอร์ที่มีลิเทียมไอออนอยู่ในข้อบังคับสินค้าอันตรายตามกฎหมาย

สำหรับภาชนะย้ายเชิงพาณิชย์ เช่น โดยบริษัทภายนอก ตัวแทนจัดส่งสินค้า จะต้องปฏิบัติตามความต้องการพิเศษบนบรรจุภัณฑ์และฉลากด้วย

สำหรับการจัดเตรียมสินค้าที่จัดส่ง ต้องปรึกษากับผู้เชี่ยวชาญสำหรับวัสดุอันตรายด้วย นอกจากนี้ ให้ปฏิบัติตามข้อบังคับอื่นๆของประเทศในรายละเอียดด้วย ให้ปิดเทปหรือคลุมหน้าสัมผัสที่เปิดอยู่ และบรรจุแบดเตอร์ในลักษณะที่ไม่สามารถเคลื่อนที่ได้ในบรรจุภัณฑ์

## 11. ปฏิบัติตามข้อกำหนดในท้องถิ่นเกี่ยวกับการทิ้งแบตเตอรี่ของท่าน

- อย่าใช้แรงดันในขณะใส่ดัดลับแบตเตอรี่ หากดัดลับแบตเตอรี่เลื่อนเข้าไปได้ลำบาก อาจเป็นเพราะมีการใส่แบตเตอรี่ไม่ถูกต้อง

## เก็บรักษาคำแนะนำเหล่านี้ไว้

**⚠️ ข้อควรระวัง:** ใช้แต่แบตเตอรี่ของแท้ของ Makita เท่านั้น การไม่ใช่แบตเตอรี่ของแท้ของ Makita หรือใช้แบตเตอรี่ที่ผ่านการดัดแปลง อาจทำให้แบตเตอรี่ระเบิด เป็นสาเหตุให้เกิดไฟไหม้, ได้รับความเจ็บ และเกิดความเสียหายได้ อีกทั้งยังทำให้การรับประกันเครื่องมือและแท่นชาร์จของ Makita เป็นโมฆะด้วย

### เคล็ดลับในการดูแลรักษาแบตเตอรี่ให้มีอายุการใช้งานสูงสุด

- ชาร์จดัดลับแบตเตอรี่ก่อนที่จะคายประจุออกจนหมด ให้อยู่การทำงานของเครื่องและชาร์จดัดลับแบตเตอรี่ก่อนเสมอเมื่อคุณสังเกตเห็นว่าพลังงานของเครื่องมีน้อยลง
- อย่าชาร์จดัดลับแบตเตอรี่ที่มีพลังงานเต็มแล้ว การชาร์จดัดลับแบตเตอรี่มากเกินไปจะทำอายุการใช้งานของแบตเตอรี่สั้นลง
- ชาร์จดัดลับแบตเตอรี่ในอุณหภูมิห้องระหว่าง 10°C - 40°C (50°F - 104°F) ปล่อยให้ดัดลับแบตเตอรี่ที่มีความร้อนเย็นลงก่อนที่จะชาร์จ
- ชาร์จดัดลับแบตเตอรี่หากถูกไม่ได้ใช้งานมาเป็นเวลานาน (มากกว่า 6 เดือน)

## คำอธิบายการใช้งาน

### ⚠️ ข้อควรระวัง:

- ตรวจสอบว่าปิดสวิตช์เครื่องดูดฝุ่นและถอดดัดลับแบตเตอรี่ออกก่อนทำการปรับเปลี่ยนหรือตรวจสอบการทำงานของเครื่องดูดฝุ่นเสมอ

### การประกอบหรือการถอดดัดลับแบตเตอรี่ (ภาพที่ 1)

- ปิดสวิตช์เครื่องดูดฝุ่นทุกครั้งก่อนการประกอบหรือถอดดัดลับแบตเตอรี่
- สำหรับการถอดดัดลับแบตเตอรี่ ให้ถอดดัดลับแบตเตอรี่ออกจากเครื่องดูดฝุ่นโดยการเลื่อนปุ่มที่ด้านหน้าของดัดลับแบตเตอรี่ตามที่แสดงในภาพ
- ในการใส่ดัดลับแบตเตอรี่ ให้จัดแนวลิ้นของดัดลับแบตเตอรี่ให้ตรงกับร่องในฝาครอบเครื่องและเลื่อนให้เข้าที่ ใส่แบตเตอรี่เข้าไปจนสุดจนกว่าจะลึกลงเข้าที่สนิทโดยจะได้ยินเสียงดังคลิกเบาๆ หากคุณยังมองเห็นส่วนสีแดงที่อยู่ด้านบนของปุ่ม แสดงว่ายังไม่ลึกลงเข้าที่ ใส่เข้าไปจนสุดจนกว่าจะมองไม่เห็นส่วนสีแดง หากไม่เช่นนั้น แบตเตอรี่อาจร่วงหล่นออกจากเครื่องดูดฝุ่นอย่างไม่ตั้งใจและทำให้คุณหรือบุคคลอื่นที่อยู่รอบๆ ได้รับความเจ็บ

## ระบบป้องกันแบตเตอรี่

เครื่องดูดฝุ่นมีระบบป้องกันติดตั้งอยู่ซึ่งจะตัดกำลังไฟขาออกโดยอัตโนมัติเพื่อให้อายุการใช้งานของเครื่องยาวนานขึ้น เครื่องดูดฝุ่นอาจหยุดชะงักระหว่างการทำงาน เมื่อเครื่องดูดฝุ่นและ/หรือแบตเตอรี่อยู่ภายใต้สถานการณ์ต่อไปนี้ กรณีนี้เกิดขึ้นจากการเปิดใช้งานระบบป้องกันและไม่แสดงว่าเครื่องดูดฝุ่นมีปัญหา

- เมื่อเครื่องดูดฝุ่นทำงานหนักเกินไป:

ในตอนนี ให้กดปุ่ม "ปิด" และแก้ไขสาเหตุของการที่เครื่องทำงานหนักเกินไป จากนั้นกดปุ่ม "สูง/ต่ำ" อีกครั้งเพื่อรีเซ็ตเครื่อง

- เมื่อดัดลับแบตเตอรี่มีความร้อน: (โปรดอ่านหมายเหตุด้านล่าง) หากมีการใช้งานปุ่ม "สูง/ต่ำ" และปุ่ม "ปิด" มอเตอร์จะยังคงหยุดทำงาน ในตอนนี ให้หยุดการใช้งานเครื่องดูดฝุ่น และปล่อยให้ดัดลับแบตเตอรี่เย็น หรือเปลี่ยนดัดลับแบตเตอรี่หลังจากถอดออกจากเครื่องดูดฝุ่น

- เมื่อความจุแบตเตอรี่คงเหลือเริ่มน้อยลง:

หากมีการใช้งานปุ่ม "สูง/ต่ำ" และปุ่ม "ปิด" มอเตอร์จะยังคงหยุดทำงาน ในตอนนี ให้ถอดดัดลับแบตเตอรี่ออกจากเครื่องดูดฝุ่น และนำไปชาร์จใหม่

### หมายเหตุ:

- ระบบป้องกันที่มีความไวต่ออุณหภูมิจะถูกนำมาใช้เมื่อใช้งานเครื่องดูดฝุ่นร่วมกับดัดลับแบตเตอรี่ที่มีเครื่องหมายรูปดาวเท่านั้น (ภาพที่ 2)








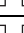
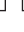
## การแสดงความจุไฟฟ้าของแบตเตอรี่ที่ยังคง

### เหลืออยู่

(เฉพาะดัดลับแบตเตอรี่ที่มี "B" ที่ตอนท้ายของหมายเลขรุ่น)

### (ภาพที่ 3)

กดปุ่มตรวจสอบบนดัดลับแบตเตอรี่เพื่อแสดงความจุไฟฟ้าของแบตเตอรี่ที่ยังคงเหลืออยู่ ไฟแสดงสถานะจะติดเป็นเวลาสองสามวินาที

ไฟแสดงสถานะ			ระดับพลังงานที่เหลือ
 สว่าง	 ดับ	 กะพริบ	
			75% ถึง 100%
			50% ถึง 75%
			25% ถึง 50%
			0% ถึง 25%
			ชาร์จแบตเตอรี่
			แบตเตอรี่อาจทำงานผิดปกติ

015658

#### หมายเหตุ:

- ปริมาณแบตเตอรี่ที่แสดงอาจแตกต่างจากปริมาณแบตเตอรี่จริงเล็กน้อย ทั้งนี้ขึ้นอยู่กับสภาพการใช้งานและอุณหภูมิแวดล้อม

#### การทำงานของสวิตช์ (ภาพที่ 4)

หากต้องการเริ่มต้นใช้งานเครื่องดูดฝุ่น ให้กดปุ่ม "สูง/ต่ำ" หากต้องการปิดสวิตช์ ให้กดปุ่ม "ปิด" หากต้องการเปลี่ยนระดับความเร็วของเครื่องดูดฝุ่น ให้กดปุ่ม "สูง/ต่ำ" การกดปุ่มนี้ครั้งแรกเป็นการตั้งค่าสำหรับระดับความเร็วสูง ส่วนการกดปุ่มครั้งที่สองสำหรับระดับความเร็วต่ำ และการกดปุ่มนี้แต่ละครั้งจะเป็นการทำซ้ำวงจรความเร็วสูง/ต่ำอย่างใดอย่างหนึ่ง

#### ชิ้นส่วนของเครื่อง

##### ⚠️ ข้อควรระวัง:

- ตรวจสอบว่าปิดสวิตช์เครื่องดูดฝุ่นและถอดด้ามแบตเตอรี่ออกเสมอก่อนที่จะใช้งานใดๆ กับเครื่องดูดฝุ่น
- การทำงานใดๆ โดยที่ยังมีด้ามแบตเตอรี่ติดตั้งอยู่ในเครื่องดูดฝุ่น อาจทำให้เกิดการบาดเจ็บหรือทำให้วัตถุร่อนๆ เครื่องดูดฝุ่นเสียหาย

#### การประกอบถุงเก็บฝุ่น (ภาพที่ 5)

ถือส่วนที่เป็นสี่เหลี่ยมของจุดเชื่อมต่อถุงเก็บฝุ่นและจัดเดือยข้างในจุดเชื่อมต่อถุงเก็บฝุ่นให้ลงไปในเรื่องที่อยู่ในช่องดูดฝุ่นของตัวเครื่อง จากนั้นให้เสียบช่องดูดฝุ่น และหมุนตามเข็มนาฬิกาไปจนสุด (ภาพที่ 6)

ในเวลานี้ ให้ตรวจสอบว่าส่วนที่ยึดกับถุงเก็บฝุ่นหันขึ้นด้านบน

#### หมายเหตุ:

- หากจุดเชื่อมต่อถุงเก็บฝุ่นและแหวนด้านในถุงเก็บฝุ่นหลุดออกมา ให้ประกอบดังนี้
  - จัดตำแหน่งจุดเชื่อมต่อถุงเก็บฝุ่นให้ตรงกับรอยต่อของถุงเก็บฝุ่น และประกอบโดยให้ส่วนที่ยื่นออกมามีหน้าขึ้นด้านบน (ภาพที่ 7)
  - ขันแหวนด้านในของถุงเก็บฝุ่นให้แน่นเพื่อให้เดือยและแหวนอยู่ในตำแหน่งที่แสดงในภาพประกอบ (ภาพที่ 8)

#### การประกอบสายพาดไหล่ (ภาพที่ 9)

เกี่ยวปลายลิมลิตค้ำด้านหนึ่งของสายพาดไหล่ที่อยู่บนแหวนทางด้านหน้าของเครื่องดูดฝุ่นและดันปลายอีกด้านหนึ่งของสายผ่านตัวเกี่ยวของถุงเก็บฝุ่น แล้วเกี่ยวปลายลิมลิตค้ำด้านหนึ่งตามที่แสดงในภาพ

#### การปรับสายพาดไหล่ (ภาพที่ 10)

ในการปรับความยาวของสายพาดไหล่ ให้ดึงสายออกมาตามความยาวที่ต้องการและดึงสายตามทิศทางของลูกศรดังที่แสดงในภาพประกอบ

#### การเชื่อมต่อท่อดูด

##### ⚠️ ข้อควรระวัง:

- อย่าใช้แรงเพื่อโค้งงอท่อดูด และ/หรือบีบอัดท่อดูด การใช้แรงกดและ/หรือการบีบอัดท่อดูดอาจทำให้ท่อดูดเสียรูปทรงหรือเกิดความเสียหายได้
  - อย่าดึงท่อดูดเพื่อหัวเครื่องดูดฝุ่น การดึงท่อดูดอาจทำให้ท่อดูดเสียรูปทรงหรือเกิดความเสียหายได้ (ภาพที่ 11)
- เสียบปลายด้าน "A" ของท่อดูดเข้ากับช่องดูดของเครื่องดูดฝุ่นและหมุนตามเข็มนาฬิกาไปรอบๆ จนกว่าจะล็อกสนิท ประกอบข้อลดขนาดทางด้านปลาย "B" ของท่อดูด แล้วเชื่อมต่อกับช่องดูดฝุ่นของเครื่องมือไฟฟ้า

#### การเปลี่ยนข้อลดขนาดด้านหน้า

เปลี่ยนข้อลดขนาดด้านหน้าของท่อดูดตามขนาดช่องดูดฝุ่นของเครื่องมือไฟฟ้าที่คุณใช้งานอยู่ (ภาพที่ 12)

ในการถอดข้อลดขนาดด้านหน้า ให้ถือท่อดูดไว้และหมุนข้อลดขนาดทวนเข็มนาฬิกา

ในการประกอบข้อลดขนาดด้านหน้า ให้หมุนข้อลดขนาดตามเข็มนาฬิกา แล้วหมุนไปจนสุด

#### การทำงาน

##### ⚠️ คำเตือน:

- อย่าใช้สายพาดไหล่เมื่อทำงานบนที่สูง
- เมื่อใช้เครื่องดูดฝุ่นเป็นเครื่องทำความสะอาดที่ติดตั้งอยู่กับที่ ให้วางตัวเครื่องลงบนพื้นผิวระนาบที่มีความมั่นคง

## เครื่องดูดฝุ่น (ภาพที่ 13)

เมื่อใช้เครื่องดูดฝุ่นเป็นเครื่องทำความสะอาดแบบพกพา การใส่สายพาดไหล่แบบสะพายหลังเหนือหน้าอกจะทำให้เครื่องดูดฝุ่นร่วงหลังได้ยาก (ภาพที่ 14)

### หมายเหตุ:

- การตัดกระดาษตกแต่งตามแนวยาวที่อาจเกิดจากการตัดแผ่นกระดาษปิดฝาผนังจะขึ้นอยู่กับสภาพของชิ้นงานที่จะตัด และวัสดุดังกล่าวอาจหล่นลงไปอยู่ข้างในท่อดูดอันเป็นสาเหตุให้ท่อดูดเกิดการอุดตัน หากเกิดกรณีนี้ขึ้น ให้เปลี่ยนการตั้งค่าความถี่รอบตัดของเครื่องมือไฟฟ้าให้ลึกขึ้นซึ่งจะช่วยให้การอุดตันของท่อดูดลดลง

### ⚠ ข้อควรระวัง:

- เมื่อใช้งานถุงฝุ่นชิ้นใหม่ ฝุ่นอาจหลุดร่วงออกมาจากพื้นผิวของถุงเก็บฝุ่น การใช้ถุงเก็บฝุ่นสักสองสามครั้งจะช่วยให้ฝุ่นผงหลุดร่วงออกมาจากพื้นผิวน้อยลง

## การทำงานกับเครื่องดูดฝุ่นที่มีหัวฉีดลมหรือถุงเก็บฝุ่นติดตั้งอยู่

### ⚠ คำเตือน:

- ตรวจสอบว่าปัดสวิทช์เครื่องดูดฝุ่นและถอดด้ามแบบเตอรีออกก่อนทำการประกอบหรือถอดหัวฉีดลมหรืออุปกรณ์เสริมอื่นๆ เข้ากับเครื่องดูดฝุ่นเสมอ การไม่ปัดสวิทช์เครื่องและถอดด้ามแบบเตอรีออกก่อนอาจทำให้ได้รับบาดเจ็บอย่างร้ายแรง

### หมายเหตุ:

- ก่อนการใช้งานในโหมดของเครื่องเป่าลมทันทีหลังจากใช้งานในโหมดของเครื่องดูดฝุ่น ให้นำฝุ่นผงที่เหลืออยู่ทั้งหมดออกจากเครื่องดูดฝุ่นเพื่อให้สามารถเป่าลมออกมาได้โดยไม่มีฝุ่น

## การใช้เป็นเครื่องเป่าลม (ภาพที่ 15)

ประกอบหัวฉีดลมเข้ากับท่อลม (ท่อระบายอากาศ) โดยไม่มีข้อผิดพลาด

ในการประกอบหัวฉีดลม ให้นำส่วนที่ยื่นออกมาจากข้างในหัวฉีดลมลงไปในเรื่องหนึ่งของเครื่องดูดฝุ่น และหมุนหัวฉีดลมตามเข็มนาฬิกาให้แน่น

ในการถอดหัวฉีดลม ให้หมุนทวนเข็มนาฬิกาและดึงหัวฉีดลมออกมา

จัดตำแหน่งจุดด้านบนของเครื่องดูดฝุ่นแล้วเปิดสวิทช์เครื่อง

## การนำฝุ่นออกจากถุงเก็บฝุ่น

### ⚠ คำเตือน:

- ตรวจสอบว่าปัดสวิทช์เครื่องดูดฝุ่นและเครื่องมือไฟฟ้าที่เชื่อมต่อแล้ว และถอดด้ามแบบเตอรีออก ถอดปลั๊กของเครื่องมือไฟฟ้าออกถ้าเป็นเครื่องมือที่มีสายไฟ ก่อนทำ

การประกอบหรือถอดถุงเก็บฝุ่นเข้ากับเครื่องดูดฝุ่น และเทฝุ่นผงออกจากถุงเก็บฝุ่น (ที่ทำจากผ้า) ให้หมด หากไม่ปัดสวิทช์ ถอดด้ามแบบเตอรีออก หรือถอดปลั๊กของเครื่องมือไฟฟ้าที่เชื่อมต่ออาจทำให้เกิดไฟฟ้าช็อตและได้รับบาดเจ็บสาหัส

- เมื่อถุงเก็บฝุ่นบรรจุฝุ่นผงประมาณครึ่งถุง ให้ถอดถุงเก็บฝุ่นออกจากเครื่องดูดฝุ่น และดึงตัวยึดออก นำฝุ่นผงในถุงเก็บฝุ่นไปเททิ้ง เคาะถุงเบาๆ เพื่อให้อนุภาคเล็กๆ ที่ติดอยู่ภายในถุงหลุดออกมาซึ่งอาจรบกวนการกักเก็บฝุ่นผงครั้งต่อไป

### หมายเหตุ:

- ในการนำฝุ่นผงจากถุงเก็บฝุ่นไปเททิ้ง แนวทางเทียบเคียงว่าถุงเก็บฝุ่นบรรจุฝุ่นเต็มแล้วคือ เมื่อทำการเจาะคอนกรีตประมาณ 450 รู โดยแต่ละรูมีเส้นผ่านศูนย์กลาง 6.5 มม. และมีความลึก 40 มม. ถุงเก็บฝุ่นที่อุดตันด้วยเศษอนุภาคสะสมอาจทำให้กำลังการจัดเก็บฝุ่นลดลงและอาจทำให้มอเตอร์ของเครื่องดูดฝุ่นชำรุดเสียหาย

### ⚠ ข้อควรระวัง:

- ประกอบถุงเก็บฝุ่น (ที่ทำจากผ้า) เข้ากับจุดเชื่อมต่อถุงเก็บฝุ่นจนแน่นและปิดตัวยึดให้สนิทก่อนใช้งาน หากไม่ประกอบถุงเก็บฝุ่น (ที่ทำจากผ้า) เข้ากับจุดเชื่อมต่อถุงเก็บฝุ่นจนแน่นและปิดตัวยึดให้สนิทแล้วอาจทำให้อันตรายกระจายออกมา และเป็นสาเหตุให้เกิดการบาดเจ็บสาหัส (ภาพที่ 16) ถือส่วนที่เป็นสี่เหลี่ยมของจุดเชื่อมต่อถุงเก็บฝุ่นให้มั่นคง หมุนทวนเข็มนาฬิกา แล้วถอดถุงเก็บฝุ่นออก เปิดตัวยึดออก และเทฝุ่นผงทิ้งไป (ภาพที่ 17)

### ⚠ ข้อควรระวัง:

- นำฝุ่นผงบริเวณส่วนที่ยึดติดกันออกให้หมด

## การดูแลรักษา

### ⚠ คำเตือน:

- ตรวจสอบว่าปัดสวิทช์เครื่องดูดฝุ่นและถอดด้ามแบบเตอรีออกเสมอก่อนทำการตรวจสอบหรือดูแลรักษาเครื่อง

## การทำความสะอาดส่วนไส้กรอง

### ⚠ ข้อควรระวัง:

- อย่านำไปใช้กับวัสดุอื่นๆ ที่ไม่ใช่ฝุ่นผง เช่น ก้อนหิน เศษไม้ และวัตถุในลักษณะเดียวกัน เนื่องจากเครื่องดูดฝุ่นนั้นผลิตขึ้นมาเพื่อใช้ดูดฝุ่น การนำไปใช้กับก้อนหิน เศษไม้ และวัตถุในลักษณะเดียวกันอาจทำให้ใบพัดและเครื่องดูดฝุ่นชำรุดเสียหาย (ภาพที่ 18)

ตรวจสอบและทำความสะอาดส่วนไส้กรองในท่อดูดอย่างสม่ำเสมอ นำวัตถุแปลกปลอมที่จะอุดตันท่อดูดออก

## การทำความสะอาด

ให้ใช้ผ้าหมาดชุบน้ำสบู่เช็ดภายนอก (ตัวเครื่องดูดฝุ่น) ของเครื่องดูดฝุ่นอย่างสม่ำเสมอ

### ⚠️ ข้อควรระวัง:

- อย่าใช้น้ำมันเชื้อเพลิง เบนซิน ทินเนอร์ แอลกอฮอล์ หรือวัสดุประเภทเดียวกัน เพราะอาจทำให้เครื่องมือเสียหาย ฝังรูปทรง หรือแตกหักได้

เพื่อดูแลให้ผลิตภัณฑ์มีความปลอดภัยและไว้วางใจได้ ควรนำส่งผลิตภัณฑ์ให้แก่ศูนย์บริการที่ได้รับอนุญาตของ Makita ดำเนินการซ่อมแซม ดูแลรักษา หรือเปลี่ยนอะไหล่ และใช้อะไหล่แท้ของ Makita เท่านั้น

## อุปกรณ์เสริม

### ⚠️ ข้อควรระวัง:

- ขอแนะนำให้ใช้อุปกรณ์เสริมหรือส่วนประกอบเหล่านี้กับเครื่องดูดฝุ่น Makita ของคุณตามที่ระบุในคู่มือนี้ การใช้อุปกรณ์เสริมหรือส่วนประกอบอื่นอาจทำให้ผู้ใช้ได้รับบาดเจ็บ ใช้อุปกรณ์เสริมหรือส่วนประกอบตามที่ระบุไว้เท่านั้น

หากคุณต้องการทราบรายละเอียดเพิ่มเติมเกี่ยวกับอุปกรณ์เสริมดังกล่าว โปรดสอบถามศูนย์บริการของ Makita ในพื้นที่ของคุณ

- หัวฉีดลม
- ถุงเก็บฝุ่น
- ท่อดูด
- ข้อลวดขนาดด้านหน้า
- สายพาดไหล่
- แบตเตอรี่และแท่นชาร์จของแท้ของ Makita

### หมายเหตุ:

- อุปกรณ์เสริมบางรายการอาจเป็นอุปกรณ์เสริมมาตรฐานที่รวมอยู่ในชุดเครื่องมือแล้ว ทั้งนี้ อาจมีความแตกต่างกันในแต่ละประเทศ



**Makita Corporation**

Anjo, Aichi, Japan

[www.makita.com](http://www.makita.com)

885299C373

ALA