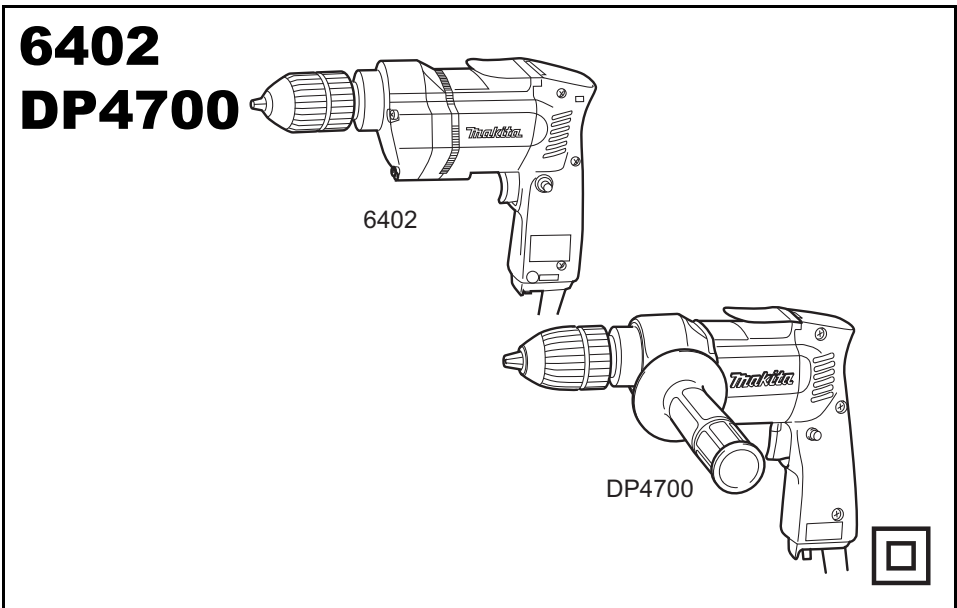
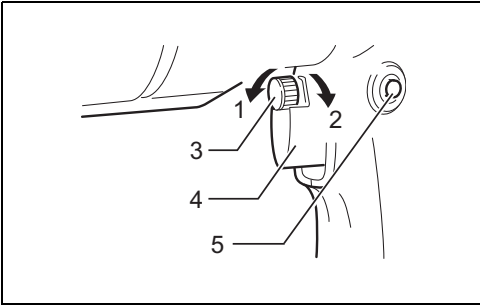




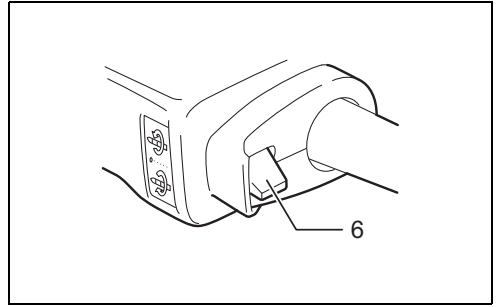
<b>GB</b> Drill	Instruction manual
<b>ZHCN</b> 电钻	使用说明书
<b>ID</b> Bor	Petunjuk penggunaan
<b>VI</b> Máy khoan	Tài liệu hướng dẫn
<b>TH</b> สว่านไฟฟ้า	คู่มือการใช้งาน





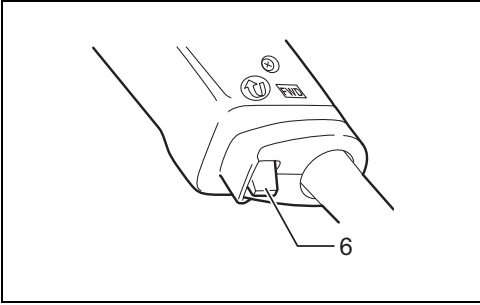
1

004621



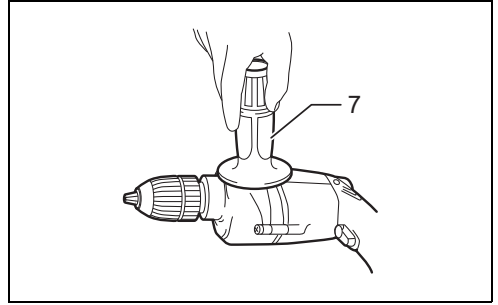
2

004628



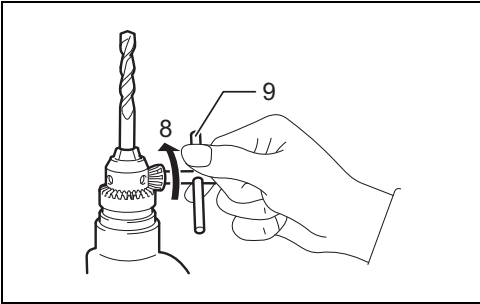
3

004630



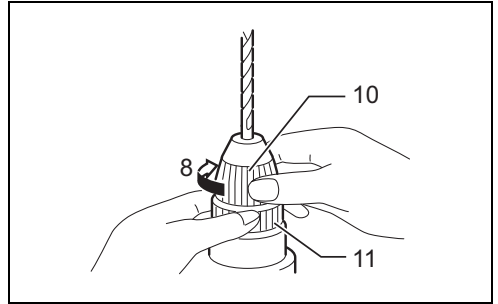
4

004635



5

004643



6


004650

## ENGLISH

### Explanation of general view

- |                        |                           |              |
|------------------------|---------------------------|--------------|
| 1. Low                 | 5. Lock button            | 9. Chuck key |
| 2. High                | 6. Reversing switch lever | 10. Sleeve   |
| 3. Speed control screw | 7. Side grip              | 11. Ring     |
| 4. Switch trigger      | 8. Tighten                |              |

## SPECIFICATIONS

Model		6402	DP4700
Capacities	Steel	10 mm	13 mm
	Wood	21 mm	36 mm
No load speed (min <sup>-1</sup> )		0 - 1,200	0 - 550
Overall length		264 mm	275 mm
Net weight		1.5 kg	2.2 kg
Safety class			

- Due to our continuing programme of research and development, the specifications herein are subject to change without notice.
- Specifications may differ from country to country.
- Weight according to EPTA-Procedure 01/2003

END201-5

### Symbols

The following show the symbols used for the equipment. Be sure that you understand their meaning before use.



.... Read instruction manual.



..... DOUBLE INSULATION

ENE032-1

### Intended use

The tool is intended for drilling in wood, metal and plastic.

### Power supply

The tool should be connected only to a power supply of the same voltage as indicated on the nameplate, and can only be operated on single-phase AC supply. They are double-insulated in accordance with European Standard and can, therefore, also be used from sockets without earth wire.

ENF002-1

## General Power Tool Safety Warnings

**⚠ WARNING! Read all safety warnings and all instructions.** Failure to follow the warnings and instructions may result in electric shock, fire and/or serious injury.

GEA005-3

## Save all warnings and instructions for future reference.

The term “power tool” in the warnings refers to your mains-operated (corded) power tool or battery-operated (cordless) power tool.

### Work area safety

1. **Keep work area clean and well lit.** Cluttered or dark areas invite accidents.
2. **Do not operate power tools in explosive atmospheres, such as in the presence of flammable liquids, gases or dust.** Power tools create sparks which may ignite the dust or fumes.
3. **Keep children and bystanders away while operating a power tool.** Distractions can cause you to lose control.

### Electrical safety

4. **Power tool plugs must match the outlet. Never modify the plug in any way. Do not use any adapter plugs with earthed (grounded) power tools.** Unmodified plugs and matching outlets will reduce risk of electric shock.
5. **Avoid body contact with earthed or grounded surfaces such as pipes, radiators, ranges and refrigerators.** There is an increased risk of electric shock if your body is earthed or grounded.
6. **Do not expose power tools to rain or wet conditions.** Water entering a power tool will increase the risk of electric shock.
7. **Do not abuse the cord. Never use the cord for carrying, pulling or unplugging the power tool. Keep cord away from heat, oil, sharp edges or moving parts.** Damaged or entangled cords increase the risk of electric shock.

8. **When operating a power tool outdoors, use an extension cord suitable for outdoor use.** Use of a cord suitable for outdoor use reduces the risk of electric shock.
9. **If operating a power tool in a damp location is unavoidable, use a residual current device (RCD) protected supply.** Use of an RCD reduces the risk of electric shock.
10. **Use of power supply via a RCD with a rated residual current of 30 mA or less is always recommended.**

#### Personal safety

11. **Stay alert, watch what you are doing and use common sense when operating a power tool. Do not use a power tool while you are tired or under the influence of drugs, alcohol or medication.** A moment of inattention while operating power tools may result in serious personal injury.
12. **Use personal protective equipment. Always wear eye protection.** Protective equipment such as dust mask, non-skid safety shoes, hard hat, or hearing protection used for appropriate conditions will reduce personal injuries.
13. **Prevent unintentional starting. Ensure the switch is in the off-position before connecting to power source and/or battery pack, picking up or carrying the tool.** Carrying power tools with your finger on the switch or energising power tools that have the switch on invites accidents.
14. **Remove any adjusting key or wrench before turning the power tool on.** A wrench or a key left attached to a rotating part of the power tool may result in personal injury.
15. **Do not overreach. Keep proper footing and balance at all times.** This enables better control of the power tool in unexpected situations.
16. **Dress properly. Do not wear loose clothing or jewellery. Keep your hair, clothing, and gloves away from moving parts.** Loose clothes, jewellery or long hair can be caught in moving parts.
17. **If devices are provided for the connection of dust extraction and collection facilities, ensure these are connected and properly used.** Use of dust collection can reduce dust-related hazards.

#### Power tool use and care

18. **Do not force the power tool. Use the correct power tool for your application.** The correct power tool will do the job better and safer at the rate for which it was designed.
19. **Do not use the power tool if the switch does not turn it on and off.** Any power tool that cannot be controlled with the switch is dangerous and must be repaired.
20. **Disconnect the plug from the power source and/or the battery pack from the power tool before making any adjustments, changing accessories, or storing power tools.** Such preventive safety measures reduce the risk of starting the power tool accidentally.
21. **Store idle power tools out of the reach of children and do not allow persons unfamiliar with the power tool or these instructions to operate the**

**power tool.** Power tools are dangerous in the hands of untrained users.

22. **Maintain power tools. Check for misalignment or binding of moving parts, breakage of parts and any other condition that may affect the power tool's operation. If damaged, have the power tool repaired before use.** Many accidents are caused by poorly maintained power tools.
23. **Keep cutting tools sharp and clean.** Properly maintained cutting tools with sharp cutting edges are less likely to bind and are easier to control.
24. **Use the power tool, accessories and tool bits etc. in accordance with these instructions, taking into account the working conditions and the work to be performed.** Use of the power tool for operations different from those intended could result in a hazardous situation.

#### Service

25. **Have your power tool serviced by a qualified repair person using only identical replacement parts.** This will ensure that the safety of the power tool is maintained.
26. **Follow instruction for lubricating and changing accessories.**
27. **Keep handles dry, clean and free from oil and grease.**

GEB001-6

## DRILL SAFETY WARNINGS

1. **Use auxiliary handle(s), if supplied with the tool.** Loss of control can cause personal injury.
2. **Hold power tool by insulated gripping surfaces, when performing an operation where the cutting accessory may contact hidden wiring or its own cord.** Cutting accessory contacting a "live" wire may make exposed metal parts of the power tool "live" and could give the operator an electric shock.
3. **Always be sure you have a firm footing. Be sure no one is below when using the tool in high locations.**
4. **Hold the tool firmly.**
5. **Keep hands away from rotating parts.**
6. **Do not leave the tool running. Operate the tool only when hand-held.**
7. **Do not touch the drill bit or the workpiece immediately after operation; they may be extremely hot and could burn your skin.**
8. **Some material contains chemicals which may be toxic. Take caution to prevent dust inhalation and skin contact. Follow material supplier safety data.**

## SAVE THESE INSTRUCTIONS.

### WARNING:

**DO NOT** let comfort or familiarity with product (gained from repeated use) replace strict adherence to safety rules for the subject product. **MISUSE** or failure to follow the safety rules stated in this instruction manual may cause serious personal injury.

# FUNCTIONAL DESCRIPTION

## ⚠ CAUTION:

- Always be sure that the tool is switched off and unplugged before adjusting or checking function on the tool.

## Switch action (Fig. 1)

### ⚠ CAUTION:

- Before plugging in the tool, always check to see that the switch trigger actuates properly and returns to the "OFF" position when released.

To start the tool, simply pull the switch trigger. Tool speed is increased by increasing pressure on the switch trigger. Release the switch trigger to stop.

For continuous operation, pull the switch trigger and then push in the lock button.



To stop the tool from the locked position, pull the switch trigger fully, then release it.

A speed control screw is provided so that maximum tool speed can be limited (variable).

Turn the speed control screw clockwise for higher speed, and counterclockwise for lower speed.

## Reversing switch action

### For Model DP4700 only (Fig. 2)

This tool has a reversing switch to change the rotational direction. Move the reversing switch lever to the  position for clockwise (forward) rotation or the  position for counterclockwise (reverse) rotation.

### For Model 6402 (Fig. 3)

This tool has a reversing switch to change the rotational direction. Move the reversing switch lever to the "FWD" position for clockwise (forward) rotation or the "REV" position for counterclockwise (reverse) rotation.

## ⚠ CAUTION:

- Always check the rotational direction before operation.
- Use the reversing switch only after the tool comes to a complete stop. It will damage the tool to change the rotational direction before the tool stops.

# ASSEMBLY

## ⚠ CAUTION:

- Always be sure that the tool is switched off and unplugged before carrying out any work on the tool.

## Installing side grip (auxiliary handle)

### For Model DP4700 (Fig. 4)

## ⚠ CAUTION:

- Always be sure that the side grip is installed securely before operation.

Screw the side grip on the tool securely.

## Installing or removing drill bit

### For tool with standard keyed chuck (Fig. 5)

To install the bit, place it in the chuck as far as it will go. Tighten the chuck by hand. Place the chuck key in each of the three holes and tighten clockwise. Be sure to tighten all three chuck holes evenly.

To remove the bit, turn the chuck key counterclockwise in just one hole, then loosen the chuck by hand. After using the chuck key, be sure to return to the original position.

### For tool with keyless chuck (Fig. 6)

Hold the ring and turn the sleeve counterclockwise to open the chuck jaws. Place the bit in the chuck as far as it will go. Hold the ring firmly and turn the sleeve clockwise to tighten the chuck.

To remove the bit, hold the ring and turn the sleeve counterclockwise.

# OPERATION

## Holding tool

### For Model DP4700

Hold the tool firmly with one hand on the gripping part of the tool and the other hand on the side grip when performing the tool.

## Drilling operation

### Drilling in wood

When drilling in wood, the best results are obtained with wood drills equipped with a guide screw. The guide screw makes drilling easier by pulling the bit into the workpiece.

### Drilling in metal

To prevent the bit from slipping when starting a hole, make an indentation with a center-punch and hammer at the point to be drilled. Place the point of the bit in the indentation and start drilling.

Use a cutting lubricant when drilling metals. The exceptions are iron and brass which should be drilled dry.

## ⚠ CAUTION:

- Pressing excessively on the tool will not speed up the drilling. In fact, this excessive pressure will only serve to damage the tip of your bit, decrease the tool performance and shorten the service life of the tool.
- There is a tremendous twisting force exerted on the tool/bit at the time of hole breakthrough. Hold the tool firmly and exert care when the bit begins to break through the workpiece.
- A stuck bit can be removed simply by setting the reversing switch to reverse rotation in order to back out. However, the tool may back out abruptly if you do not hold it firmly.
- Always secure small workpieces in a vise or similar hold-down device.
- Avoid drilling in material that you suspect contains hidden nails or other things that may cause the bit to bind or break.

# MAINTENANCE

## ⚠ CAUTION:

- Always be sure that the tool is switched off and unplugged before attempting to perform inspection or maintenance.
  - Never use gasoline, benzene, thinner, alcohol or the like. Discoloration, deformation or cracks may result.
- To maintain product SAFETY and RELIABILITY, repairs, carbon brush inspection and replacement, any other

maintenance or adjustment should be performed by Makita Authorized Service Centers, always using Makita replacement parts.

## OPTIONAL ACCESSORIES

### CAUTION:

- These accessories or attachments are recommended for use with your Makita tool specified in this manual. The use of any other accessories or attachments might present a risk of injury to persons. Only use accessory or attachment for its stated purpose.

If you need any assistance for more details regarding these accessories, ask your local Makita Service Center.

- Drill bits
- Keyless drill chuck
- Chuck key
- Grip 36

### NOTE:

- Some items in the list may be included in the tool package as standard accessories. They may differ from country to country.

一般外观说明

- |           |          |        |
|-----------|----------|--------|
| 1. 低      | 5. 锁定按钮  | 9. 卡盘键 |
| 2. 高      | 6. 反转切换柄 | 10. 套筒 |
| 3. 速度控制螺丝 | 7. 侧把手   | 11. 挡圈 |
| 4. 开关扳机   | 8. 拧紧    |        |

**规格**


型号		6402	DP4700
能力	钢材	10 mm	13 mm
	木材	21 mm	36 mm
空载速度 (r/min)		0 - 1,200	0 - 550
长度		264 mm	275 mm
净重		1.5 kg	2.2 kg
安全等级		回/II	


- 由于持续的研发计划，生产者保留变更规格不另行通知之权利。
- 规格可能因销往国家之不同而异。
- 重量符合 EPTA-Procedure 01/2003

END201-5

**符号**

以下显示本设备使用的符号。在使用工具之前请务必理解其含义。

 ... 阅读使用说明书。

 ..... 双重绝缘

ENE032-1

**用途**

本工具用于在木材、金属和塑料中钻孔。

ENF002-1

**电源**

本工具只可连接电压与铭牌所示电压相同的电源，且仅可使用单相交流电源。本工具根据欧洲标准达到双重绝缘，因此也可用于不带接地线的插座。

GEA005-3

**电动工具一般安全警告**

**⚠ 警告！请通读所有的安全警告和所有的说明事项。**若不遵循警告和说明事项，可能导致触电、起火和 / 或严重的人身伤害。

**请保留所有的警告和说明事项，以备日后参考。**

警告中所说的“电动工具”指用电源（接线式）或电池（充电式）驱动的电动工具。

**工作区域安全事项**

1. 保持工作区域清洁，照明情况良好。混乱或黑暗的工作区域容易招致意外情况发生。
2. 请勿在易爆环境，如有可燃性液体、气体或粉尘的环境下操作电动工具。电动工具产生的火花可能会引燃粉尘或气体。
3. 操作电动工具时请让儿童和旁观者远离。操作时的分心会使您无法正常控制工具。

**电气安全事项**

4. 电动工具的插头必须与插座相匹配。切勿以任何方式对插头进行改装。请勿将任何适配器插头用于接地的电动工具。未经改装的插头和相匹配的插座可降低触电的危险。
5. 请避免与接地的表面如管子、散热器、炉灶以及冰箱等进行身体接触。如果您的身体接地，将会增加触电的危险。
6. 请勿将电动工具暴露在雨水或潮湿的环境中。水进入电动工具将增加触电的危险。

7. 请勿滥用导线。切勿用导线拖拽工具或拔下电动工具的插头。避免使导线受热、沾染油脂，碰到尖锐的边缘或移动的部件。破损或缠绕的导线会增加触电的危险。
8. 在户外操作电动工具时，请使用户外专用的延长线。使用户外专用的导线可降低触电的危险。
9. 如果必须要在潮湿的场所操作电动工具时，请使用带剩余电流装置（RCD）保护功能的电源。使用 RCD 可降低触电的危险。
10. 始终建议通过额定剩余电流为 **30 mA** 或以下的 **RCD** 来使用电源。

#### 人身安全注意事项

11. 操作电动工具时请保持警惕，注意您的操作，并运用常识。请勿在疲惫或受到麻醉品、酒精或其他药物作用影响下操作电动工具。在操作电动工具期间分心可能会导致严重的人身伤害。
12. 请使用个人劳防用品。请务必佩戴安全眼镜。正确使用防尘面罩、防滑安全鞋、硬质帽子或耳罩等劳防用品可减少人身伤害的危险。
13. 防止意外启动。在连接至电源和 / 或电池组，拿起或搬运工具之前，请确保开关处于关闭位置。搬运工具时手指放在开关上或者在开关打开的情况下给工具通电会招致意外情况发生。
14. 在启动工具之前请取下所有的调节钥匙或扳手。如果工具的旋转部件上留有扳手或调节钥匙，则可能会导致人身伤害。
15. 操作时手不要伸得太长。操作时请双脚站稳，始终保持平衡。这样可在意外情况下较好地控制工具。
16. 着装适当。不要穿宽松衣服或佩戴饰品。勿使您的头发、衣服和手套靠近移动的部件。宽松衣服、佩饰或长发可能会卷入移动的部件。
17. 如果提供了与除尘和集尘设备连接用的装置，请确保将其正确连接和使用。使用集尘设备可减少与粉尘有关的危害。

#### 电动工具的使用和保养

18. 不要滥用电动工具。根据用途使用正确的电动工具。使用工具时不可超出其设计额定值，这样才能更好、更安全地完成作业。
19. 如果工具的开关无法使工具开启和关闭，则请勿使用该工具。无法通过开关控制的电动工具非常危险，必须进行维修。

20. 在进行任何调节、更换附件或存放电动工具之前，请将插头从电源上拔下，并且 / 或将电池组从工具上取下。这种防护性的安全措施可降低电动工具意外启动的风险。
21. 将闲置的电动工具存放于儿童无法触及之处，并且不得让任何不熟悉工具或这些说明事项的人员操作工具。电动工具在未经训练的用户手中是危险的。
22. 保养电动工具。检查运动部件是否调整到位或卡住，检查零件破损情况和影响电动工具运行的其他状况。如有损坏，应在使用前修理好电动工具。许多事故是由维护不良的电动工具引发的。
23. 保持切割工具的锋利和清洁。保养良好，具有锋利切边的切割工具不易粘连，并且易于控制。
24. 按照这些说明事项，根据作业条件和作业特点来使用电动工具、附件和钻头。将电动工具用于除了这些设计用途以外的操作时将导致意外情况发生。

#### 维修服务

25. 请将您的电动工具交由有资格的专业维修人员处理，仅可使用与原部件相同的更换部件。这样可确保工具的安全性。
26. 根据说明进行润滑和更换附件。
27. 保持把手干燥、清洁，无油污和润滑脂。

GEB001-6

## 电钻使用安全警告

1. 如果本工具附有辅助手柄，请使用辅助手柄。失控会造成人身伤害。
2. 当进行作业时切割附件可能会接触到隐藏的电线或自身的电线，请握住工具的绝缘抓握表面。切割附件接触到“带电”的电线时，电动工具上曝露的金属部分可能也会“带电”，并使操作者触电。
3. 请务必确保立足稳固。  
在高处使用工具时确保下方无人。
4. 请紧握本工具。
5. 手应远离旋转的部件。
6. 运行中的工具不可离手放置。只可在手握工具的情况下操作工具。
7. 操作之后，请勿立刻触摸钻头或工件，因为它们可能会非常烫而导致烫伤皮肤。
8. 某些材料含有有毒化学物质。小心不要吸入粉尘，并避免皮肤接触。遵循材料供应商的安全提示。

请保留此说明书。



### ⚠警告:

请勿为图方便或因对产品足够熟悉（由于重复使用而获得的经验）而不严格遵循相关产品安全规则。使用不当或不遵循使用说明书中的安全规则会导致严重的人身伤害。

## 功能描述

### ⚠小心:

- 在调节或检查工具功能之前，请务必关闭工具电源开关并拔下电源插头。

## 开关操作（图 1）

### ⚠小心:

- 插上工具电源插头之前，请务必确认开关扳机能够正常工作，松开时能回到“关闭”位置。

启动工具时，只要扣动开关扳机即可。随着在开关扳机上施加压力的增大，工具速度会提高。松开开关扳机工具即停止。


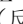
连续操作时，扣动开关扳机并按下锁定按钮。要从锁定位置停止工具时，可将开关扳机扣到底，然后松开。

本工具采用速度控制螺丝，可限制工具的最大速度（可变）。

顺时针转动速度控制螺丝可以提高速度，逆时针转动则降低速度。

## 反转开关操作

### 仅限 DP4700 型（图 2）

本工具设有反转开关，可改变旋转方向。向  位置按压反转切换柄可进行顺时针方向（正向）旋转或向  位置按压进行逆时针方向（反向）旋转。

### 6402 型（图 3）

本工具设有反转开关，可改变旋转方向。向“FWD”按压反转切换柄可进行顺时针方向（正向）旋转或向“REV”位置按压进行逆时针方向（反向）旋转。

### ⚠小心:

- 请在操作前务必检查旋转方向。
- 请在工具完全停止后使用反转开关。在工具停止前改变旋转方向可能会损坏工具。

## 装配

### ⚠小心:

- 对工具进行任何装配操作前请务必确认工具已关闭且已拔下电源插头。

## 安装侧把手（辅助手柄）

### DP4700 型（图 4）

### ⚠小心:

- 在进行操作之前，请务必牢固安装侧把手。将侧把手牢固安装在工具上。

## 安装或拆卸钻头

### 用于带有标准键式卡盘的工具（图 5）

安装钻头时，应将钻头装入卡盘，尽量将其推到底。用手旋紧卡盘。将卡盘键依次放入三个孔中并顺时针旋紧。请务必均匀旋紧三个卡盘孔。

拆下钻头时，将卡盘键插入一个孔中并逆时针旋转，然后用手拧松卡盘。

用完卡盘键后，请务必将其放回原位。

### 用于带有手紧式卡盘的工具（图 6）

握住挡圈，逆时针旋转套筒打开卡盘爪。尽量将钻头放入卡盘最里侧。紧紧握住挡圈，顺时针转动套筒旋紧卡盘。

要卸下钻头时，握住挡圈然后逆时针旋转套筒。

## 操作

### 握持工具

#### DP4700 型

进行操作时，一手握住工具的把手部分，再用另一只手握住工具的侧把手。

### 钻孔操作

#### 在木材上钻孔

在木材上钻孔时，使用带有前导螺丝的木材用钻头将获得最佳效果。这种前导螺丝可令钻孔操作更加轻松。

#### 在金属上钻孔

开始钻孔时，为了防止钻头打滑，可用一尖冲头和锤子金属板上想要钻孔的地方打一痕迹。将钻头尖端放入凹痕，然后开始钻孔。

在金属上钻孔时请使用切割油。但在铁和铜材料上钻孔时应干钻。

### ⚠小心:

- 过分用力按压工具并不会提高钻孔效率。事实上，过大的压力只会损坏钻头尖，降低工具性能，缩短工具使用寿命。
- 钻孔时工具 / 钻头会受到极大的突然扭力。钻头即将钻穿工件时需握紧工具，注意力集中。

- 取出卡住的钻头时，只需将反转开关设为反向旋转便可退出工具。但如果不紧紧握住工具，工具可能突然退出。
- 请务必用虎钳或类似夹紧装置固定小型工件。
- 请勿对可能藏有钉子或其他可能会卡住或损坏钻头的物体的材料进行钻孔操作。

## 保养

### ⚠小心：

- 检查或保养工具之前，请务必关闭工具电源开关并拔下插头。
- 切勿使用汽油、苯、稀释剂、酒精或类似物品清洁工具。否则可能会导致工具变色、变形或出现裂缝。

为了保证产品的安全性与可靠性，任何维修、碳刷检查、更换部件或其它维修保养工作需由 **Makita**（牧田）授权服务中心完成。务必使用 **Makita**（牧田）的替换部件。

## 选购附件

### ⚠小心：

- 这些附件或装置专用于本说明书所列的 **Makita**（牧田）电动工具。使用其他配件或装置存在人身伤害风险。仅可将附件或装置用于规定目的。

如您需要了解更多关于这些选购附件的信息，请咨询当地的 **Makita**（牧田）维修服务中心。

- 钻头
- 手紧式钻机卡盘
- 卡盘键
- 把手 36

### 注：

- 本列表中的一些部件可能作为标准附件包含于工具包装内。它们可能因销往国家之不同而异。

**Penjelasan tampilan keseluruhan**

- |                             |                              |                |
|-----------------------------|------------------------------|----------------|
| 1. Rendah                   | 5. Tombol kunci              | 9. Kunci cekam |
| 2. Tinggi                   | 6. Tuas saklar pembalik arah | 10. Selongsong |
| 3. Sekrup kontrol kecepatan | 7. Gagang sisi               | 11. Cincin     |
| 4. Saklar pemicu            | 8. Kencangkan                |                |

**SPESIFIKASI**

Model		6402	DP4700
Kapasitas	Baja	10 mm	13 mm
	Kayu	21 mm	36 mm
Kecepatan tanpa beban (min <sup>-1</sup> )		0 - 1.200	0 - 550
Panjang keseluruhan		264 mm	275 mm
Berat bersih		1,5 kg	2,2 kg
Kelas keamanan		□/II	

- Karena kesinambungan program penelitian dan pengembangan kami, spesifikasi yang disebutkan di sini dapat berubah tanpa pemberitahuan.
- Spesifikasi dapat berbeda dari satu negara ke negara lainnya.
- Berat menurut Prosedur EPTA 01/2003

**Simbol**

Berikut ini adalah simbol-simbol yang digunakan pada peralatan ini. Pastikan Anda mengerti makna masing-masing simbol sebelum menggunakan alat.



..... Baca petunjuk penggunaan.



..... ISOLASI GANDA

END201-5

**Simpanlah semua peringatan dan petunjuk untuk acuan di masa depan.**

Istilah "mesin listrik" dalam semua peringatan mengacu pada mesin listrik yang dijalankan dengan sumber listrik jala-jala (berkabel) atau baterai (tanpa kabel).

**Keselamatan tempat kerja**

1. **Jaga tempat kerja selalu bersih dan berpenerangan cukup.** Tempat kerja yang berantakan dan gelap mengundang kecelakaan.
2. **Jangan gunakan mesin listrik dalam lingkungan yang mudah meledak, misalnya jika ada cairan, gas, atau debu yang mudah menyala.** Mesin listrik menimbulkan bunga api yang dapat menyalakan debu atau uap tersebut.
3. **Jauhkan anak-anak dan orang lain saat menggunakan mesin listrik.** Bila perhatian terpecah, anda dapat kehilangan kendali.

**Keamanan kelistrikan**

4. **Steker mesin listrik harus cocok dengan stopkontak. Jangan sekali-kali mengubah steker dengan cara apa pun. Jangan menggunakan steker adaptor dengan mesin listrik berarde (dibumikan).** Steker yang tidak diubah dan stopkontak yang cocok akan mengurangi risiko sengatan listrik.
5. **Hindari sentuhan tubuh dengan permukaan berarde atau yang dibumikan seperti pipa, radiator, kompor, dan kulkas.** Risiko sengatan listrik bertambah jika tubuh Anda terbumikan atau terarde.
6. **Jangan membiarkan mesin listrik kehujanan atau kebasahan.** Air yang masuk ke dalam mesin listrik akan meningkatkan risiko sengatan listrik.

ENE032-1

**Penggunaan**

Mesin ini digunakan untuk membor kayu, logam dan plastik.

ENF002-1

**Pasokan daya**

Mesin harus terhubung dengan pasokan daya listrik yang bervoltase sama dengan yang tertera pada pelat nama, dan hanya dapat dijalankan dengan listrik AC fase tunggal. Mesin diisolasi ganda sesuai Standard Eropa dan oleh sebab itu dapat dihubungkan dengan soket tanpa arde.

GEA005-3

**Peringatan Keselamatan Umum Mesin Listrik**

**⚠ PERINGATAN! Bacalah semua peringatan keselamatan dan semua petunjuk.** Kelalaian mematuhi peringatan dan petunjuk dapat menyebabkan sengatan listrik, kebakaran dan/atau cedera serius.

7. **Jangan menyalahgunakan kabel. Jangan sekali-kali menggunakan kabel untuk membawa, menarik, atau mencabut mesin listrik dari stopkontak. Jauhkan kabel dari panas, minyak, tepian tajam, atau bagian yang bergerak. Kabel yang rusak atau kusut memperbesar risiko sengatan listrik.**
8. **Bila menggunakan mesin listrik di luar ruangan, gunakan kabel ekstensi yang sesuai untuk penggunaan di luar ruangan. Penggunaan kabel yang sesuai untuk penggunaan luar ruangan mengurangi risiko sengatan listrik.**
9. **Jika mengoperasikan mesin listrik di lokasi lembap tidak terhindarkan, gunakan pasokan daya yang dilindungi peranti imbasan arus (residual current device - RCD). Penggunaan RCD mengurangi risiko sengatan listrik.**
10. **Penggunaan pasokan daya melalui RCD dengan kapasitas arus sisa 30 mA atau kurang selalu dianjurkan.**

#### **Keselamatan diri**

11. **Jaga kewaspadaan, perhatikan pekerjaan Anda dan gunakan akal sehat bila menggunakan mesin listrik. Jangan menggunakan mesin listrik saat Anda lelah atau di bawah pengaruh obat bius, alkohol, atau obat. Sekejap saja lalai saat menggunakan mesin listrik dapat menyebabkan cedera diri yang serius.**
12. **Gunakan alat pelindung diri. Selalu gunakan pelindung mata. Peralatan pelindung seperti masker debu, sepatu pengaman anti-selip, helm pengaman, atau pelindung telinga yang digunakan untuk kondisi yang sesuai akan mengurangi risiko cedera diri.**
13. **Cegah penyalaan yang tidak disengaja. Pastikan bahwa sakelar berada dalam posisi mati (off) sebelum menghubungkan mesin ke sumber daya dan/atau baterai, atau mengangkat atau membawanya. Membawa mesin listrik dengan jari Anda pada sakelarnya atau mengalirkan listrik pada mesin listrik yang sakelarnya hidup (on) akan mengundang kecelakaan.**
14. **Lepaskan kunci-kunci penyetel sebelum menghidupkan mesin listrik. Kunci-kunci yang masih terpasang pada bagian mesin listrik yang berputar dapat menyebabkan cedera.**
15. **Jangan meraih terlalu jauh. Jagalah pijakan dan keseimbangan sepanjang waktu. Hal ini memungkinkan kendali yang lebih baik atas mesin listrik dalam situasi yang tidak diharapkan.**
16. **Kenakan pakaian dengan baik. Jangan memakai pakaian yang kedodoran atau perhiasan. Jaga jarak antara rambut, pakaian, dan sarung tangan Anda dengan bagian mesin yang bergerak. Pakaian kedodoran, perhiasan, atau rambut panjang dapat tersangkut pada bagian yang bergerak.**
17. **Jika tersedia fasilitas untuk menghisap dan mengumpulkan debu, pastikan fasilitas tersebut terhubung listrik dan digunakan dengan baik. Penggunaan pembersih debu dapat mengurangi bahaya yang terkait dengan debu.**

#### **Penggunaan dan pemeliharaan mesin listrik**

18. **Jangan memaksa mesin listrik. Gunakan mesin listrik yang tepat untuk keperluan Anda. Mesin listrik yang tepat akan menuntaskan pekerjaan dengan lebih baik dan aman pada kecepatan sesuai rancangannya.**
19. **Jangan gunakan mesin listrik jika sakelar tidak dapat menyalakan dan mematikannya. Mesin listrik yang tidak dapat dikendalikan dengan sakelarnya adalah berbahaya dan harus diperbaiki.**
20. **Cabut steker dari sumber listrik dan/atau baterai dari mesin listrik sebelum melakukan penyetelan, pergantian aksesoris, atau menyimpan mesin listrik. Langkah keselamatan preventif tersebut mengurangi risiko hidupnya mesin secara tak sengaja.**
21. **Simpan mesin listrik jauh dari jangkauan anak-anak dan jangan biarkan orang yang tidak paham mengenai mesin listrik tersebut atau petunjuk ini menggunakan mesin listrik. Mesin listrik sangat berbahaya di tangan pengguna yang tak terlatih.**
22. **Rawatlah mesin listrik. Periksa apakah ada bagian bergerak yang tidak lurus atau macet, bagian yang pecah dan kondisi lain yang dapat mempengaruhi penggunaan mesin listrik. Jika rusak, perbaiki dahulu mesin listrik sebelum digunakan. Banyak kecelakaan disebabkan oleh kurangnya pemeliharaan mesin listrik.**
23. **Jaga agar mesin pemotong tetap tajam dan bersih. Mesin pemotong yang terawat baik dengan mata pemotong yang tajam tidak mudah macet dan lebih mudah dikendalikan.**
24. **Gunakan mesin listrik, aksesoris, dan mata mesin, dll. sesuai dengan petunjuk ini, dengan memperhitungkan kondisi kerja dan jenis pekerjaan yang dilakukan. Penggunaan mesin listrik untuk penggunaan yang lain dari peruntukan dapat menimbulkan situasi berbahaya.**

#### **Servis**

25. **Berikan mesin listrik untuk diperbaiki hanya kepada oleh teknisi yang berkualifikasi dengan menggunakan hanya suku cadang pengganti yang serupa. Hal ini akan menjamin terjaganya keamanan mesin listrik.**
26. **Patuhi petunjuk pelumasan dan penggantian aksesoris.**
27. **Jagalah agar gagang kering, bersih, dan bebas dari minyak dan gemuk.**

GEB001-6

## **PERINGATAN KESELAMATAN BOR**

1. **Gunakan gagang tambahan, jika disertakan bersama mesin ini. Kehilangan kendali dapat menyebabkan cedera.**
2. **Pegang mesin listrik pada permukaan genggam yang terisolasi saat melakukan pekerjaan bila mesin pemotong mungkin bersentuhan dengan kawat tersembunyi atau kabelnya sendiri. Aksesoris pemotong yang menyentuh kawat "hidup" dapat menyebabkan bagian logam pada mesin teraliri arus listrik dan menyengat pengguna.**

3. **Selalu pastikan Anda berdiri di atas alas yang kuat.**  
Pastikan tidak ada orang di bawahnya bila Anda menggunakan mesin di tempat tinggi.
4. **Pegang mesin kuat-kuat.**
5. **Jauhkan tangan dari bagian yang berputar.**
6. **Jangan tinggalkan mesin dalam keadaan hidup.**  
Jalankan mesin hanya ketika digenggam tangan.
7. **Jangan menyentuh mata bor atau benda kerja segera setelah pengoperasian; suhunya mungkin masih sangat panas dan dapat membakar kulit Anda.**
8. **Bahan tertentu mengandung zat kimia yang mungkin beracun. Hindari menghirup debu dan persentuhan dengan kulit. Ikuti data keselamatan bahan dari pemasok.**

## SIMPAN PETUNJUK INI.

### ⚠ PERINGATAN:

**JANGAN** biarkan kenyamanan atau terbiasanya Anda dengan produk (karena penggunaan berulang) menggantikan kepatuhan yang ketat terhadap aturan keselamatan untuk produk yang terkait. **PENYALAHGUNAAN** atau kelalaian mematuhi kaidah keselamatan yang tertera dalam petunjuk ini dapat menyebabkan cedera badan serius.

## DESKRIPSI FUNGSI

### ⚠ PERHATIAN:

- Selalu pastikan bahwa mesin dalam keadaan mati dan steker tercabut sebelum menyetel atau memeriksa kerja mesin.

### Kerja saklar (Gb. 1)

#### ⚠ PERHATIAN:

- Sebelum memasukkan steker, selalu periksa apakah picu saklar berfungsi dengan baik dan kembali ke posisi "OFF" saat dilepas.

Untuk menjalankan mesin, cukup tarik picu saklarnya. Kecepatan mesin akan meningkat dengan menambah tekanan pada picu saklar. Lepaskan picu saklar untuk berhenti.

Untuk penggunaan terus menerus, tarik picu saklar lalu tekan tombol kunci.



Untuk membebaskan posisi terkunci, tarik picu saklar sampai penuh, lalu lepaskan.

Sekrup kontrol kecepatan tersedia agar kecepatan maksimum mesin bisa dibatasi (variabel).

Putar sekrup kontrol kecepatan searah jarum jam untuk kecepatan yang lebih tinggi, dan berlawanan arah jarum jam untuk kecepatan yang lebih rendah.

### Kerja saklar pembalik arah

#### Hanya untuk Model DP4700 (Gb. 2)

Mesin ini memiliki saklar pembalik arah untuk mengubah arah putar. Gerakkan tuas saklar pembalik arah ke posisi  untuk putaran searah jarum jam (arah maju) atau posisi  untuk putaran berlawanan arah jarum jam (berbalik arah).

#### Untuk Model 6402 (Gb. 3)

Mesin ini memiliki saklar pembalik arah untuk mengubah arah putar. Pindahkan tuas saklar pembalik arah ke posisi "FWD" untuk putaran searah jarum jam (arah maju) atau posisi "REV" untuk putaran berlawanan arah jarum jam (berbalik arah).

#### ⚠ PERHATIAN:

- Selalu periksa arah putar sebelum penggunaan.
- Gunakan saklar pembalik arah hanya setelah mesin benar-benar berhenti. Mengubah arah putaran sebelum mesin berhenti akan merusak mesin.

## PERAKITAN

### ⚠ PERHATIAN:

- Selalu pastikan bahwa mesin dalam keadaan mati dan steker tercabut sebelum melakukan pekerjaan apapun pada mesin.

### Memasang gagang sisi (pegangan tambahan)

#### Untuk Model DP4700 (Gb. 4)

#### ⚠ PERHATIAN:

- Selalu pastikan bahwa gagang sisi terpasang dengan kuat sebelum penggunaan.

Pasang gagang sisi pada mesin dengan menggunakan sekrup.

### Memasang atau melepas mata bor

#### Untuk mesin dengan cekam berkunci standar (Gb. 5)

Untuk memasang mata bor, masukkan mata bor ke dalam cekam sedalam mungkin. Kencangkan cekam dengan tangan. Masukkan kunci cuk ke dalam tiga lubang yang ada dan kencangkan searah jarum jam. Pastikan ketiga lubang cekam dikencangkan secara seragam.

Untuk melepas mata bor, putar kunci cekam berlawanan arah jarum jam pada satu lubang saja, lalu bebaskan mata bor dengan tangan.

Setelah menggunakan kunci cekam, pastikan untuk mengembalikannya ke posisi semula.

#### Untuk mesin dengan cekam tanpa kunci (Gb. 6)

Tahan cincin dan putar selongsong berlawanan arah jarum jam untuk membuka rahang cekam. Masukkan mata bor ke dalam cekam sejauh mungkin. Pegang cincin dengan kuat dan putar selongsong searah jarum jam untuk mengencangkan cekam.

Untuk melepas mata bor, pegang cincin dan putar selongsong berlawanan arah jarum jam.

## PENGUNAAN

### Memegang mesin

#### Untuk Model DP4700

Pegang mesin kuat-kuat dengan satu tangan pada bagian genggam mesin sementara tangan yang lain pada gagang sisi ketika menjalankan mesin.

## Pekerjaan pengeboran

### Mengebor kayu

Bila mengebor kayu, hasil terbaik didapat dengan mata bor kayu yang dilengkapi sekrup pemandu. Sekrup pemandu mempermudah pengeboran dengan menarik mata bor ke dalam benda kerja.

### Mengebor logam

Untuk mencegah mata bor selip ketika mulai membuat lubang, buatlah takik dengan penitik lalu palu pada titik yang akan dilubangi. Letakkan ujung mata bor pada takik dan mulailah membor.

Gunakan cairan pendingin saat mengebor logam.

Pengecualian untuk besi dan kuningan yang harus dibor kering.

#### PERHATIAN:

- Menekan mesin secara berlebihan tidak akan mempercepat pengeboran. Bahkan, tekanan yang berlebihan hanya akan merusak mata bor Anda, mengurangi kinerja mesin dan memperpendek usia mesin.
- Akan timbul gaya puntir yang sangat kuat pada mesin/ mata bor saat menembus lubang. Pegang mesin dengan kuat dan berhati-hatilah saat mata bor menembus benda kerja.
- Mata bor yang macet dapat dicabut dengan menyatel saklar pembalik arah agar mesin berputar berlawanan arah untuk mundur. Tetapi, mesin bisa saja mundur mendadak jika Anda tidak memegangnya dengan kuat.
- Tahan benda kerja berukuran kecil dengan penjepit atau alat penahan lain.
- Hindari mengebor material yang Anda perkirakan ada paku tersembunyi atau benda lain yang bisa menyebabkan bengkok atau rusaknya mata bor.

## PERAWATAN

#### PERHATIAN:

- Selalu pastikan bahwa mesin dimatikan dan steker dicabut sebelum melakukan pemeriksaan atau perawatan.
- Jangan sekali-kali menggunakan bensin, tiner, alkohol, atau bahan sejenisnya. Penggunaan bahan demikian dapat menyebabkan perubahan warna, perubahan bentuk atau timbulnya retakan.

Untuk menjaga KEAMANAN dan KEANDALAN mesin, perbaikan, pemeriksaan dan penggantian sikat karbon, serta perawatan atau penyetelan lain harus dilakukan oleh Pusat Layanan Resmi Makita, selalu gunakan suku cadang pengganti buatan Makita.

## PILIHAN AKSESORI

#### PERHATIAN:

- Dianjurkan untuk menggunakan aksesori atau perangkat tambahan ini dengan mesin Makita Anda yang ditentukan dalam petunjuk ini. Penggunaan aksesori atau perangkat tambahan lain bisa menyebabkan risiko cedera pada manusia. Hanya gunakan aksesori atau perangkat tambahan sesuai dengan peruntukannya.

Jika Anda memerlukan bantuan lebih rinci berkenaan dengan aksesori ini, tanyakan pada Pusat Layanan Makita terdekat.

- Mata bor
- Cekam bor tanpa kunci
- Kunci cekam
- Gagang 36

#### CATATAN:


- Beberapa item dalam daftar tersebut mungkin sudah termasuk dalam paket mesin sebagai aksesori standar. Hal tersebut dapat berbeda dari satu negara ke negara lainnya.

# TIẾNG VIỆT

## Giải thích về hình vẽ tổng thể

1. Thấp
2. Cao
3. Vít điều khiển tốc độ
4. Cần khởi động công tắc
5. Núm khóa
6. Cần công tắc đảo chiều
7. Tay cầm hồng
8. Vặn chặt
9. Khóa ngàm
10. Trụ ngoài
11. Vòng

## THÔNG SỐ KỸ THUẬT

Kiểu		6402	DP4700
Công suất	Thép	10 mm	13 mm
	Gỗ	21 mm	36 mm
Tốc độ không tải (phút <sup>-1</sup> )		0 - 1.200	0 - 550
Chiều dài tổng thể		264 mm	275 mm
Khối lượng tịnh		1,5 kg	2,2 kg
Cấp độ an toàn			

- Do chương trình nghiên cứu và phát triển liên tục của chúng tôi nên các thông số kỹ thuật trong đây có thể thay đổi mà không cần thông báo trước.
- Các thông số kỹ thuật có thể thay đổi tùy theo từng quốc gia.
- Khối lượng tùy theo Quy trình EPTA tháng 01/2003

END201-5

### Ký hiệu

Phần dưới đây cho biết các ký hiệu được dùng cho thiết bị. Đảm bảo rằng bạn hiểu rõ ý nghĩa của các ký hiệu này trước khi sử dụng.



..... Đọc tài liệu hướng dẫn.



..... CÁCH ĐIỆN CẤP 2

ENE032-1

### Mục đích sử dụng

Dụng cụ này dùng để khoan gỗ, kim loại và nhựa.

ENF002-1

### Nguồn cấp điện

Dụng cụ này chỉ được nối với nguồn cấp điện có điện áp giống như đã chỉ ra trên biển tên và chỉ có thể được vận hành trên nguồn điện AC mt pha. Chúng được cách điện hai lớp theo Tiêu chuẩn Châu Âu và do đó cũng có thể được sử dụng từ các ổ cắm điện không có dây tiếp đất.

GEA005-3

## Cảnh báo An toàn Chung dành cho Dụng cụ Máy

**⚠ CẢNH BÁO!** Đọc tất cả các cảnh báo an toàn và hướng dẫn. Việc không tuân theo các cảnh báo và hướng dẫn có thể dẫn đến điện giật, hỏa hoạn và/hoặc thương tích nghiêm trọng.

## Lưu giữ tất cả cảnh báo và hướng dẫn để tham khảo sau này.

Thuật ngữ “dụng cụ máy” trong các cảnh báo đề cập đến dụng cụ máy (có dây) được vận hành bằng nguồn điện

chính hoặc dụng cụ máy (không dây) được vận hành bằng pin của bạn.

### An toàn tại nơi làm việc

1. **Giữ nơi làm việc sạch sẽ và có đủ ánh sáng.** Nơi làm việc bừa bộn hoặc tối thường dễ gây ra tai nạn.
2. **Không vận hành dụng cụ máy trong môi trường cháy nổ, ví dụ như môi trường có sự hiện diện của các chất lỏng, khí hoặc bụi dễ cháy.** Các dụng cụ máy tạo tia lửa điện có thể làm bụi hoặc khí bốc cháy.
3. **Giữ trẻ em và người ngoài tránh xa nơi làm việc khi đang vận hành dụng cụ máy.** Sự xao lãng có thể khiến bạn mất khả năng kiểm soát.

### An toàn về điện

4. **Phích cắm của dụng cụ máy phải khớp với ổ cắm. Không bao giờ được sửa đổi phích cắm theo bất kỳ cách nào. Không sử dụng bất kỳ phích chuyển đổi nào với các dụng cụ máy được nối đất (tiếp đất).** Các phích cắm còn nguyên vẹn và ổ cắm phù hợp sẽ giảm nguy cơ điện giật.
5. **Tránh để cơ thể tiếp xúc với các bề mặt nóng đất hoặc tiếp đất như đường ống, bộ tản nhiệt, bếp ga và tủ lạnh.** Nguy cơ bị điện giật sẽ tăng lên nếu cơ thể bạn được nối đất hoặc tiếp đất.
6. **Không để dụng cụ máy tiếp xúc với mưa hoặc trong điều kiện ẩm ướt.** Nước lọt vào dụng cụ máy sẽ làm tăng nguy cơ điện giật.
7. **Không lạm dụng dây.** Không bao giờ sử dụng dây để mang, kéo hoặc tháo phích cắm dụng cụ máy. Giữ dây tránh xa nguồn nhiệt, dầu, các mép sắc hoặc các bộ phận chuyển động. Dây bị hỏng hoặc bị rối sẽ làm tăng nguy cơ điện giật.
8. **Khí vận hành dụng cụ máy ngoài trời, hãy sử dụng dây kéo dài phù hợp cho việc sử dụng ngoài trời.** Việc dùng dây phù hợp cho việc sử dụng ngoài trời sẽ giảm nguy cơ điện giật.

- Nếu bắt buộc phải vận hành dụng cụ máy ở nơi ẩm ướt, hãy sử dụng nguồn cấp điện được bảo vệ bằng thiết bị ngắt dòng điện rò (RCD).** Việc sử dụng RCD sẽ giảm nguy cơ điện giật.
- Chúng tôi luôn khuyến bạn sử dụng nguồn cấp điện qua thiết bị RCD có thể ngắt dòng điện dư định mức 30 mA hoặc thấp hơn.**

#### **An toàn cá nhân**

- Luôn tỉnh táo, quan sát những việc bạn đang làm và sử dụng những phản đoán theo kinh nghiệm khi vận hành dụng cụ máy. Không sử dụng dụng cụ máy khi bạn đang mệt mỏi hoặc chịu ảnh hưởng của ma túy, rượu hay thuốc.** Chỉ một khoảnh khắc không tập trung khi đang vận hành dụng cụ máy cũng có thể dẫn đến thương tích cá nhân nghiêm trọng.
- Sử dụng thiết bị bảo hộ cá nhân. Luôn đeo thiết bị bảo vệ mắt.** Các thiết bị bảo hộ như mặt nạ chống bụi, giày an toàn chống trượt, mũ bảo hộ hay thiết bị bảo vệ thính giác được sử dụng trong các điều kiện thích hợp sẽ giúp giảm thương tích cá nhân.
- Tránh vô tình khởi động dụng cụ máy. Đảm bảo công tắc ở vị trí off (tắt) trước khi nối nguồn điện và/hoặc bộ pin, cầm hoặc mang dụng cụ máy.** Việc mang dụng cụ máy khi đang đặt ngón tay ở vị trí công tắc hoặc cấp điện cho dụng cụ máy đang bật thường dễ gây ra tai nạn.
- Tháo mọi khoá hoặc chia vận điều chỉnh trước khi bật dụng cụ máy.** Việc chia vận hoặc khoá vẫn còn gắn vào bộ phận quay của dụng cụ máy có thể dẫn đến thương tích cá nhân.
- Không với quá cao. Luôn giữ thăng bằng tốt và có chỗ để chân phù hợp.** Điều này cho phép điều khiển dụng cụ máy tốt hơn trong những tình huống bất ngờ.
- Ăn mặc phù hợp. Không mặc quần áo rộng hay đeo đồ trang sức. Giữ tóc, quần áo và găng tay tránh xa các bộ phận chuyển động.** Quần áo rộng, đồ trang sức hay tóc dài có thể mắc vào các bộ phận chuyển động.
- Nếu các thiết bị được cung cấp để kết nối các thiết bị thu gom và hút bụi, hãy đảm bảo chúng được kết nối và sử dụng hợp lý.** Việc sử dụng thiết bị thu gom bụi có thể làm giảm những mối nguy hiểm liên quan đến bụi.

#### **Sử dụng và bảo quản dụng cụ máy**

- Không dùng lực đối với dụng cụ máy. Sử dụng đúng dụng cụ máy cho công việc của bạn.** Sử dụng đúng dụng cụ máy sẽ giúp thực hiện công việc tốt hơn và an toàn hơn theo giá trị định mức được thiết kế của dụng cụ máy đó.
- Không sử dụng dụng cụ máy nếu công tắc không bật và tắt được dụng cụ máy đó.** Mọi dụng cụ máy không thể điều khiển được bằng công tắc đều rất nguy hiểm và cần được sửa chữa.
- Rút phích cắm ra khỏi nguồn điện và/hoặc ngắt kết nối bộ pin khỏi dụng cụ máy trước khi thực hiện bất kỳ công việc điều chỉnh, thay đổi phụ tùng hay cất giữ dụng cụ máy nào.** Những biện pháp an toàn phòng ngừa này sẽ giảm nguy cơ vô tình khởi động vô tình dụng cụ máy.
- Cất giữ các dụng cụ máy không sử dụng ngoài tầm với của trẻ em và không cho bất kỳ người nào không có hiểu biết về dụng cụ máy hoặc các**

**hướng dẫn này vận hành dụng cụ máy.** Dụng cụ máy sẽ rất nguy hiểm nếu được sử dụng bởi những người dùng chưa qua đào tạo.

- Bảo quản dụng cụ máy. Kiểm tra tình trạng lệch trục hoặc bó kẹt của các bộ phận chuyển động, hiện tượng nứt vỡ của các bộ phận và mọi tình trạng khác mà có thể ảnh hưởng đến hoạt động của dụng cụ máy. Nếu có hỏng hóc, hãy sửa chữa dụng cụ máy trước khi sử dụng.** Nhiều tai nạn xảy ra là do không bảo quản tốt dụng cụ máy.
- Luôn giữ cho dụng cụ cất được sắc bén và sạch sẽ.** Những dụng cụ cất được bảo quản tốt có mép cắt sắc sẽ ít bị kẹt hơn và dễ điều khiển hơn.
- Sử dụng dụng cụ máy, phụ tùng và đầu dụng cụ cắt, v.v... theo các hướng dẫn này, có tính đến điều kiện làm việc và công việc được thực hiện.** Việc sử dụng dụng cụ máy cho các công việc khác với công việc dự định có thể gây nguy hiểm.

#### **Bảo dưỡng**

- Để nhân viên sửa chữa đủ trình độ bảo dưỡng dụng cụ máy của bạn và chỉ sử dụng các bộ phận thay thế đồng nhất.** Việc này sẽ đảm bảo duy trì được độ an toàn của dụng cụ máy.
- Tuân theo hướng dẫn dành cho việc bôi trơn và thay phụ tùng.**
- Giữ tay cầm khô, sạch, không dính dầu và mỡ.**

GEB001-6

## **CẢNH BÁO AN TOÀN DÀNH CHO MÁY KHOAN**

- Sử dụng (các) tay cầm phụ, nếu được cung cấp cùng với dụng cụ.** Việc mất khả năng kiểm soát có thể dẫn đến thương tích cá nhân.
- Cầm dụng cụ máy bằng bề mặt kẹp cách điện khi thực hiện một thao tác trong đó bộ phận cắt có thể tiếp xúc với dây dẫn kin hoặc dây của chính nó.** Bộ phận cắt tiếp xúc với dây dẫn "có điện" có thể khiến các bộ phận kim loại bị hở của dụng cụ máy "có điện" và làm cho người vận hành bị điện giật.
- Luôn đảm bảo không có chỗ đặt chân vững chắc. Đảm bảo rằng không có ai ở bên dưới khi sử dụng dụng cụ ở trên cao.**
- Cầm chắc dụng cụ.**
- Giữ tay tránh xa các bộ phận quay.**
- Không để mặc dụng cụ hoạt động. Chỉ vận hành dụng cụ khi cầm trên tay.**
- Không chạm vào mũi khoan hay vật gia công ngay sau khi vận hành; chúng có thể rất nóng và gây bỏng da.**
- Một số vật liệu có thể chứa hoá chất độc. Hãy cẩn thận để tránh hít phải bụi và tiếp xúc với da. Tuân theo dữ liệu an toàn của nhà cung cấp vật liệu.**

## **LƯU GIỮ CÁC HƯỚNG DẪN NÀY.**

### **⚠ CẢNH BÁO:**

**KHÔNG** được để sự thoải mái hay quen thuộc với sản phẩm (có được do sử dụng nhiều lần) thay thế việc tuân thủ nghiêm ngặt các quy định về an toàn dành cho sản phẩm này. **VIỆC DÙNG SAI** hoặc không tuân theo các quy định về an toàn được nêu trong tài liệu hướng dẫn này có thể dẫn đến thương tích cá nhân nghiêm trọng.



# MÔ TẢ CHỨC NĂNG

## ⚠ CẢN TRỌNG:

- Phải luôn đảm bảo rằng dụng cụ đã được tắt điện và ngắt kết nối trước khi chỉnh sửa hoặc kiểm tra chức năng của dụng cụ.

## Hoạt động công tắc (Hình 1)

### ⚠ CẢN TRỌNG:

- Trước khi cắm điện vào dụng cụ, luôn luôn kiểm tra xem cần khởi động công tắc có hoạt động bình thường hay không và trả về vị trí "OFF" (TẮT) khi nhả ra.

Để khởi động dụng cụ, chỉ cần kéo cần khởi động công tắc. Tốc độ dụng cụ được giảm xuống bằng cách tăng lực ép lên cần khởi động công tắc. Nhả cần khởi động công tắc ra để dừng.

Để tiếp tục vận hành, hãy kéo cần khởi động công tắc và sau đó nhấn vào nút khóa.



Để dừng dụng cụ từ vị trí đã khóa, hãy kéo cần khởi động công tắc hết mức, sau đó nhả ra.

Máy có một vít điều khiển tốc độ sao cho tốc độ dụng cụ lớn nhất có thể được giới hạn (biến đổi).

Xoay vít điều khiển tốc độ theo chiều kim đồng hồ để có tốc độ cao hơn và ngược chiều kim đồng hồ để có tốc độ thấp hơn.

## Thao tác công tắc đảo chiều

### Đối với riêng Kiểu DP4700 (Hình 2)

Dụng cụ này có một công tắc đảo chiều để thay đổi chiều xoay. Gạt cần công tắc đảo chiều sang vị trí  để xoay theo chiều kim đồng hồ (tới trước) hoặc sang mặt vị trí  để xoay ngược chiều kim đồng hồ (ngược lại).

### Đối với Kiểu 6402 (Hình 3)

Dụng cụ này có một công tắc đảo chiều để thay đổi chiều xoay. Gạt cần công tắc đảo chiều sang vị trí "FWD" để xoay theo chiều kim đồng hồ (tới trước) hoặc sang vị trí "REV" để xoay ngược chiều kim đồng hồ (ngược lại).

## ⚠ CẢN TRỌNG:

- Luôn luôn kiểm tra chiều xoay trước khi vận hành.
- Chỉ sử dụng công tắc đảo chiều sau khi dụng cụ đã dừng hoàn toàn. Việc thay đổi chiều xoay trước khi máy dừng sẽ làm hỏng máy.

# LẮP RÁP

## ⚠ CẢN TRỌNG:

- Luôn luôn đảm bảo rằng dụng cụ đã được tắt và tháo phích cắm trước khi dùng dụng cụ thực hiện bất cứ công việc nào.

## Lắp đặt tay cầm hông (tay cầm phụ)

### Đối với Kiểu DP4700 (Hình 4)

## ⚠ CẢN TRỌNG:

- Luôn đảm bảo rằng tay cầm hông được gắn chặt trước khi vận hành.

Vận tay cầm hông trên dụng cụ thật chặt.

# Lắp hoặc tháo gỡ mũi khoan

## Đối với dụng cụ có ngàm dùng khóa dạng tiêu chuẩn (Hình 5)

Để lắp đặt đầu mũi, đặt nó vào trong ngàm kẹp hết mức có thể. Vận phần ngàm kẹp lại bằng tay. Đặt khóa ngàm vào một trong ba lỗ nhỏ rồi vận chặt theo chiều kim đồng hồ. Đảm bảo vận chặt cả ba lỗ khóa ngàm đều nhau.

Để tháo mũi khoan, hãy xoay khóa ngàm ngược chiều kim đồng hồ chỉ ở một lỗ, sau đó vận lỏng bộ phận ngàm bằng tay.

Sau khi sử dụng dụng cụ, cần đảm bảo trả nó lại vị trí ban đầu.

## Đối với dụng cụ có ngàm dạng không cần khóa (Hình 6)

Giữ vòng và xoay trụ ngoài ngược chiều kim đồng hồ để mở các mấu ngàm kẹp. Đặt đầu mũi vào trong ngàm kẹp hết mức có thể. Giữ chặt vòng và xoay trụ ngoài theo chiều kim đồng hồ để vận chặt ngàm.

Để tháo mũi khoan, giữ vòng và xoay trụ ngoài ngược chiều kim đồng hồ.

# VẬN HÀNH

## Cầm giữ dụng cụ

### Đối với Kiểu DP4700

Giữ dụng cụ thật chắc bằng một tay trên phần dùng để cầm của dụng cụ và tay kia trên tay cầm hông khi vận hành dụng cụ.

## Thao tác khoan

### Khoan vào gỗ

Khi khoan vào gỗ, để có kết quả tốt nhất cần sử dụng các mũi khoan dùng để khoan gỗ và vít dẫn. Vít dẫn giúp khoan dễ dàng hơn bằng cách kéo đầu mũi vào trong vật gia công.

### Khoan vào kim loại

Để phòng ngừa đầu mũi bị trượt ra lúc bắt đầu khoan lỗ, hãy tạo một vết lõm bằng cách dùng dùi đục tâm và đóng vào điểm cần khoan. Đặt đầu mũi khoan vào chỗ lõm này và bắt đầu khoan.

Sử dụng dầu nhờn để cắt khi khoan kim loại. Trừ các trường hợp dùng sắt và đồng thau cần phải được khoan khô.

## ⚠ CẢN TRỌNG:

- Nhấn dụng cụ quá mức sẽ không tăng tốc độ khoan lên được. Trên thực tế, việc nhấn mạnh thêm này sẽ chỉ làm gây hỏng đầu mũi của bạn, giảm hiệu năng và tuổi thọ hoạt động của dụng cụ.
- Sẽ có lực xoay rất lớn trên dụng cụ/mũi khoan lúc lỗ khoan được xuyên thủng. Giữ chặt dụng cụ và chuẩn bị ghìm lực quán tính lại khi mũi khoan xuyên thủng vật gia công.
- Mũi khoan bị kẹt có thể được tháo ra đơn giản bằng cách đặt công tắc đảo chiều sang chế độ xoay ngược lại để rút mũi khoan ra. Tuy nhiên, dụng cụ có thể quay ngược ra bất ngờ nếu bạn không giữ chặt.
- Luôn luôn giữ chặt các vật gia công có kích thước nhỏ bằng kim hoặc dụng cụ kẹp tương tự.
- Tránh khoan vào vật liệu mà bạn nghi ngờ có chứa đinh ngàm hoặc những thứ khác có thể làm kẹt hoặc gây đầu mũi.

# BẢO TRÌ

## CẢN TRỌNG:

- Hãy luôn chắc chắn rằng dụng cụ đã được tắt và ngắt kết nối trước khi cố gắng thực hiện việc kiểm tra hay bảo dưỡng.
- Không bao giờ dùng xăng, ết xăng, dung môi, cồn hoặc hóa chất tương tự. Có thể xảy ra hiện tượng mất màu, biến dạng hoặc nứt vỡ.

Để đảm bảo AN TOÀN và TIN CẬY của sản phẩm, việc sửa chữa hoặc bất cứ thao tác bảo trì, điều chỉnh nào đều phải được thực hiện bởi các Trung tâm Dịch vụ Được Ủy quyền của Makita (Makita Authorized Service Center), luôn sử dụng các phụ tùng thiết bị thay thế của Makita.

# PHỤ KIỆN TỰY CHỌN

## CẢN TRỌNG:

- Các phụ kiện hoặc phụ tùng gắn thêm này được khuyến cáo sử dụng với dụng cụ Makita của bạn theo như quy định trong hướng dẫn này. Việc sử dụng bất cứ phụ kiện hoặc phụ tùng gắn thêm nào khác đều có thể gây ra rủi ro thương tích cho người. Chỉ sử dụng phụ kiện hoặc phụ tùng gắn thêm cho mục đích đã quy định sẵn của chúng.

Nếu bạn cần hỗ trợ để biết thêm chi tiết về những phụ kiện này, hãy liên hệ với Trung tâm Dịch vụ của Makita tại địa phương của bạn.

- Các mũi khoan
- Ngàm khoan không cần khóa
- Khóa ngàm
- Tay cầm 36

## LƯU Ý:

- Một vài mục trong danh sách có thể được bao gồm trong gói dụng cụ làm phụ kiện tiêu chuẩn. Các thông số kỹ thuật có thể thay đổi tùy theo từng quốc gia.

## คำอธิบายของมุมมองทั่วไป

- |                       |                            |                   |
|-----------------------|----------------------------|-------------------|
| 1. ต่ำ                | 5. ปุ่มลึกลับ              | 9. ประแจขันหัวจับ |
| 2. สูง                | 6. ก้านสวิตช์เปลี่ยนทิศทาง | 10. ปลอก          |
| 3. สกรูควบคุมความเร็ว | 7. ด้ามจับด้านข้าง         | 11. แหวน          |
| 4. สวิตช์สั่งงาน      | 8. ขัน                     |                   |

## ข้อมูลจำเพาะ

รุ่น	6402	DP4700
ความสามารถในการเจาะ	โลหะ	10 มม.
	ไม้	21 มม.
ความเร็วขณะหมุนเปล่า (รอบต่อนาที)	0 - 1,200	0 - 550
ความยาวโดยรวม	264 มม.	275 มม.
น้ำหนักสุทธิ	1.5 กก.	2.2 กก.
มาตรฐานความปลอดภัย	☐/II	

- เนื่องจากการค้นคว้าวิจัยและพัฒนาอย่างต่อเนื่อง ข้อมูลจำเพาะในเอกสารฉบับนี้อาจเปลี่ยนแปลงได้โดยไม่ต้องแจ้งให้ทราบล่วงหน้า
- ข้อมูลจำเพาะอาจแตกต่างกันไปในแต่ละประเทศ
- น้ำหนักตามข้อบังคับของ EPTA 01/2003

END201-5

GEA005-3

## สัญลักษณ์

ต่อไปนี้เป็นสัญลักษณ์ที่ใช้สำหรับอุปกรณ์

โปรดศึกษาความหมายของสัญลักษณ์ให้เข้าใจก่อนการใช้งาน



..... อ่านคู่มือการใช้งาน



..... ฉนวนสองชั้น

## จุดประสงค์ของเครื่องมือ

เครื่องมือนี้ใช้สำหรับเจาะไม้ โลหะ และพลาสติก

ENE032-1

ENF002-1

## การจ่ายไฟ

ต้องเชื่อมต่อเครื่องมือกับเครื่องจ่ายไฟที่มีแรงเคลื่อนไฟฟ้าตามที่ระบุไว้ในป้ายข้อมูลเครื่องมือ และจะต้องใช้ไฟฟ้ากระแสสลับแบบเฟสเดียวเท่านั้น อุปกรณ์นี้ได้รับการหุ้มฉนวนสองชั้นตามมาตรฐาน European Standard และสามารถเข้ากับปลั๊กไฟที่ไม่มีสายดินได้

## คำเตือนด้านความปลอดภัยของเครื่องมือไฟฟ้าทั่วไป

⚠ คำเตือน! อ่านคำเตือนด้านความปลอดภัยและคำแนะนำทั้งหมด การไม่ปฏิบัติตามคำเตือนและคำแนะนำดังกล่าวอาจส่งผลให้เกิดไฟฟ้าช็อต ไฟไหม้ และ/หรือได้รับบาดเจ็บอย่างร้ายแรง

## เก็บรักษาคำเตือนและคำแนะนำทั้งหมดไว้เป็นข้อมูลอ้างอิงในอนาคต

คำว่า “เครื่องมือไฟฟ้า” ในคำเตือนนี้ หมายถึง เครื่องมือไฟฟ้า (มีสาย) ที่ทำงานโดยใช้กระแสไฟฟ้า หรือเครื่องมือไฟฟ้า (ไร้สาย) ที่ทำงานโดยใช้แบตเตอรี่

## ความปลอดภัยของพื้นที่ทำงาน

1. ดูแลพื้นที่ทำงานให้มีความสะอาดและมีแสงไฟสว่าง พื้นที่รกะเกะระกะหรือมืดทึบอาจนำไปสู่การเกิดอุบัติเหตุได้
2. อย่าใช้งานเครื่องมือไฟฟ้าในสภาพที่อาจเกิดการกระเบิด เช่น ในสถานที่ที่มีของเหลว ก๊าซ หรือฝุ่นผงที่มิคุณสมบัติไวไฟ เครื่องมือไฟฟ้าจะสร้างประกายไฟเพื่อจุดชนวนฝุ่นผงหรือก๊าซดังกล่าว
3. ดูแลไม่ให้มีเด็ก ๆ หรือบุคคลอื่นอยู่ในบริเวณที่กำลังใช้เครื่องมือไฟฟ้า การมีสิ่งรบกวนสมาธิอาจทำให้คุณสูญเสียการควบคุม

## ความปลอดภัยด้านไฟฟ้า

- ปลั๊กของเครื่องมือไฟฟ้าต้องพอดีกับตัวรับ อย่าดัดแปลงปลั๊กไม่ว่ากรณีใด ๆ อย่าใช้ปลั๊กอะแดปเตอร์กับเครื่องมือไฟฟ้าที่ต่อสายดิน ปลั๊กที่ไม่ถูกดัดแปลงและตัวรับไฟที่เข้ากันพอดีจะช่วยลดความเสี่ยงของการเกิดไฟฟ้าช็อต
- ระวังอย่าให้ร่างกายสัมผัสกับพื้นผิวที่ต่อสายดิน เช่น ท่อ เครื่องนำความร้อน เตาหุงต้ม และตู้เย็น มีความเสี่ยงที่จะเกิดไฟฟ้าช็อตสูงขึ้น หากร่างกายของคุณสัมผัสกับพื้น
- อย่าให้เครื่องมือไฟฟ้าถูกน้ำหรืออยู่ในสภาพเปียกชื้น น้ำที่ไหลเข้าไปในเครื่องมือไฟฟ้าจะเพิ่มความเสี่ยงของการเกิดไฟฟ้าช็อต
- อย่าใช้สายไฟอย่างไม่เหมาะสม อย่าใช้สายไฟเพื่อยก ดึง หรือ ถอดปลั๊กเครื่องมือไฟฟ้า เก็บสายไฟให้ห่างจากความร้อน น้ำมัน ของมีคม หรือชิ้นส่วนที่เคลื่อนที่ สายที่ชำรุดหรือพันกันจะเพิ่มความเสี่ยงของการเกิดไฟฟ้าช็อต
- ขณะที่ใช้งานเครื่องมือไฟฟ้านอกอาคาร ควรใช้สายต่อพ่วงที่เหมาะสมกับงานภายนอกอาคาร การใช้สายที่เหมาะสมกับงานภายนอกอาคารจะลดความเสี่ยงของการเกิดไฟฟ้าช็อต
- หากต้องใช้งานเครื่องมือไฟฟ้าในสถานที่เปียกชื้น ให้ใช้อุปกรณ์ป้องกันกระแสไฟรั่ว (RCD) การใช้ RCD จะลดความเสี่ยงของการเกิดไฟฟ้าช็อต
- ขอแนะนำให้ใช้แหล่งจ่ายไฟผ่าน RCD ที่มีกระแสไฟรั่วในอัตราไม่เกิน 30 mA เสมอ

## ความปลอดภัยส่วนบุคคล

- ให้ระมัดระวัง และสังเกตเสมอว่าคุณกำลังทำสิ่งใดอยู่ และใช้สามัญสำนึกในขณะที่ใช้งานเครื่องมือไฟฟ้า อย่าใช้งานเครื่องมือไฟฟ้าในขณะที่คุณกำลังเหนื่อย หรือในสภาพที่มีเมาน้ำจากยาเสพติด เครื่องดื่มแอลกอฮอล์ หรือการใข้ยา ช่วงเวลาที่ขาดความระมัดระวังเมื่อกำลังใช้งานเครื่องมือไฟฟ้าอาจทำให้คุณได้รับบาดเจ็บอย่างรุนแรง
- ใช้อุปกรณ์ป้องกันส่วนบุคคล สวมแว่นตาป้องกันเสมอ อุปกรณ์ป้องกัน เช่น หน้ากากกันฝุ่น รองเท้ากันภัยกันสั่น หมวกนิรภัย หรือเครื่องป้องกันการได้ยินที่ใช้ในสภาพที่เหมาะสมจะช่วยลดการบาดเจ็บ
- ป้องกันไม่ให้เปิดใช้งานอย่างไม่ตั้งใจ ตรวจสอบว่าสวิตช์อยู่ในตำแหน่งปิดก่อนเชื่อมต่อกับแหล่งจ่ายไฟ และ/หรือ ชุดแบตเตอรี่ หรือก่อนการยกหรือถือเครื่องมือ การสอดนิ้วมือบริเวณสวิตช์เพื่อถือเครื่องมือไฟฟ้า หรือการชาร์จไฟเครื่องมือไฟฟ้าในขณะที่เปิดสวิตช์อยู่อาจนำไปสู่การเกิดอุบัติเหตุ
- นำกฎเกณฑ์ปรับแต่งหรือประแจออกก่อนที่จะเปิดเครื่องมือไฟฟ้า ประแจหรือกฎเกณฑ์เสียบค้างอยู่ในชิ้นส่วนที่หมุนได้ของเครื่องมือไฟฟ้าอาจทำให้คุณได้รับบาดเจ็บ

- อย่าทำงานในระยะที่สุดเอี่ยม จัดทำการยีนและการทรงตัวให้เหมาะสมตลอดเวลา เพราะจะทำให้ควบคุมเครื่องมือไฟฟ้าได้ดีขึ้นในสถานการณ์ที่ไม่คาดคิด
- แต่งกายให้เหมาะสม อย่าสวมเครื่องแต่งกายที่หลวมเกินไป หรือสวมเครื่องประดับ คุณไม่ควรใส่แว่นตา เสื้อผ้า และถุงมืออยู่ใกล้ชิ้นส่วนที่เคลื่อนที่ เสื้อผ้ารุ่มร่าม เครื่องประดับ หรือผมที่มีความยาวอาจเข้าไปติดในชิ้นส่วนที่เคลื่อนที่
- หากมีการจัดอุปกรณ์สำหรับคุณและจัดเก็บฝุ่นไว้ในสถานที่ ให้ตรวจสอบว่าได้เชื่อมต่อและใช้งานอุปกรณ์นั้นอย่างเหมาะสม การใช้เครื่องดูดและจัดเก็บฝุ่นจะช่วยลดอันตรายที่เกิดจากฝุ่นผงได้

## การใช้และดูแลเครื่องมือไฟฟ้า

- อย่าฝืนใช้เครื่องมือไฟฟ้า ใช้เครื่องมือไฟฟ้าที่เหมาะสมกับการใช้งานของคุณ เครื่องมือไฟฟ้าที่เหมาะสมจะทำงานที่มีประสิทธิภาพและปลอดภัยกว่าตามขีดความสามารถของเครื่องที่ได้รับการออกแบบมา
- อย่าใช้เครื่องมือไฟฟ้า หากสวิตช์ไม่สามารถเปิดปิดได้ เครื่องมือไฟฟ้าที่ควบคุมด้วยสวิตช์ไม่ได้เป็นอันตรายและต้องได้รับการซ่อมแซม
- ถอดปลั๊กจากแหล่งจ่ายไฟ และ/หรือชุดแบตเตอรี่ออกจากเครื่องมือไฟฟ้าก่อนทำการปรับแต่ง เปลี่ยนอุปกรณ์เสริม หรือจัดเก็บเครื่องมือไฟฟ้า วิธีการป้องกันด้านความปลอดภัยดังกล่าวจะช่วยลดความเสี่ยงของการเปิดใช้งานเครื่องมือไฟฟ้าอย่างไม่ตั้งใจ
- จัดเก็บเครื่องมือไฟฟ้าที่ไม่ได้ใช้งานให้ห่างจากมือเด็ก และอย่าอนุญาตให้บุคคลที่ไม่คุ้นเคยกับเครื่องมือไฟฟ้า หรือคำแนะนำเหล่านี้ใช้งานเครื่องมือไฟฟ้า เครื่องมือไฟฟ้าจะเป็นอันตรายเมื่ออยู่ในมือของผู้ที่ไม่ได้รับการฝึกอบรม
- การดูแลรักษาเครื่องมือไฟฟ้า ตรวจสอบการประกอบที่ไม่ถูกต้องหรือการเชื่อมต่อของชิ้นส่วนที่เคลื่อนที่ การแตกหักของชิ้นส่วน หรือสภาพอื่นๆ ที่อาจส่งผลกระทบต่อการทำงานของเครื่องมือไฟฟ้า หากมีความเสียหายให้นำเครื่องมือไฟฟ้าไปซ่อมแซมก่อนการใช้งาน อุบัติเหตุจำนวนมากเกิดจากการดูแลรักษาเครื่องมือไฟฟ้าอย่างไม่ถูกต้อง
- ล้างความคมและทำความสะอาดเครื่องมือการตัดอยู่เสมอ เครื่องมือการตัดที่มีการดูแลอย่างถูกต้องและมีขอบการตัดคมมักจะมีปัญหาติดขัดน้อยและควบคุมได้ง่ายกว่า
- ใช้เครื่องมือไฟฟ้า อุปกรณ์เสริม และวัสดุสิ้นเปลือง ฯลฯ ตามคำแนะนำดังกล่าว พิจารณาสภาพการทำงานและงานที่จะลงมือทำ การใช้เครื่องมือไฟฟ้าเพื่อทำงานอื่นนอกเหนือจากที่กำหนดไว้อาจทำให้เกิดอันตราย

## การบริการ

- นำเครื่องมือไฟฟ้าเข้ารับบริการจากช่างซ่อมที่ผ่านการรับรองโดยใช้อะไหล่แบบเดียวกันเท่านั้น เพราะจะทำให้การใช้เครื่องมือไฟฟ้ามีความปลอดภัย
- ปฏิบัติตามคำแนะนำในการหล่อลื่นและการเปลี่ยนอุปกรณ์เสริม
- ดูแลมือจับให้แห้ง สะอาด และไม่มีน้ำมันและจาระบีเปื้อน

GEB001-6

## คำเตือนด้านความปลอดภัยของสว่านไฟฟ้า

- ใช้มือจับเสริม ถ้ามีมากับเครื่อง การสูญเสียความควบคุม อาจทำให้เกิดการบาดเจ็บ
- ถือเครื่องมือบริเวณมือจับที่เป็นฉนวนขณะทำงานที่เครื่องมือตัดอาจสัมผัสกับสายไฟที่ซ่อนอยู่หรือสายไฟของเครื่องเอง อุปกรณ์การตัดที่สัมผัสกับสายไฟที่ "มีกระแสไฟฟ้าไหลผ่าน" อาจทำให้ส่วนที่เป็นโลหะของเครื่องมือไฟฟ้าที่ไม่ใช่ฉนวนหุ้ม "มีกระแสไฟฟ้าไหลผ่าน" และทำให้ผู้ปฏิบัติงานถูกไฟฟ้าช็อตได้
- ตรวจสอบบริเวณที่ยืนให้มีความมั่นคงเสมอ หากใช้งานเครื่องมือในพื้นที่สูง ระวังอย่าให้มีคนอยู่ด้านล่าง
- จับเครื่องมือให้แน่น
- ระวังอย่าให้มือสัมผัสกับชิ้นส่วนที่หมุนได้
- อย่าปล่อยให้เครื่องมือทำงานค้างไว้ ใช้งานเครื่องมือในขณะที่ถืออยู่เท่านั้น
- ห้ามสัมผัสกับดอกสว่านหรือชิ้นงานทันทีที่ทำงานเสร็จ เนื่องจากดอกสว่านหรือชิ้นงานอาจมีความร้อนสูงและลวกผิวหนังของคุณได้
- วัสดุบางอย่างอาจมีสารเคมีที่เป็นพิษ ระวังอย่าสูดดมฝุ่นหรือให้สารเหล่านั้นสัมผัสกับร่างกาย ปฏิบัติตามข้อมูลด้านความปลอดภัยของผู้ผลิตวัสดุ

## บันทึกคำแนะนำเหล่านี้

### คำเตือน:

อย่าให้ความไม่ระมัดระวังหรือความคุ้นเคยกับผลิตภัณฑ์ (จากการใช้งานซ้ำหลายครั้ง) อยู่เหนือการปฏิบัติตามกฎเกณฑ์ด้านความปลอดภัยในการใช้งานผลิตภัณฑ์อย่างเคร่งครัด การปฏิบัติตามอย่างไม่เหมาะสมหรือการไม่ปฏิบัติตามกฎเกณฑ์ด้านความปลอดภัยในคู่มือใช้งานนี้อาจก่อให้เกิดการบาดเจ็บอย่างรุนแรง

## คำอธิบายการทำงาน

### ข้อควรระวัง:

- ตรวจสอบให้แน่ใจว่าสวิตช์เครื่องมืออยู่ในตำแหน่งปิดเครื่อง และถอดปลั๊กเครื่องมือออกก่อนปรับตั้งหรือตรวจสอบการทำงาน ของเครื่องมือ

### การทำงานของสวิตช์ (ภาพที่ 1)

#### ข้อควรระวัง:

- ก่อนเสียบปลั๊กเครื่องมือ ให้ตรวจสอบว่าสวิตช์สั่งงานสามารถทำงานได้อย่างถูกต้อง และกลับไปยังตำแหน่ง "OFF" เมื่อปล่อย เปิดใช้เครื่องมือโดยดึงสวิตช์สั่งงาน ความเร็วเครื่องมือจะเพิ่มขึ้นเมื่อออกแรงกดที่สวิตช์สั่งงาน ปล่อยสวิตช์สั่งงานเพื่อหยุดทำงาน ถ้าต้องการใช้งานอย่างต่อเนื่อง ดึงสวิตช์สั่งงานและกดปุ่มล็อก ถ้าต้องการเลิกใช้งานเครื่องมือในตำแหน่งล็อก ให้ดึงสวิตช์สั่งงานจนสุด จากนั้นปล่อยสวิตช์

สกรูควบคุมความเร็วมีจุดประสงค์เพื่อให้ผู้ใช้สามารถควบคุมความเร็วเครื่องมือได้ (แตกต่างกัน)

การหมุนสกรูควบคุมความเร็วตามเข็มนาฬิกาจะเป็นการทำให้ความเร็วสูงขึ้น การหมุนสกรูควบคุมความเร็วทวนเข็มนาฬิกาจะเป็นการทำให้ความเร็วต่ำลง

### การใช้งานสวิตช์เปลี่ยนทิศทาง

#### สำหรับรุ่น DP4700 เท่านั้น (ภาพที่ 2)

เครื่องมือนี้มีสวิตช์เปลี่ยนทิศทาง เพื่อใช้เปลี่ยนทิศทางการหมุน ปรับก้านสวิตช์เปลี่ยนทิศทางไปที่ตำแหน่ง ๑ สำหรับการหมุนตามเข็มนาฬิกา (เดินหน้า) หรือตำแหน่ง ๒ สำหรับการหมุนทวนเข็มนาฬิกา (ย้อนกลับ)

#### สำหรับรุ่น 6402 (ภาพที่ 3)

เครื่องมือนี้มีสวิตช์เปลี่ยนทิศทาง เพื่อใช้เปลี่ยนทิศทางการหมุน เลื่อนก้านสวิตช์เปลี่ยนทิศทางไปทางด้าน "FWD" เพื่อให้หมุนตามเข็มนาฬิกา (เดินหน้า) หรือไปทางด้าน "REV" เพื่อให้หมุนทวนเข็มนาฬิกา (กลับหลัง)

#### ข้อควรระวัง:

- ตรวจสอบทิศทางการหมุนก่อนเริ่มงานเสมอ
- ใช้สวิตช์เปลี่ยนทิศทางหลังเครื่องมือหยุดสนิทเท่านั้น เนื่องจากการเปลี่ยนทิศทางการหมุนก่อนเครื่องมือหยุดอาจทำให้เครื่องมือเสียหายได้

## การประกอบ

#### ข้อควรระวัง:

- ตรวจสอบให้แน่ใจว่าสวิตช์เครื่องมืออยู่ในตำแหน่งปิดเครื่อง และถอดปลั๊กเครื่องมือออกก่อนดำเนินงานใดๆ กับเครื่องมือ

## การติดตั้งด้ามจับด้านข้าง (มือจับเสริม)

สำหรับรุ่น DP4700 (ภาพที่ 4)

### ⚠ ข้อควรระวัง:

- ตรวจสอบให้แน่ใจทุกครั้งว่าด้ามจับด้านข้างติดตั้งอย่างมั่นคงก่อนที่จะทำงาน

ขั้นสูงดูด้ามจับด้านข้างของเครื่องมือให้แน่น

## การติดตั้งหรือถอดดอกสว่าน

สำหรับเครื่องมือที่มีหัวจับแบบมาตรฐาน (ภาพที่ 5)

เมื่อต้องการติดตั้งดอกสว่าน ให้ใส่ดอกสว่านลงในหัวจับจนสุด ชันแน่นหัวจับด้วยมือ ใช้ประแจขันหัวจับขึ้นทั้งสามรูตามเข็มนาฬิกาอย่างลึม ชันหัวจับทั้งสามรูให้เท่ากัน

ถ้าต้องการถอดดอกสว่าน ให้หมุนประแจขันหัวจับทวนเข็มนาฬิกาเพียงรูเดียว จากนั้นคลายหัวจับด้วยมือ

หลังจากใช้ประแจขันหัวจับ ให้เก็บประแจกลับเข้าที่ตำแหน่งเดิม

สำหรับเครื่องมือที่มีหัวจับแบบไม่มีกัญญ (ภาพที่ 6)

ยึดแหวนไว้ และหมุนปลอกทวนเข็มนาฬิกาเพื่อเปิดปากหัวจับ ใส่ดอกสว่านลงไปจนสุด ยึดแหวนไว้ และหมุนปลอกตามเข็มนาฬิกาเพื่อขันแน่นหัวจับ

การถอดดอกสว่าน ให้ยึดแหวนไว้และหมุนปลอกทวนเข็มนาฬิกา

## การใช้งาน

### การถือเครื่องมือ

สำหรับรุ่น DP4700

จับเครื่องมือให้แน่นด้วยมือข้างหนึ่งที่ด้ามจับของเครื่องมือและใช้มืออีกข้างหนึ่งที่มือจับด้านข้างเมื่อใช้งานเครื่องมือ

### การเจาะ

#### การเจาะไม้

เพื่อให้ได้ผลดีในการเจาะไม้ ควรใช้สว่านเจาะไม้ควบคู่กับสกรูนำ สกรูนำจะช่วยให้การเจาะง่ายขึ้น โดยการติดตั้งดอกสว่านลงในชิ้นงาน

#### การเจาะโลหะ

เพื่อป้องกันดอกสว่านเลื่อนเมื่อเริ่มเจาะ ให้นำรอยตัดด้วยเหล็ก เจาะนำศูนย์และค้อนในจุดที่จะเจาะ วางปลายดอกสว่านที่รอยตัด และเริ่มเจาะ

ใช้สารหล่อลื่นสำหรับการกัดเมื่อเจาะโลหะ ยกเว้นการเจาะเหล็ก และทองเหลือง ซึ่งควรเจาะแบบแห้ง

### ⚠ ข้อควรระวัง:

- การออกแรงกดบนเครื่องมือไม่ช่วยให้การเจาะเร็วขึ้น ตามข้อเท็จจริงแล้ว แรงกดที่มากเกินไปจะทำให้ปลายดอกสว่านเสียหาย ลดประสิทธิภาพและอายุการใช้งานของเครื่องมือ

- จะมีแรงบิดบนเครื่องมือ/ดอกสว่านอย่างมากขณะเจาะรูทะลุ จับเครื่องมือให้แน่น และระมัดระวังเมื่อดอกสว่านเริ่มเจาะทะลุขึ้นงาน
- ดอกสว่านที่ติดอยู่ที่ชิ้นงานสามารถนำออกมาได้ง่ายโดยการใช้งานสวิตช์เปลี่ยนทิศทางเพื่อเปลี่ยนทิศทางการหมุนของดอกสว่านให้ถอยออกจากชิ้นงาน อย่างไรก็ตาม เครื่องมืออาจจะถอยออกทันทีโดยที่คุณไม่ทันตั้งตัว คุณจึงควรจับเครื่องมือไว้ให้แน่น
- ยึดชิ้นงานขนาดเล็กด้วยปากกาจับงาน หรืออุปกรณ์ยึดที่คล้ายคลึงกันเสมอ
- หลีกเลี่ยงการเจาะในวัสดุที่คุณสงสัยว่ามีตะปูซ่อนอยู่ หรือสิ่งอื่น ๆ ที่อาจเป็นสาเหตุให้ดอกสว่านติดขัดหรือหัก

## การบำรุงรักษา

### ⚠ ข้อควรระวัง:

- ตรวจสอบให้แน่ใจว่าได้ปิดสวิตช์เครื่องมือและถอดปลั๊กออกก่อนทำการตรวจสอบหรือบำรุงรักษา
- อย่าใช้น้ำมันเชื้อเพลิง เบนซิน ทินเนอร์ แอลกอฮอล์ หรือวัสดุประเภทเดียวกัน เพราะอาจทำให้เครื่องมือมีสีที่ชัดเจน ผิดรูปทรงหรือแตกหักได้

เพื่อความปลอดภัยและความน่าเชื่อถือของผลิตภัณฑ์ ควรให้ศูนย์บริการที่ผ่านการรับรองจาก Makita เป็นผู้ดำเนินการซ่อมแซม ตรวจสอบและเปลี่ยนแปลงคาร์บอน บำรุงรักษา และการปรับตั้งอื่นๆ นอกจากนี้ให้ใช้อะไหล่ของแท้จาก Makita เสมอ

## อุปกรณ์เสริม

### ⚠ ข้อควรระวัง:

- ขอแนะนำให้ใช้เฉพาะอุปกรณ์เสริมหรืออุปกรณ์ต่อพ่วงเหล่านี้กับเครื่องมือ Makita ที่ระบุในคู่มือ การใช้อุปกรณ์เสริมหรืออุปกรณ์ต่อพ่วงอื่นๆ อาจมีความเสี่ยงที่จะได้รับบาดเจ็บ ใช้ อุปกรณ์เสริมหรืออุปกรณ์ต่อพ่วงตามวัตถุประสงค์ที่ระบุไว้เท่านั้น

หากคุณต้องการทราบรายละเอียดเกี่ยวกับอุปกรณ์เสริมเหล่านี้ โปรดสอบถามศูนย์บริการ Makita ใกล้บ้านคุณ

- ดอกสว่าน
- หัวจับดอกสว่านแบบไม่มีกัญญ
- ประแจขันหัวจับ
- ด้ามจับ 36

### หมายเหตุ:

- อุปกรณ์บางรายการอาจจะรวมอยู่ในชุดอุปกรณ์พื้นฐานของผลิตภัณฑ์ ซึ่งอาจแตกต่างกันไปในแต่ละประเทศ



**Makita Corporation**  
3-11-8, Sumiyoshi-cho,  
Anjo, Aichi 446-8502 Japan  
[www.makita.com](http://www.makita.com)

883255A377

TRD