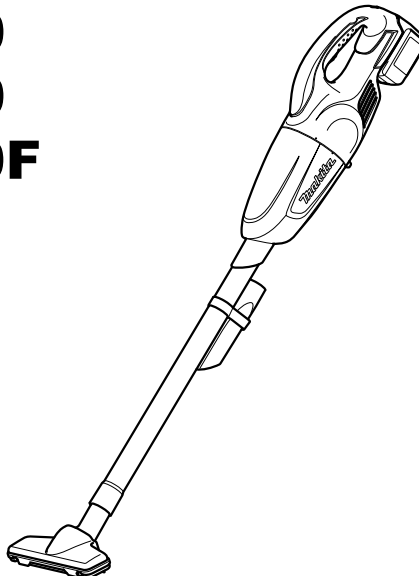




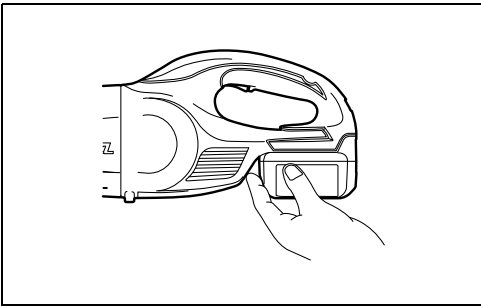
<b>EN</b>	Cordless Cleaner	Instruction manual
<b>ZHCN</b>	充电式吸尘器	使用说明书
<b>ID</b>	Pembersih Nirkabel	Petunjuk penggunaan
<b>VI</b>	Máy Hút Bụi Cầm Tay Hoạt Động Bằng Pin	Tài liệu hướng dẫn
<b>TH</b>	เครื่องดูดฝุ่นไร้สาย	คู่มือการใช้งาน

**DCL140**  
**DCL180**  
**DCL180F**



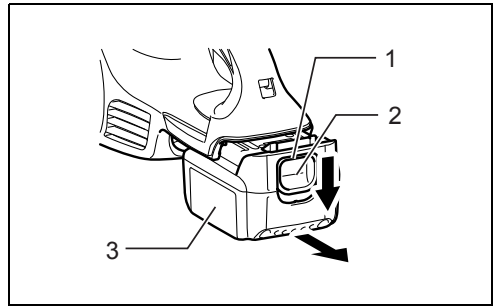
009983





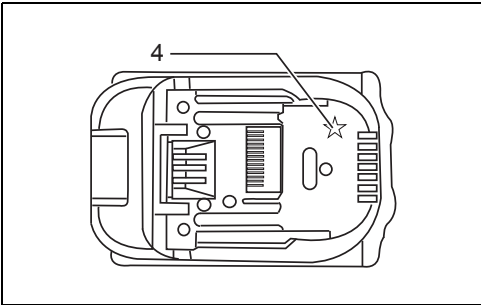
1

009984



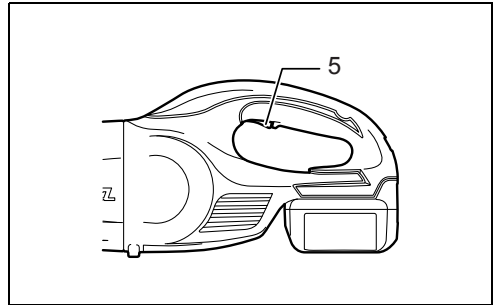
2

012129



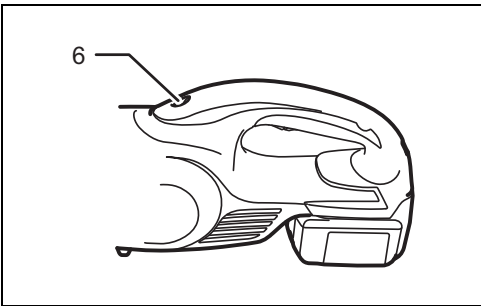
3

012128



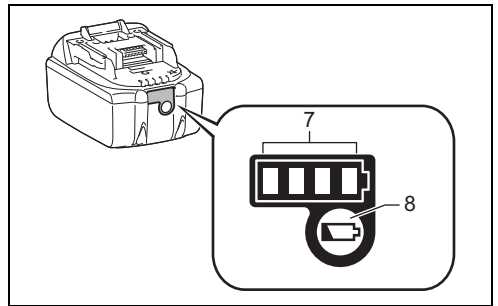
4

009986



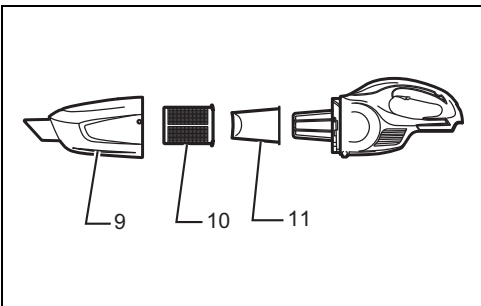
5

015713



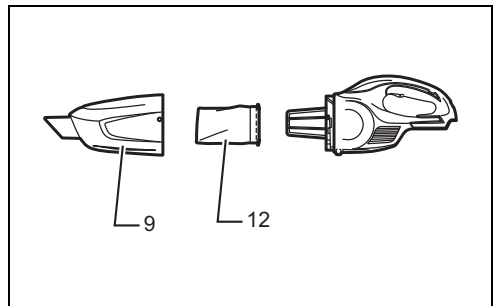
6

0966915



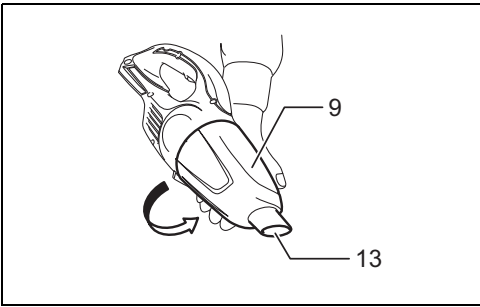
7

0966901



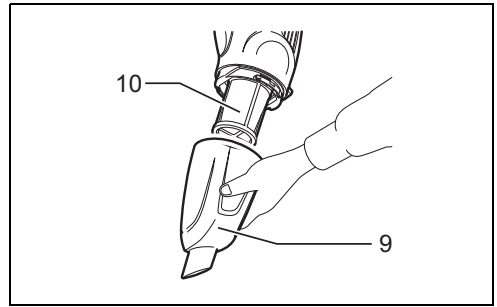
8

0966902



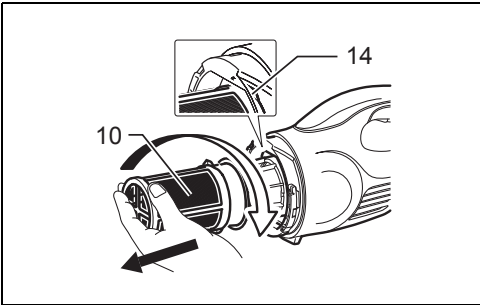
9

009993



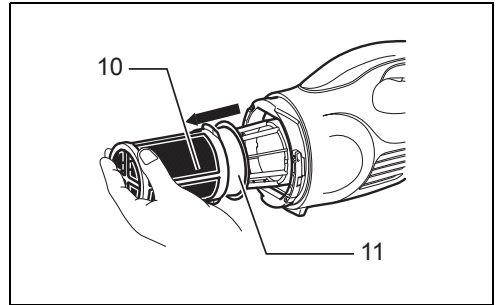
10

009994



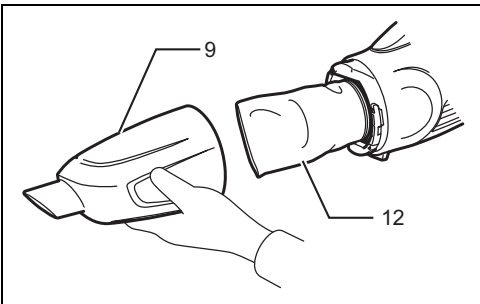
11

1043801



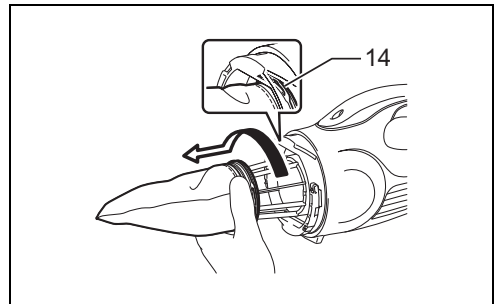
12

1043802



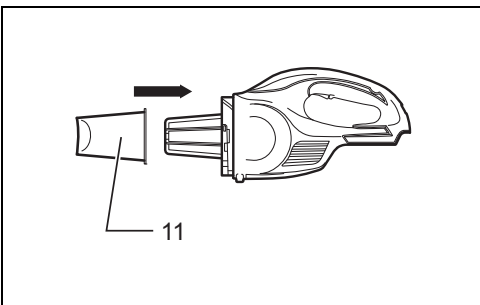
13

0966903



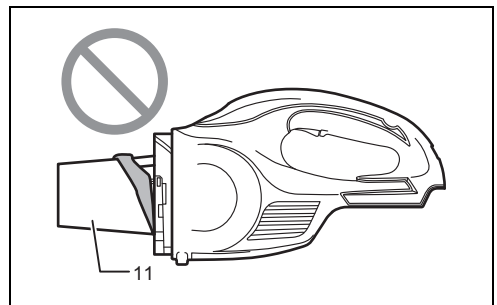
14

1043803



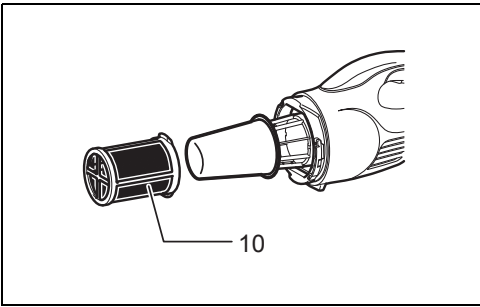
15

009997



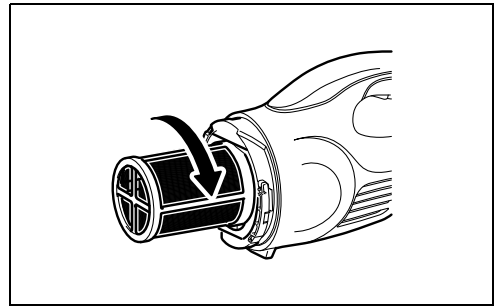
16

0966912



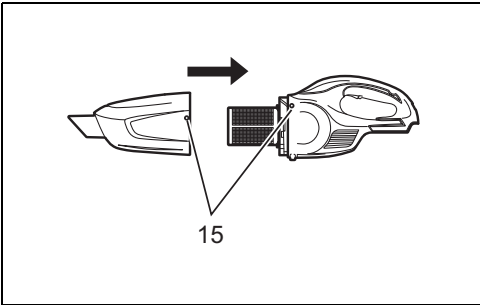
17

1043804



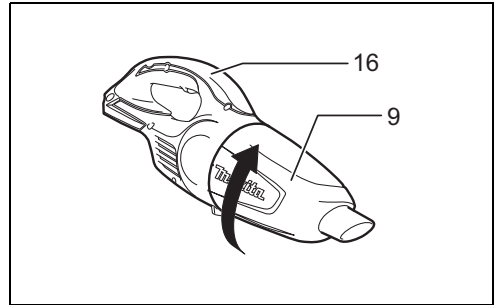
18

010000



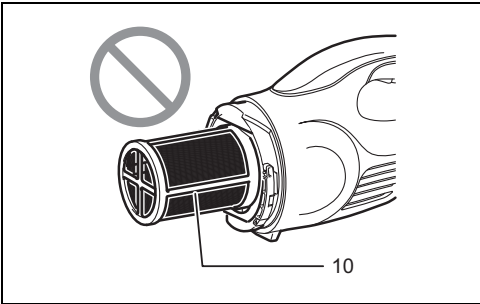
19

010001



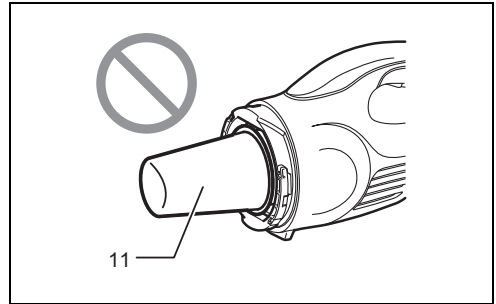
20

010002



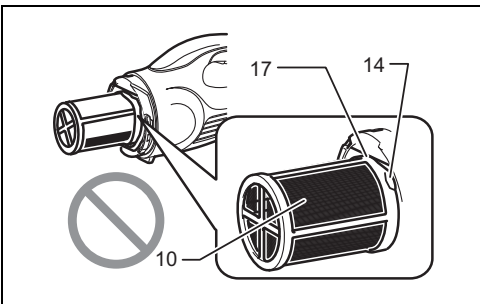
21

0966910



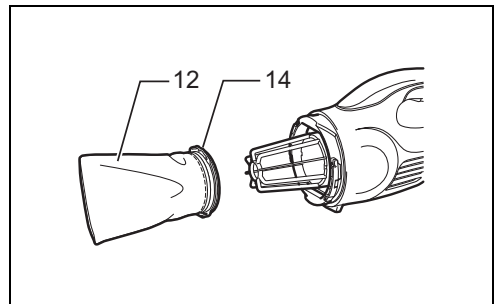
22

0966911



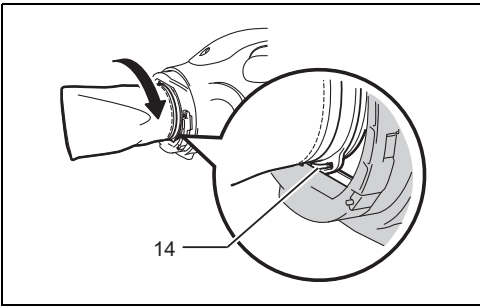
23

0966913



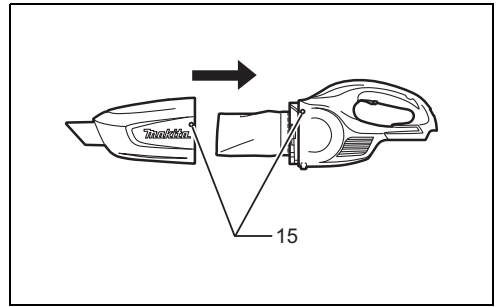
24

1043805



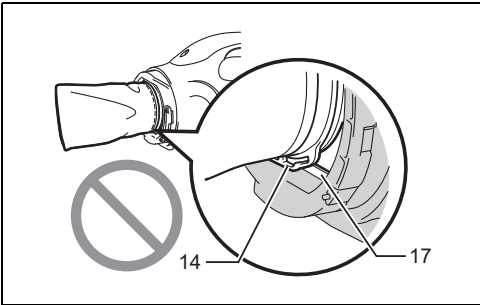
25

0966908



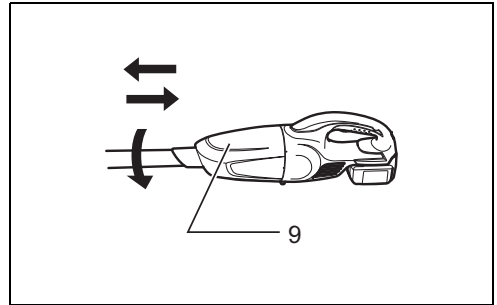
26

0966906



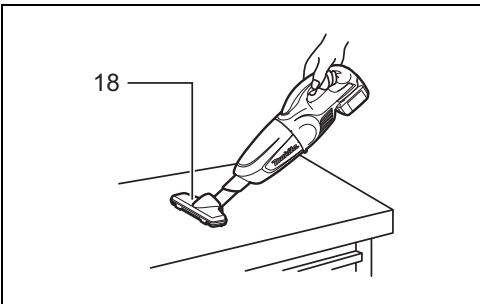
27

0966909



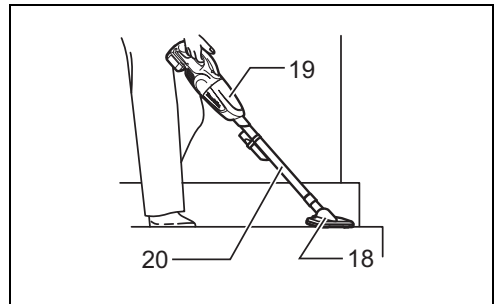
28

009987



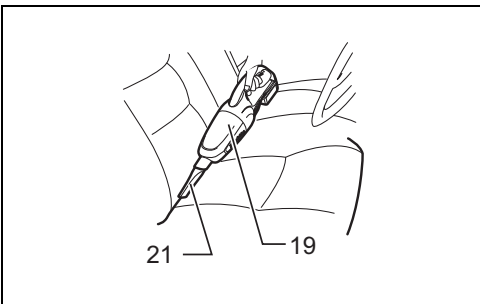
29

009988



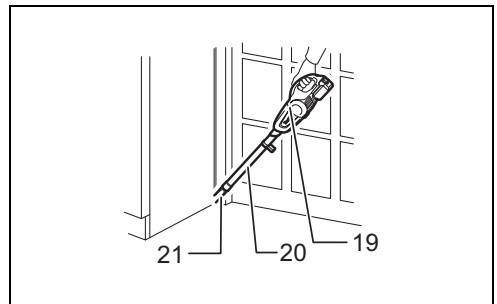
30

009989



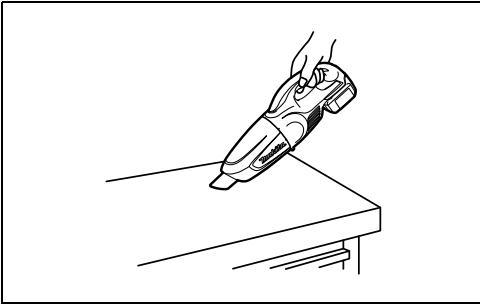
31

009990



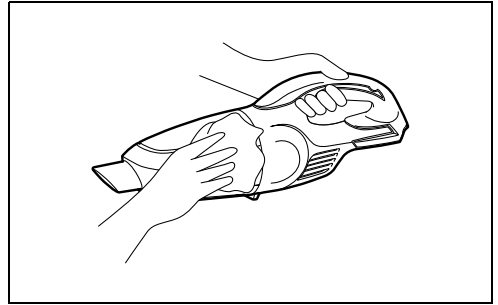
32

009991



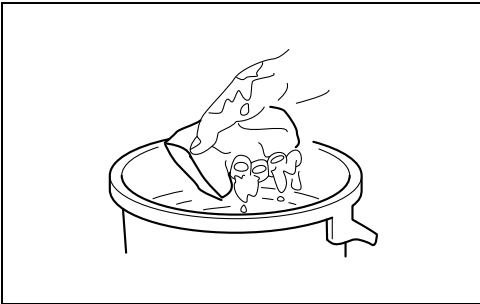
**33**

010052



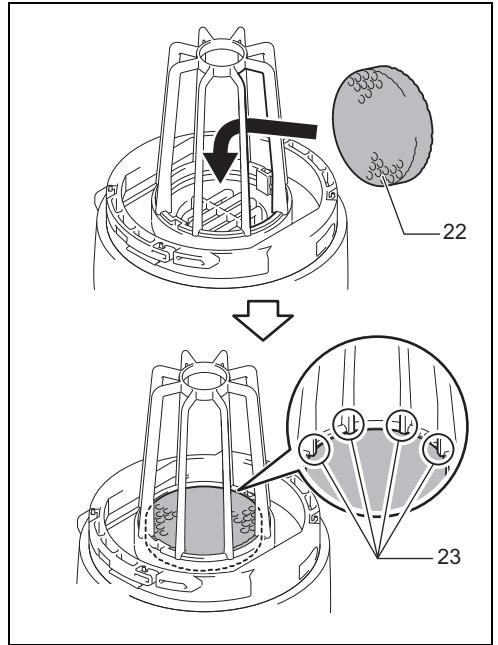
**34**

010008



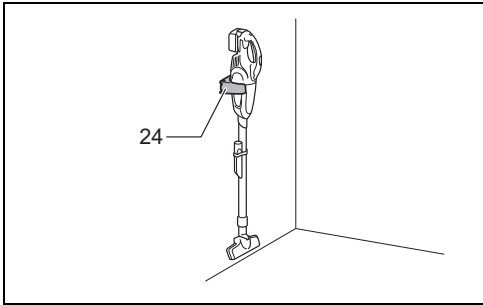
**35**

010009



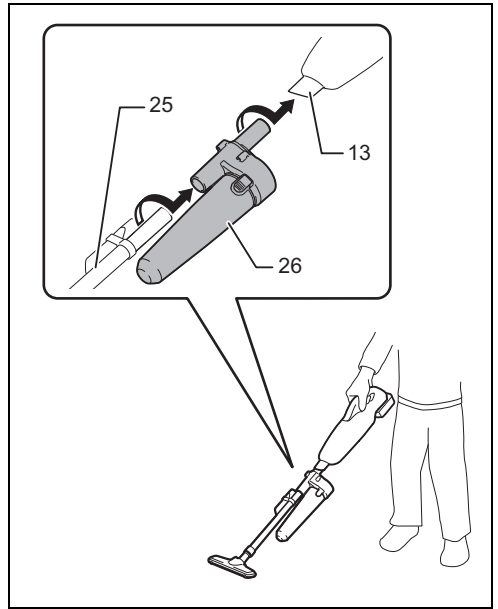
**36**

1043806



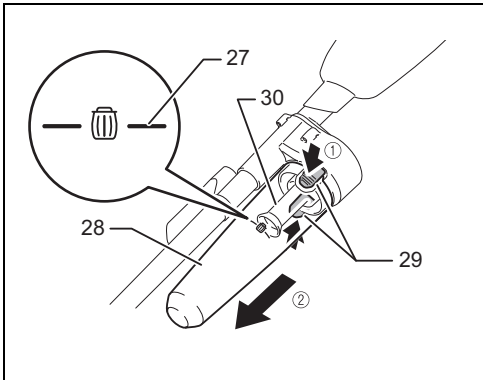
**37**

1050603



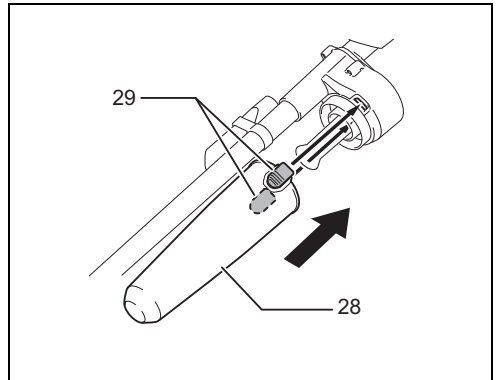
**38**

1206607



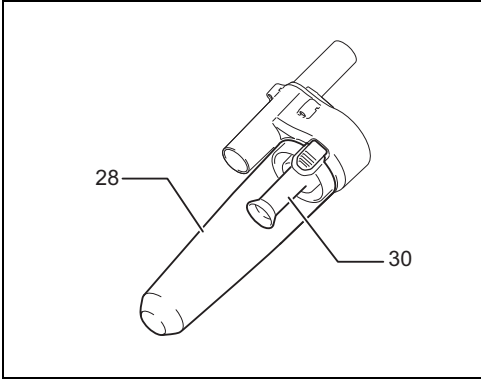
**39**

1206608



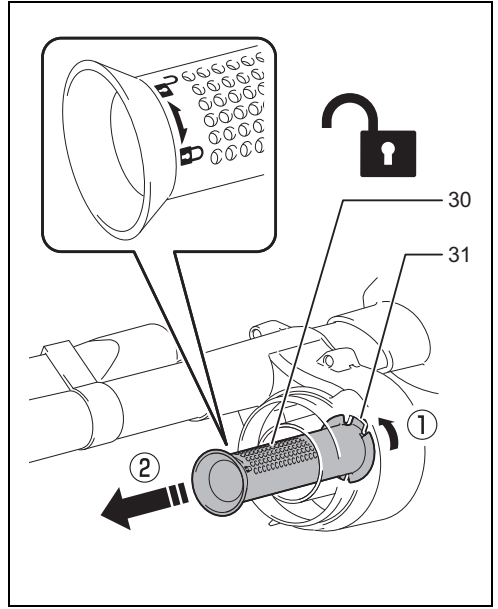
**40**

1206609



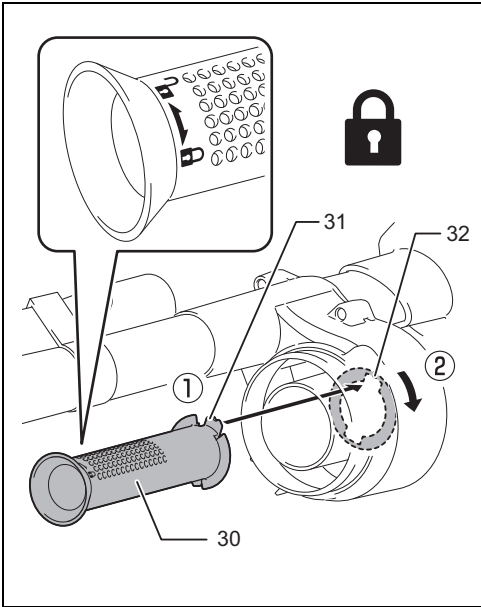
**41**

1206610



**42**

1206611



**43**

1206612



## ENGLISH (Original instructions)

**WARNING:** This appliance can be used by children aged from 8 years and above and persons with reduced physical, sensory or mental capabilities or lack of experience and knowledge if they have been given supervision or instruction concerning use of the appliance in a safe way and understand the hazards involved. Children shall not play with the appliance. Cleaning and user maintenance shall not be made by children without supervision.

### Explanation of general view

- |                      |                               |                                     |
|----------------------|-------------------------------|-------------------------------------|
| 1. Red indicator     | 12. High performance filter   | 23. Bottom edge of pillar           |
| 2. Button            | 13. Suction inlet             | 24. Wall mount for cordless cleaner |
| 3. Battery cartridge | 14. Securing lip              | 25. Straight pipe                   |
| 4. Star marking      | 15. O Mark                    | 26. Cyclone attachment              |
| 5. Switch trigger    | 16. Handle                    | 27. Full line                       |
| 6. Lamp              | 17. Groove of cleaner housing | 28. Dust case                       |
| 7. Indicator lamps   | 18. Nozzle                    | 29. Button (two locations)          |
| 8. Check button      | 19. Cleaner body              | 30. Mesh filter                     |
| 9. Capsule           | 20. Extension wand            | 31. Hook                            |
| 10. Prefilter        | 21. Corner nozzle             | 32. Port                            |
| 11. Filter           | 22. Sponge filter             |                                     |

## SPECIFICATIONS

Model	DCL140	DCL180	DCL180F
Capacity	650 mL		
Continuous use	Approx. 20 min		
Overall length	981 mm	999 mm	
Net weight	1.2 - 1.4 kg	1.2 - 1.5 kg	1.3 - 1.6 kg
Rated voltage	D.C. 14.4 V	D.C. 18 V	

- Due to our continuing program of research and development, the specifications herein are subject to change without notice.
- Specifications may differ from country to country.
- The weight does not include accessories but battery cartridge(s). The lightest and heaviest combination weight of the appliance and battery cartridge(s) are shown in the table.

## Applicable battery cartridge and charger

Battery cartridge	D.C. 14.4 V Model	BL1415N/BL1430/BL1430B/BL1440/BL1450/BL1460B
	D.C. 18 V Model	BL1815N/BL1820/BL1820B/BL1830/BL1830B/BL1840/BL1840B/BL1850/BL1850B/BL1860B
Charger	DC18RC/DC18RD/DC18RE/DC18SD/DC18SE/DC18SF/DC18SH	

- Some of the battery cartridges and chargers listed above may not be available depending on your region of residence.

### WARNING:

- **Only use the battery cartridges and chargers listed above.** Use of any other battery cartridges and chargers may cause injury and/or fire.

### Symbols

The following show the symbols which may be used for the equipment. Be sure that you understand their meaning before use.

END315-1

### Intended use

The tool is intended for collecting dry dust.


ENE017-1



..... Read instruction manual.

## Cordless cleaner safety warnings

ENA007-2

 **WARNING: IMPORTANT! READ CAREFULLY** all safety warnings and all instructions **BEFORE USE** .

Failure to follow the warnings and instructions may result in electric shock, fire and/or serious injury.

1. Do not expose to rain. Store indoors.
2. Do not allow to be used as a toy. Close attention is necessary when used by or near children.
3. Use only as described in this manual. Use only manufacturer's recommended attachments.
4. Do not use with damaged battery. If appliance is not working as it should, has been dropped, damaged, left outdoors, or dropped into water, return it to a service center.
5. Do not handle appliance with wet hands.
6. Do not put any object into openings. Do not use with any opening blocked; keep free of dust, lint, hair, and anything that may reduce air flow.
7. Keep hair, loose clothing, fingers, and all parts of body away from openings and moving parts.
8. Turn off all controls before removing the battery.
9. Use extra care when cleaning on stairs.
10. Do not use to pick up flammable or combustible liquids, such as gasoline, or use in areas where they may be present.
11. Use only the charger supplied by the manufacturer to recharge.
12. Do not pick up anything that is burning or smoking, such as cigarettes, matches, or hot ashes.
13. Do not use without dust bag and/or filters in place.
14. Do not charge the battery outdoors.
15. Recharge only with the charger specified by the manufacturer. A charger that is suitable for one type of battery pack may create a risk of fire when used with another battery pack.
16. Use power tools only with specifically designated battery packs. Use of any other battery packs may create a risk of injury and fire.
17. When (the) battery pack is not in use, keep it away from other metal objects, like paper clips, coins, keys, nails, screws or other small metal objects, that can make a connection from one terminal to another.
18. Under abusive conditions, liquid may be ejected from the battery; avoid contact. If contact accidentally occurs, flush with water.
19. Do not use a battery pack or tool that is damaged or modified. Damaged or modified batteries may exhibit unpredictable behaviour resulting in fire, explosion or risk of injury.
20. Do not expose a battery pack or tool to fire or excessive temperature. Exposure to fire or temperature above 130 °C may cause explosion.
21. Follow all charging instructions and do not charge the battery pack or tool outside the temperature range specified in the instructions. Charging improperly or at temperatures outside the specified range may damage the battery and increase the risk of fire.

## SAVE THESE INSTRUCTIONS.

### ADDITIONAL SAFETY RULES

ENB127-1

This appliance is intended for household use.

1. Read this instruction manual and the charger instruction manual carefully before use.
2. Do not pick up the following materials:
  - Hot materials such as lit cigarettes or spark/metal dust generated by grinding/cutting metal
  - Flammable materials such as gasoline, thinner, benzene, kerosene or paint
  - Explosive materials like nitroglycerin
  - Ignitable materials such as Aluminum, zinc, magnesium, titanium, phosphorus or celluloid
  - Wet dirt, water, oil or the like
  - Hard pieces with sharp edges, such as wood chips, metals, stones, glasses, nails, pins or razors
  - Powder to clot such as cement or toner
  - Conductive dust such as metal or carbon
  - Fine particle like concrete dustSuch action may cause fire, injury and/or property damage.
3. Stop operation immediately if you notice anything abnormal.
4. If you drop or strike the cleaner, check it carefully for cracks or damage before operation.
5. Do not bring close to stoves or other heat sources.
6. Do not block the intake hole or vent holes.

## SAVE THESE INSTRUCTIONS.

### IMPORTANT SAFETY INSTRUCTIONS FOR BATTERY CARTRIDGE

ENC007-13

1. Before using battery cartridge, read all instructions and cautionary markings on (1) battery charger, (2) battery, and (3) product using battery.
2. Do not disassemble battery cartridge.
3. If operating time has become excessively shorter, stop operating immediately. It may result in a risk of overheating, possible burns and even an explosion.
4. If electrolyte gets into your eyes, rinse them out with clear water and seek medical attention right away. It may result in loss of your eyesight.
5. Do not short the battery cartridge:
  - (1) Do not touch the terminals with any conductive material.
  - (2) Avoid storing battery cartridge in a container with other metal objects such as nails, coins, etc.
  - (3) Do not expose battery cartridge to water or rain.

A battery short can cause a large current flow, overheating, possible burns and even a breakdown.

6. Do not store the tool and battery cartridge in locations where the temperature may reach or exceed 50°C (122°F).
7. Do not incinerate the battery cartridge even if it is severely damaged or is completely worn out. The battery cartridge can explode in a fire.
8. Be careful not to drop or strike battery.
9. Do not use a damaged battery.
10. The contained lithium-ion batteries are subject to the Dangerous Goods Legislation requirements. For commercial transports e.g. by third parties, forwarding agents, special requirement on packaging and labeling must be observed.  
For preparation of the item being shipped, consulting an expert for hazardous material is required. Please also observe possibly more detailed national regulations.  
Tape or mask off open contacts and pack up the battery in such a manner that it cannot move around in the packaging.
11. When disposing the battery cartridge, remove it from the tool and dispose of it in a safe place. Follow your local regulations relating to disposal of battery.
12. Use the batteries only with the products specified by Makita. Installing the batteries to non-compliant products may result in a fire, excessive heat, explosion, or leak of electrolyte.
13. If the tool is not used for a long period of time, the battery must be removed from the tool.

## SAVE THESE INSTRUCTIONS.

**⚠ CAUTION: Only use genuine Makita batteries.**  
Use of non-genuine Makita batteries, or batteries that have been altered, may result in the battery bursting causing fires, personal injury and damage. It will also void the Makita warranty for the Makita tool and charger.

### Tips for maintaining maximum battery life

1. Charge the battery cartridge before completely discharged.  
Always stop tool operation and charge the battery cartridge when you notice less tool power.
2. Never recharge a fully charged battery cartridge. Overcharging shortens the battery service life.
3. Charge the battery cartridge with room temperature at 10°C - 40°C (50°F - 104°F). Let a hot battery cartridge cool down before charging it.
4. Charge the battery cartridge if you do not use it for a long period (more than six months).

## FUNCTIONAL DESCRIPTION

**⚠ CAUTION:**

- Always be sure that the tool is switched off and the battery cartridge is removed before adjusting or checking function on the tool.
- Take care not to trap finger(s) between cleaner and battery as shown in diagram when loading battery. Trapping finger(s) may cause injury. (Fig. 1)

## Installing or removing battery cartridge (Fig. 2)

### ⚠ CAUTION:

- Always switch off the tool before installing or removing of the battery cartridge.
  - Hold the tool and the battery cartridge firmly when installing or removing battery cartridge. Failure to hold the tool and the battery cartridge firmly may cause them to slip off your hands and result in damage to the tool and battery cartridge and a personal injury.
- To remove the battery cartridge, slide it from the tool while sliding the button on the front of the cartridge.  
To install the battery cartridge, align the tongue on the battery cartridge with the groove in the housing and slip it into place. Insert it all the way until it locks in place with a little click. If you can see the red indicator on the upper side of the button, it is not locked completely.

### ⚠ CAUTION:

- Always install the battery cartridge fully until the red indicator cannot be seen. If not, it may accidentally fall out of the tool, causing injury to you or someone around you.
- Do not install the battery cartridge forcibly. If the cartridge does not slide in easily, it is not being inserted correctly.

## Battery protection system (Lithium-ion battery with star marking) (Fig. 3)

Lithium-ion batteries with a star marking are equipped with a protection system. This system automatically cuts off power to the tool to extend battery life.  
The tool will automatically stop during operation if the tool and/or battery are placed under one of the following conditions:

- Overloaded:  
The tool is operated in a manner that causes it to draw an abnormally high current.  
In this situation, release the trigger switch on the tool and stop the application that caused the tool to become overloaded. Then pull the trigger switch again to restart.  
If the tool does not start, the battery is overheated. In this situation, let the battery cool before pulling the trigger switch again.
- Low battery voltage:  
The remaining battery capacity is too low and the tool will not operate. In this situation, remove and recharge the battery.

## Switch action (Fig. 4)

### ⚠ CAUTION:

- Before inserting the battery cartridge into the tool, always check to see that the switch trigger actuates properly and returns to the "OFF" position when released.
- To start the tool, simply pull the switch trigger. Release the switch trigger to stop.

## Lighting the lamp

For Model DCL180F only

### CAUTION:

- Never look into the light directly. Direct light causes damage to your eyes. (Fig. 5)









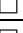












Pull the switch trigger to light up the lamp. Release the switch trigger to turn off.

## Indicating the remaining battery capacity

Only for battery cartridges with the indicator

(Fig. 6)

Press the check button on the battery cartridge to indicate the remaining battery capacity. The indicator lamps light up for few seconds.

Indicator lamps			Remaining capacity
 Lighted	 Off	 Blinking	
			75% to 100%
			50% to 75%
			25% to 50%
			0% to 25%
			Charge the battery.
			The battery may have malfunctioned.

### NOTE:

- Depending on the conditions of use and the ambient temperature, the indication may differ slightly from the actual capacity.

## ASSEMBLY

### CAUTION:

- Always be sure that the tool is switched off and the battery cartridge is removed before carrying out any work on the tool.

## Type of filter

Normal filter (Fig. 7)

High performance filter (Fig. 8)

## Disposing of dust

### CAUTION:

- Empty the cleaner before it becomes too full, or the suction force weakens.
- Be sure to empty out the dust inside the cleaner itself. Failure to do so may cause the filter to be clogged or the motor to be damaged.

## Disposing of dust for normal filter

In order to drop dust sticking on the filter in the capsule, tap the capsule 4 or 5 times with your hand.

Now point suction inlet downwards, turn capsule in direction of arrow in diagram, and disconnect capsule slowly and straight. (Fig. 9)

### NOTE:

- Dust may spill out when capsule is opened, so be sure to set a garbage bag beneath capsule. (Fig. 10)
- Remove accumulated dust from inside of capsule and off of prefilter. (Fig. 11)
- Twist prefilter in direction of arrow to unfasten securing lip from cleaner unit and then pull off prefilter. (Fig. 12)
- Clean out fine dust from prefilter. Next, remove filter, and lightly tap to dislodge dust.

## Disposing of dust for high performance filter

In order to drop dust sticking on the filter in the capsule, tap the capsule 4 or 5 times with your hand.

Now point suction inlet downwards, turn capsule in direction of arrow in diagram, and disconnect capsule slowly and straight. (Fig. 9)

### NOTE:

- Dust may spill out when capsule is opened, so be sure to set a garbage bag beneath capsule.
- Remove accumulated dust from inside of capsule and off of high performance filter. (Fig. 13)
- Twist high performance filter in direction of arrow to unfasten securing lip from cleaner unit and then pull off the filter. (Fig. 14)
- Clean out the fine dust and lightly tap to dislodge dust from high performance filter.

## Reassembly (Fig. 15)

## Reassembly for normal filter

Put on filter until it is fully in position on the cleaner unit.

### NOTE:

- Make sure filter is put on straight without being peeled back. If filter is put on incorrectly as shown in diagram, dust will get into motor housing, and cause motor failure. (Fig. 16)

Connect prefilter. At this time, make sure to twist prefilter so that securing lip is firmly locked into cleaner unit.

(Fig. 17 & 18)

Connect capsule. Align O symbol on capsule with O symbol on handle and then firmly twist capsule in direction of arrow until it is secured. (Fig. 19 & 20)

### NOTE:

- Always remove dust ahead of time, as suction power will be reduced if there is too much dust in cleaner.
- Always be sure to check that both filter and prefilter are loaded correctly prior to using cleaner. If they are not loaded correctly, dust will get into the motor housing, and cause motor failure.

If the following examples occur, filter and prefilter are not loaded correctly. Reload them correctly to rectify problem.

## Problem Examples

Example 1: Only prefilter has been loaded (no filter)

(Fig. 21)

Example 2: Only filter has been loaded (no prefilter)

(Fig. 22)

Example 3: Filter has been loaded in a peeled back state

(Fig. 16)

Example 4: Prefilter's securing lip is not firmly locked into groove of cleaner housing (Fig. 23)

## Reassembly for high performance filter

Connect high performance filter. At this time, make sure to twist high performance filter so that securing lip is firmly locked into cleaner unit. (Fig. 24 & 25)

Connect capsule. Align O symbol on capsule with O symbol on handle and then firmly twist capsule in direction of arrow until it is secured. (Fig. 26 & 20)

### NOTE:

- Always remove dust ahead of time, as suction power will be reduced if there is too much dust in cleaner.
- Always be sure to check that high performance filter is loaded correctly prior to using cleaner. If they are not loaded correctly, dust will get into the motor housing, and cause motor failure.

If the following examples occur, high performance filter is not loaded correctly. Reload them correctly to rectify problem.

## Problem Examples

Securing lip of high performance filter is not firmly locked into groove of cleaner housing. (Fig. 27)

## OPERATION

### ⚠ CAUTION:

- To connect attachments, such as nozzle, twist-insert attachment in direction of arrow to ensure secure connection during use. To disconnect attachment, twist-extract also in direction of arrow. If attachment is twisted in the opposite direction, when being connected or disconnected, capsule may become loose. (Fig. 28)

## Cleaning (Suction)

### Nozzle

Attach the nozzle to clean off tables, desks, furniture, etc. Nozzle slips on easily. (Fig. 29)

### Nozzle + Extension wand (Straight pipe)

The extension wand fits in between the nozzle and the cleaner itself. This arrangement is convenient for cleaning a floor while standing erect. (Fig. 30)

### Corner nozzle

Fit on the corner nozzle for cleaning corners and crevices of a car or furniture. (Fig. 31)

### Corner nozzle +Extension wand (Straight pipe)

In tight quarters where the cleaner itself cannot squeeze in, or in high places hard to reach, use this arrangement. (Fig. 32)

## Cleaning without nozzle

You can pick up powder and dust without nozzle. (Fig. 33)

## MAINTENANCE

### ⚠ CAUTION:

- Always be sure that the tool is switched off before attempting to perform inspection or maintenance.

## Cleaning

### ⚠ NOTICE:

- **Never use gasoline, benzine, thinner, alcohol or the like. Discoloration, deformation or cracks may result.**
- **Do not blow dust sticking on the cleaner and filters by air duster.** It brings dust into the housing and causes failure.
- **After washing filters, dry them thoroughly before use.** Insufficiently dried filters may cause poor suction and shorten the service life of the motor.
- **After cleaning filters and sponge filter, be sure to re-install them before use.** If you use the cleaner without filters and sponge filter, dust comes into the motor housing and cause malfunction.

## Cleaner body

From time to time wipe off the outside (cleaner body) of the cleaner using a cloth dampened in soapy water. Clean out also the suction opening and filter mounting area. (Fig. 34)

## Filter

Wash the filter in soapy water when it is clogged with dust and the cleaner power becomes weak. Dry it out thoroughly before use. (Fig. 35)

## Sponge filter

When the sponge filter becomes dirty, clean it as follows.

1. Remove the filter.
2. Pull out the sponge filter from between the pillars.
3. Clean the sponge filter by tapping or washing. If you wash it, dry it out thoroughly before use.
4. Insert the sponge filter from between the pillars and set it in the original position. Make sure that each bottom edge of the pillar holds down the sponge filter, and there is no gap between the sponge filter and suction opening. (Fig. 36)

## Wall mount for cordless cleaner

### Optional accessory

### NOTE:

- The screw to mount the holder is not included. Prepare a screw which fits with the material to screw into. Attach the wall mount for cordless cleaner to a hard wooden wall, beam or column, where the wall mount for cordless cleaner can be firmly secured. Always be sure that the wall mount for cordless cleaner is securely attached before hanging the cleaner. (Fig. 37)

### ⚠ CAUTION:

- **Do not hang the cleaner to the wall mount violently or hang other appliances than the cleaner.**

## Things to Check Before Asking for Repairs

Symptom	Area to be investigated	Fixing method
Weak suction power	<ul style="list-style-type: none"> <li>• Is capsule full of dust?</li> <li>• Is filter clogged?</li> <li>• Is battery exhausted?</li> </ul>	<ul style="list-style-type: none"> <li>• Empty dust from capsule.</li> <li>• Dust down or wash filter.</li> <li>• Recharge battery.</li> </ul>
Not working	<ul style="list-style-type: none"> <li>• Is battery exhausted?</li> </ul>	<ul style="list-style-type: none"> <li>• Recharge battery.</li> </ul>

010051

### NOTE:

• Do not attempt to repair cleaner by yourself. To maintain product SAFETY and RELIABILITY, repairs, any other maintenance or adjustment should be performed by Makita Authorized Service Centers, always using Makita replacement parts.

## OPTIONAL ACCESSORIES

### ⚠ CAUTION:

• These accessories or attachments are recommended for use with your Makita tool specified in this manual. The use of any other accessories or attachments might present a risk of injury to persons. Only use accessory or attachment for its stated purpose.

If you need any assistance for more details regarding these accessories, ask your local Makita Service Center.

- Extension wand (Straight pipe)
- Nozzle
- Nozzle for carpet
- Shelf brush
- Corner nozzle
- Round brush
- Flexible hose
- Filter
- Prefilter
- High performance filter
- Wall mount for cordless cleaner
- Cyclone attachment
- Makita genuine battery and charger

### NOTE:

• Some items in the list may be included in the tool package as standard accessories. They may differ from country to country.

## Cyclone attachment (Fig. 38)

### About the cyclone attachment

Using the cleaner with the cyclone attachment installed reduces the amount of dust that enters the capsule, which helps to prevent the suction force from weakening. In addition, cleaning after use is also simple.

### ⚠ CAUTION:

- **Always be sure that the tool is switched off and the battery cartridge is removed before carrying out any work on the tool.** If the battery cartridge is left inserted, the cleaner may start unexpectedly and result in injury.
- **Clean the mesh filter of the cyclone attachment and the filters of the cleaner unit when they become clogged.** Continued use in the clogged condition may result in heating or smoke.

### NOTICE:

- **When the cyclone attachment is attached, do not use the cleaner in the horizontal or upward facing condition.** Doing so may cause the mesh filter to become clogged.
- **Always use the cleaner with the filters installed, even when using the cyclone attachment.** Using the cleaner without the filters installed may result in a motor malfunction.

### NOTE:

- Check that the cyclone attachment, cleaner, and straight pipe are locked properly before use.
- Empty the dust case of the cyclone attachment and the capsule of the cleaner when dust has accumulated. Continued use will result in weakened suction force.

## Disposing of dust

When dust has accumulated up to the full line of the dust case, follow the procedure below and dispose of the dust.

1. Hold the dust case firmly, press and hold the two buttons, and remove the dust case. (Fig. 39)
2. Dispose of the dust inside the dust case and remove any dust and powder adhered to the surface of the mesh filter.
3. Insert the dust case all the way until the two buttons lock with a click. (Fig. 40)

### NOTE:

- Check that the cyclone attachment, cleaner, and straight pipe are all firmly connected before restarting operation.
- If the suction force does not recover even after disposing of the dust and cleaning the mesh filter, check whether dust has accumulated in the capsule of the cleaner or clogging has occurred.

## Cleaning

When the dust case becomes dirty or the mesh filter is clogged, remove and wash them with water. (Refer to "Disposing of dust" for the removal procedure.)

Dry the parts thoroughly before reinstallation and use. (Fig. 41)

When the mesh filter gets dirty badly, clean it in the following procedures.

1. Turn the mesh filter counterclockwise and remove it while the hooks are unlocked. (Fig. 42)
2. Remove the dust on the mesh filter and then wash it with water. After that, dry it thoroughly.
3. Insert the mesh filter into the base while the hooks are aligned with the port. Turn the mesh filter clockwise until the hooks are locked with a click. Make sure that the mesh filter is installed securely. (Fig. 43)

## 简体中文（原厂指导手册）

**警告：**本电器可由 8 岁以上的儿童和身体、感官或心智方面有障碍、或缺乏经验与知识的人员使用，但前提是他们受到监护或接受了本电器的相关安全使用指导并了解涉及的危险。禁止儿童玩耍本电器。禁止在没有监护的情况下由儿童进行清洁和用户维护。

### 总图说明

- |          |             |                |
|----------|-------------|----------------|
| 1. 红色指示灯 | 12. 高性能过滤器  | 23. 支柱底边       |
| 2. 按钮    | 13. 吸入口     | 24. 充电式吸尘器墙壁安装 |
| 3. 电池套管  | 14. 固定唇口    | 25. 直管         |
| 4. 启动标记  | 15. 0 形标记   | 26. 气旋组件       |
| 5. 开关扳机  | 16. 把手      | 27. 满载标线       |
| 6. 灯     | 17. 吸尘器外壳凹槽 | 28. 集尘盒        |
| 7. 指示灯   | 18. 喷嘴      | 29. 按钮（两处）     |
| 8. 检查按钮  | 19. 吸尘器机身   | 30. 滤网         |
| 9. 密封囊   | 20. 延长杆     | 31. 卡钩         |
| 10. 预滤器  | 21. 圆角喷嘴    | 32. 端口         |
| 11. 过滤器  | 22. 海绵过滤器   |                |

## 规格

型号	DCL140	DCL180	DCL180F
性能	650 mL		
连续使用	约 20 分钟		
总长	981 mm	999 mm	
净重	1.2 - 1.4 kg	1.2 - 1.5 kg	1.3 - 1.6 kg
额定电压	D. C. 14.4 V		D. C. 18 V

- 鉴于我司将持续实施研发计划，此处规格如有变更，恕不另行通知。
- 本产品在各个国家的规格可能有所不同。
- 重量不包括附件，但包括电池套管。下表列出了设备和电池套管最轻和最重的组合重量。

## 适用的电池套管和充电器

电池套管	D. C. 14.4 V 型号	BL1415N/BL1430/BL1430B/BL1440/BL1450/BL1460B
	D. C. 18 V 型号	BL1815N/BL1820/BL1820B/BL1830/BL1830B/BL1840/BL1840B/ BL1850/BL1850B/BL1860B
充电器	DC18RC/DC18RD/DC18RE/DC18SD/DC18SE/DC18SF/DC18SH	

- 根据您所居住的地区，可能无法使用上面列出的某些电池套管和充电器。

### ⚠ 警告：

- 仅使用以上列出的电池套管和充电器。使用任何其他电池套管和充电器可能会引起受伤或火灾。

符号 END315-1

下列所示为可能用于设备的符号。请确保在使用前理解各个符号的含义。



..... 请阅读操作手册。

设计用途 ENE017-1

本工具设计用于收集干尘。

## 充电式吸尘器安全警告

ENA007-2

**⚠ 警告：重要事项！使用前仔细阅读所有安全警告和操作指示。**违反以下列出的警告和操作指示可能导致触电、火灾和 / 或严重的人身伤害事故。

1. 不要暴露在雨中。室内保存。
2. 不允许用作玩具。当儿童使用或靠近儿童使用时，必须密切注意。
3. 仅按本手册所述使用。仅使用制造商推荐的配件。
4. 不要使用损坏的电池。如果设备不能正常工作、掉落、损坏，留在室外或掉入水中，请将其送回服务中心。
5. 不要用湿手握持。
6. 不要将任何物体放入开口中。不要在任何开口堵塞的情况下使用；保持没有灰尘、棉绒、头发和任何可能降低气流的東西。
7. 保持头发、宽松的衣服、手指和身体的所有部位远离开口和活动部件。
8. 取出电池前请关闭所有控制器。
9. 在楼梯上清洗时要格外小心。
10. 请勿用于吸捡易燃、易爆液体（如汽油）或可能存在这些液体的地方使用。
11. 仅使用制造商提供的充电器进行充电。
12. 不要吸捡任何燃烧或冒烟的东西，如香烟、火柴或热灰。
13. 不要在没有防尘袋和 / 或过滤器的情况下使用。
14. 请勿在室外对电池充电。
15. 仅使用制造商指定的充电器进行充电。适用于一种类型电池组的充电器如果用于其他电池组可能会引起火灾危险。

16. 使用电动工具时仅使用指定的电池组。使用任何其他电池组可能会引起人身伤害或火灾危险。
17. 当电池组未用时，请将其保存在远离金属物品之处，如回形针、硬币、钥匙、钉子、螺丝或其他小金属物体等。这些物体可能会将电池的两个端子连在一起。
18. 如果使用不当可能从电池渗出液体。避免接触此类流动物体。如果意外接触到电池漏液，请用水冲洗。
19. 不得使用损坏或改装过的电池组。损坏或改装过的电池可能会出现不可预见的情况，有引起火灾、爆炸或受伤的危险。
20. 不得将电池组或工具暴露在火中或过高温下。暴露在火中或温度高于 130°C 时可能会引起爆炸。
21. 遵守所有的充电说明，不得在超过说明书指定的温度范围内对电池组或工具充电。不正确充电或在超过指定的温度范围内充电都可能导致电池损坏，增加火灾风险。

## 请保留此说明书。

## 其他安全规则

ENB127-1

本电器不得用于家用。

1. 使用前仔细阅读本指导手册和充电器指导手册。
2. 不要吸捡以下材料：
  - 热烫材料，如点燃的香烟或打磨 / 切割金属产生的火花 / 金属粉尘
  - 易燃材料，如汽油、稀释剂、挥发油、煤油或油漆
  - 易爆材料，如硝酸甘油
  - 可燃材料，如铝、锌、镁、钛、磷或赛璐珞
  - 湿污垢、水、油等
  - 有锋利边缘的硬硬件，如木屑、金属、石头、玻璃、钉子、别针或剃须刀
  - 粉末凝块，如水泥或碳粉
  - 导电粉尘，如金属或碳
  - 细颗粒，如混凝土灰尘此类行为可能导致火灾、伤害和 / 或财产损失。
3. 如果发现任何异常，请立即停止操作。



4. 如果吸尘器掉落或受到撞击，请在操作前仔细检查是否有裂缝或损坏。
5. 不要靠近炉灶或其他热源。
6. 不要堵塞进气孔或通气孔。

## 请保留此说明书。

## 电池套管重要安全注意事项

ENC007-13

1. 使用电池套管前，请阅读 (1) 电池充电器、(2) 电池和 (3) 使用电池之产品上的所有指导说明和警戒标记。
2. 请勿拆开电池套管。
3. 如果操作时间变得过短，立即停止操作。其可能导致过热、造成灼伤，甚至爆炸的危险。
4. 如果电解液进入您的双眼，用清水冲洗，并立即就医。其可能导致您的视力下降。
5. 请勿短接电池套管：
  - (1) 请勿使用任何导电材料接触端子。
  - (2) 避免在装有其它金属物体的容器内存放电池套管，例如钉子、硬币等。
  - (3) 不要将电池套管暴露在水或雨中。电池短路可能导致过大的电流、过热，可能造成灼伤，甚至发生故障。
6. 请勿将工具和电池套管存放于温度可能达到或超过 50°C (122°F) 的位置。
7. 即使电池套管严重损坏或完全磨损，也不要烧弃之。电池套管在火中可能爆炸。
8. 请小心，不要掉落或撞击电池。
9. 不要使用损坏的电池。
10. 所含锂离子电池符合《危险品立法》的要求。

对于商业运输（如通过第三方、运输代理），必须遵守包装和标签的特殊要求。对于要发运的物品准备，必须咨询危险材料方面的专家。也请遵守可能更加详细的相关国家规定。

缠绕或屏蔽开口触点，并包装好电池，让其不能在包装盒内移动。
11. 处置电池套管时，请将其从工具上拆下并在安全的地方进行处置。请遵守当地关于电池处置的规定。

12. 电池仅与牧田指定的产品配合使用。将电池安装到不兼容的产品上可能引起火灾、过热、爆炸或电解液泄漏。
13. 如果长时间不使用工具，则必须将电池从工具上拆下。

## 请保留此说明书。

△ 注意：仅使用牧田正品电池。

使用非牧田正品电池或改装后的电池，可导致电池爆炸，引起火灾，造成人员受伤和物品损坏。这还会丧失牧田对牧田工具和充电器的保修。

### 保持电池最大寿命的提示

1. 在电池套管完全放电前，进行充电。

在您注意到工具功率下降时，务必停止操作工具，并给电池套管充电。
2. 切勿重新给完全充电的电池套管再次充电。

过度充电会缩短电池使用寿命。
3. 在 10°C - 40°C (50°F - 104°F) 的室温给电池套管充电。充电前，让灼热的电池套管冷却下来。
4. 如果长期不使用（超过六个月），请充电电池套管。

## 功能说明

△ 注意：

- 在工具上调整和检查功能前，务必关闭工具开关和电池套管。
- 在装入电池时，请注意不要将手指夹在吸尘器和电池之间，如图所示。手指卡住可能会受伤。（图 1）

### 安装或拆卸电池套管（图 2）

△ 注意：

- 安装或拆卸电池套管前，务必关闭工具的开关。
- 安装或拆卸电池套管时牢牢握住工具和电池套管。未能牢牢握住工具和电池套管可能导致它们从手中滑出，损坏工具和电池套管及造成人员受伤。

取出电池套管时，滑动电池套管前面的按钮，将其从工具中滑出。

安装电池套管时，将电池套管上的凸榫对准外壳上的沟槽，并将其滑入到位。一直插入，直到其锁定在位，这时候会听到微弱的“咔哒”声。如果能看到按钮上侧的红色指示灯，则表示没有完全锁紧。

**⚠ 注意：**

- 务必装好电池套管，直到不能看到红色指示灯。否则，其可能意外从工具中掉出，导致您或您周围的人员受到伤害。
- 请勿用力安装电池套管。如果电池套管没有轻松地滑入，表明其可能没有正确插入。

**电池保护系统（带星号标记的锂离子电池电子）（图 3）**

带星号标记的锂离子电池配有保护系统。该系统自动切断到工具的电源，延长电池寿命。如果工具和 / 或电池处于以下状况之一，工具将在运行期间自动停止：

• **过载：**

该工具的操作方式使其产生异常高的电流。

在这种情况下，松开工具上的扳机开关并停止导致工具过载的应用。然后再次拉起扳机开关以重新启动。

如果工具未启动，则电池过热。在这种情况下，在再次拉动扳机开关之前让电池冷却。

• **电池电压低：**

剩余电池容量太低，工具无法运行。在这种情况下，请取出电池并重新充电。

**开关操作（图 4）**

**⚠ 注意：**

- 将电池套管插入工具前，务必检查确定开关触发器正常开动，并在释放时，返回到“OFF”（关）位置。

启动工具时，只需要拉出开关扳机。释放开关扳机时，工具停止。

**开灯**

仅适用于型号 DCL 180F

**⚠ 注意：**









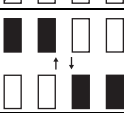
- 禁止直视灯光。直视灯光可能会伤害您的眼睛。（图 5）

拉起开关扳机以点亮灯泡。松开开关扳机以停止。

**指示剩余的电池电量**

仅用于带指示灯的电池套管（图 6）

按下电池套管上的检查按钮以指示剩余电池容量。指示灯亮起几秒钟。

指示灯			剩余电量
 亮起	 熄灭	 闪烁	
			75% 至 100%
			50% 至 75%
			25% 至 50%
			0% 至 25%
			电池充电。
			电池可能有故障。

**注：**

- 根据使用条件和环境温度，指示可能与实际电量稍有不同。

**组装**

**⚠ 注意：**

- 在工具上执行任何工作前，务必关闭工具开关并取下电池套管。

**过滤器类型**

普通过滤器（图 7）

高性能过滤器（图 8）

**灰尘处置**

**⚠ 注意：**

- 在吸尘器装得过满前清空，否则吸力会减弱。
- 务必清空吸尘器内的灰尘。否则可能导致过滤器堵塞或电机损坏。

## 处理普通过滤器的灰尘

为了抖落粘在密封囊过滤器上的灰尘，用手轻拍密封囊 4 或 5 次。

现在将吸入口指向下方，沿图中箭头方向转动密封囊，然后缓慢、平直地断开密封囊连接。（图 9）

**注：**

- 当密封囊打开时，灰尘可能会溢出，所以一定要在密封囊下面放一个垃圾袋。

（图 10）

清除密封囊内积聚的灰尘和预滤器上的灰尘。（图 11）

沿箭头方向扭转预滤器，从吸尘器设备上松开固定唇，然后拉出预滤器。（图 12）

清除预滤器中的细小灰尘。接下来，取下过滤器，然后轻轻点击以除去灰尘。

## 处理高性能过滤器的灰尘

为了抖落粘在密封囊过滤器上的灰尘，用手轻拍密封囊 4 或 5 次。

现在将吸入口指向下方，沿图中箭头方向转动密封囊，然后缓慢、平直地断开密封囊连接。（图 9）

**注：**

- 当密封囊打开时，灰尘可能会溢出，所以一定要在密封囊下面放一个垃圾袋。

清除密封囊内部和高性能过滤器上积聚的灰尘。（图 13）

沿箭头方向扭转高性能过滤器，从吸尘器设备上松开固定唇，然后拉出预滤器。

（图 14）

清除细小的灰尘，轻轻敲击以清除高性能过滤器中的灰尘。

## 重新组装（图 15）

### 正常过滤器的重新组装

装上过滤器，直到其在吸尘器设备上完全就位。

**注：**

- 确保过滤器笔直放置，不被剥离。如图所示，如果过滤器安装不正确，灰尘会进入电机外壳，导致电机故障。

（图 16）

连接预滤器。此时，请确保扭转预滤器，使固定唇口牢固锁定在吸尘器设备中。（图 17 和 18）

连接密封囊将密封囊上的 0 符号与手柄上的 0 符号对齐，然后沿箭头方向用力扭转密封囊，直至其固定。（图 19 和 20）

**注：**

- 务必提前清除灰尘，因为如果吸尘器中的灰尘太多，吸力会降低。
- 在使用吸尘器前，务必检查过滤器和预过滤器是否正确装入。如果未正确装入，灰尘会进入电机外壳，导致电机故障。如果出现以下示例，则未正确装入过滤器和预滤器。重新正确装入它们，纠正问题。

### 问题示例

例 1：仅装入了预滤器（无过滤器）（图 21）

例 2：仅装入了过滤器（无预滤器）（图 22）

例 3：过滤器已经以剥离状态装入（图 16）

例 4：预滤器的固定环没有牢固锁入吸尘器外壳的凹槽中（图 23）

## 重新组装高性能过滤器

连接高性能过滤器。此时，请务必扭转高性能过滤器，以便将紧固环牢牢锁定在吸尘器设备中。（图 24 和 25）

连接密封囊将密封囊上的 0 符号与手柄上的 0 符号对齐，然后沿箭头方向用力扭转密封囊，直至其固定。（图 26 和 20）

**注：**

- 务必提前清除灰尘，因为如果吸尘器中的灰尘太多，吸力会降低。
- 在使用吸尘器前，务必检查高性能过滤器是否正确装入。如果未正确装入，灰尘会进入电机外壳，导致电机故障。如果出现以下示例，则未正确装入高性能过滤器。重新正确装入它们，纠正问题。

### 问题示例

高性能过滤器的固定唇口未牢牢锁入吸尘器外壳的凹槽中。（图 27）

# 操作

## ⚠ 注意:

- 如要连接喷嘴等配件，沿箭头方向将配件扭转插入，确保在使用过程中连接牢固。如要断开连接，也可以按箭头方向扭转退出。如果配件在相反方向扭入，则在连接或断开连接时，密封囊可能会松动。(图 28)

## 清洁 (吸入)

### 喷嘴

安装喷嘴以清理台子、桌子、家具等。喷嘴很容易打开。(图 29)

### 喷嘴 + 延长杆 (直管)

延伸杆安装在喷嘴和吸尘器之间。这种布置便于在站立时清洁地板。(图 30)

### 圆角喷嘴

安装在圆角喷嘴上，用于清洁汽车或家具的角落和缝隙。(图 31)

### 圆角喷嘴 + 延长杆 (直管)

在拥挤的地方，吸尘器自身不能挤小，或在难以到达的高处，使用这种安排。(图 32)

## 无喷嘴清洁

你可以在没有喷嘴的情况下拾取粉末和灰尘。(图 33)

# 维护

## ⚠ 注意:

- 尝试进行检查或维护前，务必关闭工具电源。

# 清洁

## ⚠ 注意:

- 不得使用汽油、苯、稀释剂、酒精或其它类似产品。否则可能出现退色、变形或裂缝。
- 不要用空气除尘器将灰尘粘在吸尘器和过滤器上。它会将灰尘带入外壳并导致故障。
- 清洗过滤器后，在使用前彻底擦干。过滤器干燥不足可能会导致吸力差，并缩短电机的使用寿命。

- 清洁过滤器和海绵过滤器后，请务必在使用前重新安装。如果使用不带过滤器和海绵过滤器的吸尘器，灰尘会进入电机外壳并导致故障。

## 吸尘器机身

随时使用抹布蘸取肥皂水清洁吸尘器外部(吸尘器机身)。清洁吸入口和过滤器安装区域。(图 34)

## 过滤器

当被灰尘堵塞时，用肥皂水清洗过滤器，吸尘器性能会变弱。使用前彻底擦干。

(图 35)

## 海绵过滤器

当海绵过滤器变质时，按如下方式清洁它。

1. 拆下过滤器。
2. 从支柱之间拉出海绵过滤器。
3. 通过敲击或清洗来清洁海绵过滤器。如果清洗了它，请在使用前彻底擦干。
4. 从支柱之间放入海绵过滤器并将其设置在原始位置。确保支柱的每个底边都压住海绵过滤器，海绵过滤器和吸嘴之间没有间隙。(图 36)

## 充电式吸尘器墙壁安装

### 选配附件

#### 注:

- 不包括安装固定器的螺钉。准备一个与材料配合的螺钉拧入。将充电式吸尘器的壁挂支架安装在坚硬的木质墙壁、横梁或立柱上，可以牢牢固定住充电式吸尘器的壁挂支架。在悬挂吸尘器前，务必确保充电式吸尘器的壁挂支架安装牢固。(图 37)

#### ⚠ 注意:

- 请勿将吸尘器牢牢挂在墙壁安装架上或挂在除吸尘器之外的其他设备。

## 要求维修之前要检查的事情

症状	要调查的区域	修复方法
吸力弱	<ul style="list-style-type: none"><li>• 密封囊是否满是灰尘?</li><li>• 过滤器堵塞了吗?</li><li>• 电池耗尽了吗?</li></ul>	<ul style="list-style-type: none"><li>• 清空密封囊灰尘。</li><li>• 除尘或清洗过滤器。</li><li>• 给电池充电。</li></ul>
不工作	<ul style="list-style-type: none"><li>• 电池耗尽了吗?</li></ul>	<ul style="list-style-type: none"><li>• 给电池充电。</li></ul>

010051

### 注:

- 不要尝试自行修复吸尘器。

为了保持产品的安全和可靠性, 维修或其它任何维护和调整工作应当由牧田授权维修中心进行, 且务必使用牧田的替换零件。

## 选配附件

### △注意:

- 这些配件或附件建议用于本手册指定的牧田工具。使用任何其它配件或附件可能造成人身伤害的危险。仅将配件或附件用于规定用途。

如果您需要任何帮助以获得有关这些配件的更多详细信息, 请咨询当地的牧田服务中心。

- 延长杆 (直管)
- 喷嘴
- 地毯喷嘴
- 架刷
- 圆角喷嘴
- 圆刷
- 挠性软管
- 过滤器
- 预滤器
- 高性能过滤器
- 充电式吸尘器墙壁安装
- 气旋组件
- 牧田正品电池或充电器

### 注:

- 列表中的某些物品可能已经作为标准附件包括在了工具包装中。它们可能在不同国家各异。

## 气旋组件 (图 38)

### 关于气旋组件

使用安装有气旋组件的吸尘器可减少进入尘仓内的灰尘量, 由此可避免吸尘器吸力的下

降。此外, 气旋组件使用后, 也十分易于清洁。

### △注意:

- 对工具进行任何装配操作前, 请务必关闭工具电源并取出电池组。若电池组保留在工具内, 吸尘器可能会意外启动, 从而造成人员伤害。
- 当吸尘机的气旋组件滤网和过滤器阻塞时, 应对其进行清洁。若任由其阻塞并继续使用可能会导致吸尘器过热或冒烟。

### 注意:

- 吸尘器安装气旋组件后, 请勿沿水平方向或将其朝向上方使用。否则可能导致滤网阻塞。
- 即便使用气旋组件, 也必须始终对吸尘器安装过滤器。使用未安装过滤器的吸尘器可能导致电机故障。

### 注:

- 使用前请检查气旋组件、吸尘机和直管是否正确锁定。
- 当气旋组件的集尘盒和吸尘机的尘仓有灰尘积聚时, 请将其清空。继续使用将导致吸力下降。

## 灰尘处理

当灰尘积聚量达到集尘盒的满载标线时, 请按照以下步骤处理灰尘。

1. 将集尘盒抓紧, 然后按住两个按钮将集尘盒拆除。(图 39)
2. 处理集尘盒内的灰尘, 然后清除粘附在滤网表面的灰尘和粉末。
3. 将集尘盒径直插入底部直至听到咔哒声确认两个按钮锁定为止。(图 40)

### 注:

- 重新开始操作前, 请检查气旋组件、吸尘机和直管是否已全部连接牢固。

- 在处理灰尘并清洁滤网之后，若吸力仍未恢复，请检查吸尘器尘仓是否有灰尘积聚或者是否阻塞。

## 清洁

若集尘盒脏污或者滤网阻塞，请清除阻塞物并用水清洗。（请参见“灰尘处理”章节了解清除步骤。）

重新安装和使用部件之前，请将部件彻底干燥。（图 41）

若滤网污染严重，请按以下步骤清洁滤网。

1. 沿逆时针旋转滤网，卡钩解锁时拆卸滤网。（图 42）
2. 清除滤网上的灰尘，然后用水清洗滤网。随后将其彻底干燥。
3. 将卡钩与端口对齐，与此同时将滤网插入基座内。顺时针旋转滤网直至听到咔哒声确认卡钩锁定为止。确保滤网安装牢固。（图 43）

## BAHASA INDONESIA (Petunjuk asli)

**PERINGATAN:** Perangkat ini dapat digunakan oleh anak-anak berusia 8 tahun ke atas dan orang dengan kemampuan fisik, indera, atau mental kurang, atau yang kurang pengalaman dan pengetahuan jika mereka mendapat pengawasan atau telah diberi pelatihan mengenai penggunaan perangkat ini secara aman dan memahami bahaya-bahaya yang terkait dengannya. Anak-anak hendaknya tidak bermain-main dengan perangkat ini. Pembersihan dan perawatan oleh pengguna tidak boleh dilakukan oleh anak-anak tanpa pengawasan.

### Penjelasan tampilan keseluruhan

- |                                |                              |   |
|--------------------------------|------------------------------|---|
| 1. Indikator merah             | 13. Lubang masuk penghisapan | 24. Gantungan dinding untuk pembersih tanpa kabel |
| 2. Tombol                      | 14. Bibir pengencang         |   |
| 3. Kartrid baterai             | 15. Tanda O                  | 25. Pipa lurus                                    |
| 4. Tanda gambar bintang        | 16. Gagang                   | 26. Perangkat tambahan siklon                     |
| 5. Picu sakelar                | 17. Alur rumah pembersih     | 27. Garis batas                                   |
| 6. Lampu                       | 18. Nozel                    | 28. Wadah debu                                    |
| 7. Lampu indikator             | 19. Bodi pembersih           | 29. Tombol (dua lokasi)                           |
| 8. Tombol cek                  | 20. Pipa perpanjangan        | 30. Saringan jala                                 |
| 9. Kapsul                      | 21. Nozel sudut              | 31. Kait  |
| 10. Prafilter                  | 22. Saringan spons           | 32. Port  |
| 11. Filter                     | 23. Ujung bawah pilar        |   |
| 12. Saringan berkinerja tinggi |                              |   |

## SPESIFIKASI

Model	DCL140	DCL180	DCL180F
Kapasitas	650 mL		
Penggunaan terus-menerus	Sekitar 20 menit		
Panjang keseluruhan	981 mm	999 mm	
Berat bersih	1,2 - 1,4 kg	1,2 - 1,5 kg	1,3 - 1,6 kg
Tegangan yang sesuai	D.C. 14,4 V	D.C. 18 V	

- Karena kesinambungan program penelitian dan pengembangan kami, spesifikasi yang disebutkan di sini dapat berubah tanpa pemberitahuan.
- Spesifikasi dapat berbeda dari satu negara ke negara lainnya.
- Berat tidak termasuk aksesoris selain kartrid baterai. Berat gabungan yang paling ringan dan paling berat dari perangkat dan kartrid baterai diperlihatkan di dalam tabel.

## Kartrid baterai dan pengisi baterai yang sesuai

Kartrid baterai	Model D.C. 14,4 V	BL1415N/BL1430/BL1430B/BL1440/BL1450/BL1460B
	Model D.C. 18 V	BL1815N/BL1820/BL1820B/BL1830/BL1830B/BL1840/BL1840B/BL1850/BL1850B/BL1860B
Pengisi baterai	DC18RC/DC18RD/DC18RE/DC18SD/DC18SE/DC18SF/DC18SH	

- Beberapa kartrid baterai dan pengisi baterai yang disebutkan di atas mungkin tidak tersedia tergantung pada kawasan tempat tinggal Anda.

### **⚠ PERINGATAN:**

- **Hanya gunakan kartrid baterai dan pengisi baterai yang disebutkan di atas.** Penggunaan kartrid baterai dan pengisi baterai yang lain dapat menyebabkan cedera/atau kebakaran.

## Simbol-simbol

END315-1

Berikut ini adalah simbol-simbol yang mungkin digunakan pada alat ini. Pastikan Anda mengerti makna masing-masing simbol sebelum menggunakan alat ini.



..... Baca petunjuk penggunaan.

## Maksud penggunaan

ENE017-1

Alat ini dimaksudkan untuk mengumpulkan debu kering.

## Peringatan keselamatan pembersih tanpa kabel

ENA007-2

**⚠ PERINGATAN: PENTING BACALAH semua peringatan keselamatan dan semua petunjuk SEBELUM MENGGUNAKAN DENGAN SAKSAMA.**

Kelalaian mematuhi peringatan dan petunjuk dapat menyebabkan sengatan listrik, kebakaran, dan/atau cedera serius.

1. Jangan biarkan terkena hujan. Simpanlah di dalam ruangan.
2. Jangan biarkan alat digunakan sebagai mainan. Beri perhatian penuh bila alat ini digunakan oleh atau di dekat anak-anak.
3. Gunakan hanya sebagaimana diuraikan dalam buku petunjuk ini. Gunakan hanya alat tambahan yang disarankan oleh pabrik pembuat.
4. Jangan gunakan alat dengan baterai yang rusak. Jika perkakas tidak bekerja sebagaimana seharusnya, pernah jatuh, rusak, dibiarkan di luar ruangan, atau jatuh ke dalam air, kembalikanlah ke pusat servis.
5. Jangan tangani perkakas dengan tangan basah.
6. Jangan memasukkan benda apa pun ke lubang-lubang perkakas. Jangan gunakan bila ada lubang alat yang tersumbat/tertutup; jaga alat bebas dari debu, serat, rambut, dan apa pun yang dapat menghambat aliran udara.
7. Jauhkan rambut, pakaian kedodoran, jari, dan semua anggota badan dari lubang dan bagian alat yang bergerak.
8. Matikan semua alat pengendali sebelum melepaskan baterai.
9. Ekstra hati-hatilah saat membersihkan undak-undakan tangga.
10. Jangan gunakan alat untuk menyedot cairan mudah menyala atau mudah terbakar, seperti bensin, atau menggunakannya di tempat di mana bahan demikian ada.
11. Gunakan hanya pengisi baterai (charger) yang dipasok oleh pabrik pembuat untuk mengisi ulang baterai.
12. Jangan menyedot benda apa pun yang terbakar atau berasap, seperti rokok, korek, atau abu panas.
13. Jangan menggunakan tanpa kantong debu dan/atau saringan pada tempatnya.
14. Jangan mengisi baterainya di luar ruangan.
15. Isi ulang baterai hanya dengan pengisi baterai (charger) yang ditentukan oleh pabrik pembuat alat. Pengisi baterai yang cocok untuk suatu jenis baterai dapat menimbulkan risiko kebakaran bila digunakan dengan baterai lain.

16. Gunakan alat listrik hanya dengan baterai yang khusus ditentukan untuknya. Penggunaan baterai yang lain dapat menimbulkan risiko cedera dan kebakaran.
17. Bila baterai tidak sedang digunakan, jauhkanlah dari benda logam lain, seperti klip kertas, koin, kunci, paku, sekrup, atau benda logam kecil lainnya, yang dapat menjadi penghubung antara terminal-terminalnya.
18. Bila disalahgunakan, baterai dapat mengeluarkan cairan; hindari terkena cairan ini. Jika terkena cairan ini secara tidak sengaja, bilaslah dengan air.
19. Jangan menggunakan baterai atau alat yang rusak atau sudah dimodifikasi. Baterai yang rusak atau sudah dimodifikasi dapat menunjukkan perilaku tidak terduga yang mengakibatkan kebakaran, ledakan, atau risiko cedera.
20. Jangan memaparkan baterai atau alat pada api atau suhu yang berlebihan. Keterpaparan pada api atau suhu di atas 130°C dapat menyebabkan ledakan.
21. Ikuti semua petunjuk pengisian baterai dan jangan mengisi baterai atau alat di luar kisaran suhu yang disebutkan dalam petunjuk. Mengisikan daya dengan tidak benar atau pada suhu di luar kisaran yang ditentukan dapat merusak baterai dan meningkatkan risiko kebakaran.

## SIMPAN PETUNJUK INI.

## KAIDAH KESELAMATAN TAMBAHAN

ENB127-1

Perkakas ini dimaksudkan untuk penggunaan dalam rumah tangga.

1. Bacalah petunjuk penggunaan ini dan petunjuk penggunaan pengisi baterai dengan teliti sebelum menggunakan.
2. Jangan menyedot bahan-bahan berikut:
  - Bahan panas seperti rokok yang menyala atau sisa-sisa bunga api/logam yang berasal dari pekerjaan penggerindaan/pemotongan logam
  - Bahan mudah menyala seperti bensin, tiner, minyak tanah, atau cat
  - Bahan mudah meledak seperti nitrogliserin
  - Bahan mudah tersulut seperti Aluminium, seng, magnesium, titanium, fosfor, atau seluloid
  - Kotoran basah, air, minyak, atau bahan serupa
  - Potongan benda keras dengan tepian tajam, seperti tatal kayu, logam, batu, kaca, kuku, pin, atau pisau cukur
  - Bubuk yang bisa menyumbat seperti semen atau zat warna (toner)
  - Debu konduktif seperti logam atau karbon
  - Partikel halus seperti debu betonTindakan demikian dapat menyebabkan kebakaran, cedera, dan/atau kerusakan harta benda.
3. Hentikan penggunaan segera jika Anda melihat sesuatu yang tidak normal.
4. Jika pembersih ini sampai terjatuh atau terpukul, periksalah dengan teliti dari keretakan atau kerusakan sebelum menggunakannya.



- Jangan membawanya ke dekat kompor atau sumber panas lainnya.
- Jangan memblokir/menutupi lubang masuk atau lubang keluar udara.

## SIMPAN PETUNJUK INI.

### PETUNJUK KESELAMATAN PENTING UNTUK KARTRID BATERAI

ENC007-13

- Sebelum menggunakan kartrid baterai, bacalah semua petunjuk dan tanda peringatan pada (1) pengisi baterai, (2) baterai, dan (3) produk yang menggunakan baterai.
- Jangan membongkar kartrid baterai.
- Jika waktu pengoperasian telah menjadi terlalu singkat, segera hentikan pengoperasian. Keadaan tersebut dapat mengakibatkan risiko timbulnya panas berlebihan, kemungkinan luka bakar, dan bahkan ledakan.
- Jika ada elektrolit yang masuk ke mata, bilaslah bersih-bersih dengan air bersih dan segera cari bantuan medis. Hal itu dapat mengakibatkan hilangnya penglihatan.
- Jangan menghubungsingkatkan kartrid baterai:
  - Jangan menyentuh terminal-terminalnya dengan bahan konduktif.
  - Hindari menyimpan kartrid baterai dalam wadah bersama dengan benda logam lainnya seperti paku, koin, dll.
  - Jangan biarkan kartrid baterai terkena air atau hujan.

Hubungan singkat baterai dapat menyebabkan aliran arus yang besar, panas berlebihan, kemungkinan luka bakar, dan bahkan kerusakan permanen.

- Jangan menyimpan alat ini dan kartrid baterai di tempat yang suhunya dapat mencapai atau melebihi 50°C (122°F).
- Jangan membakar kartrid baterai bahkan meskipun kartrid sudah rusak parah atau benar-benar rusak. Kartrid baterai dapat meledak di dalam api.
- Berhati-hatilah agar baterai tidak sampai terjatuh atau terpukul.
- Jangan menggunakan baterai yang rusak.
- Baterai litium-ion yang disertakan sesuai dengan persyaratan Perundangan Makanan Berbahaya. Harus ada pengawasan untuk pengangkutan komersial misalnya oleh pihak ketiga, ekspeditor, persyaratan khusus terhadap pengemasan dan pelabelan.  
Diperlukan adanya konsultasi dengan ahli mengenai material berbahaya untuk persiapan barang yang akan dikirimkan. Perhatikan pula peraturan nasional yang lebih terperinci yang mungkin ada. Beri perekat atau tutupi bagian yang terbuka dan kemasan baterai dengan cara yang tidak akan menimbulkan pergeseran dalam pengemasan.
- Ketika membuang kartrid baterai, lepaskan dari mesin dan buang ke tempat yang aman. Ikutilah peraturan setempat terkait pembuangan baterai.

- Gunakan baterai hanya dengan produk yang ditentukan oleh Makita. Memasang baterai pada produk yang tidak sesuai dapat mengakibatkan kebakaran, panas berlebihan, ledakan, atau kebocoran elektrolit.
- Jika mesin tidak digunakan dalam jangka waktu yang lama, baterai harus dilepas dari mesin.

## SIMPAN PETUNJUK INI.

**⚠ PERHATIAN:** Gunakan baterai asli Makita. Penggunaan baterai Makita yang tidak asli, atau baterai yang sudah diubah, akan mengakibatkan baterai mudah terbakar, cedera dan kerusakan. Akan menghilangkan garansi Makita pada pengisi daya dan alat Makita.

### Kiat untuk mempertahankan usia pakai baterai maksimum

- Isilah kembali kartrid baterai sebelum baterai sepenuhnya habis. Selalu hentikan pengoperasian alat dan isi kartrid baterai saat Anda merasakan bahwa tenaga alat telah berkurang.
- Jangan sekali-kali mengisi ulang kartrid baterai yang telah terisi penuh. Mengisi baterai terlalu banyak akan memperpendek usia pakai baterai.
- Isilah kartrid baterai dalam ruangan bersuhu antara 10°C - 40°C (50°F - 104°F). Biarkan kartrid baterai yang panas mendingin lebih dahulu sebelum mengisinya.
- Ganti kartrid baterai jika Anda akan tidak menggunakannya untuk waktu yang lama (lebih dari enam bulan).

## DESKRIPSI FUNGSI

- ⚠ PERHATIAN:**
- Selalu pastikan bahwa alat dalam keadaan mati dan kartrid baterainya telah dilepas sebelum menyetel atau memeriksa fungsi alat.
  - Berhati-hatilah agar jari Anda tidak terjebak di antara pembersih dan baterai seperti diperlihatkan dalam diagram saat memasang baterai. Jika terjebak, jari Anda dapat cedera. (Gb. 1)

### Memasang atau melepas kartrid baterai (Gb. 2)

- ⚠ PERHATIAN:**
- Selalu matikan alat sebelum memasang atau melepas kartrid baterainya.
  - Pegang alat dan kartrid baterai kuat-kuat saat memasang atau melepaskan kartrid baterai. Bila tidak dipegang dengan kuat, alat dan kartrid baterai dapat terlepas dari tangan Anda dan menyebabkan kerusakan pada alat dan kartrid baterai serta cedera.

Untuk mengeluarkan kartrid baterai, geser kartrid dari mesin sambil menggeser tombol pada bagian depan kartrid.

Untuk memasang kartrid baterai, luruskan lidah pada kartrid baterai dengan alur pada rumah alat dan dorong masuk kartrid ke tempatnya. Masukkan kartrid sepenuhnya sampai terkunci di tempatnya yang ditandai

dengan suara klik pelan. Jika Anda dapat melihat indikator merah di sisi atas tombol, berarti baterai belum terkunci sepenuhnya.

**⚠ PERHATIAN:**

- Selalu pasang kartrid baterai sepenuhnya sampai indikator merah tidak terlihat. Jika tidak, komponen ini dapat terlepas dan jatuh dari alat, sehingga menyebabkan cedera pada Anda atau orang lain di sekitar Anda.
- Jangan memasang kartrid baterai secara paksa. Jika kartrid tidak dapat meluncur masuk dengan mudah, berarti posisi memasukkannya belum tepat.

**Sistem perlindungan baterai (Baterai litium-ion dengan tanda gambar bintang) (Gb. 3)**

Baterai litium-ion dengan tanda gambar bintang dilengkapi dengan sistem perlindungan. Sistem ini secara otomatis memutus aliran daya ke alat untuk memperpanjang usia pakai baterai.

Alat akan secara otomatis berhenti beroperasi jika alat dan/atau baterainya berada dalam salah satu keadaan berikut ini:

- Kelebihan beban:  
Alat dioperasikan dengan cara yang membuatnya menyedot arus yang luar biasa besar. Dalam keadaan ini, lepaskan saklar picu alat dan hentikan pemakaian yang menyebabkan alat kelebihan beban. Kemudian tarik saklar picu lagi untuk menyalakan alat kembali. Jika alat tidak berjalan, berarti baterainya mengalami panas berlebihan. Dalam keadaan ini, biarkan baterai menjadi dingin lebih dulu sebelum menarik saklar picu kembali.
- Tegangan baterai rendah:  
Kapasitas baterai yang tersisa terlalu sedikit dan alat tidak mau beroperasi. Dalam keadaan ini, lepaskan dan isi kembali (cas) baterai.

**Kerja sakelar (Gb. 4)**

**⚠ PERHATIAN:**

- Sebelum memasukkan kartrid baterai ke dalam alat, selalu pastikan bahwa picu sakelar bekerja dengan baik dan kembali ke posisi "OFF" (MATI) saat dilepaskan.

Untuk menyalakan alat, cukup tarik picu sakelarnya. Lepaskan picu sakelar untuk menghentikannya.

**Menyalakan lampu**

**Untuk Model DCL180F**

**⚠ PERHATIAN:**

- Jangan sekali-kali menatap ke arah datangnya sinar secara langsung. Sorotan langsung sinar akan merusak mata Anda. **(Gb. 5)**
- Tarik picu sakelar untuk menyalakan lampu. Lepaskan picu sakelar untuk mematikannya.

**Menunjukkan kapasitas baterai yang tersisa**

**Hanya untuk kartrid baterai dengan indikator (Gb. 6)**

Tekan tombol cek pada kartrid baterai untuk menunjukkan kapasitas baterai yang tersisa. Lampu indikator menyala selama beberapa detik.

Lampu indikator			Kapasitas tersisa
Menyala	Mati	Berkedip	
■	□	▧	75% sampai 100%
■	■	■	50% sampai 75%
■	■	□	25% sampai 50%
■	□	□	0% sampai 25%
▧	□	□	Isilah baterai.
■	■	□	Baterai mungkin telah rusak/ malfungsi.
□	□	■	

**CATATAN:**

- Tergantung pada kondisi penggunaan dan suhu udara sekitar, tampilan indikasi dapat sedikit berbeda dengan kapasitas sesungguhnya.

**PERAKITAN**

**⚠ PERHATIAN:**

- Selalu pastikan bahwa alat telah dimatikan dan kartrid baterainya dilepas sebelum melakukan pekerjaan apa pun pada alat.

**Tipe saringan**

**Saringan normal (Gb. 7)**

**Saringan berkinerja tinggi (Gb. 8)**

**Membuang debu**

**⚠ PERHATIAN:**

- Kosongkan pembersih sebelum menjadi terlalu penuh, atau daya sedot akan melemah.
- Pastikan untuk mengosongkan debu di dalam pembersih itu sendiri. Jika tidak, filter dapat tersumbat atau motornya rusak.

**Membuang debu untuk tipe saringan normal**

Untuk melepaskan debu yang menempel pada filter di dalam kapsul, ketuk-ketuk kapsul 4 atau 5 kali dengan tangan Anda.

Sekarang arahkan lubang masuk penghisapan ke bawah, putar kapsul sesuai arah tanda panah pada diagram, dan lepaskan kapsul secara perlahan-lahan dan lurus. **(Gb. 9)**

#### **CATATAN:**

- Debu dapat tumpah keluar saat kapsul dibuka, jadi pastikan untuk menyiapkan kantong sampah di bawah kapsul. **(Gb. 10)**

Bersihkan debu yang terakumulasi dari dalam kapsul dan dari prafilter. **(Gb. 11)**

Puntir prafilter sesuai arah tanda panah untuk mengendurkan bibir pengencang dari unit pembersih dan kemudian tarik lepas prafilter. **(Gb. 12)**

Bersihkan debu halus dari prafilter. Berikutnya, lepaskan filter, dan ketuk-ketuk pelan untuk melepaskan debu.

## **Membuang debu untuk tipe saringan berkinerja tinggi**

Untuk menjatuhkan debu yang menempel pada saringan di dalam kapsul, ketuk kapsul sebanyak 4 atau 5 kali menggunakan tangan Anda.

Sekarang, arahkan tempat masuk pengisap ke bawah, putar kapsul searah dengan panah dalam diagram, dan lepaskan kapsul perlahan dan dengan posisi tegak lurus. **(Gb. 9)**

#### **CATATAN:**

- Debu dapat tumpah saat kapsul dibuka, jadi pastikan untuk menaruh kantong sampah di bawah kapsul. Lepas debu yang dikumpulkan dari dalam kapsul dan lepaskan dari saringan berkinerja tinggi. **(Gb. 13)**
- Putar saringan berkinerja tinggi searah dengan panah untuk membuka tepi pengencang dari unit pembersih dan kemudian tarik saringan. **(Gb. 14)**
- Bersihkan debu halus dan ketuk perlahan untuk mengeluarkan debu dari saringan berkinerja tinggi.

## **Perakitan kembali (Gb. 15)**

## **Memasang kembali untuk tipe saringan normal**

Pasang filter sampai masuk sepenuhnya di posisinya pada unit pembersih.

#### **CATATAN:**

- Pastikan filter terpasang lurus tanpa tergulung ke belakang. Jika filter dipasang dengan tidak benar seperti diperlihatkan dalam diagram, debu akan masuk ke dalam rumah motor, dan menyebabkan kegagalan motor. **(Gb. 16)**

Pasang prafilter. Pada saat ini, pastikan untuk memuntir prafilter sehingga bibir pengencang terkunci kuat pada unit pembersih. **(Gb. 17 & 18)**

Pasang kapsul. Luruskan simbol O pada kapsul dengan simbol O pada gagang dan kemudian puntir kapsul dengan kuat sesuai arah tanda panah sampai kencang. **(Gb. 19 & 20)**

#### **CATATAN:**

- Selalu bersihkan debu lebih dahulu, karena tenaga sedotan akan berkurang jika ada terlalu banyak debu di dalam pembersih.
- Selalu pastikan untuk memeriksa bahwa filter dan juga prafilter telah dipasang dengan benar sebelum menggunakan pembersih. Jika keduanya tidak dipasang dengan benar, debu akan masuk ke dalam rumah motor, dan menyebabkan kegagalan motor. Jika contoh-contoh berikut ini terjadi, berarti filter dan

prafilter tidak terpasang dengan benar. Perbaiki pemasangan keduanya untuk mengatasi masalah.

#### **Contoh Masalah**

Contoh 1: Yang terpasang hanya prafilter (tanpa filter) **(Gb. 21)**

Contoh 2: Yang terpasang hanya filter (tanpa prafilter) **(Gb. 22)**

Contoh 3: Filter terpasang dalam keadaan tergulung ke belakang **(Gb. 16)**

Contoh 4: Bibir pengencang prafilter tidak terkunci kuat di dalam alur rumah pembersih **(Gb. 23)**

## **Memasang kembali untuk tipe saringan berkinerja tinggi**

Sambungkan saringan berkinerja tinggi. Saat ini, pastikan untuk memutar saringan berkinerja tinggi, sehingga tepi pengencang terkunci secara kuat ke dalam unit pembersih. **(Gb. 24 & 25)**

Sambungkan kapsul. Sejajarkan simbol O pada kapsul dengan simbol O pada pegangan dan kemudian putar dengan kuat kapsul searah dengan arah panah hingga kencang. **(Gb. 26 & 20)**

#### **CATATAN:**

- Selalu buang debu sebelum penuh karena daya isap akan berkurang jika terlalu banyak terdapat debu di pembersih.
- Selalu pastikan untuk memeriksa jika saringan berkinerja tinggi telah terpasang dengan benar sebelum menggunakan pembersih. Jika saringan tidak dipasang dengan benar, debu akan masuk ke dalam rumah motor, dan akan menyebabkan motor tidak dapat berfungsi. Jika contoh-contoh berikut terjadi, ini berarti saringan berkinerja tinggi tidak dipasang dengan benar. Pasang ulang kembali untuk memperbaiki masalah.

## **Contoh Masalah**

Tepi pengencang pada saringan berkinerja tinggi tidak terkunci dengan kuat pada alur rumah pembersih. **(Gb. 27)**

## **PENGUNAAN**

### **⚠ PERHATIAN:**

- Untuk menghubungkan alat tambahan, seperti nozel, masukkan alat tambahan sambil dipuntir sesuai arah tanda panah guna memastikan sambungan senantiasa kencang selama penggunaan. Untuk melepaskan, tarik lepas alat tambahan sambil dipuntir, juga sesuai arah tanda panah. Jika alat tambahan dipuntir ke arah yang berlawanan, saat dihubungkan atau dilepas, kapsul dapat menjadi kendur. **(Gb. 28)**

## **Pembersihan (Penyedotan)**

### **Nozel**

Pasang nozel untuk membersihkan meja, bangku, perabotan, dll. Nozel terpasang dengan mudah. **(Gb. 29)**

### **Nozel + Pipa perpanjangan (Pipa lurus)**

Pipa perpanjangan terpasang di antara nozel dan pembersih itu sendiri. Pengaturan ini sangat

memudahkan pembersihan lantai sambil berdiri tegak. (Gb. 30)

#### Nozel sudut

Pasang nozel sudut untuk membersihkan sudut-sudut dan cerukan pada mobil atau perabotan. (Gb. 31)

#### Nozel sudut + Pipa perpanjangan (Pipa lurus)

Pada sudut-sudut sempit di mana alat pembersih itu sendiri tidak dapat masuk, atau di tempat tinggi yang sulit dijangkau, gunakan pengaturan ini. (Gb. 32)

### Membersihkan tanpa nozel

Anda dapat menyedot bubuk dan debu tanpa nozel. (Gb. 33)

## PERAWATAN

### ⚠ PERHATIAN:

- Selalu pastikan alat sudah dimatikan sebelum mencoba melakukan pemeriksaan atau perawatan.

## Pembersihan

### ⚠ PEMBERITAHUAN:

- **Jangan sekali-kali menggunakan bensin, tiner, alkohol, atau bahan sejenisnya. Penggunaan bahan demikian dapat menyebabkan perubahan warna dan bentuk serta timbulnya retakan.**
- **Jangan meniup debu yang menempel pada penghisap debu dan saringan dengan mesin peniup.** Tindakan ini akan mengakibatkan debu terbawa masuk ke dalam rumahan dan menyebabkan kerusakan.
- **Setelah mencuci saringan, keringkan secara menyeluruh sebelum digunakan.** Saringan yang tidak cukup kering dapat menyebabkan pengisapan menjadi buruk dan memperpendek usia pakai motor.
- **Setelah membersihkan saringan dan saringan spons, pastikan untuk memasangnya kembali sebelum digunakan.** Jika Anda menggunakan pembersih tanpa saringan dan saringan spons, debu akan masuk ke dalam rumahan motor dan menyebabkan malafungsi.

## Hal-hal yang Perlu Diperiksa Sebelum Meminta Perbaikan

Gejala	Bagian yang perlu diperiksa	Cara memperbaiki
Tenaga sedotan lemah	<ul style="list-style-type: none"><li>• Apakah kapsul penuh dengan debu?</li><li>• Apakah filter tersumbat?</li><li>• Apakah baterainya habis?</li></ul>	<ul style="list-style-type: none"><li>• Kosongkan debu dari kapsul.</li><li>• Bersihkan debunya atau cuci filter.</li><li>• Isi kembali baterai.</li></ul>
Tidak bekerja	<ul style="list-style-type: none"><li>• Apakah baterainya habis?</li></ul>	<ul style="list-style-type: none"><li>• Isi kembali baterai.</li></ul>

010051

### CATATAN:

- Jangan mencoba memperbaiki sendiri alat pembersih ini.

Untuk menjaga KEAMANAN dan KEHANDALAN, perbaikan, perawatan lain, atau penyetulan harus dilakukan oleh Pusat Servis Resmi Makita dan gunakan selalu suku cadang Makita.

## Badan pembersih

Bersihkan bagian luar (badan pembersih) mesin dari waktu ke waktu dengan menggunakan kain yang dicelup air sabun. Bersihkan juga bukaan pengisap dan area pemasangan saringan. (Gb. 34)

## Saringan

Cuci saringan dengan air sabun saat tersumbat oleh debu dan daya pembersih melemah. Keringkan secara menyeluruh sebelum digunakan. (Gb. 35)

## Saringan spons

Jika saringan spons menjadi kotor, bersihkan seperti berikut.

1. Lepaskan saringan.
2. Tarik saringan spons dari antara pilar.
3. Bersihkan saringan spons dengan ditepuk-tepuk atau dicuci. Jika Anda mencucinya, keringkan secara menyeluruh sebelum digunakan.
4. Masukkan saringan spons dari antara pilar dan atur pada posisinya semula. Pastikan jika masing-masing ujung bawah pilar menahan filter spons, dan tidak ada celah antara saringan spons dan bukaan pengisap. (Gb. 36)

## Gantungan dinding untuk pembersih tanpa kabel

### Pilihan Aksesori

#### CATATAN:

- Sekrup untuk memasang penahan tidak disertakan. Siapkan sekrup yang cocok dengan bahan dinding. Sambung gantungan dinding untuk pembersih tanpa kabel ke dinding, tiang, atau pilar kayu keras, di mana gantungan dinding untuk pembersih tanpa kabel dapat dipasang dengan kuat. Selalu pastikan bahwa gantungan dinding untuk pembersih tanpa kabel terpasang dengan kuat sebelum menggantung pembersih. (Gb. 37)

### ⚠ PERHATIAN:

- **Jangan gantung pembersih pada gantungan dinding dengan paksa atau menggantung peralatan lain selain pembersih.**

## AKSESORI TAMBAHAN

### ⚠ PERHATIAN:

- Aksesori atau alat tambahan ini dianjurkan untuk digunakan dengan alat Makita milik Anda yang disebutkan dalam buku petunjuk ini. Penggunaan aksesori atau alat tambahan lain dapat menimbulkan risiko cedera pada orang. Gunakan aksesori atau alat tambahan sesuai kegunaannya.

Jika Anda membutuhkan bantuan perihal informasi lebih terperinci mengenai aksesori-aksesori ini, tanyakan kepada Pusat Servis Makita setempat.

- Pipa perpanjangan (Pipa lurus)
- Nozel
- Nozel untuk karpet
- Sikat rak
- Nozel sudut
- Sikat bulat
- Slang fleksibel
- Filter
- Prafilter
- Saringan berkinerja tinggi
- Gantungan dinding untuk pembersih tanpa kabel
- Perangkat tambahan siklon
- Baterai dan pengisi baterai asli Makita

#### **CATATAN:**

- Beberapa artikel dalam daftar dapat disertakan dalam kemasan mesin sebagai aksesori standar. Kelengkapan ini dapat berbeda dari satu negara ke negara lainnya.

## **Perangkat tambahan siklon (Gb. 38)**

### **Tentang perangkat tambahan siklon**

Menggunakan pembersih dengan perangkat tambahan siklon yang terpasang dapat mengurangi jumlah debu yang masuk ke kapsul, sehingga membantu mencegah melemahnya daya pengisapan. Selain itu, langkah pembersihan setelah penggunaan juga sederhana.

#### **⚠ PERHATIAN:**

- Selalu pastikan bahwa mesin dimatikan dan kartrid baterai dilepas sebelum melakukan pekerjaan apa pun pada mesin. Jika kartrid baterai dibiarkan terpasang, pembersih dapat menyala secara tak terduga dan mengakibatkan cedera.
- Bersihkan saringan jala pada perangkat tambahan siklon dan saringan pada unit pembersih apabila tersumbat. Penggunaan yang terus menerus dalam kondisi tersumbat dapat menyebabkan panas berlebih atau asap.

#### **PEMBERITAHUAN:**

- **Ketika perangkat tambahan siklon terpasang, jangan gunakan pembersih dalam posisi horizontal atau menghadap ke atas.** Tindakan tersebut dapat menyebabkan tersumbatnya saringan jala.
- **Selalu gunakan pembersih dengan saringan yang terpasang, meskipun ketika menggunakan perangkat tambahan siklon.** Menggunakan pembersih tanpa memasang saringan dapat mengakibatkan kegagalan fungsi motor.

#### **CATATAN:**

- Pastikan perangkat tambahan siklon, pembersih, dan pipa lurus telah terkunci dengan benar sebelum digunakan.
- Kosongkan wadah debu pada perangkat tambahan siklon dan kapsul pada pembersih apabila tersumbat. Penggunaan yang terus menerus dapat mengakibatkan melemahnya daya pengisapan.

## **Membuang debu**

Ketika debu yang terkumpul melebihi garis batas pada wadah debu, ikuti prosedur di bawah ini dan buang debu.

1. Tahan wadah debu kuat-kuat, tekan dan tahan dua tombol, lalu lepaskan wadah debu. **(Gb. 39)**
2. Buang debu di dalam wadah debu dan hilangkan debu atau serbuk yang menempel pada permukaan saringan jala.
3. Masukkan wadah debu sepenuhnya hingga dua tombol terkunci dan berbunyi klik. **(Gb. 40)**

#### **CATATAN:**

- Pastikan perangkat tambahan siklon, pembersih, dan pipa lurus telah tersambung dengan kuat sebelum memulai ulang pengoperasian.
- Jika daya pengisapan tidak kembali normal meskipun Anda sudah membuang debu dan membersihkan saringan jala, periksa apakah ada debu yang terkumpul dalam kapsul pembersih atau terjadi penyumbatan.

## **Pembersihan**

Ketika wadah debu kotor atau saringan jala tersumbat, lepaskan dan cuci dengan air. (Baca "Membuang debu" untuk mengetahui prosedur pelepasan.)

Keringkan komponen seluruhnya sebelum memasang dan menggunakannya kembali. **(Gb. 41)**

Ketika saringan jala sangat kotor, bersihkan dengan mengikuti prosedur berikut.

1. Putar saringan jala berlawanan arah jarum jam, lalu lepaskan saat kaitnya terbuka pengunciannya. **(Gb. 42)**
2. Hilangkan debu pada saringan jala, lalu cuci dengan air. Setelah itu, keringkan seluruhnya.
3. Masukkan saringan jala ke dalam dudukan saat kaitnya sejajar dengan port. Putar saringan jala searah jarum jam hingga kaitnya terkunci dan berbunyi klik. Pastikan mata saringan jala mesin terpasang dengan kencang. **(Gb. 43)**

## TIẾNG VIỆT (Hướng dẫn gốc)

**CẢNH BÁO:** Thiết bị này có thể được sử dụng bởi trẻ em từ 8 tuổi trở lên và những người có sức khỏe yếu, tàn tật hay bị bệnh tâm thần hoặc thiếu kinh nghiệm và kiến thức nếu họ được giám sát hoặc được hướng dẫn sử dụng thiết bị này theo cách an toàn và hiểu được các mối nguy hiểm liên quan. Không được để trẻ em nghịch thiết bị này. Không được để trẻ em vệ sinh và bảo trì thiết bị mà không có sự giám sát.

### Giải thích về hình vẽ tổng thể

- |                          |                             |  |
|--------------------------|-----------------------------|--|
| 1. Chỉ báo màu đỏ        | 13. Miệng hút               | 24. Giá treo tường dành cho máy hút bụi cầm tay hoạt động bằng pin |
| 2. Nút                   | 14. Vành kẹp                | 25. Ống thẳng  |
| 3. Hộp pin               | 15. Dấu O                   | 26. Phụ kiện ly tâm máy hút bụi                                    |
| 4. Dấu sao               | 16. Tay cầm                 | 27. Vạch đầy   |
| 5. Bộ khởi động công tắc | 17. Rãnh cửa vỏ máy hút bụi | 28. Hộp chứa bụi   |
| 6. Đền                   | 18. Vòi thoát khí           | 29. Nút (hai vị trí)   |
| 7. Đền chỉ báo           | 19. Thân máy hút bụi        | 30. Bộ lọc dạng lưới   |
| 8. Nút kiểm tra          | 20. Ống nối dài             | 31. Móc  |
| 9. Hộp chứa              | 21. Vòi hút bụi ở góc       | 32. Cổng   |
| 10. Bộ lọc trước         | 22. Bộ lọc bọt biển         |  |
| 11. Bộ lọc               | 23. Cạnh đáy cửa trụ        |  |
| 12. Bộ lọc hiệu suất cao |                             |  |

## THÔNG SỐ KỸ THUẬT

Kiểu máy	DCL140	DCL180	DCL180F
Công suất	650 mL		
Sử dụng liên tục	Khoảng 20 phút		
Tổng chiều dài	981 mm	999 mm	
Trọng lượng tịnh	1,2 - 1,4 kg	1,2 - 1,5 kg	1,3 - 1,6 kg
Điện áp định mức	Dòng một chiều: 14,4 V		Dòng một chiều: 18 V

- Do chương trình nghiên cứu và phát triển liên tục của chúng tôi nên các thông số kỹ thuật dưới đây có thể thay đổi mà không cần thông báo.
- Các thông số kỹ thuật ở mỗi quốc gia có thể khác nhau.
- Trọng lượng không bao gồm phụ kiện ngoại trừ (các) hộp pin. Trọng lượng nhẹ nhất và nặng nhất của thiết bị và (các) hộp pin được trình bày trong bảng.

## Hộp pin và bộ sạc pin có thể dùng được

Hộp pin	Mẫu D.C.14,4 V	BL1415N/BL1430/BL1430B/BL1440/BL1450/BL1460B
	Mẫu D.C.18 V	BL1815N/BL1820/BL1820B/BL1830/BL1830B/BL1840/BL1840B/BL1850/BL1850B/BL1860B
Bộ sạc pin	DC18RC/DC18RD/DC18RE/DC18SD/DC18SE/DC18SF/DC18SH	

- Một số hộp pin và bộ sạc pin nêu trên có thể không dùng được tùy theo khu vực cư trú của bạn.

### **⚠ CẢNH BÁO:**

- Chỉ sử dụng hộp pin và bộ sạc pin có tên trong danh sách nêu trên.** Sử dụng hộp pin hoặc bộ sạc pin khác có thể gây thương tích và/hoặc cháy nổ.

### Ký hiệu

Những phần dưới đây cho biết các ký hiệu được dùng cho thiết bị. Đảm bảo rằng bạn hiểu ý nghĩa của các ký hiệu này trước khi sử dụng.

END315-1

### Mục đích sử dụng

Dụng cụ được dùng để hút bụi khô.

ENE017-1



..... Đọc tài liệu hướng dẫn.

# Cảnh báo an toàn cho máy hút bụi chạy pin

ENA007-2

**⚠ CẢNH BÁO: LƯU Ý ĐỌC KỸ** tất cả các cảnh báo an toàn và các hướng dẫn **TRƯỚC KHI SỬ DỤNG**. Việc không tuân theo các cảnh báo và hướng dẫn có thể dẫn đến điện giật, hỏa hoạn và/hoặc thương tích nghiêm trọng.

1. Không để thiết bị ngoài trời mưa. cất giữ dụng cụ ở trong nhà.
2. Không cho phép sử dụng máy hút bụi làm đồ chơi. Cần thật chú ý khi trẻ em dùng máy hút bụi hoặc máy hút bụi để gần trẻ em.
3. Chỉ sử dụng như được miêu tả trong tài liệu này. Chỉ sử dụng các phụ kiện được nhà sản xuất khuyến dùng.
4. Không sử dụng pin hỏng. Nếu thiết bị hoạt động không như mong đợi, bị rơi, bị hỏng, để ngoài trời hoặc bị rơi vào nước, hãy trả lại thiết bị cho trung tâm bảo dưỡng.
5. Không cầm thiết bị bằng tay ướt.
6. Không đặt bất kỳ vật gì vào các lỗ mở. Không sử dụng khi bất kỳ lỗ mở nào bị bịt, hãy giữ lỗ mở sạch bụi, xơ vải, tóc cũng như bất kỳ thứ gì có thể hạn chế dòng khí.
7. Giữ tóc, quần áo rộng, ngón tay và tất cả các bộ phận của cơ thể tránh xa các lỗ mở và bộ phận chuyển động.
8. Tắt tất cả các thiết bị điều khiển trước khi tháo pin.
9. Cần cẩn trọng hơn khi hút bụi cầu thang.
10. Không sử dụng thiết bị để hút các chất lỏng dễ cháy như xăng hoặc sử dụng thiết bị trong các khu vực có thể có chất lỏng.
11. Chỉ sử dụng bộ sạc được nhà sản xuất cung cấp để sạc lại.
12. Không hút các vật liệu đang cháy hoặc bốc khói như thuốc lá, diêm hoặc tro nóng.
13. Không sử dụng khi không có túi chứa bụi và/hoặc các bộ lọc đúng vị trí.
14. Không sạc pin ngoài trời.
15. Chỉ sạc lại bằng bộ sạc được nhà sản xuất chỉ định. Bộ sạc thích hợp cho một loại bộ pin có thể gây rủi ro cháy khi được sử dụng với bộ pin khác.
16. Chỉ sử dụng dụng cụ máy với các bộ pin được chỉ định cụ thể. Sử dụng bất kỳ bộ pin nào khác cũng có nguy cơ gây ra chấn thương hoặc cháy.
17. Khi không sử dụng bộ pin, hãy cất giữ bộ pin cách xa các vật kim loại khác, như ghim kẹp giấy, tiền xu, chìa khoá, đinh, đai ốc hoặc các vật kim loại nhỏ khác, là những vật có thể trở thành vật kết nối một cực với cực kia.
18. Trong các trường hợp sử dụng sai mục đích, pin có thể tiết ra chất lỏng; hãy tránh tiếp xúc. Nếu bạn vô tình tiếp xúc với chất lỏng này, hãy rửa sạch bằng nước.
19. Không sử dụng bộ pin hoặc dụng cụ bị hỏng hoặc đã được sửa đổi. Pin hỏng hoặc đã được sửa đổi có thể gặp phải hành vi bất ngờ gây ra cháy, nổ hoặc nguy cơ thương tích.
20. Không để bộ pin hoặc dụng cụ tiếp xúc với lửa hoặc nhiệt độ cao. Việc tiếp xúc với lửa hoặc nhiệt độ cao hơn 130 °C có thể gây ra nổ.

21. Làm theo tất cả hướng dẫn sạc và không sạc bộ pin hoặc dụng cụ ngoài phạm vi nhiệt độ được chỉ định trong hướng dẫn. Việc sạc không đúng cách hoặc ở nhiệt độ ngoài phạm vi được chỉ định có thể làm hỏng pin và làm tăng nguy cơ cháy.

## LƯU GIỮ CÁC HƯỚNG DẪN NÀY.

### QUY TẮC AN TOÀN BỘ SUNG

ENB127-1

Thiết bị này dùng để sử dụng trong nhà.

1. Đọc hướng dẫn sử dụng này và hướng dẫn sử dụng bộ sạc cẩn thận trước khi sử dụng.
2. Không hút những vật liệu sau:
  - Vật liệu nóng như thuốc lá đang cháy hoặc mảnh kim cương nhỏ/bụi kim loại do mài/cắt kim loại tạo ra
  - Vật liệu dễ cháy như xăng dầu, dung môi, ét xăng, dầu lửa hoặc sơn
  - Vật liệu dễ nổ như nitro glycerin
  - Vật liệu dễ cháy như Nhôm, kẽm, magiê, titan, photpho hoặc xenluloit
  - Đất ướt, nước, dầu hoặc những chất tương tự
  - Vật cứng có cạnh sắc như vỏ bào, kim loại, đá, thủy tinh, đinh, chốt hoặc dao cạo
  - Bọt dính cục như xi măng hoặc bột mạt
  - Mạt dẫn điện như kim loại hoặc cacbon
  - Hạt mịn như bụi bê tôngHút những vật liệu như vậy có thể gây cháy, thương tích và/hoặc thiệt hại tài sản.
3. Dừng vận hành ngay lập tức nếu bạn thấy bất kỳ điều gì không bình thường.
4. Nếu bạn làm rơi hoặc va đập vào máy hút bụi, hãy kiểm tra cẩn thận xem thiết bị có bị nứt hoặc hỏng không trước khi vận hành.
5. Không mang máy lại gần lò sưởi hoặc các nguồn nhiệt khác.
6. Không bịt lỗ hút bụi hoặc các lỗ thông bụi.

## LƯU GIỮ CÁC HƯỚNG DẪN NÀY.

### HƯỚNG DẪN AN TOÀN QUAN TRỌNG CHO HỘP PIN

ENC007-13

1. Trước khi sử dụng hộp pin, hãy đọc tất cả hướng dẫn và ký hiệu cảnh báo trên (1) bộ sạc pin, (2) pin và (3) sản phẩm dùng pin.
2. Không tháo rời hộp pin.
3. Nếu thời gian vận hành ngắn hơn quá mức, hãy ngừng vận hành ngay lập tức. Điều này có thể dẫn đến rủi ro quá nhiệt, có thể gây bỏng và thậm chí là nổ.
4. Nếu chất điện phân rơi vào mắt, hãy rửa sạch bằng nước sạch và đến cơ sở y tế ngay lập tức. Chất này có thể khiến bạn giảm thị lực.
5. Không để hộp pin ở tình trạng đoản mạch:
  - (1) Không chạm vào cực pin bằng vật liệu dẫn điện.
  - (2) Tránh cất giữ hộp pin trong hộp có các vật kim loại khác như đinh, tiền xu, v.v...
  - (3) Không để hộp pin dính nước hoặc ngoài trời mưa.

**Đoản mạch pin có thể gây ra dòng điện lớn, quá nhiệt, có thể gây bỏng và thậm chí là hỏng hóc.**

6. **Không cất giữ dụng cụ và hộp pin ở nơi nhiệt độ có thể lên tới hoặc vượt quá 50°C (122°F).**
7. **Không đốt hộp pin ngay cả khi hộp pin đã bị hư hại nặng hoặc hư hỏng hoàn toàn. Hộp pin có thể nổ khi tiếp xúc với lửa.**
8. **Hãy cẩn trọng không làm rơi hoặc làm méo pin.**
9. **Không sử dụng pin đã hỏng.**
10. **Pin lithium-ion chứa bên trong tuân theo các yêu cầu của Luật về hàng hóa nguy hiểm.**  
Đối với việc vận chuyển thương mại, ví dụ như bên thứ ba, đại lý giao nhận, phải tuân theo yêu cầu đặc biệt về đóng gói và gắn nhãn.  
Khi chuẩn bị giao hàng, cần phải tham vấn chuyên gia về vật liệu nguy hiểm. Ngoài ra, cũng tuân theo các quy định quốc gia có thể chi tiết hơn.  
Buộc hoặc phủ các tiếp điểm hở và đóng gói pin sao cho pin không thể di chuyển quanh hộp.
11. **Khi vứt bỏ hộp pin, hãy tháo chúng khỏi dụng cụ và thả bỏ ở nơi an toàn.** Phải tuân thủ theo các quy định của địa phương liên quan đến việc thả bỏ pin.
12. **Chỉ sử dụng pin với các sản phẩm do Makita chỉ định.** Lắp pin cho các sản phẩm không tương thích có thể gây ra cháy, nóng quá mức, nổ, hoặc rò rỉ chất điện phân.
13. **Nếu dụng cụ không được sử dụng trong một thời gian dài, cần phải tháo pin ra khỏi dụng cụ.**

## LƯU GIỮ CÁC HƯỚNG DẪN NÀY.

**⚠ THẬN TRỌNG:** Chỉ sử dụng pin chính hãng của Makita.

Việc sử dụng pin không phải chính hãng Makita hoặc pin đã bị biến đổi có thể khiến pin nổ gây ra hỏa hoạn, thương tích cá nhân và hư hại. Các pin này cũng sẽ không được nhận bảo hành của Makita dành cho dụng cụ và bộ sạc của Makita.

## Mẹo duy trì tuổi thọ tối đa cho pin

1. **Sạc pin trước khi hết pin.**  
**Luôn ngừng vận hành dụng cụ và sạc pin khi bạn thấy dụng cụ bị yếu pin.**
2. **Không bao giờ sạc lại pin khi hộp pin đã được sạc đầy.**  
**Sạc quá mức sẽ làm giảm tuổi thọ của pin.**
3. **Sạc pin ở nhiệt độ phòng 10°C - 40°C (50°F - 104°F).** Để cho hộp pin nóng nguội trước khi sạc.
4. **Sạc hộp pin nếu bạn không sử dụng hộp pin đó trong khoảng thời gian dài (hơn 6 tháng).**

## MÔ TẢ CHỨC NĂNG

**⚠ THẬN TRỌNG:**

- Luôn đảm bảo rằng đã tắt dụng cụ và tháo hộp pin trước khi điều chỉnh hoặc kiểm tra chức năng trên dụng cụ.
- Cẩn thận không để ngón tay kẹp giữa máy hút bụi và pin như được minh họa trong sơ đồ khi đang lắp pin. Ngón tay có thể bị thương. **(Hình 1)**

## Lắp hoặc tháo hộp pin (Hình 2)

**⚠ THẬN TRỌNG:**

- Luôn tắt công tắc dụng cụ trước khi lắp hoặc tháo hộp pin.
- **Cắm chắc dụng cụ và hộp pin khi lắp hoặc tháo hộp pin.** Không cầm chắc dụng cụ và hộp pin có thể khiến chúng bị trượt khỏi tay bạn, dẫn đến hư hỏng dụng cụ và hộp pin cũng như gây thương tích cá nhân.

Để tháo hộp pin, trượt hộp pin ra khỏi dụng cụ đồng thời đẩy nhẹ nút ở phía trước hộp pin.

Để lắp hộp pin, đặt thẳng hàng chốt nhô ra của hộp pin với rãnh ở vỏ và đẩy hộp pin vào vị trí. Đưa toàn bộ pin vào cho đến khi hộp pin khớp vào vị trí với một tiếng cách nhỏ. Nếu bạn có thể thấy chỉ báo màu đỏ ở mặt trên của nút thì hộp pin chưa hoàn toàn khớp vào vị trí.

**⚠ THẬN TRỌNG:**

- Luôn lắp hộp pin vào hoàn toàn cho đến khi không thể thấy được chỉ báo màu đỏ. Nếu không, pin có thể bất ngờ văng ra khỏi dụng cụ, gây thương tích cho bạn hoặc người xung quanh.
- Không dùng sức mạnh để lắp hộp pin: Nếu hộp pin không trượt vào dễ dàng thì có nghĩa là pin đang được lắp không đúng cách.

## Hệ thống bảo vệ pin (Pin lithium-ion có dấu sao) (Hình 3)

Pin lithium-ion có dấu sao được trang bị cho hệ thống bảo vệ. Hệ thống này tự động ngắt nguồn điện đến dụng cụ để kéo dài tuổi thọ của pin.

Dụng cụ sẽ tự động ngừng hoạt động nếu dụng cụ và/hoặc pin ở một trong các điều kiện sau:

- Bị quá tải:  
Dụng cụ được vận hành theo cách dẫn đến dòng điện cao bất thường.  
Trong trường hợp này, nhà công tắc khởi động trên dụng cụ và ngừng việc sử dụng khiến dụng cụ trở nên quá tải. Sau đó lại kéo công tắc khởi động để khởi động lại.  
Nếu dụng cụ không khởi động, pin bị quá nóng.  
Trong trường hợp này, để pin nguội trước khi lại kéo công tắc khởi động.
- Điện áp pin thấp:  
Dùng lượng pin còn lại quá thấp và dụng cụ sẽ không vận hành. Trong trường hợp này, hãy tháo và sạc lại pin.

## Hoạt động của công tắc (Hình 4)

**⚠ THẬN TRỌNG:**

- Trước khi lắp hộp pin vào dụng cụ, luôn kiểm tra xem bộ khởi động công tắc có khởi động đúng và trở về vị trí “TẮT” khi được nhả ra hay không.  
Để khởi động dụng cụ, chỉ cần kéo bộ khởi động công tắc. Nhả bộ khởi động công tắc để dừng.

## Bật đèn

**Dành cho kiểu máy DCL180F**

**⚠ THẬN TRỌNG:**

- Không được nhìn thẳng vào đèn. Ánh sáng trực tiếp có thể gây hại cho mắt của bạn. **(Hình 5)**



Kéo bộ khởi động công tắc để bật đèn. Nhả bộ khởi động công tắc để tắt.

## Cho biết lượng pin còn lại

### Chỉ dành cho hộp pin có đèn chỉ báo (Hình 6)

Nhấn nút kiểm tra trên hộp pin để cho biết lượng pin còn lại. Đèn chỉ báo sáng trong vài giây.

Đèn chỉ báo			Lượng pin còn lại
Bật sáng	Tắt	Nhấp nháy	
■	□	◐	75% đến 100%
■	■	■	50% đến 75%
■	■	□	25% đến 50%
■	□	□	0% đến 25%
◐	□	□	Sạc pin.
■	■	□	Pin có thể bị hỏng.

015658

### CHÚ Ý:

- Tuỳ vào điều kiện sử dụng và nhiệt độ môi trường xung quanh, lượng pin được chỉ báo có thể hơi khác so với lượng pin thực tế.

## QUÁ TRÌNH LẮP RÁP

### ⚠ THẬN TRỌNG:

- Luôn chắc chắn rằng dụng cụ đã được tắt nguồn và hộp pin đã được tháo ra trước khi thực hiện bất kỳ công việc nào trên dụng cụ.

### Loại bộ lọc

**Bộ lọc thông thường (Hình 7)**

**Bộ lọc hiệu suất cao (Hình 8)**

### Loại bỏ bụi

### ⚠ THẬN TRỌNG:

- Đổ hết bụi trong máy hút bụi trước khi quá đầy hoặc lực hút trở nên yếu.
- Đảm bảo đổ hết bụi có trong máy hút bụi. Không làm như vậy có thể khiến bộ lọc bị tắc hoặc mô tơ bị hỏng.

### Loại bỏ bụi cho bộ lọc thông thường

Để loại bỏ bụi dính trên bộ lọc trong hộp chứa, hãy vỗ vào hộp chứa 4 hoặc 5 lần bằng tay.

Bây giờ, hãy để miệng hút hướng xuống, xoay hộp chứa theo hướng mũi tên trong sơ đồ và tháo hộp chứa ra từ từ và thẳng. (Hình 9)

### CHÚ Ý:

- Bụi có thể đổ ra khi hộp chứa được mở, do vậy đảm bảo đặt túi rác bên dưới hộp chứa. (Hình 10)
- Loại bỏ bụi tích tụ khỏi phần bên trong hộp chứa và bộ lọc trước. (Hình 11)
- Vận bộ lọc trước theo hướng mũi tên để rời lỏng vành kẹp khỏi khối máy hút bụi rồi tháo bộ lọc trước. (Hình 12)
- Lau sạch bụi mịn khỏi máy hút bụi. Tiếp theo, tháo bộ lọc và vỗ nhẹ để bụi rơi ra.

### Loại bỏ bụi cho bộ lọc hiệu suất cao

Để giữ sạch bụi bám trên bộ lọc trong khoang chứa, dùng tay vỗ nhẹ khoang chứa 4 hoặc 5 lần. Sau đó hướng ngò vào đầu hút xuống dưới, xoay khoang chứa theo hướng mũi tên trong hình, và tháo khoang chứa một cách từ từ và kéo thẳng ra. (Hình 9)

### CHÚ Ý:

- Bụi có thể tràn ra khi khoang chứa mở, nên hãy đảm bảo để sẵn một túi rác bên dưới khoang chứa. Loại bỏ bụi tích lũy bên trong khoang chứa và tất bộ lọc hiệu suất cao. (Hình 13)
- Vận bộ lọc hiệu suất cao theo hướng mũi tên để mở mép cố định từ thiết bị máy hút bụi rồi sau đó kéo bộ lọc ra. (Hình 14)
- Làm sạch bụi mịn và vỗ nhẹ nhàng để giữ bụi ra khỏi bộ lọc hiệu suất cao.

### Lắp lại (Hình 15)

### Lắp lại bộ lọc thông thường

Lắp máy hút bụi cho đến khi khớp hoàn toàn đúng vị trí trên bộ phận máy hút bụi.

### CHÚ Ý:

- Đảm bảo bộ lọc được lắp thẳng vào mà màng lọc không bị trượt lại phía sau. Nếu bộ lọc được đặt không đúng như minh họa trong sơ đồ, bụi sẽ đi vào bên trong vỏ mô tơ và làm hỏng mô tơ. (Hình 16)

Lắp bộ lọc trước. Lúc này, đảm bảo vận bộ lọc trước để vành kẹp được khoá chắc chắn vào khối máy hút bụi. (Hình 17 & 18)

Lắp hộp chứa. Căn chỉnh biểu tượng O trên hộp chứa thẳng hàng với biểu tượng O trên tay cầm rồi vận chặt hộp chứa theo hướng mũi tên cho đến khi được siết chặt. (Hình 19 & 20)

### CHÚ Ý:

- Luôn loại bỏ bụi trước tiên vì lực hút sẽ giảm nếu có quá nhiều bụi trong máy hút bụi.
- Luôn đảm bảo kiểm tra cả bộ lọc và bộ lọc trước đều được lắp đúng trước khi sử dụng máy hút bụi. Nếu chúng không được lắp đúng cách, bụi sẽ đi vào bên trong vỏ mô tơ và làm hỏng mô tơ.
- Nếu xảy ra các trường hợp ví dụ sau thì bộ lọc và bộ lọc trước không được lắp đúng cách. Lắp lại đúng cách để khắc phục sự cố.

### Ví dụ về sự cố

Ví dụ 1: Chỉ lắp bộ lọc trước (không có bộ lọc)

(Hình 21)

Ví dụ 2: Chỉ lắp bộ lọc (không có bộ lọc trước)

(Hình 22)

Ví dụ 3: Bộ lọc được lắp ở trạng thái màng lọc bị trượt về phía sau (Hình 16)

Ví dụ 4: Vành kẹp của bộ lọc trước không được khoá chắc chắn vào rãnh của vỏ máy hút bụi (**Hình 23**)

## Lắp lại bộ lọc hiệu suất cao

Nối bộ lọc hiệu suất cao vào. Lúc này, đảm bảo vận bộ lọc hiệu suất cao sao cho mép cố định được gắn chặt vào thiết bị máy hút bụi. (**Hình 24 & 25**)  
Nối khoang chứa vào. Căn chỉnh cho biểu tượng O trên khoang chứa và biểu tượng O trên tay cầm thẳng hàng với nhau và vận chắc khoang chứa theo hướng mũi tên cho đến khi nó được vận chặt. (**Hình 26 & 20**)

### CHÚ Ý:

- Luôn loại bỏ bụi trước thời hạn, vì lực đầu hút sẽ bị giảm nếu có quá nhiều bụi trong máy hút bụi.
- Luôn đảm bảo kiểm tra cả bộ lọc hiệu suất cao được ráp đúng cách trước khi sử dụng máy hút bụi. Nếu bạn không lắp đúng cách, bụi sẽ vào trong khung động cơ, và làm cho động cơ gặp trục trặc. Nếu ví dụ dưới đây xảy ra, tức là bộ lọc hiệu suất cao đã không được lắp đúng cách. Nạp lại chúng cho đúng cách để khắc phục sự cố.

## Các ví dụ về sự cố

Mép cố định của bộ lọc hiệu suất cao không được gắn chặt vào rãnh của khung máy hút bụi. (**Hình 27**)

## VẬN HÀNH

### ⚠ THẬN TRỌNG:

- Để lắp các phụ kiện như vị hút, vận phụ kiện theo hướng mũi tên lắp để đảm bảo kết nối an toàn trong khi sử dụng. Để tháo phụ kiện, cũng vận theo hướng mũi tên tháo.  
Nếu phụ kiện được vận theo chiều ngược lại, khi được lắp hoặc tháo, hộp chứa có thể bị lỏng. (**Hình 28**)

## Làm sạch (Hút)

### Vòi thoát khí

Lắp vòi hút để làm sạch bàn, bàn làm việc, đồ đạc, v.v... Vòi hút trượt một cách dễ dàng. (**Hình 29**)

### Vòi hút + Ống nối dài (Ống thẳng)

Ống nối dài khớp vào giữa vòi hút và máy hút bụi. Sắp xếp này rất tiện lợi cho việc làm sạch sàn nhà trong khi đứng thẳng. (**Hình 30**)

### Vòi hút bụi ở góc

Lắp vòi hút bụi ở góc để làm sạch các góc và khe của ô tô hoặc đồ đạc. (**Hình 31**)

### Vị hút bụi ở góc + Ống nối dài (Ống thẳng)

Ở những góc hẹp mà máy hút bụi không thể lách vào hoặc ở những vị trí cao khó với tới, hãy sử dụng cách sắp xếp này. (**Hình 32**)

## Làm sạch khi không có vòi hút

Bạn có thể hút bột và bụi khi không có vòi hút. (**Hình 33**)

## BẢO DƯỠNG

### ⚠ THẬN TRỌNG:

- Luôn đảm bảo tắt dụng cụ trước khi cố gắng thực hiện kiểm tra hoặc bảo dưỡng.

## Vệ sinh

### CHÚ Ý:

- Không bao giờ dùng xăng, ét xăng, dung môi, cồn hoặc hóa chất tương tự. Có thể xảy ra hiện tượng mất màu, biến dạng hoặc nứt vỡ.
- Không dùng máy hút bụi để thổi bụi bám trên máy hút bụi và bộ lọc. Việc này sẽ đưa bụi vào trong vỏ máy và gây ra sự cố.
- Sau khi rửa các bộ lọc, để chúng thật khô trước khi sử dụng. Bộ lọc chưa khô có thể làm giảm lực hút và rút ngắn tuổi thọ của động cơ.
- Sau khi làm sạch bộ lọc và bộ lọc bọt biển, đảm bảo đã lắp đặt lại chúng trước khi sử dụng. Nếu bạn sử dụng máy hút bụi mà không có bộ lọc và bộ lọc bọt biển, bụi đi vào vỏ động cơ và gây ra sự cố.

## Thân máy hút bụi

Thỉnh thoảng lau sạch bên ngoài (thân máy hút bụi) bằng vải đã làm ẩm bằng nước xà phòng.

Vệ sinh cả miệng đầu hút và khu vực gắn bộ lọc. (**Hình 34**)

## Bộ lọc

Rửa bộ lọc bằng nước xà phòng khi bị tắc nghẽn do bụi và lực máy hút bụi trở nên yếu đi. Làm khô hoàn toàn trước khi sử dụng. (**Hình 35**)

## Bộ lọc bọt biển

Khi bộ lọc bọt biển bị bẩn, hãy làm sạch nó như sau.

1. Tháo bộ lọc.
2. Kéo bộ lọc bọt biển ra từ giữa các trụ.
3. Làm sạch bộ lọc bọt biển bằng cách đập nhẹ hoặc rửa. Nếu bạn rửa, hãy làm khô hoàn toàn trước khi sử dụng.
4. Lắp bộ lọc bọt biển từ giữa các trụ và đặt vào vị trí ban đầu. Đảm bảo rằng mỗi cạnh đáy của trụ giữ chặt bộ lọc bọt biển, và không có khoảng cách giữa bộ lọc bọt biển và miệng đầu hút. (**Hình 36**)

## Giá treo tường dành cho máy hút bụi cầm tay hoạt động bằng pin

### Phụ kiện tùy chọn

### CHÚ Ý:

- Vít gắn vào giá đỡ không được đi kèm. Chuẩn bị vít phù hợp với vật liệu để gắn chặt vào.  
Gắn giá treo tường dành cho máy hút bụi cầm tay hoạt động bằng pin vào tường bằng gỗ, dầm hoặc trụ chống, sao cho giá treo tường dành cho máy hút bụi cầm tay hoạt động bằng pin có thể gắn chặt được. Luôn đảm bảo rằng giá treo tường dành cho máy hút bụi cầm tay hoạt động bằng pin được gắn chặt trước khi treo máy hút bụi. (**Hình 37**)

### **⚠ THẬN TRỌNG:**

- Không treo máy hút bụi lên tường bằng cách gắn một cách bạo lực hoặc treo các thiết bị khác không phải máy hút bụi.

## Những điều cần Kiểm tra Trước khi yêu cầu sửa chữa

Triệu chứng	Vùng cần kiểm tra	Phương pháp khắc phục
Lục hút yếu	<ul style="list-style-type: none"><li>• Hộp chứa có đầy bụi không?</li><li>• Bộ lọc có bị tắc không?</li><li>• Có bị hết pin không?</li></ul>	<ul style="list-style-type: none"><li>• Đổ hết bụi khỏi hộp chứa.</li><li>• Đổ bụi ra hoặc rửa bộ lọc.</li><li>• Sạc lại pin.</li></ul>
Không hoạt động	<ul style="list-style-type: none"><li>• Có bị hết pin không?</li></ul>	<ul style="list-style-type: none"><li>• Sạc lại pin.</li></ul>

010051

### **CHÚ Ý:**

- Không cố gắng tự sửa máy hút bụi. Để duy trì ĐỘ AN TOÀN và ĐỘ TIN CẬY của sản phẩm, việc sửa chữa, bảo dưỡng hoặc bất kỳ điều chỉnh nào khác đều phải do Trung tâm Bảo trì Được uỷ quyền của Makita thực hiện, luôn sử dụng các bộ phận thay thế của Makita.

## PHỤ KIỆN TỰ CHỌN

### **⚠ THẬN TRỌNG:**

- Các phụ tùng hoặc phụ kiện này được khuyến nghị sử dụng với dụng cụ Makita của bạn được chỉ định trong tài liệu này. Việc sử dụng bất kỳ phụ tùng hoặc phụ kiện nào khác có thể dẫn đến rủi ro thương tích cho con người. Chỉ sử dụng phụ tùng hoặc phụ kiện với mục đích được nêu.

Nếu bạn cần bất kỳ sự hỗ trợ nào để biết thêm chi tiết về các phụ tùng này, hãy hỏi Trung tâm Bảo trì Makita tại địa phương của bạn.

- Ống nối dài (Ống thẳng)
- Vòi thoát khí
- Vòi hút bụi cho thảm
- Chổi hút bụi trên giá
- Vòi hút bụi ở góc
- Chổi tròn
- Ống di động
- Bộ lọc
- Bộ lọc trước
- Bộ lọc hiệu suất cao
- Giá treo tường dành cho máy hút bụi cầm tay hoạt động bằng pin
- Phụ kiện ly tâm máy hút bụi
- Pin và bộ sạc chính hãng Makita

### **CHÚ Ý:**

- Một số mục trong danh sách có thể được bao gồm trong gói dụng cụ làm các phụ kiện chuẩn. Các mục này ở mỗi quốc gia có thể khác nhau.

## Phụ kiện ly tâm máy hút bụi (Hình 38)

### Về phụ kiện ly tâm máy hút bụi

Sử dụng máy hút bụi có lắp phụ kiện ly tâm máy hút bụi sẽ làm giảm lượng bụi đi vào khoang chứa, giúp ngăn lực hút bị yếu đi. Ngoài ra, việc vệ sinh sau khi sử dụng cũng đơn giản.

### **⚠ THẬN TRỌNG:**

- Luôn đảm bảo rằng đã tắt dụng cụ và tháo hộp pin ra trước khi thực hiện bất cứ thao tác nào trên dụng cụ. Nếu vẫn lắp hộp pin, máy hút bụi có thể khởi động bất ngờ và gây thương tích.
- Vệ sinh bộ lọc dạng lưới của phụ kiện ly tâm máy hút bụi và bộ lọc của thiết bị máy hút bụi khi các bộ phận này bị tắc. Sử dụng liên tục trong điều kiện bị tắc có thể dẫn đến nóng lên hoặc bốc khói.

### **CHÚ Ý:**

- Khi gắn kèm phụ kiện ly tâm máy hút bụi, không sử dụng máy hút bụi trong điều kiện nằm ngang hoặc hướng lên trên. Làm như vậy có thể khiến bộ lọc dạng lưới bị tắc.
- Luôn sử dụng máy hút bụi có lắp bộ lọc, ngay cả khi sử dụng phụ kiện ly tâm máy hút bụi. Sử dụng máy hút bụi không lắp bộ lọc có thể gây trục trặc động cơ.

### **CHÚ Ý:**

- Kiểm tra để đảm bảo phụ kiện ly tâm máy hút bụi, máy hút bụi và ống thẳng được khóa đúng cách trước khi sử dụng.
- Đổ hết bụi trong hộp chứa bụi của phụ kiện ly tâm máy hút bụi và khoang chứa của máy hút bụi khi bụi đã tích tụ. Sử dụng liên tục sẽ khiến lực hút bị yếu đi.

## Thải bụi

Khi bụi đã tích tụ đến vạch đầy của hộp chứa bụi, hãy làm theo quy trình bên dưới và thải bỏ bụi.

1. Giữ chắc hộp chứa bụi, nhấn giữ hai nút này và tháo hộp chứa bụi ra. (Hình 39)
2. Thải bỏ bụi bên trong hộp chứa bụi đồng thời làm sạch bất kỳ bụi và bột nào dính vào bề mặt của bộ lọc dạng lưới.
3. Lắp hộp chứa bụi vào hết mức cho đến khi hai nút khóa với một tiếng cách. (Hình 40)

### **CHÚ Ý:**

- Kiểm tra để đảm bảo phụ kiện ly tâm máy hút bụi, máy hút bụi và ống thẳng đều được kết nối thật chặt trước khi khởi động lại thao tác.
- Nếu lực hút không phục hồi cả sau khi thải bỏ bụi và vệ sinh bộ lọc dạng lưới, hãy kiểm tra xem bụi có tích tụ trong khoang chứa của máy hút bụi hoặc có xảy ra tắc nghẽn hay không.

## Vệ sinh

Khi hộp chứa bụi bị bẩn hoặc bộ lọc dạng lưới bị tắc, hãy tháo và rửa các bộ phận này bằng nước. (Tham khảo “Thải bụi” để biết về quy trình tháo ra.)

Làm khô các bộ phận kỹ lưỡng trước khi lắp đặt lại và sử dụng. **(Hình 41)**

Khi bộ lọc dạng lưới bị bẩn nặng, hãy vệ sinh bộ lọc theo các quy trình sau đây.

1. Xoay bộ lọc dạng lưới ngược chiều kim đồng hồ và tháo ra khi các móc được mở khóa. **(Hình 42)**
2. Làm sạch bụi trên bộ lọc dạng lưới rồi rửa sạch bằng nước. Sau đó, làm khô bộ lọc hoàn toàn.
3. Lắp bộ lọc dạng lưới vào để trong khi các móc được căn chỉnh với cổng. Xoay bộ lọc dạng lưới theo chiều kim đồng hồ cho đến khi các móc được khóa lại với một tiếng cách. Đảm bảo rằng bộ lọc dạng lưới được lắp chắc chắn. **(Hình 43)**

## ภาษาไทย (คำแนะนำต้นฉบับ)

**คำเตือน:** เด็กที่มีอายุ 8 ปีขึ้นไปและผู้ที่มีความบกพร่องทางร่างกาย ประสาทสัมผัส หรือจิตใจ หรือผู้ที่ไม่มีความรู้และประสบการณ์จะสามารถใช้งานเครื่องใช้ไฟฟ้านี้ได้ก็ต่อเมื่อมีผู้ควบคุมดูแล หรือได้รับคำแนะนำเกี่ยวกับการใช้งานเครื่องใช้ไฟฟ้านี้อย่างปลอดภัยและเข้าใจถึงอันตรายที่อาจเกิดขึ้น ไม่ควรให้เด็กเล่นเครื่องใช้ไฟฟ้า ไม่ควรให้เด็กทำความสะอาดหรือบำรุงรักษาเครื่องใช้ไฟฟ้านี้โดยไม่มีผู้ควบคุมดูแล

### คำอธิบายเกี่ยวกับมุมมองทั่วไป

- |                      |                                 |  |
|----------------------|---------------------------------|--|
| 1. ส่วนสีแดง         | 12. ตัวกรองประสิทธิภาพสูง       | 23. ขอบด้านล่างของโครง                       |
| 2. ปุ่ม              | 13. ช่องดูดลมเข้า               | 24. ที่แขวนติดผนังสำหรับเครื่องดูดฝุ่นไร้สาย |
| 3. ดับเบิลแบตเตอรี่  | 14. ขอบสำหรับยึด                | 25. ท่อตรง                                   |
| 4. เครื่องหมายรูปดาว | 15. สัญลักษณ์ O                 | 26. อุปกรณ์ต่อพ่วงไซโคลน                     |
| 5. โกลสวิทช์         | 16. ด้ามจับ                     | 27. ซีตระดับสูงสุด                           |
| 6. ไฟสัญญาณ          | 17. ร่องของฝาครอบเครื่องดูดฝุ่น | 28. กาลังดักฝุ่น                             |
| 7. ไฟแสดงสถานะ       | 18. หัวดูด                      | 29. ปุ่ม (สองตำแหน่ง)                        |
| 8. ปุ่มตรวจสอบ       | 19. ตัวเครื่องดูดฝุ่น           | 30. ตัวกรอง                                  |
| 9. แคปซูล            | 20. ท่อดูดส่วนต่อขยาย           | 31. ขอบเกี่ยว                                |
| 10. ไม้กรองหยาบ      | 21. หัวดูดมุม                   | 32. พอร์ต                                    |
| 11. ตัวกรอง          | 22. กรองฟองน้ำ                  |  |

## ข้อมูลทางเทคนิค

รุ่น	DCL140	DCL180	DCL180F
ความจุ	650 มล.		
การใช้งานอย่างต่อเนื่อง	ประมาณ 20 นาที		
ความยาวทั้งหมด	981 มม.	999 มม.	
น้ำหนักสุทธิ	1.2 - 1.4 กก.	1.2 - 1.5 กก.	1.3 - 1.6 กก.
อัตราแรงดันไฟฟ้า	D.C. 14.4 V	D.C. 18 V	

- เนื่องจากการวิจัยและการพัฒนาของเราเป็นแผนงานต่อเนื่อง ดังนั้น ข้อมูลเทคนิคที่ระบุในเอกสารนี้อาจมีการเปลี่ยนแปลงโดยไม่ต้องแจ้งให้ทราบล่วงหน้า
- ข้อมูลเทคนิคอาจแตกต่างกันในแต่ละประเทศ
- น้ำหนักจะไม่รวมอุปกรณ์เสริม แต่รวมด้ามจับแบตเตอรี่ ในตารางจะแสดงน้ำหนักรวมทั้งเบาที่สุดและหนักที่สุดของเครื่องและด้ามจับแบตเตอรี่

## ด้ามจับแบตเตอรี่และแท่นชาร์จที่สามารถใช้งานได้

ด้ามจับแบตเตอรี่	รุ่น D.C. 14.4 V	BL1415N/BL1430/BL1430B/BL1440/BL1450/BL1460B
	รุ่น D.C. 18 V	BL1815N/BL1820/BL1820B/BL1830/BL1830B/BL1840/BL1840B/BL1850/BL1850B/BL1860B
แท่นชาร์จ	DC18RC/DC18RD/DC18RE/DC18SD/DC18SE/DC18SF/DC18SH	

- ด้ามจับแบตเตอรี่และแท่นชาร์จบางรายการที่ระบุไว้ทางด้านบนอาจไม่มีจำหน่ายในภูมิภาคของคุณ

## ⚠ คำเตือน:

- ใช้แต่ดัลบับแมตเตอร์และแท่นชาร์จที่ระบุไว้ทางด้านบนเท่านั้น

การใช้งานดัลบับแมตเตอร์และเครื่องชาร์จที่นอกเหนือไปจากที่ระบุอาจทำให้ได้รับบาดเจ็บ และ/หรือเกิดไฟไหม้ได้

### สัญลักษณ์

EN315-1

เนื้อหาในส่วนต่อไปนี้จะแสดงสัญลักษณ์ที่อาจใช้กับอุปกรณ์โปรดศึกษาความหมายของสัญลักษณ์ให้เข้าใจก่อนการใช้งาน



...อ่านคู่มือการใช้งาน

### วัตถุประสงค์การใช้งาน

ENE017-1

เครื่องมือนี้ผลิตขึ้นเพื่อใช้ในการจัดเก็บฝุ่นผงแบบแห้ง

## คำเตือนด้านความปลอดภัยของ

### เครื่องดูดฝุ่นไร้สาย

ENA007-2

⚠ คำเตือน: ข้อสำคัญ! โปรดอ่านคำเตือนด้านความปลอดภัยและคำแนะนำทั้งหมดอย่างละเอียดก่อนใช้งาน การไม่ปฏิบัติตามคำเตือน และคำแนะนำดังกล่าว อาจส่งผลให้เกิดไฟฟ้าช็อต ไฟไหม้ และ/หรือได้รับบาดเจ็บร้ายแรง

1. อย่าให้ถูกฝน จัดเก็บไว้ภายในอาคาร
2. ไม่ควรอนุญาตให้นำไปใช้เป็นของเล่น ดูแลอย่างใกล้ชิดเมื่อเด็ก ๆ เป็นผู้ใช้งานหรือใช้งานใกล้กับเด็ก ๆ
3. ใช้งานตามที่ระบุไว้ในคู่มือนี้เท่านั้น ใช้อุปกรณ์เสริมที่ได้รับคำแนะนำจากผู้ผลิตเท่านั้น
4. อย่าใช้งานแบตเตอรี่ที่ชำรุดเสียหาย หากอุปกรณ์ไม่ทำงานตามปกติ ร่วงหล่นลงพื้น ได้รับความเสียหาย ถูกทิ้งไว้กลางแจ้ง หรือตกน้ำ ให้นำส่งศูนย์บริการ
5. อย่าใช้งานอุปกรณ์ด้วยมือที่เปียกชื้น
6. อย่านำวัตถุใด ๆ ใส่ลงในช่องลม อย่าใช้เครื่องมือที่มีวัตถุอุดตันช่องลม ให้นำฝุ่นผง เส้นใย เส้นผม หรือสิ่งต่าง ๆ ที่อาจทำให้การไหลเวียนของอากาศลดลงออก
7. ระมัดระวังให้เส้นผม เสื้อผ้าที่หลวม รุ่มร่าม นิ้วมือ และส่วนต่าง ๆ ของร่างกายอยู่ใกล้กับช่องลมและชิ้นส่วนที่เคลื่อนที่ได้
8. ก่อนถอดแบตเตอรี่ ต้องปิดการทำงานของตัวควบคุมทั้งหมดก่อน
9. ใช้ความระมัดระวังเป็นพิเศษในขณะที่ทำความสะอาดชิ้นบนได
10. อย่าใช้ชุดของเหลวไวไฟหรือที่ติดไฟได้ง่าย เช่น น้ำมันเชื้อเพลิง หรือใช้ในสถานที่ที่อาจมีของเหลวดังกล่าวอยู่
11. ใช้แท่นชาร์จในการชาร์จไฟที่ผู้ผลิตให้มาเท่านั้น
12. อย่าใช้ตุ้ดสิ่งที่ถูกใหม่หรือมีเปลวไฟ เช่น บุหรี่ ไม้ขีดไฟ หรือถ้ำที่ยังร้อนอยู่
13. ห้ามใช้งานหากไม่ได้ใส่ถุงเก็บฝุ่น และ/หรือตัวกรองไว้
14. อย่าชาร์จแบตเตอรี่กลางแจ้ง

15. ชาร์จไฟด้วยแท่นชาร์จที่ระบุโดยผู้ผลิตเท่านั้น แท่นชาร์จที่ใช้งานได้กับชุดแมตเตอร์ประเภทหนึ่งอาจมีความเสี่ยงในการเกิดไฟไหม้ขึ้นเมื่อใช้กับชุดแมตเตอร์ประเภทอื่น
16. ใช้เครื่องมือไฟฟ้ากับชุดแมตเตอร์ที่ได้รับการออกแบบมาโดยเฉพาะ การใช้ชุดแมตเตอร์ประเภทอื่นอาจทำให้ได้รับบาดเจ็บและเกิดไฟไหม้ได้
17. เมื่อไม่ได้ใช้งานชุดแมตเตอร์ ให้เก็บไว้ในห่างจากวัตถุโลหะอื่น ๆ เช่น คลิปหนีบกระดาษ เหรียญ กุญแจ ตะปู สกรู หรือวัตถุโลหะขนาดเล็กอื่น ๆ ที่อาจทำการเชื่อมต่อจากขั้วหนึ่งไปยังอีกขั้วหนึ่ง
18. ในสภาพที่เป็นอันตราย อาจมีของเหลวไหลออกจากแบตเตอรี่ อย่างสัมผัสของเหลวดังกล่าว หากสัมผัสโดยไม่ตั้งใจ ให้ใช้น้ำล้างเพื่อทำความสะอาด
19. อย่าใช้งานชุดแมตเตอร์หรือเครื่องมือที่เสียหายหรือผ่านการปรับแต่ง แมตเตอร์ที่เสียหายหรือผ่านการปรับแต่งอาจมีรูปแบบการทำงานที่ไม่สามารถคาดเดาได้ ซึ่งอาจทำให้เกิดไฟไหม้, ระเบิด หรือเสี่ยงต่อการบาดเจ็บ
20. อย่าให้ชุดแมตเตอร์หรือเครื่องมือสัมผัสเปลวไฟหรืออุณหภูมิที่สูงเกินไป การสัมผัสเปลวไฟหรืออุณหภูมิที่สูงเกิน 130°C อาจทำให้เกิดการระเบิดได้
21. ปฏิบัติตามคำแนะนำในการชาร์จ และอย่าชาร์จชุดแมตเตอร์หรือเครื่องมือเมื่ออยู่ในบริเวณที่มีอุณหภูมิอยู่นอกช่วงที่ระบุไว้ในคำแนะนำ การชาร์จที่ไม่เหมาะสมหรือการชาร์จเมื่ออยู่ในบริเวณที่มีอุณหภูมิอยู่นอกช่วงที่ระบุ อาจทำให้แมตเตอร์เสียหาย และเพิ่มความเสี่ยงต่อการเกิดไฟไหม้

## เก็บรักษาคำแนะนำเหล่านี้ไว้

### กฎเกณฑ์ด้านความปลอดภัยเพิ่มเติม

ENB127-1

อุปกรณ์นี้ผลิตขึ้นเพื่อใช้งานภายในบ้านเท่านั้น

1. อ่านคู่มือการใช้งานนี้และคู่มือการใช้งานแท่นชาร์จอย่างละเอียดก่อนใช้งาน
2. อย่าใช้เครื่องดูดฝุ่นดังต่อไปนี้:
  - วัตถุที่มีความร้อน เช่น ก้นบุหรี่ที่ติดไฟอยู่ หรือประกายไฟ/ผงโลหะที่เกิดจากการเจีย/การตัดโลหะ
  - วัตถุไวไฟ เช่น น้ำมันเชื้อเพลิง ทินเนอร์ เบนซิน น้ำมันก๊าด หรือสีทาบ้าน
  - วัตถุระเบิด เช่น ไนโตรกลีเซอรีน
  - วัตถุที่ก่อให้เกิดประกายไฟได้ เช่น อลูมิเนียม สังกะสี แมกนีเซียม ไททานเนียม ฟอสฟอรัส หรือเซลลูโลสอัด

- สิ่งสกปรกที่มีความเปียกชื้น น้ำ น้ำมัน หรือวัตถุในลักษณะเดียวกัน
  - วัตถุแข็งที่มีขอบคม เช่น เศษไม้ โลหะ ก้อนหิน แก้ว ตะปู หมุด หรือไม้ตะโกน
  - ผงที่สามารถจับตัวเป็นลิ่มได้ เช่น ซีเมนต์หรือผงหมึก
  - ผุ่นผงที่เป็นสื่อไฟฟ้า เช่น โลหะหรือคาร์บอน
  - อนุภาคขนาดเล็ก เช่น ผงคอนกรีต
- เนื่องจากการกระทำดังกล่าวอาจก่อให้เกิดไฟไหม้ การบาดเจ็บ และ/หรือความเสียหายต่อทรัพย์สิน
3. หยุดทำงานทันที หากคุณสังเกตเห็นสิ่งผิดปกติ
  4. หากคุณทำเครื่องดูดฝุ่นร่วงหล่นหรือได้รับแรงกระแทก ให้ตรวจสอบรอยแตกร้าวหรือความเสียหายของเครื่องอย่างละเอียดก่อนการใช้งาน
  5. อย่านำเครื่องเข้าใกล้เตาไฟหรือแหล่งความร้อนอื่น ๆ
  6. อย่าให้มีสิ่งกีดขวางของดูดฝุ่นหรือช่องลม

10. แบตเตอรี่ที่มีลิเทียมไอออนอยู่ภายใต้ข้อบังคับว่าด้วยสินค้าอันตรายตามกฎหมาย  
สำหรับการขนย้ายเชิงพาณิชย์ เช่น โดยบริษัทภายนอก  
ตัวหนังสือส่งสินค้า จะต้องปฏิบัติตามข้อบังคับพิเศษบนบรรจุภัณฑ์และฉลากด้วย  
สำหรับการจัดเตรียมสินค้าที่จะจัดส่ง ต้องปรึกษาผู้เชี่ยวชาญด้านวัสดุอันตรายด้วย นอกจากนี้ ให้ปฏิบัติตามข้อบังคับอื่นๆ ที่ลงรายละเอียดเป็นกรณีๆ ไปของแต่ละประเทศด้วย  
ให้ปิดเตปหรือคลุมหน้าสัมผัสที่เปิดอยู่ และบรรจุแบตเตอรี่ในลักษณะที่แบตเตอรี่จะไม่สามารถเคลื่อนที่ได้ในบรรจุภัณฑ์
11. เมื่อกำจัดแบตเตอรี่ให้ถอดตัวแบตเตอรี่ออกจากเครื่องมือและกำจัดในสถานที่ที่ปลอดภัย ปฏิบัติตามข้อกำหนดในท้องถิ่นเกี่ยวกับการทิ้งแบตเตอรี่ของท่าน
12. ใช้งานแบตเตอรี่กับผลิตภัณฑ์ที่ Makita ระบุไว้เท่านั้น การติดตั้งแบตเตอรี่เข้ากับผลิตภัณฑ์ที่ไม่สามารถใช้งานร่วมกันได้อาจทำให้เกิดไฟไหม้, ความร้อนสูงเกิน, การระเบิดหรือของเหลวในแบตเตอรี่รั่วไหล
13. หากไม่ใช่เครื่องมือเป็นระยะเวลานาน จะต้องถอดแบตเตอรี่ออกจากเครื่องมือ

## เก็บรักษาคำแนะนำเหล่านี้ไว้

### คำแนะนำเพื่อความปลอดภัยที่สำคัญสำหรับตัวแบตเตอรี่

ENC007-13

1. ก่อนใช้งานตัวแบตเตอรี่ โปรดอ่านคำแนะนำและข้อควรระวังทั้งหมดที่ระบุอยู่ใน (1) แท่นชาร์จแบตเตอรี่ (2) แบตเตอรี่ และ (3) ผลิตภัณฑ์ที่ใช้แบตเตอรี่
2. อย่าแยกชิ้นส่วนตัวแบตเตอรี่
3. หากอายุการใช้งานสั้นเกินไป ให้หยุดใช้งานทันที เนื่องจากอาจทำให้แบตเตอรี่มีความร้อนสูงเกิน ซึ่งอาจลวกผิวหนัง และอาจร้ายแรงจนถึงขั้นเกิดการระเบิดได้
4. หากอิเล็กทรอนิกส์เข้าสู่ดวงตา ให้ล้างน้ำออก แล้วรีบไปพบแพทย์ทันที เนื่องจากอาจทำให้ตาบอดได้
5. อย่าลัดวงจรตัวแบตเตอรี่:
  - (1) อย่าให้วัสดุนำไฟฟ้าสัมผัสกับขั้วแบตเตอรี่
  - (2) อย่าจัดเก็บตัวแบตเตอรี่ในภาชนะที่มีวัสดุโลหะอื่น ๆ เช่น ตะปู เหยือก ฯลฯ
  - (3) อย่าให้ตัวแบตเตอรี่ถูกน้ำหรือฝน
 แบตเตอรี่ที่ลัดวงจรสามารถให้เกิดการไหลเวียนไฟฟ้าในปริมาณมาก มีความร้อนสูงเกินไป อาจลวกผิวหนัง และอาจร้ายแรงจนถึงขั้นที่ทำให้เกิดความชำรุดเสียหายได้
6. อย่าจัดเก็บเครื่องมือและตัวแบตเตอรี่ในสถานที่ที่มีอุณหภูมิสูงเกินกว่า 50°C (122°F)
7. อย่าเผาตัวแบตเตอรี่ แม้ว่าแบตเตอรี่จะเสียหายมากหรือเสื่อมสภาพอย่างสิ้นเชิง เนื่องจากตัวแบตเตอรี่อาจระเบิดในกองไฟ
8. ระวังอย่าให้แบตเตอรี่ร่วงหล่นหรือได้รับการกระทบ
9. อย่าใช้งานแบตเตอรี่ที่ชำรุดเสียหาย

## เก็บรักษาคำแนะนำเหล่านี้ไว้

**⚠ ข้อควรระวัง: ใช้แต่แบตเตอรี่ของแท้ของ Makita เท่านั้น**  
การใช้แบตเตอรี่ของแท้ของ Makita หรือใช้แบตเตอรี่ที่ผ่านการดัดแปลง อาจทำให้แบตเตอรี่ระเบิด เป็นสาเหตุให้เกิดไฟไหม้, ได้รับบาดเจ็บ และเกิดความเสียหายได้ อีกทั้งยังทำให้การรับประกันเครื่องมือและแท่นชาร์จของ Makita เป็นโมฆะด้วย

### เคล็ดลับในการดูแลรักษาแบตเตอรี่ให้มีอายุการใช้งานสูงสุด

1. ชาร์จตัวแบตเตอรี่ก่อนที่จะคายประจุออกจนหมด ให้หยุดการทำงานของเครื่องและชาร์จตัวแบตเตอรี่ก่อนเสมอเมื่อคุณสังเกตเห็นว่าพลังงานของเครื่องมือมีน้อยลง
2. อย่าชาร์จตัวแบตเตอรี่ที่มีพลังงานเต็มแล้ว การชาร์จตัวแบตเตอรี่มากเกินไปจะทำอายุการใช้งานของแบตเตอรี่สั้นลง
3. ชาร์จตัวแบตเตอรี่ในอุณหภูมิห้องระหว่าง 10°C - 40°C (50°F - 104°F) ก่อนที่จะชาร์จ ต้องปล่อยให้ตัวแบตเตอรี่ที่ร้อนเย็นลงก่อน
4. ชาร์จตัวแบตเตอรี่หากคุณไม่ได้ใช้งานมาเป็นเวลานาน (มากกว่า 6 เดือน)

# คำอธิบายการใช้งาน

## ⚠️ ข้อควรระวัง:

- ตรวจสอบว่าปิดสวิตช์เครื่องและถอดด้ามแบตเตอรี่ออกก่อนทำการปรับเปลี่ยนหรือตรวจสอบการทำงานของเครื่อง
- ระวังอย่าให้นิ้วมือไปติดอยู่ระหว่างเครื่องดูดฝุ่นและแบตเตอรี่ตามที่แสดงในแผนภาพ ในขณะที่ใส่แบตเตอรี่ เพราะนิ้วมือที่ติดอยู่อาจได้รับบาดเจ็บ (ภาพที่ 1)

## การประกอบหรือการถอดด้ามแบตเตอรี่ (ภาพที่ 2)

### ⚠️ ข้อควรระวัง:

- ปิดสวิตช์เครื่องทุกครั้งก่อนใส่หรือถอดด้ามแบตเตอรี่
- **ถือเครื่องมือและด้ามแบตเตอรี่ให้แน่นในขณะที่ประกอบหรือถอดด้ามแบตเตอรี่** การไม่ถือเครื่องมือและด้ามแบตเตอรี่ให้แน่นอาจทำให้อุปกรณ์ดังกล่าวลื่นหลุดจากมือของคุณอันเป็นผลให้เครื่องมือและด้ามแบตเตอรี่ชำรุดเสียหายและเกิดการบาดเจ็บขึ้น

ในการถอดด้ามแบตเตอรี่ ให้ถอดด้ามแบตเตอรี่ออกจากเครื่องโดยการเลื่อนปุ่มที่ด้านหน้าของด้ามแบตเตอรี่

ในการใส่ด้ามแบตเตอรี่ ให้จัดแนวลิ้นของด้ามแบตเตอรี่ให้ตรงกับร่องในฝาครอบเครื่องและเลื่อนให้เข้าที่ ใส่แบตเตอรี่เข้าไปจนสุดจนกว่าจะล็อกเข้าที่สนิทโดยจะได้ยินเสียงดังคลิกเบาๆ หากคุณยังคงมองเห็นส่วนสีแดงที่อยู่ด้านบนของปุ่ม แสดงว่ายังไม่เข้าที่

### ⚠️ ข้อควรระวัง:

- ใส่ด้ามแบตเตอรี่เข้าไปจนสุดจนกว่าจะมองไม่เห็นส่วนสีแดงเสมอ มิฉะนั้น แบตเตอรี่อาจร่วงหล่นออกจากเครื่องอย่างไม่ตั้งใจและทำให้คุณหรือบุคคลอื่นที่อยู่รอบๆ ได้รับบาดเจ็บได้
- อย่าฝืนใส่ด้ามแบตเตอรี่ หากด้ามแบตเตอรี่เลื่อนเข้าไปได้ลำบาก อาจเป็นเพราะใส่แบตเตอรี่ไม่ถูกต้อง

## ระบบการป้องกันแบตเตอรี่ (แบตเตอรี่ลิเทียมไอออนที่มีเครื่องหมายรูปดาว) (ภาพที่ 3)

แบตเตอรี่ลิเทียมไอออนที่มีเครื่องหมายรูปดาวจะมีระบบการป้องกันติดตั้งอยู่ ระบบนี้จะตัดกระแสไฟที่เข้าไปยังเครื่องมือโดยอัตโนมัติเพื่อยืดอายุการใช้งานแบตเตอรี่

เครื่องมืออาจหยุดชะงักระหว่างการทำงาน เมื่อเครื่องมือและ/หรือแบตเตอรี่อยู่ภายใต้สถานการณ์ต่อไปนี้:

- ทำงานหนักเกินกำลัง:  
เครื่องมือถูกใช้งานในลักษณะที่ก่อให้เกิดการดึงกระแสไฟที่สูงผิดปกติ  
ในสถานการณ์นี้ ปลดสวิตช์บนเครื่องมือแล้วหยุดการใช้งานที่ทำให้เครื่องมือต้องทำงานหนักเกินกำลัง จากนั้นดึงสวิตช์อีกครั้งเพื่อเริ่มการทำงานใหม่  
หากเครื่องมือไม่เริ่มต้นทำงาน แสดงว่าแบตเตอรี่มีความร้อนสูงเกินไป หากเกิดเหตุการณ์ดังกล่าว ควรทิ้งแบตเตอรี่ให้เย็นลงก่อนดึงสวิตช์อีกครั้ง

- แรจดันแบตเตอรี่ต่ำ:  
ความจุแบตเตอรี่เหลืออยู่น้อยเกินไป และเครื่องมือจะไม่ทำงาน ในสถานการณ์นี้ ให้ถอดและเปลี่ยนแบตเตอรี่

## การทำงานของสวิตช์ (ภาพที่ 4)

### ⚠️ ข้อควรระวัง:

- ก่อนใส่ด้ามแบตเตอรี่เข้าไปในเครื่อง ให้ตรวจสอบทุกครั้งว่าสวิตช์ทำงานปกติและกลับมาสถูตำแหน่ง "OFF" (ปิด) เมื่อปล่อย

ในการเริ่มต้นใช้งานเครื่องมือ ให้ดึงสวิตช์ ปลดสวิตช์เพื่อหยุดการทำงาน

## การเปิดไฟสัญญาณ

สำหรับรุ่น DCL180F เท่านั้น

### ⚠️ ข้อควรระวัง:
















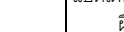

- อย่ามองไปที่ไฟโดยตรง การมองไฟโดยตรงจะทำให้เกิดอันตรายกับดวงตาของท่าน (ภาพที่ 5)  
ดึงสวิตช์เพื่อเปิดไฟ ปลดสวิตช์เมื่อต้องการปิดไฟ

## บอกระดับพลังงานแบตเตอรี่ที่เหลืออยู่

เฉพาะสำหรับด้ามแบตเตอรี่ที่มีตัวระบุ

(ภาพที่ 6)

กดปุ่มตรวจสอบบนด้ามแบตเตอรี่เพื่อบอกระดับพลังงานแบตเตอรี่ที่เหลืออยู่ ไฟแสดงสถานะจะติดเป็นเวลาสองสามวินาที

ไฟแสดงสถานะ			ระดับพลังงานที่เหลือ
 สว่าง	 ดับ	 กะพริบ	
			75% ถึง 100%
			50% ถึง 75%
			25% ถึง 50%
			0% ถึง 25%
			ชาร์จแบตเตอรี่
			แบตเตอรี่อาจทำงานผิดปกติ
			

### หมายเหตุ:

- ปริมาณแบตเตอรี่ที่แสดงอาจแตกต่างจากปริมาณแบตเตอรี่จริงเล็กน้อย ทั้งนี้ขึ้นอยู่กับสภาพการใช้งานและอุณหภูมิแวดล้อม



## การประกอบ

### ⚠️ ข้อควรระวัง:

- ตรวจสอบว่าปิดสวิตช์เครื่องและถอดดัดสับแบบตอร์ออกเสมอ ก่อนที่จะใช้งานใดๆ กับเครื่อง

## ประเภทของตัวกรอง

### ตัวกรองปกติ (ภาพที่ 7)

### ตัวกรองประสิทธิภาพสูง (ภาพที่ 8)

## การทิ้งฝุ่นผง

### ⚠️ ข้อควรระวัง:

- เทฝุ่นผงออกจากเครื่องดูดฝุ่นก่อนที่จะมีปริมาณมากเกินไป มิฉะนั้น แรงดูดจะอ่อนลง
- ตรวจสอบว่าฝุ่นผงภายในเครื่องดูดฝุ่นได้ถูกทิ้งออกไปจนหมด การไม่ปฏิบัติตามนี้อาจทำให้ตัวกรองอุดตันหรือทำให้มอเตอร์ชำรุดเสียหาย

## การทิ้งฝุ่นสำหรับตัวกรองปกติ

หากต้องการเทฝุ่นผงที่ติดอยู่กับตัวกรองในแคปซูลออก ให้ใช้มือเคาะที่แคปซูลประมาณ 4 หรือ 5 ครั้ง ในตอนนี้ให้หันช่องดูดลมเข้าทางด้านล่าง หมุนแคปซูลตามทิศทางของลูกศรในแผนภาพ และค่อยๆ ถอดแคปซูลออกตรงๆ (ภาพที่ 9)

### หมายเหตุ:

- ฝุ่นผงอาจลั่นออกมาเมื่อเปิดแคปซูล ดังนั้นจึงควรใส่ถุงขยะไว้ข้างใต้แคปซูล (ภาพที่ 10)

เทฝุ่นผงที่สะสมอยู่ออกจากด้านในของแคปซูลและออกจากไส้กรองหยาบ (ภาพที่ 11)

หมุนไส้กรองหยาบตามทิศทางของลูกศรเพื่อถอดขอบสำหรับยึดออกจากตัวเครื่องดูดฝุ่น แล้วจึงดึงไส้กรองหยาบออก (ภาพที่ 12) นำฝุ่นผงละเอียดออกจากไส้กรองหยาบ จากนั้น ให้ถอดตัวกรองออก และเคาะเบาๆ เพื่อเอาฝุ่นผงออก

## การทิ้งฝุ่นสำหรับตัวกรองประสิทธิภาพสูง

หากต้องการเทฝุ่นผงที่ติดอยู่กับตัวกรองในแคปซูลออก ให้ใช้มือเคาะที่แคปซูลประมาณ 4 หรือ 5 ครั้ง ในตอนนี้ให้หันช่องดูดลมเข้าทางด้านล่าง หมุนแคปซูลตามทิศทางของลูกศรในแผนภาพ และค่อยๆ ถอดแคปซูลออกตรงๆ (ภาพที่ 9)

### หมายเหตุ:

- ฝุ่นผงอาจลั่นออกมาเมื่อเปิดแคปซูล ดังนั้นจึงควรใส่ถุงขยะไว้ข้างใต้แคปซูล

เทฝุ่นผงที่สะสมอยู่ออกจากด้านในของแคปซูลและออกจากตัวกรองประสิทธิภาพสูง (ภาพที่ 13)

หมุนตัวกรองประสิทธิภาพสูงตามทิศทางของลูกศรเพื่อถอดขอบสำหรับยึดออกจากตัวเครื่องดูดฝุ่น แล้วจึงดึงตัวกรองออก (ภาพที่ 14)

ทำความสะอาดฝุ่นผงออกให้หมด และเคาะตัวกรองประสิทธิภาพสูงเบาๆ เพื่อไล่ฝุ่น

## การประกอบกลับเข้าไปใหม่ (ภาพที่ 15)

## การประกอบตัวกรองปกติกลับเข้าที่

ใส่ตัวกรองเข้าไปจนสุดจนกว่าจะเข้าที่สนิทภายในตัวเครื่องดูดฝุ่น

### หมายเหตุ:

- ตรวจสอบว่าได้ใส่ตัวกรองเข้าไปตรงๆ โดยไม่มีส่วนที่เปิดออก หากมีการใส่ตัวกรองไม่ถูกต้องตามที่แสดงในแผนภาพ ฝุ่นผงจะหลุดรอดเข้าไปในฝาครอบมอเตอร์ และอาจทำให้มอเตอร์ใช้งานไม่ได้ (ภาพที่ 16)

เชื่อมต่อไส้กรองหยาบ ในตอนนี้ ให้หมุนไส้กรองหยาบเพื่อให้ขอบสำหรับยึดล็อกเข้ากับตัวเครื่องดูดฝุ่นอย่างแน่นหนา (ภาพที่ 17 และ 18)

เชื่อมต่อแคปซูล จัดตำแหน่งเครื่องหมาย O บนแคปซูลให้ตรงกับเครื่องหมาย O บนมือจับ แล้วจึงหมุนแคปซูลตามทิศทางของลูกศรจนกว่าจะล็อกเข้าที่อย่างแน่นหนา (ภาพที่ 19 และ 20)

### หมายเหตุ:

- ให้เทฝุ่นผงทิ้งก่อนเวลาเสมอ เพราะแรงดูดจะลดลงหากมีฝุ่นผงอยู่ในเครื่องดูดฝุ่นมากเกินไป
- ก่อนที่จะใช้งานเครื่องดูดฝุ่น ต้องตรวจสอบให้แน่ใจทุกครั้งว่าได้ติดตั้งทั้งตัวกรองและไส้กรองหยาบอย่างถูกต้อง หากมีการติดตั้งส่วนประกอบทั้งสองอย่างไม่ถูกต้อง ฝุ่นผงจะหลุดรอดเข้าไปในฝาครอบมอเตอร์ และอาจทำให้มอเตอร์ใช้งานไม่ได้ หากเหตุการณ์ต่อไปนี้เกิดขึ้น หมายถึงมีการติดตั้งตัวกรองและไส้กรองหยาบอย่างไม่ถูกต้อง ให้ติดตั้งส่วนประกอบดังกล่าวอย่างถูกต้องเพื่อแก้ไขปัญหานี้

## ตัวอย่างของปัญหา

ตัวอย่างที่ 1: ประกอบเฉพาะไส้กรองหยาบเท่านั้น (ไม่มีตัวกรอง) (ภาพที่ 21)

ตัวอย่างที่ 2: ประกอบเฉพาะตัวกรองเท่านั้น (ไม่มีไส้กรองหยาบ) (ภาพที่ 22)

ตัวอย่างที่ 3: ประกอบตัวกรองโดยที่มีส่วนเปิดออกมา (ภาพที่ 16)

ตัวอย่างที่ 4: ขอบสำหรับยึดของไส้กรองหยาบไม่ได้ล็อกเข้ากับร่องของฝาครอบเครื่องดูดฝุ่นอย่างแน่นหนา (ภาพที่ 23)

## การประกอบตัวกรองประสิทธิภาพสูงกลับเข้าที่

ใส่ตัวกรองประสิทธิภาพสูง ในตอนนี้ ให้หมุนตัวกรองประสิทธิภาพสูงเพื่อให้ขอบสำหรับยึดล็อกเข้ากับตัวเครื่องดูดฝุ่นอย่างแน่นหนา (ภาพที่ 24 และ 25)

ใส่แคปซูล จัดตำแหน่งเครื่องหมาย O บนแคปซูลให้ตรงกับ เครื่องหมาย O บนมือจับ แล้วจึงหมุนแคปซูลตามทิศทางของ ลูกศรจนกว่าจะล็อกเข้าที่อย่างแน่นหนา (ภาพที่ 26 และ 20)

#### หมายเหตุ:

- ให้เทฝุ่นผงทิ้งก่อนเวลาเสมอ เพราะแรงดูดจะลดลงหากมีฝุ่นผง อยู่ในเครื่องดูดฝุ่นมากเกินไป
- ก่อนที่จะใช้งานเครื่องดูดฝุ่น ต้องตรวจสอบให้แน่ใจทุกครั้งว่า ได้ติดตั้งตัวกรองประสิทธิภาพสูงอย่างถูกต้อง หากมีการติดตั้ง ส่วนประกอบทั้งสองอย่างไม่ถูกต้อง ฝุ่นผงจะหลุดรอดเข้าไป ในฝาครอบมอเตอร์ และอาจทำให้มอเตอร์ใช้งานไม่ได้ หากเหตุการณ์ต่อไปนี้เกิดขึ้น หมายถึงมีการติดตั้งตัวกรอง ประสิทธิภาพสูงอย่างไม่ถูกต้อง ให้ติดตั้งส่วนประกอบดังกล่าว อย่างถูกต้องเพื่อแก้ไขปัญหานี้

### ตัวอย่างของปัญหา

ขอยึดของตัวกรองประสิทธิภาพสูง ไม่ได้ล็อกเข้ากับร่องของ เครื่องดูดฝุ่นแน่นพอ (ภาพที่ 27)

### การทำงาน

#### ⚠️ ข้อควรระวัง:

- ในการเชื่อมต่อส่วนประกอบต่างๆ เช่น หัวดูด ให้หมุนและใส่ ส่วนประกอบตามทิศทางของลูกศรเพื่อให้การเชื่อมต่อมีความ แน่นหนาระหว่างการใช้งาน ในการถอดส่วนประกอบออก ให้หมุนและถอดส่วนประกอบออกมาตามทิศทางของลูกศร หากมีการหมุนส่วนประกอบในทิศทางตรงกันข้าม เมื่อมีการ เชื่อมต่อหรือถอดส่วนประกอบต่างๆ อาจทำให้แคปซูลหลวม (ภาพที่ 28)

### การทำความสะอาด (การดูด)

#### หัวดูด

ประกอบหัวดูดเพื่อทำความสะอาดโต๊ะ โต๊ะทำงาน เฟอร์นิเจอร์ ฯลฯ หัวดูดสามารถสวมเข้าไปได้ง่าย (ภาพที่ 29)

#### หัวดูด + ท่อดูดส่วนต่อขยาย (ท่อตรง)

ท่อดูดส่วนต่อขยายจะเชื่อมต่อระหว่างหัวดูดและตัวเครื่องดูดฝุ่น การติดตั้งส่วนประกอบนี้จะสะดวกในการทำความสะอาดพื้น ในขณะที่ยืนตัวตรง (ภาพที่ 30)

#### หัวดูดมุม

ประกอบหัวดูดมุมเพื่อทำความสะอาดตามมุมและรอยแยกต่างๆ ของรถยนต์หรือเฟอร์นิเจอร์ (ภาพที่ 31)

#### หัวดูดมุม + ท่อดูดส่วนต่อขยาย (ท่อตรง)

ในบริเวณที่คับแคบซึ่งเครื่องดูดฝุ่นไม่สามารถเข้าไปได้ หรือในที่สูง ที่เอื้อมถึงยาก ขอแนะนำให้ใช้ส่วนประกอบนี้ (ภาพที่ 32)

### การทำความสะอาดโดยไม่มีหัวดูด

คุณสามารถดูดผนังและฝ้าได้โดยไม่มีหัวดูด (ภาพที่ 33)

### การดูแลรักษา

#### ⚠️ ข้อควรระวัง:

- ตรวจสอบว่าปิดสวิทช์และถอดปลั๊กเครื่องแล้วทุกครั้งก่อน ทำการตรวจสอบหรือดูแลรักษาเครื่อง

### การทำความสะอาด

#### ⚠️ ข้อสังเกต:

- อย่าใช้น้ำมันเชื้อเพลิง เบนซิน ทินเนอร์ แอลกอฮอล์ หรือวัสดุประเภทเดียวกัน เพราะอาจทำให้เครื่องมี สีสีดำจาง ผิดรูปทรง หรือแตกหักได้
- อย่าเป่าฝุ่นที่ติดอยู่บนเครื่องดูดฝุ่นและตัวกรองด้วย ที่เป่าฝุ่น เพราะจะทำให้ฝุ่นหลุดรอดเข้าไปในฝาครอบและ จะทำให้เครื่องใช้งานไม่ได้
- หลังล้างตัวกรองแล้ว ให้อรอนให้แห้งสนิทก่อนการใช้งาน ตัวกรองที่แห้งไม่สนิทอาจทำให้การดูดไม่มีประสิทธิภาพ และทำให้มอเตอร์มีอายุการใช้งานสั้นลง
- หลังทำความสะอาดตัวกรองและกรองฟองน้ำแล้ว ตรวจสอบให้แน่ใจว่าได้ประกอบกลับเข้าที่เดิมแล้ว ก่อนใช้งาน หากคุณใช้เครื่องดูดฝุ่นโดยไม่ใส่ตัวกรองและ กรองฟองน้ำ ฝุ่นอาจเข้าไปในโครงมอเตอร์และทำให้เครื่อง ทำงานผิดปกติได้

### ตัวเครื่องดูดฝุ่น

ให้ใช้ผ้าหมาดชุบน้ำสบู่เช็ดภายนอก (ตัวเครื่องดูดฝุ่น) ของ เครื่องดูดฝุ่นอย่างสม่ำเสมอ ทำความสะอาดช่องดูดฝุ่นและ บริเวณที่ติดตั้งตัวกรองด้วย (ภาพที่ 34)

### ตัวกรอง

ล้างตัวกรองในน้ำสบู่เมื่อมีฝุ่นผงอุดตัน และเมื่อกำลังของ เครื่องดูดฝุ่นน้อยลง เช็ดให้แห้งสนิทก่อนใช้งาน (ภาพที่ 35)

### กรองฟองน้ำ

เมื่อกรองฟองน้ำสกปรก ให้ทำความสะอาดดังนี้

1. ถอดตัวกรองออก
2. ดึงกรองฟองน้ำออกจากโครง
3. ทำความสะอาดกรองฟองน้ำโดยการตบเบาๆ หรือนำไปล้าง หากคุณล้าง ให้อรอนให้แห้งสนิทก่อนใช้งาน
4. สอดกรองฟองน้ำเข้าไประหว่างโครงและใส่กลับเข้าที่เดิม ตรวจสอบให้แน่ใจว่าขอบด้านล่างของโครงยึดฟองน้ำไว้ดีแล้ว และไม่มีช่องว่างระหว่างกรองฟองน้ำและช่องดูดฝุ่น (ภาพที่ 36)

## ที่แวนติดผนังสำหรับเครื่องดูดฝุ่นไร้สาย

### อุปกรณ์เสริม

#### หมายเหตุ:

- ไม่รวมสกรูลำหับยึดที่ยึด เตรียมสกรูที่เหมาะสมกับวัสดุเพื่อขันยึด

ติดที่แวนติดผนังสำหรับเครื่องดูดฝุ่นไร้สายเข้ากับผนัง คาน หรือเสาไม้ที่แข็ง ซึ่งสามารถยึดที่แวนติดผนังสำหรับเครื่อง

### สิ่งที่ควรตรวจสอบก่อนนำอุปกรณ์ไปซ่อมแซม

อาการ	บริเวณที่ต้องมีการตรวจสอบ	วิธีการซ่อมแซม
แรงดูดอ่อน	<ul style="list-style-type: none"><li>แคปซูลมีฝุ่นเต็มหรือไม่?</li><li>ตัวกรองดูดตันหรือไม่?</li><li>แบตเตอรี่หมดหรือไม่?</li></ul>	<ul style="list-style-type: none"><li>เทฝุ่นผงออกจากแคปซูล</li><li>เทฝุ่นออกหรือล้างตัวกรอง</li><li>ชาร์จแบตเตอรี่ใหม่</li></ul>
ไม่ทำงาน	<ul style="list-style-type: none"><li>แบตเตอรี่หมดหรือไม่?</li></ul>	<ul style="list-style-type: none"><li>ชาร์จแบตเตอรี่ใหม่</li></ul>

010051

#### หมายเหตุ:

- อย่าพยายามซ่อมแซมเครื่องดูดฝุ่นด้วยตัวเอง เพื่อคุณจะได้ผลิตภัณฑ์ที่มีความปลอดภัยและไว้วางใจได้ ควรส่งผลิตภัณฑ์ไปยังศูนย์บริการที่ได้รับอนุญาตของ Makita เพื่อดำเนินการซ่อมแซม ดูแลรักษา หรือปรับ และใช้อะไหล่แท้ของ Makita เท่านั้น

## อุปกรณ์เสริม

### ⚠️ ข้อควรระวัง:

- ขอแนะนำให้ใช้อุปกรณ์เสริมหรือส่วนประกอบเหล่านี้กับเครื่องมือ Makita ของคุณตามที่ระบุในคู่มือนี้ การใช้อุปกรณ์เสริมหรือส่วนประกอบอื่นอาจทำให้ผู้ใช้ได้รับบาดเจ็บ ใช้ อุปกรณ์เสริมหรือส่วนประกอบตามที่ระบุไว้เท่านั้น

หากต้องการทราบรายละเอียดเพิ่มเติมเกี่ยวกับอุปกรณ์เสริมดังกล่าว โปรดสอบถามศูนย์บริการของ Makita ในพื้นที่ของคุณ

- ท่อดูดส่วนต่อขยาย (ท่อตรง)
- หัวดูด
- หัวดูดพรม
- แปรงปัดชั้นวางของ
- หัวดูดมุม
- แปรงกลม
- ท่อดูดแบบอ่อน
- ตัวกรอง
- ใส่กรองหยาบ
- ตัวกรองประสิทธิภาพสูง
- ที่แวนติดผนังสำหรับเครื่องดูดฝุ่นไร้สาย
- อุปกรณ์ต่อพ่วงโซโคลน
- แบตเตอรี่และแท่นชาร์จของแท้ของ Makita

ดูดฝุ่นไร้สายได้อย่างแน่นอน ตรวจสอบให้แน่ใจว่าที่แวนติดผนังสำหรับเครื่องดูดฝุ่นไร้สายถูกยึดอย่างแน่นหนาดังแล้วก่อนจะแวนเครื่องดูดฝุ่น (ภาพที่ 37)

### ⚠️ ข้อควรระวัง:

- อย่าแวนเครื่องดูดฝุ่นกับที่แวนติดผนังอย่างรุนแรงหรือแวนเครื่องใช้อื่นที่นอกเหนือจากเครื่องดูดฝุ่น

#### หมายเหตุ:

- อุปกรณ์เสริมบางรายการอาจเป็นอุปกรณ์เสริมมาตรฐานที่รวมอยู่ในชุดเครื่องมือแล้วทั้งนี้ อาจมีความแตกต่างกันในแต่ละประเทศ

## อุปกรณ์ต่อพ่วงโซโคลน (ภาพที่ 38)

### เกี่ยวกับอุปกรณ์ต่อพ่วงโซโคลน

การใช้เครื่องดูดฝุ่นโดยติดตั้งอุปกรณ์ต่อพ่วงโซโคลนจะช่วยลดปริมาณฝุ่นที่เข้าไปในแคปซูล ซึ่งจะช่วยป้องกันไม่ให้เกิดจุดอ่อนลง นอกจากนั้น การทำความสะอาดหลังการใช้งานก็ง่ายขึ้นด้วย

### ⚠️ ข้อควรระวัง:

- ตรวจสอบว่าปิดสวิตช์เครื่องและถอดคัลับแบตเตอรี่ออกเสมอก่อนที่จะใช้งานใดๆ กับเครื่อง หากใส่คัลับแบตเตอรี่ค้างไว้ เครื่องดูดฝุ่นอาจทำงานโดยอัตโนมัติ และอาจส่งผลให้เกิดการบาดเจ็บได้
- ทำความสะอาดตัวกรองของอุปกรณ์ต่อพ่วงโซโคลน และตัวกรองของเครื่องดูดฝุ่นเมื่อฝุ่นดูดตัน การใช้งานต่อในขณะที่ฝุ่นดูดตันอาจทำให้เกิดความร้อนหรือควันได้

#### ข้อสังเกต:

- เมื่อติดตั้งอุปกรณ์ต่อพ่วงโซโคลน อย่าใช้เครื่องดูดฝุ่นในแนวนอนหรือหงายขึ้น มิฉะนั้น อาจทำให้ตัวกรองเกิดการอุดตัน
- ใช้เครื่องดูดฝุ่นที่ติดตั้งตัวกรองเสมอ ถึงแม้จะใช้งานอุปกรณ์ต่อพ่วงโซโคลนด้วย การใช้เครื่องดูดฝุ่นโดยไม่ติดตั้งตัวกรองอาจทำให้มอเตอร์ทำงานผิดปกติ

#### หมายเหตุ:

- ตรวจสอบว่าลืออกอุปกรณ์ต่อพ่วงโซโคลินเครื่องดูดฝุ่นและท่อตรงให้เหมาะสมก่อนการใช้งาน
- ทำความสะอาดกล่องดักฝุ่นของอุปกรณ์ต่อพ่วงโซโคลินและแคปซูลของเครื่องดูดฝุ่นเมื่อมีฝุ่นสะสม การใช้งานต่อจะทำให้แรงดูดอ่อนลง

#### การทิ้งฝุ่นผง

เมื่อมีฝุ่นสะสมถึงขีดระดับสูงสุดของกล่องดักฝุ่น ให้ปฏิบัติตามกระบวนการด้านล่างและนำฝุ่นออกไปทิ้ง

1. จับกล่องดักฝุ่นให้แน่น กดค้างที่ปุ่มทั้งสอง และถอดกล่องดักฝุ่น (ภาพที่ 39)
2. นำผงฝุ่นภายในกล่องดักฝุ่นออกไปทิ้ง จากนั้นจึงทิ้งฝุ่นและผงที่ติดบนพื้นผิวตัวกรอง
3. ใส่กล่องดักฝุ่นจนสุดจนกว่าจะได้ยินเสียงคลิกจากลืออกของปุ่มทั้งสอง (ภาพที่ 40)

#### หมายเหตุ:

- ตรวจสอบว่าเชื่อมต่อกับอุปกรณ์ต่อพ่วงโซโคลินเครื่องดูดฝุ่นและท่อตรงให้แน่นก่อนการใช้งานอีกครั้ง
- หากแรงดูดไม่ดีขึ้นหลังจากการนำฝุ่นออกไปทิ้งและการทำความสะอาดตัวกรอง ให้ตรวจสอบว่ามีฝุ่นสะสมในแคปซูลของเครื่องดูดฝุ่นหรือมีฝุ่นอุดตันหรือไม่

#### การทำความสะอาด

เมื่อกล่องดักฝุ่นมีคราบสกปรกหรือตัวกรองมีฝุ่นอุดตัน ให้ปิดออกและล้างน้ำ (โปรดดูขั้นตอนการกำจัดฝุ่นใน "การทิ้งฝุ่นผง") ตากชิ้นส่วนให้แห้งก่อนนำมาติดตั้งและใช้งานอีกครั้ง (ภาพที่ 41) เมื่อตัวกรองมีคราบสกปรกมาก ให้ล้างตามขั้นตอนดังต่อไปนี้

1. หมุนตัวกรองทวนเข็มนาฬิกาและถอดออกมาหลังจากปลดลืออกขอเกี่ยว (ภาพที่ 42)
2. บัดฝุ่นบนตัวกรองแล้วล้างน้ำ หลังจากนั้น ให้ตากจนแห้ง
3. ใส่ตัวกรองที่ฐานโดยให้ขอเกี่ยวตรงกับช่องต่อ หมุนตัวกรองตามเข็มนาฬิกาจนกว่าขอเกี่ยวจะมีเสียงคลิก ตรวจสอบให้แน่ใจว่าติดตั้งตัวกรองให้แน่น (ภาพที่ 43)

**Makita Corporation**

3-11-8, Sumiyoshi-cho,  
Anjo, Aichi 446-8502 Japan