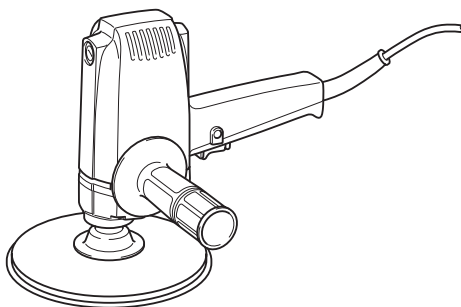




EN	Disc Sander	INSTRUCTION MANUAL	3
ZHCN	盘式砂光机	使用说明书	8
ID	Mesin Ampelas Cakram	PETUNJUK PENGGUNAAN	13
MS	Pelelas Cakera	MANUAL ARAHAN	18
VI	Máy Chà Nhám Đĩa Cầm Tay Hoạt Động Bằng Động Cơ Điện	TÀI LIỆU HƯỚNG DẪN	23
TH	เครื่องขัดแบบจาน	คู่มือการใช้งาน	28

9218SB



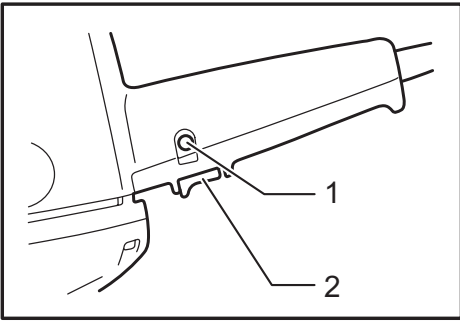


Fig.1

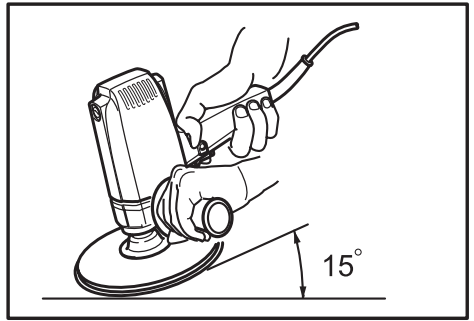


Fig.5

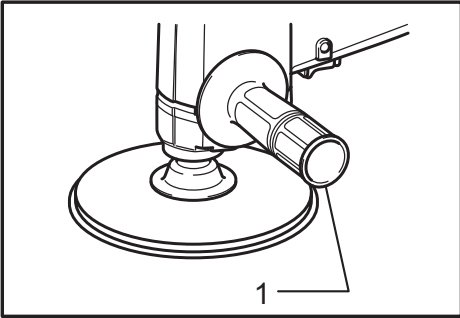


Fig.2

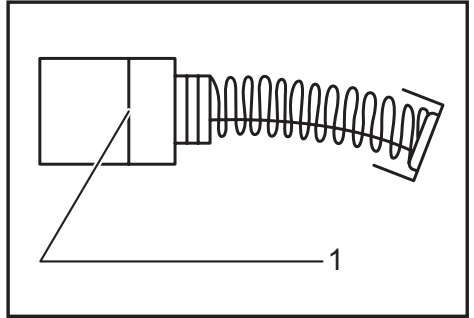


Fig.6

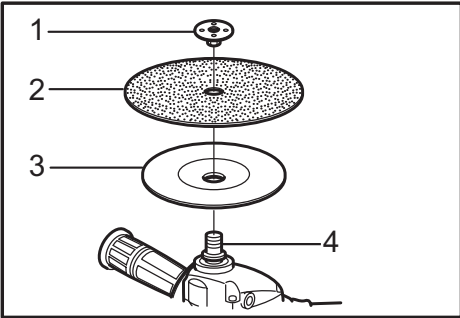


Fig.3

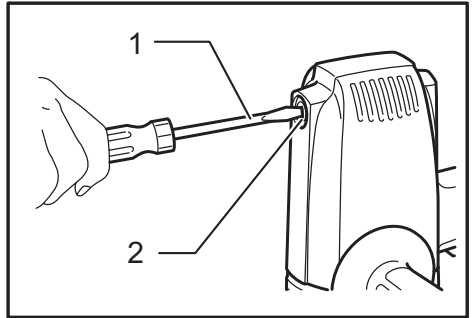


Fig.7

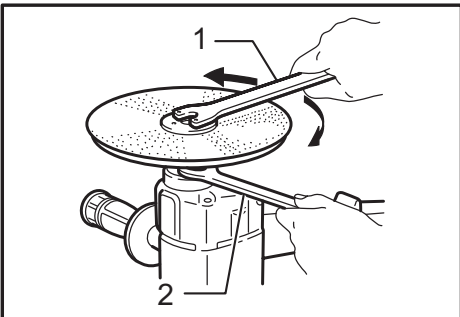


Fig.4





SPECIFICATIONS

Model	9218SB
Abrasive disc diameter	180 mm
Wire cup brush	110 mm
Rated speed (n) / No load speed (n ₀)	4,900 min ⁻¹
Overall length	225 mm
Net weight	2.9 kg
Safety class	□/II

- Due to our continuing program of research and development, the specifications herein are subject to change without notice.
- Specifications may differ from country to country.
- Weight according to EPTA-Procedure 01/2003

Symbols

The following show the symbols used for the equipment. Be sure that you understand their meaning before use.

	Read instruction manual.
	DOUBLE INSULATION
	Wear safety glasses.
	Only for EU countries Do not dispose of electric equipment together with household waste material! In observance of the European Directive, on Waste Electric and Electronic Equipment and its implementation in accordance with national law, electric equipment that have reached the end of their life must be collected separately and returned to an environmentally compatible recycling facility.

Intended use

The tool is intended for the sanding of large surface of wood, plastic and metal materials as well as painted surfaces.

Power supply

The tool should be connected only to a power supply of the same voltage as indicated on the nameplate, and can only be operated on single-phase AC supply. They are double-insulated and can, therefore, also be used from sockets without earth wire.

General Power Tool Safety Warnings

⚠ WARNING Read all safety warnings and all instructions. Failure to follow the warnings and instructions may result in electric shock, fire and/or serious injury.

Save all warnings and instructions for future reference.

The term "power tool" in the warnings refers to your mains-operated (corded) power tool or battery-operated (cordless) power tool.

Work area safety

1. **Keep work area clean and well lit.** Cluttered or dark areas invite accidents.
2. **Do not operate power tools in explosive atmospheres, such as in the presence of flammable liquids, gases or dust.** Power tools create sparks which may ignite the dust or fumes.
3. **Keep children and bystanders away while operating a power tool.** Distractions can cause you to lose control.

Electrical safety

4. **Power tool plugs must match the outlet. Never modify the plug in any way. Do not use any adapter plugs with earthed (grounded) power tools.** Unmodified plugs and matching outlets will reduce risk of electric shock.
5. **Avoid body contact with earthed or grounded surfaces such as pipes, radiators, ranges and refrigerators.** There is an increased risk of electric shock if your body is earthed or grounded.
6. **Do not expose power tools to rain or wet conditions.** Water entering a power tool will increase the risk of electric shock.
7. **Do not abuse the cord. Never use the cord for carrying, pulling or unplugging the power tool. Keep cord away from heat, oil, sharp edges or moving parts.** Damaged or entangled cords increase the risk of electric shock.
8. **When operating a power tool outdoors, use an extension cord suitable for outdoor use.** Use of a cord suitable for outdoor use reduces the risk of electric shock.
9. **If operating a power tool in a damp location is unavoidable, use a residual current device (RCD) protected supply.** Use of an RCD reduces the risk of electric shock.

10. **Use of power supply via a RCD with a rated residual current of 30 mA or less is always recommended.**

Personal safety

11. **Stay alert, watch what you are doing and use common sense when operating a power tool. Do not use a power tool while you are tired or under the influence of drugs, alcohol or medication.** A moment of inattention while operating power tools may result in serious personal injury.
12. **Use personal protective equipment. Always wear eye protection.** Protective equipment such as dust mask, non-skid safety shoes, hard hat, or hearing protection used for appropriate conditions will reduce personal injuries.
13. **Prevent unintentional starting. Ensure the switch is in the off-position before connecting to power source and/or battery pack, picking up or carrying the tool.** Carrying power tools with your finger on the switch or energising power tools that have the switch on invites accidents.
14. **Remove any adjusting key or wrench before turning the power tool on.** A wrench or a key left attached to a rotating part of the power tool may result in personal injury.
15. **Do not overreach. Keep proper footing and balance at all times.** This enables better control of the power tool in unexpected situations.
16. **Dress properly. Do not wear loose clothing or jewellery. Keep your hair, clothing, and gloves away from moving parts.** Loose clothes, jewellery or long hair can be caught in moving parts.
17. **If devices are provided for the connection of dust extraction and collection facilities, ensure these are connected and properly used.** Use of dust collection can reduce dust-related hazards.

Power tool use and care

18. **Do not force the power tool. Use the correct power tool for your application.** The correct power tool will do the job better and safer at the rate for which it was designed.
19. **Do not use the power tool if the switch does not turn it on and off.** Any power tool that cannot be controlled with the switch is dangerous and must be repaired.
20. **Disconnect the plug from the power source and/or the battery pack from the power tool before making any adjustments, changing accessories, or storing power tools.** Such preventive safety measures reduce the risk of starting the power tool accidentally.
21. **Store idle power tools out of the reach of children and do not allow persons unfamiliar with the power tool or these instructions to operate the power tool.** Power tools are dangerous in the hands of untrained users.
22. **Maintain power tools. Check for misalignment or binding of moving parts, breakage of parts and any other condition that may affect the power tool's operation. If damaged, have the power tool repaired before use.** Many accidents are caused by poorly maintained power tools.
23. **Keep cutting tools sharp and clean.** Properly maintained cutting tools with sharp cutting edges are less likely to bind and are easier to control.

24. **Use the power tool, accessories and tool bits etc. in accordance with these instructions, taking into account the working conditions and the work to be performed.** Use of the power tool for operations different from those intended could result in a hazardous situation.

Service

25. **Have your power tool serviced by a qualified repair person using only identical replacement parts.** This will ensure that the safety of the power tool is maintained.
26. **Follow instruction for lubricating and changing accessories.**
27. **Keep handles dry, clean and free from oil and grease.**

DISC SANDER SAFETY WARNINGS

Safety Warnings Common for Sanding Operation:

1. **This power tool is intended to function as a sander. Read all safety warnings, instructions, illustrations and specifications provided with this power tool.** Failure to follow all instructions listed below may result in electric shock, fire and/or serious injury.
2. **Operations such as grinding, wire brushing, polishing or cutting-off are not recommended to be performed with this power tool.** Operations for which the power tool was not designed may create a hazard and cause personal injury.
3. **Do not use accessories which are not specifically designed and recommended by the tool manufacturer.** Just because the accessory can be attached to your power tool, it does not assure safe operation.
4. **The rated speed of the accessory must be at least equal to the maximum speed marked on the power tool.** Accessories running faster than their rated speed can break and fly apart.
5. **The outside diameter and the thickness of your accessory must be within the capacity rating of your power tool.** Incorrectly sized accessories cannot be adequately guarded or controlled.
6. **Threaded mounting of accessories must match the tool spindle thread. For accessories mounted by flanges, the arbour hole of the accessory must fit the locating diameter of the flange.** Accessories that do not match the mounting hardware of the power tool will run out of balance, vibrate excessively and may cause loss of control.
7. **Do not use a damaged accessory. Before each use inspect the accessory such as backing pad for cracks, tear or excess wear. If power tool or accessory is dropped, inspect for damage or install an undamaged accessory. After inspecting and installing an accessory, position yourself and bystanders away from the plane of the rotating accessory and run the power tool at maximum no-load speed for one minute. Damaged accessories will normally break apart during this test time.**

8. **Wear personal protective equipment.** Depending on application, use face shield, safety goggles or safety glasses. As appropriate, wear dust mask, hearing protectors, gloves and workshop apron capable of stopping small abrasive or workpiece fragments. The eye protection must be capable of stopping flying debris generated by various operations. The dust mask or respirator must be capable of filtering particles generated by your operation. Prolonged exposure to high intensity noise may cause hearing loss.
9. **Keep bystanders a safe distance away from work area. Anyone entering the work area must wear personal protective equipment.** Fragments of workpiece or of a broken accessory may fly away and cause injury beyond immediate area of operation.
10. **Position the cord clear of the spinning accessory.** If you lose control, the cord may be cut or snagged and your hand or arm may be pulled into the spinning accessory.
11. **Never lay the power tool down until the accessory has come to a complete stop.** The spinning accessory may grab the surface and pull the power tool out of your control.
12. **Do not run the power tool while carrying it at your side.** Accidental contact with the spinning accessory could snag your clothing, pulling the accessory into your body.
13. **Regularly clean the power tool's air vents.** The motor's fan will draw the dust inside the housing and excessive accumulation of powdered metal may cause electrical hazards.
14. **Do not operate the power tool near flammable materials.** Sparks could ignite these materials.
15. **Do not use accessories that require liquid coolants.** Using water or other liquid coolants may result in electrocution or shock.

Kickback and Related Warnings

Kickback is a sudden reaction to a pinched or snagged rotating wheel, backing pad, brush or any other accessory. Pinching or snagging causes rapid stalling of the rotating accessory which in turn causes the uncontrolled power tool to be forced in the direction opposite of the accessory's rotation at the point of the binding. Kickback is the result of power tool misuse and/or incorrect operating procedures or conditions and can be avoided by taking proper precautions as given below.

- a) **Maintain a firm grip on the power tool and position your body and arm to allow you to resist kickback forces. Always use auxiliary handle, if provided, for maximum control over kickback or torque reaction during start-up.** The operator can control torque reactions or kickback forces, if proper precautions are taken.
- b) **Never place your hand near the rotating accessory.** Accessory may kickback over your hand.
- c) **Do not position your body in the area where power tool will move if kickback occurs.** Kickback will propel the tool in direction opposite to the wheel's movement at the point of snagging.

- d) **Use special care when working corners, sharp edges etc. Avoid bouncing and snagging the accessory.** Corners, sharp edges or bouncing have a tendency to snag the rotating accessory and cause loss of control or kickback.
- e) **Do not attach a saw chain woodcarving blade or toothed saw blade.** Such blades create frequent kickback and loss of control.

Safety Warnings Specific for Sanding Operations:

- a) **Do not use excessively oversized sanding disc paper. Follow manufacturers recommendations, when selecting sanding paper.** Larger sanding paper extending beyond the sanding pad presents a laceration hazard and may cause snagging, tearing of the disc or kickback.

Additional safety warnings:

16. **Some material contains chemicals which may be toxic. Take caution to prevent dust inhalation and skin contact. Follow material supplier safety data.**
17. **Ventilate your work area adequately when you perform sanding operations.**
18. **Use of this tool to sand some products, paints and wood could expose user to dust containing hazardous substances. Use appropriate respiratory protection.**
19. **Make sure the abrasive disc is not contacting the workpiece before the switch is turned on.**
20. **Do not leave the tool running. Operate the tool only when hand-held.**
21. **Do not touch the workpiece immediately after operation; it may be extremely hot and could burn your skin.**
22. **Check that the workpiece is properly supported.**
23. **If working place is extremely hot and humid, or badly polluted by conductive dust, use a short-circuit breaker (30 mA) to assure operator safety.**
24. **Do not use the tool on any materials containing asbestos.**

SAVE THESE INSTRUCTIONS.

⚠WARNING: DO NOT let comfort or familiarity with product (gained from repeated use) replace strict adherence to safety rules for the subject product. MISUSE or failure to follow the safety rules stated in this instruction manual may cause serious personal injury.

FUNCTIONAL DESCRIPTION

⚠ CAUTION:

- Always be sure that the tool is switched off and unplugged before adjusting or checking function on the tool.

Switch action

► Fig.1: 1. Lock button 2. Switch trigger

⚠ CAUTION:

- Before plugging in the tool, always check to see that the switch trigger actuates properly and returns to the "OFF" position when released.
- Switch can be locked in "ON" position for ease of operator comfort during extended use. Apply caution when locking tool in "ON" position and maintain firm grasp on tool.

To start the tool, simply pull the switch trigger. Release the switch trigger to stop.

For continuous operation, pull the switch trigger and then push in the lock button.

To stop the tool from the locked position, pull the switch trigger fully, then release it.

ASSEMBLY

⚠ CAUTION:

- Always be sure that the tool is switched off and unplugged before carrying out any work on the tool.

Installing side grip (auxiliary handle)

► Fig.2: 1. Side grip

⚠ CAUTION:

- Always be sure that the side grip is installed securely before operation.

Screw the side grip on the tool securely.

Installing or removing abrasive disc

► Fig.3: 1. Lock nut 2. Abrasive disc 3. Rubber pad 4. Spindle

Mount the rubber pad onto the spindle. Fit the abrasive disc on the rubber pad and screw the lock nut onto the spindle.

To tighten the lock nut, hold the spindle with the wrench so that it cannot revolve, then use the lock nut wrench and securely tighten clockwise.

► Fig.4: 1. Lock nut wrench 2. Wrench

To remove the disc, follow the installation procedure in reverse.

OPERATION

Sanding operation

► Fig.5

⚠ CAUTION:

- Always wear safety goggles or a face shield during operation.
- Never run the tool without the abrasive disc. You may seriously damage the pad.

Hold the tool firmly with one hand on the gripping part of the tool and the other hand on the side grip when performing the tool. Turn the tool on and then apply the abrasive disc to the workpiece.

In general, keep the abrasive disc at an angle of about 15 degrees to the workpiece surface. Apply slight pressure only. Excessive pressure will result in poor performance and premature wear to abrasive disc.

MAINTENANCE

⚠ CAUTION:

- Always be sure that the tool is switched off and unplugged before attempting to perform inspection or maintenance.
- Never use gasoline, benzine, thinner, alcohol or the like. Discoloration, deformation or cracks may result.

Replacing carbon brushes

► Fig.6: 1. Limit mark

Remove and check the carbon brushes regularly. Replace when they wear down to the limit mark. Keep the carbon brushes clean and free to slip in the holders. Both carbon brushes should be replaced at the same time. Use only identical carbon brushes.

Use a screwdriver to remove the brush holder caps.

Take out the worn carbon brushes, insert the new ones and secure the brush holder caps.

► Fig.7: 1. Screwdriver 2. Brush holder cap

To maintain product SAFETY and RELIABILITY, repairs, any other maintenance or adjustment should be performed by Makita Authorized Service Centers, always using Makita replacement parts.

OPTIONAL ACCESSORIES

⚠ CAUTION:

- These accessories or attachments are recommended for use with your Makita tool specified in this manual. The use of any other accessories or attachments might present a risk of injury to persons. Only use accessory or attachment for its stated purpose.

If you need any assistance for more details regarding these accessories, ask your local Makita Service Center.

- Rubber pad
- Abrasive discs
- Lock nut
- Wrench 17
- Grip 36
- Lock nut wrench 28

NOTE:

- Some items in the list may be included in the tool package as standard accessories. They may differ from country to country.

规格

型号	9218SB
砂轮片直径	180 mm
杯形钢丝刷	110 mm
额定速度 (n) / 空载速度 (n ₀)	4,900 r/min
总长度	225 mm
净重	2.9 kg
安全等级	□/II

- 由于研发计划将持续进行，生产者保留变更规格不另行通知之权利。
- 规格可能因销往国家之不同而异。
- 重量符合EPTA-Procedure 01/2003

符号

以下显示本工具使用的符号。在使用工具之前请务必理解其含义。



阅读使用说明书。



II类工具



佩带安全眼镜。



仅限于欧盟国家
请勿将电气设备与家庭普通废弃物一同丢弃！
请务必遵守欧洲关于废弃电子电气设备的指令，根据各国法律法规执行。达到使用寿命的电气设备必须分类回收至符合环境保护规定的再循环机构。

用途

本工具用于木材、塑料、金属及涂漆表面大面积的砂磨操作。

电源

本工具只可连接电压与铭牌所示电压相同的电源，且仅可使用单相交流电源。本工具双重绝缘，因此也可用于不带接地线的插座。

电动工具通用安全警告

警告！ 阅读所有警告和所有说明。不遵照以下警告和说明会导致电击、着火和 / 或严重伤害。

保存所有警告和说明书以备查阅。

在所有下列的警告中术语“电动工具”指市电驱动（有线）电动工具或电池驱动（无线）电动工具。

工作场地的安全

1. 保持工作场地清洁和明亮。混乱和黑暗的场地会引发事故。
2. 不要在易爆环境，如有易燃液体、气体或粉尘的环境下操作电动工具。电动工具产生的火花会点燃粉尘或气体。
3. 让儿童和旁观者离开后操作电动工具。注意力不集中会使操作者失去对工具的控制。

电气安全

4. 电动工具插头必须与插座相配。绝不能以任何方式改装插头。需接地的电动工具不能使用任何转换插头。未经改装的插头和相配的插座将减少电击危险。
5. 避免人体接触接地表面，如管道、散热片和冰箱。如果你身体接地会增加电击危险。
6. 不得将电动工具暴露在雨中或潮湿环境中。水进入电动工具将增加电击危险。

7. 不得滥用电线。绝不能用电线搬运、拉动电动工具或拔出其插头。使电线远离热源、油、锐边或运动部件。受损或缠绕的软线会增加电击危险。
8. 当在户外使用电动工具时，使用适合户外使用的外接软线。适合户外使用的软线将减少电击危险。
9. 如果在潮湿环境下操作电动工具是不可避免的，应使用剩余电流动作保护器（RCD）。使用RCD可减少电击危险。
10. 始终建议通过额定剩余电流为30mA或以下的RCD来使用电源。

人身安全

11. 保持警觉，当操作电动工具时关注所从事的操作并保持清醒。当你感到疲倦，或在有药物、酒精或治疗反应时，不要操作电动工具。在操作电动工具时瞬间的疏忽会导致严重人身伤害。
12. 使用个人防护装置。始终佩戴护目镜。安全装置，诸如适当条件下使用防尘面具、防滑安全鞋、安全帽、听力防护等装置能减少人身伤害。
13. 防止意外启动。确保开关在连接电源和/或电池盒、拿起或搬运工具时处于关断位置。手指放在已接通电源的开关上或开关处于接通时插入插头可能会导致危险。
14. 在电动工具接通之前，拿掉所有调节钥匙或扳手。遗留在电动工具旋转零件上的扳手或钥匙会导致人身伤害。
15. 手不要伸展得太长。时刻注意立足点和身体平衡。这样在意外情况下能很好地控制电动工具。
16. 着装适当。不要穿宽松衣服或佩戴饰品。让衣服、手套和头发远离运动部件。宽松衣服、配饰或长发可能会卷入运动部件中。
17. 如果提供了与排屑、集尘设备连接用的装置，要确保他们连接完好且使用得当。使用这些装置可减少尘屑引起的危险。

电动工具使用和注意事项

18. 不要滥用电动工具，根据用途使用适当的电动工具。选用适当设计的电动工具会使你工作更有效、更安全。
19. 如果开关不能接通或关断工具电源，则不能使用该电动工具。不能用开关来控制的电动工具是危险的且必须进行修理。
20. 在进行任何调节、更换附件或贮存电动工具之前，必须从电源上拔掉插头和/或使电池盒与工具脱开。这种防护性措施将减少工具意外启动的危险。

21. 将闲置不用的电动工具贮存在儿童所及范围之外，并且不要让不熟悉电动工具或对这些说明不了解的人操作电动工具。电动工具在未经培训的用户手中是危险的。
22. 保养电动工具。检查运动件是否调整到位或卡住，检查零件破损情况和影响电动工具运行的其他状况。如有损坏，电动工具应在使用前修理好。许多事故由维护不良的电动工具引发。
23. 保持切削刀具锋利和清洁。保养良好的有锋利切削刃的刀具不易卡住而且容易控制。
24. 按照使用说明书，考虑作业条件和进行的作业来使用电动工具、附件和工具的刀头等。将电动工具用于那些与其用途不符的操作可能会导致危险。

维修

25. 将你的电动工具送交专业维修人员，使用同样的备件进行修理。这样将确保所维修的电动工具的安全性。
26. 上润滑油及更换附件时请遵循本说明书指示。
27. 手柄务必保持干燥、清洁、无油（脂）。

盘式砂光机使用安全警告

一般用于砂磨操作的安全警告：

1. 本电动工具设计用于砂磨操作。请阅读本电动工具附带的所有安全警告、说明、插图和规格。若不遵循下列说明，则可能导致触电、起火和/或严重的人身伤害。
2. 最好不要将本电动工具用于磨削、钢丝刷清理、抛光或切割等操作。进行非本工具设计用途的操作可能会有危险并导致人身伤害。
3. 请勿使用非专用的或未得到工具制造商推荐的附件。这样的附件虽然可安装到电动工具上，但无法确保操作安全。
4. 附件的额定速度必须至少等同于电动工具上标示的最大速度。当运转速度大于额定速度时，附件可能会破裂并飞出。
5. 附件的外径和厚度必须在工具的额定能力之内。尺寸不正确的附件将无法安全操控。
6. 螺纹安装的配件必须符合工具的主轴螺纹。对于使用法兰安装的配件，附件的轴孔必须符合法兰的定位直径。与本电动工具的安装硬件不匹配的附件将失去平衡，振动过度并可能导致失控。

7. 请勿使用损坏的附件。每次使用之前，请检查垫片等附件是否有裂痕、破损或过度磨损。如果工具或附件掉落，请检查有无损坏或重新安装一个未损坏的附件。检查和安装了附件之后，请使旁观者以及您自己远离旋转的附件，并以最大空载速度运行工具一分钟。损坏的附件通常会在此测试期间破裂。
8. 请穿戴个人劳防用品。根据应用情况，请使用面罩、安全护目镜或安全眼镜。根据情况佩带可防止较小的砂磨碎片或工件碎片的防尘面罩、耳罩、手套和车间用的围裙。护目镜必须具备可以防止多种操作所产生的飞溅的碎片伤害到您的能力。防尘面罩或呼吸器必须具备可过滤操作中产生的微粒的能力。长时间的高强度噪音可能会损伤您的听力。
9. 使旁观者远离工作区域，保持一定的安全距离。所有进入工作区域的人员必须穿戴个人劳防用品。工件的碎片或破损的附件可能会飞溅到操作区域以外并导致人身伤害。
10. 勿使工具导线靠近旋转附件。否则线头可能会被切割到或卡住，从而可能使您的手或手臂被拖入旋转附件中。
11. 在附件完全停止之前切勿将工具放下。旋转附件可能会碰撞地面或工作台面而导致工具失控。
12. 您身边携带电动工具时请勿运行工具。防止因不小心接触到旋转附件而导致衣物被卷入，甚至伤及身体。
13. 请定期清洁工具的通风口。电机的风扇会将灰尘带入外壳，过多的金属粉末累积会导致电气危害。
14. 请勿在可燃物附近运行电动工具。火花可能会点燃这些物品。
15. 请勿使用需要冷却液的附件。使用水或其他冷却液可能会导致触电或死亡。

反弹和相关警告

反弹是正在旋转的砂轮、垫片、钢丝刷或其他配件卡滞或卡滞时突然产生的反作用力。卡滞会导致旋转配件的快速停止，从而导致在卡滞点处对失控的工具产生与配件旋转方向相反的作用力。

电动工具误操作和 / 或不正确的操作步骤或操作条件将导致反弹，遵守以下所述的注意事项即可避免。

- a) 请牢固握持握电动工具的把手，调整身体和手臂位置以防止反弹力。如果提供了辅助手柄，请务必使用，以在启动时最大程度地控制反弹或转矩反作用力。如果正确遵守注意事项，操作者可控制转矩反作用力或反弹力。
- b) 切勿将手靠近旋转的附件。附件可能会反弹到您手上。
- c) 请勿置身于发生反弹时电动工具可能移动的区域。反弹会在卡滞点处以与砂轮运动方向相反的力作用于砂轮。
- d) 当处理边角、锐利的边缘等处时请特别小心。避免使附件跳跃和卡滞。边角、锐利的边缘或附件发生跳跃可能会使旋转的附件被钩住并导致工具失控或反弹。
- e) 请勿安装锯链木雕锯片或齿状锯片。这些锯片会发生频繁的反弹并导致工具失控。

专用于砂磨操作的安全警告：

- a) 请勿使用尺寸过大的砂纸。选择砂纸时请遵照制造商的推荐。大于砂盘的砂纸会有破裂的危险并可能导致砂轮片的卡滞、破裂或反弹。

附加安全警告：

16. 某些材料含有有毒化学物质。小心不要吸入粉尘，并避免皮肤接触。遵循材料供应商的安全提示。
17. 进行砂磨操作时，请对工作区进行足够的通风。
18. 使用本工具打磨某些产品、油漆和木材时，使用者会接触到含有有毒物质的粉尘。请采取正确的呼吸保护措施。
19. 打开开关前，请确保砂轮片未与工件接触。
20. 运行中的工具不可离手放置。只可在手握工具的情况下操作工具。
21. 操作之后，请勿立刻触摸工件，因为其可能会非常烫，导致烫伤皮肤。
22. 检查并确认工件被正确支撑。
23. 如果工作场所非常热并且潮湿，或者被导电灰尘严重污染，请使用短路断路器（30 mA）以保障操作者的人身安全。

24. 请勿在任何含有石棉的材料上使用本工具。

请保留此说明书。

警告： 请勿为图方便或因对产品足够熟悉（由于重复使用而获得的经验）而不严格遵循相关产品安全规则。使用不当或不遵循使用说明书中的安全规则会导致严重的人身伤害。

功能描述

小心：

- 在调节或检查工具功能之前，请务必关闭工具电源开关并拔下电源插头。

开关操作

► **图片1:** 1. 锁定按钮 2. 开关扳机

小心：

- 插上工具电源插头之前，请务必确认开关扳机能够正常工作，松开时能回到“OFF”（关闭）位置。
- 长时间使用时，可将开关锁定在“ON”（开启）位置，使操作更加舒适。将工具锁定在“ON”（开启）位置时，请小心并务必抓牢工具。

启动工具时，只需扣动开关扳机即可。松开开关扳机工具即停止。

连续操作时，扣动开关扳机并按下锁定按钮。若要从锁定位置停止工具时，可将开关扳机扣到底，然后松开。

装配

小心：

- 对工具进行任何装配操作前请务必确认机器已关闭且已拔下电源插头。

安装侧把手（辅助手柄）

► **图片2:** 1. 侧把手

小心：

- 在进行操作之前，请务必将侧把手牢固地安装在工具上。

将侧把手牢固安装在工具上。

安装或拆卸砂轮机

► **图片3:** 1. 锁紧螺母 2. 砂轮机 3. 橡胶垫 4. 主轴

在主轴上安装橡胶垫。将砂轮机安装在橡胶垫上，再将锁紧螺母拧紧在主轴上。

拧紧锁紧螺母时，需用扳手固定主轴以防主轴转动，然后用锁紧螺母扳手按顺时针拧紧。

► **图片4:** 1. 锁紧螺母扳手 2. 扳手

要拆下砂轮机时，请按与安装时相反的步骤进行。

操作

砂磨操作

► **图片5**

小心：

- 操作时请务必佩戴护目镜或口罩。
- 切勿在未安装砂轮机时运转工具，否则可能会严重损坏垫片。

进行操作时，务必一手握住工具的把手部分，另一只手握住工具的侧把手，将工具握紧。打开工具开关，然后使用砂轮机加工工件。通常砂轮机应与工件表面保持约 15° 的角度。只能施加较小的压力。压力过大会导致性能不良并使砂轮机过早磨损。

保养

小心：

- 检查或保养工具之前，请务必关闭工具电源开关并拔下插头。
- 切勿使用汽油、苯、稀释剂、酒精或类似物品清洁工具。否则可能会导致工具变色、变形或出现裂缝。

更换碳刷

► **图片6:** 1. 界限磨耗线

定期拆下碳刷进行检查。在碳刷磨损到界限磨耗线时进行更换。请保持碳刷清洁并使其在碳刷夹内能自由滑动。两个碳刷应同时更换。请仅使用相同的碳刷。

使用螺丝刀拆下碳刷夹盖。取出已磨损的碳刷，插入新的碳刷，然后紧固碳刷夹盖。

► **图片7:** 1. 螺丝刀 2. 碳刷夹盖

为了保证产品的安全性与可靠性，维修、任何其他维修保养或调节需由Makita（牧田）授权的维修服务中心完成。务必使用Makita（牧田）的替换部件。

选购附件

小心：

- 这些附件或装置专用于本说明书所列的Makita（牧田）电动工具。其他附件或装置的使用可能会有人身伤害风险。仅可将附件或装置用于规定目的。

如您需要了解更多关于这些选购附件的信息，请咨询当地的Makita（牧田）维修服务中心。

- 橡胶垫
- 砂轮片
- 锁紧螺母
- 17号扳手
- 把手36
- 锁紧螺母扳手28

注：

- 本列表中的一些部件可能作为标准配件包含于工具包装内。它们可能因销往国家之不同而异。

SPESIFIKASI

Model	9218SB
Diameter cakram abrasif	180 mm
Sikat kawat mangkuk	110 mm
Kecepatan terukur (n) / Kecepatan tanpa beban (n ₀)	4.900 min ⁻¹
Panjang keseluruhan	225 mm
Berat bersih	2,9 kg
Kelas keamanan	□/II

- Karena program penelitian dan pengembangan kami terus berlangsung, spesifikasi yang disebutkan di sini dapat berubah tanpa pemberitahuan.
- Spesifikasi dapat berbeda di setiap negara.
- Berat menurut Prosedur EPTA 01/2003

Simbol

Berikut akan ditunjukkan simbol yang digunakan untuk peralatan. Pastikan Anda memahami arti masing-masing simbol sebelum menggunakan alat.



Baca petunjuk penggunaan.



ISOLASI GANDA



Gunakan kaca mata pengaman.



Hanya untuk negara UE
Jangan membuang peralatan listrik bersama material limbah rumah tangga! Dengan memerhatikan Petunjuk Eropa tentang Limbah Peralatan Listrik dan Elektronik serta pelaksanaannya sesuai dengan ketentuan hukum nasional, peralatan listrik yang telah habis masa pakainya harus dikumpulkan secara terpisah dan dikembalikan ke fasilitas daur ulang yang kompatibel dengan lingkungan.

Penggunaan

Mesin ini digunakan untuk mengampelas permukaan yang luas pada bahan kayu, plastik dan logam serta permukaan yang dicat.

Pasokan daya

Mesin harus terhubung dengan pasokan daya listrik yang bervoltase sama dengan yang tertera pada pelat nama, dan hanya dapat dijalankan dengan listrik AC fase tunggal. Mesin diisolasi ganda sehingga dapat juga dihubungkan dengan soket tanpa kabel arde.

Peringatan Keselamatan Umum Mesin Listrik

⚠ PERINGATAN Bacalah semua peringatan keselamatan dan semua petunjuk. Kelalaian mematuhi peringatan dan petunjuk dapat menyebabkan sengatan listrik, kebakaran dan/atau cedera serius.

Simpanlah semua peringatan dan petunjuk untuk acuan di masa depan.

Istilah “mesin listrik” dalam semua peringatan mengacu pada mesin listrik yang dijalankan dengan sumber listrik jala-jala (berkabel) atau baterai (tanpa kabel).

Keselamatan tempat kerja

1. **Jaga tempat kerja selalu bersih dan berpenerangan cukup.** Tempat kerja yang berantakan dan gelap mengundang kecelakaan.
2. **Jangan gunakan mesin listrik dalam lingkungan yang mudah meledak, misalnya terdapat cairan, gas, atau debu yang mudah terbakar.** Mesin listrik menimbulkan bunga api yang dapat membakar debu atau uap tersebut.
3. **Jauhkan anak-anak dan orang lain saat menggunakan mesin listrik.** Jika perhatian terpecah, Anda mungkin saja kehilangan kendali.

Keamanan Kelistrikan

4. **Steker mesin listrik harus cocok dengan stopkontak. Jangan sekali-kali mengubah steker dengan cara apa pun. Jangan menggunakan steker adaptor dengan mesin listrik yang terbumi (dibumikan).** Steker yang tidak diubah dan stopkontak yang cocok akan mengurangi risiko sengatan listrik.
5. **Hindari sentuhan tubuh dengan permukaan yang terbumi atau dibumikan seperti pipa, radiator, kompor, dan kulkas.** Risiko sengatan listrik bertambah jika ada bagian tubuh Anda yang menyentuh bumi atau tanah.
6. **Jangan membiarkan mesin listrik kehujanan atau basah.** Air yang masuk ke dalam mesin listrik akan meningkatkan risiko sengatan listrik.
7. **Jangan menyalahgunakan kabel.** Jangan sekali-kali menggunakan kabel untuk membawa, menarik, atau mencabut mesin listrik dari stopkontak. Jauhkan kabel dari panas, minyak, tepian tajam, atau bagian yang bergerak. Kabel yang rusak atau kusut memperbesar risiko sengatan listrik.

8. **Jika menggunakan mesin listrik di luar ruangan, gunakan kabel ekstensi yang sesuai dengan penggunaan di luar ruangan.** Menggunakan kabel yang sesuai dengan penggunaan luar ruangan akan mengurangi risiko sengatan listrik.
9. **Jika mengoperasikan mesin listrik di lokasi lembap tidak terhindarkan, gunakan pasokan daya yang dilindungi peranti imbasan arus (residual current device - RCD).** Penggunaan RCD mengurangi risiko sengatan listrik.
10. **Disarankan untuk menggunakan pasokan daya melalui RCD dengan kapasitas arus sisa 30mA atau kurang.**
19. **Jangan menggunakan mesin listrik jika sakelar tidak dapat menyala dan memaatkannya.** Mesin listrik yang tidak dapat dikendalikan dengan sakelarnya akan berbahaya dan harus diperbaiki.
20. **Cabut steker dari sumber listrik dan/atau paket baterai dari mesin listrik sebelum melakukan penyetelan, penggantian aksesoris, atau menyimpan mesin listrik.** Langkah keselamatan preventif tersebut mengurangi risiko hidupnya mesin secara tak sengaja.

Keselamatan Diri

11. **Jaga kewaspadaan, perhatikan pekerjaan Anda dan gunakan akal sehat saat menggunakan mesin listrik.** Jangan menggunakan mesin listrik saat Anda lelah atau di bawah pengaruh obat-obatan, alkohol, atau dalam masa pengobatan. Sesaat saja Anda lalai saat menggunakan mesin listrik dapat menyebabkan cedera badan serius.
12. **Gunakan alat pelindung diri. Selalu gunakan pelindung mata.** Penggunaan peralatan pelindung seperti masker debu, sepatu pengaman anti-selip, helm pengaman, atau pelindung telinga untuk kondisi yang sesuai akan mengurangi risiko cedera badan.
13. **Cegah penyalan yang tidak disengaja. Pastikan bahwa sakelar berada dalam posisi mati (off) sebelum menghubungkan mesin ke sumber daya dan/atau paket baterai, mengangkat, atau membawanya.** Membawa mesin listrik dengan jari berada di sakelar atau mengalirkan listrik pada mesin listrik dengan sakelar hidup (on) akan mengundang kecelakaan.
14. **Lepaskan kunci-kunci penyetel sebelum menghidupkan mesin listrik.** Kunci-kunci yang masih terpasang pada bagian mesin listrik yang berputar dapat menyebabkan cedera.
15. **Jangan meraih terlalu jauh. Selalu jagalah pijakan dan keseimbangan.** Hal ini memungkinkan pengendalian mesin listrik yang lebih baik dalam situasi yang tidak diharapkan.
16. **Kenakan pakaian dengan baik. Jangan memakai pakaian yang kedodoran atau perhiasan. Jaga jarak antara rambut, pakaian, dan sarung tangan Anda dengan bagian mesin yang bergerak.** Pakaian kedodoran, perhiasan, atau rambut panjang dapat tersangkut pada bagian yang bergerak.
17. **Jika pada peranti tersedia fasilitas untuk menghisap dan mengumpulkan debu, pastikan fasilitas tersebut terhubung listrik dan digunakan dengan baik.** Penggunaan pembersih debu dapat mengurangi bahaya yang terkait dengan debu.
21. **Simpan mesin listrik jauh dari jangkauan anak-anak dan jangan biarkan orang yang tidak paham mengenai mesin listrik tersebut atau petunjuk ini untuk menggunakan mesin listrik.** Mesin listrik sangat berbahaya di tangan pengguna yang tidak terlatih.
22. **Rawatlah mesin listrik. Periksa apakah ada bagian bergerak yang tidak sejajar atau macet, bagian yang pecah, dan kondisi lain yang dapat memengaruhi penggunaan mesin listrik. Jika rusak, perbaiki mesin listrik terlebih dahulu sebelum digunakan.** Banyak kecelakaan disebabkan oleh kurangnya pemeliharaan mesin listrik.
23. **Jaga agar mesin pemotong tetap tajam dan bersih.** Mesin pemotong yang terawat baik dengan mata pemotong yang tajam tidak mudah macet dan lebih mudah dikendalikan.
24. **Gunakan mesin listrik, aksesoris, dan mata mesin, dll. berdasarkan petunjuk ini, dengan memperhitungkan kondisi kerja dan jenis pekerjaan yang dilakukan.** Pemakaian mesin listrik untuk penggunaan selain yang diperuntukkan dapat menimbulkan situasi berbahaya.

Servis

25. **Bawa mesin listrik untuk diperbaiki hanya kepada oleh teknisi yang berkualifikasi menggunakan hanya suku cadang pengganti yang serupa.** Hal ini akan menjamin terjaganya keamanan mesin listrik.
26. **Patuhi petunjuk pelumasan dan penggantian aksesoris.**
27. **Jagalalah agar gagang kering, bersih, serta bebas dari minyak dan gemuk.**

PERINGATAN KESELAMATAN MESIN AMPELAS CAKRAM

Peringatan Keselamatan Umum untuk Pekerjaan Pengampelasan:

1. **Mesin listrik ini berfungsi sebagai mesin ampelas. Bacalah semua peringatan keselamatan, petunjuk, ilustrasi dan spesifikasi yang disertakan bersama mesin listrik ini.** Kelalaian untuk mematuhi semua petunjuk yang tercantum di bawah ini dapat menyebabkan sengatan listrik, kebakaran dan/atau cedera serius.

Penggunaan dan pemeliharaan mesin listrik

18. **Jangan memaksa mesin listrik. Gunakan mesin listrik yang tepat untuk keperluan Anda.** Mesin listrik yang tepat akan menuntaskan pekerjaan dengan lebih baik dan aman jika pada kecepatan sesuai rancangannya.

2. **Tidak dianjurkan menggunakan mesin listrik ini untuk melakukan pekerjaan seperti menggerinda, menyikat dengan kawat, memoles atau memotong.** Pekerjaan yang tidak sesuai dengan spesifikasi mesin listrik ini dapat menimbulkan bahaya dan menyebabkan cedera pada pengguna.
 3. **Jangan gunakan aksesoris yang tidak dirancang secara khusus dan dianjurkan oleh produsen mesin.** Hanya karena aksesoris tersebut dapat dipasang pada mesin listrik Anda, bukan berarti dapat menjamin keselamatan dalam pengoperasian.
 4. **Kecepatan terukur pada aksesoris setidaknya harus sama dengan kecepatan maksimum yang tertera pada mesin listrik.** Aksesoris yang bekerja lebih cepat dari kecepatan terukurnya dapat pecah dan terlontar.
 5. **Diameter luar dan tebal aksesoris Anda harus berada dalam nilai kapasitas mesin listrik Anda.** Aksesoris dengan ukuran yang tidak tepat tidak dapat dilindungi atau dikendalikan secara memadai.
 6. **Pemasangan aksesoris berulir harus sesuai dengan ulir spindel mesin. Untuk aksesoris yang dipasang menggunakan flensa, lubang arbor pada aksesoris harus cocok dengan diameter tempat pemasangan pada flensa.** Aksesoris yang tidak sesuai dengan perangkat keras pemasangan mesin listrik akan bekerja secara tidak seimbang, bergetar berlebihan dan dapat menyebabkan hilangnya kendali.
 7. **Jangan menggunakan aksesoris yang sudah rusak. Sebelum digunakan, selalu periksa aksesoris seperti bantalan belakang akan adanya keretakan, pecah atau keausan yang berlebihan. Jika mesin listrik atau aksesoris jatuh, periksa apakah terjadi kerusakan, atau pasang aksesoris yang tidak rusak. Setelah memeriksa dan memasang aksesoris, jauhkan posisi Anda dan orang di sekitar dari bidang aksesoris yang berputar dan jalankan mesin listrik pada kecepatan maksimum tanpa beban selama satu menit.** Aksesoris yang rusak umumnya akan pecah selama waktu pengujian ini.
 8. **Kenakan alat pelindung diri. Tergantung pekerjaannya, gunakan pelindung muka, kaca mata pelindung atau kacamata pelindung. Sesuai dengan pekerjaannya, kenakan masker debu, pelindung telinga, sarung tangan, dan apron bingkai yang mampu menahan debu gerinda atau serpihan benda kerja.** Pelindung mata harus mampu menahan debu yang berhamburan, yang ditimbulkan dari berbagai jenis pekerjaan. Masker debu atau alat pernapasan harus mampu menyaring partikel yang dihasilkan dari pekerjaan Anda. Paparan berkepanjangan terhadap kebisingan berintensitas tinggi dapat menyebabkan hilangnya pendengaran.
 9. **Jaga agar orang di sekitar berada dalam jarak aman yang jauh dari area kerja. Siapa pun yang masuk ke area kerja harus mengenakan perlengkapan pelindung diri.** Potongan benda kerja atau dari aksesoris yang rusak mungkin saja terlempar dan menyebabkan cedera di area yang langsung berdekatan dengan pekerjaan.
 10. **Posisikan kabel agar tidak terkena aksesoris yang berputar.** Jika Anda kehilangan kendali, kabel mungkin saja terpotong atau tersangkut dan tangan atau lengan Anda mungkin saja tertarik oleh aksesoris yang berputar.
 11. **Jangan sekali-kali meletakkan mesin listrik sebelum aksesorinya benar-benar berhenti.** Aksesoris yang berputar dapat menyambar permukaan dan menarik mesin listrik di luar kendali Anda.
 12. **Jangan menyalaikan mesin listrik sambil membawanya di sisi badan Anda.** Sentuhan yang tidak disengaja oleh aksesoris yang berputar dapat merobek pakaian Anda, yang akan menarik aksesoris ke arah badan Anda.
 13. **Bersihkan ventilasi udara mesin listrik secara rutin.** Kipas motor akan menarik debu ke dalam rumahannya, dan serbuk logam yang terkumpul secara berlebihan dapat menyebabkan bahaya listrik.
 14. **Jangan mengoperasikan mesin listrik di dekat benda-benda yang mudah terbakar.** Percikan apinya dapat menyulut benda-benda tersebut.
 15. **Jangan menggunakan aksesoris yang membutuhkan cairan pendingin.** Menggunakan air atau cairan pendingin lain dapat mengakibatkan kematian akibat sengatan listrik.
- Hentikan balik dan Peringatan Terkait**
Hentikan balik merupakan reaksi tiba-tiba akibat terjepit atau tersangkutnya roda yang berputar, bantalan belakang, sikat atau aksesoris lainnya. Kondisi terjepit atau tersangkut akan menyebabkan aksesoris yang berputar akan berhenti dengan cepat yang kemudian berubah mengakibatkan terdorongnya mesin listrik yang tak terkendali ke arah yang berlawanan dengan putaran aksesoris di titik tempat aksesoris tersebut terjepit.
Hentikan balik merupakan akibat dari salah cara menggunakan mesin listrik dan/atau prosedur atau kondisi pengoperasian yang salah dan dapat dihindari dengan melakukan tindakan kewaspadaan yang tepat sebagaimana diuraikan di bawah ini.
- a) **Pertahankan genggamannya yang kuat pada mesin listrik serta posisi badan dan lengan Anda agar memungkinkan Anda untuk menahan gaya hentikan balik. Selalu gunakan pegangan tambahan, bila tersedia, untuk mengendalikan hentikan balik atau reaksi torsi secara maksimum selama mesin mulai dihidupkan.** Jika tindakan kewaspadaan yang tepat dilakukan, operator dapat mengendalikan reaksi torsi atau gaya hentikan balik.
 - b) **Jangan sekali-kali memosisikan tangan Anda di dekat aksesoris yang berputar.** Aksesoris mungkin saja mengentak balik ke arah tangan Anda.

c) Jangan memosisikan badan Anda di area tempat mesin listrik akan bergerak bila terjadi hentakan balik. Hentakan balik akan memutar mesin dalam arah yang berlawanan dengan gerakan roda di titik tempat roda tersebut tersangkut.

d) Sangatlah berhati-hati saat bekerja di area sudut, tepi yang tajam dll. Hindari jangan sampai aksesoris memantul atau tersangkut. Area sudut, tepi yang tajam, atau pantulan cenderung menyebabkan aksesoris yang berputar tersangkut dan menyebabkan kehilangan kendali atau timbulnya hentakan balik.

e) Jangan memasang mata rantai gergaji atau mata gergaji bergerigi. Mata pisau seperti ini menghasilkan hentakan balik berkali-kali dan menyebabkan hilangnya kendali.

Peringatan Keselamatan Khusus untuk Pekerjaan Pengampelasan:

a) Jangan menggunakan kertas cakram ampelas yang ukurannya terlalu besar. Ikuti rekomendasi pabrik saat memilih kertas ampelas. Kertas ampelas yang lebih besar melebihi bantalan ampelas akan menimbulkan bahaya cedera dan bisa menyebabkan tersangkut, pecahnya cakram atau terjadinya hentakan balik.

Peringatan keselamatan tambahan:

16. Bahan tertentu mengandung zat kimia yang mungkin beracun. Hindari menghirup debu dan kontak dengan kulit. Ikuti data keselamatan bahan dari pemasok.
17. Beri ruang udara secukupnya ketika Anda melakukan pekerjaan pengampelasan.
18. Penggunaan mesin ini untuk mengampelas produk, cat, dan kayu dapat menyebabkan pengguna menghirup debu yang mengandung zat berbahaya. Gunakan alat pelindung pernapasan yang sesuai.
19. Pastikan bahwa cakram abrasif tidak menyentuh benda kerja sebelum sakelar dinyalakan.
20. Jangan tinggalkan mesin dalam keadaan hidup. Jalankan mesin hanya ketika digenggam dengan tangan.
21. Jangan menyentuh benda kerja segera setelah pengoperasian; suhunya mungkin masih sangat panas dan dapat membakar kulit Anda.
22. Periksa apakah benda kerja telah ditopang dengan baik.
23. Jika tempat kerja sangat panas dan lembap, sangat kotor oleh debu konduktif, gunakan pemutus daya (30 mA) untuk menjamin keselamatan operator.
24. Jangan menggunakan mesin pada bahan yang mengandung asbestos.

SIMPAN PETUNJUK INI.

PERINGATAN: JANGAN biarkan kenyamanan atau kebiasanya Anda dengan produk (karena penggunaan berulang) mengurangi kepatuhan yang ketat terhadap aturan keselamatan untuk produk yang terkait. **PENYALAHGUNAAN** atau kelalaian dalam mematuhi aturan keselamatan yang tertera pada petunjuk ini dapat menyebabkan cedera badan serius.

DESKRIPSI FUNGSI

PERHATIAN:

- Selalu pastikan bahwa mesin dalam keadaan mati dan steker tercabut sebelum menyatel atau memeriksa kerja mesin.

Kerja sakelar

► **Gbr.1:** 1. Tombol kunci 2. Pelatuk sakelar

PERHATIAN:

- Sebelum memasukkan steker, selalu periksa apakah pelatuk sakelar berfungsi dengan baik dan kembali ke posisi "OFF" saat dilepas.
- Sakelar dapat dikunci dalam posisi "ON" untuk memberikan kenyamanan bagi operator selama penggunaan dalam jangka waktu lama. Selalu berhati-hatilah saat mengunci mesin dalam posisi "ON", dan pegang mesin kuat-kuat.

Untuk menjalankan mesin, cukup tarik pelatuk sakelar. Lepaskan pelatuk sakelar untuk berhenti. Untuk penggunaan terus-menerus, tarik pelatuk sakelar dan kemudian tekan tombol kunci. Untuk membuka penguncian mesin, tarik pelatuk sakelar sampai penuh, lalu lepaskan.

PERAKITAN

PERHATIAN:

- Pastikan bahwa mesin dalam keadaan mati dan steker tercabut sebelum melakukan pekerjaan apa pun pada mesin.

Memasang gagang sisi (pegangan tambahan)

► **Gbr.2:** 1. Gagang sisi

PERHATIAN:

- Selalu pastikan bahwa gagang sisi terpasang dengan kuat sebelum penggunaan.

Pasang gagang sisi pada mesin dengan menggunakan sekrup.

Memasang atau melepas cakram abrasif

- **Gbr.3:** 1. Mur kunci 2. Cakram abrasif 3. Bantalan karet 4. Spindel

Pasang bantalan karet pada spindel. Pasang cakram abrasif pada bantalan karet dan kencangkan mur kunci pada spindel.

Untuk mengencangkan mur kunci, tahan spindel menggunakan kunci pas agar tidak berputar, kemudian gunakan kunci pas mur kunci dan kencangkan kuat-kuat searah jarum jam.

- **Gbr.4:** 1. Kunci pas mur kunci 2. Kunci pas

Untuk melepas cakram, lakukan prosedur pemasangan dalam urutan terbalik.

PENGGUNAAN

Penggunaan ampelas

- **Gbr.5**

PERHATIAN:

- Selalu gunakan kaca mata pelindung atau pelindung muka selama pengoperasian.
- Jangan sekali-kali menyalakan mesin tanpa cakram abrasif. Anda dapat merusak bantalan dengan serius.

Pegang mesin kuat-kuat dengan satu tangan pada bagian genggam mesin sementara tangan yang lain pada gagang sisi ketika menjalankan mesin. Hidupkan mesin, kemudian tekan cakram abrasif pada benda kerja.

Secara umum, pertahankan cakram abrasif pada sudut sekitar 15 derajat terhadap permukaan benda kerja. Beri tekanan sedikit saja. Tekanan yang berlebihan akan mengakibatkan menurunnya kinerja dan terjadinya keausan dini pada cakram abrasif.

PERAWATAN

PERHATIAN:

- Selalu pastikan bahwa mesin dimatikan dan steker dicabut sebelum melakukan pemeriksaan atau perawatan.
- Jangan sekali-kali menggunakan benzena, tiner, alkohol, atau bahan sejenisnya. Penggunaan bahan tersebut dapat menyebabkan perubahan warna, perubahan bentuk, atau timbulnya retakan.

Mengganti sikat karbon

- **Gbr.6:** 1. Tanda batas

Lepas dan periksa sikat karbon secara teratur. Lepas ketika aus sampai tanda batas. Jaga agar sikat karbon tetap bersih dan tidak bergeser dari penahan. Kedua sikat karbon harus diganti pada waktu yang sama. Hanya gunakan sikat karbon yang sama.

Gunakan obeng untuk melepas tutup tempat sikat. Tarik keluar sikat karbon yang aus, masukkan yang baru dan pasang tutup tempat sikat.

- **Gbr.7:** 1. Obeng 2. Tutup tempat sikat

Untuk menjaga KEAMANAN dan KEANDALAN produk, perbaikan, perawatan lain, atau penyetelan harus dilakukan oleh Pusat Layanan Resmi Makita dan selalu gunakan suku cadang pengganti buatan Makita.

AKSESORI PILIHAN

PERHATIAN:

- Dianjurkan untuk menggunakan aksesoris atau perangkat tambahan ini dengan mesin Makita Anda yang ditentukan dalam petunjuk ini. Penggunaan aksesoris atau perangkat tambahan lain bisa menyebabkan risiko cedera pada manusia. Hanya gunakan aksesoris atau perangkat tambahan yang sesuai dengan tujuan yang telah ditetapkan.

Jika Anda memerlukan bantuan lebih terperinci berkenaan dengan aksesoris ini, tanyakan pada Pusat Layanan Makita terdekat.

- Bantalan karet
- Cakram abrasif
- Mur kunci
- Kunci pas 17
- Gagang 36
- Kunci pas mur kunci 28

CATATAN:

- Beberapa item dalam daftar tersebut mungkin sudah termasuk dalam paket mesin sebagai aksesoris standar. Hal tersebut dapat berbeda dari satu negara ke negara lainnya.

SPEKIFIKASI

Model	9218SB
Diameter cakera lelas	180 mm
Berus cawan wayar	110 mm
Kelajuan terkadar (n) / Kelajuan tanpa beban (n ₀)	4,900 min ⁻¹
Panjang keseluruhan	225 mm
Berat bersih	2.9 kg
Kelas keselamatan	□/II

- Disebabkan program penyelidikan dan pembangunan kami yang berterusan, spesifikasi yang terkandung di dalam ini adalah tertakluk kepada perubahan tanpa notis.
- Spesifikasi mungkin berbeza mengikut negara.
- Berat mengikut Prosedur EPTA 01/2003

Simbol

Berikut menunjukkan simbol-simbol yang digunakan untuk alat ini. Pastikan anda memahami maksudnya sebelum menggunakan.



Baca manual arahan.



PENEBATAN BERGANDA



Pakai cermin mata keselamatan.



Hanya untuk negara-negara Kesatuan Eropah
 Jangan buang peralatan elektrik bersama bahan buangan isi rumah!
 Dalam mematuhi Arahan Eropah mengenai Sisa Peralatan Elektrik dan Elektronik serta pelaksanaannya mengikut undang-undang negara, peralatan elektrik yang telah mencapai akhir hayatnya mesti dikumpul secara berasingan dan dikembalikan ke kemudahan kitar semula yang bersesuaian dengan alam sekitar.

Tujuan penggunaan

Alat ini bertujuan untuk menggilap permukaan luas bahan kayu, plastik dan logam dan juga permukaan bercat.

Bekalan kuasa

Alat ini perlu disambungkan hanya kepada bekalan kuasa dengan voltan yang sama seperti yang ditunjukkan pada papan nama, dan hanya boleh dikendalikan pada bekalan AC fasa tunggal. Ia mempunyai penebatan berganda dan oleh itu, ia juga boleh digunakan dari soket tanpa wayar bumi.

Amaran Keselamatan Umum Alat Kuasa

⚠️ AMARAN Baca semua amaran keselamatan dan semua arahan. Kegagalan mematuhi amaran dan arahan boleh menyebabkan kejutan elektrik, kebakaran dan/atau kecederaan serius.

Simpan semua amaran dan arahan untuk rujukan masa depan.

Istilah "alat kuasa" dalam amaran merujuk kepada alat kuasa yang menggunakan tenaga elektrik (dengan kord) atau alat kuasa yang menggunakan bateri (tanpa kord).

Keselamatan kawasan kerja

1. **Pastikan kawasan kerja bersih dan terang.** Kawasan berselerak atau gelap mengundang kemalangan.
2. **Jangan kendalikan alat kuasa dalam keadaan yang mudah meletup, seperti dalam kehadiran cecair, gas atau habuk yang mudah terbakar.** Alat kuasa menghasilkan percikan api yang boleh menyalakan debu atau wasap.
3. **Jauhkan kanak-kanak dan orang ramai semasa mengendalikan alat kuasa.** Gangguan boleh menyebabkan anda hilang kawalan.

Keselamatan elektrik

4. **Palam alat kuasa mesti sepadan dengan soket. Jangan ubah suai palam dalam apa cara sekalipun. Jangan gunakan sebarang palam penyesuai dengan alat kuasa terbumi.** Palam yang tidak diubah suai dan soket yang sepadan akan mengurangkan risiko kejutan elektrik.
5. **Elakkan sentuhan badan dengan permukaan terbumi, seperti paip, radiator, dapur dan peti sejuk.** Terdapat peningkatan risiko kejutan elektrik jika elektrik terbumi terkena badan anda.
6. **Jangan biarkan alat kuasa terkena hujan atau basah.** Air yang memasuki alat kuasa akan meningkatkan risiko kejutan elektrik.

7. **Jangan salah gunakan kord. Jangan gunakan kord untuk membawa, menarik atau mencabut palam alat kuasa. Jauhkan kord dari haba, minyak, bucu tajam atau bahagian yang bergerak.** Kord yang rosak atau tersimpul meningkatkan risiko kejutan elektrik.
8. **Semasa mengendalikan alat kuasa di luar, gunakan kord sambungan yang bersesuaian untuk kegunaan luar.** Penggunaan kord yang sesuai untuk kegunaan luar mengurangkan risiko kejutan elektrik.
9. **Sekiranya pengendalian alat kuasa di lokasi lembap tidak dapat dielakkan, gunakan bekalan peranti arus sisa (RCD) yang dilindungi.** Penggunaan RCD mengurangkan risiko kejutan elektrik.
10. **Penggunaan bekalan kuasa melalui RCD dengan arus sisa yang bernilai 30 mA atau kurang sentiasa disyorkan.**

Keselamatan diri

11. **Sentiasa berwaspada, perhatikan apa yang anda lakukan dan guna akal budi semasa mengendalikan alat kuasa. Jangan gunakan alat kuasa semasa anda letih atau di bawah pengaruh dadah, alkohol atau ubat.** Kelekaan seketika semasa mengendalikan alat kuasa boleh menyebabkan kecederaan diri yang serius.
12. **Gunakan peralatan pelindung diri. Sentiasa pakai pelindung mata.** Peralatan pelindung seperti topeng debu, kasut keselamatan tak mudah tergelincir, topi keselamatan atau pelindung pendengaran yang digunakan untuk keadaan yang sesuai akan mengurangkan kecederaan diri.
13. **Elakkan permulaan yang tidak disengajakan. Pastikan suis ditutup sebelum menyambung kepada sumber kuasa dan/atau pek bateri, semasa mengangkat atau membawa alat.** Membawa alat kuasa dengan jari anda pada suis atau alat kuasa dengan suis pada kedudukan hidup mengundang kemalangan.
14. **Alihkan sebarang kunci atau sepana pelaras sebelum menghidupkan alat kuasa.** Sepana atau kunci yang ditinggalkan pada bahagian berputar alat kuasa boleh menyebabkan kecederaan diri.
15. **Jangan lampau jangkau. Jaga pijakan dan keseimbangan yang betul pada setiap masa.** Ini membolehkan kawalan alat kuasa yang lebih baik dalam situasi yang tidak dijangka.
16. **Berpakaian dengan betul. Jangan pakai pakaian yang longgar atau barang kemas. Jauhkan rambut, pakaian, dan sarung tangan anda dari bahagian yang bergerak.** Pakaian longgar, barang kemas atau rambut yang panjang boleh terperangkap dalam bahagian yang bergerak.
17. **Jika peranti disediakan untuk sambungan kemudahan pengekstrakan dan pengumpulan habuk, pastikan ia disambung dan digunakan dengan betul.** Penggunaan pengumpulan habuk boleh mengurangkan bahaya berkaitan habuk.

Penggunaan dan penjagaan alat kuasa

18. **Jangan gunakan alat kuasa dengan kasar. Gunakan alat kuasa yang betul untuk penggunaan anda.** Alat kuasa yang betul akan melakukan tugas dengan lebih baik dan lebih selamat pada kadar mana ia direka cipta.
19. **Jangan gunakan alat kuasa jika suis tidak berfungsi untuk menghidupkan dan mematikannya.** Alat kuasa yang tidak dapat dikawal dengan suis adalah berbahaya dan mesti dibaiki.
20. **Cabut palam dari sumber kuasa dan/atau pek bateri dari alat kuasa sebelum membuat sebarang pelarasan, menukar aksesori, atau menyimpan alat kuasa.** Langkah-langkah keselamatan pencegahan sedemikian mengurangkan risiko memulakan alat kuasa secara tidak sengaja.
21. **Simpan alat kuasa yang tidak digunakan jauh dari jangkauan kanak-kanak dan jangan biarkan orang yang tidak biasa dengan alat kuasa atau arahan ini untuk mengendalikan alat kuasa.** Alat kuasa adalah berbahaya di tangan pengguna yang tidak terlatih.
22. **Menyelenggara alat kuasa. Periksa salah jajaran atau ikatan pada bahagian yang bergerak, bahagian yang pecah dan apa-apa keadaan lain yang boleh menjejaskan operasi alat kuasa. Jika rosak, baiki alat kuasa sebelum digunakan.** Kebanyakan kemalangan adalah disebabkan oleh alat kuasa yang tidak dijaga dengan baik.
23. **Pastikan alat pemotong tajam dan bersih.** Alat pemotong yang dijaga dengan betul dengan hujung pemotong yang tajam mempunyai kemungkinan yang rendah untuk terikat dan lebih mudah dikendalikan.
24. **Gunakan alat kuasa, aksesori dan alat bit dan sebagainya mengikut arahan ini dengan mengambil kira keadaan kerja dan kerja yang perlu dilakukan.** Penggunaan alat kuasa untuk operasi yang berbeza dari yang dimaksudkan boleh menyebabkan keadaan berbahaya.

Servis

25. **Pastikan alat kuasa anda diservis oleh orang yang berkelayakan dengan hanya menggunakan alat ganti yang sama.** Ini akan memastikan keselamatan alat kuasa dapat dikekalkan.
26. **Ikut arahan untuk melincir dan menukar aksesori.**
27. **Pastikan pemegang sentiasa kering, bersih dan bebas dari minyak dan gris.**

AMARAN KESELAMATAN PELELAS CAKERA

Amaran Keselamatan Umum untuk Operasi Pengempelasan:

- 1. Alat kuasa ini bertujuan untuk berfungsi sebagai pelelas. Baca semua amaran keselamatan, arahan, ilustrasi dan spesifikasi yang disediakan dengan alat kuasa ini.** Kegagalan mengikuti semua arahan yang disenaraikan di bawah boleh menyebabkan kejutan elektrik, kebakaran dan/atau kecederaan serius.
- 2. Operasi seperti pengisaran, pemberusan wayar, penggilapan atau pematongan tidak disyorkan untuk dilakukan dengan alat kuasa ini.** Operasi yang tidak direka bentuk untuk alat kuasa ini boleh menyebabkan bahaya dan kecederaan diri.
- 3. Jangan gunakan aksesori yang tidak direka secara khusus dan disyorkan oleh pengilang alat.** Hanya kerana aksesori boleh dipasang pada alat kuasa anda, itu tidak menjamin operasi yang selamat.
- 4. Kelajuan kadaran aksesori mesti sekurang-kurangnya sama seperti kelajuan maksimum yang ditandakan pada alat kuasa.** Aksesori yang beroperasi lebih laju daripada kelajuan kadarannya boleh pecah dan berkecai.
- 5. Diameter luar dan ketebalan aksesori anda mesti dalam perbandingan kapasiti alat kuasa anda.** Aksesori dengan saiz yang tidak betul tidak boleh dijaga atau dikawal dengan secukupnya.
- 6. Pelekapan berulir aksesori mesti sepadan dengan ulir spindel alat. Untuk aksesori yang dilekapkan dengan bebibir, lubang arbor aksesori mesti sesuai dengan diameter penempat bebibir.** Aksesori yang tidak sepadan dengan perkakasan pelekapan alat kuasa akan tidak seimbang, bergetar secara berlebihan dan boleh menyebabkan hilang kawalan.
- 7. Jangan gunakan aksesori yang rosak. Sebelum setiap penggunaan, periksa aksesori seperti pad penyokong untuk retak, lusuh atau haus berlebihan. Jika alat kuasa atau aksesori terjatuh, periksa untuk mengesan kerosakan atau pasang aksesori yang tidak rosak. Selepas pemeriksaan dan pemasangan aksesori, jauhkan diri anda dan orang ramai daripada satah aksesori yang berputar dan jalankan alat kuasa pada kelajuan tanpa beban maksimum selama seminit.** Aksesori yang rosak biasanya akan pecah berderai sepanjang tempoh ujian ini.
- 8. Pakai peralatan pelindung diri. Bergantung kepada penggunaan, gunakan pelindung muka, gogal keselamatan atau cermin mata keselamatan. Sebagaimana yang sesuai, pakai topeng habuk, pelindung pendengaran, sarung tangan dan apron bengkel yang mampu menghalang serpihan pelelas atau bahan kerja yang kecil.** Pengadang mata mesti mampu menghalang serpihan yang terbang yang dihasilkan oleh pelbagai operasi. Topeng habuk atau alat pernafasan mesti mampu menapis zarah yang dihasilkan oleh operasi anda. Pendedahan yang berlanjutan kepada hingar dengan keamatan yang tinggi boleh menyebabkan hilang pendengaran.
- 9. Pastikan orang ramai berada pada jarak yang selamat dari kawasan kerja. Sesiapa sahaja yang memasuki kawasan kerja mesti memakai peralatan pelindung diri.** Serpihan bahan kerja atau aksesori yang pecah mungkin berterbangan dan menyebabkan kecederaan di luar kawasan operasi terdekat.
- 10. Jauhkan kord daripada aksesori yang berputar.** Jika anda hilang kawalan, kord boleh terpotong atau tersangkut dan tangan atau lengan anda boleh tertarik ke dalam aksesori yang berputar.
- 11. Jangan sekali-kali meletakkan alat kuasa ke bawah sehingga aksesori telah berhenti sepenuhnya.** Aksesori yang berputar boleh menyambar permukaan dan menarik alat kuasa daripada kawalan anda.
- 12. Jangan jalankan alat kuasa ketika membawanya di sisi anda.** Sentuhan secara tidak sengaja dengan aksesori yang berputar boleh menyebabkan pakaian anda tersangkut dan menarik aksesori ke badan anda.
- 13. Bersihkan dengan kerap bolong udara alat kuasa.** Kipas motor akan mengeluarkan habuk di dalam perumah dan pengumpulan logam serbuk yang berlebihan boleh menyebabkan bahaya elektrik.
- 14. Jangan kendalikan alat kuasa berhampiran bahan mudah terbakar.** Percikan boleh menyalakan bahan ini.
- 15. Jangan gunakan aksesori yang memerlukan bahan pendingin cecair.** Penggunaan air atau bahan pendingin cecair yang lain boleh menyebabkan renjatan elektrik.

Tolak Keluar dan Amaran Berkaitan

Tolak keluar ialah tindak balas tiba-tiba kepada roda berputar, pad penyokong, berus atau aksesori lain yang tersepit atau tersangkut. Jepitan dan sangkutan menyebabkan penegunaan pantas aksesori yang berputar yang menyebabkan alat kuasa tidak terkawal dan bertolak ke arah lawan putaran aksesori pada titik pengapitan.

Tolak keluar adalah akibat daripada penyalahgunaan alat kuasa dan/atau prosedur atau keadaan operasi yang tidak betul dan boleh dielakkan dengan mengambil langkah berjaga-jaga yang betul seperti yang diberikan di bawah.

a) **Kekalkan genggamannya yang kukuh pada alat kuasa dan pastikan kedudukan badan dan lengan anda membolehkan anda menahan daya tolak keluar. Sentiasa gunakan pemegang tambahan, jika disediakan, untuk kawalan maksimum terhadap tolak keluar atau tindak balas tork semasa permulaan.** Pengendali boleh mengawal tindak balas tork atau daya tolak keluar, jika langkah berjaga-jaga yang betul diambil.

b) **Jangan sekali-kali meletakkan tangan anda hampir dengan aksesori yang berputar.** Aksesori mungkin ditolak keluar ke atas tangan anda.

c) **Pastikan badan anda tidak berada di kawasan yang alat kuasa akan bergerak jika tolak keluar berlaku.** Tolak keluar akan mendorong alat ke arah bertentangan kepada pergerakan roda ketika aksesori tersangkut.

d) **Gunakan dengan lebih berhati-hati apabila bekerja di sudut, pinggir yang tajam dan dll. Elakkan aksesori daripada melantun dan tersangkut.** Sudut, pinggir yang tajam atau melantun mempunyai kecenderungan untuk menyebabkan aksesori berputar tersangkut dan menyebabkan hilang kawalan atau tolak keluar.

e) **Jangan pasang bilah ukiran kayu gergaji rantai atau bilah gergaji bergigi.** Bilah seperti ini akan kerap menghasilkan tolak keluar dan hilang kawalan.

Amaran Keselamatan Khusus untuk Operasi Pengempelasan:

a) **Jangan gunakan kerja cakera pemsiran yang terlalu besar secara berlebihan. Ikut pengesyoran pengilang, apabila memilih kertas pemsiran.** Kertas pemsiran lebih besar yang terkeluar daripada pad pemsiran akan mewujudkan bahaya melecet dan mungkin menyebabkan tersangkut dan mengoyakkan cakera atau tolak keluar.

Amaran keselamatan tambahan:

16. **Sesetengah bahan mengandungi bahan kimia yang mungkin toksik. Sila berhati-hati untuk mencegah penyedutan habuk dan sentuhan kulit. Ikut data keselamatan pembekal bahan.**
17. **Udarakan kawasan kerja anda secukupnya semasa anda menjalankan operasi pengempelasan.**
18. **Penggunaan alat ini untuk menggilap sesetengah produk, cat dan kayu boleh mendedahkan pengguna kepada habuk yang mengandungi bahan berbahaya. Gunakan pelindung pernafasan yang betul.**
19. **Pastikan cakeraelas tidak menyentuh bahan kerja sebelum suis dihidupkan.**

20. **Jangan tinggalkan alat yang sedang berjalan. Kendalikan alat hanya apabila dipegang.**
21. **Jangan sentuh bahan kerja dengan sertamerta selepas operasi; ia mungkin sangat panas dan boleh melecurkan kulit anda.**
22. **Pastikan bahawa bahan kerja disokong dengan betul.**
23. **Jika tempat kerja sangat panas dan lembap atau sangat tercemar oleh habuk berkonduksi, gunakan pemutus litar pintas (30 mA) untuk memastikan keselamatan pengendali.**
24. **Jangan gunakan alat pada mana-mana bahan yang mengandungi asbestos.**

SIMPAN ARAHAN INI.

⚠️AMARAN: JANGAN biarkan keselesaan atau kebiasaan dengan produk (daripada penggunaan berulang) menggantikan pemuatan ketat terhadap peraturan keselamatan untuk produk yang ditetapkan. **SALAH GUNA** atau kegagalan untuk mematuhi peraturan-peraturan keselamatan yang dinyatakan dalam manual arahan ini boleh menyebabkan kecederaan diri yang serius.

KETERANGAN FUNGSI

⚠️PERHATIAN:

- Sentiasa pastikan alat dimatikan dan palamnya dicabut sebelum menyelaras atau menyemak fungsi pada alat.

Tindakan suis

- **Rajah1:** 1. Butang kunci 2. Pemicu suis

⚠️PERHATIAN:

- Sebelum memasang alat, sentiasa periksa untuk melihat pemicu suis bergerak dengan betul dan kembali ke posisi "OFF" apabila dilepaskan.
- Suis boleh dikunci dalam kedudukan "ON" untuk memudahkan keselesaan pengendali semasa penggunaan berpanjangan. Berhati-hati semasa mengunci alat dalam kedudukan "ON" dan kekalkan genggamannya yang kukuh pada alat.

Untuk memulakan alat, hanya tarik pemicu suis.

Lepaskan pemicu suis untuk berhenti.

Untuk operasi berterusan, tarik pemicu suis dan kemudian tolak masuk butang kunci.

Untuk menghentikan alat dari kedudukan terkunci, tarik pemicu suis sepenuhnya, kemudian lepaskan.

PEMASANGAN

⚠️ PERHATIAN:

- Sentiasa pastikan alat dimatikan dan palamnya dicabut sebelum menjalankan apa-apa kerja pada alat.

Memasang genggamannya sisi (pemegang tambahan)

- **Rajah2:** 1. Genggamannya sisi

⚠️ PERHATIAN:

- Sentiasa pastikan genggamannya sisi dipasang dengan kukuh sebelum operasi.

Skrukan genggamannya sisi pada alat dengan kukuh.

Memasang atau mengeluarkan cakera lelas

- **Rajah3:** 1. Nat kunci 2. Cakera lelas 3. Pad getah 4. Spindel

Lepaskan pad getah kepada spindel. Sesuaikan cakera lelas pada pad getah dan skru nat kunci kepada spindel.

Untuk mengetatkan nat kunci, pegang spindel dengan perengkuh supaya ia tidak boleh berkisar, kemudian gunakan perengkuh nat kunci dan ketatkan mengikut arah jam dengan kemas.

- **Rajah4:** 1. Perengkuh nat kunci 2. Perengkuh

Untuk menanggalkan cakera, ikut prosedur pemasangan secara terbalik.

OPERASI

Operasi pengempelasan

- **Rajah5**

⚠️ PERHATIAN:

- Sentiasa memakai gogal keselamatan atau pelindung muka semasa operasi.
- Jangan sekali-kali menjalankan alat tanpa cakera lelas. Anda boleh merosakkan pad dengan teruk.

Pegang alat dengan kemas dengan satu tangan pada bahagian mengenggam alat dan tangan lain pada genggamannya sisi semasa menggunakan alat. Hidupkan alat dan kemudian letak cakera lelas pada bahan kerja. Secara amnya, kekalkan cakera lelas pada sudut kira-kira 15 darjah dari permukaan bahan kerja. Gunakan sedikit sahaja tekanan. Tekanan yang berlebihan akan menyebabkan prestasi yang lemah dan haus terlalu awal pada cakera lelas.

PENYELENGGARAAN

⚠️ PERHATIAN:

- Sentiasa pastikan alat dimatikan dan palamnya dicabut sebelum cuba menjalankan pemeriksaan atau penyelenggaraan.
- Jangan gunakan gasolin, benzin, pencair, alkohol atau bahan yang serupa. Ia boleh menyebabkan perubahan warna, bentuk atau keretakan.

Menggantikan berus karbon

- **Rajah6:** 1. Tanda had

Keluarkan dan periksa berus karbon dengan kerap. Gantikan ia apabila ia telah haus sehingga tanda had. Pastikan berus karbon sentiasa bersih dan bebas untuk dimasukkan ke dalam pemegang. Kedua-dua berus karbon harus diganti pada masa yang sama. Gunakan hanya berus karbon yang serupa.

Gunakan pemutar skru untuk menanggalkan penutup pemegang berus. Keluarkan berus karbon yang telah haus, masukkan berus baharu dan kukuhkan penutup pemegang berus.

- **Rajah7:** 1. Pemutar skru 2. Penutup pemegang berus

Untuk mengekalkan KESELAMATAN dan KEBOLEHPERCAYAAN produk, pembaikan, sebarang penyelenggaraan atau penyesuaian lain perlu dilakukan oleh Kilang atau Pusat Servis Makita yang Diiktiraf, sentiasa gunakan alat ganti Makita.

AKSESORI PILIHAN

⚠️ PERHATIAN:

- Aksesori-aksesori atau lampiran-lampiran ini adalah disyorkan untuk digunakan dengan alat Makita anda yang ditentukan dalam manual ini. Penggunaan mana-mana aksesori-aksesori atau lampiran-lampiran lain mungkin mengakibatkan risiko kecederaan kepada orang. Hanya gunakan aksesori atau lampiran untuk tujuan yang dinyatakan.

Jika anda memerlukan sebarang bantuan untuk maklumat lebih lanjut mengenai aksesori ini, tanya Pusat Perkhidmatan Makita tempatan anda.

- Pad getah
- Cakera lelas
- Nat kunci
- Perengkuh 17
- Genggamannya 36
- Perengkuh nat kunci 28

NOTA:

- Beberapa item dalam senarai mungkin disertakan dalam pakej alat sebagai aksesori standard. Item mungkin berbeza mengikut negara.

THÔNG SỐ KỸ THUẬT

Kiểu	9218SB
Đường kính đĩa nhôm	180 mm
Chổi sắt dạng côn	110 mm
Tốc độ định mức (n) / Tốc độ không tải (n ₀)	4.900 min ⁻¹
Tổng chiều dài	225 mm
Khối lượng tịnh	2,9 kg
Cấp an toàn	□/II

- Do chương trình nghiên cứu và phát triển liên tục của chúng tôi nên các thông số kỹ thuật trong đây có thể thay đổi mà không cần thông báo trước.
- Các thông số kỹ thuật có thể thay đổi tùy theo từng quốc gia.
- Khối lượng tùy theo Quy trình EPTA tháng 01/2003

Các biểu tượng

Phần dưới đây cho biết các ký hiệu được dùng cho thiết bị. Đảm bảo rằng bạn hiểu rõ ý nghĩa của các ký hiệu này trước khi sử dụng.



Đọc tài liệu hướng dẫn.



CÁCH ĐIỆN CẤP 2



Mang kính an toàn.



Chỉ dành cho các quốc gia châu Âu
Không thái bỏ thiết bị điện cùng với các chất thải sinh hoạt!
Để tuân thủ Chỉ thị của Châu Âu, về Thiết bị Điện và Điện tử Thái bỏ và thi hành những chỉ thị này phù hợp với luật lệ quốc gia, thiết bị điện tử không còn sử dụng được nữa phải được thu nhặt riêng và đưa trở lại một cơ sở tái chế tương thích với môi trường.

Mục đích sử dụng

Dụng cụ này được dùng để đánh bóng bề mặt lớn bằng các loại vật liệu gỗ, nhựa và kim loại cũng như các bề mặt đã sơn phủ.

Nguồn cấp điện

Dụng cụ này chỉ được nối với nguồn cấp điện có điện áp giống như đã chỉ ra trên biển tên và chỉ có thể được vận hành trên nguồn điện AC một pha. Chúng được cách điện hai lớp và do đó cũng có thể được sử dụng từ các ổ cắm điện không có dây tiếp đất.

Cảnh báo An toàn Chung dành cho Dụng cụ Máy

⚠CẢNH BÁO Đọc tất cả các cảnh báo an toàn và hướng dẫn. Việc không tuân theo các cảnh báo và hướng dẫn có thể dẫn đến điện giật, hỏa hoạn và/hoặc thương tích nghiêm trọng.

Lưu giữ tất cả cảnh báo và hướng dẫn để tham khảo sau này.

Thuật ngữ "dụng cụ máy" ở mục cảnh báo là nói đến dụng cụ máy dùng điện (có dây) hoặc dụng cụ máy dùng pin (không dây).

An toàn tại nơi làm việc

1. **Giữ nơi làm việc sạch sẽ và có đủ ánh sáng.**
Nơi làm việc bừa bộn hoặc tối thường dễ gây ra tai nạn.
2. **Không vận hành dụng cụ máy trong môi trường cháy nổ, ví dụ như môi trường có sự hiện diện của các chất lỏng, khí hoặc bụi dễ cháy.** Các dụng cụ máy tạo tia lửa điện có thể làm bụi hoặc khí bốc cháy.
3. **Giữ trẻ em và người ngoài tránh xa nơi làm việc khi đang vận hành dụng cụ máy.** Sự xao lãng có thể khiến bạn mất khả năng kiểm soát.

An toàn về Điện

4. **Phích cắm của dụng cụ máy phải khớp với ổ cắm. Không được sửa đổi phích cắm theo bất kỳ cách nào. Không sử dụng bất kỳ phích chuyên đổi nào với các dụng cụ máy được nối đất (tiếp đất).** Các phích cắm còn nguyên vẹn và ổ cắm phù hợp sẽ giảm nguy cơ điện giật.
5. **Tránh để cơ thể tiếp xúc với các bề mặt nổi đất hoặc tiếp đất như đường ống, bộ tản nhiệt, bếp ga và tủ lạnh.** Nguy cơ bị điện giật sẽ tăng lên nếu cơ thể bạn được nối đất hoặc tiếp đất.
6. **Không để dụng cụ máy tiếp xúc với mưa hoặc trong điều kiện ẩm ướt.** Nước lọt vào dụng cụ máy sẽ làm tăng nguy cơ điện giật.
7. **Không lạm dụng dây điện. Không được phép sử dụng dây để mang, kéo hoặc tháo phích cắm dụng cụ máy. Giữ dây tránh xa nguồn nhiệt, dầu, các mép sắc hoặc các bộ phận chuyển động.** Dây bị hỏng hoặc bị rối sẽ làm tăng nguy cơ điện giật.
8. **Khí vận hành dụng cụ máy ngoài trời, hãy sử dụng dây kéo dài phù hợp cho việc sử dụng ngoài trời.** Việc dùng dây phù hợp cho việc sử dụng ngoài trời sẽ giảm nguy cơ điện giật.

9. **Nếu bắt buộc phải vận hành dụng cụ máy ở nơi ẩm ướt, hãy sử dụng nguồn cấp điện được bảo vệ bằng thiết bị ngắt dòng điện rò (RCD).** Việc sử dụng RCD sẽ giảm nguy cơ điện giật.
10. **Chúng tôi luôn khuyên bạn sử dụng nguồn cấp điện qua thiết bị RCD có thể ngắt dòng điện rò định mức 30mA hoặc thấp hơn.**

An toàn Cá nhân

11. **Luôn tỉnh táo, quan sát những việc bạn đang làm và sử dụng những phán đoán theo kinh nghiệm khi vận hành dụng cụ máy. Không sử dụng dụng cụ máy khi bạn đang mệt mỏi hoặc chịu ảnh hưởng của ma túy, rượu hay thuốc.** Chỉ một khoảnh khắc không tập trung khi đang vận hành dụng cụ máy cũng có thể dẫn đến thương tích cá nhân nghiêm trọng.
12. **Sử dụng thiết bị bảo hộ cá nhân. Luôn đeo thiết bị bảo vệ mắt.** Các thiết bị bảo hộ như mặt nạ chống bụi, giày an toàn chống trượt, mũ bảo hộ hay thiết bị bảo vệ thính giác được sử dụng trong các điều kiện thích hợp sẽ giúp giảm thương tích cá nhân.
13. **Tránh vô tình khởi động dụng cụ máy. Đảm bảo công tắc ở vị trí off (tắt) trước khi nối nguồn điện và/hoặc bộ pin, cắm hoặc mang dụng cụ máy.** Việc mang dụng cụ máy khi đang đặt ngón tay ở vị trí công tắc hoặc cấp điện cho dụng cụ máy đang bật thường dễ gây ra tai nạn.
14. **Tháo mọi khóa hoặc chia vận điều chỉnh trước khi bật dụng cụ máy.** Việc chia vận hoặc khóa vẫn còn gắn vào bộ phận quay của dụng cụ máy có thể dẫn đến thương tích cá nhân.
15. **Không vớ quá cao. Luôn giữ thăng bằng tốt và có chỗ để chân phù hợp.** Điều này cho phép điều khiển dụng cụ máy tốt hơn trong những tình huống bất ngờ.
16. **Ăn mặc phù hợp. Không mặc quần áo rộng hay đeo đồ trang sức. Giữ tóc, quần áo và gang tay tránh xa các bộ phận chuyển động.** Quần áo rộng, đồ trang sức hay tóc dài có thể mắc vào các bộ phận chuyển động.
17. **Nếu các thiết bị được cung cấp để kết nối các thiết bị thu gom và hút bụi, hãy đảm bảo chúng được kết nối và sử dụng hợp lý.** Việc sử dụng thiết bị thu gom bụi có thể làm giảm những mối nguy hiểm liên quan đến bụi.

Sử dụng và bảo quản dụng cụ máy

18. **Không dùng lực đối với dụng cụ máy. Sử dụng đúng dụng cụ máy cho công việc của bạn.** Sử dụng đúng dụng cụ máy sẽ giúp thực hiện công việc tốt hơn và an toàn hơn theo giá trị định mức được thiết kế của dụng cụ máy đó.
19. **Không sử dụng dụng cụ máy nếu công tắc không bật và tắt được dụng cụ máy đó.** Mọi dụng cụ máy không thể điều khiển được bằng công tắc đều rất nguy hiểm và phải được sửa chữa.
20. **Rút phích cắm ra khỏi nguồn điện và/hoặc ngắt kết nối bộ pin khỏi dụng cụ máy trước khi thực hiện bất kỳ công việc điều chỉnh, thay đổi phụ tùng hay cất giữ dụng cụ máy nào.** Những biện pháp an toàn phòng ngừa này sẽ giảm nguy cơ vô tình khởi động dụng cụ máy.

21. **Cất giữ các dụng cụ máy không sử dụng ngoài tầm với của trẻ em và không cho bất kỳ người nào không có hiểu biết về dụng cụ máy hoặc các hướng dẫn này vận hành dụng cụ máy.** Dụng cụ máy sẽ rất nguy hiểm nếu được sử dụng bởi những người dùng chưa qua đào tạo.
22. **Bảo quản dụng cụ máy. Kiểm tra tình trạng lệch trục hoặc bó kẹt của các bộ phận chuyển động, hiện tượng nứt vỡ của các bộ phận và mọi tình trạng khác mà có thể ảnh hưởng đến hoạt động của dụng cụ máy. Nếu có hỏng hóc, hãy sửa chữa dụng cụ máy trước khi sử dụng.** Nhiều tai nạn xảy ra là do không bảo quản tốt dụng cụ máy.
23. **Luôn giữ cho dụng cụ cắt được sắc bén và sạch sẽ.** Những dụng cụ cắt được bảo quản tốt có mép cắt sắc sẽ ít bị kẹt hơn và dễ điều khiển hơn.
24. **Sử dụng dụng cụ máy, phụ tùng và đầu dụng cụ cắt, v.v... theo các hướng dẫn này, có tính đến điều kiện làm việc và công việc được thực hiện.** Việc sử dụng dụng cụ máy cho các công việc khác với công việc dự định có thể gây nguy hiểm.

Bảo dưỡng

25. **Đề nghị viên sửa chữa đủ trình độ bảo dưỡng dụng cụ máy của bạn và chỉ sử dụng các bộ phận thay thế đồng nhất.** Việc này sẽ đảm bảo duy trì được độ an toàn của dụng cụ máy.
26. **Tuân theo hướng dẫn dành cho việc bôi trơn và thay phụ tùng.**
27. **Giữ tay cầm khô, sạch, không dính dầu và mỡ.**

CẢNH BÁO AN TOÀN ĐỐI VỚI MÁY CHÀ NHĂM ĐĨA CẦM TAY HOẠT ĐỘNG BẰNG ĐỘNG CƠ ĐIỆN

Cảnh báo An toàn Thông thường cho Thao tác Chà nhám:

1. **Dụng cụ máy này được dùng để làm máy chà nhám. Xin đọc tất cả các cảnh báo an toàn, hướng dẫn, minh họa và thông số kỹ thuật đi kèm với dụng cụ máy này.** Việc không tuân theo các hướng dẫn được liệt kê dưới đây có thể dẫn đến điện giật, hỏa hoạn và/hoặc thương tích nghiêm trọng.
2. **Các thao tác như mài, đánh bàn chải kim loại, đánh bóng hoặc cắt không được khuyến khích thực hiện bằng dụng cụ máy này.** Các thao tác mà dụng cụ máy này không được thiết kế để thực hiện có thể tạo ra nguy hiểm và gây thương tích cá nhân.
3. **Không được dùng các phụ kiện không được thiết kế đặc biệt và không theo khuyến cáo của nhà sản xuất dụng cụ.** Bởi nếu có thể gắn phụ kiện đó vào máy dụng cụ của bạn thì điều đó hoàn toàn không đảm bảo việc vận hành máy an toàn.
4. **Tốc độ định mức của phụ kiện ít nhất phải bằng tốc độ tối đa được đánh dấu trên dụng cụ máy này.** Các phụ kiện chạy nhanh hơn tốc độ định mức của chúng có thể bị vỡ và bay ra ngoài.

5. **Đường kính bên ngoài và độ dày của phụ kiện phải nằm trong mức đánh giá công suất của dụng cụ máy của bạn.** Các phụ kiện có kích thước không chính xác không thể được bảo vệ hoặc kiểm soát một cách đầy đủ.
6. **Lắp ren của phụ kiện phải khớp với ren của trụ quay dụng cụ. Đối với các phụ kiện được gắn bằng vành, lỗ trục tâm của phụ kiện đó phải vừa khít với đường kính định vị của vành.** Các phụ kiện không khớp với phần kim loại lắp ghép của dụng cụ máy sẽ bị mất cân bằng, rung động quá mức và có thể gây ra mất kiểm soát.
7. **Không sử dụng phụ kiện đã hư hỏng. Trước mỗi lần sử dụng hãy kiểm tra phụ kiện như tấm đặt lót xem có nứt gãy hoặc bị ăn mòn quá mức không. Nếu dụng cụ máy hoặc phụ kiện bị rơi, hãy kiểm tra hư hỏng hoặc lắp lại phụ kiện không bị hư hại. Sau khi kiểm tra và cài đặt phụ kiện, hãy tìm chỗ đứng cho bản thân mình và những người xung quanh để tránh xa máy phẳng phụ kiện quay và chạy dụng cụ máy này ở tốc độ không tải tối đa trong vòng một phút.** Phụ kiện bị hư hỏng thông thường sẽ bị vỡ trong thời gian thử nghiệm này.
8. **Mang thiết bị bảo hộ cá nhân. Tùy thuộc vào việc sử dụng máy, hãy dùng mặt nạ bảo vệ mặt, kính bảo hộ hoặc kính an toàn. Khi thích hợp, hãy mang mặt nạ chống bụi, dụng cụ bảo vệ thính giác, găng tay và tạp dề làm việc có khả năng ngăn chặn các mảnh mài mòn hoặc mảnh vỡ từ vật gia công. Thiết bị bảo vệ mắt phải có khả năng ngăn chặn các mảnh vụn bay ra phát sinh bởi các hoạt động khác nhau. Mặt nạ chống bụi hoặc khẩu trang phải có khả năng lọc được các hạt tạo ra bởi hoạt động của bạn. Tiếp xúc kéo dài với tiếng ồn có cường độ cao có thể gây ra mất thính giác.**
9. **Giữ những người xung quanh tránh xa nơi làm việc một khoảng cách an toàn. Bất cứ ai bước vào khu vực làm việc đều phải đeo thiết bị bảo hộ cá nhân.** Các mảnh vỡ của vật gia công hoặc phụ kiện bị vỡ có thể bắn ra và gây thương tích bên ngoài khu vực thao tác cạnh đó.
10. **Đặt dây dẫn không để vướng phụ kiện quay.** Nếu bạn bị mất kiểm soát, dây dẫn có thể bị cắt hoặc bị quấn và bàn tay hoặc cánh tay của bạn có thể bị kéo vào phụ kiện quay đó.
11. **Không bao giờ đặt dụng cụ máy xuống cho đến khi phụ kiện đã dừng hẳn.** Phụ kiện quay có thể quấn lấy bề mặt và kéo công cụ máy vượt khỏi tầm kiểm soát của bạn.
12. **Không được chạy dụng cụ máy trong lúc đang mang bên hông bạn.** Tiếp xúc bất ngờ với phụ kiện quay có thể quấn lấy quần áo của bạn, kéo phụ kiện vướng vào người bạn.
13. **Thường xuyên làm sạch các lỗ thông hơi của dụng cụ máy.** Quạt của động cơ sẽ thu hút bụi vào bên trong vỏ và nhiều bột kim loại tích tụ có thể gây ra các nguy hiểm về điện.
14. **Không vận hành công cụ máy gần các vật liệu dễ cháy.** Các tia lửa có thể kích cháy các vật liệu này.
15. **Không sử dụng các phụ kiện có yêu cầu chất làm mát dạng lỏng.** Sử dụng chất làm mát bằng nước hoặc chất lỏng khác có thể dẫn đến điện giật hoặc sốc.

Lực đẩy ngược và Cảnh Báo Lên Quan

Lực đẩy ngược là phản ứng bất ngờ đối với đĩa mài, tấm đặt lót, chổi hoặc bất cứ phụ kiện nào khác đang quay nhưng bị kẹt hoặc bị quấn. Việc bị kẹt hoặc quấn sẽ làm phụ kiện đang quay bị dừng nhanh chóng và do đó dụng cụ máy không kiểm soát được sẽ bị đẩy theo hướng đối diện hướng quay của phụ kiện tại điểm bị ràng buộc.

Lực đẩy ngược là kết quả của việc sử dụng dụng cụ máy không đúng và/hoặc do các quy trình vận hành hoặc các điều kiện không chính xác và có thể tránh được bằng cách thực hiện các biện pháp phòng ngừa thích hợp như được nêu dưới đây.

- a) **Nắm giữ chắc dụng cụ máy và chọn thế đứng và vị trí tay cầm để cho phép bạn chống lại lực đẩy ngược. Luôn sử dụng tay cầm phụ, nếu được cung cấp, để kiểm soát tối đa lực đẩy ngược hoặc mô-men xoắn trong lúc khởi động.** Người vận hành máy có thể kiểm soát mô-men xoắn hay lực đẩy ngược nếu thực hiện các biện pháp phòng ngừa đúng cách.
- b) **Không bao giờ đặt tay bạn gần phụ kiện quay.** Phụ kiện có thể quạt ngược lại lên tay bạn.
- c) **Không đứng tại vị trí nơi dụng cụ máy sẽ bị đẩy tới nếu xảy ra lực đẩy ngược.** Lực đẩy ngược sẽ làm xoay dụng cụ theo hướng ngược lại chuyển động của đĩa mài tại vị trí bị quấn.
- d) **Cần đặc biệt cẩn thận khi thao tác với các cạnh góc, mép sắc, v.v... Tránh làm dẹt ra và quấn vào phụ kiện.** Các góc, mép sắc hoặc dẹt ra có xu hướng làm quấn lấy phụ kiện đang quay và gây mất kiểm soát hoặc tạo lực đẩy ngược.
- e) **Không được gắn lưỡi xích cưa khắc gỗ hoặc lưỡi cưa răng.** Các loại lưỡi như vậy thường tạo ra lực đẩy ngược và dễ mất kiểm soát.

Cảnh báo An toàn Chỉ định cho Thao Tác Chà nhám:

- a) **Không sử dụng giấy chà nhám dạng đĩa có khổ quá lớn. Làm theo các khuyến nghị của nhà sản xuất khi lựa chọn giấy nhám.** Giấy nhám lớn hơn vượt ra khỏi tầm đánh nhám sẽ dễ gây nguy hiểm rách giấy và có thể gây quấn, xé rách đĩa hoặc tạo lực đẩy ngược.

Cảnh báo an toàn bổ sung:

16. **Một số vật liệu có thể chứa hóa chất độc. Phải cẩn trọng tránh hít phải bụi và để tiếp xúc với da. Tuân theo dữ liệu an toàn của nhà cung cấp vật liệu.**
17. **Cần thông thoáng phù hợp cho khu vực làm việc khi bạn thực hiện thao tác đánh nhám.**
18. **Sử dụng dụng cụ này để đánh nhám một số sản phẩm, sơn và gỗ có thể làm người dùng tiếp xúc với bụi có chứa các chất nguy hiểm. Sử dụng biện pháp bảo vệ đường hô hấp phù hợp.**
19. **Phải đảm bảo rằng đĩa nhám không tiếp xúc với vật gia công trước khi bật công tắc lên.**
20. **Không để mặc dụng cụ hoạt động. Chỉ vận hành dụng cụ khi cầm trên tay.**
21. **Không chạm vào phôi gia công ngay sau khi vận hành; chúng có thể rất nóng và có thể gây bỏng da.**
22. **Kiểm tra xem phôi gia công đã được kê đỡ đầy đủ chưa.**

23. Nếu nơi làm việc rất nóng và ẩm ướt, hoặc bị ô nhiễm nặng bởi bụi dẫn điện, hãy dùng bộ ngắt điện đoản mạch (30 mA) để bảo đảm an toàn cho người vận hành.
24. Không dùng dụng cụ này trên bất kỳ vật liệu nào có chứa amiăng.

LƯU GIỮ CÁC HƯỚNG DẪN NÀY.

⚠CẢNH BÁO: KHÔNG vì đã thoải mái hay quen thuộc với sản phẩm (có được do sử dụng nhiều lần) mà không tuân thủ nghiêm ngặt các quy định về an toàn dành cho sản phẩm này. **VIỆC DÙNG SAI** hoặc không tuân theo các quy định về an toàn được nêu trong tài liệu hướng dẫn này có thể dẫn đến thương tích cá nhân nghiêm trọng.

MÔ TẢ CHỨC NĂNG

⚠THẬN TRỌNG:

- Luôn bảo đảm rằng dụng cụ được tắt điện và rút phích cắm trước khi điều chỉnh hoặc kiểm tra chức năng của dụng cụ.

Hoạt động công tắc

- **Hình1:** 1. Nút khóa 2. Cần khởi động công tắc

⚠THẬN TRỌNG:

- Trước khi cắm điện vào dụng cụ, luôn luôn kiểm tra xem cần khởi động công tắc có hoạt động bình thường hay không và trả về vị trí "OFF" (TẮT) khi nhả ra.
- Công tắc có thể khóa ở vị trí "ON" (BẬT) để người vận hành dễ dàng thuận tiện trong quá trình sử dụng kéo dài. Cần hết sức cẩn trọng khi khóa dụng cụ ở vị trí "ON" (BẬT) và phải luôn giữ chặt dụng cụ.

Để khởi động dụng cụ, chỉ cần kéo cần khởi động công tắc. Nhả cần khởi động công tắc ra để dừng. Để tiếp tục vận hành, hãy kéo cần khởi động công tắc và sau đó nhấn vào nút khóa. Để dừng dụng cụ từ vị trí đã khóa, hãy kéo cần khởi động công tắc hết mức, sau đó nhả ra.

LẮP RÁP

⚠THẬN TRỌNG:

- Luôn luôn đảm bảo rằng dụng cụ đã được tắt và tháo phích cắm trước khi dùng dụng cụ thực hiện bất cứ công việc nào.

Lắp đặt tay cầm hông (tay cầm phụ)

- **Hình2:** 1. Tay cầm hông

⚠THẬN TRỌNG:

- Luôn đảm bảo rằng tay cầm hông được gắn chặt trước khi vận hành.

Vận tay cầm hông trên dụng cụ thật chặt.

Gắn hoặc tháo đĩa nhám

- **Hình3:** 1. Đai ốc khóa 2. Đĩa nhám 3. Tấm cao su 4. Trụ quay

Gắn tấm cao su lên trụ quay. Gắn kit đĩa nhám trên tấm đặt cao su và vận đai ốc khóa lên trụ quay. Để vận chặt đai ốc khóa, hãy giữ trụ quay bằng khóa cờ-lê để nó không thể xoay, sau đó sử dụng cờ-lê đai ốc khóa và vận chặt lại theo chiều kim đồng hồ.

- **Hình4:** 1. Cờ-lê đai ốc khóa 2. Cờ-lê

Để tháo đĩa nhám, hãy làm ngược lại quy trình lắp vào.

VẬN HÀNH

Thao tác chà nhám

- **Hình5**

⚠THẬN TRỌNG:

- Luôn luôn mang kính bảo hộ hoặc mặt nạ bảo vệ mặt trong khi vận hành.
- Không bao giờ được vận hành dụng cụ mà không có đĩa nhám. Bạn có thể gây hư hỏng tấm đặt nghiêm trọng.

Giữ dụng cụ thật chắc bằng một tay trên phần dùng để cầm của dụng và tay kia trên tay cầm hông khi vận hành dụng cụ. Bật dụng cụ lên và sau đó sử dụng đĩa nhám cho vật gia công. Nói chung, hãy giữ đĩa nhám ở một góc khoảng 15 độ so với bề mặt vật gia công. Ấn xuống bằng một lực nhỏ. Ấn mạnh quá mức sẽ dẫn đến hiệu suất kém và hao mòn quá sớm đối với đĩa nhám.

BẢO TRÌ

⚠ THẬN TRỌNG:

- Luôn bảo đảm rằng dụng cụ được tắt điện và rút phích cắm trước khi thử thực hiện việc kiểm tra hoặc bảo trì.
- Không bao giờ dùng xăng, ét xăng, dung môi, cồn hoặc hóa chất tương tự. Có thể xảy ra hiện tượng mất màu, biến dạng hoặc nứt vỡ.

Thay chổi các-bon

► **Hình6:** 1. Vạch giới hạn

Hãy tháo và kiểm tra các chổi các-bon định kỳ. Thay thế khi chổi đã mòn đến vạch giới hạn. Giữ các chổi các-bon sạch và có thể trượt dễ dàng vào chỗ giữ chổi. Cả hai chổi các-bon phải được thay thế cùng một lúc. Chỉ sử dụng các chổi các-bon giống nhau.

Hãy sử dụng tuốc-nơ-vít để tháo các nắp giữ chổi. Hãy tháo các chổi các-bon đã bị mòn, lắp vào các chổi mới và vặn chặt các nắp giữ chổi.

► **Hình7:** 1. Máy vặn vít cầm tay hoạt động bằng động cơ điện 2. Nắp giữ chổi

Để đảm bảo AN TOÀN và TIN CẬY của sản phẩm, việc sửa chữa hoặc bất cứ thao tác bảo dưỡng, điều chỉnh nào đều phải được thực hiện bởi các Trung tâm dịch vụ được ủy quyền của Makita, luôn sử dụng các phụ tùng thay thế của Makita.

PHỤ KIỆN TỰY CHỌN

⚠ THẬN TRỌNG:

- Các phụ kiện hoặc phụ tùng gắn thêm này được khuyến cáo sử dụng với dụng cụ Makita của bạn theo như quy định trong hướng dẫn này. Việc sử dụng bất cứ phụ kiện hoặc phụ tùng gắn thêm nào khác đều có thể gây ra rủi ro thương tích cho người. Chỉ sử dụng phụ kiện hoặc phụ tùng gắn thêm cho mục đích đã quy định sẵn của chúng.

Nếu bạn cần bất kỳ sự hỗ trợ nào để biết thêm chi tiết về các phụ tùng này, hãy hỏi Trung tâm Dịch vụ của Makita tại địa phương của bạn.

- Tấm cao su
- Đĩa nhám
- Đai ốc khóa
- Cờ-lê 17
- Tay cầm 36
- Cờ-lê đai ốc khóa 28

LƯU Ý:

- Một số mục trong danh sách có thể được bao gồm trong gói dụng cụ làm phụ kiện tiêu chuẩn. Các mục này ở mỗi quốc gia có thể khác nhau.

ข้อมูลจำเพาะ

รุ่น	9218SB
เส้นผ่านศูนย์กลางงานขัด	180 mm
แปรงลวดถ่วง	110 mm
อัตราความเร็ว (n) / ความเร็วหมุนเปล่า (n ₀)	4,900 min ⁻¹
ความยาวโดยรวม	225 mm
น้ำหนักสุทธิ	2.9 kg
มาตรฐานความปลอดภัย	II/II

- เนื่องจากโปรแกรมการวิจัยและพัฒนาอย่างต่อเนื่องของเรา ข้อมูลจำเพาะในคู่มือนี้อาจมีการเปลี่ยนแปลงโดยไม่แจ้งให้ทราบล่วงหน้า
- ข้อมูลจำเพาะอาจแตกต่างกันไปในแต่ละประเทศ
- น้ำหนักตามข้อบังคับของ EPTA 01/2003

สัญลักษณ์

ต่อไปนี้เป็นสัญลักษณ์ที่ใช้สำหรับอุปกรณ์ โปรดศึกษาความหมายของสัญลักษณ์ให้เข้าใจก่อนการใช้งาน



อ่านคู่มือการใช้งาน



ฉนวนสองชั้น



สวมแว่นตานิรภัย



สำหรับประเทศในสหภาพยุโรปเท่านั้น
อย่าทิ้งอุปกรณ์ไฟฟ้าหรือแบตเตอรี่ร่วมกับขยะภายในครัวเรือน!
ในการปฏิบัติตามกฎระเบียบของสหภาพยุโรปตามระเบียบว่าด้วยขยะเหลือทิ้งของผลิตภัณฑ์ไฟฟ้าและอิเล็กทรอนิกส์ และวิธีนำไปใช้งานที่สอดคล้องกับกฎหมายภายในประเทศ ต้องทำการแยกอุปกรณ์อิเล็กทรอนิกส์ที่หมดสภาพการใช้งานและนำไปเข้าสู่ศูนย์รีไซเคิลที่เป็นมิตรกับสิ่งแวดล้อม

จุดประสงค์ของเครื่องมือ

เครื่องมือนี้ใช้สำหรับขัดผิวหน้าวัสดุไม้ พลาสติก และโลหะ ตลอดจนพื้นผิวที่ทำสี

แหล่งจ่ายไฟ

ควรเชื่อมต่อเครื่องมือกับแหล่งจ่ายไฟที่มีแรงดันไฟฟ้าตามที่ระบุไว้ในป้ายข้อมูลของเครื่องมือ และต้องใช้ไฟฟ้ากระแสสลับแบบเฟสเดียวเท่านั้น อุปกรณ์นี้ได้รับการหุ้มฉนวนสองชั้นและสามารถเข้ากับปลั๊กไฟที่ไม่มีสายดินได้

คำเตือนด้านความปลอดภัยของเครื่องมือไฟฟ้าทั่วไป

⚠ คำเตือน อ่านคำเตือนด้านความปลอดภัยและคำแนะนำทั้งหมดก่อนใช้งาน การไม่ปฏิบัติตามคำเตือนและคำแนะนำดังกล่าวอาจส่งผลให้ไฟฟ้าช็อต ไฟไหม้ และ/หรือได้รับบาดเจ็บร้ายแรง

เก็บรักษาคำเตือนและคำแนะนำทั้งหมดไว้เป็นข้อมูลอ้างอิงในอนาคต

คำว่า “เครื่องมือไฟฟ้า” ในคำเตือนนี้หมายถึงเครื่องมือไฟฟ้า (มีสาย) ที่ทำงานโดยใช้กระแสไฟฟ้า หรือเครื่องมือไฟฟ้า (ไร้สาย) ที่ทำงานโดยใช้แบตเตอรี่

ความปลอดภัยของพื้นที่ทำงาน

- ดูแลพื้นที่ทำงานให้มีความสะอาดและมีแสงไฟสว่าง พื้นที่รกรະกะระกะหรือมีดีที่อาจนำไปสู่การเกิดอุบัติเหตุได้
- อย่าใช้งานเครื่องมือไฟฟ้าในสภาพที่อาจเกิดการระเบิด เช่น ในสถานที่ที่มีของเหลว ก๊าซ หรือฝุ่นผงที่มีคุณสมบัติไวไฟ เครื่องมือไฟฟ้าอาจสร้างประกายไฟและจุดชนวนฝุ่นผงหรือก๊าซดังกล่าว

3. ดูแลไม่ให้มีเด็ก หรือบุคคลอื่นอยู่ในบริเวณที่กำลังใช้เครื่องมือไฟฟ้า การมีสิ่งรบกวนสมาธิอาจทำให้คุณสูญเสียการควบคุม
- ความปลอดภัยด้านไฟฟ้า**

4. ปลั๊กของเครื่องมือไฟฟ้าต้องพอดีกับเต้ารับ อย่าดัดแปลงปลั๊กไม่ว่ากรณีใดๆ อย่าใช้ปลั๊กอะแดปเตอร์กับเครื่องมือไฟฟ้าที่ต่อสายดิน ปลั๊กที่ไม่ถูกดัดแปลงและเต้ารับที่เข้ากันพอดีจะช่วยลดความเสี่ยงของการเกิดไฟฟ้าช็อต
5. ระวังอย่าให้ร่างกายสัมผัสกับพื้นผิวที่ต่อสายดิน เช่นท่อ เครื่องนำความร้อน เตาหุงต้ม และตู้เย็น มีความเสี่ยงที่จะเกิดไฟฟ้าช็อตสูงขึ้น หากร่างกายของคุณสัมผัสกับพื้น
6. อย่าให้เครื่องมือไฟฟ้าถูกน้ำหรืออยู่ในสภาพเปียกชื้น น้ำที่ไหลเข้าไปในเครื่องมือไฟฟ้าจะเพิ่มความเสี่ยงของการเกิดไฟฟ้าช็อต
7. อย่าใช้สายไฟอย่างไม่เหมาะสม อย่าใช้สายไฟเพื่อยก ดึง หรือถอดปลั๊กเครื่องมือไฟฟ้า เก็บสายไฟให้ห่างจากความร้อน น้ำมัน ของมีคม หรือชิ้นส่วนที่เคลื่อนที่ สายที่ชำรุดหรือพันกันจะเพิ่มความเสี่ยงของการเกิดไฟฟ้าช็อต
8. ขณะที่ใช้งานเครื่องมือไฟฟ้านอกอาคาร ควรใช้สายต่อพ่วงที่เหมาะสมกับงานภายนอกอาคาร การใช้สายที่เหมาะสมกับงานภายนอกอาคารจะลดความเสี่ยงของการเกิดไฟฟ้าช็อต
9. หากต้องใช้งานเครื่องมือไฟฟ้าในสถานที่เปียกชื้น ให้ใช้อุปกรณ์ป้องกันกระแสไฟรั่ว (RCD) การใช้ RCD จะลดความเสี่ยงของการเกิดไฟฟ้าช็อต
10. แนะนำให้ใช้แหล่งจ่ายไฟผ่าน RCD ที่มีกระแสไฟรั่วในอัตราไม่เกิน 30mA เสมอ

ความปลอดภัยส่วนบุคคล

11. ให้ระมัดระวังและมีสติอยู่เสมอขณะใช้งานเครื่องมือไฟฟ้า อย่าใช้งานเครื่องมือไฟฟ้าในขณะที่คุณกำลังเหนื่อย หรือในสภาพที่มึนเมาจากยาเสพติด เครื่องดื่ม แอลกอฮอล์ หรือการเข้ายา ช่วงเวลาที่ขาดความระมัดระวังเมื่อกำลังใช้งานเครื่องมือไฟฟ้าอาจทำให้ได้รับบาดเจ็บร้ายแรง
12. ใช้อุปกรณ์ป้องกันส่วนบุคคล สวมแว่นตาป้องกันเสมอ อุปกรณ์ป้องกัน เช่น หน้ากากกันฝุ่น รองเท้านิรภัย กันลื่น หมวกนิรภัย หรืออุปกรณ์ป้องกันเสียงที่ใช้ในสภาพที่เหมาะสมจะช่วยลดการบาดเจ็บ

13. ป้องกันไม่ให้เกิดการเปิดใช้งานโดยไม่ตั้งใจ ตรวจสอบให้แน่ใจว่าสวิตช์ปิดอยู่ก่อนที่จะเชื่อมต่อกับแหล่งจ่ายไฟ และ/หรือชุดแบตเตอรี่ รวมทั้งตรวจสอบก่อนการยกหรือเคลื่อนย้ายเครื่องมือ การถอดนิ้วมือบริเวณสวิตช์เพื่อถือเครื่องมือไฟฟ้า หรือการชาร์จไฟเครื่องมือไฟฟ้าในขณะที่เปิดสวิตช์อยู่อาจนำไปสู่การเกิดอุบัติเหตุ
14. นำกฎแบริบตั้งหรือประแจออกก่อนที่จะเปิดเครื่องมือไฟฟ้า ประแจหรือกฎแบริบตั้งที่เสียบค้างอยู่ในชิ้นส่วนที่หมุนไของเครื่องมือไฟฟ้าอาจทำให้ได้รับบาดเจ็บ
15. อย่าทำงานในระยะที่ลุดเอื้อม จัดทำกรยีนและการทรงตัวให้เหมาะสมตลอดเวลย เพราะจะทให้ควบคุมเครื่องมือไฟฟ้าได้ดีขึ้นในสถานการณ์ที่ไม่คาดคิด
16. แต่งกายให้เหมาะสม อย่าสวมเครื่องแต่งกายที่หลวมเกินไป หรือสวมเครื่องประดับ ดูแลไม่ให้เส้นผม เสื้อผ้า และถุงมืออยู่ใกล้ชิ้นส่วนที่เคลื่อนที่ เสื้อผ้า รุ่มร่าม เครื่องประดับ หรือผมที่มีความยาวอาจเข้าไปติดในชิ้นส่วนที่เคลื่อนที่
17. หากมีการจัดอุปกรณ์สำหรับดูดและจัดเก็บฝุ่นไว้ในสถานที่ ให้ตรวจสอบว่าได้เชื่อมต่อและใช้งานอุปกรณ์นั้นอย่างเหมาะสม การใช้เครื่องดูดและจัดเก็บฝุ่นจะช่วยลดอันตรายที่เกิดจากฝุ่นผงได้
- การใช้และดูแลเครื่องมือไฟฟ้า**
18. อย่าฝืนใช้เครื่องมือไฟฟ้า ใช้เครื่องมือไฟฟ้าที่เหมาะสมกับการใช้งานของคุณ เครื่องมือไฟฟ้าที่เหมาะสมจะทำให้ได้งานที่มีประสิทธิภาพและปลอดภัยกว่าตามขีดความสามารถของเครื่องที่ได้รับการออกแบบมา
19. อย่าใช้เครื่องมือไฟฟ้า หากสวิตช์ไม่สามารถเปิดปิดได้ เครื่องมือไฟฟ้าที่ควบคุมด้วยสวิตช์ไม่ได้เป็นสิ่งอันตรายและต้องได้รับการซ่อมแซม
20. ถอดปลั๊กจากแหล่งจ่ายไฟ และ/หรือชุดแบตเตอรี่ออกจากเครื่องมือไฟฟ้าก่อนทำการปรับตั้ง เปลี่ยนอุปกรณ์เสริม หรือจัดเก็บเครื่องมือไฟฟ้า วิธีการป้องกันด้านความปลอดภัยดังกล่าวจะช่วยลดความเสี่ยงของการเปิดใช้งานเครื่องมือไฟฟ้าโดยไม่ตั้งใจ
21. จัดเก็บเครื่องมือไฟฟ้าที่ไม่ได้ใช้งานให้ห่างจากมือเด็ก และอย่าอนุญาตให้บุคคลที่ไม่คุ้นเคยกับเครื่องมือไฟฟ้าหรือคำแนะนำเหล่านี้ใช้งานเครื่องมือไฟฟ้า เครื่องมือไฟฟ้าจะเป็นอันตรายเมื่ออยู่ในมือของผู้ที่ไม่ได้รับการฝึกอบรม

22. การดูแลรักษาเครื่องมือไฟฟ้า ตรวจสอบการประกอบที่ไม่ถูกต้องหรือการเชื่อมต่อของชิ้นส่วนที่เคลื่อนที่ การแตกหักของชิ้นส่วน หรือสภาพอื่น ๆ ที่อาจส่งผลกระทบต่อการทำงานของเครื่องมือไฟฟ้า หากมีความเสียหาย ให้นำเครื่องมือไฟฟ้าไปซ่อมแซมก่อนการใช้งาน อุบัติเหตุจำนวนมากเกิดจากการดูแลรักษาเครื่องมือไฟฟ้าอย่างไม่ถูกต้อง
23. ทำความสะอาดเครื่องมือตัดและลับให้คมอยู่เสมอ เครื่องมือตัดที่มีการดูแลรักษาอย่างถูกต้องและมีขอบตัดคมมักจะแก้ปัญหาที่ขัดน้อยและควบคุมได้ง่ายกว่า
24. ใช้เครื่องมือไฟฟ้า อุปกรณ์เสริม และวัสดุสิ้นเปลือง ฯลฯ ตามคำแนะนำดังกล่าว พิจารณาสภาพการทำงานและงานที่จะลงมือทำ การใช้เครื่องมือไฟฟ้าเพื่อทำงานอื่นนอกเหนือจากที่กำหนดไว้อาจทำให้เกิดอันตราย

การซ่อมบำรุง

25. นำเครื่องมือไฟฟ้าเข้ารับการซ่อมแซมจากช่างซ่อมที่ผ่านการรับรองโดยใช้อะไหล่แบบเดียวกันเท่านั้น ซึ่งจะทำให้การใช้งานเครื่องมือไฟฟ้ามีความปลอดภัย
26. ปฏิบัติตามคำแนะนำในการหล่อลื่นและการเปลี่ยนอุปกรณ์เสริม
27. ดูแลเก็บให้แห้ง สะอาด และไม่มีน้ำมันและจารบีเปื้อน

คำเตือนด้านความปลอดภัยของเครื่องขัดแบบจาน

คำเตือนด้านความปลอดภัยสำหรับการขัดด้วยกระดาษทราย:

1. เครื่องมือไฟฟ้านี้ใช้สำหรับเป็นเครื่องขัด โปรดอ่านคำเตือนด้านความปลอดภัย คำแนะนำ ภาพประกอบ และข้อมูลจำเพาะต่างๆ ที่ให้มาเกี่ยวกับเครื่องมือไฟฟ้านี้อย่างละเอียด หากไม่ปฏิบัติตามคำแนะนำทั้งหมด ด้านล่างนี้อาจส่งผลให้เกิดไฟช็อต ไฟไหม้ และ/หรือบาดเจ็บสาหัสได้
2. **ไม่แนะนำให้ใช้เครื่องมือไฟฟ้านี้ในการไส การใช้แปรงขัด การขัดเงา หรือการตัด** การทำงานที่เครื่องมือไฟฟ้าไม่ได้ระบุไว้ นั้นอาจทำให้เกิดอันตรายและทำให้ได้รับบาดเจ็บได้
3. **อย่าใช้อุปกรณ์เสริมที่ไม่ได้ออกแบบและแนะนำโดยผู้ผลิตเครื่องมือนี้** การที่อุปกรณ์เสริมต่างๆ สามารถติดตั้งเข้ากับเครื่องมือไฟฟ้าของคุณได้นั้น ไม่ได้เป็นการรับประกันว่าจะสามารถใช้งานร่วมกับอุปกรณ์ดังกล่าวได้อย่างปลอดภัย

4. อัตราความเร็วของอุปกรณ์เสริมนี้ค่อนข้างน้อยต้องเท่ากับความเร็วสูงสุดที่ระบุไว้บนเครื่องมือไฟฟ้านี้ อุปกรณ์เสริมที่ทำงานเร็วกว่าความเร็วที่กำหนดอาจแตกและกระเด็นออก
5. เส้นผ่านศูนย์กลางภายนอกและความหนาของอุปกรณ์เสริมของคุณจะต้องอยู่ในอัตราความสามารถของเครื่องมือไฟฟ้าของคุณ อุปกรณ์เสริมที่มีขนาดไม่เหมาะสมจะไม่สามารถควบคุมหรือป้องกันได้อย่างมีประสิทธิภาพ
6. รูตูดั้งของอุปกรณ์เสริมต้องมีขนาดพอดีกับเกลียวแกนหมุนของเครื่องมือ สำหรับอุปกรณ์เสริมที่ใช้การติดตั้งโดยแกน รูเพลลาของอุปกรณ์เสริมต้องมีขนาดพอดีกับเส้นผ่านศูนย์กลางของแกน อุปกรณ์เสริมที่มีขนาดของส่วนติดตั้งไม่พอดีกับส่วนติดตั้งอุปกรณ์ของเครื่องมือไฟฟ้าจะทำให้ไม่สามารถทำงานได้อย่างสมบูรณ์ เมื่อการสั่นมากเกินไป และอาจทำให้ไม่สามารถควบคุมได้
7. **อย่าใช้อุปกรณ์เสริมที่มีความเสียหาย** ก่อนการใช้งานทุกครั้ง โปรดตรวจสอบอุปกรณ์ต่างๆ เช่น ตรวจสอบการแตกชำรุด ผิดขนาด หรือสึกหรอของแผ่นรองหลังกระดาษทราย หากเครื่องมือไฟฟ้าหรืออุปกรณ์เสริมตกพื้น ให้ตรวจสอบความเสียหายหรือติดตั้งอุปกรณ์เสริมที่ไม่มี ความเสียหาย หลังจากทำการตรวจสอบและติดตั้งอุปกรณ์เสริม ให้ตัวคุณเองและผู้อยู่ใกล้เคียงอยู่ห่างจากระนาบของอุปกรณ์เสริมที่กำลังหมุนและเปิดเครื่องมือไฟฟ้าที่ความเร็วหมุนเปล่าสูงสุดเป็นเวลาหนึ่งนาที โดยปกติแล้ว อุปกรณ์เสริมที่เสียหายจะแตกออกจากกันในระหว่างการทดสอบนี้
8. **สวมอุปกรณ์ป้องกันส่วนบุคคล ใช้หน้ากากป้องกันใบหน้า แวนครอบตานิรภัย หรือแว่นตานิรภัย** โดยขึ้นอยู่กับการใช้งาน สวมหน้ากากป้องกันฝุ่น ที่ป้องกันเสียง ถุงมือ และผ้ากันเปื้อนที่สามารถป้องกันการกระเด็นของเศษชิ้นส่วนขนาดเล็กจากการขัดหรือเศษชิ้นงานได้ตามความเหมาะสม อุปกรณ์ป้องกันดวงตาจะต้องสามารถป้องกันฝุ่นหรือสิ่งสกปรกที่กระเด็นจากการทำงานต่างๆ ได้ หน้ากากป้องกันฝุ่นหรือหน้ากากป้องกันก๊าซพิษจะต้องสามารถกรองอนุภาคที่เกิดจากการทำงานของคุณได้ การฟังเสียงที่ดังมาก เป็นเวลานานอาจทำให้สูญเสียการได้ยิน
9. **รักษาระยะห่างที่ปลอดภัยจากผู้ที่อยู่บริเวณใกล้เคียงพื้นที่ทำงาน** ผู้ที่เข้าพื้นที่ปฏิบัติงานจะต้องสวมอุปกรณ์ป้องกันส่วนบุคคล เศษชิ้นงานที่แตกหรือเศษอุปกรณ์เสริมที่เสียหายอาจกระเด็นออกและทำให้ได้รับบาดเจ็บนอกพื้นที่ปฏิบัติงานได้

10. จัดให้สายไฟอยู่ในบริเวณที่ห่างจากอุปกรณ์เสริมที่กำลังหมุน หากคุณสูญเสียการควบคุม สายไฟอาจจะถูกตัดหรือถูกดึง และทำให้มือหรือแขนของคุณถูกดึงเข้าไปในอุปกรณ์เสริมที่กำลังหมุนได้
11. ห้ามวางเครื่องมือไฟฟ้าลงจนกว่าอุปกรณ์เสริมจะหยุดสนิท อุปกรณ์เสริมที่กำลังหมุนอาจกระทบกับพื้นผิวและทำให้เครื่องมือไฟฟ้าหลุดมือคุณได้
12. อย่าใช้งานเครื่องมือไฟฟ้าในขณะที่ถือเครื่องมือไว้ด้านข้างของลำตัวคุณ เนื่องจากการสัมผัสกับอุปกรณ์เสริมที่กำลังหมุนโดยไม่ตั้งใจนั้นอาจพันกับเสื้อผ้าของคุณและดึงอุปกรณ์เข้าสู่ร่างกายของคุณได้
13. โปรดทำความสะอาดช่องระบายอากาศของเครื่องมือไฟฟ้าอย่างสม่ำเสมอ พัดลมของมอเตอร์จะดูดฝุ่นเข้าไปในตัวเครื่องและการมีผงโลหะในตัวเครื่องมากเกินไปอาจทำให้เกิดอันตรายจากการแฉะไฟฟ้าได้
14. อย่าใช้งานเครื่องมือไฟฟ้าใกล้กับวัสดุไวไฟ เนื่องจากประกายไฟอาจทำให้วัสดุดังกล่าวติดไฟ
15. อย่าใช้อุปกรณ์เสริมที่จำเป็นต้องใช้สารหล่อเย็นที่เป็นของเหลว การใช้สารหล่อเย็นที่เป็นน้ำหรือของเหลวอาจทำให้ไฟช็อตหรือเสียชีวิตด้วยไฟฟ้าได้

การติดกลับและคำเตือนที่เกี่ยวข้อง

การติดกลับคือการตอบสนองโดยฉับพลันเมื่อเกิดการสะดุดหรือติดขัดของล้อ แผ่นรองหลังกระดาษทราย แปรง หรืออุปกรณ์เสริมอื่นๆ ที่กำลังหมุน การสะดุดหรือการติดขัดจะทำให้อุปกรณ์ที่กำลังหมุนบักหัวลงอย่างรวดเร็วซึ่งเป็นสาเหตุให้เครื่องมือไฟฟ้าที่ไม่สามารถควบคุมได้เกิดแรงสะท้อนกลับไปยังทิศทางตรงข้ามกับการหมุน การติดกลับเป็นผลมาจากการใช้เครื่องมือไฟฟ้าผิดจุดประสงค์และ/หรือการใช้ผิดวิธี และสามารถป้องกันได้โดยใช้วิธีการป้องกันดังต่อไปนี้

- a) จับตามจับเครื่องมือไฟฟ้าให้แน่นและจัดตำแหน่งร่างกายและแขนให้สามารถต้านทานแรงติดกลับได้ ใช้มือจับเสริมเสมอหากมี เพื่อให้สามารถควบคุมการติดกลับหรือการสะท้อนของแรงบิดในระหว่างการเริ่มทำงานได้อย่างมีประสิทธิภาพ ผู้ปฏิบัติงานจะสามารถควบคุมแรงสะท้อนของแรงบิดหรือแรงติดกลับได้หากดำเนินการป้องกันอย่างเหมาะสม
- b) ห้ามวางมือใกล้กับอุปกรณ์เสริมที่กำลังหมุนอยู่ อุปกรณ์ดังกล่าวอาจติดกลับใส่มือคุณได้
- c) อย่าให้ร่างกายของคุณอยู่ในบริเวณที่เครื่องมือไฟฟ้าจะเคลื่อนที่ไปหากเกิดการติดกลับขึ้น การติดกลับจะทำให้เครื่องมือสะบัดไปยังทิศทางตรงข้ามกับการเคลื่อนไหวของล้อในจุดที่เกิดการสะดุด

- d) ใช้ความระมัดระวังเป็นพิเศษเมื่อปฏิบัติงานตรงส่วนมุม ขอบที่มีความแหลมคม ฯลฯ หลีกเลี่ยงการกระแทกและการติดขัดของอุปกรณ์เสริม มุม ขอบที่มีความแหลมคม หรือการกระแทกนั้นอาจทำให้เกิดการสะดุดของอุปกรณ์เสริมที่กำลังหมุนและทำให้เสียการควบคุมหรือการติดกลับได้
- e) อย่าติดตั้งใบมีดเลื่อยไม้สำหรับโซ่เลื่อยหรือใบเลื่อยแบบซี่ ใบมีดดังกล่าวมักจะทำให้เกิดการติดกลับและสูญเสียการควบคุม

คำเตือนด้านความปลอดภัยเฉพาะสำหรับการขัดด้วยกระดาษทราย:

- a) อย่าใช้แผ่นกระดาษทรายที่มีขนาดใหญ่เกินไป ปฏิบัติตามคำแนะนำของผู้ผลิตเมื่อเลือกกระดาษทราย กระดาษทรายที่ใหญ่เกินไปจะยื่นออกมาเกินแผ่นกระดาษทรายและจะทำให้เกิดอันตรายจากการฉีกขาด และอาจเป็นสาเหตุของการสะดุด งานขรุขระหรือการติดกลับได้

คำเตือนด้านความปลอดภัยเพิ่มเติม:

16. วัสดุบางอย่างอาจมีสารเคมีที่เป็นพิษ ระวังอย่าสูดดมฝุ่นหรือสัมผัสกับผิวหนัง ปฏิบัติตามข้อมูลด้านความปลอดภัยของผู้ผลิตวัสดุ
17. พื้นที่ทำงานต้องมีกระบายอากาศอย่างเพียงพอเมื่อคุณทำการขัด
18. การใช้เครื่องมือนี้ขัดผลิตภัณฑ์ สี หรือไม้บางชนิดอาจทำให้ผู้ใช้ได้รับฝุ่นที่ประกอบด้วยสารที่เป็นอันตราย ดังนั้นจึงควรใช้อุปกรณ์ป้องกันระบบทางเดินหายใจที่เหมาะสม
19. ตรวจสอบให้แน่ใจว่าจานขัดนั้นไม่ได้สัมผัสกับชิ้นงานก่อนที่จะเปิดสวิตช์
20. อย่าปล่อยให้เครื่องมือทำงานค้างไว้ ใช้งานเครื่องมือในขณะที่ถืออยู่เท่านั้น
21. อย่าสัมผัสกับชิ้นงานทันทีที่ทำงานเสร็จ เนื่องจากชิ้นงานอาจมีความร้อนสูงและทำให้ผิวหนังของคุณไหม้ได้
22. ตรวจสอบว่าชิ้นงานมีสิ่งรองรับอย่างมั่นคง
23. หากสถานที่ปฏิบัติงานร้อนและชื้นมาก หรือเต็มไปด้วยฝุ่นนำไฟฟ้า ให้ใช้เบรกเกอร์ป้องกันกระแสลัดวงจร (30 mA) เพื่อความปลอดภัยของผู้ปฏิบัติงาน
24. อย่าใช้เครื่องมือกับวัสดุที่มีแร่ใยหิน

ปฏิบัติตามคำแนะนำเหล่านี้

⚠ คำเตือน: อย่าให้ความไม่ระมัดระวังหรือความคุ้นเคยกับผลิตภัณฑ์ (จากการใช้งานซ้ำหลายครั้ง) อยู่เหนือการปฏิบัติตามกฎเกณฑ์ด้านความปลอดภัยในการใช้งานผลิตภัณฑ์อย่างเคร่งครัด การใช้งานอย่างไม่เหมาะสมหรือการไม่ปฏิบัติตามกฎเกณฑ์ด้านความปลอดภัยในคู่มือการใช้งานนี้อาจทำให้ได้รับบาดเจ็บร้ายแรง

คำอธิบายการทำงาน

⚠ ข้อควรระวัง:

- ตรวจสอบให้แน่ใจว่าได้ปิดสวิตช์เครื่องมือและถอดปลั๊กออกแล้วก่อนปรับหรือตรวจสอบการทำงานของเครื่องมือเสมอ

การทำงานของสวิตช์

▶ **หมายเลข 1:** 1. ปุ่มล๊อค 2. สวิตช์สั่งงาน

⚠ ข้อควรระวัง:

- ก่อนเสียบปลั๊กเครื่องมือ ให้ตรวจสอบทุกครั้งว่าสวิตช์สั่งงานสามารถทำงานได้อย่างถูกต้อง และกลับไปยังตำแหน่ง "ปิด" เมื่อปล่อย
- สามารถล๊อคสวิตช์ไว้ที่ตำแหน่ง "เปิด" ได้เพื่อให้ผู้ใช้สะดวกในการใช้งานต่อเนื่องเป็นเวลานาน ใช้ความระมัดระวังเมื่อล๊อคเครื่องมือในตำแหน่ง "เปิด" และจับเครื่องมือให้แน่น

เมื่อต้องการเปิดใช้เครื่องมือ ให้ดึงสวิตช์สั่งงาน ปล่อยสวิตช์สั่งงานเพื่อหยุดการทำงาน สำหรับการดำเนินงานต่อเนื่อง ให้กดสวิตช์สั่งงาน แล้วดันปุ่มล๊อคเข้า การหยุดใช้งานเครื่องมือจากตำแหน่งล๊อค ให้กดสวิตช์สั่งงานจนสุดแล้วปล่อย

การประกอบ

⚠ ข้อควรระวัง:

- ตรวจสอบให้แน่ใจเสมอว่าเครื่องมือปิดสวิตช์อยู่และถอดปลั๊กแล้วก่อนดำเนินการใดๆ กับเครื่องมือ

การติดตั้งตามจับด้านข้าง (มือจับเสริม)

▶ **หมายเลข 2:** 1. ตามจับด้านข้าง

⚠ ข้อควรระวัง:

- ตรวจสอบให้แน่ใจทุกครั้งว่าตามจับด้านข้างถูกติดตั้งอย่างมั่นคงแล้วก่อนที่จะทำงาน

ขันตามจับด้านข้างเข้ากับเครื่องมือให้แน่น

การติดตั้งหรือถอดจานขัด

▶ **หมายเลข 3:** 1. น็อตล๊อค 2. จานขัด 3. แผ่นยาง 4. แกนหมุน

ติดตั้งแผ่นยางเข้ากับแกนหมุน ติดตั้งจานขัดเข้ากับแผ่นยางแล้วขันน็อตล๊อคเข้ากับแกนหมุน วิธีการขันแน่นน็อตล๊อค ให้ใช้ประแจจับแกนหมุนไว้แล้วใช้ประแจขันน็อตล๊อคจนทวนเข็มนาฬิกาให้แน่น

▶ **หมายเลข 4:** 1. ประแจขันน็อตล๊อค 2. ประแจ เมื่อต้องการถอดจาน ให้ปฏิบัติย้อนขั้นตอนการติดตั้ง

การใช้งาน

การขัดด้วยกระดาษทราย

▶ **หมายเลข 5**

⚠ ข้อควรระวัง:

- สวมแว่นตาที่ลมนิรภัยหรือหน้ากากป้องกันใบหน้าเสมอเมื่อปฏิบัติงาน
- อย่าเปิดเครื่องมือโดยไม่มีการขัด เนื่องจากอาจทำให้แผ่นรองเสียหายอย่างรุนแรงได้

จับเครื่องมือให้แน่นด้วยมือข้างหนึ่งที่ตามจับของเครื่องมือ และใช้มืออีกข้างหนึ่งที่ตามจับด้านข้างเมื่อใช้งานเครื่องมือ เปิดเครื่องมือแล้วใช้จานขัดกับชิ้นงาน โดยทั่วๆ ไป ให้เอียงจานขัดให้ทำมุมกับชิ้นงาน 15 องศา ใช้แรงกดเล็กน้อยเท่านั้น การใช้แรงกดมากเกินไปจะทำให้ประสิทธิภาพการทำงานลดลงและทำให้จานขัดสึกหรออย่างรวดเร็ว

การบำรุงรักษา

⚠️ ข้อควรระวัง:

- ตรวจสอบให้แน่ใจเสมอว่าปิดสวิตช์เครื่องมือและถอดปลั๊กออกแล้วก่อนพยายามดำเนินการตรวจสอบหรือบำรุงรักษา
- ห้ามใช้แก๊สโซลีน เบนซิน ทินเนอร์ แอลกอฮอล์ หรือสิ่งอื่นที่คล้ายกันนี้ เนื่องจากอาจทำให้สีซีดจางเสียหาย หรือแตกร้าวได้

หมายเหตุ:

- อุปกรณ์บางรายการอาจจะรวมอยู่ในชุดเครื่องมือเป็นอุปกรณ์มาตรฐาน ซึ่งอาจแตกต่างกันไปในแต่ละประเทศ

การเปลี่ยนแปรงคาร์บอน

▶ หมายเลข 6: 1. ซีตจำกัด

ถอดแปรงคาร์บอนออกมาตรวจสอบเป็นประจำ เปลี่ยนแปรงคาร์บอนเมื่อสึกหรอถึงเครื่องหมายซีตจำกัด ดูแลแปรงคาร์บอนให้สะอาดและไม่สัมผัสหลุดออกจากที่ยึด ควรเปลี่ยนแปรงคาร์บอนทั้งสองอันพร้อมกัน ใช้แปรงคาร์บอนแบบเดียวกันเท่านั้น

ใช้ไขควงเพื่อถอดฝาปิดที่ยึดแปรงออก นำแปรงคาร์บอนที่สึกหรอออกมา ใส่แปรงคาร์บอนใหม่เข้าไป และปิดฝาปิดที่ยึดแปรงให้แน่น

▶ หมายเลข 7: 1. ไขควง 2. ฝาปิดที่ยึดแปรง

เพื่อความปลอดภัยและความน่าเชื่อถือของผลิตภัณฑ์ ควรให้ศูนย์บริการที่ได้รับการรับรองจาก Makita เป็นผู้ดำเนินการซ่อมแซม บำรุงรักษา และทำการปรับตั้งอื่นๆ นอกจากนี้ให้ใช้อะไหล่ของแท้จาก Makita เสมอ

อุปกรณ์เสริม

⚠️ ข้อควรระวัง:

- ขอแนะนำให้ใช้อุปกรณ์เสริมหรืออุปกรณ์ต่อพ่วงเหล่านี้กับเครื่องมือ Makita ตามที่ระบุไว้ในคู่มือนี้ การใช้อุปกรณ์เสริมหรืออุปกรณ์ต่อพ่วงอื่นๆ อาจมีความเสี่ยงที่จะได้รับบาดเจ็บ ใช้อุปกรณ์เสริมหรืออุปกรณ์ต่อพ่วงตามวัตถุประสงค์ที่ระบุไว้เท่านั้น

หากต้องการทราบรายละเอียดเพิ่มเติมเกี่ยวกับอุปกรณ์เสริมเหล่านี้ โปรดสอบถามศูนย์บริการ Makita ใกล้บ้านคุณ

- แผ่นยาง
- จานขัด
- น็อตล็อก
- ประแจ 17
- ต้ามจับ 36
- ประแจขันน็อตล็อก 28

Makita Corporation
3-11-8, Sumiyoshi-cho,
Anjo, Aichi 446-8502 Japan
www.makita.com

883077B375
EN, ZHCN, ID, MS,
VI, TH
20191129